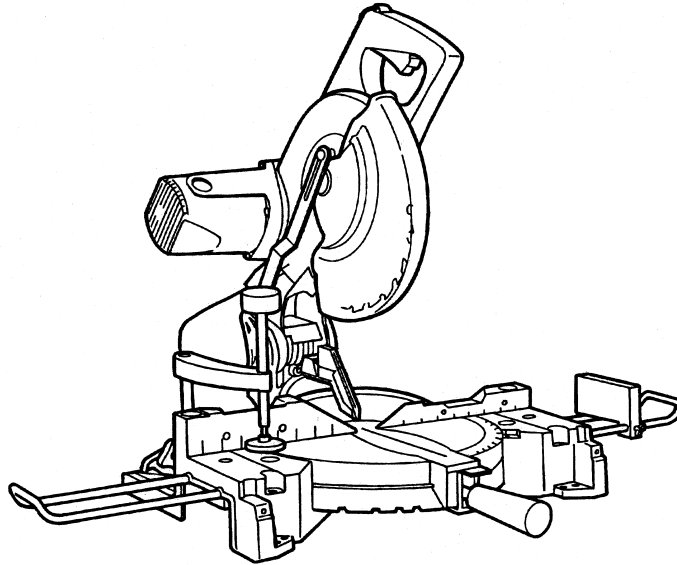


# HITACHI

MODEL  
MODELE  
MODELO

C 10FCD

COMPOUND SAW  
SCIE A ONGLET INCLINABLE  
SIERRA COMPUESTA



## INSTRUCTION MANUAL AND SAFETY INSTRUCTIONS

### **⚠ WARNING**

Improper and unsafe use of this power tool can result in death or serious bodily injury! This manual contains important information about product safety. Please read and understand this manual before operating the power tool. Please keep this manual available for others before they use the power tool.

## MODE D'EMPLOI ET INSTRUCTIONS DE SECURITE

### **⚠ AVERTISSEMENT**

Une utilisation incorrecte et dangereuse de cet outil motorisé peut entraîner la mort ou de sérieuses blessures corporelles!  
Ce mode d'emploi contient d'importantes informations à propos de la sécurité de ce produit. Prière de lire et d'assimiler ce mode d'emploi avant d'utiliser l'outil motorisé. Garder ce mode d'emploi à la disponibilité des autres utilisateurs avant qu'ils utilisent l'outil motorisé.

## MANUAL DE INSTRUCCIONES E INSTRUCCIONES DE SEGURIDAD

### **⚠ ADVERTENCIA**

¡La utilización inapropiada e insegura de esta herramienta eléctrica puede resultar en lesiones serias o en la muerte!  
Este manual contiene información importante sobre la seguridad del producto. Lea y comprenda este manual antes de utilizar la herramienta eléctrica. Guarde este manual para que puedan leerlo otras personas antes de que utilicen la herramienta eléctrica.



DOUBLE INSULATION  
DOUBLE ISOLATION  
AISLAMIENTO DOBLE

## CONTENTS

English	Page		Page
IMPORTANT INFORMATION .....	3	APPLICATIONS .....	10
MEANINGS OF SIGNAL WORDS .....	3	PREPARATION BEFORE OPERATION .....	10
<b>SAFETY</b>		BEFORE USING .....	12
IMPORTANT SAFETY INSTRUCTIONS		BEFORE CUTTING .....	13
FOR USING ALL POWER TOOLS .....	3	PRACTICAL APPLICATIONS .....	14
REPLACEMENT PARTS .....	6	SAW BLADE MOUNTING	
USE PROPER EXTENSION CORD .....	6	AND DISMOUNTING .....	20
DOUBLE INSULATION FOR		OVERLOAD PROTECTIVE DEVICE FOR	
SAFER OPERATION .....	7	POLY-V-BELT .....	21
<b>OPERATION AND MAINTENANCE</b>		MAINTENANCE AND INSPECTION .....	21
NAME OF PARTS .....	8	SERVICE AND REPAIRS .....	22
SPECIFICATIONS .....	9		

## TABLE DES MATIERES

Français	Page		Page
INFORMATIONS IMPORTANTES .....	23	APPLICATIONS .....	30
SIGNIFICATION DES MOTS D'AVERTISSEMENT .....	23	PRÉPARATION AVANT L'UTILISATION .....	30
<b>SECURITE</b>		AVANT L'UTILISATION .....	32
CONSIGNES DE SÉCURITÉ RELATIVES AUX		AVANT LA COUPE .....	33
OUTILS ÉLECTRIQUES .....	23	APPLICATIONS PRATIQUES .....	34
PIECES DE RECHANGE .....	27	INSTALLATION ET RETRAIT DE LA LAME .....	40
UTILISATION D'UN CORDON DE RALLONGE .....	27	DISPOSITIF DE PROTECTION ANTI-SURCHARGE	
DOUBLE ISOLATION POUR UN		DE LA POLY-COURROIE EN V .....	41
FONCTIONNEMENT PLUS SUR .....	27	ENTRETIEN ET INSPECTION .....	41
<b>UTILISATION ET ENTRETIEN</b>		SERVICE APRÈS-VENTE ET RÉPARATIONS .....	42
NOM DES PIÈCES .....	28		
SPECIFICATIONS .....	29		

## ÍNDICE

Español	Página		Página
INFORMACIÓN IMPORTANTE .....	43	APLICACIONES .....	50
SIGNIFICADO DE LAS PALABRAS CLAVE .....	43	PREPARATIVOS PREVIOS A LA OPERACIÓN .....	50
<b>SEGURIDAD</b>		ANTES DE LA UTILIZACIÓN .....	52
NORMAS DE SEGURIDAD PARA LAS		ANTES DEL CORTE .....	53
HERRAMIENTAS ELÉCTRICAS .....	43	APLICACIONES PRÁCTICAS .....	54
PIEZAS DE REEMPLAZO .....	47	MONTAJE Y DESMONTAJE DE LA HOJA DE	
UTILIZACIÓN DE UN CABLE PROLONGADOR .....	47	SIERRA .....	60
AISLAMIENTO DOBLE PARA OFRECER UNA		DISPOSITIVO PROTECTOR CONTRA SOBRECARGA	
OPERACIÓN MÁS SEGURA .....	47	PARA LA CORREA EN V DE POLIVINILO .....	61
<b>OPERACIÓN Y MANTENIMIENTO</b>		MANTENIMIENTO E INSPECCIÓN .....	61
NOMENCLATURA DE PARTES .....	48	SERVICIO Y REPARACIONES .....	62
ESPECIFICACIONES .....	49		

## **IMPORTANT INFORMATION**

Read and understand all of the operating instructions, safety precautions and warnings in the Manual before operating or maintaining this power tool.

Most accidents that result from tool operation and maintenance are caused by the failure to observe basic safety rules or precautions. An accident can often be avoided by recognizing a potentially hazardous situation before it occurs and by observing appropriate safety procedures.

Basic safety precautions are outlined in the SAFETY section of this manual and in the sections which contain the operation and maintenance instructions.

Hazards that must be avoided to prevent bodily injury or machine damage are identified by WARNINGS on the tool and in this Manual.

Never use this tool in a manner that has not been specifically recommended by HITACHI, unless you first confirm that the planned use will be safe for you and others.

## **MEANINGS OF SIGNAL WORDS**

**⚠ WARNING:** indicates a potentially hazardous situation which, if ignored, could result in serious personal injury.

**⚠ CAUTION:** indicates a hazardous situation which, if ignored, could result in a moderate personal injury, or could cause machine damage.

**NOTE** emphasizes essential information.

# **SAFETY**

## **IMPORTANT SAFETY INSTRUCTIONS FOR USING ALL POWER TOOLS**

**READ ALL OF THE WARNINGS AND OPERATING INSTRUCTIONS IN THIS MANUAL BEFORE OPERATING OR MAINTAINING THIS TOOL:**

**⚠ WARNING:** When using this electric tool, take all necessary precautions to minimize the risk of electric shock or other personal injury.  
In particular, always comply with the following safety rules:

- 1. ALWAYS KEEP GUARDS IN PLACE** and in working order.
- 2. ALWAYS REMOVE ADJUSTING KEYS AND WRENCHES BEFORE STARTING TOOL.** Always confirm that all keys and adjusting wrenches have been removed from the tool before it is turned on.
- 3. ALWAYS KEEP WORK AREA CLEAN.** Avoid injuries by not cluttering the work areas and work benches.
- 4. NEVER USE TOOL IN HAZARDOUS ENVIRONMENTS.** Never use the power tool in damp or wet places and never expose it to rain. Always keep the work area well lighted.
- 5. NEVER PERMIT CHILDREN OR OTHERS TO LOITER NEAR THE WORK AREA.** Keep all people (especially children) away from the work area. Always unplug unattended tools and keep the work place tamper-proof by installing locks on the doors and on the master switches.
- 6. NEVER FORCE THE TOOL.** It will do the job better and more safely if it is operated at the rate for which it was designed.
- 7. ALWAYS USE THE RIGHT TOOLS.** Never force a tool or an attachment to do a job for which it was not designed.
- 8. ALWAYS WEAR PROPER APPAREL WHEN WORKING WITH THE TOOL.** Never wear loose clothing, gloves, neckties, rings, bracelets or other jewelry which may get caught in the moving parts. Always wear non-slip footwear, preferably with steel toes. Wear protective hair covering to contain long hair.
- 9. ALWAYS USE EYE PROTECTION WHEN WORKING WITH THE TOOL TO PREVENT EYE INJURY.** Ordinary eyeglasses do not provide adequate protection because they have only impact resistant lenses, they are NOT safety glasses. Also, use a face mask for additional safety and wear a dust mask if the cutting operation produces dust.

10. **ALWAYS SECURE THE WORKPIECE TO THE FENCE OR THE TABLE.** Use clamps or a vise to hold the workpiece in place. It is safer than using your hand and it frees both hands to operate the tool.
11. **NEVER OVERREACH.** Always keep proper footing and balance when working with the tool.
12. **ALWAYS MAINTAIN TOOLS WITH CARE.** Always keep tools sharp and clean for the best and safest performance. Always follow instructions for lubricating the tool and for changing accessories.
13. **ALWAYS DISCONNECT THE TOOL** before servicing and before changing blades or other accessories.
14. **NEVER RISK UNINTENTIONAL STARTING WHEN PLUGGING IN THE TOOL.** Always confirm that the switch is in the OFF position before inserting the power plug into the receptacle.
15. **ALWAYS USE RECOMMENDED ACCESSORIES ONLY WHEN OPERATING THIS TOOL.** Consult this instruction manual for descriptions of recommended accessories. To avoid personal injuries, use only recommended accessories in conjunction with this tool.
16. **NEVER STAND ON THE TOOL.** Serious injury could occur if the tool is tipped or if unintentional contact with the saw blade is made.
17. **ALWAYS CHECK FOR DAMAGED PARTS BEFORE USING THE TOOL.** Always check the guard and all other components for damage before using the tool to assure that they will function properly. Check all moving parts for proper alignment, freedom from binding and other conditions that might affect proper operation. Always repair or replace any damaged guards or other damaged components before using the tool.
18. **ALWAYS CONFIRM THE ROTATION DIRECTION OF THE BLADE BEFORE USING THE TOOL.** Always feed work into the tool against the rotation direction of the blade in order to prevent possible injury.
19. **NEVER LEAVE THE TOOL RUNNING WHILE UNATTENDED. TURN POWER OFF.** Do not leave tool until it comes to a complete stop. Always turn the power off when the tool is not in use. Always unplug the power cord when the tool is not in use.
20. This tool was not designed to be used for mass-production applications and should not be used in mass-production environments.
21. When servicing this tool, use only authorized replacement parts.
22. Apply 115 volts AC only to this tool. Applying the wrong voltage or applying DC power can cause the POWER TOOL to operate improperly and cause serious personal injury or damage to the tool.
23. Never raise the saw blade from the workpiece until it has first come to a complete stop.
24. Always use outboard stands to provide support for long workpieces that overhang the table of the compound saw.
25. **POLARIZED PLUGS** To reduce the risk of electric shock, this equipment has a polarized plug (one blade is wider than the other). This plug will fit in a polarized outlet only one way. If the plug does not fit fully in the outlet, reverse the plug. If it still does not fit, contact a qualified electrician to install the proper outlet. Do not change the plug in any way.

## Specific Safety Rules for Use of this Power Tool

**⚠ WARNING:** The following specific operating instructions must be observed when using this POWER TOOL in order to avoid injury:

### DO's

#### **ALWAYS OBSERVE THE FOLLOWING RULES TO ASSURE SAFE USE OF THIS TOOL:**


1. Review this Manual and familiarize yourself with the safety rules and operating instructions for this POWER TOOL before attempting to use it.
2. Always confirm that the POWER TOOL is clean before using it.
3. Always wear snug-fitting clothing, non-skid footwear (preferably with steel toes) and eye protection when operating the POWER TOOL.
4. Always handle the POWER TOOL carefully. If the POWER TOOL falls or strikes against a hard object, it might become deformed or cracked or sustain other damage.
5. Always cease operating the saw at once, if you notice any abnormality whatsoever.
6. Always confirm that all components are mounted properly and securely before using the tool.

7. When replacing the saw blade, always confirm that the rpm rating of the new blade is correct for use on this tool.
8. Always shut off the power and wait for the saw blade to completely stop rotating before doing any maintenance or adjustments.
9. Always clamp or otherwise secure the workpiece to the fence; otherwise the workpiece might be thrust from the table and cause bodily harm.
10. During miter or bevel cutting, always wait for the rotation of the blade to stop completely before lifting the saw blade.
11. Always make a trial run first before attempting any new use of the saw.
12. Always handle the saw blade with care when dismounting and mounting it.
13. Always confirm that the workpiece is free of nails or other foreign objects before beginning a cut.
14. Always keep your hands out of the path of the saw blade.
15. Always confirm that the safety cover is in the proper place before using the saw.
16. Inspect the tool power cords periodically.
17. Always confirm that the proper lengths and types of extension cords are being utilized, if necessary, before starting the tool.
18. Always confirm that the motor air vents are fully open before using the tool.
19. Always wait until the motor has reached full speed before starting a cut.
20. Always keep the handles dry, clean and free of oil and grease. Hold the tool firmly when in use.
21. Always use outboard stands to provide support for long workpieces that overhang the table of the compound saw.
22. Always operate the tool after ensuring the workpiece is fixed properly with a vise assembly.
23. The operating instructions provided with the tool shall direct the user to secure the tool to supporting structure if, during normal operation, there is a tendency for the tool to tip over, slide, or walk on the supporting surface.

## **DON'Ts**

### **NEVER VIOLATE THE FOLLOWING RULES TO ASSURE SAFE USE OF THIS TOOL:**

1. Never operate the POWER TOOL unless you fully understand the operating instructions contained in this Manual.
2. Never leave the POWER TOOL unattended without first unplugging the power cord.
3. Never operate the POWER TOOL when you are tired, after you have taken any medications, or have consumed any alcoholic beverages.
4. Never use the POWER TOOL for applications not specified in the instruction manual.
5. Never operate the tool while wearing loose clothing, a necktie or jewelry, or while your hair is uncovered, to protect against getting caught in the moving machinery.
6. Never reach around the saw blade.
7. Never touch any moving parts, including the blade, while the saw is in use.
8. Never remove any safety devices or blade guards; use of the tool without them would be hazardous.
9. Never lock the safety cover; always confirm that it slides smoothly before using the tool.
10. Never damage the power cord of the tool.
11. Never attempt to move a plugged-in POWER TOOL while your finger is on the starting switch.
12. Never use the POWER TOOL if the starting switch does not turn on and off properly.
13. Never use the POWER TOOL if the plastic housing or the handle is cracked or deformed.
14. Never use the POWER TOOL near flammable liquids or gases because sparking can cause an explosion.
15. Never clean plastic components with solvents because the plastic may dissolve.
16. Never operate the saw unless all the blade guards are in place.

17. Never raise the saw blade from the workpiece until it has first come to a complete stop.
18. Never place your limbs inside of the line next to warning sign "  " while the tool is being operated. This may cause hazardous conditions.
19. Never use abrasive type blades on this saw.
20. Never expose to rain or use in damp locations.
21. Never cut ferrous metals or masonry.

## WARNING

### FOR YOUR OWN SAFETY READ THIS INSTRUCTION MANUAL BEFORE OPERATING THE COMPOUND SAW

1. Always wear eye protection when using the compound saw.
2. Always keep hands out of the path of the saw blade.
3. Never operate the saw without the guards in place.
4. Never perform any freehand operation with the compound saw.
5. Never reach around the saw blade.
6. Always turn off tool and wait for saw blade to stop before moving workpiece or changing settings.
7. Always disconnect power before changing blade or servicing.
8. Saw blade diameter is 10" (255mm).
9. No load speed is 3800rpm.

## REPLACEMENT PARTS

When servicing use only identical replacement parts.  
Repairs should be conducted only by a Hitachi authorized service center.

## USE PROPER EXTENSION CORD

Make sure your extension cord is in good condition. When using an extension cord, be sure to use one heavy enough to carry the current your product will draw. An undersized cord will cause a drop in line voltage resulting in loss of power and overheating. Table shows the correct size to use depending on cord length and nameplate ampere rating. If in doubt, use the next heavier gage. The smaller the gage number, the heavier the cord.

		MINIMUM GAGE FOR CORD SETS			
		Total Length of Cord in Feet (Meter)			
		0 – 25 (0 – 7.6)	26 – 50 (7.9 – 15.2)	51 – 100 (15.5 – 30.5)	101 – 150 (30.8 – 45.7)
Ampere More Than	Rating Not More Than	AWG			
	0 – 6	18	16	16	14
	6 – 10	18	16	14	12
	10 – 12	16	16	14	12
	12 – 16	14	12	Not Recommended	

**⚠ WARNING:** Avoid electrical shock hazard. Never use this tool with a damaged or frayed electrical cord or extension cord.  
Inspect all electrical cords regularly. Never use in or near water or in any environment where electric shock is possible.

## **DOUBLE INSULATION FOR SAFER OPERATION**

To ensure safer operation of this power tool, HITACHI has adopted a double insulation design. "Double insulation" means that two physically separated insulation systems have been used to insulate the electrically conductive materials connected to the power supply from the outer frame handled by the operator. Therefore, either the symbol "⏏" or the words and "Double insulation" appear on the power tool or on the nameplate. Although this system has no external grounding, you must still follow the normal electrical safety precautions given in this Instruction Manual, including not using the power tool in wet environments.

To keep the double insulation system effective, follow these precautions:

- \* Only HITACHI AUTHORIZED SERVICE CENTER should disassemble or assemble this power tool, and only genuine HITACHI replacement parts should be installed.
- \* Clean the exterior of the power tool only with a soft cloth moistened with soapy water and dry thoroughly.
- \* Never use solvents, gasoline or thinners on plastic components; otherwise the plastic may dissolve.

**SAVE THESE INSTRUCTIONS  
AND  
MAKE THEM AVAILABLE TO  
OTHER USERS OF THIS TOOL!**

# OPERATION AND MAINTENANCE

**NOTE:** The information contained in this Instruction Manual is designed to assist you in the safe operation and maintenance of the power tool. Some illustrations in this Instruction Manual may show details or attachments that differ from those on your own power tool.

## NAME OF PARTS

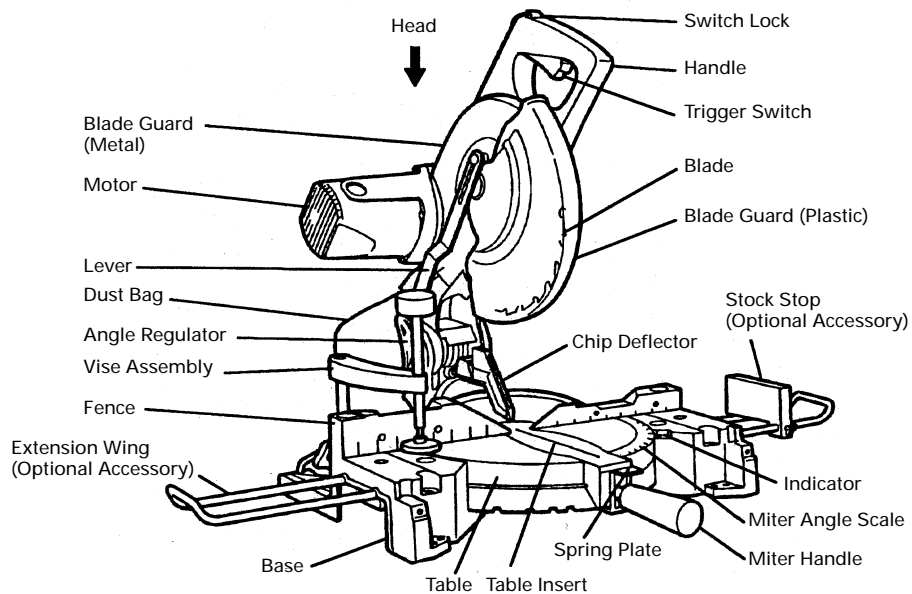


Fig. 1

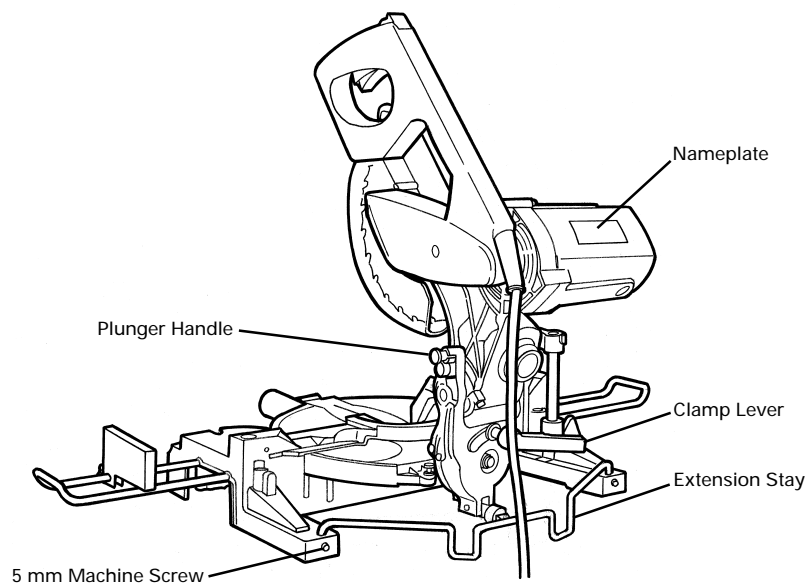


Fig. 2



## SPECIFICATIONS

Item	Model	C 10FCD			
Motor	Type	Series commutator motor			
	Power source	Single-phase AC 60Hz			
	Voltage (Volts)	115			
	Full-load current (Amp)	13			
Applicable saw blade	Outside Dia. 10" (255 mm) Hole Dia. 5/8" (15.9 mm)				
No load speed	3800rpm				
Max. sawing dimensions	Bevel 0°	Miter 0°	Max. Height	2-23/32" (69 mm)	(*Max. Height 3-1/2" (89 mm) *Max. Width 3-5/8" (92 mm)
			Max. Width	5-5/8" (143 mm)	
		Miter 45°	Max. Height	2-23/32" (69 mm)	
			Max. Width	3-7/8" (98 mm)	
	Left Bevel 45°	Miter 0°	Max. Height	1-25/32" (45 mm)	
			Max. Width	5-5/8" (143 mm)	
		Miter 45°	Max. Height	1-25/32" (45 mm)	
			Max. Width	3-7/8" (98 mm)	
Right Bevel 45°	Miter 0°	Max. Height	15/16" (24 mm)		
		Max. Width	4-3/4" (120 mm)		
	Miter 45°	Max. Height	15/16" (24 mm)		
		Max. Width	3-11/32" (85 mm)		
Miter sawing range	Left 0° – 45°, Right 0° – 45°				
Bevel sawing range	Left 0° – 45°, Right 0° – 45°				
Compound sawing range	Left (Bevel) 0° – 45°, Left and Right (Miter) 0° – 45° Right (Bevel) 0° – 45°, Left and Right (Miter) 0° – 45°				
Net weight	28.7 lbs. (13 kg)				
Cord	2 Conductor type cabtire cable 6.6 ft (2 m)				

\*Note: 11/16" (17 mm) thick spacer board is required to be attached to the fence.

## APPLICATIONS

Wood, plywood, color board, soft fabric board, hard board similar materials and aluminum sash.

## PREPARATION BEFORE OPERATION

Make the following preparations before operating the power tool:

### 1. Installation

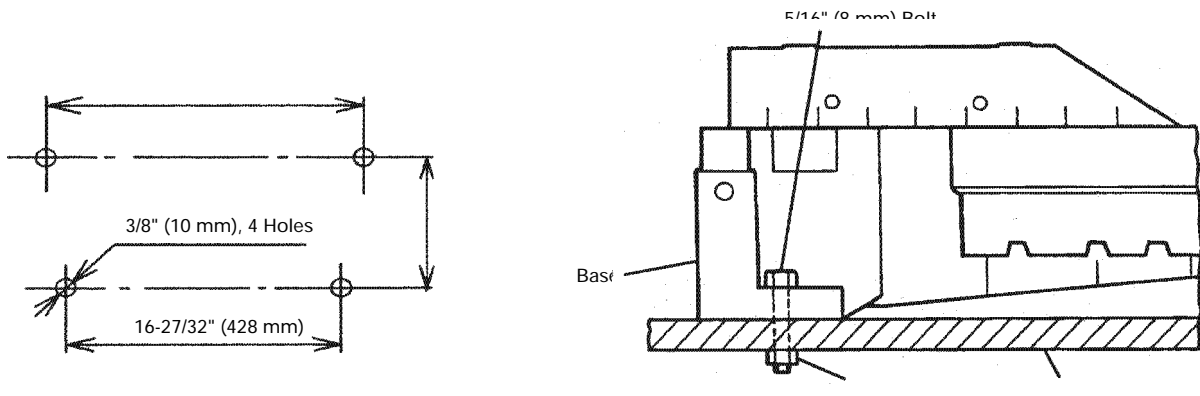


Fig. 4

Attach the power tool to a level, horizontal work bench in accordance with Fig. 4. Select 5/16" (8 mm) diameter bolts suitable in length for the thickness of the work bench. Bolt length should be at least 2" (50 mm) plus the thickness of the work bench. For example, use 5/16" (8 mm) 3" (75 mm) bolts for a 1" (25 mm) thick work bench. The extension stay attached to the rear of the base (see Fig. 2) helps stabilize the power tool.

## 2. Releasing the plunger handle

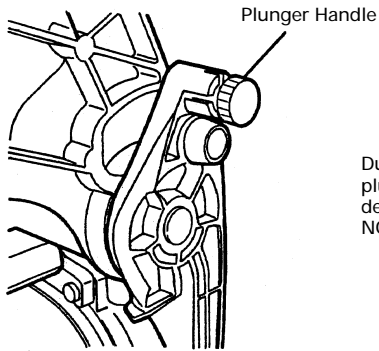


Fig. 5-a

During transport, fit the plunger handle into the deep slot.  
NOTE: This position is not be used for any cutting operation.

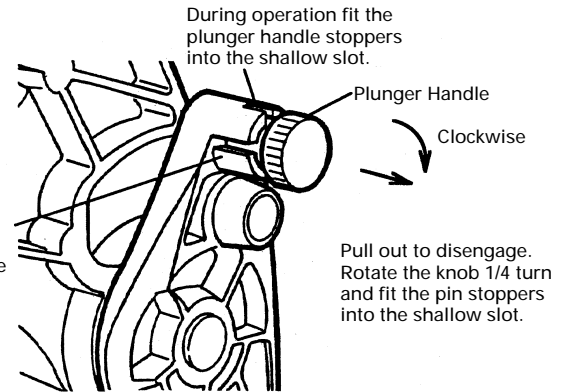


Fig. 5-b

When the power tool is prepared for shipping, its main parts are secured by a plunger handle. Move the handle slightly so that the plunger handle can be disengaged and adjusted as indicated in Fig. 5-b.

**NOTE:** Lowering the handle slightly will enable you to disengage the plunger handle more easily and safely.

The lock position of the plunger handle is for carrying and storage only.

For transportation purpose, grasp the handle (see Fig. 1) with one hand and hold the base at the left end grip section with the other hand to carry.

## 3. Installing the dust bag, miter handle, extension wing, stock stop and vises.

(The extension wing and stock stop are optional accessories).

Attach the dust bag, miter handle, extension wing, stock stop and vise assembly as indicated in Fig. 1 and Fig. 2.

### (1) Assembly of clamp lever

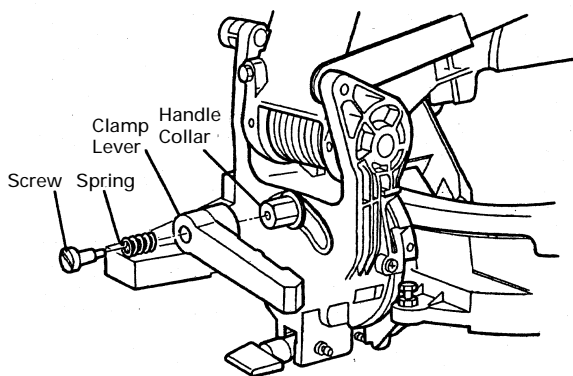


Fig. 6

- ① Insert spring and screw into the hole of the clamp lever as shown in Fig. 6.

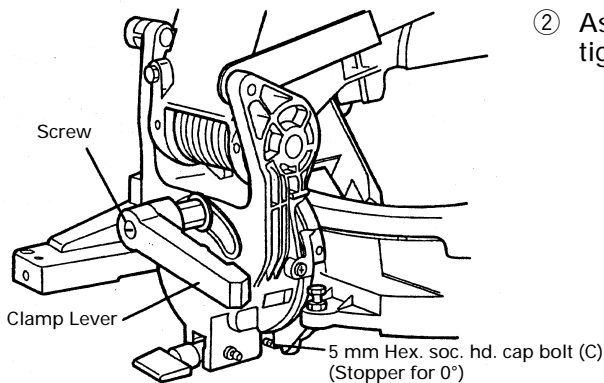


Fig. 7

- ② Assemble the clamp lever to the handle collar, then tighten the screw as shown in Fig. 7.

## 4. Installing the extension stay

(1) Insert the extension stay into the hole of the base.

(2) Fasten the two 5 mm machine screws and fix an extension stay as indicated in Fig. 2.

## BEFORE USING

1. Make sure the power source is appropriate for the tool.

**⚠ WARNING:** Never connect the power tool unless the available AC power source is of the same voltage as that specified on the nameplate of the tool. Never connect this power tool to a DC power source.

2. Make sure the trigger switch is turned OFF.

**⚠ WARNING:** If the power cord is connected to the power source with the trigger switch turned ON the power tool will start suddenly and can cause a serious accident.

3. Check the saw blade for visible defects.

Confirm that the saw blade is free of cracks or other visible damage.

4. Confirm that the saw blade is attached securely to the power tool.

Using the supplied wrench, tighten the bolt on the arbor shaft to secure the saw blade. For details, see Fig. 36-a, Fig. 36-b and Fig. 36-c in the section on "SAW BLADE MOUNTING AND DISMOUNTING".

5. Check the blade guards for proper operation.

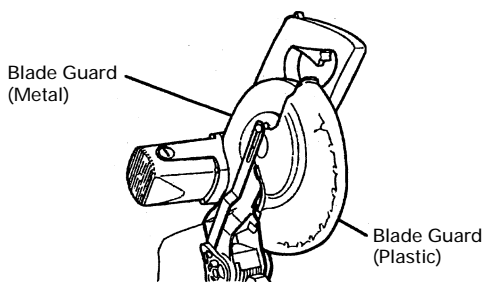


Fig. 8

Blade guards are designed to protect the operator from coming into contact with the saw blade during operation of the tool. Always check that the blade guard (plastic) moves smoothly and covers the saw blade properly.

**⚠ WARNING:** Never operate the power tool if the blade guard (plastic) does not function smoothly.

6. Confirm the position of the spindle lock before using the tool.

After installing the saw blade, confirm that the spindle lock has been returned to the retract position before using the power tool (see Fig. 36-a).

7. Check the lower limit position of the Saw Blade.

Although it was adjusted before shipment, carefully check the height of the saw blade. Confirm that the saw blade can be lowered 1-1/32" to 1-3/32" (26 mm to 28 mm) below the table insert. For details, see the section on "Checking the saw blade lower limit position".

8. Check the Power Receptacle.

To prevent overheating, accidental stopping or intermittent operation, confirm that the power cord plug fits properly in the electrical receptacle and does not fall out after it is inserted. Repair or replace the receptacle if it is faulty.

9. Confirm the tool's power cord is not damaged.

Repair or replace the power cord if an inspection indicates that it is damaged.

## AFTER CONNECTING THE POWER PLUG TO AN APPROPRIATE AC POWER SOURCE, CHECK THE OPERATION OF THE TOOL AS FOLLOWS:

10. Trial Run

After confirming that no one is standing behind, the power tool start and confirm that no operating abnormalities exist before attempting a cutting operation.

11. Inspect the rotating stability of the saw blade.

For precise cutting, rotate the saw blade and check for deflection to confirm that the blade is not noticeably unstable; otherwise vibrations might occur and cause an accident.

## BEFORE CUTTING

### 1. Cutting a groove on the table insert.

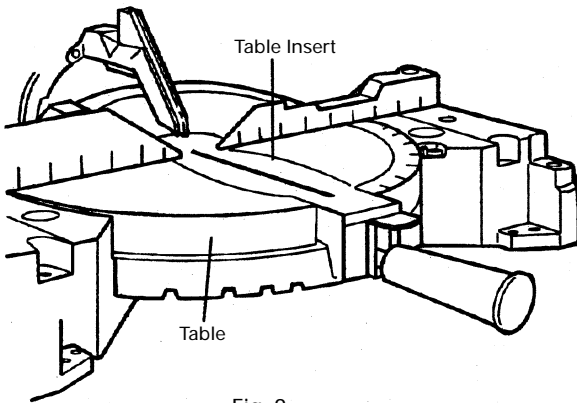


Fig. 9

A groove has to be cut in the table insert, before starting operation. Secure a piece of wood about 5-1/8" (130 mm) wide to the table with the vise assembly, to prevent the breakage of the table insert.

After the switch has been turned on and the saw blade has reached maximum speed, slowly lower the handle to cut a groove on the table insert.

**⚠ CAUTION:** Do not cut the groove too quickly; otherwise the table insert might become damaged.

### 2. Checking the saw blade lower limit position

**⚠ WARNING:** To prevent an accident or personal injury, always turn off the trigger switch and disconnect the power plug from the receptacle before adjustment.

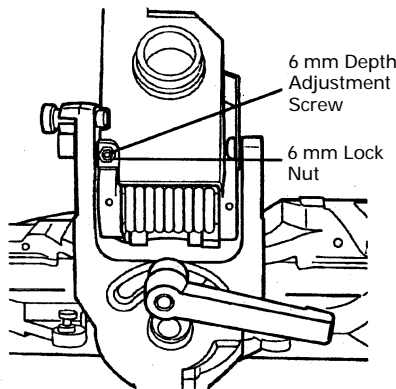


Fig. 10

Check that the saw blade can be lowered 1-1/32" to 1-3/32" (26 mm to 28 mm) below the table insert.

If necessary, adjust as follows:

- (1) Loosen the 6 mm lock nut on the 6 mm depth adjustment screw.
- (2) Turn the 6 mm depth adjustment screw as necessary to set the lower limit position. The saw blade goes up when the 6 mm depth adjustment screw is turned clockwise and down when it is turned counterclockwise.
- (3) Once the adjustment is complete, fully tighten the 6 mm lock nut.

**NOTE:** Before tightening the 6 mm lock nut, confirm that the saw blade is adjusted so that it will not cut into the table.

### 3. Oblique angle

Before the power tool is shipped from the factory, it is adjusted for 0°, right angle, left 45° bevel cutting angle and right 45° bevel cutting angle with the 6 mm bolt (A), 6 mm bolt (B) and the 5 mm hex. soc. hd. cap bolt (C) (see Fig. 7).

When changing the adjustment, change the height of the 6 mm bolt (A), 6 mm bolt (B) or the 5 mm hex. soc. hd. cap bolt (C) (see Fig. 7) by turning them.

(Maximum bevel cutting angle is 45°).

When changing the bevel angle to the right 45°, pull up the locating bar on the direction shown in Fig. 12 and incline the motor head to the right.

When adjusting the motor head to 0°, always return the locating bar to its initial position.

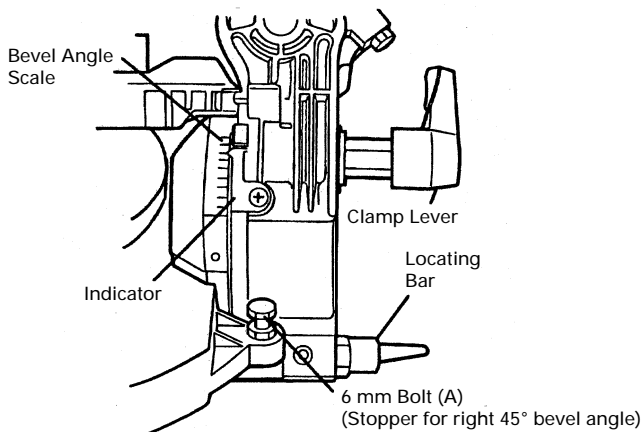


Fig. 11

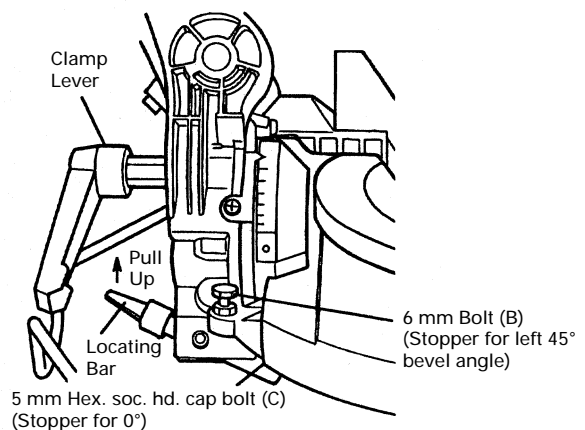


Fig. 12

#### 4. Securing the workpiece

**⚠ WARNING:** Always clamp or vise to secure the workpiece to the fence; otherwise the workpiece might be thrust from the table and cause bodily harm.

#### 5. Installing the extension wings (Optional accessory)

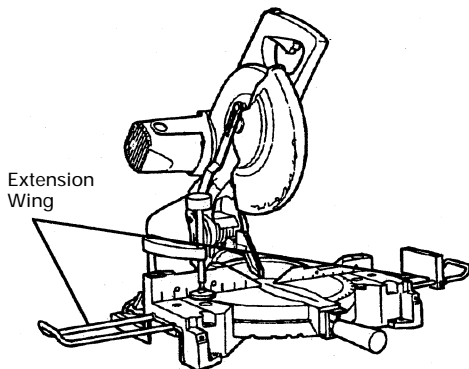


Fig. 13

The extension wings help keep longer workpieces stable and in place during the cutting operation.

- (1) Insert the 8 mm screw into the hole located on the base.
- (2) Set the lock support rod under the side of the base.
- (3) Then with the 8 mm screw for the lock support rod temporary stop.
- (4) Insert an extension wing into the two holes of the lock support rod.
- (5) Push an extension wing until it contact with the base.
- (6) Fasten the 8 mm screw and fix an extension wing.

**⚠ CAUTION:** When transporting or carrying the tool, do not grasp the extension wing. There is the danger of the extension wing slipping out of the base. Grasp the handle (see Fig. 1) instead of the extension wing.

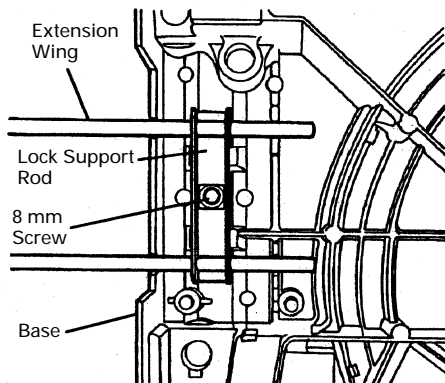


Fig. 14

#### 6. Stock stop for precision cutting (Stock stop is optional accessory)

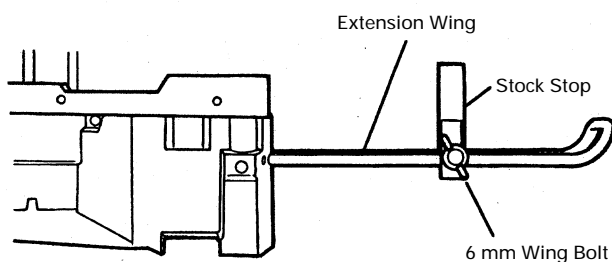


Fig. 15

The stock stop facilitates continuous precision cutting in lengths of 10" to 16-21/32" (253 mm to 423 mm). To install the stock stop, attach it to the extension wing with the 6 mm wing bolt as shown in Fig. 15.

## PRACTICAL APPLICATIONS

**⚠ WARNING:** \* To avoid personal injury, never remove or place a workpiece on the table while the tool is being operated.

\* Never place your limbs inside of the line next to warning sign while the tool is being operated. This may cause hazardous conditions (see Fig. 16).

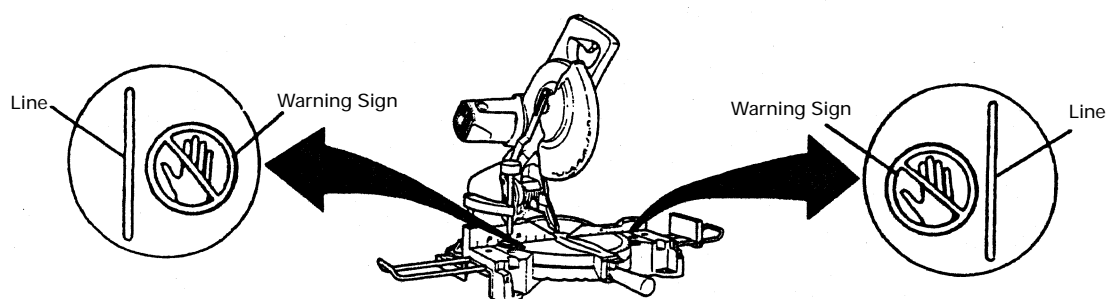


Fig. 16

## 1. Switch operation

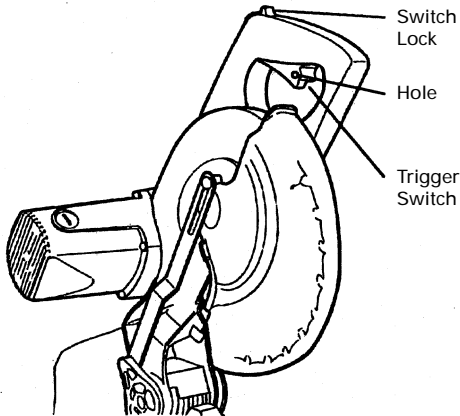


Fig. 17

The switch lock is designed to prevent inadvertent operation of the power tool.

To operate the power tool, it is necessary to first push up the switch lock as shown in Fig. 17.

The trigger switch will not operate unless the switch lock has been pushed up. When the trigger switch is released, the power goes off and the switch lock automatically returns to its initial position, locking the trigger switch.

**⚠ WARNING:** This will ensure that the power tool cannot be turned on accidentally or by someone (especially a child) who is not qualified to use the power tool. To prevent unauthorized operation of this tool, insert a padlock through the hole in the switch trigger.

## 2. Using the vise assembly (Standard accessory)

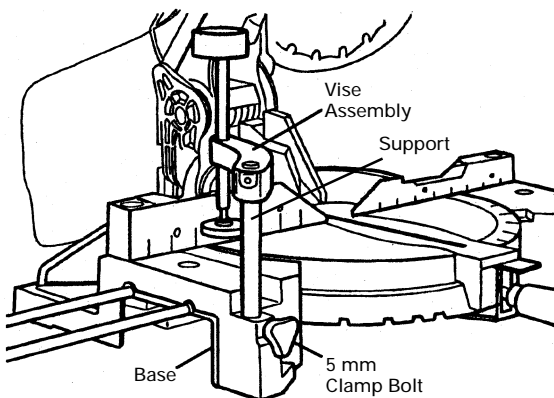


Fig. 18

(1) The vise assembly can be mounted on either the left side base or the right side base, and can be raised or lowered according to the height of the workpiece.

① Insert support of vise assembly into the hole located on either the left side base or the right side base.

② Then tighten 5 mm clamp bolt as shown in Fig. 18.

**NOTE:** The support has two locking grooves into which the tip of the 5 mm clamp bolt is designed to fit, to lock the vise assembly in the desired position.

(2) The vise assembly can be mounted on either the left side fence or the right side fence, and can be raised or lowered according to the height of the workpiece.

① Insert support of vise assembly into the hole located on either the left side fence or the right side fence.

② Then tighten 5 mm clamp bolt as shown in Fig. 19.

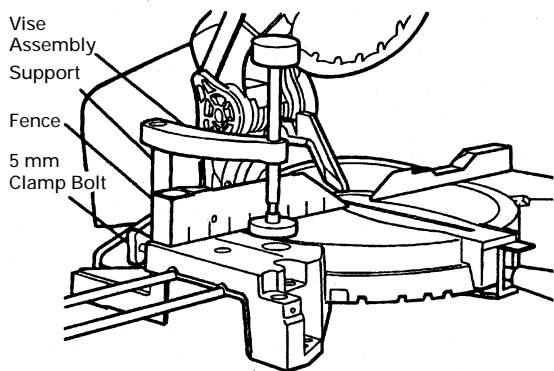


Fig. 19

**⚠ CAUTION:** Always confirm that the motor head (see Fig. 1) does not contact the vise assembly when it is lowered for cutting. If there is any danger that it may do so, loosen the 5 mm clamp bolt slightly and move the vise assembly to a position where it will not contact the saw blade.

### 3. Using the vise assembly (Optional accessory)

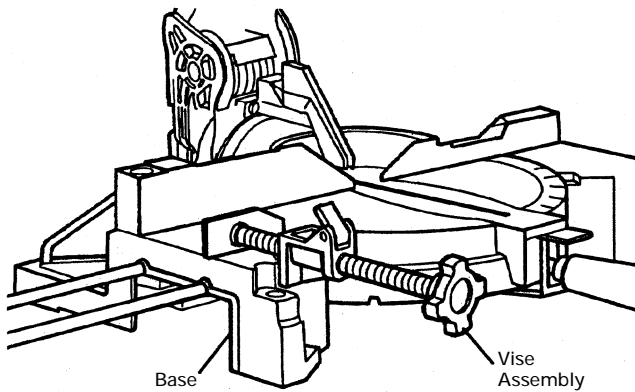


Fig. 20

- (1) The vise assembly can be mounted on either the left side base or the right side base, and can be moved back and forth according to the width of the workpiece. Insert support of vise assembly into the hole located on either the left side base or the right side of the base as shown in Fig. 20.

### 4. Cutting Operation

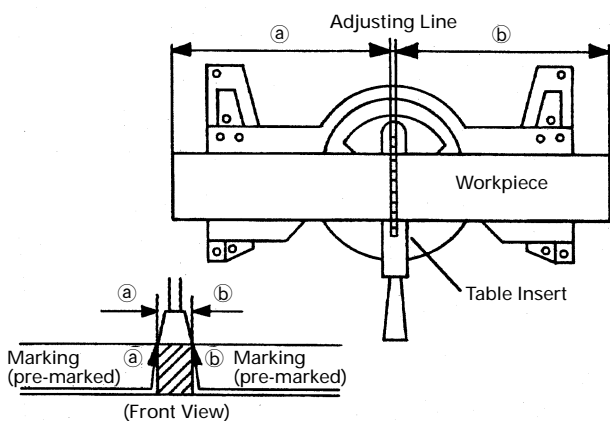


Fig. 21

- (1) As shown in Fig. 21 the width of the saw blade is the width of the cut. Therefore, slide the workpiece to the right (viewed from the operator's position) when length **b** is desired, or to the left when length **a** is desired.
- (2) Once the saw blade reaches maximum speed, push the handle down carefully until the saw blade approaches the workpiece.
- (3) Once the saw blade contacts the workpiece, push the handle down gradually to cut into the workpiece.
- (4) After cutting the workpiece to the desired depth, turn the power tool OFF and let the saw blade stop completely before raising the handle from the workpiece to return it to the full retract position.

- ⚠ CAUTION:**
- \* Increased pressure on the handle will not increase the cutting speed. On the contrary, too much pressure may result in overload of the motor and/or decreased cutting efficiency.
  - \* If the handle is pressed down with excessive or lateral force, the saw blade may vibrate during the cutting operation and cause unwanted cutting marks on the workpiece, thus reducing the quality of the cut. Accordingly, press the handle down gently and carefully.

- ⚠ WARNING:**
- \* Confirm that the trigger switch is turned OFF and the power plug has been removed from the receptacle whenever the tool is not in use.

### 5. Miter cutting procedures

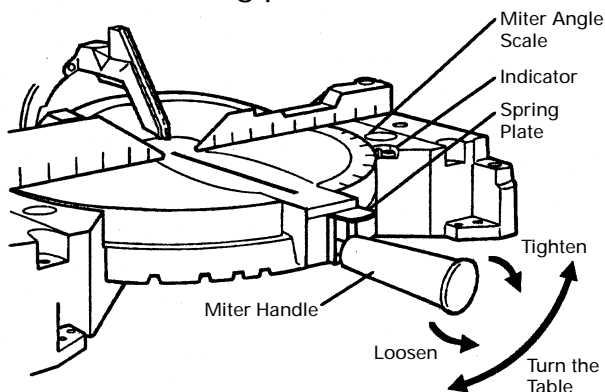


Fig. 22

- (1) Loosen the miter handle and push the spring plate.
- (2) Adjust the table until the indicator aligns with the desired setting on the miter angle scale as shown in Fig. 22.
- (3) Re-tighten the miter handle to secure the table in the desired position.

- NOTE:**
- \* Positive stops are provided at the right and left of the 0° center setting, at 15°, 22.5°, 31.6°, and 45° settings. Check that the miter angle scale and the tip of the indicator are properly aligned.
  - \* Operation of the power tool with the miter angle scale and indicator out of alignment, or with the miter handle not properly tightened, will result in poor cutting precision.



## 6. Bevel cutting procedures

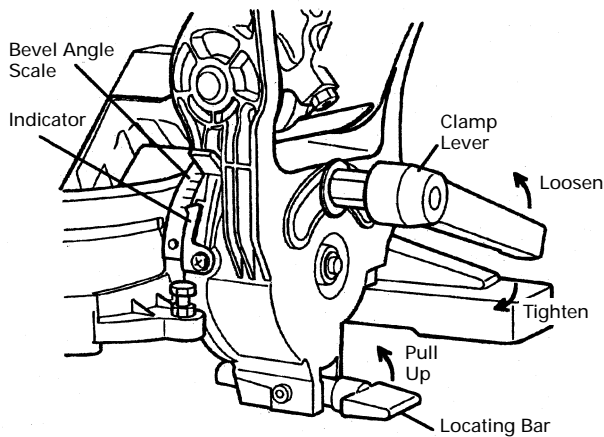


Fig. 23

- (1) Loosen the clamp lever and bevel the saw blade to the left or to the right.  
When tilting the motor head to the right, pull up the locating bar as indicated in Fig. 23.
- (2) Adjust the bevel angle to the desired setting while watching the bevel angle scale and indicator, then secure the clamp lever.

**⚠ WARNING:** When the workpiece is secured on the left or right side of the blade, the short cut-off portion will come to rest on the right or left side of the saw blade. Always turn the power off and let the saw blade stop completely before raising the handle from the workpiece.  
If the handle is raised while the saw blade is still rotating, the cut-off piece may become jammed against the saw blade causing fragments to scatter about dangerously.

## 7. Compound cutting procedures

For compound cutting, follow the instructions in paragraphs 5 and 6 above.

For maximum dimensions for compound cutting, refer to "SPECIFICATIONS" table on page 9.

**⚠ CAUTION:** Always secure the workpiece with the right or left hand side for compound cutting. Never rotate the table to the right for compound cutting (left bevel), because the saw blade might then contact the clamp or vise that secures the workpiece, and cause personal injury or damage.  
Never rotate the table to the left for compound cutting (right bevel), because the saw blade might then contact the clamp or vise that secures the workpiece, and cause personal injury or damage.

## 8. Crown molding cutting procedures

Fig. 24 shows two common crown molding types having angles of ( $\theta$ ) 38° and 45°.

For the typical crown molding fittings, see Fig. 25.

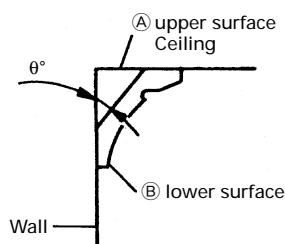


Fig. 24

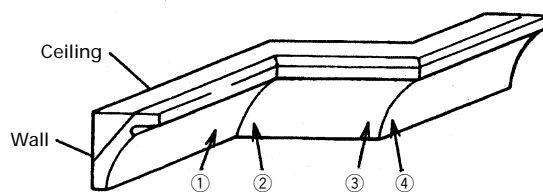


Fig. 25

The table below shows the miter angle and the bevel angle settings that are ideal for the two crown molding types.

**NOTE:** For convenience, positive stops are provided for the miter setting (left and right 31.6°) positions.

### For miter cut setting

If the table has been set to either of the angles described, move the table adjusting miter handle a little to the right and left to stabilize the position and to properly align the miter angle scale and the tip of the indicator before the operation starts.

### For bevel cut setting

Move handle on bevel section to the right and left and check that the position is stable and that the bevel angle scale and the tip of the indicator are properly aligned. Then tighten the clamp lever.

Type of Crown Molding	To process crown molding at positions ① and ④ in Fig. 25.		To process crown molding at positions ② and ③ in Fig. 25.	
	Miter Angle Setting	Bevel Angle Setting	Miter Angle Setting	Bevel Angle Setting
45° Type	right 35.3°	left 30°	left 35.3°	right 30°
38° Type	right 31.6°	left 33.9° (↓ mark)	left 31.6°	right 33.9° (↓ mark)

**(1) Setting to cut crown moldings at positions ① and ④ in Fig. 25 (see Fig. 26):**

- ① Turn the table to the right and set the Miter Angle as follows:
  - \* For 45° type crown moldings: 35.3°
  - \* For 38° type crown moldings: 31.6°
- ② Tilt the head to the left and set the Bevel Angle as follows:
  - \* For 45° type crown moldings: 30°
  - \* For 38° type crown moldings: 33.9° (↓ mark)
- ③ Position the crown molding so that the upper surface (A in Fig. 24) contacts the fence as indicated in Fig. 27.

**(2) Setting to cut crown moldings at positions ② and ③ in Fig. 25 (see Fig. 28):**

- ① Turn the table to the left and set the Miter Angle as follows:
  - \* For 45° type crown moldings: 35.3°
  - \* For 38° type crown moldings: 31.6°
- ② Tilt the head to the left and set the Bevel Angle as follows:
  - \* For 45° type crown moldings: 30°
  - \* For 38° type crown moldings: 33.9° (↓ mark)
- ③ Position the crown molding so that the lower surface (B in Fig. 24) contacts the fence as in Fig. 29.

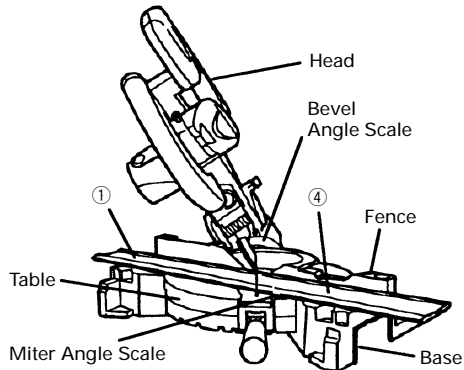


Fig. 26

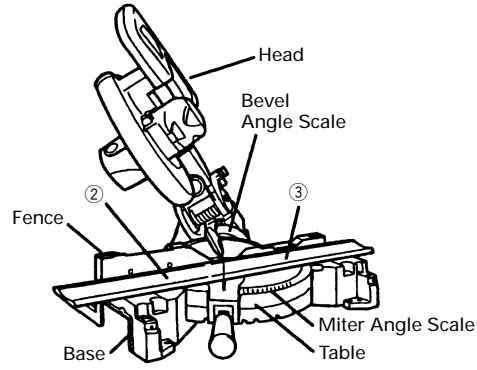


Fig. 28

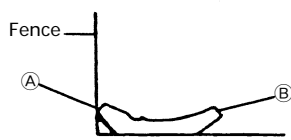


Table on Base  
Fig. 27

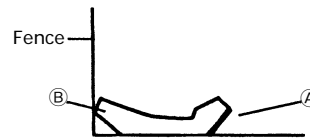


Table on Base  
Fig. 29

**(3) Setting to cut crown moldings at positions ① and ④ in Fig. 25 (see Fig. 30):**

- ① Turn the table to the right and set the Miter Angle as follows:
  - \* For 45° type crown moldings: 35.3°
  - \* For 38° type crown moldings: 31.6°
- ② Tilt the head to the right and set the Bevel Angle as follows:
  - \* For 45° type crown moldings: 30°
  - \* For 38° type crown moldings: 33.9° (↓ mark)
- ③ Position the crown molding so that the upper surface (B in Fig. 24) contacts the fence as indicated in Fig. 31.

#### (4) Setting to cut crown moldings at positions ② and ③ in Fig. 25 (see Fig. 32):

- ① Turn the table to the left and set the Miter Angle as follows:
  - \* For 45° type crown moldings: 35.3°
  - \* For 38° type crown moldings: 31.6°
- ② Tilt the head to the right and set the Bevel Angle as follows:
  - \* For 45° type crown moldings: 30°
  - \* For 38° type crown moldings: 33.9° (↓ mark)
- ③ Position the crown molding so that the lower surface (A in Fig. 24) contacts the fence as in Fig. 33.

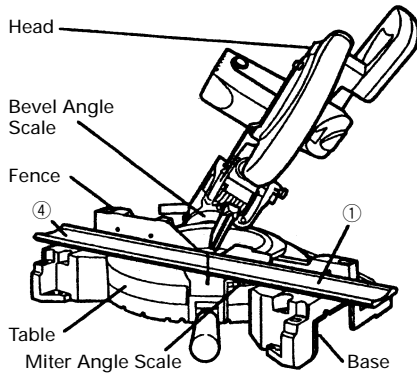


Fig. 30

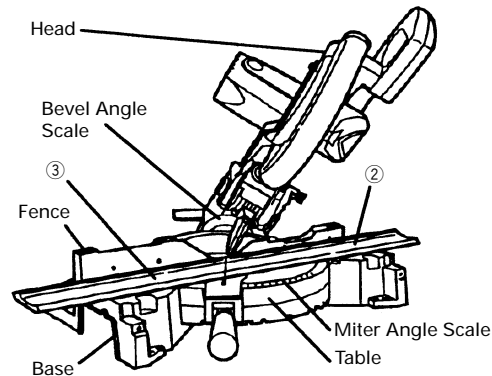


Fig. 32

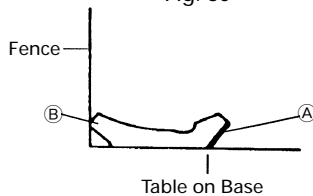


Fig. 31

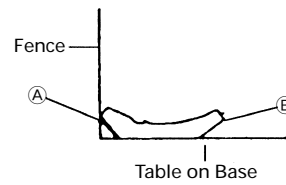


Fig. 33

### 9. Cutting easily-deformed materials, such as aluminum sash

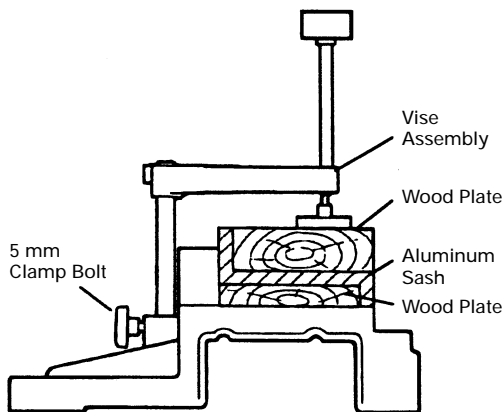


Fig. 34

Materials such as aluminum sash can easily deform when tightened too much in a vise assembly. This will cause inefficient cutting and possible overload of the motor.

When cutting such materials, use a wood plate to protect the workpiece as shown in Fig. 34.

When cutting aluminum materials, coat the saw blade with cutting oil (non-combustible) to achieve smooth cutting and a fine finish.

### 10. How to use the dust bag (Standard accessory)

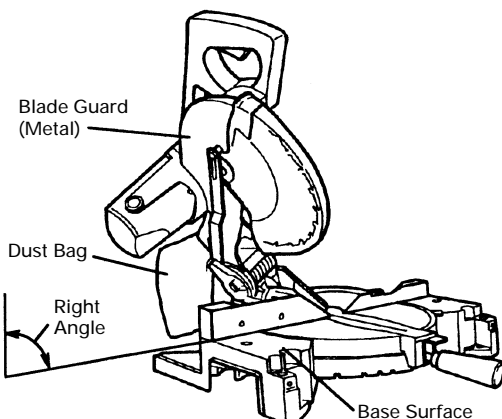


Fig. 35

- (1) When the dust bag has become full of sawdust, dust will be blown out of the dust bag when the saw blade rotates. Check the dust bag periodically and empty it before it becomes full.

- (2) During bevel and compound cutting, attach the dust bag at a right angle to the base surface as shown in Fig. 35.

**⚠ CAUTION:** Empty the dust bag frequently to prevent the duct and the blade guard (metal) from becoming clogged. Sawdust will accumulate more quickly than normal during bevel cutting.

## SAW BLADE MOUNTING AND DISMOUNTING

**⚠ WARNING:** To prevent an accident or personal injury, always turn off the trigger switch and disconnect the power plug from the receptacle before removing or installing a saw blade.

### 1. Mounting the saw blade

- (1) Rotate blade guard (plastic), to top position.
- (2) Loosen 5 mm screw to free cutter shaft guard.  
And rotate cutter shaft guard to the up position as shown in Fig. 36-b.  
At that time, the blade guard (plastic) move together.
- (3) Press in spindle lock and loosen bolt with wrench.  
Since the bolt is left-hand threaded, loosen by turning it to the right as shown in Fig. 36-b.

**NOTE:** If the spindle lock cannot be easily pressed in to lock the arbor shaft, turn the bolt with wrench while applying pressure on the spindle lock.  
The arbor shaft is locked when the spindle lock is pressed inward.

- (4) Remove the bolt and arbor collar.

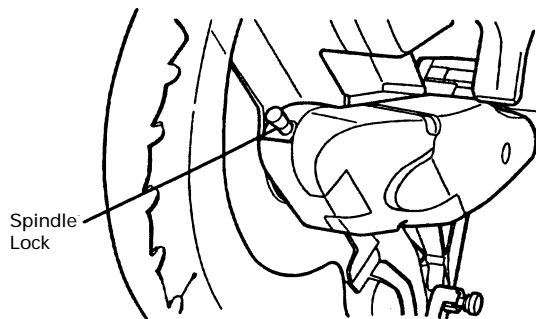


Fig. 36-a

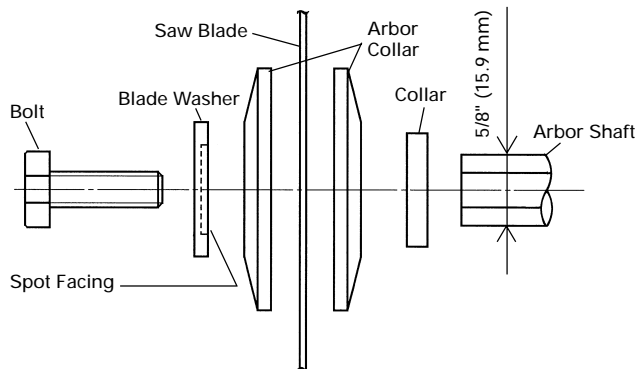


Fig. 36-c

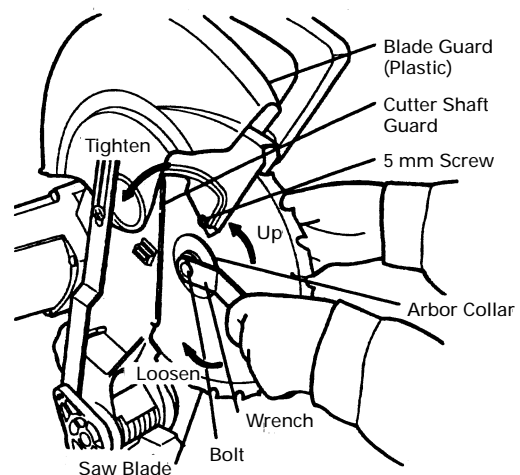


Fig. 36-b

- (5) Mount the saw blade.

**⚠ WARNING:** When mounting the saw blade, confirm that the rotation indicator mark on the saw blade and the rotation direction of the blade guard (metal) are properly matched.

- (6) Thoroughly clean collar, arbor collar, blade washer (confirm mounting direction) and the bolt, and install them onto the arbor shaft as shown in Fig. 36-c.
- (7) Press in the spindle lock and tighten the bolt by turning it to the left by wrench as indicated in Fig. 36-b.

**⚠ CAUTION:**

- \* Confirm that the spindle lock has returned to the retract position after installing or removing the saw blade.
- \* Tighten the bolt so it does not come loose during operation.  
Confirm the bolt has been properly tightened before the power tool is started.

- (8) Rotate the cutter shaft guard to the initial position and tighten 5 mm screw.
- (9) Place blade guard (plastic) in the down position.

## 2. Dismounting the saw blade

Dismount the saw blade by reversing the mounting procedures described in paragraph 1 above. The saw blade can easily be removed after lifting the cutter shaft guard.

**⚠ CAUTION:** Never attempt to install saw blades larger than 10" (255 mm) in diameter. Always install saw blades that are 10" (255 mm) in diameter or less.

## OVERLOAD PROTECTIVE DEVICE FOR POLY-V-BELT

The power of the motor is transmitted to the saw blade by a Poly-V-Belt. When the Poly-V-Belt becomes overloaded, the overload protective device cuts off the current to stop the motor.

In this case turn the switch off immediately and raise the handle to its initial position. Then turn the switch on and after running the tool for 20 seconds without a load for cooling of the motor. Then start the cutting operation. The Poly-V-Belt or the motor will be damaged if the overload protective device turns off frequently.

**⚠ CAUTION:** When the overload protective device stops the motor, the motor will start by turning the switch on after turning it off. When turning the switch on, make sure that the saw blade is not halfway in the material.

## MAINTENANCE AND INSPECTION

**⚠ WARNING:** To avoid an accident or personal injury, always confirm that the trigger switch is turned OFF and the power plug has been disconnected from the receptacle before performing any maintenance or inspection of this tool.

### 1. Inspecting the saw blade

Always replace the saw blade immediately upon the first sign of deterioration or damage.

A damaged saw blade can cause personal injury and a worn saw blade can cause ineffective operation and possible overload to the motor.

**⚠ CAUTION:** Never use a dull saw blade. When a saw blade is dull, its resistance to the hand pressure applied by the tool handle tends to increase, making it unsafe to operate the power tool.

### 2. Inspecting the carbon brushes (Fig. 37 and Fig. 38)

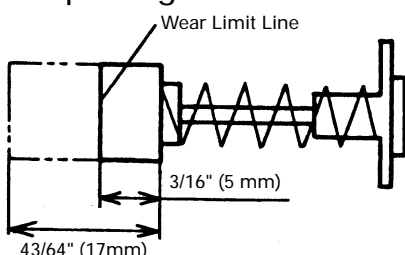


Fig. 37

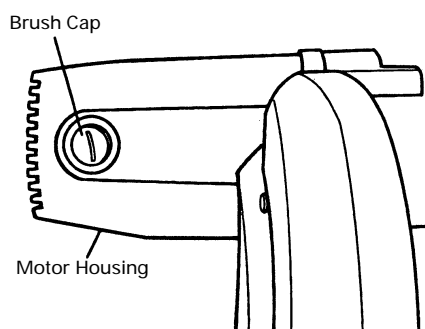


Fig. 38

The carbon brushes in the motor are expendable parts.

If the carbon brushes become excessively worn, motor trouble might occur.

Therefore, inspect the carbon brushes periodically and replace them. Check the carbon brushes after the first 50 hours of use for a new machine or after a new set of carbon brush have been installed. After the first check, examine them after each about 10 hours of use until such time that replacement is necessary.

When the carbon on either brush is worn to 3/16" (5 mm) in length or if either spring or shunt wire is burned or damaged in any way, replace both carbon brushes (see Fig. 37). If the carbon brushes are found serviceable after removing, reinstall them in the same position as before removed.

Also, keep the carbon brushes clean so that they will slide smoothly within the brush holders.

The carbon brushes can easily be removed after removal of the brush caps (see Fig. 38) with a slotted (minus) screwdriver.

### 3. Inspecting the mounting screws

Regularly inspect each component of the power tool for looseness.

Re-tighten mounting screws on any loose part.

**⚠ WARNING:** To prevent personal injury, never operate the power tool if any components are loose.

#### 4. Inspecting the blade guard for proper operation

Before each use of the tool, test the blade guard (see Fig. 8) to assure that they are in good condition and that they move smoothly.

Never use the tool unless the blade guard operate properly and unless they are in good mechanical condition.

#### 5. Storage

After operation of the tool has been completed, check that the following has been performed:

- (1) Trigger switch is in OFF position,
- (2) Power plug has been removed from the receptacle,
- (3) Stored in a secure place.

When the tool is not in use, keep it stored in a dry place out of the reach of children.

#### 6. Replacement of Poly-V-Belt

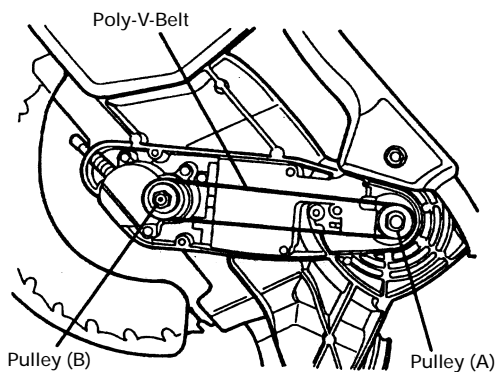


Fig. 39

The power of the motor is transmitted to the saw blade by a Poly-V-Belt. When the Poly-V-Belt is broken or damaged, remove the rear cover by loosening the three 5mm screws and replace the damaged one with the new one.

When connecting the belt on pulleys, first connect 2 or 3 teeth of Poly-V-Belt to the grooves of the pulley (A) and pulley (B). Then turning the pulley (A) and pulley (B), connect all 10 teeth of the belt to the pulleys.

#### 7. Lubrication

Lubricate the following sliding surfaces once a month to keep the power tool in good operating condition for a long time (see Fig. 1 and Fig. 2). Use of machine oil is recommended.

##### Oil supply points:

- \*Rotary portion of angle regulator
- \*Rotary portion of vise assembly
- \*Rotary portion of table and base

#### 8. Cleaning

Periodically remove chips, dust and other waste material from the surface of the power tool, especially from the inside of the blade guard (plastic) with a damp, soapy cloth. To avoid a malfunction of the motor, protect it from contact with oil or water.

## **SERVICE AND REPAIRS**

All quality power tools will eventually require servicing or replacement of parts because of wear from normal use. To assure that only authorized replacement parts will be used and that the double insulation system will be protected, all service (other than routine maintenance) must be performed by an AUTHORIZED HITACHI POWER TOOL REPAIR CENTER ONLY.

**NOTE:** Specifications are subject to change without any obligation on the part of HITACHI.

## **INFORMATIONS IMPORTANTES**

Lire et assimiler toutes les instructions de fonctionnement, les précautions de sécurité et les avertissements de ce mode d'emploi avant d'utiliser ou d'entretenir cet outil électrique.

La plupart des accidents causés lors de l'utilisation ou de l'entretien de l'outil électrique proviennent d'un non respect des règles ou précautions de sécurité de base. Un accident peut la plupart du temps être évité si l'on reconnaît une situation de danger potentiel avant qu'elle ne se produise, et en observant les procédures de sécurité appropriées.

Les précautions de sécurité de base sont mises en évidence dans la section "SECURITE" de ce mode d'emploi et dans les sections qui contiennent les instructions de fonctionnement et d'entretien.

Les dangers qui doivent être évités pour prévenir des blessures corporelles ou un dommage de l'outil sont identifiés par AVERTISSEMENTS sur l'outil électrique et dans ce mode d'emploi.

Ne jamais utiliser cet outil électrique d'une manière qui n'est pas spécifiquement recommandée par HITACHI sans avoir d'abord vérifié que l'utilisation prévue est sans danger pour vous et les autres.

## **SIGNIFICATION DES MOTS D'AVERTISSEMENT**

**⚠ AVERTISSEMENT:** Indique des situations potentiellement dangereuses qui, si elles sont ignorées, pourraient entraîner de graves blessures.

**⚠ ATTENTION:** Indique des situations dangereuses qui, si elles sont ignorées, pourrait entraîner de légères blessures ou endommager l'outil.

**REMARQUE:** Met en relief des informations essentielles.

# **SÉCURITÉ**

## **CONSIGNES DE SÉCURITÉ RELATIVES AUX OUTILS ÉLECTRIQUES.**

**LIRE TOUS LES AVERTISSEMENTS ET TOUTES LES INSTRUCTIONS D'UTILISATION DU MANUEL AVANT DE METTRE L'OUTIL EN SERVICE OU DE L'ENTREtenir :**

**⚠ AVERTISSEMENT:** Lorsqu'on utilise l'outil électrique, prendre toutes les précautions nécessaires pour éviter au maximum tout risque de choc électrique ou autre blessure physique.

En particulier, toujours respecter les consignes de sécurité suivantes :

- 1. TOUJOURS LAISSER LES PROTECTIONS EN PLACE ET LES MAINTENIR EN BON ORDRE DE MARCHÉ.**
- 2. TOUJOURS RETIRER LES CLAVETTES DE RÉGLAGE ET LES CLÉS AVANT DE METTRE L'OUTIL EN MARCHÉ.** Toujours vérifier que les clés et les clavettes de réglage sont bien toutes retirées de l'outil avant de le mettre en marche.
- 3. TOUJOURS MAINTENIR L'AIRE DE TRAVAIL PROPRE.** Pour éviter tout risque de blessure, ne pas encombrer l'aire de travail ni l'établi.
- 4. NE JAMAIS UTILISER L'OUTIL DANS UN ENVIRONNEMENT DANGEREUX.** Ne jamais utiliser l'outil électrique dans un endroit humide ou mouillé, et ne jamais l'exposer à la pluie. Toujours veiller à ce que l'aire de travail soit suffisamment éclairée.
- 5. NE JAMAIS LAISSER LES ENFANTS NI AUCUNE AUTRE PERSONNE APPROCHER DE L'AIRE DE TRAVAIL.** Interdire l'accès de l'aire de travail à tout le monde (en particulier aux enfants). Toujours débrancher l'outil quand on s'en éloigne et veiller à ce que personne ne puisse pénétrer dans l'aire de travail en mettant des verrous aux portes et aux interrupteurs principaux.
- 6. NE JAMAIS FORCER L'OUTIL.** Il effectuera le travail le meilleur et avec la sécurité maximale au régime pour lequel il a été conçu.
- 7. TOUJOURS UTILISER LES OUTILS APPROPRIÉS.** Ne jamais utiliser un outil ou un accessoire pour un travail pour lequel il n'est pas conçu.
- 8. PORTER DES VÊTEMENTS APPROPRIÉS PENDANT LE TRAVAIL.** Ne jamais porter de vêtements lâches ni de gants, cravate, bagues, bracelets ni aucun autre bijou. Ils pourraient se coincer dans les pièces en rotation. Toujours porter des chaussures anti-dérapantes, en particulier avec des doigts de pied en acier. Porter un couvre-chef qui recouvre les cheveux longs.

- 9. TOUJOURS PORTER DES LUNETTES DE PROTECTION PENDANT LE TRAVAIL POUR ÉVITER TOUT RISQUE DE BLESSURE DES YEUX.** Les lunettes ordinaires n'assurent pas une protection suffisante parce que leurs verres sont uniquement résistants aux chocs, ce NE sont PAS des verres de sécurité. Par ailleurs, porter un masque sur le visage pour accroître la sécurité, et un masque anti-poussière si le travail doit dégager de la poussière.
- 10. TOUJOURS FIXER LA PIÈCE À LA GARDE OU À LA TABLE.** Utiliser des dispositifs de serrage ou un étau pour tenir la pièce. Cela sera plus sûr que de tenir la pièce à la main et libérera les deux mains pour le travail.
- 11. NE JAMAIS TROP SE PENCHER.** Toujours garder une bonne assise et un bon équilibre pendant le travail.
- 12. TOUJOURS ENTRETENIR LES OUTILS AVEC SOIN.** Maintenir les outils aiguisés et propres pour optimiser le travail et la sécurité. Toujours suivre les instructions de graissage et de remplacement des accessoires.
- 13. TOUJOURS DÉBRANCHER L'OUTIL** avant un entretien et lors du remplacement des lames ou de tout autre accessoire.
- 14. NE JAMAIS RISQUER UNE MISE EN MARCHÉ INOPINÉE LORSQU'ON BRANCHE L'OUTIL.** Toujours vérifier que l'interrupteur est en position OFF avant de brancher la fiche d'alimentation dans la prise secteur.
- 15. TOUJOURS UTILISER EXCLUSIVEMENT LES ACCESSOIRES RECOMMANDÉS POUR L'OUTIL.** Consulter le mode d'emploi pour la description des outils recommandés. Pour éviter tout risque de blessure, utiliser exclusivement les accessoires recommandés pour cet outil.
- 16. NE JAMAIS MONTER SUR L'OUTIL.** Il y a un risque de blessure grave en cas de renversement de l'outil ou en cas de contact accidentel avec la lame de scie.
- 17. TOUJOURS VÉRIFIER SI L'OUTIL A DES PIÈCES ENDOMMAGÉES AVANT DE L'UTILISER.** Toujours vérifier si la protection et les autres composants sont endommagés avant d'utiliser l'outil pour s'assurer qu'ils fonctionneront correctement. Vérifier si toutes les pièces mobiles sont bien alignées, non voilées, ou toute autre condition qui pourrait entraver leur bon fonctionnement. Toujours réparer ou remplacer les protections ou les autres pièces endommagées avant d'utiliser l'outil.
- 18. TOUJOURS VÉRIFIER LE SENS DE ROTATION DE LA LAME AVANT D'UTILISER L'OUTIL.** Toujours avancer la pièce dans l'outil contre le sens de rotation de la lame pour éviter tout risque de blessure.
- 19. NE JAMAIS S'ÉLOIGNER DE L'OUTIL QUAND IL FONCTIONNE. LE METTRE HORS TENSION.** Ne pas s'éloigner de l'outil tant qu'il n'est pas complètement arrêté. Toujours mettre l'outil hors tension quand on ne s'en sert pas. Toujours débrancher le cordon d'alimentation quand on ne se sert pas de l'outil.
- 20.** L'outil n'est pas conçu pour des applications de fabrication en série, et il ne devra donc pas être utilisé dans un environnement de fabrication en série.
- 21.** Pour les réparations, utiliser exclusivement des pièces de rechange agréées.
- 22.** Alimenter l'outil exclusivement sur un courant alternatif de 115 volts. Une tension ou une alimentation incorrectes pourraient provoquer un mauvais fonctionnement de l'OUTIL ELECTRIQUE et provoquer des blessures physiques ou des dommages matériels graves.
- 23.** Ne jamais relever la lame de la pièce tant qu'elle n'est pas complètement arrêtée.
- 24.** Toujours utiliser des supports extérieurs pour assurer la stabilité des longues pièces qui dépassent de la table de la scie à onglet radiale.
- 25. FICHES POLARISÉES** Pour réduire tout risque de choc électrique, l'appareil possède une fiche polarisée (l'une des lames est plus large que l'autre). Cette fiche ne rentrera dans une prise polarisée que dans un sens. Si la fiche ne rentre pas dans la prise, l'inverser. Si elle ne rentre toujours pas, faire installer une prise appropriée par un électricien qualifié. Ne pas modifier la fiche de quelque façon que ce soit.



## Consignes de sécurité spéciales pour cet outil électrique

**⚠ AVERTISSEMENT:** Pour éviter tout risque de blessure, les consignes de sécurité spéciales suivantes devront être respectées lors de l'utilisation de l'outil.


### CHOSSES A FAIRE

#### TOUJOURS OBSERVER LES CONSIGNES SUIVANTES POUR GARANTIR UNE UTILISATION EN TOUTE SÉCURITÉ:

1. Bien lire le manuel et se familiariser avec les consignes de sécurité et les instructions d'utilisation de l'OUTIL ELECTRIQUE avant de l'utiliser.
2. Toujours vérifier que l'OUTIL ELECTRIQUE est propre avant de l'utiliser.
3. Toujours porter des vêtements bien ajustés et des chaussures anti-dérapantes (de préférence avec des doigts de pied en acier) et des lunettes de protection lorsqu'on utilise l'OUTIL ELECTRIQUE.
4. Toujours manier l'OUTIL ELECTRIQUE avec soin. Si l'OUTIL ELECTRIQUE tombe ou qu'il heurte un objet dur, il risque de se déformer, de se fendiller ou autre dommage.
5. Toujours cesser immédiatement d'utiliser la scie si l'on remarque quelque chose d'anormal.
6. Toujours vérifier que les pièces sont toutes correctement montées et fixées avant d'utiliser l'outil.
7. Pour le remplacement de la lame, toujours vérifier que le régime nominal de la nouvelle lame convient pour l'outil.
8. Toujours mettre l'outil hors tension et attendre que la lame ait complètement cessé de tourner avant tout remplacement ou tout réglage.
9. Toujours visser ou fixer la pièce sur la garde, pour qu'elle ne risque pas d'être éjectée de la table et de provoquer des blessures.
10. Pendant une coupe d'onglet ou de biseau, toujours attendre que la lame ait complètement cessé de tourner avant de la relever.
11. Toujours faire un essai avant d'utiliser la scie pour un nouvel usage.
12. Toujours manipuler la scie avec soin lorsqu'on la démonte ou qu'on la monte.
13. Toujours vérifier qu'il n'y a ni clou ni aucun autre corps étranger dans la pièce avant de commencer une coupe.
14. Toujours éloigner les mains du trajet de lame.
15. Toujours vérifier que les carters de sécurité sont en place avant d'utiliser la scie.
16. Inspecter périodiquement les cordons d'alimentation.
17. Le cas échéant, toujours vérifier que l'on utilise des cordons et des rallonges du type et de la longueur voulus avant de mettre l'outil en marche.
18. Toujours vérifier que les événements d'aération du moteur sont complètement dégagés avant d'utiliser l'outil.
19. Toujours attendre que le moteur ait atteint sa vitesse de régime avant d'entamer une coupe.
20. Toujours maintenir les poignées sèches, propres et sans huile ni graisse. Tenir l'outil fermement pendant le travail.
21. Toujours utiliser des supports extérieurs pour soutenir les pièces longues qui dépassent de la table de la scie à coupe d'onglet.
22. Toujours commencer par s'assurer que la pièce est correctement fixée dans un étau.
23. Le mode d'emploi fourni avec l'outil explique à l'utilisateur comment fixer l'outil sur sa structure de support si, en fonctionnement normal, il a tendance à se renverser, à glisser ou à bouger le long de la surface de support.

## CHOSSES A NE PAS FAIRE

### POUR GARANTIR UNE UTILISATION EN TOUTE SÉCURITÉ, NE JAMAIS VIOLER LES CONSIGNES SUIVANTES:

1. Ne jamais utiliser l'OUTIL ELECTRIQUE si l'on ne comprend pas bien les instructions de ce manuel.
2. Ne jamais s'éloigner de l'OUTIL ELECTRIQUE sans débrancher auparavant son cordon d'alimentation.
3. Ne jamais utiliser l'OUTIL ELECTRIQUE quand on est fatigué, après avoir pris des médicaments ou consommé des boissons alcoolisées.
4. Ne jamais utiliser l'OUTIL ELECTRIQUE pour des applications non spécifiées dans ce mode d'emploi.
5. Ne jamais faire fonctionner l'outil si l'on porte des vêtements lâches, une cravate ou des bijoux, ou sans se couvrir les cheveux, pour éviter qu'ils ne se prennent dans les pièces mobiles.
6. Ne jamais approcher les mains de la lame.
7. Ne jamais toucher les pièces en mouvement, y compris la lame, pendant le fonctionnement de la scie.
8. Ne jamais retirer les dispositifs de sécurité ni les protections de lame ; l'utilisation de l'outil serait dangereuse sans ces pièces.
9. Ne jamais verrouiller le carter de sécurité ; toujours vérifier qu'il glisse régulièrement avant d'utiliser l'outil.
10. Ne jamais endommager le cordon d'alimentation de l'outil.
11. Quand l'OUTIL ELECTRIQUE est branché, ne jamais tenter de le déplacer avec le doigt sur l'interrupteur de marche.
12. Ne jamais utiliser l'OUTIL ELECTRIQUE si l'interrupteur de marche ne fonctionne pas correctement.
13. Ne jamais utiliser l'OUTIL ELECTRIQUE si le logement en plastique ou la poignée sont déformés ou fendillés.
14. Ne jamais utiliser l'OUTIL ELECTRIQUE à proximité d'un liquide ou d'un gaz inflammable, car les étincelles pourraient provoquer une explosion.
15. Ne jamais nettoyer les composants en plastique avec des solvants car cela risquerait de dissoudre le plastique.
16. Ne jamais faire fonctionner la scie si les protections de lame ne sont pas toutes en place.
17. Ne jamais relever la lame de la pièce tant que la lame n'est pas complètement arrêtée.
18. Ne jamais amener les membres à l'intérieur de la ligne à côté du signe d'avertissement "  " quand l'outil fonctionne. Cela pourrait être dangereux.
19. Ne jamais utiliser de lames de type abrasif avec cette scie.
20. Ne jamais exposer à la pluie ni utiliser dans un endroit humide.
21. Ne jamais couper de métaux ferreux ni de maçonnerie.

## AVERTISSEMENT

### POUR VOTRE PROPRE SÉCURITÉ, LISEZ ATTENTIVEMENT CE MODE D'EMPLOI AVANT D'UTILISER LA SCIE À ONGLET INCLINABLE.

1. Toujours porter des lunettes de protection lorsqu'on utilise la scie à onglet inclinable.
2. Toujours éloigner les mains du trajet de lame.
3. Ne jamais faire fonctionner la scie si les protections ne sont pas en place.
4. Ne jamais effectuer d'opération à la volée avec la scie à onglet inclinable.
5. Ne jamais s'approcher de la lame.
6. Toujours mettre la scie hors tension et attendre que la lame ait complètement cessé de tourner avant de déplacer la pièce ou de modifier les réglages.
7. Toujours débrancher l'alimentation avant de remplacer la lame ou d'entretenir l'outil.
8. Le diamètre de la lame est de 255 mm (10").
9. La vitesse à vide est de 3800 tr/mn.

## PIECES DE RECHANGE

Pour les réparations, utiliser exclusivement des pièces de rechange identiques.  
Les réparations devront être effectuées exclusivement par un centre de service après-vente Hitachi agréé.

## UTILISATION D'UN CORDON DE RALLONGE

Utiliser exclusivement un cordon de rallonge en bon état. Lorsqu'on utilise un cordon de rallonge, veiller à ce qu'il soit suffisamment lourd pour supporter le courant dont l'appareil aura besoin. Un cordon trop petit provoquera une chute de la tension de ligne, ce qui entraînera une perte de puissance et une surchauffe. Le tableau indique le calibre à utiliser en fonction de la longueur du cordon et de l'intensité nominale indiquée sur la plaque signalétique. En cas de doute, utiliser un calibre supérieur. Plus le numéro du calibre est petit, plus le cordon est lourd.

		CALIBRE MINIMUM DES CORDONS			
		Longueur totale de cordon en pieds (mètres)			
		0 – 25 (0 – 7,6)	26 – 50 (7,9 – 15,2)	51 – 100 (15,5 – 30,5)	101 – 150 (30,8 – 45,7)
Intensité nominale		CALIBRE			
à	à				
Supérieure	Non supérieure				
	0 – 6	18	16	16	14
	6 – 10	18	16	14	12
	10 – 12	16	16	14	12
	12 – 16	14	12	Non recommandé	

**⚠ AVERTISSEMENT:** Eviter tout risque de choc électrique. Ne jamais utiliser l'outil avec un cordon électrique ou un cordon de rallonge endommagé ou dénudé.  
Inspecter régulièrement les cordons électriques. Ne jamais utiliser dans l'eau ou à proximité d'eau, ni dans un environnement susceptible de provoquer un choc électrique.

## DOUBLE ISOLATION POUR UN FONCTIONNEMENT PLUS SUR

Pour assurer un fonctionnement plus sûr de cet outil électrique, HITACHI a adopté une conception à double isolation. "Double isolation" signifie que deux systèmes d'isolation physiquement séparés ont été utilisés pour isoler les matériaux conducteurs d'électricité connectés à l'outil électrique à partir du cadre extérieur manipulé par l'utilisateur. C'est pourquoi, le symbole "⊞" ou les mots "Double insulation" (double isolation) apparaissent sur l'outil électrique ou sur la plaque signalétique.

Bien que ce système n'ait pas de mise à la terre extérieure, il est quand même nécessaire de suivre les précautions de sécurité électrique données dans ce mode d'emploi, y compris de ne pas utiliser l'outil électrique dans un environnement humide.

Pour garder le système de double isolation effectif, suivre ces précautions:

- \* Seuls les CENTRES DE SERVICE AUTORISES HITACHI peuvent démonter et remonter cet outil électrique et uniquement des pièces de rechange HITACHI garanties d'origine doivent être utilisées.
- \* Nettoyer l'extérieur de l'outil électrique uniquement avec un chiffon doux légèrement imbibé d'une solution savonneuse et essuyer minutieusement.
- \* Ne jamais utiliser de solvants, d'essence ou de diluants sur les parties en plastique; sinon le plastique risquerait de se dissoudre.

**CONSERVER CES INSTRUCTIONS  
ET  
LES METTRE A LA DISPOSITION  
DES AUTRES UTILISATEURS DE L'OUTIL!**

# UTILISATION ET ENTRETIEN

**REMARQUE:** Les informations contenues dans ce manuel sont destinées à vous aider à utiliser et à entretenir l'OUTIL ELECTRIQUE en toute sécurité. Certaines illustrations de ce manuel peuvent montrer des détails ou des fixations qui diffèrent de ceux de votre OUTIL ELECTRIQUE. Par ailleurs, dans certaines illustrations, les protections et les caches ont été intentionnellement supprimés à des fins d'illustration.

## NOM DES PIÈCES

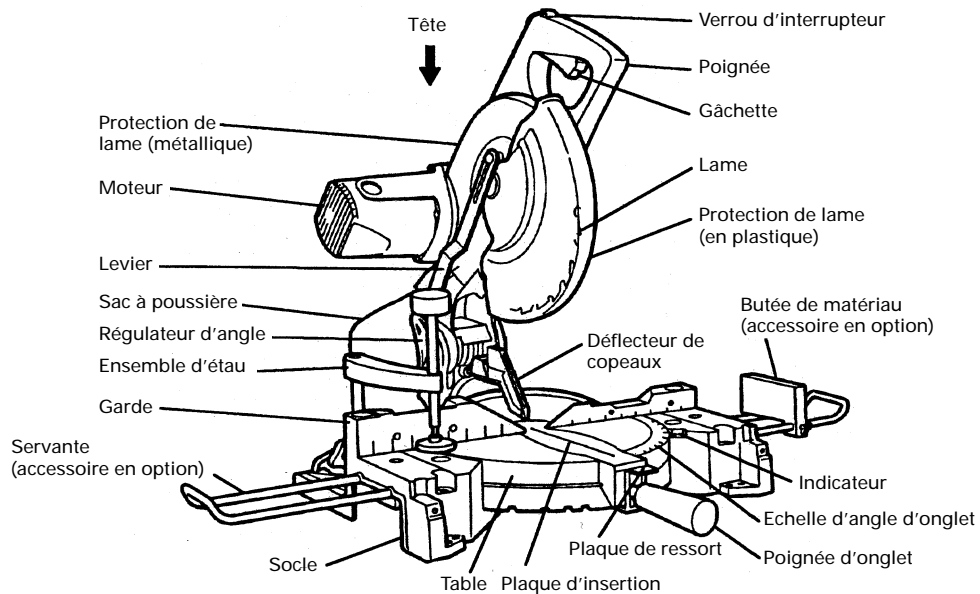


Fig. 1

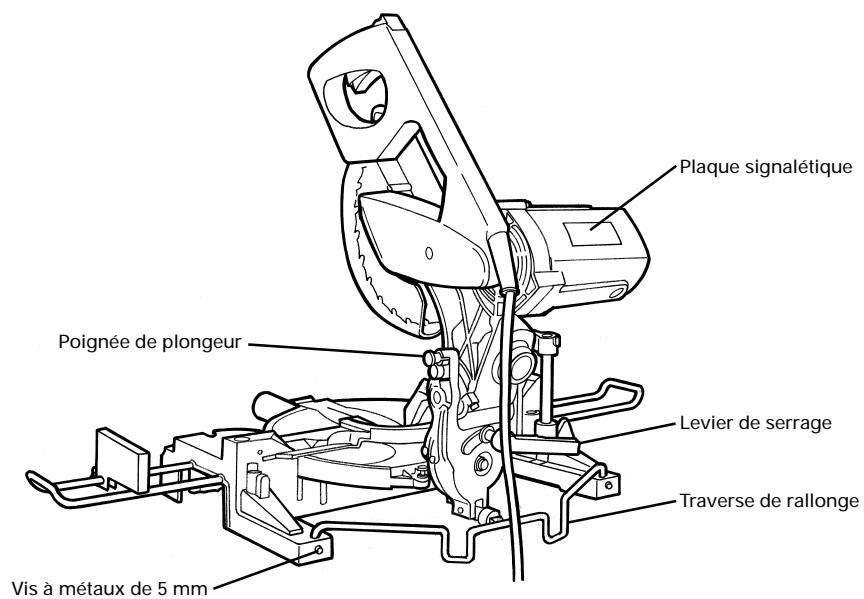


Fig. 2

## SPÉCIFICATIONS

Article	Modèle	C 10FCD	
Moteur	Type	Moteur à commutateur série	
	Alimentation	Courant alternatif monophasé 60 Hz	
	Tension (volts)	115	
	Courant à pleine charge (Amp)	13	
Lame applicable	Diámetro exterior: 255 mm (10") Dia. d'orifice 15,9 mm (5/8")		
Vitesse à vide	3800 tr/mn		
Dimension de coupe max.	Biseau 0°	Onglet 0°	Hauteur max. 69 mm (2-23/32") Largeur max. 143 mm (5-5/8")
		Onglet 45°	Hauteur max. 69 mm (2-23/32") Largeur max. 98 mm (3-7/8")
	Biseau 45° à gauche	Onglet 0°	Hauteur max. 45 mm (1-25/32") Largeur max. 143 mm (5-5/8")
		Onglet 45°	Hauteur max. 45 mm (1-25/32") Largeur max. 98 mm (3-7/8")
	Biseau 45° à droite	Onglet 0°	Hauteur max. 24 mm (15/16") Largeur max. 120 mm (4-3/4")
		Onglet 45°	Hauteur max. 24 mm (15/16") Largeur max. 85 mm (3-11/32")
	Plage de coupe d'onglet	Gauche 0° – 45° Droite 0° – 45°	
	Plage de coupe en biseau	Gauche 0° – 45° Droite 0° – 45°	
Plage de sciage mixte	Gauche (biseau) 0° – 45°, gauche et droite (onglet) 0° – 45° Droite (biseau) 0° – 45°, gauche et droite (onglet) 0° – 45°		
Poids net	13kg (28,7lbs.)		
Cordon	Câble sous gaine de caoutchouc à 2 conducteurs, 2 m (6,6ft)		

\*Remarque : Une plaque d'entretoise de 17 mm (11/16") d'épaisseur devra être fixée à la garde.

## APPLICATIONS

Bois, contreplaqué, planches à tissu souple, planches dures et autres matériaux semblables et cadres d'aluminium.

## PRÉPARATION AVANT L'UTILISATION

Avant de mettre l'outil électrique en service, effectuer les préparations suivantes :

### 1. Installation

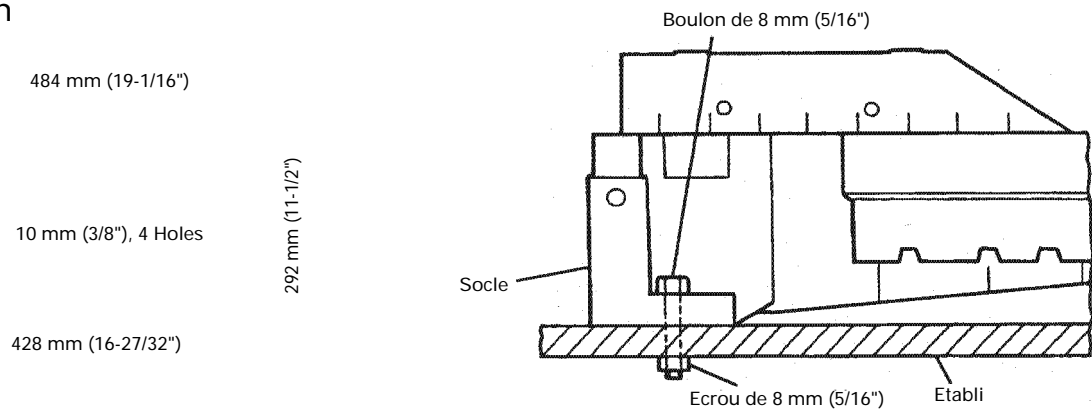


Fig. 4

Fixer l'outil électrique sur un établi horizontal et de niveau, comme indiqué à la Fig. 4. Sélectionner les boulons de 8 mm (5/16") de diamètre de la longueur correspondant à l'épaisseur de l'établi. Les boulons devront avoir une longueur d'au moins 50 mm (2"), plus l'épaisseur de l'établi. Par exemple, avec un établi de 25 mm (1") d'épaisseur, utiliser des boulons de 8 mm (5/16") 75 mm (3"). La traverse de rallonge fixée au dos du socle (voir Fig. 2) aide à stabiliser l'outil électrique.

## 2. Libérer la goupille de verrouillage.

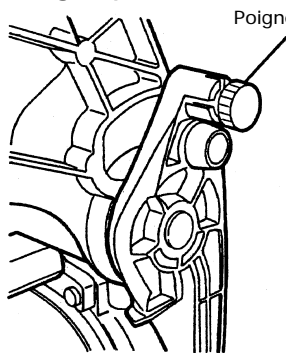


Fig. 5-a

Pendant le transport, insérer les butées de la poignée à plongeur dans la fente creuse.  
REMARQUE : Cette position ne sert pas pour les opérations de coupe.

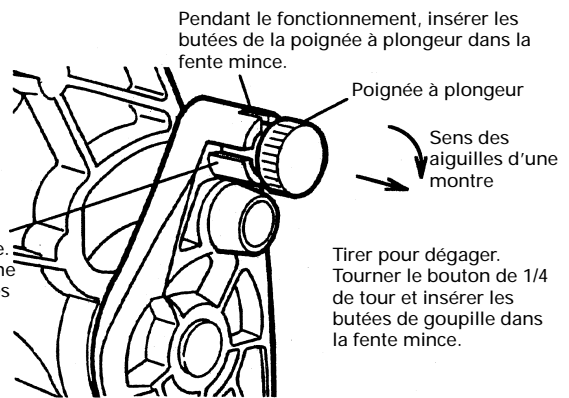


Fig. 5-b

Lorsque l'outil électrique quitte nos usines, ses composants essentiels sont fixés à l'aide d'une poignée à plongeur. Déplacer légèrement la poignée de façon que la poignée à plongeur se dégage et régler comme indiqué à la Fig. 5-b.

**REMARQUE: Abaisser la poignée légèrement pour pouvoir dégager la poignée à plongeur plus facilement et en toute sécurité.**

**La position verrouillée de la poignée à plongeur sert exclusivement pour le transport et le remisage.**

Pour le transport, saisir la poignée (voir Fig. 1) d'une main et tenir le socle à la section de saisie à l'extrémité gauche de l'autre main pour transporter l'outil.

## 3. Installation du sac à poussière, de la poignée d'onglet, des servantes, de la butée de matériau et des étaux

(La servante et la butée de matériau sont des accessoires en option.)

Fixer le sac à poussière, la poignée d'onglet, la servante, la butée de matériau et l'ensemble d'étau comme indiqué à la Fig. 1 et à la Fig. 2.

### (1) Montage du levier de serrage

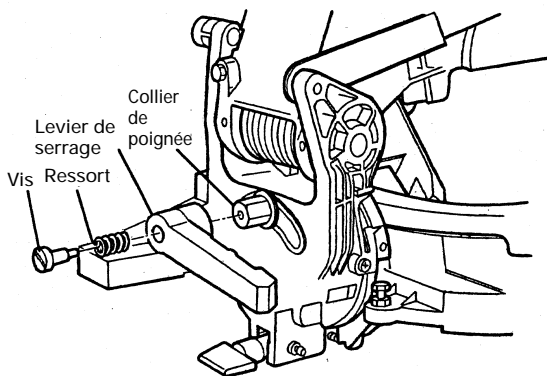


Fig. 6

- ① Insérer le ressort et la vis dans l'orifice du levier de serrage comme indiqué à la Fig. 6.

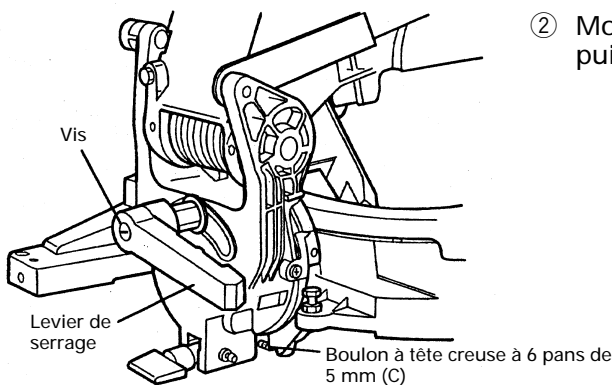


Fig. 7

- ② Monter le levier de serrage sur le collier de poignée, puis serrer la vis comme indiqué à la Fig. 7.

## 4. Installation de la traverse de rallonge

- (1) Insérer la traverse de rallonge dans l'orifice du socle.

- (2) Serrer les deux vis à métaux de 5 mm et fixer la traverse de rallonge comme indiqué à la Fig. 2.

## AVANT L'UTILISATION

1. S'assurer que la source d'alimentation convient pour l'outil.

**⚠ AVERTISSEMENT:** Ne jamais raccorder l'outil électrique si l'alimentation secteur n'est pas de la tension spécifiée sur la plaque signalétique de l'outil  
Ne jamais raccorder l'outil à une source de courant continu.

2. Vérifier que la gâchette est sur OFF.

**⚠ AVERTISSEMENT:** Si l'on raccorde le cordon d'alimentation alors que la gâchette est enclenchée, l'outil se mettra brusquement en marche, ce qui peut provoquer un grave accident.

3. Vérifier s'il y a des défauts visibles sur la lame.

S'assurer qu'il n'y a ni fissures ni dommages visibles sur la lame.

4. Vérifier que la lame est solidement fixée sur l'outil électrique.

A l'aide de la clé fournie, serrer le boulon de l'arbre pour fixer la lame. Pour les détails, voir les Fig. 36-a, 36-b et 36-c de la section relative au "MONTAGE ET DEMONTAGE DE LA LAME DE SCIE".

5. Vérifier le fonctionnement des protections de lame.

Les protections de lame sont conçues pour protéger l'opérateur de tout contact avec la lame pendant le travail.

Toujours vérifier que la protection de lame (en plastique) se déplace en douceur et qu'elle recouvre bien la lame.

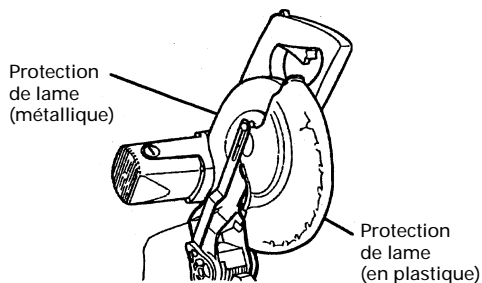


Fig. 8

**⚠ AVERTISSEMENT:** Ne jamais faire fonctionner l'outil si la protection de lame (en plastique) ne fonctionne pas en douceur.

6. Vérifier la position du verrou d'axe avant d'utiliser l'outil.

Avant d'installer la lame, vérifier que le verrou d'axe est revenu sur sa position rentrée avant d'utiliser l'outil électrique (voir Fig. 36-a).

7. Vérifier la position de limite inférieure de la lame.

Bien que la lame ait été réglée en usine, vérifier soigneusement sa hauteur. S'assurer que la lame peut être abaissée de 26 à 28 mm (1-1/32" à 1-3/32") en-dessous de la plaque d'insertion. Pour les détails, voir la section "Vérification de la limite de position inférieure de la lame".

8. Vérifier la prise d'alimentation.

Pour éviter toute surchauffe, arrêt accidentel ou fonctionnement intermittent, vérifier que la fiche du cordon d'alimentation rentre à fond dans la prise secteur et qu'elle ne ressort pas après l'insertion. Réparer ou remplacer la fiche si elle est défectueuse.

9. Vérifier que le cordon d'alimentation de l'outil n'est pas endommagé.

Réparer ou remplacer le cordon si l'on constate un dommage.

## APRÈS AVOIR BRANCHÉ LA FICHE D'ALIMENTATION DANS UNE SOURCE D'ALIMENTATION APPROPRIÉE, VÉRIFIER LE FONCTIONNEMENT DE L'OUTIL COMME SUIV :

10. Marche d'essai

Après avoir vérifié qu'il n'y a personne derrière, mettre l'outil électrique en marche et vérifier qu'il n'y a pas d'anomalie de fonctionnement avant d'effectuer une coupe.

11. Vérifier la stabilité de rotation de la lame.

Pour assurer des coupes précises, faire tourner la lame et vérifier qu'il n'y a pas de flèche pour s'assurer que la lame ne présente pas d'instabilité évidente ; sinon, cela risque de provoquer des vibrations et un accident.



## AVANT LA COUPE

### 1. Coupe d'une encoche dans la plaque d'insertion

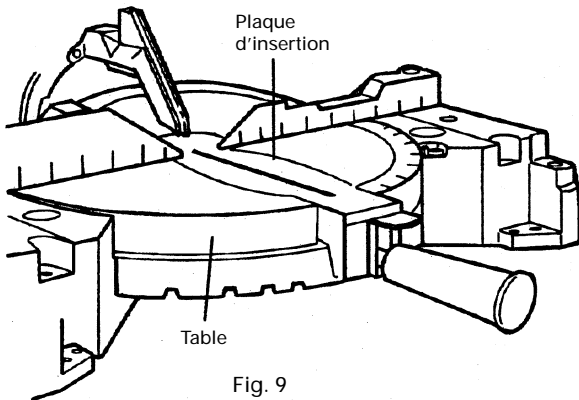


Fig. 9

Avant de mettre l'outil en service, il faudra découper une encoche dans la plaque d'insertion. Fixer un morceau de bois d'environ 130 mm de large sur la table avec l'ensemble d'étau pour éviter que la plaque d'insertion ne se rompe. Mettre l'outil en marche et, lorsque la lame a atteint sa vitesse maximale, abaisser doucement la poignée pour couper une encoche dans la plaque d'insertion.

**⚠ ATTENTION:** Ne pas couper l'encoche trop rapidement ; l'on pourrait endommager la plaque d'insertion.

### 2. Vérification de la position de limite inférieure de la lame

**⚠ AVERTISSEMENT :** Pour éviter tout risque de blessures, toujours couper l'interrupteur à gâchette et débrancher la fiche d'alimentation de la prise avant tout réglage.

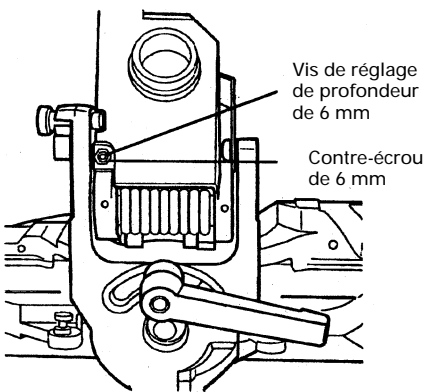


Fig. 10

Vérifier que la lame de scie s'abaisse de 26 mm à 28 mm (1-1/32" à 1-3/32") sous la plaque d'insertion.

Au besoin, régler comme suit :

- (1) Desserrer le contre-écrou de 6 mm de la vis de réglage de profondeur de 6 mm.
- (2) Tourner la vis de réglage de profondeur de 6 mm de la distance nécessaire pour régler la position de limite inférieure. La lame de scie se relève lorsqu'on tourne la vis de réglage de profondeur de 6 mm dans le sens des aiguilles d'une montre, et elle descend lorsqu'on tourne la vis dans le sens inverse.
- (3) Lorsque le réglage est terminé, serrer le contre-écrou de 6 mm à fond.

**REMARQUE :** Avant de serrer le contre-écrou de 6 mm, vérifier que la lame de scie est réglée de façon qu'elle ne coupera pas la table.

### 3. Angle oblique

Lorsque l'outil électrique quitte nos usines, il est réglé pour un angle de coupe en biseau de 0° vers la droite, de 45° vers la gauche, et pour un angle de coupe en biseau de 45° vers la droite avec le boulon de 6 mm (A), le boulon de 6 mm (B) et le boulon à tête creuse à 6 pans de 5 mm (C) (voir Fig. 7).

Pour modifier ce réglage, régler la hauteur du boulon de 6 mm (A), du boulon de 6 mm (B) et du boulon à tête creuse à 6 pans de 5 mm (C) (voir Fig. 7) en les tournant.

(L'angle maximum de coupe en biseau est de 45°.)

Pour régler l'angle de biseau sur 45° vers la droite, tirer la barre de positionnement dans le sens indiqué sur la Fig. 12, et incliner la tête du moteur vers la droite.

Lorsqu'on règle la tête du moteur vers la droite, toujours ramener la barre de positionnement à sa position initiale.

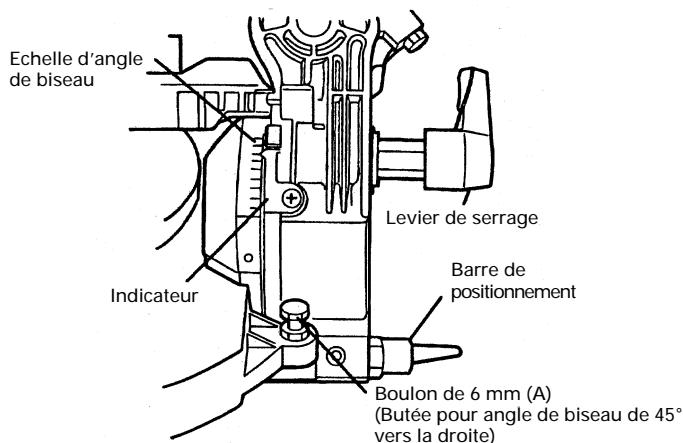


Fig. 11

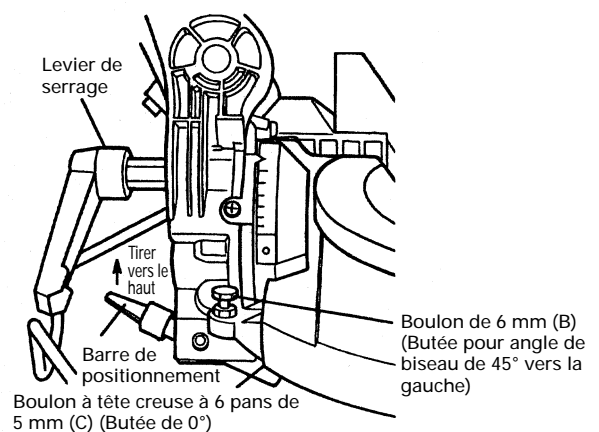


Fig. 12

#### 4. Fixation de la pièce

**⚠ AVERTISSEMENT:** Toujours utiliser un dispositif de fixation ou l'étau pour fixer la pièce à la garde ; sinon, la pièce risque d'être éjectée de la table et de blesser quelqu'un.

#### 5. Installation des servantes (accessoires en option)

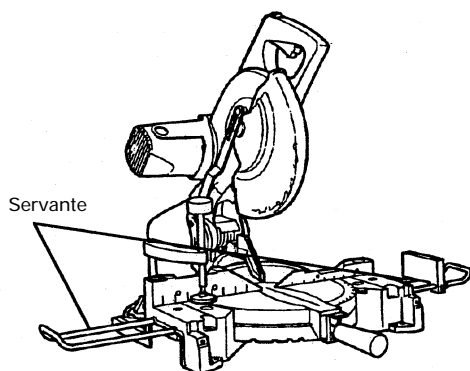


Fig. 13

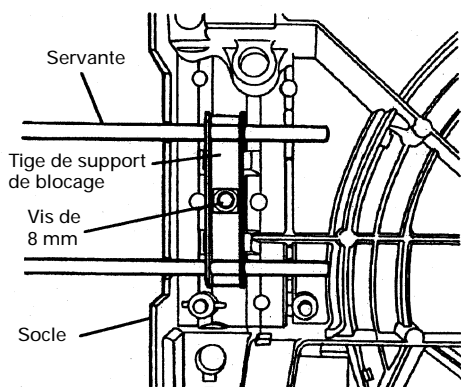


Fig. 14

Les servantes aident à stabiliser et à maintenir en place les pièces de grande dimension pendant l'opération de coupe.

- (1) Insérer la vis de 8 mm dans l'orifice prévu sur le socle.
- (2) Fixer la tige de support de blocage sous le côté du socle.
- (3) Puis, avec la vis de 8 mm, pour un arrêt provisoire de la tige de support de blocage.
- (4) Insérer une servante dans les deux orifices de la tige de support de blocage.
- (5) Déplacer la servante jusqu'à ce qu'elle entre en contact avec le socle.
- (6) Serrer la vis de 8 mm pour fixer la servante.

**⚠ ATTENTION:** Ne pas tenir la servante pour transporter l'outil.

La servante pourrait sortir du socle. Tenir l'outil par sa poignée (voir Fig. 1), et non par la servante.

#### 6. Butée de matériau pour coupe de précision (la butée de matériau est un accessoire en option)

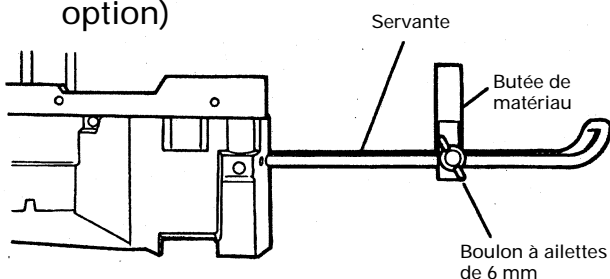


Fig. 15

La butée de matériau facilite la précision des coupes continues sur une longueur de 253 mm à 423 mm (10" à 16-21/32"). Pour installer la butée de matériau, la fixer à la servante avec le boulon à ailettes de 6 mm comme indiqué à la Fig. 15.

## APPLICATIONS PRATIQUES

**⚠ AVERTISSEMENT:** \* Pour éviter tout risque de blessure, ne jamais retirer ni installer la pièce sur la table pendant que l'outil fonctionne.

\* Ne jamais amener les membres à l'intérieur de la ligne à côté du signe d'avertissement pendant que l'outil fonctionne. Cela pourrait être dangereux (voir Fig. 16.)

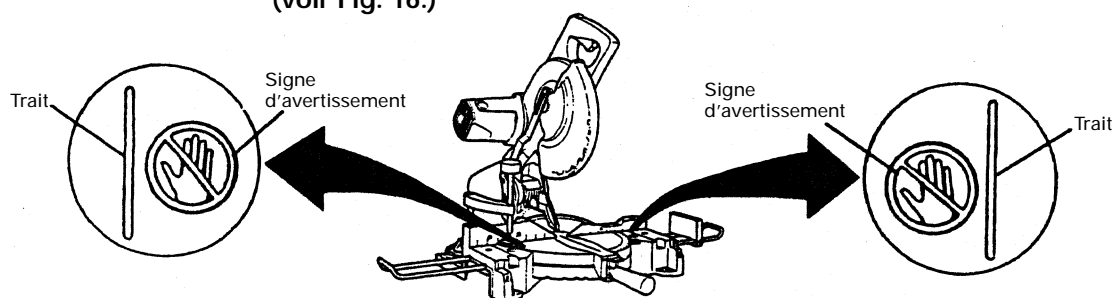


Fig. 16

## 1. Fonctionnement de l'interrupteur

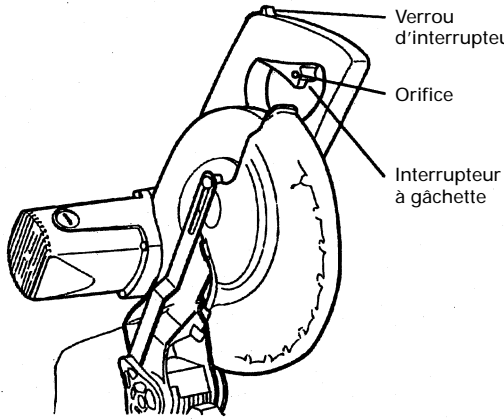


Fig. 17

Le verrou d'interrupteur est conçu pour empêcher tout fonctionnement accidentel de l'outil électrique.

Pour faire marcher l'outil, il faut tout d'abord pousser le verrou d'interrupteur vers le haut, comme indiqué à la Fig. 17.

L'interrupteur à gâchette ne fonctionnera pas si le verrou d'interrupteur n'est pas poussé vers le haut. Lorsqu'on relâche l'interrupteur à gâchette, l'outil s'éteint et le verrou d'interrupteur revient automatiquement à sa position initiale, ce qui verrouille l'interrupteur à gâchette.

**⚠ AVERTISSEMENT:** Ceci empêchera toute mise en marche accidentelle de l'outil électrique ou toute utilisation par une personne non qualifiée (en particulier les enfants). Pour éviter tout fonctionnement non autorisé de l'outil, mettre un cadenas dans l'orifice de l'interrupteur à gâchette.

## 2. Utilisation de l'ensemble d'étau (accessoire standard)

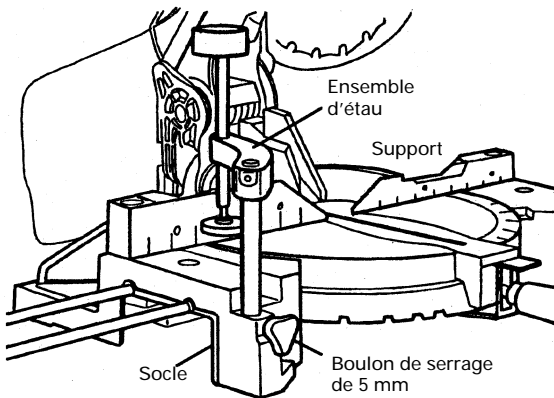


Fig. 18

(1) L'ensemble d'étau pourra être monté sur le socle gauche ou sur le socle droit, et il pourra être relevé ou abaissé en fonction de la hauteur de la pièce.

① Insérer le support de l'ensemble d'étau dans l'orifice situé sur le socle gauche ou sur le socle droit.

② Puis, visser le boulon de serrage de 5 mm comme indiqué à la Fig. 18.

**REMARQUE:** Le support possède deux encoches de verrouillage dans lesquelles l'extrémité du boulon de serrage de 5 mm doit rentrer, de façon à verrouiller l'ensemble d'étau à la position voulue.

(2) L'ensemble d'étau pourra être monté sur la garde gauche ou sur la garde droite, et il pourra être relevé ou abaissé en fonction de la hauteur de la pièce.

① Insérer le support de l'ensemble d'étau dans l'orifice situé sur la garde gauche ou sur la garde droite.

② Puis, visser le boulon de serrage de 5 mm comme indiqué à la Fig. 19.

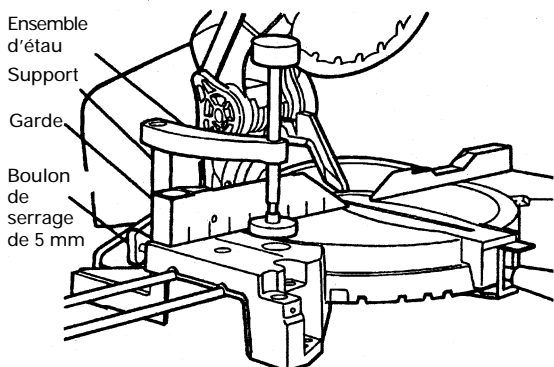


Fig. 19

**⚠ ATTENTION:** Toujours vérifier que la tête du moteur (voir Fig. 1) n'entre pas en contact avec l'ensemble d'étau quand on l'abaisse pour la coupe. Si ce risque existe, desserrer légèrement le bouton de boulonnage de 5 mm et déplacer l'ensemble d'étau jusqu'à un point où il n'entrera pas en contact avec la lame.

### 3. Utilisation de l'ensemble d'étau (accessoire en option)

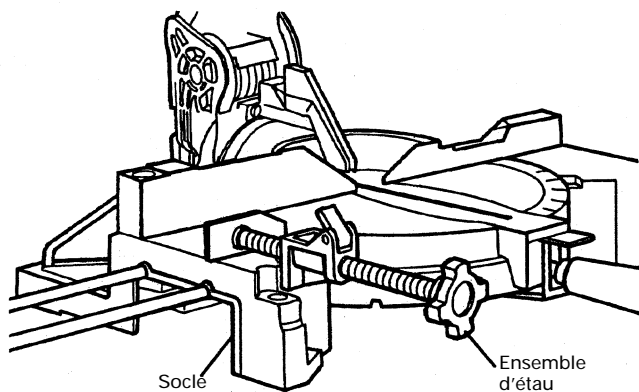


Fig. 20

- (1) L'ensemble d'étau pourra être monté sur le socle gauche ou sur le socle droit, et il pourra être déplacé vers l'avant ou vers l'arrière en fonction de la largeur de la pièce.

Insérer le support de l'ensemble d'étau dans l'orifice situé sur le socle gauche ou sur le socle droit, comme indiqué à la Fig. 20.

### 4. Coupe

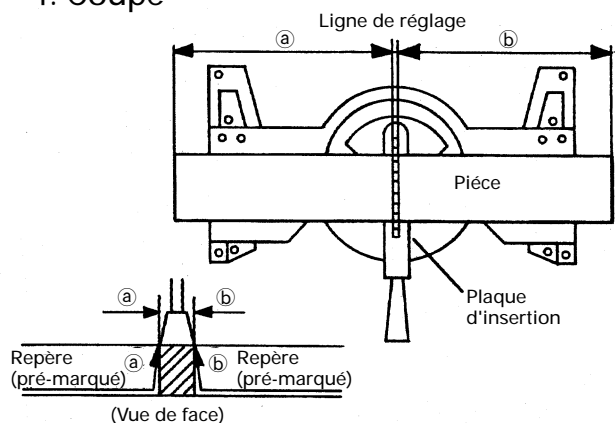


Fig. 21

- (1) Comme indiqué à la Fig. 21, la largeur de la lame est la largeur de coupe. En conséquence, glisser la pièce vers la droite (vue de la position de l'opérateur) pour obtenir la longueur (b), et sur la gauche pour obtenir la longueur (a).
- (2) Quand la lame a atteint sa vitesse maximale, abaisser doucement la poignée jusqu'à ce que la lame approche de la pièce.
- (3) Quand la lame touche la pièce, appuyer progressivement sur la poignée pour couper la pièce.
- (4) Quand la pièce est coupée à la longueur voulue, mettre l'outil électrique hors tension et attendre que la lame soit complètement arrêtée avant de relever la poignée en position complètement rentrée.

- ⚠ ATTENTION:** \* Une pression accrue sur la poignée n'augmentera pas la vitesse de coupe. Au contraire, une pression excessive risque de surcharger le moteur et/ou de réduire le rendement.
- \* Si l'on appuie sur la poignée avec une force excessive ou avec une force latérale, la lame de scie risque de vibrer pendant l'opération de coupe et de laisser des marques de coupe sur la pièce, ce qui réduira la qualité de la coupe. En conséquence, appuyer doucement et délicatement sur la poignée.

- ⚠ AVERTISSEMENT:** \* Vérifier que l'interrupteur à gâchette est coupé (OFF) et que la fiche d'alimentation est débranchée de la prise secteur quand on ne se sert pas de l'outil.

### 5. Procédure de coupe d'onglet

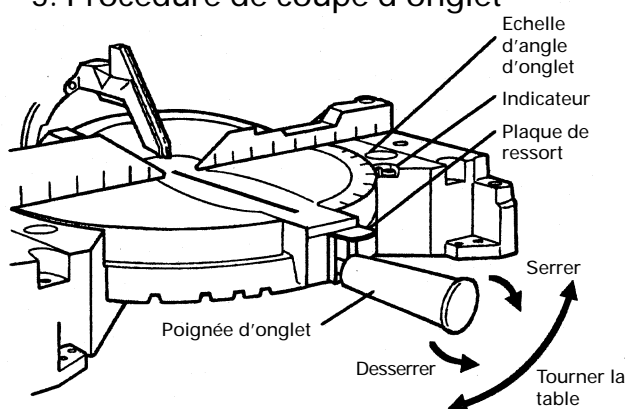


Fig. 22

- (1) Desserrer la poignée de coupe d'onglet et appuyer sur la plaque à ressort.
- (2) Régler la table jusqu'à ce que le repère soit aligné sur la valeur voulue de l'échelle d'angle d'onglet, comme indiqué à la Fig. 22.
- (3) Resserrer la poignée de coupe d'onglet pour fixer la table en position.

- REMARQUE:** \* Des crans positifs sont prévus à droite et à gauche du réglage central de 0°, à 15°, 22,5°, 31,6° et 45°.
- Vérifier que l'échelle d'angle d'onglet et l'extrémité de l'indicateur sont alignés correctement.
- \* Le fonctionnement de l'outil électrique avec l'échelle d'angle d'onglet et l'indicateur non alignés, ou avec la poignée latérale insuffisamment serrée, donnera une mauvaise précision.

## 6. Procédure de coupe de biseau

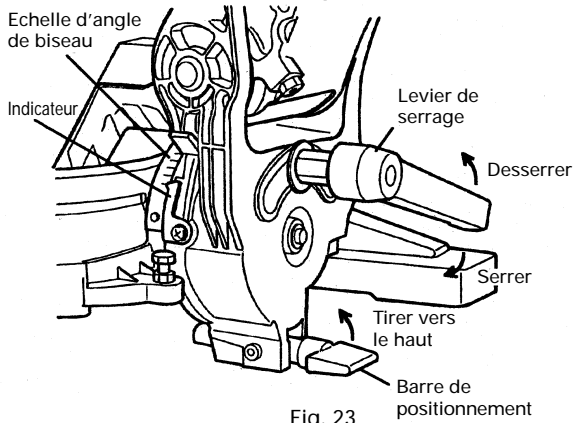


Fig. 23

- (1) Desserrer le levier de serrage et incliner la lame de scie vers la gauche ou vers la droite.  
Pour incliner la tête du moteur vers la droite, tirer sur la barre de positionnement comme indiqué à la Fig. 23.
- (2) Régler l'angle de biseau à l'angle voulu tout en regardant l'échelle d'angle de biseau et l'indicateur, puis fixer le levier de serrage.

**⚠ AVERTISSEMENT:** Quand on fixe la pièce sur le côté gauche ou droit de la lame, la section tronçonnée courte vient reposer sur le côté droit ou gauche de la lame. **Toujours couper l'alimentation et attendre que la lame se soit complètement arrêtée avant de relever la poignée de la pièce.** Si on relève la poignée alors que la lame tourne toujours, la section tronçonnée se coincera contre la lame et des fragments s'éparpilleront, ce qui serait dangereux.

## 7. Procédures de coupe mixte

Pour une coupe mixte, suivre les instructions des paragraphes 5 et 6 ci-dessus.

Pour les dimensions maximales de coupe mixte, voir le tableau des "SPECIFICATIONS" à la page 29.

**⚠ ATTENTION:** Pour une coupe mixte, toujours fixer la pièce sur le côté gauche ou droit.

**Ne jamais faire tourner la table vers la droite pour une coupe mixte (coupe de biseau à gauche) car la lame de scie pourrait entrer en contact avec le crampon ou l'étau qui fixe la pièce et provoquer des blessures physique ou des dommages.**

**Ne jamais faire tourner la table vers la gauche pour une coupe mixte (coupe de biseau à droite) car la lame de scie pourrait entrer en contact avec le crampon ou l'étau qui fixe la pièce et provoquer des blessures physiques ou des dommages.**

## 8. Procédures de coupe de corniche complexe

La Fig. 24 montre deux types de corniche complexe courants ayant des angles de 38° et de 45°. Pour les montures de corniche complexe, voir la Fig. 25.

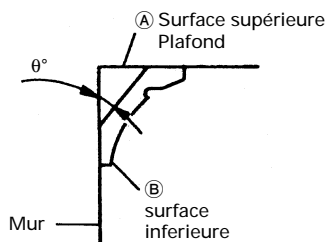


Fig. 24

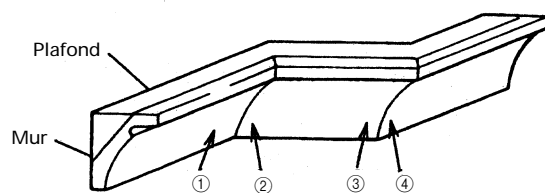


Fig. 25

Le tableau ci-dessous montre les réglages d'angle d'onglet et d'angle de biseau qui conviennent le mieux pour les deux types de corniche complexe.

**REMARQUE:** A des fins de commodité, des crans ont été prévus aux positions de réglage de l'angle d'onglet (31,6° à gauche ou à droite).

### Réglage d'une coupe d'onglet

Si la table est réglée sur l'un des angles décrits, déplacer la poignée d'onglet de réglage de la plaque tournante légèrement vers la droite ou vers la gauche pour stabiliser la position et aligner correctement l'échelle d'onglet et l'extrémité de l'indicateur avant de commencer le travail.

### Réglage d'une coupe de biseau

Déplacer la poignée de la section de biseau vers la droite et vers la gauche et vérifier que la position est stable et que l'échelle d'angle et l'extrémité de l'indicateur sont alignés correctement. Puis, serrer le levier de serrage.

Type de corniche complexe	Pour découper une corniche complexe aux positions ① et ④ de la Fig. 25.			Pour découper une corniche complexe aux positions ② et ③ de la Fig. 25.		
	Réglage d'angle d'onglet		Réglage d'angle de biseau	Réglage d'angle de biseau		Réglage d'angle d'onglet
Type 45°	Droite 35,3°	Gauche 30°	Droite 30°	Gauche 35,3°	Gauche 30°	Droite 30°
Type 38°	Droite 31,6°	Gauche 33,9° (repère ⊥)	Droite 33,9° (repère ⊥)	Gauche 31,6°	Gauche 33,9° (repère ⊥)	Droite 33,9° (repère ⊥)

**(1) Réglage de coupe en corniche complexe aux positions ① et ④ de la Fig. 25 (voir Fig. 26 ; incliner la tête vers la gauche) :**

- ① Tourner la plaque tournante vers la droite et régler l'angle d'onglet comme suit :
  - \* Pour des corniches complexes de type 45° : 35,3°
  - \* Pour des corniches complexes de type 38° : 31,6°
- ② Incliner la tête vers la gauche et régler l'angle de biseau comme suit :
  - \* Pour des corniches complexes de type 45° : 30°
  - \* Pour des corniches complexes de type 38° : 33,9° (repère ⊥)
- ③ Disposer la corniche complexe de façon que la surface inférieure (A sur la Fig. 24) touche la garde comme indiqué à la Fig. 27.

**(2) Réglage de coupe en corniche complexe aux positions ② et ③ de la Fig. 25 (voir Fig. 28 ; incliner la tête vers la gauche) :**

- ① Tourner la table vers la droite et régler l'angle d'onglet comme suit :
  - \* Pour des corniches complexes de type 45° : 35,3°
  - \* Pour des corniches complexes de type 38° : 31,6°
- ② Incliner la tête vers la gauche et régler l'angle de biseau comme suit :
  - \* Pour des corniches complexes de type 45° : 30°
  - \* Pour des corniches complexes de type 38° : 33,9° (repère ⊥)
- ③ Disposer la corniche complexe de façon que la surface supérieure (B sur la Fig. 24) touche la garde comme indiqué à la Fig. 29.

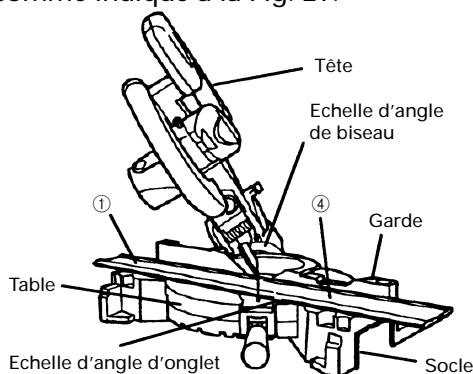


Fig. 26

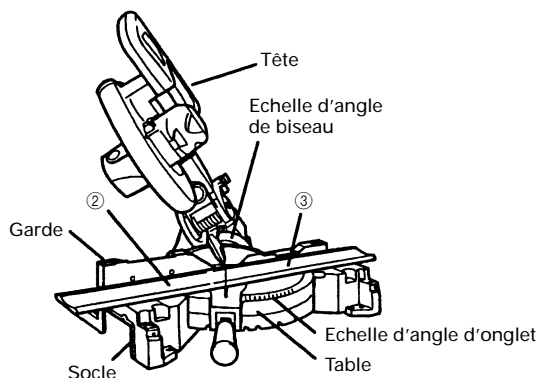


Fig. 28

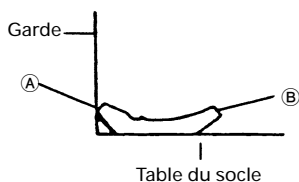


Fig. 27

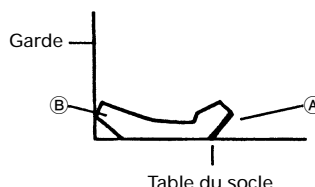


Fig. 29

**(3) Réglage pour des coupes de corniches complexes aux positions ① et ④ de la Fig. 25 (voir Fig. 30) :**

- ① Tourner la table vers la droite et régler l'angle d'onglet comme suit :
  - \* Pour des corniches complexes de 45° : 35,3°
  - \* Pour des corniches complexes de 38° : 31,6°
- ② Incliner la tête vers la droite et régler l'angle de biseau comme suit :
  - \* Pour des corniches complexes de 45° : 30°
  - \* Pour des corniches complexes de 38° : 33,9° (repère ⊥)
- ③ Disposer la corniche complexe de façon que la surface supérieure (B à la Fig. 24)) entre en contact avec la garde, comme indiqué à la Fig. 31.

(4) Réglage pour des coupes de corniches complexes aux positions ② et ③ de la Fig. 25 (voir Fig. 32) :

- ① Tourner la table vers la gauche et régler l'angle d'onglet comme suit :
  - \* Pour des corniches complexes de 45° : 35,3°
  - \* Pour des corniches complexes de 38° : 31,6°
- ② Incliner la tête vers la droite et régler l'angle de biseau comme suit :
  - \* Pour des corniches complexes de 45° : 30°
  - \* Pour des corniches complexes de 38° : 33,9° (repère ↓)
- ③ Disposer la corniche complexe de façon que la surface inférieure (A à la Fig. 24)) entre en contact avec la garde, comme indiqué à la Fig. 33.

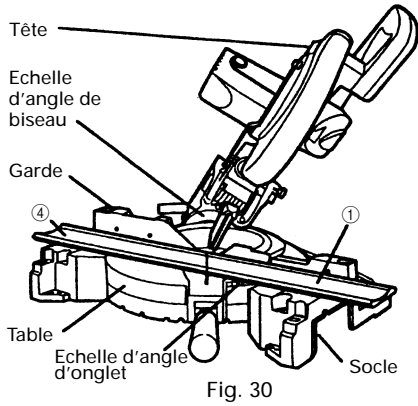


Fig. 30

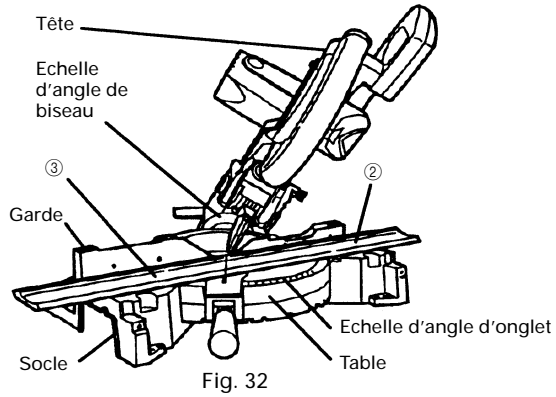


Fig. 32

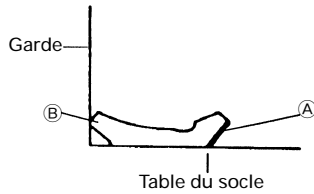


Fig. 31

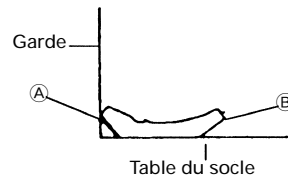


Fig. 33

9. Coupe de matériaux qui se déforment facilement, par exemple une feuille d'aluminium

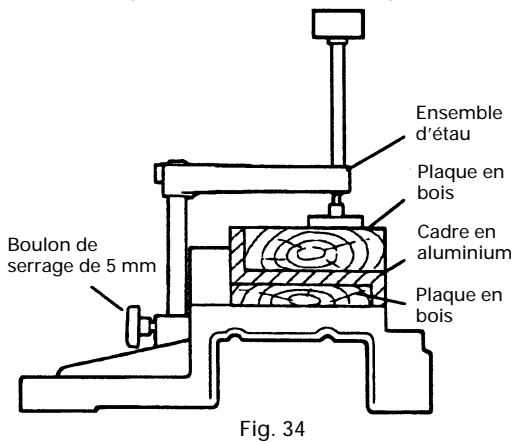


Fig. 34

Les matériaux comme l'aluminium en feuille se déforment facilement quand ils sont serrés trop fort dans un étau. Cela ne permettra pas une bonne coupe et risque de provoquer une surcharge du moteur.

Pour couper ce genre de matériaux, utiliser une planche de bois pour protéger la pièce comme indiqué à la Fig. 34.

Pour couper de l'aluminium, enduire la lame d'une huile de coupe (non-combustible) pour obtenir une coupe régulière et un bon fini.

10. Utilisation du sac à copeaux (Accessoire standard)

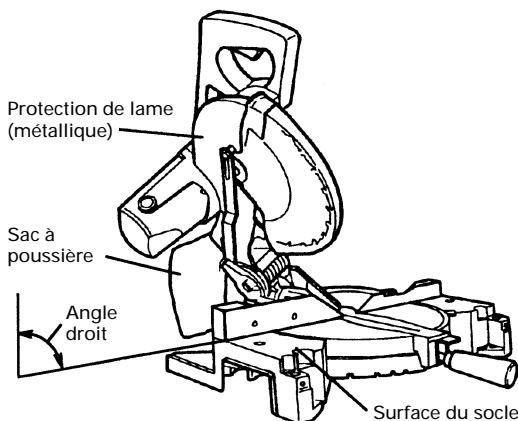


Fig. 35

(1) Si le sac à copeaux est plein, les copeaux sortent du sac quand la lame tourne. Vérifier le sac à copeaux périodiquement et le vider avant qu'il ne soit plein.

(2) Lors d'une coupe de biseau ou d'une coupe mixte, fixer le sac à copeaux à angle droit sur la surface du socle comme indiqué à la Fig. 35.

**⚠ ATTENTION:** Vider le sac à copeaux fréquemment pour éviter que le conduit et la protection de lame (métallique) ne soient bouchés.

Les copeaux s'accumulent plus rapidement lors d'une coupe de biseau.

## INSTALLATION ET RETRAIT DE LA LAME

**⚠ AVERTISSEMENT:** Pour éviter tout risque d'accident ou de blessure, toujours couper l'interrupteur à gâchette et débrancher la fiche de la prise secteur avant de retirer ou d'installer la lame.

### 1. Installation de la lame

- (1) Tourner la protection de lame (en plastique) sur la position supérieure.
- (2) Desserrer la vis de 5 mm pour libérer la protection de l'arbre du couteau. Puis, tourner la protection de l'arbre du couteau sur la position supérieure, comme indiqué à la Fig. 36-b.  
A ce moment, la protection de lame (en plastique) bouge en même temps.
- (3) Appuyer sur le verrou d'axe et desserrer le boulon avec une clé.  
Le boulon ayant un filetage à gauche, le desserrer en le tournant vers la droite, comme indiqué à la Fig. 36-b.

**REMARQUE :** S'il n'est pas facile d'enfoncer le verrou d'axe pour verrouiller l'arbre, tourner le boulon à l'aide de la clé à douille tout en appuyant sur le verrou d'axe.  
L'arbre de la lame est verrouillé quand le verrou d'axe est enfoncé.

- (4) Retirer le boulon et le collier d'arbre.

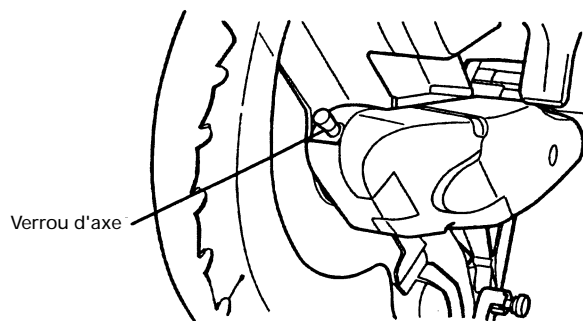


Fig. 36-a

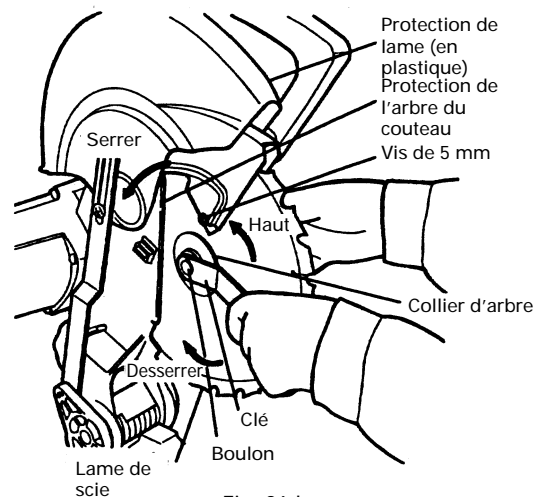


Fig. 36-b

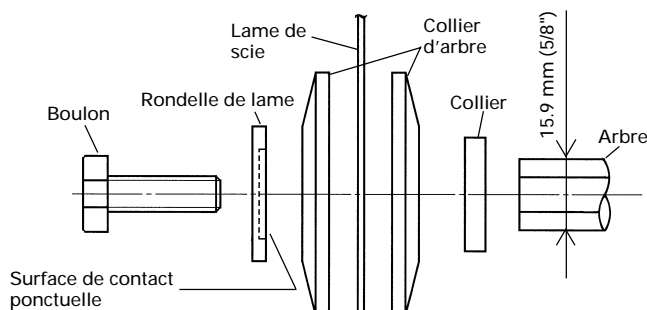


Fig. 36-c

- (5) Monter la lame de scie.

**⚠ AVERTISSEMENT:** Pour monter la lame, vérifier que le repère de l'indicateur de rotation de la lame et le sens de rotation de la protection de lame (métallique) correspondent.

- (6) Nettoyer complètement le collier, le collier d'arbre, la rondelle de lame (en vérifiant le sens de montage) et le boulon, et les installer sur l'arbre comme indiqué à la Fig. 36-c.
- (7) Appuyer sur le verrou d'axe et serrer le boulon en le tournant vers la gauche à l'aide de la clé à douille de 10 mm. comme indiqué à la Fig. 36-b.

**⚠ ATTENTION:** \* Vérifier que le verrou d'axe est revenu en position rentrée après le retrait ou l'installation de la lame.

\* Serrer le boulon de façon qu'il ne se desserre pas pendant le fonctionnement.  
Vérifier que le boulon est solidement vissé avant de mettre l'outil électrique en marche.

- (8) Tourner la protection de l'arbre du couteau sur sa position initiale et serrer la vis de 5 mm.
- (9) Mettre la protection de lame (en plastique) en position abaissée.



## 2. Retrait de la lame

Démonter la lame en procédant dans l'ordre inverse de l'installation décrite au paragraphe 1 ci-dessus. La lame s'enlève facilement si le carter de sécurité est relevé.

**⚠ ATTENTION:** Ne jamais tenter d'installer des lames de scie de plus de 255 mm (10") de diamètre. Toujours installer des lames de scie d'un diamètre égal ou inférieur à 255 mm (10").

## DISPOSITIF DE PROTECTION ANTI-SURCHARGE DE LA POLY-COURROIE EN V

La puissance du moteur se transmet à la lame par l'intermédiaire d'une poly-courroie en V. Quand la poly-courroie en V subit une surcharge, le dispositif de protection anti-surcharge coupe le courant pour arrêter le moteur.

Dans ce cas, couper immédiatement l'interrupteur à gâchette et relever la poignée sur sa position d'origine. Puis, enclencher l'interrupteur et laisser l'outil marcher pendant 20 secondes à vide pour refroidir le moteur. Puis, commencer la coupe. La poly-courroie en V du moteur sera endommagée si le dispositif de protection anti-surcharge se déclenche trop fréquemment.

**⚠ ATTENTION:** Quand le dispositif de protection anti-surcharge arrête le moteur, il faudra enclencher l'interrupteur après l'avoir coupé pour redémarrer le moteur. Quand en enclenche l'interrupteur, vérifier que la lame ne se trouve pas à moitié insérée dans le matériau.

## ENTRETIEN ET INSPECTION

**⚠ AVERTISSEMENT:** Pour éviter tout risque d'accident ou de blessure, toujours vérifier que l'interrupteur à gâchette est coupé et que la fiche d'alimentation est débranchée de la prise secteur avant d'entretenir ou d'inspecter l'outil.

### 1. Inspection de la lame

Toujours remplacer la lame dès qu'elle présente des signes d'usure ou de dommage.

Une lame endommagée risque de provoquer des blessures, et une lame usée peut réduire le rendement et provoquer une surcharge du moteur.

**⚠ ATTENTION:** Ne jamais utiliser de lame émoussée. Si la lame est émoussée, sa résistance à la pression de la main appliquée par la poignée de l'outil a tendance à augmenter, ce qui rend le fonctionnement de l'outil électrique peu sûr.

### 2. Inspecter les balais carbone (Fig. 37 et Fig. 38)

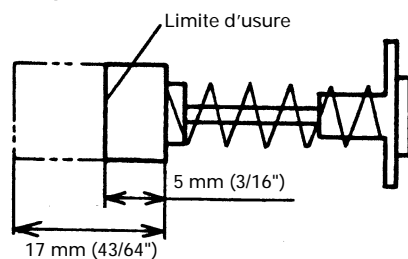


Fig. 37

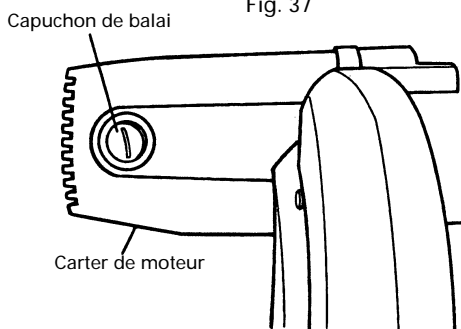


Fig. 38

Les balais carbone du moteur sont des pièces consommables.

Si les balais en carbone sont usés, le moteur risque d'avoir des anomalies.

En conséquence, inspecter périodiquement les balais en carbone et les remplacer.

Vérifier les balais en carbone au bout des 50 premières heures d'utilisation avec un outil neuf ou après l'installation d'un nouveau jeu de balais en carbone. Après la première vérification, examiner les balais en carbone environ toutes les 10 heures d'utilisation jusqu'à ce qu'il soit nécessaire de les remplacer.

Si le carbone de l'un des balais est usé jusqu'à la limite de 5 mm de longueur, ou si le ressort ou le fil de shunt sont brûlés ou endommagés de quelque façon que ce soit, remplacer les deux balais en carbone (voir Fig. 37). Si les balais en carbone se révèlent encore bons quand on les a démontés, les remonter à la même position qu'avant le retrait.

Par ailleurs, maintenir les balais carbone propres de façon qu'ils glissent régulièrement dans les porte-balai. Les balais carbone sont faciles à retirer ; pour cela, retirer les têtes porte-balai (voir Fig. 38) avec un tournevis à tête plate (signe moins).

### 3. Inspection des vis de montage

Inspecter régulièrement chaque composant de l'outil électrique pour voir s'il n'est pas lâche. Resserrer les vis de fixation des pièces lâches.

**⚠ AVERTISSEMENT:** Pour éviter tout risque de blessure, ne jamais faire fonctionner l'outil électrique si certains de ses composants sont lâches.

#### 4. Vérifier si la protection de lame fonctionne correctement.

Avant chaque utilisation de l'outil, tester la protection de lame (voir Fig.8) pour s'assurer qu'elle fonctionne correctement et en douceur.

Ne jamais utiliser l'outil si la protection de lame ne fonctionne pas correctement et s'ils ne sont pas en bon état mécanique.

#### 5. Remisage

Quand le travail est terminé, vérifier que l'on a bien effectué toutes les opérations suivantes :

- (1) Interrupteur à gâchette en position OFF,
- (2) Fiche d'alimentation débranchée de la prise secteur,
- (3) Rangé en lieu sûr.

Si l'on ne prévoit pas de se servir de l'outil, le ranger dans un lieu sec et hors de portée des enfants.

#### 6. Remplacement de la poly-courroie en V

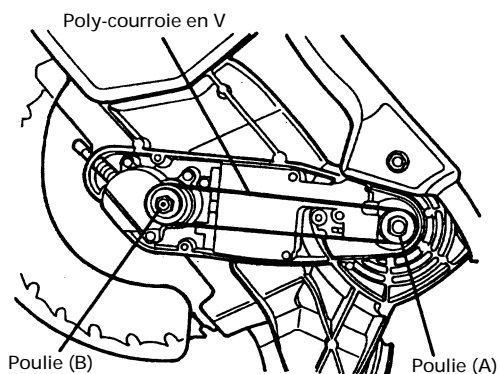


Fig. 39

La puissance du moteur est transmise à la lame de scie via une poly-courroie en V. Si la poly-courroie en V est cassée ou endommagée, retirer le couvercle arrière en desserrant les trois vis de 5 mm et remplacer la courroie endommagée par une neuve. Pour remettre la courroie sur les poulies, insérer tout d'abord 2 ou 3 dents de la poly-courroie en V dans les encoches de la poulie (A) et de la poulie (B). Puis, tout en tournant la poulie (A) et la poulie (B), insérer la totalité des 10 dents de la courroie dans les poulies.

#### 7. Graissage

Graisser les surfaces de glissement suivantes une fois par mois pour maintenir l'outil électrique en bon état de marche pendant longtemps (voir Fig. 1 et Fig. 2). Il est recommandé d'utiliser une huile de machine.

Points de graissage :

- \*Section rotative du régulateur d'angle
- \*Section rotative de l'ensemble d'étau
- \*Section rotative de la table et du socle

#### 8. Nettoyage

Enlever périodiquement les copeaux et autres débris de la surface de l'outil électrique avec un chiffon humide et savonneux. Pour éviter tout mauvais fonctionnement du moteur, le protéger de tout contact avec l'huile ou l'eau.

## SERVICE APRÈS-VENTE ET RÉPARATIONS

Tous les outils électriques de qualité finissent un jour par avoir besoin de réparations ou de remplacement de pièces sous l'effet d'une usure normale. Pour garantir que seules des pièces de rechange agréées seront utilisées et que le système de double isolation sera protégé, il faudra confier toutes les opérations d'entretien (autres que l'entretien de routine) exclusivement à un SERVICE APRES-VENTE D'OUTILS ELECTRIQUES HITACHI AGREE.

**REMARQUE:** Les spécifications sont sujettes à modification sans obligations de la part d'HITACHI.

## **INFORMACIÓN IMPORTANTE**

Antes de utilizar o realizar cualquier trabajo de mantenimiento de esta herramienta eléctrica, lea y comprenda todas las instrucciones de operación, las precauciones de seguridad, y las advertencias de este Manual de instrucciones.

La mayoría de los accidentes producidos en la operación y el mantenimiento de una herramienta eléctrica se deben a la falta de observación de las normas o precauciones de seguridad. Los accidentes normalmente podrán evitarse reconociendo una situación potencialmente peligrosa a tiempo y siguiendo los procedimientos de seguridad apropiados.

Las precauciones básicas de seguridad se describen en la sección "SEGURIDAD" de este Manual de instrucciones y en las secciones que contienen las instrucciones de operación y mantenimiento.

Para evitar lesiones o el daño de la herramienta eléctrica, los riesgos están identificados con ADVERTENCIAS en dicha herramienta y en este Manual de instrucciones.

No utilice nunca esta herramienta eléctrica de ninguna forma no específicamente recomendada por HITACHI a menos que usted se haya asegurado de que la utilización planeada será segura para usted y otras personas.

## **SIGNIFICADO DE LAS PALABRAS CLAVE**

**⚠ ADVERTENCIA:** indica situaciones potencialmente peligrosas que, si se ignoran, pueden resultar en lesiones serias.

**⚠ PRECAUCIÓN:** indica situaciones potencialmente peligrosas que, si se ignoran, pueden resultar en lesiones moderadas, o que pueden causar averías en la herramienta eléctrica.

**NOTA:** acentúa información esencial.

# **SEGURIDAD**

## **NORMAS DE SEGURIDAD PARA LAS HERRAMIENTAS ELÉCTRICAS**

**LEA TODAS LAS ADVERTENCIAS E INSTRUCCIONES DE OPERACIÓN DE ESTE MANUAL ANTES DE UTILIZAR ESTA HERRAMIENTA O DE REALIZAR TRABAJOS DE MANTENIMIENTO EN LA MISMA.**

**⚠ ADVERTENCIA:** Cuando utilice esta herramienta eléctrica, tome todas las precauciones necesarias para reducir al mínimo el riesgo de descargas eléctricas y demás lesiones. En particular, observe siempre las normas de seguridad siguientes:

- 1. MANTENGA SIEMPRE LOS PROTECTORES EN SU LUGAR,** y en perfectas condiciones de trabajo.
- 2. ANTES DE PONER EN FUNCIONAMIENTO LA HERRAMIENTA, QUÍTELE TODAS LAS CHAVETAS Y LLAVES DE AJUSTE.** Antes de conectar la alimentación de la herramienta eléctrica, confirme que todas las chavetas y llaves de ajuste estén extraídas de la misma.
- 3. MANTENGA SIEMPRE EL ÁREA DE TRABAJO LIMPIA.** Evite lesiones debidas al desorden del área y el banco de trabajo.
- 4. NO UTILICE NUNCA LA HERRAMIENTA EN AMBIENTES PELIGROSOS.** No utilice nunca la herramienta eléctrica en lugares húmedos, y no la exponga nunca a la humedad. Mantenga siempre bien iluminada el área de trabajo.
- 5. NO PERMITA QUE LOS NIÑOS NI OTRAS PERSONAS ENTREN EN EL ÁREA DE TRABAJO.** Mantenga a las personas (especialmente los niños) alejadas del área de trabajo. Desenchufe siempre las herramientas desatendidas y bloquee el área de trabajo instalando cerraduras en las puertas y seguros en los interruptores principales.
- 6. NO FUERCE NUNCA LA HERRAMIENTA.** La herramienta trabajará mejor y con mayor seguridad si la utiliza con el régimen para el que fue diseñada.

7. **UTILICE SIEMPRE LAS HERRAMIENTAS CORRECTAS.** No fuerce nunca una herramienta ni un accesorio para realizar un trabajo para el que no se haya diseñado.
8. **ANTES DE TRABAJAR CON LA HERRAMIENTA, VÍSTASE LA ROPA ADECUADA.** No utilice nunca ropa floja, guantes, corbatas, collares, anillos, brazaletes, ni demás joyas que puedan quedar atrapados en las partes móviles. Utilice siempre calzado antideslizable, preferiblemente con punteras reforzadas con acero. Si tiene el pelo largo, recoja y cúbrelo.
9. **ANTES DE UTILIZAR LA HERRAMIENTA, UTILICE GAFAS PROTECTORAS PARA EVITAR DAÑAR SUS OJOS.** Las gafas normales no proveen una protección suficiente debido a que sus lentes son sólo resistentes a los impactos y NO son gafas de seguridad. Además, utilice una careta como protección adicional, y utilice una máscara contra el polvo si la operación de corte produce polvo.
10. **ASEGURE SIEMPRE LA PIEZA DE TRABAJO EN LA ESCUADRA DE GUÍA O EN LA MESA.** Utilice abrazaderas o un tornillo de carpintero para sujetar la pieza de trabajo. Es más seguro utilizar que utilizar su mano, porque podrá usar ambas para manejar la herramienta.
11. **NO SE EXTRALIMITE NUNCA.** Cuando trabaje con la herramienta, mantenga en todo momento el equilibrio.
12. **MANTENGA SIEMPRE LAS HERRAMIENTAS EN PERFECTAS CONDICIONES.** Guarde siempre las herramientas afiladas y limpias para que rindan al máximo y ofrezcan la mayor seguridad. Siga siempre las instrucciones sobre lubricación y cambio de accesorios de las herramientas.
13. **DESCONECTE SIEMPRE LA HERRAMIENTA** antes de realizar la operación de mantenimiento y de cambiar la hoja de sierra y demás accesorios.
14. **TENGA CUIDADO CON LA PUESTA EN FUNCIONAMIENTO ACCIDENTAL AL ENCHUFAR LA HERRAMIENTA.** Antes de insertar el enchufe de alimentación en un tomacorriente, cerciórese de que el interruptor esté en la posición OFF.
15. **CON ESTA HERRAMIENTA UTILICE SIEMPRE SOLAMENTE LOS ACCESORIOS RECOMENDADOS.** Con respecto a la descripción sobre los accesorios recomendados, consulte el manual de instrucciones. Para evitar lesiones, con esta herramienta, utilice solamente los accesorios recomendados.
16. **NO SE SUBA NUNCA SOBRE LA HERRAMIENTA.** La caída de la herramienta o un contacto involuntario con la hoja de sierra podría producir lesiones de gravedad.
17. **ANTES DE UTILIZAR LA HERRAMIENTA, COMPRUEBE SI TIENE PARTES DAÑADAS.** Compruebe siempre si el protector y los demás componentes están dañados antes de utilizar la herramienta para asegurarse de que funcionen adecuadamente. Compruebe si todas las partes móviles están adecuadamente alineadas, no están dobladas, y no se encuentran en otras condiciones que puedan afectar la operación apropiada. Antes de utilizar la herramienta, repare o reemplace siempre cualquier protector o componente dañado.
18. **ANTES DE UTILIZAR LA HERRAMIENTA, COMPRUEBE SIEMPRE EL SENTIDO DE GIRO DE LA HOJA DE SIERRA.** Alimente siempre la pieza de trabajo en la herramienta en sentido contrario al de giro de la hoja de sierra a fin de evitar posibles lesiones.
19. **NO DEJE LA HERRAMIENTA DESATENDIDA EN FUNCIONAMIENTO. DESCONECTE LA ALIMENTACIÓN.** No deje la herramienta mientras no se haya parado completamente. Cuando no vaya a utilizar la herramienta, desenchufe su cable de alimentación.
20. Esta herramienta no ha sido diseñada para aplicaciones de producción en masa, y no deberá utilizarse para ello.
21. Cuando tenga que reemplazar esta herramienta, utilice solamente las piezas de reemplazo autorizadas.
22. Aplique solamente 115 voltios CA a esta unidad. Si le aplicase una tensión incorrecta, o tensión de CC, la HERRAMIENTA ELÉCTRICA podría funcionar incorrectamente y causar lesiones o daños a la propia herramienta.
23. No levante nunca la hoja de sierra de la pieza de trabajo mientras no se haya parado completamente.
24. Utilice siempre soportes para piezas de trabajo largas que sobrepasen la longitud de la mesa de la sierra compuesta deslizable.
25. **ENCHUFES POLARIZADOS** Para reducir el riesgo de descargas eléctricas, este equipo posee un enchufe polarizado (una cuchilla del mismo es más amplia que la otra). Este enchufe solamente encajará de una forma en un tomacorriente polarizado. Si el enchufe no encaja en el tomacorriente, póngase en contacto con un electricista cualificado para que le instale el tomacorriente apropiado. No cambie nunca el enchufe del cable de alimentación.

## Normas de seguridad específicas para la utilización de esta herramienta

**⚠ ADVERTENCIA:** Las instrucciones de operación específicas siguientes deberán observarse cuando se utilice esta HERRAMIENTA ELÉCTRICA a fin de evitar lesiones.


### LO QUE DEBERÁ HACERSE

#### TENGA SIEMPRE EN CUENTA LAS NORMAS SIGUIENTES PARA PODER UTILIZAR CON SEGURIDAD ESTA HERRAMIENTA:

1. Antes de intentar utilizar esta HERRAMIENTA ELÉCTRICA, lea este manual y familiarícese con las normas de seguridad y las instrucciones de operación.
2. Antes de utilizar la HERRAMIENTA ELÉCTRICA, confirme que esté limpia.
3. Para utilizar la HERRAMIENTA ELÉCTRICA, vístase ropa ajustada, calzado no deslizante (preferiblemente con punteras reforzadas con acero) y gafas protectoras.
4. Maneje la HERRAMIENTA ELÉCTRICA con cuidado. Si la HERRAMIENTA ELÉCTRICA se cae o se golpea contra un objeto duro, puede deformarse o rajarse, o sufrir otros daños.
5. Si nota cualquier anomalía, deje de utilizar inmediatamente la sierra.
6. Antes de utilizar la herramienta, compruebe si todos los componentes están montados adecuadamente y con seguridad.
7. Cuando reemplace la hoja de sierra, confirme que las rpm de la nueva sean correctas para utilizarse con esta unidad.
8. Antes de realizar cualquier trabajo de mantenimiento o ajuste, desconecte la alimentación y espere hasta que la hoja de sierra se haya parado completamente.
9. Sujete o asegure la pieza de trabajo en la escuadra de guía, ya que de lo contrario podría salirse de la mesa y causar lesiones serias.
10. Durante el corte de ingletes o en bisel, espere siempre hasta que la hoja de sierra se haya parado completamente antes de levantarla.
11. Realice siempre una prueba antes de intentar utilizar una hoja de sierra nueva.
12. Maneje siempre la hoja de sierra con cuidado con la desmonte o monte.
13. Antes de utilizar la sierra, compruebe siempre si la pieza de trabajo está exenta de puntas y demás objetos extraños.
14. Mantenga siempre las manos alejadas del trayecto de la hoja de sierra.
15. Confirme siempre que las cubiertas de seguridad estén en el sitio apropiado antes de utilizar la sierra.
16. Inspeccione periódicamente el cable de alimentación de la herramienta.
17. Antes de poner en funcionamiento la herramienta, confirme si la longitud del cable de alimentación y de los cables prolongadores, si va a utilizarlos, es apropiada.
18. Antes de utilizar la herramienta, confirme que los orificios de ventilación del motor estén completamente abiertos.
19. Antes de comenzar a cortar, espere siempre hasta que el motor haya alcanzado la velocidad plena.
20. Mantenga siempre las empuñaduras secas, limpias, y exentas de aceite y grasa. Cuando utilice la herramienta, sujétela firmemente.
21. Para piezas de trabajo que sobrepasen la mesa de la sierra compuesta deslizante, utilice soportes.
22. Utilice siempre la herramienta después de haberse asegurado de que la pieza de trabajo esté adecuadamente fijada con un tornillo de carpintero.
23. Las instrucciones de funcionamiento proporcionadas con la herramienta deberán indicar al usuario cómo asegurar la herramienta a la estructura de soporte si, durante la operación normal, tiende a volcarse, deslizarse o desplazarse sobre la superficie de soporte.

## LO QUE NO DEBERÁ HACERSE

### **NO VIOLE NUNCA LAS NORMAS SIGUIENTES PARA PODER UTILIZAR CON SEGURIDAD ESTA HERRAMIENTA:**

1. No utilice nunca la HERRAMIENTA ELÉCTRICA a menos que haya comprendido completamente las instrucciones de operación contenidas en este manual.
2. No deje nunca la HERRAMIENTA ELÉCTRICA desatendida sin haber desenchufado antes el cable de alimentación.
3. No utilice nunca la HERRAMIENTA ELÉCTRICA cuando esté cansado, después de haber ingerido medicamentos, o cuando haya tomado bebidas alcohólicas.
4. No utilice nunca la HERRAMIENTA ELÉCTRICA para aplicaciones no especificadas en este manual.
5. No utilice nunca la herramienta con ropa floja, corbata, ni joyas, ni si haberse cubierto el pelo para evitar que puedan quedar atrapados en las partes móviles.
6. No acerque las manos a la hoja de sierra.
7. No toque nunca las partes móviles, incluyendo la hoja de sierra, mientras esté utilizando la sierra.
8. No quite nunca ningún dispositivo de seguridad ni los protectores de la hoja de sierra, ya que la utilización de la herramienta sin ellos podría resultar peligrosa.
9. No bloquee nunca la cubierta de seguridad; confirme que se deslice suavemente antes de utilizar la herramienta.
10. No dañe nunca el cable de alimentación de la herramienta.
11. No intente mover nunca una HERRAMIENTA ELÉCTRICA con el dedo en el interruptor de disparo.
12. No intente nunca utilizar la HERRAMIENTA ELÉCTRICA si el interruptor de disparo no funciona adecuadamente.
13. No utilice nunca la HERRAMIENTA ELÉCTRICA si la envoltura de plástico o la empuñadura está rajada o deformada.
14. No utilice nunca la HERRAMIENTA ELÉCTRICA cerca de líquidos ni gases inflamables porque las chispas podrían causar una explosión.
15. No limpie nunca los componentes de plástico con disolventes, porque el plástico podría disolverse.
16. No utilice nunca la herramienta a menos que los protectores de la hoja de sierra estén en su lugar.
17. No levante nunca la hoja de sierra de la pieza de trabajo mientras no se haya parado completamente.
18. No coloque nunca sus miembros dentro de la línea cerca del signo de advertencia "  " mientras esté utilizando la herramienta. Esto podría resultar peligroso.
19. No utilice nunca hojas de tipo abrasivo con esta herramienta.
20. No exponga nunca la herramienta a la lluvia, ni la utilice en lugares húmedos.
21. No corte nunca metales ferrosos ni mampostería.

## ADVERTENCIA

### **PARA SU PROPIA SEGURIDAD, ANTES DE UTILIZAR ESTA SIERRA COMPUESTA LEA ESTE MANUAL DE INSTRUCCIONES.**

1. Para utilizar esta sierra compuesta, utilice siempre gafas protectoras.
2. Mantenga siempre las manos fuera del trayecto de la hoja de sierra.
3. No utilice nunca la sierra sin los protectores en su lugar.
4. No realice ninguna operación sin las manos con esta sierra compuesta.
5. No acerque nunca las manos a la hoja de sierra.
6. Antes de mover la pieza de trabajo o de cambiar los ajustes espere siempre a que la hoja de sierra se haya parado completamente.
7. Desconecte siempre la herramienta antes de cambiar la hoja de sierra o de realizar cualquier trabajo de mantenimiento.
8. El diámetro de la hoja de sierra es de 255 mm (10").
9. La velocidad sin carga es de 3800 rpm.

## PIEZAS DE REEMPLAZO

Para la reparación de una herramienta, utilice solamente piezas de reemplazo idénticas. Las reparaciones solamente deberán realizarse en un centro de servicio autorizado por Hitachi.

## UTILIZACIÓN DE UN CABLE PROLONGADOR

Cerciórese de que el cable prolongador esté en buenas condiciones. Cuando utilice un cable prolongador, cerciórese de que tenga el calibre (grosor) suficiente como para poder conducir la corriente necesaria para la herramienta. Un cable de calibre inferior causaría la caída de tensión, lo que resultaría en pérdida de potencia y en recalentamiento. En la tabla siguiente se indica el calibre correcto de acuerdo con la longitud del cable y la indicación de amperaje de la tabla de características. Cuando menor sea el número de calibre, mayor será el cable.

CALIBRE MÍNIMO PARA CABLES

		Longitud total del cable en pies (metros)			
		0 – 25 (0 – 7,6)	26 – 50 (7,9 – 15,2)	51 – 100 (15,5 – 30,5)	101 – 150 (30,8 – 45,7)
Amperaje nominal		AWG			
Más de	No más de				
	0 – 6	18	16	16	14
	6 – 10	18	16	14	12
	10 – 12	16	16	14	12
	12 – 16	14	12	No se recomienda.	

**⚠ ADVERTENCIA:** Evite descargas eléctricas. No utilice nunca esta herramienta con un cable de alimentación o prolongador dañado ni reparado. Inspeccione regularmente todos los cables eléctricos. No utilice nunca la herramienta cerca del agua ni en ningún otro lugar en el que exista el riesgo de descargas eléctricas.

## AISLAMIENTO DOBLE PARA OFRECER UNA OPERACIÓN MÁS SEGURA

Para garantizar una operación más segura de esta herramienta eléctrica, HITACHI ha adoptado un diseño de aislamiento doble. "Aislamiento doble" significa que se han utilizado dos sistemas de aislamiento físicamente separados para aislar los materiales eléctricamente conductores conectados a la fuente de alimentación del bastidor exterior manejado por el operador. Por lo tanto, en la herramienta eléctrica o en su placa de características aparecen el símbolo "⊞" o las palabras "Double insulation" (aislamiento doble). Aunque este sistema no posee puesta a tierra externa, usted deberá seguir las precauciones sobre seguridad eléctrica ofrecidas en este Manual de instrucciones, incluyendo la no utilización de la herramienta eléctrica en ambientes húmedos.

Para mantener efectivo el sistema de aislamiento doble, tenga en cuenta las precauciones siguientes:

- \* Esta herramienta solamente deberá ser desmontada y montada en un CENTRO DE SERVICIO AUTORIZADO POR HITACHI, y sólo deberán utilizarse piezas de reemplazo genuinas de HITACHI.
- \* Limpie el exterior de la herramienta eléctrica solamente con un paño suave humedecido en agua jabonosa, y después séquela bien.
- \* No utilice disolventes, gasolina, ni diluidor de pintura para limpiar las partes de plástico, ya que podría disolverlas.

**GUARDE ESTAS INSTRUCCIONES  
A MANO PARA QUE PUEDAN  
USARLAS OTROS QUE DESEEN  
UTILIZAR ESTA HERRAMIENTA**

# OPERACIÓN Y MANTENIMIENTO

**NOTA:** La información contenida en este manual ha sido diseñada para ayudarle a realizar una operación segura y a mantener la HERRAMIENTA ELÉCTRICA. Algunas ilustraciones de este manual pueden mostrar detalles o dispositivos diferentes a los de su propia HERRAMIENTA ELÉCTRICA. Además, en algunas ilustraciones, los protectores y cubiertas no se muestran intencionadamente por motivos de ilustración solamente.

## NOMENCLATURA DE PARTES

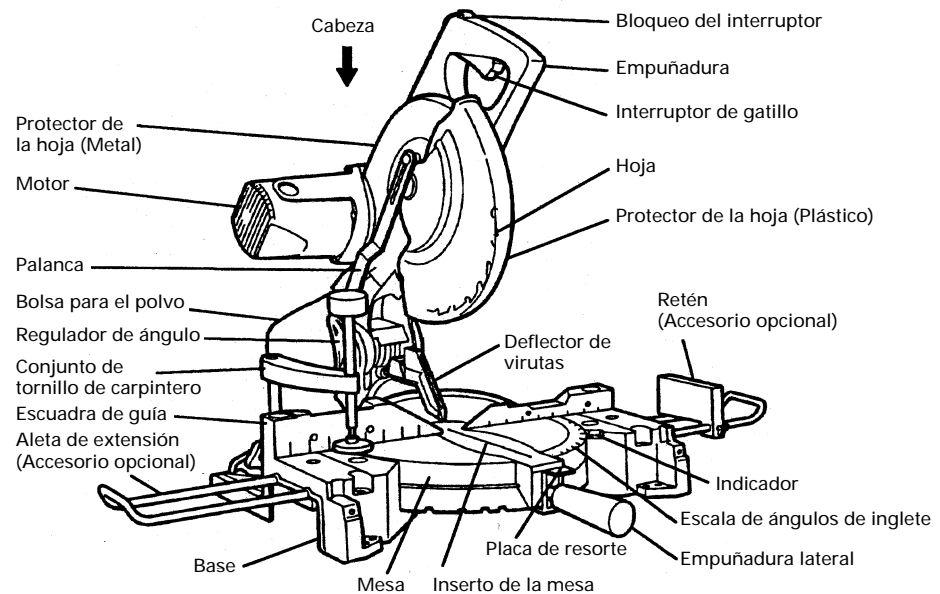


Fig. 1

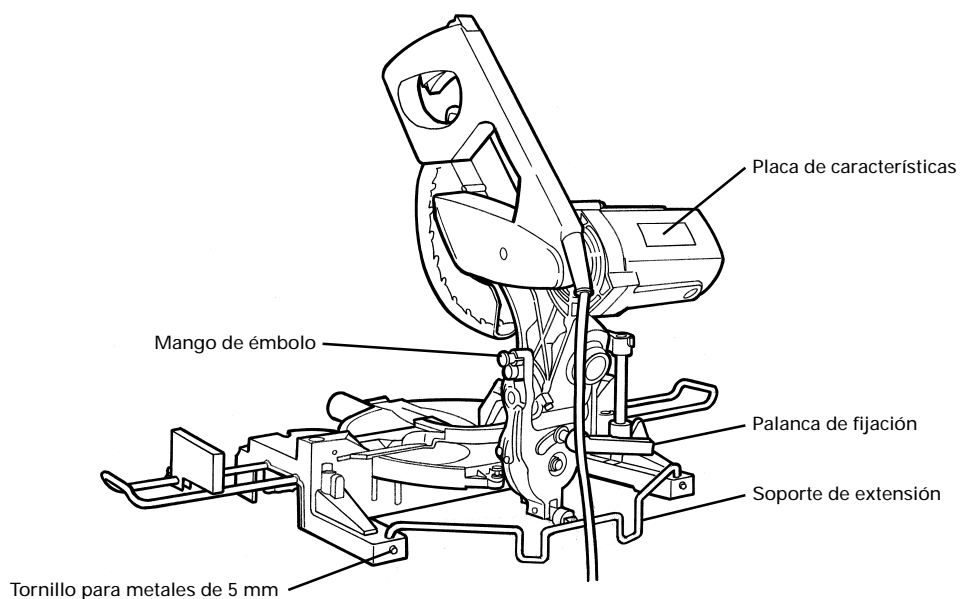


Fig. 2



## ESPECIFICACIONES

Ítem	Modelo:	C 10FCD			
Motor	Tipo	Motor conmutador en serie			
	Fuente de alimentación	Monofásica, CA, 60 Hz			
	Tensión (voltios)	115			
	Corriente a plena carga (amperios)	13			
Hoja de sierra aplicable	Diámetro exterior: 255 mm (10") Diámetro del orificio: 15,9 mm (5/8")				
Velocidad sin carga	3800 rpm				
Dimensión máxima de corte	Bisel de 0°	Inglete de 0°	Altura máx. 69 mm (2-23/32") Anchura máx. 143 mm (5-5/8")	(*Altura máx. 89 mm (3-1/2") *Anchura máx. 92 mm (3-5/8"))	
		Inglete de 45°	Altura máx. 69 mm (2-23/32") Anchura máx. 98 mm (3-7/8")		
	Bisel a la izquierda de 45°	Inglete de 0°	Altura máx. 45 mm (1-25/32") Anchura máx. 143 mm (5-5/8")		
		Inglete de 45°	Altura máx. 45 mm (1-25/32") Anchura máx. 98 mm (3-7/8")		
	Bisel a la derecha de 45°	Inglete de 0°	Altura máx. 24 mm (15/16") Anchura máx. 120 mm (4-3/4")		
		Inglete de 45°	Altura máx. 24 mm (15/16") Anchura máx. 85 mm (3-11/32")		
	Margen de corte en bisel	0 – 45° a la izquierda, 0 – 45° a la derecha			
	Margen de corte en bisel	0 – 45° a la izquierda, 0 – 45° a la derecha			
Margen de corte compuesto	0° – 45° a la izquierda (bisel), 0° – 45° a la izquierda y la derecha (inglete) 0° – 45° a la derecha (bisel), 0° – 45° a la izquierda y la derecha (inglete)				
Peso neto	13 kg (28,7 libras)				
Cable	Cable armado flexible del tipo de 2 conductores de 2 m (6,6 pies)				

\*Nota: Se deberá fijar una tabla espaciadora de 17 mm de espesor a la escuadra de guía.

## APLICACIONES

Madera, madera laminada, tabla de color, tabla laminada suave, madera prensada, materiales similares a la madera y puertas corredizas de aluminio.

## PREPARATIVOS PREVIOS A LA OPERACIÓN

Antes de utilizar la herramienta eléctrica, realice los preparativos siguientes.

### 1. Instalación

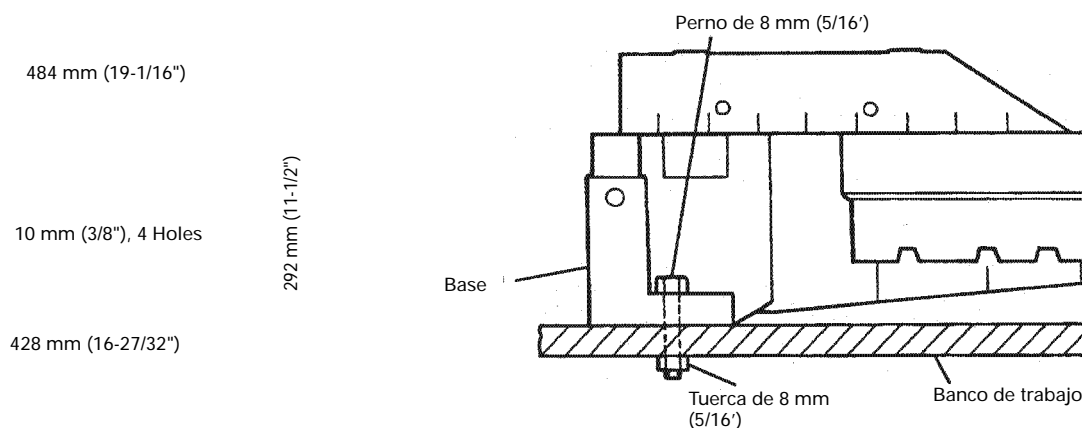


Fig. 4

Coloque la herramienta eléctrica sobre un banco de trabajo horizontal y nivelado, tal como se observa en la Fig. 4.

Seleccione pernos de 8 mm de diámetro (5/16") de un largo adecuado para el espesor del banco de trabajo.

El perno deberá ser de por lo menos 50 mm (2") más largo que el espesor del banco de trabajo.

Por ejemplo, para un banco de trabajo de 25 mm (1") de espesor, utilice pernos de 8 mm (5/16") x 75 mm (3").

El soporte de extensión fijado a la parte posterior de la base (véase Fig.2) ayudará a estabilizar la herramienta eléctrica.

## 2. Liberación del mango de émbolo

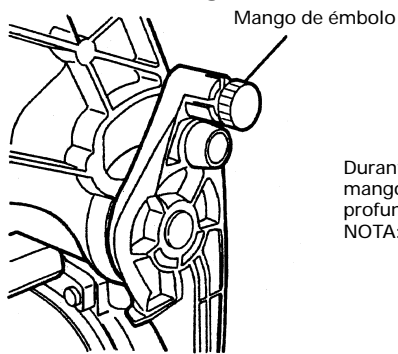


Fig. 5-a

Durante el transporte, fije el mango de émbolo en la ranura profunda.  
 NOTA: Esta posición no se debe utilizar para ninguna operación de corte.

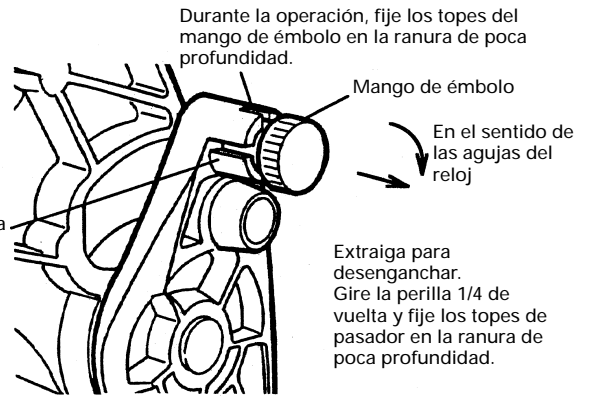


Fig. 5-b

Esta herramienta eléctrica se expide de fábrica con sus componentes principales asegurados mediante el mango de émbolo. Mueva ligeramente la empuñadura para que el mango de émbolo pueda soltarse y ajustarse de la manera indicada en la Fig. 5-b.

**NOTA:** Si baja ligeramente la empuñadura conseguirá soltar el mango de émbolo con mayor facilidad y seguridad.

**La posición de bloqueo del mango de émbolo es sólo para transporte y almacenamiento.**

Para el transporte, sujete la empuñadura (véase Fig.1) con una mano, y con la otra mano sostenga la base por la sección de agarre del extremo izquierdo.

## 3. Instalación de la bolsa para el polvo, empuñadura lateral, soporte de extensión, retén y tornillos de carpintero.

(El soporte de extensión y el retén son accesorios opcionales).

Instale la bolsa para el polvo, la empuñadura lateral, el soporte de extensión, el retén y el tornillo de carpintero de la manera indicada en las Figs. 1 y 2.

### (1) Armado de la palanca de fijación

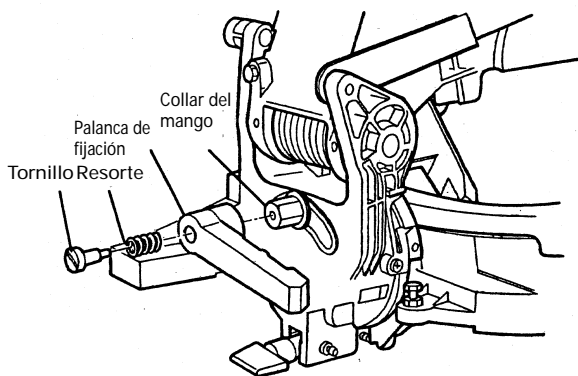


Fig. 6

- ① Inserte el resorte y el tornillo en el orificio de la palanca de fijación, tal como se indica en la Fig.6.

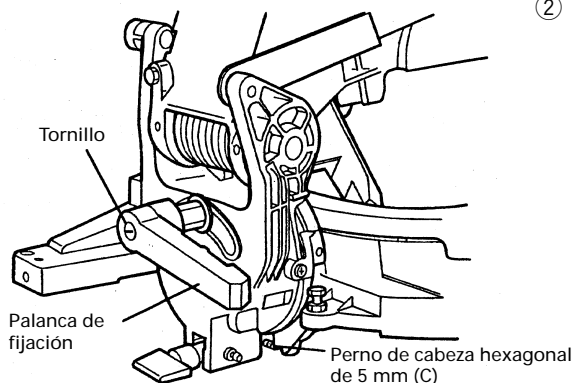


Fig. 7

- ② Coloque la palanca de fijación en el collar del mango, y luego apriete el tornillo de la manera indicada en la fig.7.

## 4. Instalación del soporte de extensión

(1) Inserte el soporte de extensión en el orificio de la base.

(2) Sujete los dos tornillos para metales de 5 mm y fije el soporte de extensión de la manera indicada en la Fig.2.

## ANTES DE LA UTILIZACIÓN

1. Cerciórese de que la fuente de alimentación sea adecuada para la herramienta.

**⚠ ADVERTENCIA:** No conecte nunca la herramienta eléctrica a menos que la fuente de alimentación de CA disponible sea de la misma tensión que la especificada en la placa de características de dicha herramienta.

2. Cerciórese de que el interruptor de disparo esté en OFF.

**⚠ ADVERTENCIA:** Si conectase el cable de alimentación en la fuente de alimentación con el interruptor de disparo en ON, la herramienta se pondría repentinamente en funcionamiento y podría causar un accidente serio.

3. Compruebe si la hoja de sierra posee defectos visibles.

Confirme que la hoja de sierra esté exenta de rajaduras y de otros defectos visibles.

4. Confirme que la hoja de sierra esté fijada con seguridad a la herramienta eléctrica.

Utilizando la llave suministrada, apriete el perno sobre el eje de husillo para asegurar la hoja de sierra. Para los detalles, consulte la Fig. 36-a, la Fig. 36-b y la Fig. 36-c en la sección "MONTAJE Y DESMONTAJE DE LA HOJA DE SIERRA".

5. Verifique el buen funcionamiento de los protectores de la hoja.

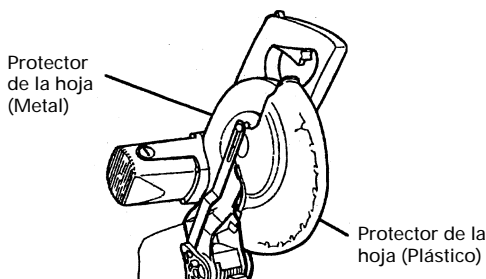


Fig. 8

Los protectores de la hoja han sido diseñados para evitar que el operador entre en contacto con la hoja de sierra durante la operación de la herramienta.

Siempre verifique que el protector de la hoja (plástico) se mueva suavemente y que cubra adecuadamente a la hoja de sierra.

**⚠ ADVERTENCIA:** No utilice nunca la herramienta eléctrica si el protector de la hoja (plástico) no funciona correctamente.

6. Antes de utilizar la herramienta, confirme la posición del bloqueador del huso.

Después de haber instalado la hoja de sierra, confirme que el bloqueador del huso está en posición de retraída antes de utilizar la herramienta eléctrica (consulte la Fig. 36-a).

7. Compruebe la posición del límite inferior de la hoja de sierra.

Aunque fue ajustada antes del envío, compruebe cuidadosamente la altura de la hoja de sierra. Confirme que la hoja de sierra pueda bajarse de 26 a 28 mm (1-1/32" a 1-3/32") por debajo del inserto de la mesa. Con respecto a los detalles, consulte la sección "Comprobación de la posición del límite inferior de la hoja de sierra".

8. Compruebe el tomacorriente de CA.

Para evitar el recalentamiento, la parada accidental, o la operación intermitente, confirme que el enchufe del cable de alimentación esté firmemente insertado en el tomacorriente y que no se caiga después de haberlo insertado. Si el tomacorriente está defectuoso repare o reemplácelo.

9. Confirme que el cable de alimentación de la herramienta no esté dañado.

Si el cable de alimentación está dañado, repare o reemplácelo.

## DESPUÉS DE HABER CONECTADO EL ENCHUFE DEL CABLE DE ALIMENTACIÓN EN UN TOMACORRIENTE DE CA APROPIADO, COMPRUEBE LA OPERACIÓN DE LA HERRAMIENTA DE LA FORMA SIGUIENTE:

10. Operación de prueba

Después de haber confirmado que no se ha olvidado de nada, ponga en funcionamiento la herramienta eléctrica, y confirme que no haya ninguna anomalía antes de intentar realizar la operación de corte.

11. Inspeccione la estabilidad de rotación de la hoja de sierra.

Para cortar con precisión, gire la hoja de sierra y compruebe la deflexión para confirmar que la hoja no esté inestable, ya que de lo contrario, podrían producirse vibraciones y ocurrir un accidente.

## ANTES DEL CORTE

### 1. Corte de ranura en un inserto de la mesa

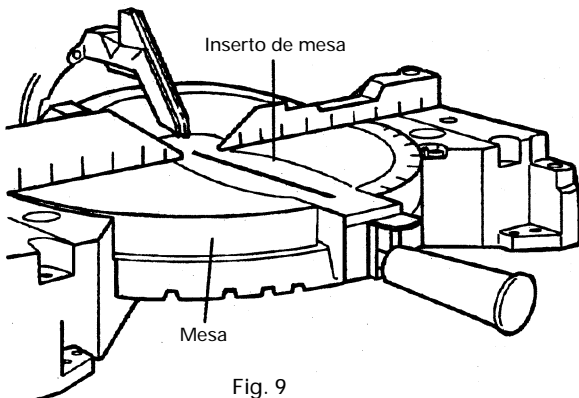


Fig. 9

Antes de iniciar la operación, se deberá cortar una ranura en el inserto de la mesa. Asegure a la mesa un trozo de madera de aprox. 130 mm (5-1/8") de ancho con el conjunto de tornillo de carpintero, para evitar la rotura del inserto de la mesa.

Tras conectar el interruptor y una vez que la hoja de sierra alcance su velocidad máxima, baje lentamente la empuñadura para cortar una ranura en el inserto de la mesa.

**⚠ PRECAUCIÓN:** No corte la ranura con demasiada rapidez pues se dañaría el inserto de la mesa.

### 2. Comprobación de la posición límite inferior de la hoja de sierra

**⚠ ADVERTENCIA:** Para evitar accidentes o lesiones personales, siempre desconecte el interruptor de disparo y desenchufe la clavija de alimentación del tomacorriente antes de realizar el ajuste.

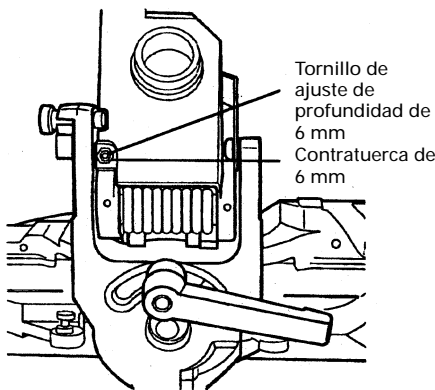


Fig. 10

Verifique que puede bajar la hoja de sierra de 26 mm a 28 mm (1-1/32" a 1-3/32") por debajo del inserto de la mesa.

Si es necesario, ajuste de la siguiente manera:

- (1) Afloje la contratuerca de 6 mm del tornillo de ajuste de profundidad de 6 mm.
- (2) Gire el tornillo de ajuste de profundidad de 6 mm hasta ajustar la posición de límite inferior. La hoja de sierra se eleva al girar el tornillo de ajuste de profundidad de 6 mm en el sentido de las agujas del reloj, y baja al girar dicho tornillo en sentido contrario.
- (3) Una vez que realice el ajuste, apriete completamente la contratuerca de 6 mm.

**NOTA:** Antes de apretar la contratuerca de 6 mm, confirme que la hoja de sierra se encuentre ajustada de manera que no penetre en la mesa.

### 3. Ángulo oblicuo

Antes de expedirse de fábrica, la herramienta eléctrica ha sido ajustada para cortes en bisel con ángulos de 0°, hacia la derecha, 45° hacia la izquierda, y un corte en bisel con un ángulo de 45° hacia la derecha con un perno de 6 mm (A), un perno de 6 mm (B), y un perno de cabeza hueca hexagonal de 5 mm (C) (véase Fig. 7).

Para cambiar el ajuste, gire el perno de 6 mm (A), el perno de 6 mm (B) o el perno de cabeza hueca hexagonal de 5 mm (C) (véase Fig. 7) y cambie su altura.

(El ángulo máximo de corte en bisel es de 45°).

Para cambiar el ángulo de corte en bisel a 45° hacia la derecha, levante la barra-guía en la dirección indicada en la Fig. 12 e incline la cabeza del motor hacia la derecha.

Cuando ajuste la cabeza del motor a 0°, regrese siempre la barra-guía a su posición inicial.

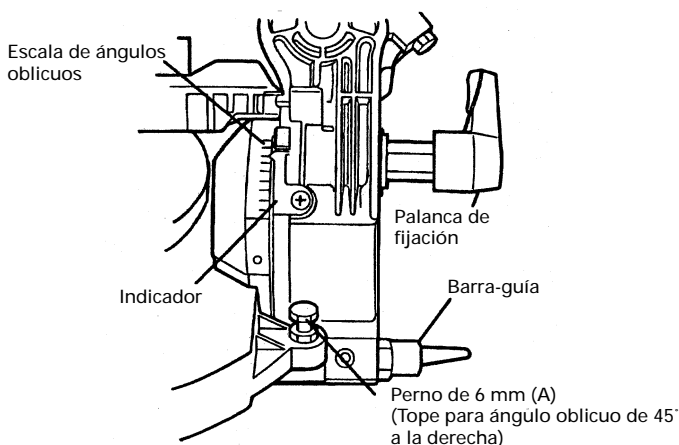


Fig. 11

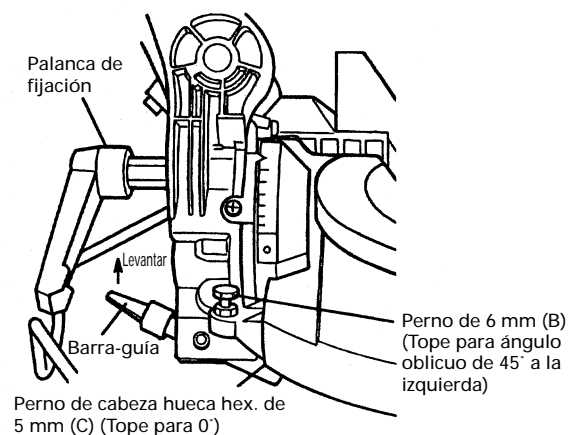


Fig. 12

#### 4. Inmovilización de la pieza de trabajo

**⚠ ADVERTENCIA:** Sujete siempre la pieza de trabajo a la escuadra de guía, ya que de lo contrario podría salirse de la mesa y causar lesiones serias.

#### 5. Instalación de los soportes de extensión (Accesorio opcional)

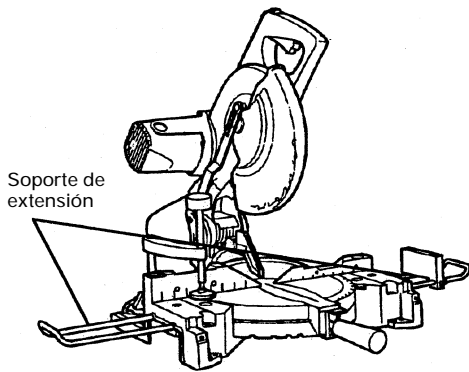


Fig. 13

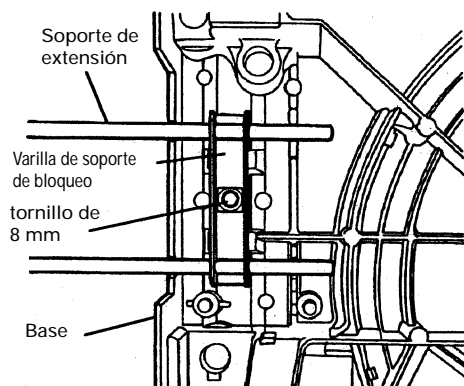


Fig. 14

Durante la operación de corte, los soportes de extensión le ayudarán a mantener estables y correctamente posicionadas las piezas de trabajo de mayor longitud.

- (1) Inserte el tornillo de 8 mm en el orificio provisto en la base.
- (2) Coloque la varilla de soporte de bloqueo debajo del costado de la base.
- (3) Con el tornillo de ajuste de 8 mm, detenga temporalmente la varilla de soporte de bloqueo.
- (4) Inserte un soporte de extensión en los dos orificios de la varilla de soporte de bloqueo.
- (5) Empuje el soporte de extensión hasta que haga contacto con la base.
- (6) Apriete el tornillo de 8 mm y fije el soporte de extensión.

**⚠ PRECAUCIÓN:** Nunca transporte la herramienta sosteniéndola por el soporte de extensión. Tenga en cuenta que el soporte podría salirse de la base. Sujete la herramienta por la empuñadura (véase Fig.1), y no por el soporte de extensión.

#### 6. Retén para corte de precisión (El retén es un accesorio opcional)

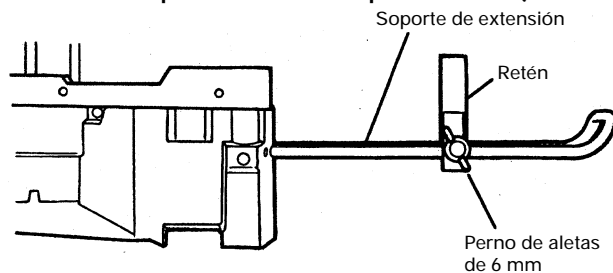


Fig. 15

El retén permite realizar un corte continuo de precisión en longitudes de 253 mm a 423 mm (10" a 16-21/32"). Para instalar el retén, fijelo al soporte con un perno de aletas de 6 mm, tal como se observa en la Fig. 15.

## APLICACIONES PRÁCTICAS

- ⚠ ADVERTENCIA:**
- \* Para evitar lesiones, no quite ni remplace nunca la pieza de trabajo sobre la mesa mientras la herramienta esté en funcionamiento.
  - \* No coloque nunca sus miembros dentro de la línea cerca del signo de advertencia mientras está utilizando la herramienta. Esto podría resultar peligroso (consulte las Fig. 16).

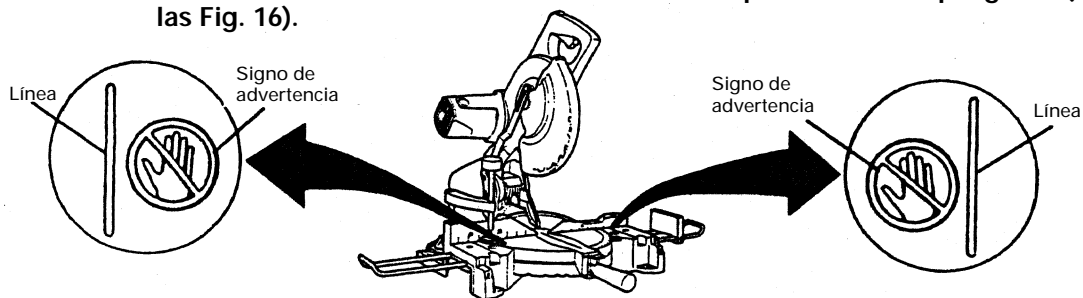


Fig. 16

## 1. Operación del interruptor

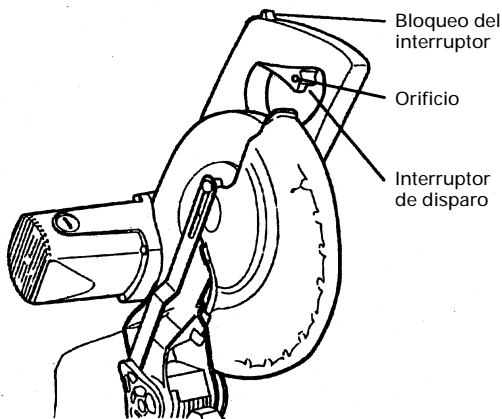


Fig. 17

El bloqueo del interruptor ha sido diseñado para evitar la operación inadvertida de la herramienta eléctrica.

Para utilizar la herramienta eléctrica, primero se deberá empujar el bloqueo del interruptor hacia arriba, tal como se indica en la Fig. 17. El interruptor de disparo no funcionará a menos que el bloqueo del interruptor haya sido empujado hacia arriba. Cuando suelte el interruptor de disparo, la alimentación se desconectará y el bloqueo del interruptor volverá automáticamente a su posición inicial, bloqueando al interruptor de disparo.

**⚠ ADVERTENCIA:** Este bloqueo permitirá evitar el encendido accidental de la herramienta eléctrica o la utilización por parte de personas no autorizadas (especialmente los niños). Para evitar la utilización no autorizada de esta herramienta, inserte un candado a través del orificio del interruptor de disparo.

## 2. Utilización del conjunto de tornillo de carpintero (Accesorio estándar)

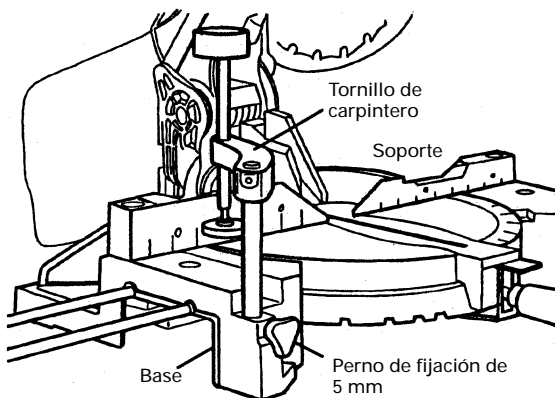


Fig. 18

(1) El conjunto del tornillo de carpintero puede montarse en la base del lado izquierdo o bien en la base del lado derecho, y puede elevarse o bajarse de acuerdo con la altura de la pieza de trabajo.

- ① Inserte el soporte del conjunto del tornillo de carpintero en el orificio provisto en la base del lado izquierdo o bien en la base del lado derecho.
- ② Luego apriete el perno de fijación de 5 mm, tal como se indica en la Fig. 18.

**NOTA:** El soporte cuenta con dos ranuras de bloqueo en los cuales encaja la punta del perno de fijación de 5 mm para poder bloquear el conjunto del tornillo de carpintero en la posición deseada.

(2) El conjunto del tornillo de carpintero puede montarse en la escuadra de guía del lado izquierdo o bien en la escuadra de guía del lado derecho, y puede elevarse o bajarse de acuerdo con la altura de la pieza de trabajo.

- ① Inserte el soporte del conjunto del tornillo de carpintero en el orificio provisto en la escuadra de guía del lado izquierdo o bien en la escuadra de guía del lado derecho.
- ② Luego apriete el perno de fijación de 5 mm, tal como se indica en la Fig. 19.

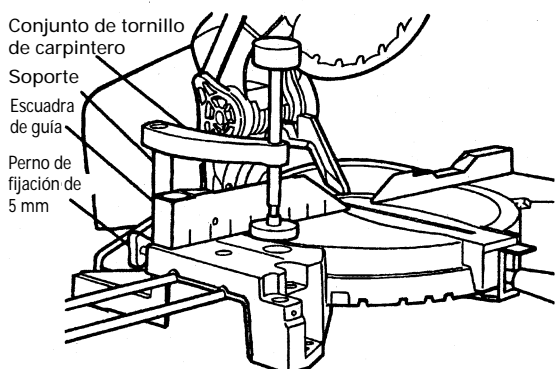


Fig. 19

**⚠ PRECAUCIÓN:** Confirme siempre que la cabeza del motor (consulte la Fig. 1) no entre en contacto con el conjunto de tornillo de carpintero cuando descienda para realizar la operación de corte. Si existe el peligro de que pueda pasar esto, afloje ligeramente el perno de perilla de 5 mm y mueva el conjunto de tornillo de carpintero hasta una posición en la que no entre en contacto con la hoja de sierra.

### 3. Utilización del conjunto de tornillo de carpintero (Accesorio opcional)

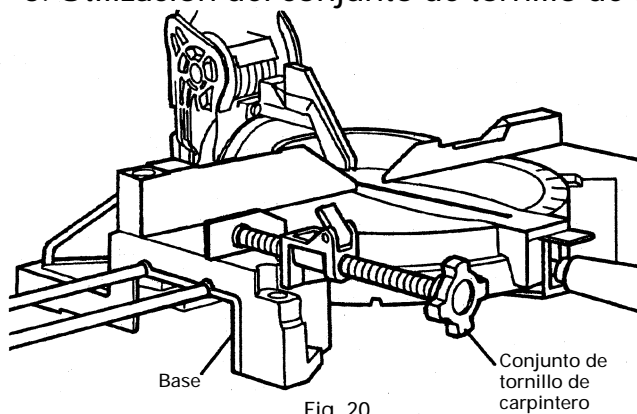


Fig. 20

- (1) El conjunto de tornillo de carpintero puede montarse en la base del lado izquierdo o bien en la base del lado derecho, y puede moverse hacia atrás y adelante de acuerdo con el ancho de la pieza de trabajo.

Inserte el soporte del conjunto de tornillo de carpintero en el orificio ubicado en la base del lado izquierdo o bien en la base del lado derecho, tal como se muestra en la Fig.20.

### 4. Operación de corte

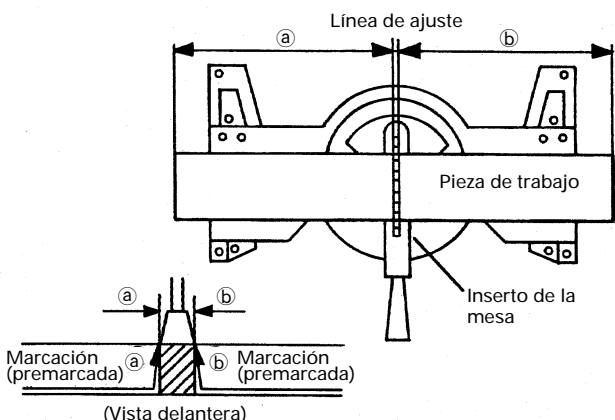


Fig. 21

- (1) Como se muestra en la Fig. 21, la anchura de la hoja de sierra es la de corte. Por lo tanto, deslice la pieza de trabajo hacia la derecha (vista desde la posición del operador) cuando desee la longitud (b), o hacia la izquierda cuando desee la longitud (a).
- (2) Cuando la hoja de sierra haya alcanzado la velocidad máxima, empuje cuidadosamente hacia abajo la empuñadura hasta que la hoja de sierra se acerque a la pieza de trabajo.
- (3) Cuando la hoja de sierra haya entrado en contacto con la pieza de trabajo, empuje gradualmente hacia abajo la empuñadura para cortar dicha pieza.
- (4) Después de haber cortado la pieza de trabajo con la profundidad deseada, desconecte la alimentación de la herramienta eléctrica y deje que la hoja de sierra se pare completamente antes de levantar la empuñadura de la pieza de trabajo para devolverla a su posición de completamente retraída.

- ⚠ PRECAUCIÓN:**
- \* El aumento de la presión sobre la empuñadura no aumentará la velocidad de corte. Por el contrario, la presión excesiva puede resultar en sobrecarga del motor y/o en reducción de la eficacia de corte.
  - \* Si presiona la empuñadura con una fuerza excesiva o lateral, la hoja de sierra podría vibrar durante la operación de corte y provocar marcas innecesarias sobre la pieza de trabajo, perjudicando la calidad del corte. Por consiguiente, cuando presione la empuñadura hacia abajo, hágalo suavemente y con cuidado.

- ⚠ ADVERTENCIA:**
- \* Cuando no vaya a utilizar la herramienta, confirme que el interruptor de disparo esté en OFF y de que el enchufe del cable de alimentación esté desconectado del tomacorriente.

### 5. Procedimiento de corte de ingletes

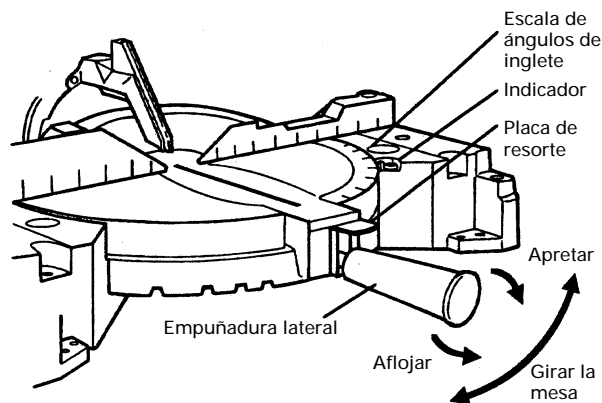


Fig. 22

- (1) Afloje la empuñadura lateral y tire de la placa de resorte.
- (2) Ajuste la mesa hasta que el indicador se alinee con el ajuste deseado en la escala de ángulos de ingletes, tal como se observa en la Fig.22.
- (3) Reapriete la empuñadura lateral para asegurar la mesa en la posición deseada.

**NOTA:** \* En las posiciones hacia la derecha y la izquierda existen paradas a 0°, centro, 15°, 22,5°, 31,6°, y 45°.

Compruebe que la escala de ángulos de ingletes y la punta del indicador estén correctamente alineadas.\* La operación de la herramienta eléctrica con la escala de ángulos de ingletes y el indicador desalineados o con la empuñadura lateral sin apretar adecuadamente, resultará en un corte de mala precisión.



## 6. Procedimientos de corte en bisel

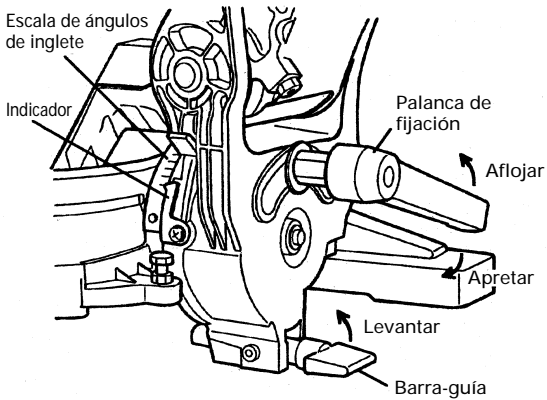


Fig. 23

- (1) Afloje la palanca de fijación e incline la hoja de sierra hacia la izquierda o la derecha. Cuando incline la cabeza del motor hacia la derecha, levante la barra-guía de la manera indicada en la Fig.23.
- (2) Ajuste el ángulo de inclinación hasta el valor deseado observando la escala de ángulos de bisel y el indicador, y después asegure la palanca de fijación.

**⚠ ADVERTENCIA:** Cuando la pieza de trabajo esté asegurada el lado izquierdo o derecho de la hoja de sierra, la parte de corte entrará en contacto con el del lado izquierdo o derecho de dicha hoja. Desconecte siempre la alimentación y deje que la hoja de sierra se pare completamente antes de levantar le empuñadura dura de la pieza de trabajo.

Si levanta la empuñadura mientras la hoja de sierra está girando, la pieza de corte puede atascarse contra la hoja de sierra haciendo que se esparzan peligrosamente virutas.

## 7. Procedimientos de corte compuesto

Para el corte compuesto, observe las instrucciones de los apartados 5 y 6 de arriba.

Con respecto a las dimensiones máximas para el corte compuesto, consulte "ESPECIFICACIONES" en la página 49.

**⚠ PRECAUCIÓN:** Para el corte compuesto, siempre asegure la pieza de trabajo con el lado derecho o el lado izquierdo.

No gire nunca la mesa hacia la derecha para el corte compuesto (bisel izquierdo) debido a que la hoja de sierra podría entrar en contacto con la abrazadera o con el tornillo de carpintero que asegura a la pieza de trabajo, y causar lesiones o daños.

No gire nunca la mesa hacia la izquierda para el corte compuesto (bisel derecho), debido a que la hoja de sierra podría entrar en contacto con la abrazadera o con el tornillo de carpintero que asegura a la pieza de trabajo, y causar lesiones o daños.

## 8. Procedimientos de corte con moldura en vértice

En la Fig. 24 se muestran los tipos de moldura en vértice con ángulos de 38 y 45°.

Con respecto a las molduras en vértice típicas, consulte la Fig. 25.

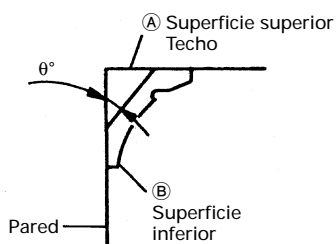


Fig. 24

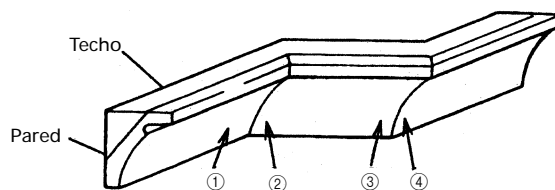


Fig. 25

En la tabla siguiente se muestran los ajustes de ángulo de ingletes y de corte en bisel para los dos tipos de moldura en el vértice.

**NOTA:** Por motivos de comodidad, se proveen topes de seguridad para las posiciones de ajuste de corte de ingletes (izquierda y derecha 31,6°).

### Para el ajuste de corte de ingletes

Si la mesa ha sido ajustada a cualquiera de los ángulos descritos, mueva la empuñadura lateral de ajuste de la misma un poco hacia la derecha o hacia la izquierda para estabilizar la posición y para alinear apropiadamente la escala de ángulos ingletes y la punta del indicador antes de iniciar la operación.

### Para el ajuste del corte en bisel

Mueva la empuñadura de la sección de bisel hacia la derecha y la izquierda y compruebe si la posición es estable, y si la escala de ángulos de bisel y la punta del indicador están adecuadamente alineadas. Después apriete la palanca de fijación.

Tipo de moldura en vértice	Para procesar la moldura en vértices en las posiciones ① y ④ de la Fig. 25.		Para procesar la moldura en vértices en las posiciones ② y ③ de la Fig. 25.	
	Ajuste del ángulo de ingletes	Ajuste del ángulo de corte en bisel	Ajuste del ángulo de ingletes	Ajuste del ángulo de corte en bisel
Tipo de 45°	derecha 35,3° izquierda 30°	derecha 30° izquierda 35,3°	izquierda 30° derecha 30°	derecha 30° izquierda 30°
Tipo de 38°	derecha 31,6° izquierda 33,9° (marca ↓)	derecha 33,9° izquierda 31,6° (marca ↓)	izquierda 33,9° derecha 33,9° (marca ↓)	derecha 33,9° izquierda 33,9° (marca ↓)

**(1) Ajuste para cortar molduras en vértice a los posiciones ① y ④ de la Fig. 25 (consulte la Fig. 26, incline la cabeza hacia la izquierda):**

- ① Gire la mesa giratoria hacia la derecha y ajuste el ángulo de ingletes de la forma siguiente:
  - \* Para molduras en vértice de tipo de 45°: 35,3°
  - \* Para molduras en vértice de tipo de 38°: 31,6°
- ② Incline la cabeza hacia la izquierda y ajuste el ángulo de corte en bisel de la forma siguiente:
  - \* Para molduras en vértice de tipo de 45°: 30°
  - \* Para molduras en vértice de tipo de 38°: 33,9° (marca ↓)
- ③ Coloque la moldura en el vértice de forma que la superficie superior (A de la Fig. 24) entre en contacto con la escuadra de guía como se indica en la Fig. 27.

**(2) Ajuste para cortar molduras en vértice a los posiciones ② y ③ de la Fig. 25 (consulte la Fig. 28, incline la cabeza hacia la izquierda):**

- ① Gire la mesa hacia la derecha y ajuste el ángulo de ingletes de la forma siguiente:
  - \* Para molduras en vértice de tipo de 45°: 35,3°
  - \* Para molduras en vértice de tipo de 38°: 31,6°
- ② Incline la cabeza hacia la izquierda y ajuste el ángulo de corte en bisel de la forma siguiente:
  - \* Para molduras en vértice de tipo de 45°: 30°
  - \* Para molduras en vértice de tipo de 38°: 33,9° (marca ↓)
- ③ Coloque la moldura en el vértice de forma que la superficie superior (B de la Fig. 24) entre en contacto con la escuadra de guía como se indica en la Fig. 29.

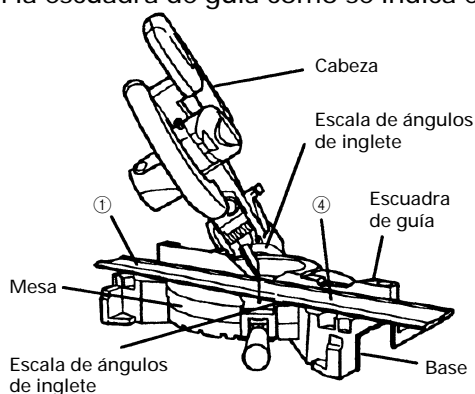


Fig. 26

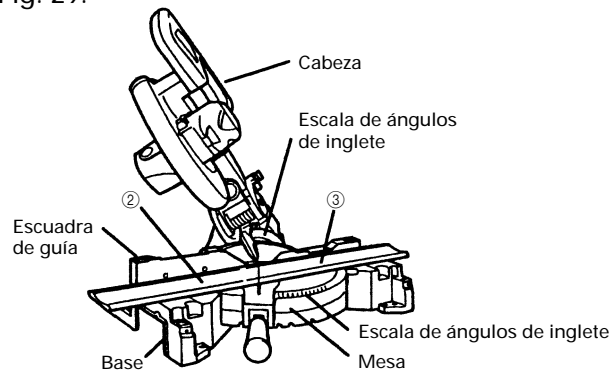


Fig. 28

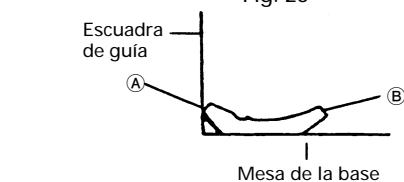


Fig. 27

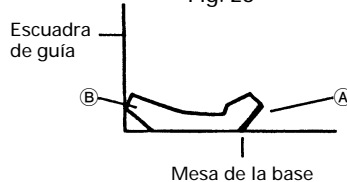


Fig. 29

**(3) Ajuste para cortar molduras en vértice en las posiciones ① y ④ de la Fig.25 (Véase Fig.30):**

- ① Gire la mesa hacia la derecha y ajuste el ángulo de corte de ingletes de la siguiente manera:
  - \* Para molduras en vértice del tipo de 45°: 35,3°
  - \* Para molduras en vértice del tipo de 38°: 31,6°
- ② Gire la cabeza hacia la derecha y ajuste el ángulo de bisel de la siguiente manera:
  - \* Para molduras en vértice del tipo de 45°: 30°
  - \* Para molduras en vértice del tipo de 38°: 33,9° (marca ↓)
- ③ Posicione la moldura en vértice de manera que la superficie superior (B en la Fig.24) haga contacto con la escuadra de guía, como se indica en la Fig.31.

#### (4) Ajuste para cortar molduras en vértice en las posiciones ② y ③ de la Fig.25 (véase Fig.32):

- ① Gire la mesa hacia la izquierda y ajuste el ángulo de corte de ingletes de la siguiente manera:
  - \* Para molduras en vértice del tipo de 45°: 35,3°
  - \* Para molduras en vértice del tipo de 38°: 31,6°
- ② Gire la cabeza hacia la derecha y ajuste el ángulo de bisel de la siguiente manera:
  - \* Para molduras en vértice del tipo de 45°: 30°
  - \* Para molduras en vértice del tipo de 38°: 33,9° (marca ↓)
- ③ Posicione la moldura en vértice de manera que la superficie superior (A) en la Fig.24) haga contacto con la escuadra de guía, como se indica en la Fig.33.

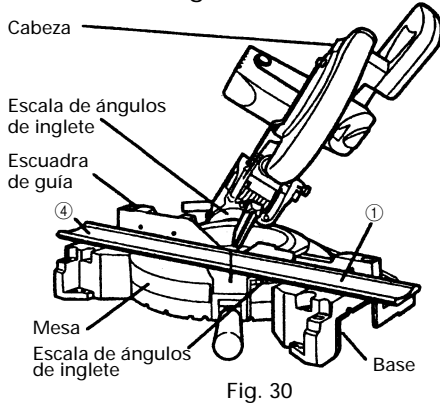


Fig. 30

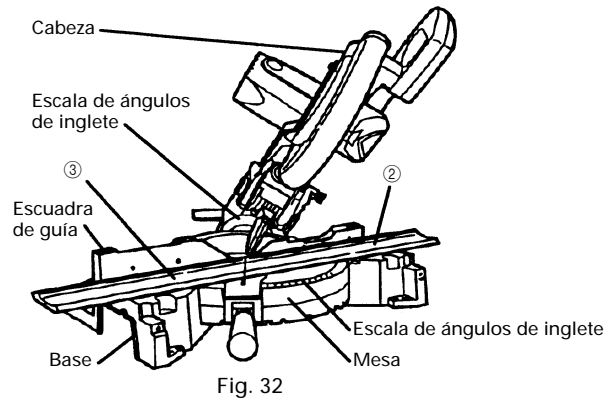


Fig. 32

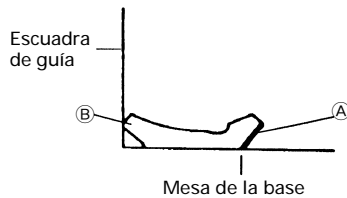


Fig. 31

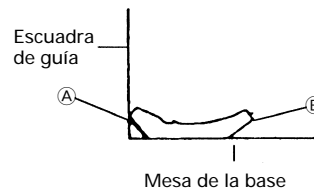


Fig. 33

### 9. Corte fácil de materiales deformados, tales como vidrieras corredizas de aluminio

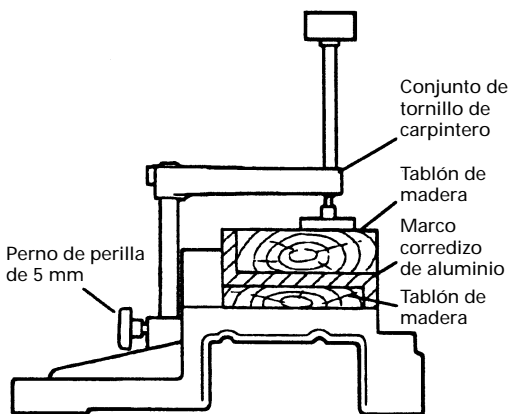


Fig. 34

Los materiales tales como vidrieras corredizas de aluminio pueden deformarse fácilmente si se aprietan demasiado con el conjunto de tornillo de carpintero. Esto causará el corte ineficaz y posiblemente la sobrecarga del motor.

Cuando corte tales materiales, utilice un tablón de madera para proteger la pieza de trabajo como se muestra en la Fig. 34.

Cuando corte materiales de aluminio, recubra la hoja de sierra con aceite para corte (no consumible) a fin de lograr un corte uniforme y un acabado fino.

### 10. Forma de utilizar la bolsa para el polvo (Accesorio estándar)

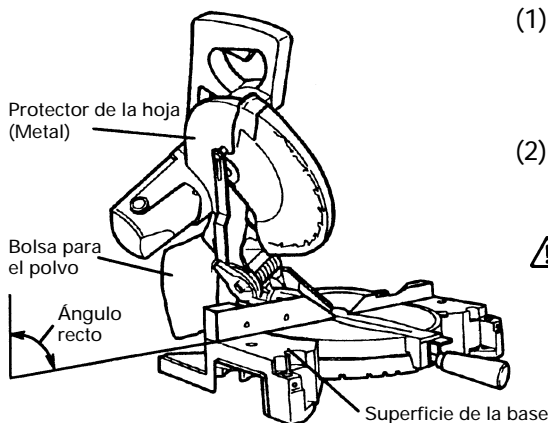


Fig. 35

- (1) Cuando la bolsa para el polvo esté llena de polvo, dicho polvo saldrá soplando de la bolsa para el polvo cuando gire la hoja de sierra. Compruebe periódicamente y vacíe la bolsa para el polvo antes de que se llene.
- (2) Durante el corte en bisel y compuesto, fije la bolsa para el polvo en ángulo recto con relación a la superficie placa de la base como se muestra en la Fig. 35.

**⚠ PRECAUCIÓN:** Vacíe frecuentemente la bolsa para el polvo para evitar que se atasquen el conducto y el protector de la hoja (metal). Durante el corte en bisel se acumulará más polvo de lo normal.

## MONTAJE Y DESMONTAJE DE LA HOJA DE SIERRA

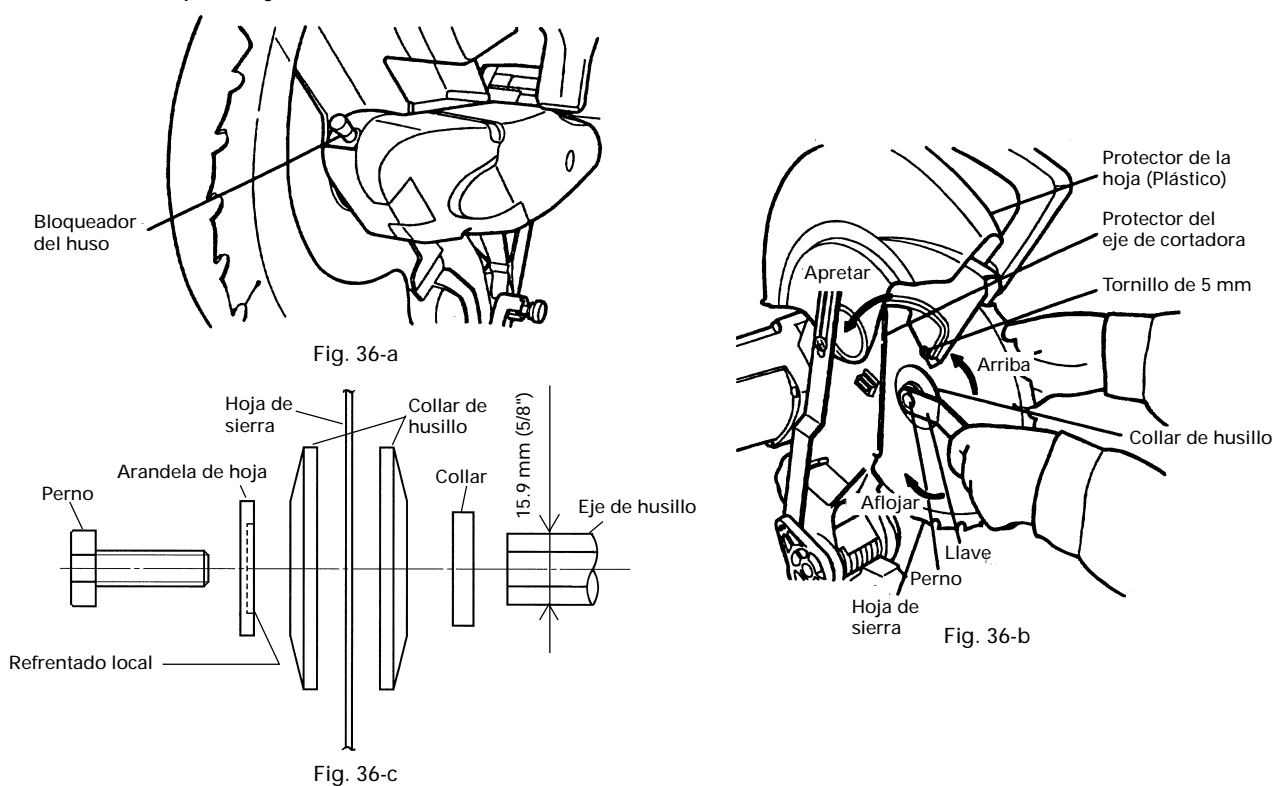
**⚠ ADVERTENCIA:** Para evitar accidentes o lesiones, suelte siempre el interruptor de disparo y desconecte el enchufe del cable de alimentación del tomacorriente antes de extraer o instalar la hoja de sierra.

### 1. Montaje de la hoja de sierra

- (1) Gire el protector de la hoja (plástico) hasta la posición superior.
- (2) Afloje el tornillo de 5 mm para liberar el protector del eje de la cortadora.  
Gire el protector del eje de la cortadora de la manera indicada en la Fig.36-b. En este momento, el protector de la hoja (plástico) se moverá conjuntamente.
- (3) Presione el bloqueador del huso hacia adentro y afloje el perno con la llave.  
Como el perno es de rosca a izquierdas, gírelo hacia la derecha para aflojarlo, tal como se indica en la Fig. 36-b.

**NOTA:** Si no consigue presionar fácilmente el bloqueador del huso para bloquear el eje de husillo, gire el perno con la llave mientras aplica presión sobre el bloqueador del huso. El eje de husillo quedará bloqueado al presionar hacia adentro el bloqueador del huso.

- (4) Quite el perno y el collar del husillo.



- (5) Monte la hoja de sierra.

**⚠ ADVERTENCIA:** Cuando monte la hoja de sierra, compruebe que la marca del indicador de rotación provista en la misma y la dirección de rotación del protector de la hoja (metal) coincidan correctamente.

- (6) Limpie a fondo el collar, el collar del husillo, la arandela de hoja (confirme la dirección de montaje) y el perno, e instálelos sobre el eje de husillo, como se muestra en la Fig.36-c.
- (7) Presione el bloqueador del huso y apriete el perno girándolo hacia la izquierda con la llave de cubo 10 mm, como se indica en la Fig. 36-b.

**⚠ PRECAUCIÓN:**

- \* Después de haber instalado o extraído la hoja de sierra, confirme que el bloqueador del huso haya vuelto a la posición de retracción.
- \* Apriete el perno de forma que no se afloje durante la operación. Confirme que el perno haya quedado adecuadamente apretado antes de poner en funcionamiento la herramienta.

- (8) Gire el protector del eje de la cortadora hasta la posición inicial, y apriete el tornillo de 5 mm.
- (9) Coloque el protector de la hoja (plástico) en la posición inferior.

## 2. Desmontaje de la hoja de sierra

Desmonte la hoja de sierra invirtiendo el proceso de montaje descrito en el párrafo 1 anterior. La hoja de sierra podrá extraerse fácilmente después de levantar el protector del eje de la cortadora.

**⚠ PRECAUCIÓN:** No intente instalar nunca hojas de sierra de diámetro superior a 255 mm (10"). Instale siempre las hojas de sierra de 255 mm (10") de diámetro o menos.

## DISPOSITIVO PROTECTOR CONTRA SOBRECARGA PARA LA CORREA EN V DE POLIVINILO

La alimentación del motor se transmite a la hoja de sierra mediante una correa en V de polivinilo. Cuando esta correa se sobrecargue, el dispositivo protector contra sobrecarga se activará para cortar la corriente y parar el motor.

En este caso, ponga inmediatamente el interruptor de disparo en OFF y levante la empuñadura hasta su posición inicial. Después ponga el interruptor de alimentación en ON y deje que la herramienta funcione durante 20 segundos sin carga para que se enfríe el motor. Después inicie la operación de corte. Si desactiva frecuentemente el dispositivo protector contra sobrecarga, es posible que se dañe la correa en V de polivinilo o el motor.

**⚠ PRECAUCIÓN:** Cuando el dispositivo protector contra sobrecarga pare el motor, éste se pondrá en funcionamiento después de haber puesto el interruptor de disparo en OFF y otra vez en ON. Cuando lo ponga en ON, cerciórese de que la hoja de sierra no esté insertada en el material.

## MANTENIMIENTO E INSPECCIÓN

**⚠ ADVERTENCIA:** Para evitar accidentes o lesiones, confirme que el interruptor de disparo esté en OFF y de que el enchufe del cable de alimentación esté desconectado del tomacorriente antes de realizar cualquier operación de mantenimiento o de inspección de esta herramienta.

### 1. Inspección de la hoja de sierra

Reemplace la hoja de sierra inmediatamente después de haber notado cualquier signo de deterioro o daño. Una hoja de sierra dañada puede causar lesiones, y otra desgastada puede causar la operación inefectiva o la posible sobrecarga del motor.

**⚠ PRECAUCIÓN:** No utilice nunca una hoja de sierra mellada. Cuando la hoja de sierra esté mellada, su resistencia a la presión de la mano aplicada por la empuñadura de la herramienta tiende a aumentar, haciendo que la herramienta eléctrica funcione de forma insegura.

### 2. Inspección de las escobillas (Figs. 37 y 38)

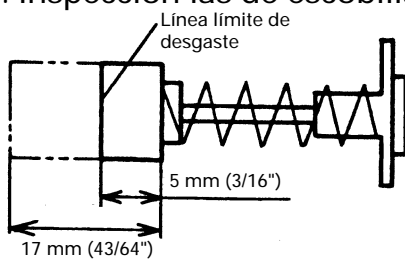


Fig. 37

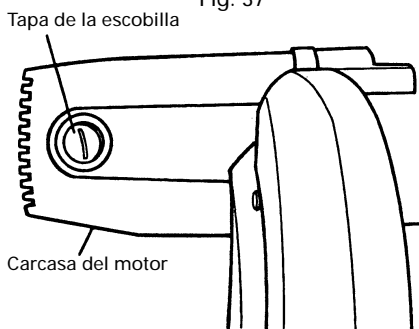


Fig. 38

Las escobillas del motor son piezas fungibles.

Si las escobillas se desgastan excesivamente, es posible que el motor tenga problemas.

Por lo tanto, inspeccione periódicamente las escobillas y reemplácelas.

Verifique las escobillas después de las primeras 50 horas de uso de una máquina nueva o de haber instalado un juego de escobillas nuevas.

Después de la primera inspección, examínelas cada aproximadamente 10 horas de uso, hasta determinar que es necesario el reemplazo.

Reemplace ambas escobillas cuando el carbón de cualquiera de las escobillas presente un desgaste de 5 mm (3/16") de largo, o cuando se descubra quemadura o daño en un resorte o en un alambre en derivación (véase Fig.37). Si después de quitar las escobillas determina que son utilizables, reinstálelas tal como estaban originalmente.

Además, mantenga las escobillas limpias de forma que se deslicen suavemente dentro de los portaescobillas. Las escobillas podrán extraerse fácilmente después de haber quitado las tapas de los portaescobillas (consulte la Fig. 38) con un destornillador de punta plana.

### 3. Inspección de los tornillos de montaje

Inspeccione regularmente cada componente de la herramienta eléctrica para ver si están flojos. Reapriete los tornillos de montaje y cualquier pieza floja.

**⚠ ADVERTENCIA:** Para evitar lesiones, no utilice nunca la herramienta eléctrica si tiene alguna pieza floja.

#### 4. Inspección del funcionamiento del protector de la hoja

Cada vez que utilice la herramienta, pruebe previamente el protector de la hoja (Fig.8) para verificar que se encuentra en buenas condiciones y que se mueve con suavidad.

No utilice nunca la herramienta si el protector de la hoja no funciona correctamente y sin comprobar que se encuentran en buenas condiciones mecánicas.

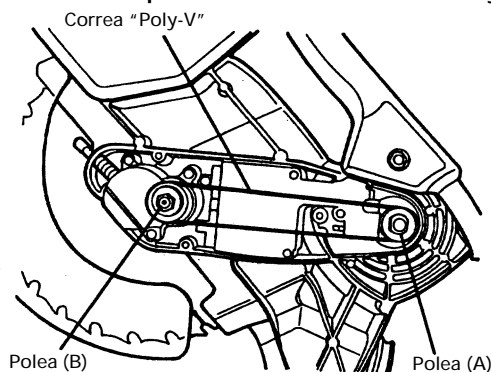
#### 5. Almacenamiento

Después de haber utilizado la herramienta eléctrica, compruebe si:

- (1) El interruptor de disparo está en la posición OFF
- (2) El enchufe del cable de alimentación está desconectado del tomacorriente de CA,
- (3) Guárdalo en un lugar seguro.

Cuando no vaya a utilizar la herramienta, guárdela en un lugar seco fuera del alcance de niños.

#### 6. Reemplazo de la correa "Poly-V"



La potencia del motor es transmitida a la hoja de sierra por medio de la correa "Poly-V". Cuando esta correa "Poly-V" esté rota o dañada, retire la cubierta trasera aflojando los tres tornillos de 5 mm y reemplácela por una nueva.

Cuando haga pasar la correa por las poleas, primero conecte 2 ó 3 dientes de la correa "Poly-V" en las ranuras de la polea (A) y de la polea (B). Luego gire la polea (A) y la polea (B), y haga que los 10 dientes de la correa encajen en la poleas.

Fig. 39

#### 7. Lubricación

Lubrique las superficies deslizables siguientes una vez al mes a fin de mantener la herramienta eléctrica en buenas condiciones de operación durante mucho tiempo (consulte la Fig. 1 y la Fig. 2). Se recomienda la utilización de aceite para máquinas.

Puntos de suministro de aceite:

- \*Parte giratoria del regulador de ángulo
- \*Parte giratoria del conjunto del tornillo de carpintero
- \*Parte giratoria de la mesa y de la base

#### 8. Limpieza

Limpie periódicamente las virutas y demás materiales de la superficie de la herramienta eléctrica con un paño humedecido en una solución jabonosa. Para evitar el mal funcionamiento del motor, protéjalo contra el aceite y el agua.

## SERVICIO Y REPARACIONES

Todas las herramientas eléctricas de calidad necesitan el servicio o el reemplazo de piezas debido al desgaste por el uso. para asegurarse de que solamente se utilicen piezas de remplazo autorizadas y el sistema de doble aislamiento, todos los trabajos de servicio (excepto el mantenimiento rutinario) deberán realizarse SOLAMENTE EN UN CENTRO DE REPARACIONES DE HERRAMIENTAS ELÉCTRICAS AUTORIZADO POR HITACHI.

**NOTA:** Las especificaciones están sujetas a cambio sin previo aviso sin ninguna obligación por parte de HITACHI.















Issued by

## **Hitachi Koki Co., Ltd.**

Sinagawa Intercity Tower A,  
15-1, Konan 2-chome, Minato-ku, Tokyo 108-6020, Japan

Distributed by

## **Hitachi Koki U.S.A., Ltd.**

3950 Steve Reynolds Blvd.  
Norcross, GA 30093

## **Hitachi Koki Canada Co.**

6395 Kestrel Road  
Mississauga ON L5T 1Z5