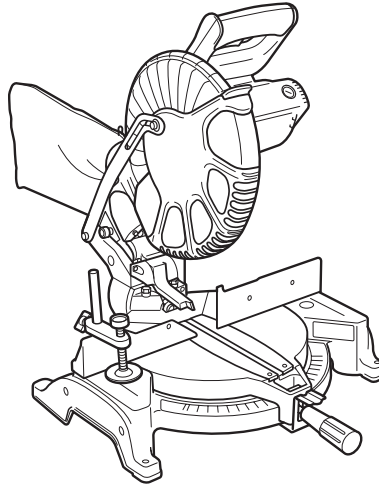


HITACHI

Model **C 10FCH** (Laser Marker Equipment)
Modèle **C 10FCH** (Équipement à marqueur laser)
Modelo **C 10FCE** (Equipo con marcador láser)

Compound Saw
Scie à onglets
Ingletadora



SAFETY INSTRUCTIONS AND INSTRUCTION MANUAL

⚠ WARNING

IMPROPER OR UNSAFE use of this power tool can result in death or serious bodily injury! This manual contains important information about product safety. Please read and understand this manual **BEFORE** operating the power tool. Please keep this manual available for other users and owners before they use the power tool. This manual should be stored in safe place.

INSTRUCTIONS DE SECURITE ET MODE D'EMPLOI

⚠ AVERTISSEMENT

Une utilisation **INCORRECTE OU DANGEREUSE** de cet outil motorisé peut entraîner la mort ou de sérieuses blessures corporelles !
Ce mode d'emploi contient d'importantes informations à propos de la sécurité de ce produit. Prière de lire et de comprendre ce mode d'emploi **AVANT** d'utiliser l'outil motorisé. Garder ce mode d'emploi à la disponibilité des autres utilisateurs et propriétaires avant qu'ils utilisent l'outil motorisé. Ce mode d'emploi doit être conservé dans un endroit sûr.

INSTRUCCIONES DE SEGURIDAD Y MANUAL DE INSTRUCCIONES

⚠ ADVERTENCIA

¡La utilización **INAPROPIADA O PELIGROSA** de esta herramienta eléctrica puede resultar en lesiones de gravedad o la muerte!
Este manual contiene información importante sobre la seguridad del producto. Lea y comprenda este manual **ANTES** de utilizar la herramienta eléctrica. Guarde este manual para que puedan leerlo otras personas antes de utilizar la herramienta eléctrica. Este manual debe ser guardado en un lugar seguro.



DOUBLE INSULATION
DOUBLE ISOLATION
AISLAMIENTO DOBLE

Hitachi Koki

CONTENTS

English	PAGE	PAGE	
IMPORTANT SAFETY INFORMATION	3	APPLICATIONS	10
MEANINGS OF SIGNAL WORDS	3	PREPARATION BEFORE OPERATION	10
SAFETY	3	BEFORE USING	11
IMPORTANT SAFETY INSTRUCTIONS FOR		BEFORE CUTTING	12
USING ALL POWER TOOLS	3	PRACTICAL APPLICATIONS	15
REPLACEMENT PARTS	6	SAW BLADE MOUNTING AND	
USE PROPER EXTENSION CORD	7	DISMOUNTING	20
DOUBLE INSULATION FOR SAFER OPERATION ...	7	MAINTENANCE AND INSPECTION	21
OPERATION AND MAINTENANCE	8	SERVICE AND REPAIRS	23
NAME OF PARTS	8		
SPECIFICATIONS	9		

TABLE DES MATIERES

Français	PAGE	PAGE	
INFORMATIONS IMPORTANTES		SPÉCIFICATIONS	31
DE SÉCURITÉ	24	APPLICATIONS	32
SIGNIFICATION DES MOTS		PRÉPARATION AVANT L'UTILISATION	32
D'AVERTISSEMENT	24	AVANT L'UTILISATION	33
SECURITE	24	AVANT LA COUPE	34
CONSIGNES DE SECURITE RELATIVES AUX		APPLICATIONS PRATIQUES	37
OUTILS ÉLECTRIQUES	24	INSTALLATION ET RETRAIT DE LA LAME	42
PIECES DE RECHANGE	28	ENTRETIEN ET INSPECTION	44
UTILISER LE CORDON DE		SERVICE APRÈS-VENTE ET RÉPARATIONS	45
RALLONGE APPROPRIÉ	28		
DOUBLE ISOLATION POUR UN			
FONCTIONNEMENT PLUS SUR	28		
UTILISATION ET ENTRETIEN	30		
NOM DES PIÈCES	30		

ÍNDICE

Español	PÁGINA	PÁGINA	
INFORMACIÓN IMPORTANTE SOBRE		APLICACIONES	54
SEGURIDAD	46	PREPARATIVOS PREVIOS A LA OPERACIÓN	54
SIGNIFICADO DE LAS PALABRAS DE		ANTES DE LA UTILIZACIÓN	55
SEÑALIZACIÓN	46	ANTES DEL CORTE	56
SEGURIDAD	46	APLICACIONES PRÁCTICAS	59
NORMAS DE SEGURIDAD PARA LAS		MONTAJE Y DESMONTAJE DE LA	
HERRAMIENTAS ELÉCTRICAS	46	HOJA DE SIERRA	65
PIEZAS DE REEMPLAZO	50	MANTENIMIENTO E INSPECCIÓN	66
UTILICE EL CABLE PROLONGADOR		SERVICIO Y REPARACIONES	67
ADECUADO	51	LISTA DE PIEZAS	68
AISLAMIENTO DOBLE PARA OFRECER UNA			
OPERACIÓN MÁS SEGURA	51		
OPERACIÓN Y MANTENIMIENTO	52		
NOMENCLATURA DE PARTES	52		
ESPECIFICACIONES	53		

IMPORTANT SAFETY INFORMATION

Read and understand all of the safety precautions, warnings and operating instructions in the Instruction Manual before operating or maintaining this power tool.

Most accidents that result from power tool operation and maintenance are caused by the failure to observe basic safety rules or precautions. An accident can often be avoided by recognizing a potentially hazardous situation before it occurs, and by observing appropriate safety procedures.

Basic safety precautions are outlined in the "SAFETY" section of this Instruction Manual and in the sections which contain the operation and maintenance instructions.

Hazards that must be avoided to prevent bodily injury or machine damage are identified by WARNINGS on the power tool and in this Instruction Manual.

NEVER use this power tool in a manner that has not been specifically recommended by HITACHI.

MEANINGS OF SIGNAL WORDS

WARNING indicates a potentially hazardous situations which, if ignored, could result in death or serious injury.

CAUTION indicates a potentially hazardous situations which, if not avoided, may result in minor or moderate injury, or may cause machine damage.

NOTE emphasizes essential information.

SAFETY

IMPORTANT SAFETY INSTRUCTIONS FOR USING ALL POWER TOOLS

READ ALL OF THE WARNINGS AND OPERATING INSTRUCTIONS IN THIS MANUAL BEFORE OPERATING OR MAINTAINING THIS TOOL:

⚠ WARNING: When using this electric tool, take all necessary precautions to minimize the risk of electric shock or other personal injury.
In particular, always comply with the following safety rules:

- 1. ALWAYS KEEP GUARDS IN PLACE** and in working order.
- 2. ALWAYS REMOVE ADJUSTING KEYS AND WRENCHES BEFORE STARTING TOOL.**
Always confirm that all keys and adjusting wrenches have been removed from the tool before it is turned on.
- 3. ALWAYS KEEP WORK AREA CLEAN.** Avoid injuries by not cluttering the work areas and work benches.
- 4. NEVER USE TOOL IN HAZARDOUS ENVIRONMENTS.** Never use the power tool in damp or wet places and never expose it to rain. Always keep the work area well lighted.
- 5. NEVER PERMIT CHILDREN OR OTHERS TO LOITER NEAR THE WORK AREA.** Keep all people (especially children) away from the work area. Always unplug unattended tools and keep the work place tamper-proof by installing locks on the doors and on the master switches.
- 6. NEVER FORCE THE TOOL.** It will do the job better and more safely if it is operated at the rate for which it was designed.
- 7. ALWAYS USE THE RIGHT TOOLS.** Never force a tool or an attachment to do a job for which it was not designed.
- 8. ALWAYS WEAR PROPER APPAREL WHEN WORKING WITH THE TOOL.** Never wear loose clothing, gloves, neckties, rings, bracelets or other jewelry which may get caught in the moving parts. Always wear non-slip footwear, preferably with steel toes. Wear protective hair covering to contain long hair.

9. **ALWAYS USE EYE PROTECTION WHEN WORKING WITH THE TOOL TO PREVENT EYE INJURY.** Ordinary eyeglasses do not provide adequate protection because the lenses are not made of safety glass. Also, use a face mask for additional safety and wear a dust mask if the cutting operation produces dust.
10. **ALWAYS SECURE THE WORKPIECE TO THE FENCE OR THE TABLE.** Use clamps or a vise to hold the workpiece in place. It is safer than using your hand and it frees both hands to operate the tool.
11. **NEVER OVERREACH.** Always keep proper footing and balance when working with the tool.
12. **ALWAYS MAINTAIN TOOLS WITH CARE.** Always keep tools sharp and clean for the best and safest performance. Always follow instructions for lubricating the tool and for changing accessories.
13. **ALWAYS DISCONNECT THE TOOL** before servicing and before changing blades or other accessories.
14. **NEVER RISK UNINTENTIONAL STARTING WHEN PLUGGING IN THE TOOL.** Always confirm that the switch is in the OFF position before inserting the power plug into the receptacle.
15. **ALWAYS USE RECOMMENDED ACCESSORIES ONLY WHEN OPERATING THIS TOOL.** Consult this instruction manual for descriptions of recommended accessories. To avoid personal injuries, use only recommended accessories in conjunction with this tool.
16. **NEVER STAND ON THE TOOL.** Prevent serious injury by not tipping the tool and by not risking unintentional contact with the saw blade.
17. **ALWAYS CHECK FOR DAMAGED PARTS BEFORE USING THE TOOL.** Always check the guard and all other components for damage before using the tool to assure that they will function properly. Check all moving parts for proper alignment, freedom from binding and other conditions that might affect proper operation. Always repair or replace any damaged guards or other damaged components before using the tool.
18. **ALWAYS CONFIRM THE ROTATION DIRECTION OF THE BLADE BEFORE USING THE TOOL.** Always feed work into the tool against the rotation direction of the blade in order to prevent possible injury.
19. **NEVER LEAVE THE TOOL RUNNING WHILE UNATTENDED. TURN POWER OFF.** Do not leave tool until it comes to a complete stop. Always turn the power off when the tool is not in use. Always unplug the power cord when the tool is not in use.
20. This tool was not designed to be used for mass-production applications and should not be used in mass-production environments.
21. When servicing this tool, use only authorized replacement parts.
22. Apply 120 volts AC only to this tool. Applying the wrong voltage or applying DC power can cause the POWER TOOL to operate improperly and cause serious personal injury or damage to the tool.
23. Never raise the saw blade from the workpiece until it has first come to a complete stop.
24. Always use outboard stands to provide support for long workpieces that overhang the table of the slide compound saw.
25. Always return the carriage to the full rear position after each crosscut operation in order to reduce the risk of injury.
26. **POLARIZED PLUGS** To reduce the risk of electric shock, this equipment has a polarized plug (one blade is wider than the other). This plug will fit in a polarized outlet only one way. If the plug does not fit fully in the outlet, reverse the plug. If it still does not fit, contact a qualified electrician to install the proper outlet. Do not change the plug in any way.

Specific Safety Rules for Use of this Power Tool

⚠ WARNING: The following specific operating instructions must be observed when using this POWER TOOL in order to avoid injury:

DO's

ALWAYS OBSERVE THE FOLLOWING RULES TO ASSURE SAFE USE OF THIS TOOL:


1. Review this Manual and familiarize yourself with the safety rules and operating instructions for this POWER TOOL before attempting to use it.

2. Always confirm that the POWER TOOL is clean before using it.
3. Always wear snug-fitting clothing, non-skid footwear (preferably with steel toes) and eye protection when operating the POWER TOOL.
4. Always handle the POWER TOOL carefully. If the POWER TOOL falls or strikes against a hard object, it might become deformed or cracked or sustain other damage.
5. Always cease operating the saw at once, if you notice any abnormality whatsoever.
6. Always confirm that all components are mounted properly and securely before using the tool.
7. When replacing the saw blade, always confirm that the rpm rating of the new blade is correct for use on this tool.
8. Always shut off the power and wait for the saw blade to completely stop rotating before doing any maintenance or adjustments.
9. Always clamp or otherwise secure the workpiece to the fence; otherwise the workpiece might be thrust from the table and cause bodily harm.
10. During miter or bevel cutting, always wait for the rotation of the blade to stop completely before lifting the saw blade.
11. Always make a trial run first before attempting any new use of the saw.
12. Always handle the saw blade with care when dismounting and mounting it.
13. Always confirm that the workpiece is free of nails or other foreign objects before beginning a cut.
14. Always keep your hands out of the path of the saw blade.
15. Always confirm that the lower guard is in the proper place before using the saw.
16. Inspect the tool power cords periodically.
17. Always confirm that the proper lengths and types of extension cords are being utilized, if necessary, before starting the tool.
18. Always confirm that the motor air vents are fully open before using the tool.
19. Always wait until the motor has reached full speed before starting a cut.
20. Always keep the handles dry, clean and free of oil and grease. Hold the tool firmly when in use.
21. Always use outboard stands to provide support for long workpieces that overhang the table of the compound saw.
22. Always operate the tool after ensuring the workpiece is fixed properly with a vise assembly.
23. The operating instructions provided with the tool shall direct the user to secure the tool to supporting structure if, during normal operation, there is a tendency for the tool to tip over, slide, or walk on the supporting surface.

DON'Ts

NEVER VIOLATE THE FOLLOWING RULES TO ASSURE SAFE USE OF THIS TOOL:

1. Never operate the POWER TOOL unless you fully understand the operating instructions contained in this Manual.
2. Never leave the POWER TOOL unattended without first unplugging the power cord.
3. Never operate the POWER TOOL when you are tired, after you have taken any medications, or have consumed any alcoholic beverages.
4. Never use the POWER TOOL for applications not specified in the instruction manual.
5. Never operate the tool while wearing loose clothing, a necktie or jewelry, or while your hair is uncovered, to protect against getting caught in the moving machinery.
6. Never reach around the saw blade.
7. Never touch any moving parts, including the blade, while the saw is in use.
8. Never remove any safety devices or blade guards; use of the tool without them would be hazardous.
9. Never lock the lower guard; always confirm that it slides smoothly before using the tool.
10. Never damage the power cord of the tool.

11. Never attempt to move a plugged-in POWER TOOL while your finger is on the starting switch.
12. Never use the POWER TOOL if the starting switch does not turn on and off properly.
13. Never use the POWER TOOL if the plastic housing or the handle is cracked or deformed.
14. Never use the POWER TOOL near flammable liquids or gases because sparking can cause an explosion.
15. Never clean plastic components with solvents because the plastic may dissolve.
16. Never operate the saw unless all the lower guards are in place.
17. Never raise the saw blade from the workpiece until it has first come to a complete stop.
18. When slide cutting, never pull the handle toward the operator, since this could cause the saw blade to kick up from the workpiece. Always push the handle away from the operator in a single, smooth motion.
19. Never place your limbs inside of the line next to warning sign "  " while the tool is being operated. This may cause hazardous conditions.
20. Never use abrasive type blades on this saw.
21. Never expose to rain or use in damp locations.
22. Never cut ferrous metals or masonry.

WARNING

FOR YOUR OWN SAFETY READ THIS INSTRUCTION MANUAL BEFORE OPERATING THE COMPOUND SAW

1. Always wear eye protection when using the compound saw.
2. Always keep hands out of the path of the saw blade.
3. Never operate the saw without the guards in place.
4. Never perform any freehand operation with the compound saw.
5. Never reach around the saw blade.
6. Always turn off tool and wait for saw blade to stop before moving workpiece or changing settings.
7. Always disconnect power before changing blade or servicing.
8. Saw blade diameter is 10" (255mm).
9. No load speed is 5000/min.
10. To reduce the risk of injury, return carriage to the full rear position after each crosscut operation.

REPLACEMENT PARTS

When servicing use only identical replacement parts.
Repairs should be conducted only by a Hitachi authorized service center.

USE PROPER EXTENSION CORD

Make sure your extension cord is in good condition. When using an extension cord, be sure to use one heavy enough to carry the current your product will draw. An undersized cord will cause a drop in line voltage resulting in loss of power and overheating. Table shows the correct size to use depending on cord length and nameplate ampere rating. If in doubt, use the next heavier gage. The smaller the gage number, the heavier the cord.

MINIMUM GAGE FOR CORD SETS

		Total Length of Cord in Feet (Meter)			
		0 – 25 (0 – 7.6)	26 – 50 (7.9 – 15.2)	51 – 100 (15.5 – 30.5)	101 – 150 (30.8 – 45.7)
Ampere Rating		AWG			
More Than	Not More Than				
	0 – 6	18	16	16	14
	6 – 10	18	16	14	12
	10 – 12	16	16	14	12
	12 – 16	14	12	Not Recommended	

⚠ WARNING: Avoid electrical shock hazard. Never use this tool with a damaged or frayed electrical cord or extension cord. Inspect all electrical cords regularly. Never use in or near water or in any environment where electric shock is possible.

DOUBLE INSULATION FOR SAFER OPERATION

To ensure safer operation of this power tool, HITACHI has adopted a double insulation design. "Double insulation" means that two physically separated insulation systems have been used to insulate the electrically conductive materials connected to the power supply from the outer frame handled by the operator. Therefore, either the symbol "⊞" or the words and "Double insulation" appear on the power tool or on the nameplate. Although this system has no external grounding, you must still follow the normal electrical safety precautions given in this Instruction Manual, including not using the power tool in wet environments.

To keep the double insulation system effective, follow these precautions:

- * Only HITACHI AUTHORIZED SERVICE CENTER should disassemble or assemble this power tool, and only genuine HITACHI replacement parts should be installed.
- * Clean the exterior of the power tool only with a soft cloth moistened with soapy water and dry thoroughly.
- * Never use solvents, gasoline or thinners on plastic components; otherwise the plastic may dissolve.

**SAVE THESE INSTRUCTIONS
AND
MAKE THEM AVAILABLE TO
OTHER USERS
AND
OWNERS OF THIS TOOL!**

OPERATION AND MAINTENANCE

NOTE: The information contained in this Instruction Manual is designed to assist you in the safe operation and maintenance of the power tool. Some illustrations in this Instruction Manual may show details or attachments that differ from those on your own power tool.

NAME OF PARTS

MODEL C10FCH/MODEL C10FCE

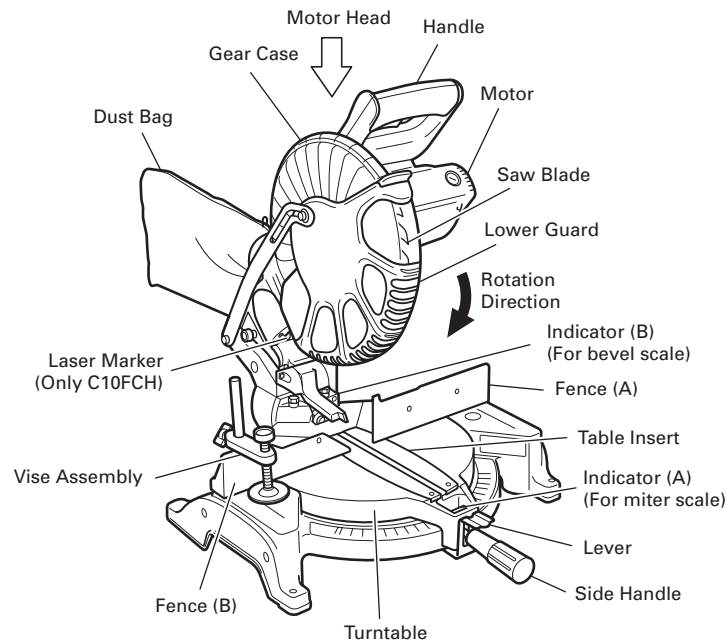


Fig. 1

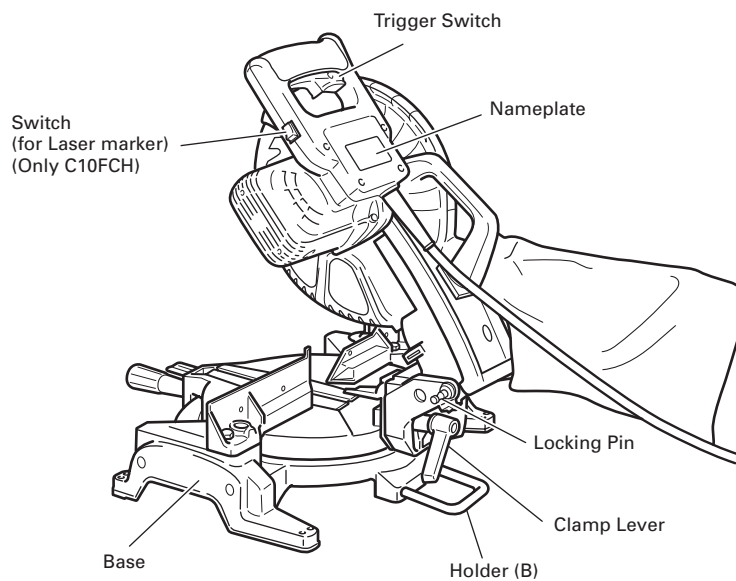


Fig. 2

SPECIFICATIONS

Item	Model	C 10FCH / C 10FCE				
Motor	Type	Series commutator motor				
	Power source	Single-phase AC 60Hz				
	Voltage (Volts)	120				
	Full-load current (Amp)	15				
Laser Marker (Only Model C10FCH)	Maximum output	<1mW CLASS II Laser Product				
	Wave length	400~700 nm				
	Laser medium	Laser Diode				
Applicable saw blade	Outside Dia. 10" (255mm) Hole Dia. 5/8" (15.9mm)					
No load speed	5000/min					
Max. sawing dimension	Miter	Head	Turntable	Max. sawing dimension		
		0	0	Max. Height	2-5/16" (59mm)	
		0	Left 45°		Max. Width	5-21/32" (144mm)
					or	
					Max. Height	3-1/2" (89mm)
					Max. Width	3-31/32" (101mm)
	Bevel	Left 45°	0		Max. Height	2-5/16" (59mm)
					Max. Width	4" (102mm)
Compound	Left 45°	Left 45°		Max. Height	1-3/4" (41mm)	
				Max. Width	5-21/32" (144mm)	
Miter sawing range	Left 0° – 52° Right 0° – 52°					
Bevel sawing range	Left 0° – 45°					
Compound sawing range	Left (Bevel) 0° – 45°, Left and Right (Miter) 0° – 45°					
Net weight	27.6 lbs. (12.5 kg)					
Cord	2 Conductor type cable 6ft. (1.8m)					

APPLICATIONS

Wood and aluminum sash.

PREPARATION BEFORE OPERATION

Make the following preparations before operating the power tool:

1. Installation

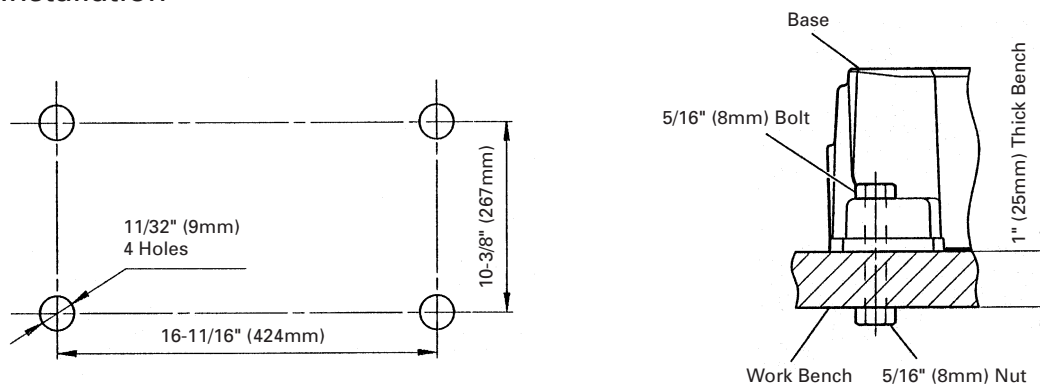


Fig. 4

Attach the power tool to a level, horizontal work bench in accordance with Fig. 4. Select 5/16" (8mm) diameter bolts suitable in length for the thickness of the work bench. Bolt length should be at least 1-3/8" (35mm) plus the thickness of the work bench. For example, use 2-11/32" (60mm) or larger bolts for a 1" (25mm) thick work bench. The holder attached to the rear of the base helps stabilize the power tool.

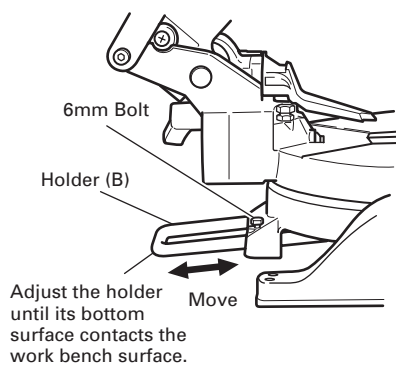


Fig. 5

Holder (B) adjustment:

Loosen the 6mm bolt with the supplied 10mm box wrench. Adjust the holder (B) until its bottom surface contacts the work bench surface. After adjustment, firmly tighten the 6mm bolt.

⚠ CAUTION: Attach the power tool to a work bench with bolts (6mm), and if the turntable has been swiveled 45° degrees or more, be careful not to let the hand that is holding the side handle get caught between the side handle and heads of bolts (6mm). Injuries could result.

2. Releasing the locking pin

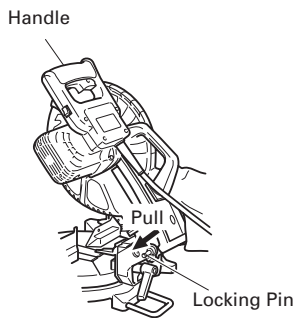


Fig. 6

When the power tool is prepared for shipping, its main parts are secured by a locking pin. Move the handle slightly so that the locking pin can be disengaged.

NOTE: Lowering the handle slightly will enable you to disengage the locking pin more easily and safely. The lock position of the locking pin is for carrying and storage only.

3. Installing the dust bag, holder, stopper and vises

(The holder and stopper are optional accessories.)

Attach the dust bag and vise assembly as indicated in Fig. 1 and Fig. 2.

BEFORE USING

1. Make sure the power source is appropriate for the tool.

⚠ WARNING: Never connect the power tool unless the available AC power source is of the same voltage as that specified on the nameplate of the tool. Never connect this power tool to a DC power source.

2. Make sure the trigger switch is turned OFF.

⚠ WARNING: If the power cord is connected to the power source with the trigger switch turned ON the power tool will start suddenly and can cause a serious accident.

3. Check the saw blade for visible defects.

Confirm that the saw blade is free of cracks or other visible damage.

4. Confirm that the saw blade is attached securely to the power tool.

Using the supplied 10mm box wrench, tighten the bolt on the saw blade spindle to secure the saw blade.

For details, see Fig. 33-a, Fig. 33-b, Fig. 33-c and Fig. 33-d in the section on "SAW BLADE MOUNTING AND DISMOUNTING".

5. Check the lower guard for proper operation.

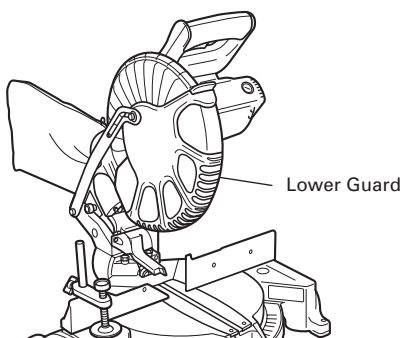


Fig. 7

Lower guard is designed to protect the operator from coming into contact with the saw blade during operation of the tool.

Always check that the lower guard moves smoothly and covers the saw blade properly.

⚠ WARNING: NEVER OPERATE THE POWER TOOL if the safety cover does not function smoothly.

6. Confirm the position of the spindle lock before using the tool.

After installing the saw blade, confirm that the spindle lock has been returned to the retract position before using the power tool (see Fig. 33-b).

7. Check the Power Receptacle.

To prevent overheating, accidental stopping or intermittent operation, confirm that the power cord plug fits properly in the electrical receptacle and does not fall out after it is inserted. Repair or replace the receptacle if it is faulty.

8. Confirm the tool's power cord is not damaged.

Repair or replace the power cord if an inspection indicates that it is damaged.

AFTER CONNECTING THE POWER PLUG TO AN APPROPRIATE AC POWER SOURCE, CHECK THE OPERATION OF THE TOOL AS FOLLOWS:

9. Trial Run

After confirming that no one is standing behind, the power tool start and confirm that no operating abnormalities exist before attempting a cutting operation.

10. Inspect the rotating stability of the saw blade.

For precise cutting, rotate the saw blade and check for deflection to confirm that the blade is not noticeably unstable; otherwise vibrations might occur and cause an accident.

BEFORE CUTTING

1. Oblique angle

Before the power tool is shipped from the factory, it is adjusted for 0°, left 45° bevel cutting angle with the 8mm bolt (A) and the 8mm bolt (B).

When changing the adjustment, change the height of the 8mm bolt (A) or the 8mm bolt (B) by turning them. (Fig. 8-a, Fig. 8-b)

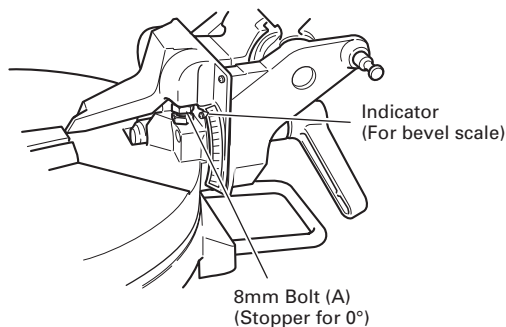


Fig. 8-a

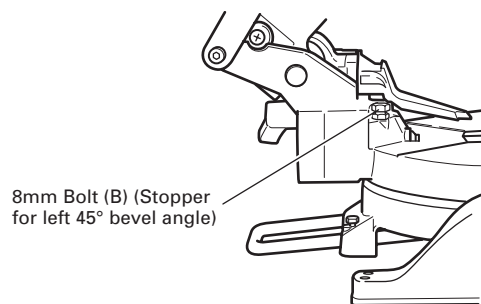


Fig. 8-b

2. Securing the workpiece

⚠ WARNING: Always clamp or vise to secure the workpiece to the fence; otherwise the workpiece might be thrust from the table and cause bodily harm.

3. Installing the holders ... (Optional accessory)

The holders help keep longer workpieces stable and in place during the cutting operation.

(1) As indicated in Fig. 9, use a steel square for aligning the upper edge of the holders with the base surface.

Loosen the 6mm wing nut. Turn a height adjustment bolt 6mm, and adjust the height of the holder.

(2) After adjustment, firmly tighten the wing nut and fasten the holder with the 6mm wing bolt (optional accessory). If the length of Height Adjustment Bolt 6mm is insufficient, spread a thin plate beneath. Make sure the end of Height Adjustment Bolt 6mm does not protrude from the holder.

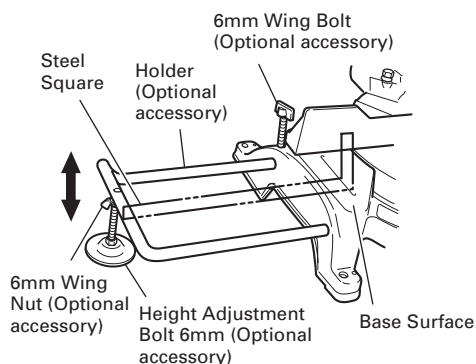


Fig. 9

4. Stopper for precision cutting ... (Stopper and holder are optional accessory)

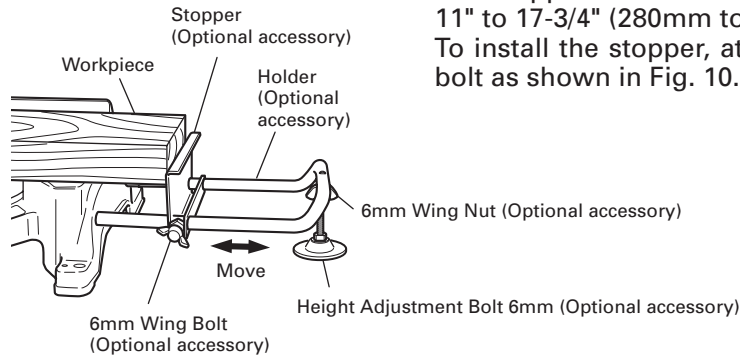


Fig. 10

The stopper facilitates continuous precision cutting in lengths of 11" to 17-3/4" (280mm to 450mm). To install the stopper, attach it to the holder with the 6mm wing nut as shown in Fig. 10.

5. Confirmation for use of sub fence ...(Optional accessory)

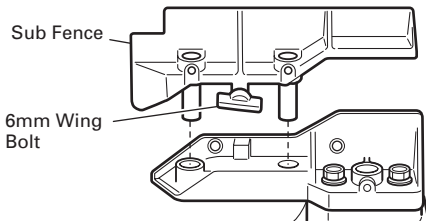


Fig. 11

⚠ WARNING: In the case of left bevel cutting, remove the sub fence. Supposing it is not able to remove it, It will contact the blade or some part of the tool, causing in serious injury to operator.

In the case of direct angle cutting and angle cutting, use the sub fence. The sub fence can be installed on the left side of the guide fence. Insert the rods of the sub fence into the holes in the guide fence. Tighten the 6mm wing bolt which come with the sub fence to secure the sub fence. Then, you can realize stable cutting of the material with a wide back face.

6. Position adjustment of laser line (Only Model C10FCH)

- ⚠ WARNING:** * Make sure before plugging the power plug into the receptacle that the main body and the laser marker are turned off.
- * Exercise utmost caution in handling a switch trigger for the position adjustment of the laser line, as the power plug is plugged into the receptacle during operation. If the switch trigger is pulled inadvertently, the saw blade can rotate and result in unexpected accidents.
- * Do not remove the laser marker to be used for other purposes.

⚠ CAUTION:

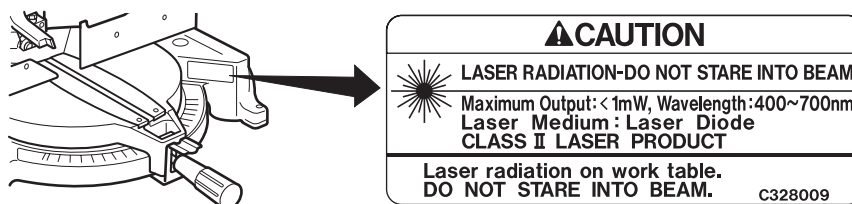


Fig. 12

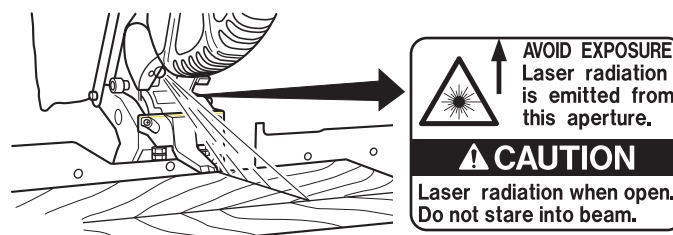


Fig. 13

- * Laser radiation- Do not stare into beam.
- * Laser radiation on work table. Do not stare into beam.
If your eye is exposed directly to the laser beam, it can be hurt.
- * Do not dismantle it.
- * Do not give strong impact to the laser marker (main body of tool); otherwise, the position of a laser line can go out of order, resulting in the damage of the laser marker as well as a shortened service life.
- * Keep the laser marker lit only during a cutting operation. Prolonged lighting of the laser marker can result in a shortened service life.
- * Use of controls or adjustments or performance of procedures other than those specified herein may result in hazardous radiation exposure.

- NOTE:**
- * Perform cutting by overlapping the ink line with the laser line.
 - * When the ink line and the laser line are overlapped, the strength and weakness of light will change, resulting in a stable cutting operation because you can easily discern the conformity of lines. This ensures the minimum cutting errors.
 - * In outdoor or near-the-window operations, it may become difficult to observe the laser line due to the sunlight. Under such circumstances, move to a place that is not directly under the sunlight and engage in the operation.
 - * Do not tug on the cord behind the motor head or hook your finger, wood and the like around it; otherwise, the cord may come off and the laser marker may not be lit up.

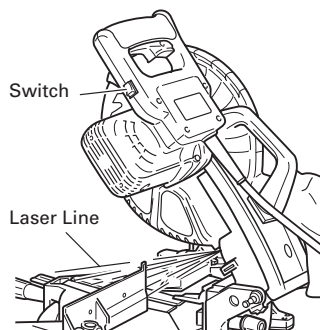


Fig. 14

Ink lining can be easily made on this tool to the laser marker. A switch lights up the laser marker. (Fig. 14)
Depending upon your cutting choice, the laser line can be aligned with the left side of the cutting width (saw blade) or the ink line on the right side.
The laser line is adjusted to the width of the saw blade at the time of factory shipment. Adjust the positions of the saw blade and the laser line taking the following steps to suit the use of your choice.

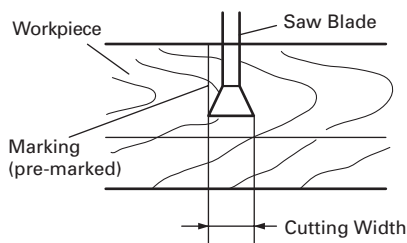


Fig. 15

- (1) Light up the laser marker and make a groove of about 3/16" (5mm) deep on the workpiece that is about 1-1/2" (38mm) in height and 3-1/2" (89mm) in width. Hold the grooved workpiece by vise as it is and do not move it.

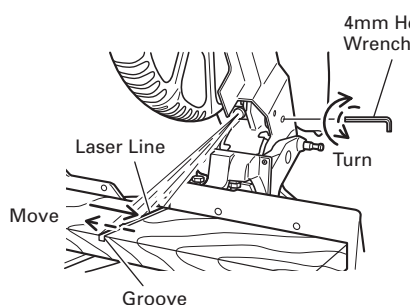


Fig. 16

- (2) Then insert a 4mm hex. bar wrench in the 12 diameter hole on the side of the gear case, turn the hex. socket set screw to move the laser line. (If you turn the Hex. socket screw clockwise, the laser line will shift to the right and if you turn it counterclockwise, the laser line will shift to the left.) When you work with the ink line aligned with the left side of the saw blade, align the laser line with the left end of the groove. (Fig. 16) When you align it with the right side of the saw blade, align the laser line with the right side of the groove.

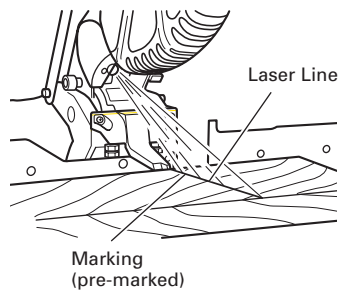


Fig. 17

- (3) After adjusting the position of the laser line, draw a right-angle ink line on the workpiece and align the ink line with the laser line. When aligning the ink line, slide the workpiece little by little and secure it by vise at a position where the laser line overlaps with the ink line. Work on the grooving again and check the position of the laser line. If you wish to change the laser line's position, make adjustments again following the steps from (1) to (3).

NOTE: Check and make sure on a periodic basis if the position of the laser line is in order. As regards the checking method, draw a right-angle ink line on the workpiece with the height of about 1-1/2" (38mm) and the width of 3-1/2" (89mm), and check that the laser line is in line with the ink line [The deviation between the ink line and the laser line should be less than the ink line width (0.5mm)]. (Fig. 17)

PRACTICAL APPLICATIONS

- ⚠ WARNING:** * To avoid personal injury, never remove or place a workpiece on the table while the tool is being operated.
* Never place your limbs inside of the line next to warning sign while the tool is being operated. This may cause hazardous conditions (see Fig. 18).

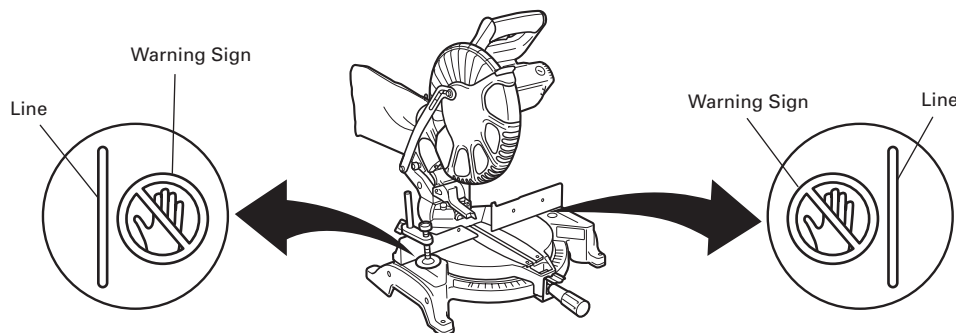


Fig. 18

1. Switch operation

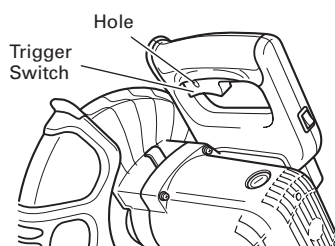


Fig. 19

Pull the trigger to turn on the switch, release it to shut it off. After releasing the trigger, make sure the trigger has gone all the way back and the switch is turned off.

- ⚠ WARNING:** This will ensure that the power tool cannot be turned on accidentally or by someone (especially a child) who is not qualified to use the power tool. To prevent unauthorized operation of this tool, insert a padlock through the hole in the switch trigger.

2. Using the Vise Assembly (Standard accessory)

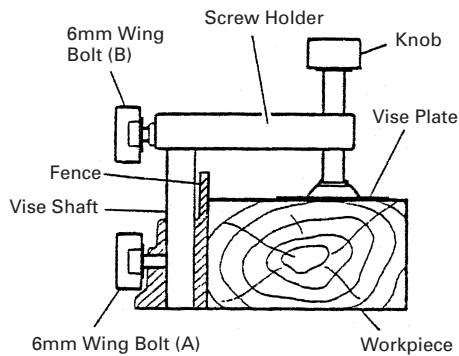


Fig. 20

- (1) The vise assembly can be mounted on either the left fence {Fence (B)} or the right fence {Fence (A)} by loosening the 6mm wing bolt (A).
- (2) The screw holder can be raised or lowered according to the height of the workpiece by loosening the 6mm wing bolt (B). After the adjustment, firmly tighten the 6mm wing bolt (B) and fix the screw holder.
- (3) Turn the upper knob and securely fix the workpiece in position (Fig. 20).

⚠ WARNING: Always firmly clamp or vise to secure the workpiece to the fence; otherwise the workpiece might be thrust from the table and cause bodily harm.

⚠ CAUTION: Always confirm that the motor head (see Fig. 1) does not contact the vise assembly when it is lowered for cutting. If there is any danger that it may do so, loosen the 6 mm wing bolt (B) and move the vise assembly to a position where it will not contact the saw blade.

3. Cutting Operation

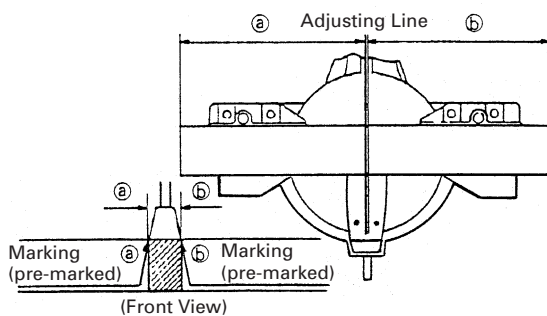


Fig. 21

- (1) As shown in Fig. 21 the width of the saw blade is the width of the cut. Therefore, slide the workpiece to the right (viewed from the operator's position) when length ⑥ is desired, or to the left when length ① is desired.

(Only Model C10FCH)

If a laser marker is used, align the laser line with the left side of the saw blade, and then align the ink line with the laser line.

- (2) Once the saw blade reaches maximum speed, push the handle down carefully until the saw blade approaches the workpiece.
- (3) Once the saw blade contacts the workpiece, push the handle down gradually to cut into the workpiece.
- (4) After cutting the workpiece to the desired depth, turn the power tool OFF and let the saw blade stop completely before raising the handle from the workpiece to return it to the full retract position.

⚠ WARNING: * Confirm that the trigger switch is turned OFF and the power plug has been removed from the receptacle whenever the tool is not in use.

* When you cut the workpiece, avoid any cutoff thinner than the clearance between the cutting edge and the saw blade. Otherwise, the cut-off material can enter the clearance between the cutting edge and the saw blade and scatter around you, resulting in an injury.

⚠ CAUTION: * Increased pressure on the handle will not increase the cutting speed. On the contrary, too much pressure may result in overload of the motor and/or decreased cutting efficiency.

* If the handle is pressed down with excessive or lateral force, the saw blade may vibrate during the cutting operation and cause unwanted cutting marks on the workpiece, thus reducing the quality of the cut. Accordingly, press the handle down gently and carefully.

4. Miter cutting procedures

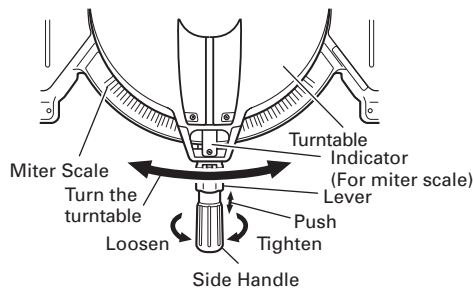


Fig. 22

- (1) Loosen the side handle and push the lever for angle stoppers. Then, adjust the turntable until the indicator aligns with desired setting on the miter scale (Fig. 22).
- (2) Re-tighten the side handle to secure the turntable in the desired position.

NOTE: * Positive stops are provided at the right and left of the 0° center setting, at 15°, 22.5°, 31.6° and 45° settings. Check that the miter scale and the tip of the indicator are properly aligned.

* Operation of the saw with the miter scale and indicator out of alignment, or with the side handle not properly tightened, will result in poor cutting precision.

⚠ CAUTION: Never remove the side handle; use of the tool without it would be hazardous. To prevent an accident or personal injury always firmly tighten the miter handle.

5. Bevel cutting procedures

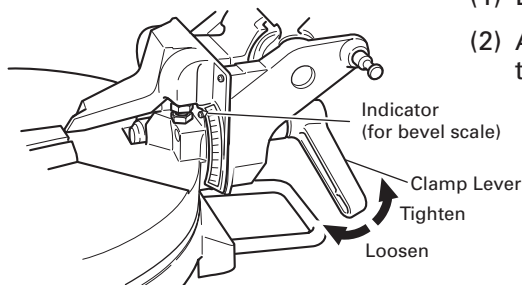


Fig. 23

- (1) Loosen the clamp lever and bevel the saw blade to the left.
- (2) Adjust the bevel angle to the desired setting while watching the bevel angle scale and indicator, then secure the clamp lever.

⚠ WARNING: When the workpiece is secured on the left or right side of the blade, the short cut-off portion will come to rest on the right or left side of the saw blade. Always turn the power off and let the saw blade stop completely before raising the handle from the workpiece.

If the handle is raised while the saw blade is still rotating, the cut-off piece may become jammed against the saw blade causing fragments to scatter about dangerously.

When stopping the bevel cutting operation halfway, start cutting after pulling back the motor head to the initial position.

Starting from halfway, without pulling back, causes the safety cover to be caught in the cutting groove of the workpiece and to contact the saw blade.

6. Compound cutting procedures

Compound cutting can be performed by following the instructions in 4 and 5 above. For maximum dimensions for compound cutting, refer to "SPECIFICATIONS" table on page 9.

⚠ CAUTION: Always secure the workpiece with the right hand side for compound cutting. Never rotate the table to the right for compound cutting, because the saw blade might then contact the clamp or vise that secures the workpiece, and cause personal injury or damage.

7. Crown molding cutting procedures

Fig. 24 shows two common crown molding types having angles of (θ) 38° and 45°. For the typical crown molding fittings, see Fig. 25.

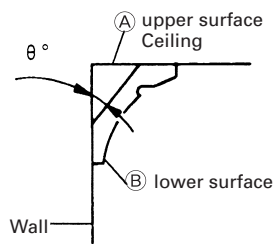


Fig. 24

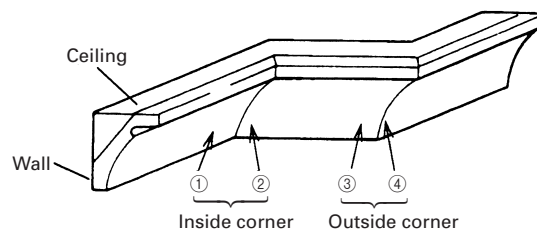


Fig. 25

The table below shows the miter angle and the bevel angle settings that are ideal for the two crown molding types.

NOTE: For convenience, positive stops are provided for the miter setting (left and right 31.6°) positions.

For miter cut setting

If the turntable has been set to either of the angles described, move the turntable adjusting side handle a little to the right and left to stabilize the position and to properly align the miter angle scale and the tip of the indicator before the operation starts.

For bevel cut setting

Move handle on bevel section to the left and check that the position is stable and that the bevel angle scale and the tip of the indicator are properly aligned. Then tighten the clamp lever.

Type of Crown Molding	To process crown molding at positions ① and ④ in Fig. 36.		To process crown molding at positions ② and ③ in Fig. 36.	
	Miter Angle Setting	Bevel Angle Setting	Miter Angle Setting	Bevel Angle Setting
45° Type	right 35.3° (↓ mark)	left 30° (↓ mark)	left 35.3° (↓ mark)	left 30° (↓ mark)
38° Type	right 31.6° (↓ mark)	left 33.9° (↓ mark)	left 31.6° (↓ mark)	left 33.9° (↓ mark)

(1) Setting to cut crown moldings at positions ① and ④ in Fig. 25 (see Fig. 26; tilt the motor head to the left):

- ① Turn the turntable to the right and set the Miter Angle as follows:
 - * For 45° type crown moldings: 35.3° (↓ mark)
 - * For 38° type crown moldings: 31.6° (↓ mark)
- ② Tilt the motor head to the left and set the Bevel Angle as follows:
 - * For 45° type crown moldings: 30° (↓ mark)
 - * For 38° type crown moldings: 33.9° (↓ mark)
- ③ Position the crown molding so that the upper surface (A in Fig. 24) contacts the fence as indicated in Fig. 28.

(2) Setting to cut crown moldings at positions ② and ③ in Fig. 25 (see Fig. 27; tilt the head to the left):

- ① Turn the turntable to the left and set the Miter Angle as follows:
 - * For 45° type crown moldings: 35.3° (↓ mark)
 - * For 38° type crown moldings: 31.6° (↓ mark)
- ② Tilt the head to the left and set the Bevel Angle as follows:
 - * For 45° type crown moldings: 30° (↓ mark)
 - * For 38° type crown moldings: 33.9° (↓ mark)
- ③ Position the crown molding so that the lower surface (B in Fig. 24) contacts the fence as in Fig. 29.

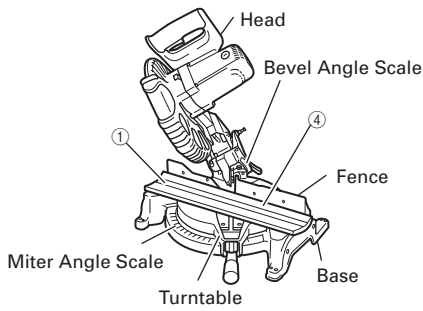


Fig. 26

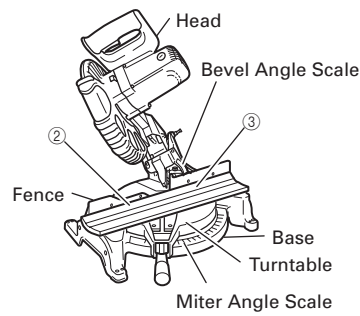


Fig. 27

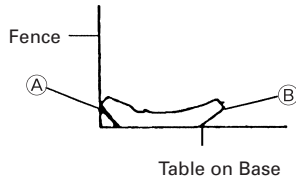


Fig. 28

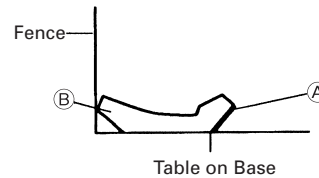


Fig. 29

Cutting method of crown molding without tilting the saw blade.

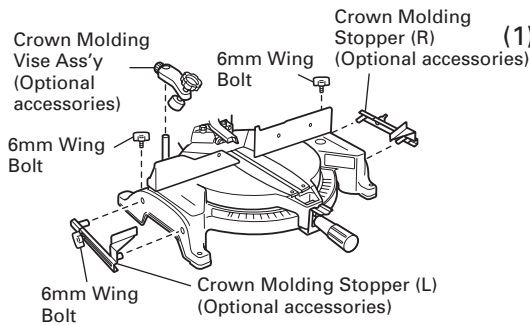


Fig. 30-a

(1) Crown molding Stopper (L) and (R) (optional accessories) allow easier cuts of crown molding without tilting the saw blade. Install them in the base both-sides side to be shown in Fig. 30-a. After inserting Tighten the 6mm knob bolts to secure the crown molding Stoppers.

[Optional accessories used]

- Crown molding Vise Ass'y (Include Crown molding Stopper (L))
- Crown molding Stopper (L)
- Crown molding Stopper (R)

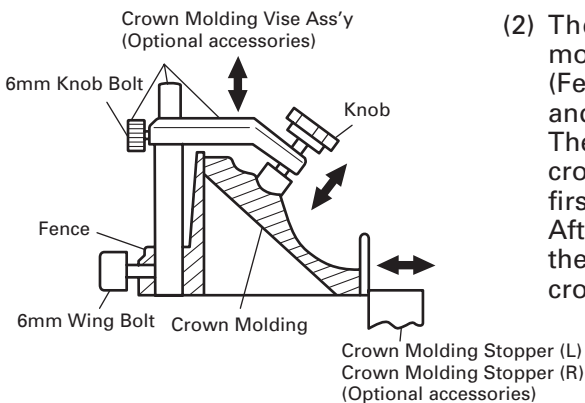


Fig. 30-b

(2) The crown molding vise (B) (Optional accessory) can be mounted on either the left fence (Fence (B)) or the right fence (Fence (A)). It can unite with the slope of the crown molding and vise can be pressed down.

Then turn the upper knob, as necessary, to securely attach the crown molding in position. To raise or lower the vise assembly, first loosen the 6mm knob bolt.

After adjusting the height, firmly tighten the 6mm wing bolt; then turn the upper knob, as necessary, to securely attach the crown molding in position. (See Fig. 30-b)

⚠ WARNING: Always firmly clamp or vise to secure the crown molding to the fence; otherwise the crown molding might be thrust from the table and cause bodily harm. Do not bevel cutting. The main body or saw blade may contact the sub fence, resulting in an injury.

⚠ CAUTION: Always confirm that the motor head (see Fig. 1) does not contact the crown molding vise ass'y when it is lowered for cutting. If there is any danger that it may do so, loosen the 6mm knob bolt and move the crown molding vise ass'y to a position where it will not contact the saw blade.

Position crown molding with its WALL CONTACT EDGE against the guide fence and its CEILING CONTACT EDGE against the crown molding Stoppers as shown in Fig. 30-b. Adjust the crown molding Stoppers according to the size of the crown molding. Tighten the 6mm wing bolt to secure the crown molding Stoppers.

8. Cutting easily-deformed materials, such as aluminum sash

Materials such as aluminum sash can easily deform when tightened too much in a vise assembly. This will cause inefficient cutting and possible overload of the motor.

When cutting such materials, use a wood plate to protect the workpiece as shown in Fig. 31-a. Set the wood plate near the cutting section.

When cutting aluminum materials, coat the saw blade with cutting oil (non-combustible) to achieve smooth cutting and a fine finish.

In addition, in case of a U-shaped workpiece, use the wood plate as shown in Fig. 31-b to ensure stability in the lateral direction, and clamp it near the cutting section of the workpiece and tighten it using both the vise assembly and the clamp available in the market.

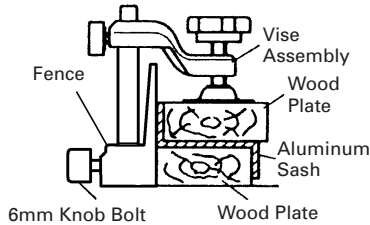


Fig. 31-a

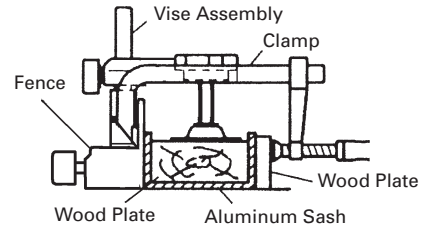


Fig. 31-b

9. How to use the dust bag (Standard accessory)

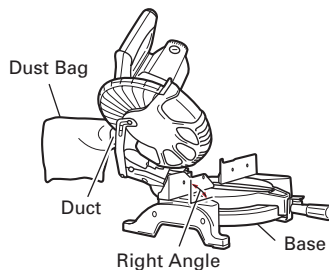


Fig. 32

- (1) When the dust bag has become full of sawdust, dust will be blown out of the dust bag when the saw blade rotates. Check the dust bag periodically and empty it before it becomes full.
- (2) During bevel and compound cutting, attach the dust bag at a right angle to the base surface as shown in Fig. 32.

⚠ CAUTION: Empty the dust bag frequently to prevent the duct and the safety cover from becoming clogged.
Sawdust will accumulate more quickly than normal during bevel cutting.

SAW BLADE MOUNTING AND DISMOUNTING

⚠ WARNING: * To prevent an accident or personal injury, always turn off the trigger switch and disconnect the power plug from the receptacle before removing or installing a saw blade.

If cutting work is done in a state where the bolt is not sufficiently tightened, the bolt can get loose, the blade can come off, and the lower guard can get damaged, resulting in injuries.

Also, check that the bolts are properly tightened before plugging the power plug into the receptacle.

* If the bolts are attached or detached using tools other than the 10mm box wrench (standard accessory), excessive or improperly tightening occurs, resulting in injury.

1. Mounting the saw blade (Fig. 33-a, Fig. 33-b, Fig. 33-c and Fig. 33-d)

- (1) Rotate the lower guard (plastic) to the top position.
- (2) Use the driver to loosen the 4mm screw fastening the spindle cover and then remove the spindle cover.
- (3) Press in spindle lock and loosen bolt with 10mm box wrench (standard accessory).
Since the bolt is left-hand threaded, loosen by turning it to the right as shown in Fig. 33-c.

NOTE: If the spindle lock cannot be easily pressed in to lock the spindle, turn the bolt with 10mm box wrench (standard accessory) while applying pressure on the spindle lock.
The saw blade spindle is locked when the spindle lock is pressed inward.

- (4) Remove the bolt and washer (D)

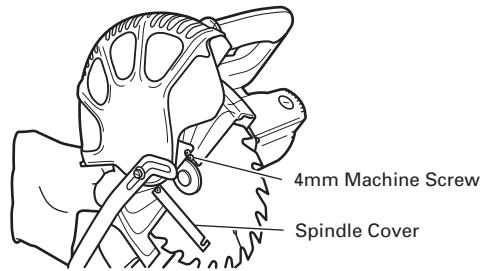


Fig. 33-a

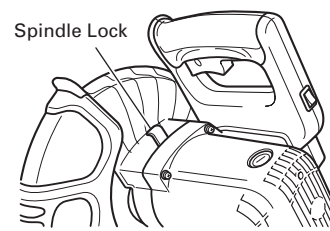


Fig. 33-b

- (5) Lift the lower guard and mount the saw blade.

⚠ WARNING: When mounting the saw blade, confirm that the rotation indicator mark on the saw blade and the rotation direction of the gear case (see Fig. 1) are properly matched.

- (6) Thoroughly clean washer (D) and the bolt, and install them onto the saw blade spindle.

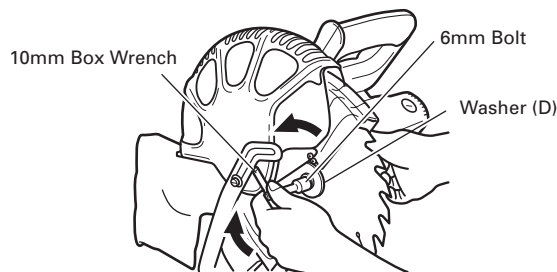


Fig. 33-c

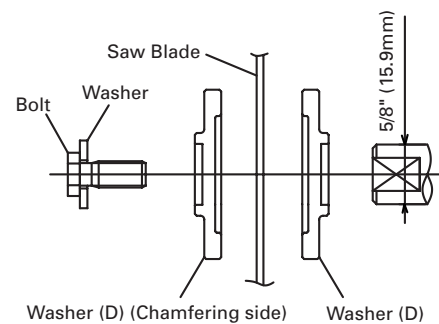


Fig. 33-d

- (7) Press in the spindle lock and tighten the bolt by turning it to the left by standard accessories wrench (10mm box wrench) as indicated in Fig. 33-c.

⚠ CAUTION: * Confirm that the spindle lock has returned to the retract position after installing or removing the saw blade.

* Tighten the bolt so it does not come loose during operation.

Confirm the bolt has been properly tightened before the power tool is started.

2. Dismounting the saw blade

Dismount the saw blade by reversing the mounting procedures described in paragraph 1 above. The saw blade can easily be removed after lifting the safety cover.

⚠ CAUTION: Never attempt to install saw blades larger than 10" (255mm) in diameter. Always install saw blades that are 10" (255mm) in diameter or less.

MAINTENANCE AND INSPECTION

⚠ WARNING: To avoid an accident or personal injury, always confirm that the trigger switch is turned OFF and the power plug has been disconnected from the receptacle before performing any maintenance or inspection of this tool.

1. Inspecting the saw blade

Always replace the saw blade immediately upon the first sign of deterioration or damage.

A damaged saw blade can cause personal injury and a worn saw blade can cause ineffective operation and possible overload to the motor.

⚠ CAUTION: Never use a dull saw blade. When a saw blade is dull, its resistance to the hand pressure applied by the tool handle tends to increase, making it unsafe to operate the power tool.

2. Inspecting the lever

If the M6 hexagonal head bolts (2) are loose, align the sides of the fence and saw blade with the steel square. After adjusting the saw blade and fence to a ninety-degree angle, tighten the lever securing hexagonal head bolts (2).

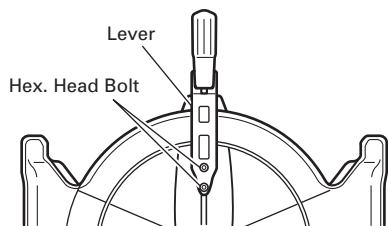


Fig. 34-a

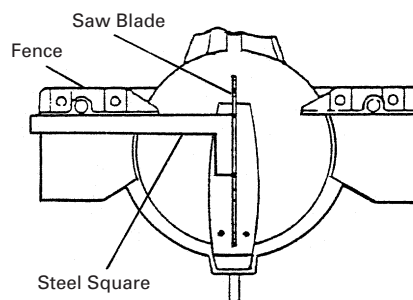


Fig. 34-b

3. Inspecting the carbon brushes (Fig. 35 and Fig. 36)

The carbon brushes in the motor are expendable parts.

If the carbon brushes become excessively worn, motor trouble might occur.

Therefore, inspect the carbon brushes periodically and replace them when they have become worn to the wear limit line as shown in Fig. 35.

Also, keep the carbon brushes clean so that they will slide smoothly within the brush holders.

The carbon brushes can easily be removed after removal of the brush caps (see Fig. 36) with a slotted (minus) screwdriver.

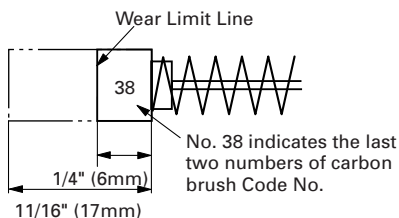


Fig. 35

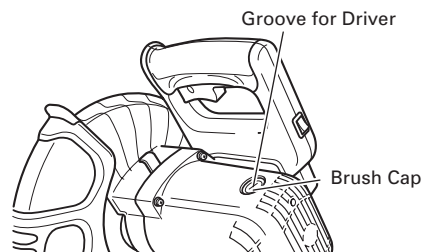


Fig. 36

4. About Handling the Motor (see Fig. 1)

Winding of the motor is said to be the heart of this tool. Exercise utmost caution not to damage the winding by exposing it to wash oil or water.

NOTE: Accumulation of dust and the like inside the motor can result in a malfunction.

After using the motor for 50 hours or so, carry out no-load running, and blow in the dry air from a wind hole at the motor's rear. Such action is effective to discharge dust and the like.

5. Inspecting the screws

Regularly inspect each component of the power tool for looseness.

Re-tighten screws on any loose part.

⚠ WARNING: To prevent personal injury, never operate the power tool if any components are loose.

6. Inspecting the lower guard for proper operation

Before each use of the tool, test the lower guard (see Fig. 7) to assure that it is in good condition and that it moves smoothly.

Never use the tool unless the lower guard operates properly and it is in good mechanical condition.

7. Storage

After operation of the tool has been completed, check that the following has been performed:

- (1) Trigger switch is in OFF position,
- (2) Power plug has been removed from the receptacle,
- (3) Lock-off button has been removed and stored in a secure place.

When the tool is not in use, keep it stored in a dry place out of the reach of children.

8. Lubrication

Lubricate the following sliding surfaces once a month to keep the power tool in good operating condition for a long time (see Fig. 1 and Fig. 2). Use of machine oil is recommended.

Oil supply points:

- * Rotary portion of hinge
- * Rotary portion of vise assembly

9. Cleaning

Periodically remove chips, dust and other waste material from the surface of the power tool, especially from the inside of the lower guard with a damp, soapy cloth. To avoid a malfunction of the motor, protect it from contact with oil or water.

(Only Model C10FCH)

If the laser line becomes invisible due to chips and the like adhered onto the window of the laser marker's light-emitting section, wipe and clean the window with a dry cloth or a soft cloth moistened with soapy water, etc.

SERVICE AND REPAIRS

All quality power tools will eventually require servicing or replacement of parts because of wear from normal use. To assure that only authorized replacement parts will be used and that the double insulation system will be protected, all service (other than routine maintenance) must be performed by an AUTHORIZED HITACHI POWER TOOL REPAIR CENTER ONLY.

NOTE: Specifications are subject to change without any obligation on the part of HITACHI.

INFORMATIONS IMPORTANTES DE SÉCURITÉ

Lire et comprendre toutes les précautions de sécurité, les avertissements et les instructions de fonctionnement dans ce mode d'emploi avant d'utiliser ou d'entretenir cet outil motorisé.

La plupart des accidents causés lors de l'utilisation ou de l'entretien de l'outil motorisé proviennent d'un non respect des règles ou précautions de base de sécurité. Un accident peut la plupart du temps être évité si l'on reconnaît une situation de danger potentiel avant qu'elle ne se produise, et en observant les procédures de sécurité appropriées.

Les précautions de base de sécurité sont mises en évidence dans la section "SECURITE" de ce mode d'emploi et dans les sections qui contiennent les instructions de fonctionnement et d'entretien.

Les dangers qui doivent être évités pour prévenir des blessures corporelles ou un endommagement de la machine sont identifiés par AVERTISSEMENTS sur l'outil motorisé et dans ce mode d'emploi.

NE JAMAIS utiliser cet outil motorisé d'une manière qui n'est pas spécifiquement recommandée par HITACHI.

SIGNIFICATION DES MOTS D'AVERTISSEMENT

AVERTISSEMENT indique des situations potentiellement dangereuses qui, si elles sont ignorées, pourraient entraîner la mort ou de sérieuses blessures.

ATTENTION indique des situations dangereuses potentielles qui, si elles ne sont pas évitées, peuvent entraîner de mineures et légères blessures ou endommager la machine.

REMARQUE met en relief des informations essentielles.

SECURITE

CONSIGNES DE SECURITE RELATIVES AUX OUTILS ÉLECTRIQUES

LIRE TOUS LES AVERTISSEMENTS ET TOUTES LES INSTRUCTIONS D'UTILISATION DU MANUEL AVANT DE METTRE L'OUTIL EN SERVICE OU DE L'ENTREtenir :

⚠ AVERTISSEMENT : Lorsqu'on utilise l'outil électrique, prendre toutes les précautions nécessaires pour éviter au maximum tout risque de choc électrique ou autre blessure physique.
En particulier, toujours respecter les consignes de sécurité suivantes :

1. **TOUJOURS LAISSER LES PROTECTIONS EN PLACE** et les maintenir en bon ordre de marche.
2. **TOUJOURS RETIRER LES CLAVETTES DE RÉGLAGE ET LES CLÉS AVANT DE METTRE L'OUTIL EN MARCHÉ.** Toujours vérifier que les clés et les clavettes de réglage sont bien toutes retirées de l'outil avant de le mettre en marche.
3. **TOUJOURS MAINTENIR L'AIRE DE TRAVAIL PROPRE.** Pour éviter tout risque de blessure, ne pas encombrer l'aire de travail ni l'établi.
4. **NE JAMAIS UTILISER L'OUTIL DANS UN ENVIRONNEMENT DANGEREUX.** Ne jamais utiliser l'outil électrique dans un endroit humide ou mouillé, et ne jamais l'exposer à la pluie.
5. **NE JAMAIS LAISSER LES ENFANTS NI AUCUNE AUTRE PERSONNE APPROCHER DE L'AIRE DE TRAVAIL.** Interdire l'accès de l'aire de travail à tout le monde (en particulier aux enfants). Toujours débrancher l'outil quand on s'en éloigne et veiller à ce que personne ne puisse pénétrer dans l'aire de travail en mettant des verrous aux portes et aux interrupteurs principaux.
6. **NE JAMAIS FORCER L'OUTIL.** Il effectuera le travail le meilleur et avec la sécurité maximale au régime pour lequel il a été conçu.

7. **TOUJOURS UTILISER LES OUTILS APPROPRIÉS.** Ne jamais utiliser un outil ou un accessoire pour un travail pour lequel il n'est pas conçu.
8. **PORTER DES VÊTEMENTS APPROPRIÉS PENDANT LE TRAVAIL.** Ne jamais porter de vêtements lâches ni de gants, cravate, bagues, bracelets ni aucun autre bijou. Ils pourraient se coincer dans les pièces en rotation. Toujours porter des chaussures anti-dérapantes, en particulier avec des doigts de pied en acier. Porter un couvre-chef qui recouvre les cheveux longs.
9. **TOUJOURS PORTER DES LUNETTES DE PROTECTION PENDANT LE TRAVAIL POUR ÉVITER TOUT RISQUE DE BLESSURE DES YEUX.** Les lunettes ordinaires n'assurent pas une protection suffisante parce que les verres ne sont pas faits en verre de sécurité. Par ailleurs, porter un masque sur le visage pour accroître la sécurité, et un masque anti-poussière si le travail doit dégager de la poussière.
10. **TOUJOURS FIXER LA PIÈCE À LA GARDE OU À LA TABLE.** Utiliser des dispositifs de serrage ou un étau pour tenir la pièce. Cela sera plus sûr que de tenir la pièce à la main et libérera les deux mains pour le travail.
11. **NE JAMAIS TROP SE PENCHER.** Toujours garder une bonne assise et un bon équilibre pendant le travail.
12. **TOUJOURS ENTRETENIR LES OUTILS AVEC SOIN.** Maintenir les outils aiguisés et propres pour optimiser le travail et la sécurité. Toujours suivre les instructions de graissage et de remplacement des accessoires.
13. **TOUJOURS DÉBRANCHER L'OUTIL** avant un entretien et lors du remplacement des lames ou de tout autre accessoire.
14. **NE JAMAIS RISQUER UNE MISE EN MARCHÉ INOPINÉE LORSQU'ON BRANCHE L'OUTIL.** Toujours vérifier que l'interrupteur est en position OFF avant de brancher la fiche d'alimentation dans la prise secteur.
15. **TOUJOURS UTILISER EXCLUSIVEMENT LES ACCESSOIRES RECOMMANDÉS POUR L'OUTIL.** Consulter le mode d'emploi pour la description des outils recommandés. Pour éviter tout risque de blessure, utiliser exclusivement les accessoires recommandés pour cet outil.
16. **NE JAMAIS MONTER SUR L'OUTIL.** Pour éviter tout risque de blessures graves, ne pas incliner l'outil, et veiller à ne pas toucher la lame par inadvertance.
17. **TOUJOURS VÉRIFIER SI L'OUTIL A DES PIÈCES ENDOMMAGÉES AVANT DE L'UTILISER.** Toujours vérifier si la protection et les autres composants sont endommagés avant d'utiliser l'outil pour s'assurer qu'ils fonctionneront correctement. Vérifier si toutes les pièces mobiles sont bien alignées, non voilées, ou toute autre condition qui pourrait entraver leur bon fonctionnement. Toujours réparer ou remplacer les protections ou les autres pièces endommagées avant d'utiliser l'outil.
18. **TOUJOURS VÉRIFIER LE SENS DE ROTATION DE LA LAME AVANT D'UTILISER L'OUTIL.** Toujours avancer la pièce dans l'outil contre le sens de rotation de la lame pour éviter tout risque de blessure.
19. **NE JAMAIS S'ÉLOIGNER DE L'OUTIL QUAND IL FONCTIONNE. LE METTRE HORS TENSION.** Ne pas s'éloigner de l'outil tant qu'il n'est pas complètement arrêté. Toujours mettre l'outil hors tension quand on ne s'en sert pas. Toujours débrancher le cordon d'alimentation quand on ne se sert pas de l'outil.
20. L'outil n'est pas conçu pour des applications de fabrication en série, et il ne devra donc pas être utilisé dans un environnement de fabrication en série.
21. Pour les réparations, utiliser exclusivement des pièces de rechange agréées.
22. Alimenter l'outil exclusivement sur un courant alternatif de 120 volts. Une tension ou une alimentation incorrectes pourraient provoquer un mauvais fonctionnement de l'OUTIL ELECTRIQUE et provoquer des blessures physiques ou des dommages matériels graves.
23. Ne jamais relever la lame de la pièce tant qu'elle n'est pas complètement arrêtée.
24. Toujours utiliser des supports extérieurs pour assurer la stabilité des longues pièces qui dépassent de la table de la scie à onglets.
25. Pour éviter tout risque de blessure, toujours ramener le chariot complètement vers l'arrière après chaque coupe en travers.
26. **FICHES POLARISÉES** Pour réduire tout risque de choc électrique, l'appareil possède une fiche polarisée (l'une des lames est plus large que l'autre). Cette fiche ne rentrera dans une prise polarisée que dans un sens. Si la fiche ne rentre pas dans la prise, l'inverser. Si elle ne rentre toujours pas, faire installer une prise appropriée par un électricien qualifié. Ne pas modifier la fiche de quelque façon que ce soit.

Consignes de sécurité spéciales pour cet outil électrique

⚠ AVERTISSEMENT : Pour éviter tout risque de blessure, les consignes de sécurité spéciales suivantes devront être respectées lors de l'utilisation de l'outil.

CHOSSES A FAIRE

TOUJOURS OBSERVER LES CONSIGNES SUIVANTES POUR GARANTIR UNE UTILISATION EN TOUTE SÉCURITÉ :

1. Bien lire le manuel et se familiariser avec les consignes de sécurité et les instructions d'utilisation de l'OUTIL ELECTRIQUE avant de l'utiliser.
2. Toujours vérifier que l'OUTIL ELECTRIQUE est propre avant de l'utiliser.
3. Toujours porter des vêtements bien ajustés et des chaussures anti-dérapantes (de préférence avec des doigte de pied en acier) et des lunettes de protection lorsqu'on utilise l'OUTIL ELECTRIQUE.
4. Toujours manier l'OUTIL ELECTRIQUE avec soin. Si l'OUTIL ELECTRIQUE tombe ou qu'il heurte un objet dur, il risque de se déformer, de se fendiller ou autre dommage.
5. Toujours cesser immédiatement d'utiliser la scie si l'on remarque quelque chose d'anormal.
6. Toujours vérifier que les pièces sont toutes correctement montées et fixées avant d'utiliser l'outil.
7. Pour le remplacement de la lame, toujours vérifier que le régime nominal de la nouvelle lame convient pour l'outil.
8. Toujours mettre l'outil hors tension et attendre que la lame ait complètement cessé de tourner avant tout remplacement ou tout réglage.
9. Toujours visser ou fixer la pièce sur la garde, pour qu'elle ne risque pas d'être éjectée de la table et de provoquer des blessures.
10. Pendant une coupe d'onglet ou de biseau, toujours attendre que la lame ait complètement cessé de tourner avant de la relever.
11. Toujours faire un essai avant d'utiliser la scie pour un nouvel usage.
12. Toujours manipuler la scie avec soin lorsqu'on la démonte ou qu'on la monte.
13. Toujours vérifier qu'il n'y a ni clou ni aucun autre corps étranger dans la pièce avant de commencer une coupe.
14. Toujours éloigner les mains du trajet de lame.
15. Toujours vérifier que la protection inférieure est en place avant d'utiliser la scie.
16. Inspecter périodiquement les cordons d'alimentation.
17. Le cas échéant, toujours vérifier que l'on utilise des cordons et des rallonges du type et de la longueur voulus avant de mettre l'outil en marche.
18. Toujours vérifier que les événements d'aération du moteur sont complètement dégagés avant d'utiliser l'outil.
19. Toujours attendre que le moteur ait atteint sa vitesse de régime avant d'entamer une coupe.
20. Toujours maintenir les poignées sèches, propres et sans huile ni graisse. Tenir l'outil fermement pendant le travail.
21. Toujours utiliser des supports extérieurs pour soutenir les pièces longues qui dépassent de la table de la scie à onglets.
22. Toujours commencer par s'assurer que la pièce est correctement fixée dans un étau.
23. Le mode d'emploi fourni avec l'outil explique à l'utilisateur comment fixer l'outil sur la structure de support si, pendant un fonctionnement normal, l'outil a tendance à se renverser, à glisser, ou à se déplacer sur la surface de support.

CHOSSES A NE PAS FAIRE

POUR GARANTIR UNE UTILISATION EN TOUTE SÉCURITÉ, NE JAMAIS VIOLER LES CONSIGNES SUIVANTES :

1. Ne jamais utiliser l'OUTIL ELECTRIQUE si l'on ne comprend pas bien les instructions de ce manuel.
2. Ne jamais s'éloigner de l'OUTIL ELECTRIQUE sans débrancher auparavant son cordon d'alimentation.
3. Ne jamais utiliser l'OUTIL ELECTRIQUE quand on est fatigué, après avoir pris des médicaments ou consommé des boissons alcoolisées.
4. Ne jamais utiliser l'OUTIL ELECTRIQUE pour des applications non spécifiées dans ce mode d'emploi.
5. Ne jamais faire fonctionner l'outil si l'on porte des vêtements lâches, une cravate ou des bijoux, ou sans se couvrir les cheveux, pour éviter qu'ils ne se prennent dans les pièces mobiles.
6. Ne jamais approcher les mains de la lame.
7. Ne jamais toucher les pièces en mouvement, y compris la lame, pendant le fonctionnement de la scie.
8. Ne jamais retirer les dispositifs de sécurité ni les protections de lame; l'utilisation de l'outil serait dangereuse sans ces pièces.
9. Ne jamais verrouiller la protection inférieure ; toujours s'assurer qu'elle glisse en douceur avant d'utiliser l'outil.
10. Ne jamais endommager le cordon d'alimentation de l'outil.
11. Quand l'OUTIL ELECTRIQUE est branché, ne jamais tenter de le déplacer avec le doigt sur l'interrupteur de marche.
12. Ne jamais utiliser l'OUTIL ELECTRIQUE si l'interrupteur de marche ne fonctionne pas correctement.
13. Ne jamais utiliser l'OUTIL ELECTRIQUE si le logement en plastique ou la poignée sont déformés ou fendillés.
14. Ne jamais utiliser l'OUTIL ELECTRIQUE à proximité d'un liquide ou d'un gaz inflammable, car les étincelles pourraient provoquer une explosion.
15. Ne jamais nettoyer les composants en plastique avec des solvants car cela risquerait de dissoudre le plastique.
16. Ne jamais faire fonctionner la scie si les protections inférieures ne sont pas toutes en place.
17. Ne jamais relever la lame de la pièce tant que la lame n'est pas complètement arrêtée.
18. Lors d'une coupe avec chariot, ne jamais tirer la poignée vers l'opérateur car cela pourrait provoquer un retour de lame. Toujours repousser la poignée loin de l'opérateur d'un mouvement régulier et ininterrompu.
19. Ne jamais amener les membres à l'intérieur de la ligne à côté du signe d'avertissement " ⚠ " quand l'outil fonctionne. Cela pourrait être dangereux.
20. Ne jamais utiliser de lames de type abrasif avec cette scie.
21. Ne jamais exposer à la pluie ni utiliser dans un endroit humide.
22. Ne jamais couper de métaux ferreux ni de maçonnerie.

AVERTISSEMENT

POUR VOTRE PROPRE SÉCURITÉ, LISEZ ATTENTIVEMENT CE MODE D'EMPLOI AVANT D'UTILISER LA SCIE À ONGLETS

1. Toujours porter des lunettes de protection lorsqu'on utilise la scie à onglets.
2. Toujours éloigner les mains du trajet de lame.
3. Ne jamais faire fonctionner la scie si les protections ne sont pas en place.
4. Ne jamais effectuer d'opération à la volée avec la scie à onglets.
5. Ne jamais s'approcher de la lame.
6. Toujours mettre la scie hors tension et attendre que la lame ait complètement cessé de tourner avant de déplacer la pièce ou de modifier les réglages.
7. Toujours débrancher l'alimentation avant de remplacer la lame ou d'entretenir l'outil.
8. Le diamètre de la lame est de 10" (255mm).
9. La vitesse à vide est de 5000/min.
10. Pour réduire tout risque de blessure, ramener le chariot complètement vers l'arrière après chaque opération de coupe.

PIECES DE RECHANGE

Pour les réparations, utiliser exclusivement des pièces de rechange identiques.
Les réparations devront être effectuées exclusivement par un centre de service après-vente Hitachi agréé.

UTILISER LE CORDON DE RALLONGE APPROPRIÉ

Utiliser exclusivement un cordon de rallonge en bon état. Lorsqu'on utilise un cordon de rallonge, veiller à ce qu'il soit suffisamment lourd pour supporter le courant dont l'appareil aura besoin. Un cordon trop petit provoquera une chute de la tension de ligne, ce qui entraînera une perte de puissance et une surchauffe. Le tableau indique le calibre à utiliser en fonction de la longueur du cordon et de l'intensité nominale indiquée sur la plaque signalétique. En cas de doute, utiliser un calibre supérieur. Plus le numéro du calibre est petit, plus le cordon est lourd.

		CALIBRE MINIMUM DES CORDONS			
		Longueur Totale de Cordon en Pieds (Mètres)			
		0 – 25 (0 – 7,6)	26 – 50 (7,9 – 15,2)	51 – 100 (15,5 – 30,5)	101 – 150 (30,8 – 45,7)
Intensité nominale		CALIBRE			
Supérieure à	Non supérieure à				
0 – 6		18	16	16	14
6 – 10		18	16	14	12
10 – 12		16	16	14	12
12 – 16		14	12	Non recommandé	

⚠ AVERTISSEMENT : Eviter tout risque de choc électrique. Ne jamais utiliser l'outil avec un cordon électrique ou un cordon de rallonge endommagé ou dénudé.
Inspecter régulièrement les cordons électriques. Ne jamais utiliser dans l'eau ou à proximité d'eau, ni dans un environnement susceptible de provoquer un choc électrique.

DOUBLE ISOLATION POUR UN FONCTIONNEMENT PLUS SUR

Pour assurer un fonctionnement plus sûr de cet outil électrique, HITACHI a adopté une conception à double isolation. "Double isolation" signifie que deux systèmes d'isolation physiquement séparés ont été utilisés pour isoler les matériaux conducteurs d'électricité connectés à l'outil électrique à partir du cadre extérieur manipulé par l'utilisateur. C'est pourquoi, le symbole "Ⓜ" ou les mots "Double insulation" (double isolation) apparaissent sur l'outil électrique ou sur la plaque signalétique.

Bien que ce système n'ait pas de mise à la terre extérieure, il est quand même nécessaire de suivre les précautions de sécurité électrique données dans ce mode d'emploi, y compris de ne pas utiliser l'outil électrique dans un environnement humide.

Pour garder le système de double isolation effectif, suivre ces précautions :

- * Seuls les CENTRES DE SERVICE AUTORISES HITACHI peuvent démonter et remonter cet outil électrique et uniquement des pièces de rechange HITACHI garanties d'origine doivent être utilisées.
- * Nettoyer l'extérieur de l'outil électrique uniquement avec un chiffon doux légèrement imbibé d'une solution savonneuse et essuyer minutieusement.
- * Ne jamais utiliser de solvants, d'essence ou de diluants sur les parties en plastique; sinon le plastique risquerait de se dissoudre.

**CONSERVER
CES INSTRUCTIONS
ET
LES METTRE A LA DISPOSITION
DES AUTRES UTILISATEURS
ET
PROPRIETAIRES DE CET OUTIL !**

UTILISATION ET ENTRETIEN

REMARQUE : Les informations contenues dans ce manuel sont destinées à vous aider à utiliser et à entretenir l'outil électrique en toute sécurité. Certaines illustrations de ce manuel peuvent montrer des détails ou des fixations qui diffèrent de ceux de votre outil électrique. Par ailleurs, dans certaines illustrations, les protections et les caches ont été intentionnellement supprimés à des fins d'illustration.

NOM DES PIÈCES

MODÈL C10FCH/MODÈL C10FCE

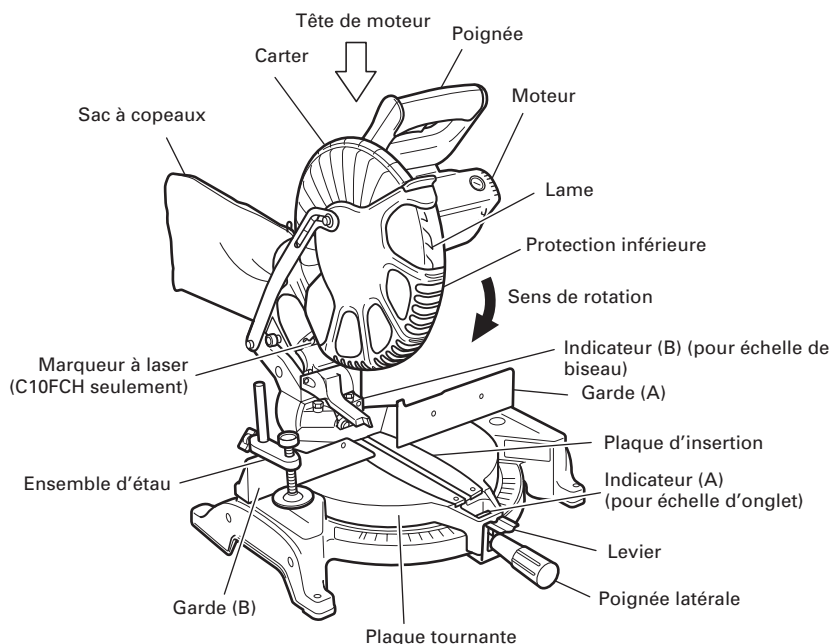


Fig. 1

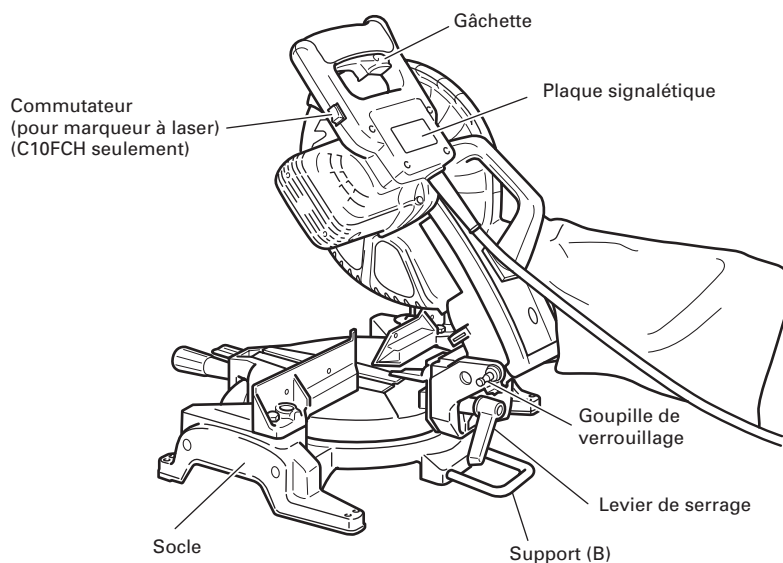


Fig. 2

SPÉCIFICATIONS

Article	Modèle	C 10FCH / C 10FCE		
Moteur	Type	Moteur à commutateur série		
	Alimentation	Courant alternatif monophasé 60 Hz		
	Tension (volts)	120		
	Courant à pleine charge (Amp)	15		
Marqueur laser (Uniquement sur le modèle C10FCH)	Puissance de sortie maximum	<1mW, appareil laser de la Classe II		
	Longueur d'onde	400 - 700 nm		
	Type de laser	Diode		
Lame applicable	Dia. extérieur 10" (255mm) Dia. d'orifice 5/8" (15,9mm)			
Vitesse à vide	5000 tr/min			
Dimension de coupe max.	Coupe d'onglet	Tête	Plaque tournante	Dimension de coupe max.
		0	0	Hauteur max. 2-5/16" (59mm) Largeur max. 5-21/32" (144mm) ou Hauteur max. 3-1/2" (89mm) Largeur max. 3-31/32" (101mm)
	Coupe de biseau	0	45° à gauche	Hauteur max. 2-5/16" (59mm) Largeur max. 4" (102mm)
		45° à gauche	0	Hauteur max. 1-3/4" (41mm) Largeur max. 5-21/32" (144mm)
	Coupe mixte	45° à gauche	45° à gauche	Hauteur max. 1-3/4" (41mm) Largeur max. 4" (102mm)
	Plage de coupe d'onglet	0° – 52° à gauche 0° – 52° à droite		
Plage de coupe de biseau	0° – 45° à gauche			
Plage de coupe mixte	0° – 45° à gauche (biseau), 0° – 45° à gauche et à droite (onglet)			
Poids net	27,6 lbs. (12,5 kg)			
Cordon	Câble à 2 conducteurs de 6ft. (1,8m)			

APPLICATIONS

Cadres en bois et en aluminium.

PRÉPARATION AVANT L'UTILISATION

Avant de mettre l'outil électrique en service, effectuer les préparations suivantes :

1. Installation

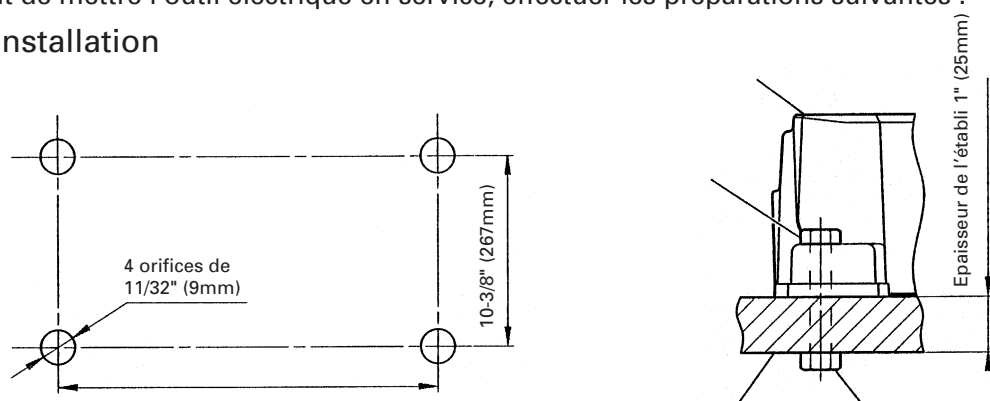


Fig. 4

Fixer l'outil électrique sur un établi horizontal et de niveau conformément à la Fig. 4.

Sélectionner des boulons d'un diamètre 5/16" (8mm) dont la longueur convient pour l'épaisseur de l'établi.

La longueur des boulons devra être d'au moins 1-3/8" (35mm) plus l'épaisseur de l'établi.

Par exemple, utiliser des boulons de 2-11/32" (60mm) ou plus avec un établi de 1" (25mm) d'épaisseur. Le support (B) fixé à l'arrière du socle aide à stabiliser l'outil électrique.

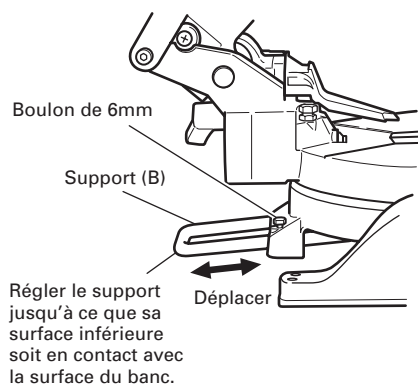


Fig. 5

Réglage du support (B)

Desserrer le boulon de 6mm à l'aide de la clé à douille de 10mm fournie.

Régler le support (B) jusqu'à ce que sa surface inférieure soit en contact avec la surface du banc.

Après le réglage, visser le boulon de 6mm à fond.

⚠ ATTENTION : Fixez l'outil électrique à un établi avec des boulons (6 mm), et si la plaque tournante a pivoté de 45 degrés ou plus, faire attention à ce que la main qui tient la poignée latérale de l'outil ne soit pas prise entre la poignée latérale et les têtes de boulon (6 mm). Cela pourrait provoquer des blessures.

2. Libérer la goupille de verrouillage

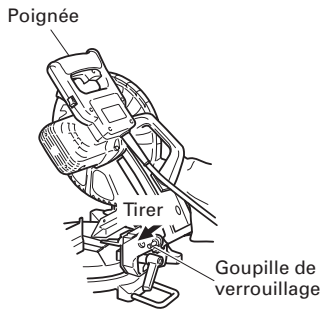


Fig. 6

Quand l'outil électrique quitte nos usines, ses pièces principales sont fixées à l'aide d'une goupille de verrouillage. Déplacer légèrement la poignée de façon à dégager la goupille de verrouillage.

REMARQUE : La goupille de verrouillage se dégagera plus facilement et plus sûrement si l'on abaisse légèrement la poignée.

La position verrouillée de la goupille de verrouillage ne doit servir que pour le transport et le remisage.

3. Installer le sac à copeaux, le support, la butée et les étaux

(Le support et la butée sont des accessoires en option.)

Fixer le sac à copeaux et l'ensemble d'étau comme indiqué sur la Fig. 1 et Fig. 2.

AVANT L'UTILISATION

1. S'assurer que la source d'alimentation convient pour l'outil.

⚠ AVERTISSEMENT : Ne jamais raccorder l'outil électrique si l'alimentation secteur n'est pas de la tension spécifiée sur la plaque signalétique de l'outil.
Ne jamais raccorder l'outil à une source de courant continu.

2. Vérifier que la gâchette est sur OFF.

⚠ AVERTISSEMENT : Si l'on raccorde le cordon d'alimentation alors que la gâchette est enclenchée, l'outil se mettra brusquement en marche, ce qui peut provoquer un grave accident.

3. Vérifier s'il y a des défauts visibles sur la lame.

S'assurer qu'il n'y a ni fissures ni dommages visibles sur la lame.

4. Vérifier que la lame est solidement fixée sur l'outil électrique.

A l'aide de la clé à douille de 10mm, serrer le boulon de l'axe de la lame pour fixer la lame.

Pour les détails, voir Fig. 33-a, Fig. 33-b, Fig. 33-c et Fig. 33-d dans la section "INSTALLATION ET RETRAIT DE LA LAME".

5. Vérifier que la protection inférieure fonctionne correctement.

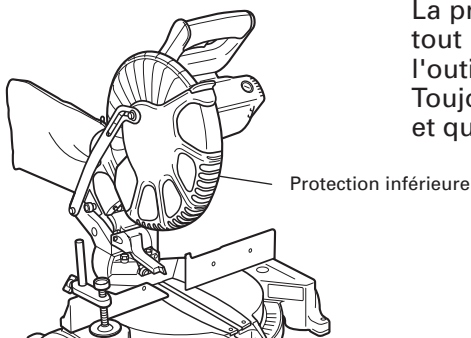


Fig. 7

La protection inférieure a pour but de protéger l'opérateur contre tout contact avec la lame de scie pendant le fonctionnement de l'outil.

Toujours vérifier que la protection inférieure se déplace en douceur et qu'elle recouvre la lame de scie.

⚠ AVERTISSEMENT : NE JAMAIS FAIRE FONCTIONNER L'OUTIL ÉLECTRIQUE si le carter de sécurité ne se déplace pas en souplesse.

6. Vérifier la position du verrou d'axe avant d'utiliser l'outil.

Avant d'installer la lame, vérifier que le verrou d'axe est revenu sur sa position rentrée avant d'utiliser l'outil électrique (voir Fig. 33-b).

7. Vérifier la prise d'alimentation.

Pour éviter toute surchauffe, arrêt accidentel ou fonctionnement intermittent, vérifier que la fiche du cordon d'alimentation rentre à fond dans la prise secteur et qu'elle ne ressort pas après l'insertion. Réparer ou remplacer la fiche si elle est défectueuse.

8. Vérifier que le cordon d'alimentation de l'outil n'est pas endommagé.

Réparer ou remplacer le cordon si l'on constate un dommage.

APRÈS AVOIR BRANCHÉ LA FICHE D'ALIMENTATION DANS UNE SOURCE D'ALIMENTATION APPROPRIÉE, VÉRIFIER LE FONCTIONNEMENT DE L'OUTIL COMME SUIV :

9. Marche d'essai

Après avoir vérifié qu'il n'y a personne derrière, mettre l'outil électrique en marche et vérifier qu'il n'y a pas d'anomalie de fonctionnement avant d'effectuer une coupe.

10. Vérifier la stabilité de rotation de la lame.

Pour assurer des coupes précises, faire tourner la lame et vérifier qu'il n'y a pas de flèche pour s'assurer que la lame ne présente pas d'instabilité évidente ; sinon, cela risque de provoquer des vibrations et un accident.

AVANT LA COUPE

1. Angle oblique

Quand l'outil quitte nos usines, il est réglé pour 0°, un angle de coupe de biseau de 45° à gauche avec le boulon de 8mm (A) et le boulon de 8mm (B).

Pour modifier le réglage, changer la hauteur du boulon de 8mm (A) et du boulon de 8mm (B) en les tournant. (Fig. 8-a , Fig. 8-b)

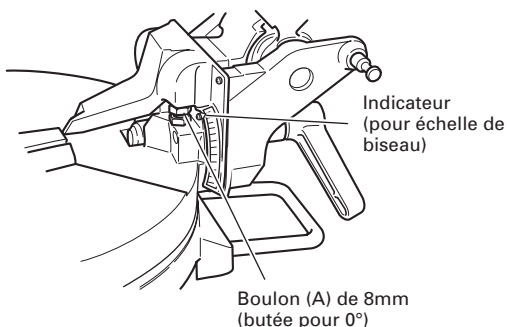


Fig. 8-a

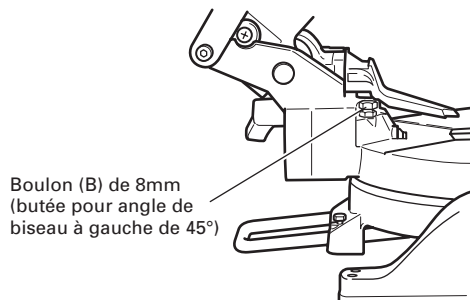


Fig. 8-b

2. Fixation de la pièce

⚠ AVERTISSEMENT : Toujours utiliser un dispositif de fixation ou l'étau pour fixer la pièce à la garde ; sinon, la pièce risque d'être éjectée de la table et de blesser quelqu'un.

3. Installation des supports ... (Accessoires en option)

Les supports permettent de fixer et de stabiliser les pièces longues pendant la coupe.

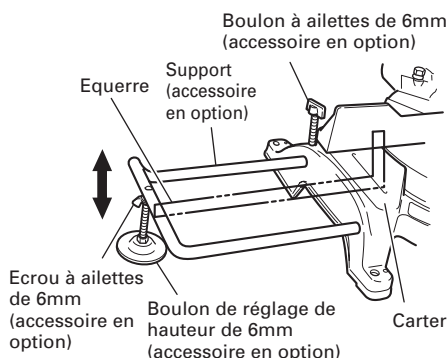


Fig. 9

(1) Comme indiqué à la Fig. 9, utiliser une équerre en acier pour aligner le bord supérieur des supports sur la surface du socle. Desserrer l'écrou à ailettes de 6mm. Tourner un boulon de réglage de hauteur de 6mm, et régler la hauteur du support.

(2) Après le réglage, serrer à fond l'écrou à ailettes et fixer le support avec le boulon à ailettes de 6mm (accessoire en option). Si la longueur du boulon de réglage de la hauteur de 6mm est insuffisante, insérer une plaque mince dessous. S'assurer que l'extrémité du boulon de réglage de la hauteur de 6mm ne dépasse pas du support.

4. Butée pour la précision de coupe ... (La butée et le support sont des un accessoires en option.)

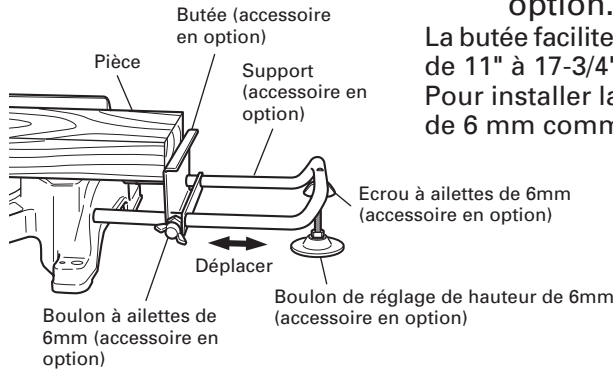


Fig. 10

La butée facilite la précision des coupes continues sur des longueurs de 11" à 17-3/4" (280 à 450mm).

Pour installer la butée, la fixer au support avec le boulon à ailettes de 6 mm comme indiqué sur la Fig. 10.

5. Vérification de l'utilisation de la garde secondaire ... (Accessoire en option)

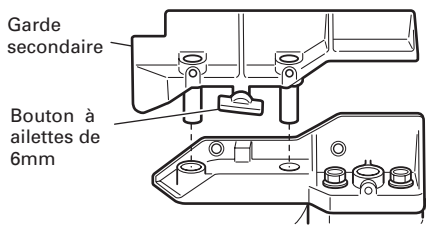


Fig. 11

⚠ AVERTISSEMENT : Dans le cas d'une coupe oblique à gauche, retirer le guide secondaire. Si elle n'est pas déposée, elle peut entrer en contact avec la lame ou une autre partie de l'outil, ce qui peut provoquer des blessures graves à l'utilisateur.

Dans le cas d'une coupe droite ou d'une coupe en biseau, utiliser la garde secondaire. Le guide secondaire se monte sur le côté gauche de la garde de guidage. Introduire les tiges de la garde secondaire dans les perçages de la garde de guidage. Serrer le bouton à ailettes de 6mm livré avec le guide secondaire pour fixer le guide secondaire. Dans ces conditions, il est possible d'effectuer une coupe stable du matériau avec une face arrière large.

6. Réglage de la position de la ligne laser (Uniquement pour le modèle C10FCH)

⚠ AVERTISSEMENT : * Avant de brancher la fiche du cordon d'alimentation sur une prise secteur, s'assurer que l'outil est le marqueur à laser sont hors service.

* Exercer la plus grande attention dans la manoeuvre du commutateur de positionnement de la ligne laser quand la fiche du cordon d'alimentation est branchée sur une prise secteur pour le fonctionnement. Si le commutateur est actionné par inadvertance, la lame de scie peut entrer en rotation et il peut en résulter des accidents.

* Ne pas démonter le marqueur à laser et s'en servir pour autre chose.

⚠ ATTENTION :

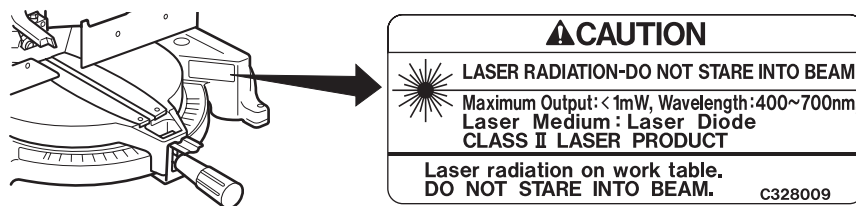


Fig. 12

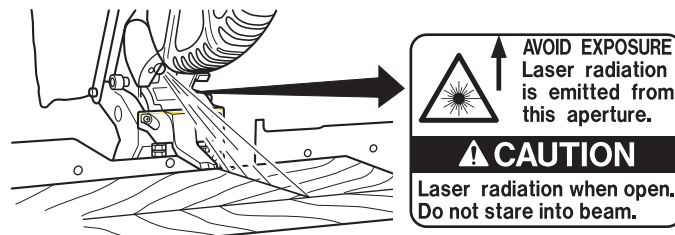


Fig. 13

- * Rayonnement laser -- Ne pas regarder le faisceau.
- * Rayonnement laser sur la table de travail. Ne pas regarder le faisceau. L'exposition au faisceau laser peut gravement endommager la vue.
- * Ne pas démonter.

- * Ne pas heurter le marqueur laser (corps principal de l'outil); en effet, cela peut dérégler la position de la ligne laser provoquant un endommagement du marqueur laser et une diminution de la durée de service.
- * Ne conserver le laser allumé que pendant l'opération de coupe. L'allumage prolongé du laser peut entraîner une diminution de la durée de service.
- * L'utilisation de commandes ou de réglages ou l'exécution de procédures autres que ceux spécifiés dans cette brochure risquent d'entraîner une exposition à un rayonnement dangereux.

- REMARQUES :**
- * Effectuer la coupe en faisant chevaucher le ligne tracée à l'encre et la ligne laser.
 - * Si la ligne tracée à l'encre et la ligne laser se chevauchent, la puissance et la faiblesse de la lumière sont modifiées, ce qui permet une coupe stable car on peut alors discerner la superposition des lignes. Cela garantit les plus petites erreurs de coupe.
 - * En extérieur ou près d'une fenêtre, il peut être difficile d'observer la ligne laser du fait de la lumière du soleil. Dans ces conditions, se placer dans un endroit qui n'est pas exposé à la lumière directe du soleil et procéder à la coupe.
 - * Ne pas faire passer le cordon d'alimentation derrière la tête du moteur, ne pas l'entourer autour d'un doigt, d'un morceau de bois et ainsi de suite; en effet, la fiche du cordon d'alimentation peut se débrancher et le marqueur laser ne pas s'allumer.

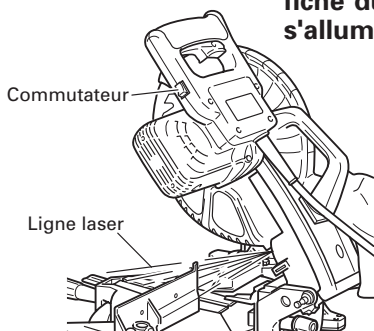


Fig. 14

Le tracé à l'encre peut aisément être réalisé sur cet outil grâce au marqueur laser. Un commutateur est prévu pour allumer le marqueur laser. (Fig. 14)

Selon le choix de la coupe, la ligne laser peut être alignée avec le côté gauche de la coupe (lame de scie) ou le côté droit de la coupe. La ligne laser est régler sur la largeur de la lame au moment de quitter l'usine. Régler la position de la lame de scie et de la ligne laser en procédant comme il est dit ci-dessous pour répondre au choix désiré.

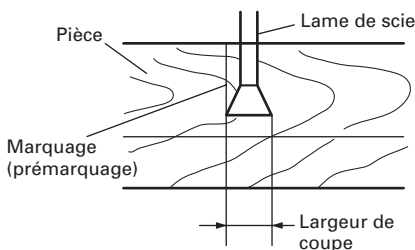


Fig. 15

- (1) Allumer le marqueur laser et marquer une rainure de 3/16" (5mm) environ de profondeur sur la pièce qui a une hauteur de 1-1/2" (38mm) et une largeur de 3-1/2" (89mm). Maintenir la pièce rainurée dans un étau telle qu'elle est et ne pas la déplacer.

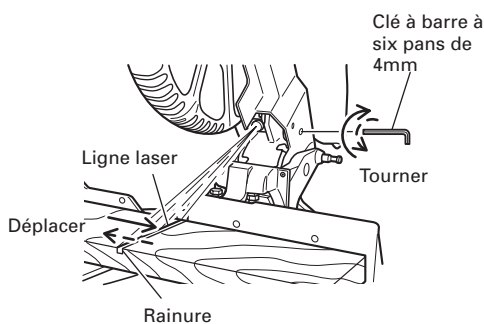


Fig. 16

- (2) Ensuite, insérer une clé à barre hexagonale de 4mm dans l'orifice de diamètre 12 sur le côté du carter d'engrenage, et tourner la vis boulonnée à douille hexagonale pour déplacer le trait laser. (Si l'on tourne la vis à tête creuse à six pans dans le sens des aiguilles d'une montre, le trait laser se déplace vers la droite, et si l'on tourne la vis dans le sens inverse, le trait laser se déplace vers la gauche.) Si on travaille avec la ligne tracée à l'encre sur le côté gauche de la lame de scie, il faut aligner la ligne laser avec le côté gauche de la rainure. (Fig. 16) Si on travaille avec la ligne tracée à l'encre sur le côté droit de la lame de scie, il faut aligner la ligne laser avec le côté gauche de la rainure.

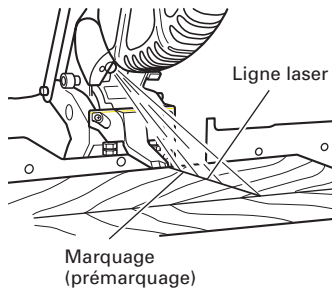


Fig. 17

(3) Après avoir réglé la position de la ligne laser, tracer à l'encre une ligne à angle droit sur la pièce et aligner la ligne tracée à l'encre et la ligne laser. Pour aligner la ligne tracée à l'encre, faire glisser la pièce petit à petit et la maintenir dans un étau à l'endroit où la ligne laser chevauche la ligne tracée à l'encre. Effectuer un autre rainurage et vérifier la position de la ligne laser. Pour changer la position de la ligne laser, effectuer à nouveau les réglages prévus aux opérations (1) à (3).

REMARQUE : Vérifier et s'assurer périodiquement que la position de la ligne laser est convenable. Pour effectuer la vérification, tracer à l'encre une ligne perpendiculaire sur la pièce de 1-1/2" (38mm) de hauteur et de 3-1/2" (89mm) de largeur et s'assurer que que la ligne laser est alignée sur la ligne tracée à l'encre. [L'écart entre la ligne tracée à l'encre et la ligne laser doit être inférieure à l'épaisseur de la ligne tracée à l'encre (0,5mm)]. (Fig. 17)

APPLICATIONS PRATIQUES

⚠ AVERTISSEMENT : * Pour éviter tout risque de blessure, ne jamais retirer ni installer la pièce sur la table pendant que l'outil fonctionne.
* Ne jamais amener les membres à l'intérieur de la ligne à côté du signe d'avertissement pendant que l'outil fonctionne. Cela pourrait être dangereux (voir Fig. 18).

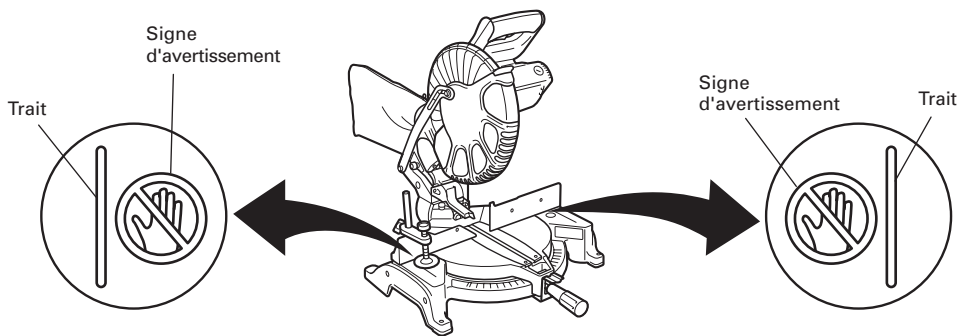


Fig. 18

1. Fonctionnement de l'interrupteur

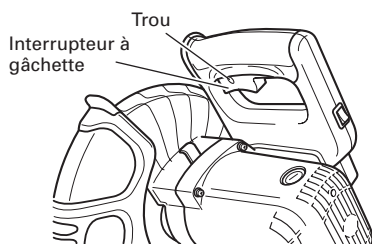


Fig. 19

Tirer sur la gâchette pour activer l'interrupteur, et la relâcher pour couper l'interrupteur. Après avoir relâché la gâchette, vérifier qu'elle est bien revenue complètement en arrière et que l'interrupteur est éteint.

⚠ AVERTISSEMENT : Ceci empêchera toute mise en marche accidentelle de l'outil électrique ou toute utilisation par une personne non qualifiée (en particulier les enfants). Pour éviter tout fonctionnement non autorisé de l'outil, mettre un cadenas dans l'orifice de l'interrupteur à gâchette.

2. Utilisation de l'ensemble d'étau (Accessoire standard)

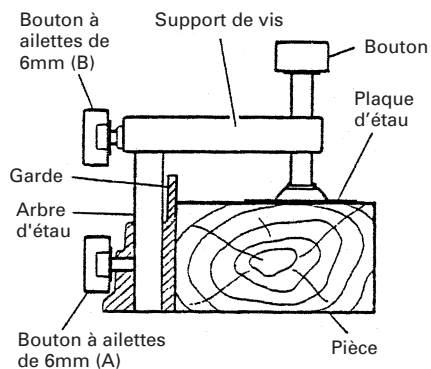


Fig. 20

- (1) L'ensemble d'étau se monte soit sur la garde gauche (garde (B)), soit sur la garde droite (garde (A)), en desserrant le boulon à ailettes de 6mm.
- (2) Le support de vis se relève ou s'abaisse en fonction de la hauteur de la pièce en desserrant le boulon à ailettes de 6mm (B). Après le réglage, resserrer fermement le boulon à ailettes de 6mm (B) et fixer le support de vis.
- (3) Tourner le bouton supérieur et fixer solidement la pièce en place (Fig. 20).

⚠ AVERTISSEMENT : Toujours utiliser un dispositif de fixation ou l'étau pour fixer solidement la pièce à la garde ; sinon, la pièce risque d'être éjectée de la table et de blesser quelqu'un.

⚠ ATTENTION : Toujours vérifier que la tête du moteur (voir Fig. 1) n'entre pas en contact avec l'ensemble d'étau quand on l'abaisse pour la coupe. Si ce risque existe, desserrer légèrement le bouton à ailettes de 6 mm et déplacer l'ensemble d'étau jusqu'à un point où il n'entrera pas en contact avec la lame.

3. Coupe

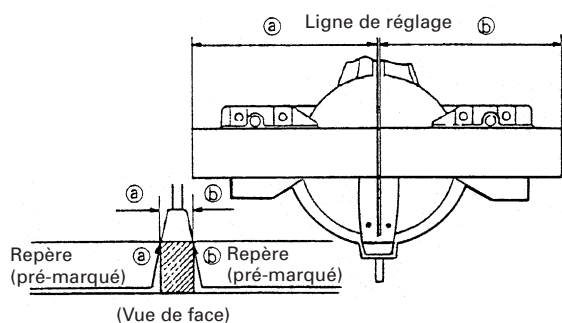


Fig. 21

- (1) Comme indiqué à la Fig. 21, la largeur de la lame est la largeur de coupe. En conséquence, glisser la pièce vers la droite (vue de la position de l'opérateur) pour obtenir la longueur **b**, et sur la gauche pour obtenir la longueur **a**.

(Uniquement pour le modèle C10FCH)

Si le marqueur laser est utilisé, aligner la ligne laser sur le côté gauche de la lame de scie, puis aligner la ligne tracée à l'encre sur la ligne laser.

- (2) Quand la lame a atteint sa vitesse maximale, abaisser doucement la poignée jusqu'à ce que la lame approche de la pièce.
- (3) Quand la lame touche la pièce, appuyer progressivement sur la poignée pour couper la pièce.
- (4) Quand la pièce est coupée à la longueur voulue, mettre l'outil électrique hors tension et attendre que la lame soit complètement arrêtée avant de relever la poignée en position complètement rentrée.

⚠ AVERTISSEMENT : * Vérifier que l'interrupteur à gâchette est coupé (OFF) et que la fiche d'alimentation est débranchée de la prise secteur quand on ne se sert pas de l'outil.

* Lorsqu'on coupe la pièce, éviter de couper un tronçon plus mince que l'écart entre le bord de coupe et la lame de scie. Sinon, le tronçon coupé risque de pénétrer entre le bord de coupe et la lame de scie et de s'éparpiller, provoquant des blessures.

⚠ ATTENTION : * Une pression accrue sur la poignée n'augmentera pas la vitesse de coupe. Au contraire, une pression excessive risque de surcharger le moteur et/ou de réduire le rendement.

* Si l'on appuie sur la poignée avec une force excessive ou avec une force latérale, la lame de scie risque de vibrer pendant l'opération de coupe et de laisser des marques de coupe sur la pièce, ce qui réduira la qualité de la coupe. En conséquence, appuyer doucement et délicatement sur la poignée.

4. Procédure de coupe d'onglet

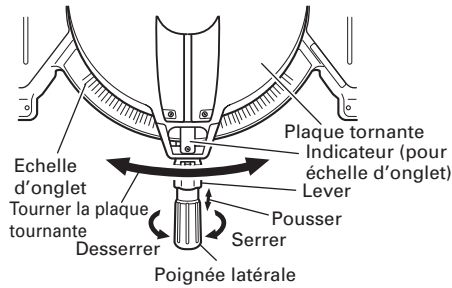


Fig. 22

(1) Desserrer la poignée latérale et appuyer sur le levier pour les butées d'angle. Cela fait, régler la plaque tournante jusqu'à ce que l'indicateur soit aligné avec le réglage désiré sur l'échelle de coupe d'onglet (Fig. 22).

(2) Resserrer la poignée latérale pour fixer la plaque tournante à la position voulue.

REMARQUE : * Des crans positifs sont prévus à droite et à gauche du réglage central de 0°, à 15°, 22,5°, 31,6° et 45°.

Vérifier que l'échelle d'onglet et l'extrémité de l'indicateur sont alignés correctement.

* Le fonctionnement de la scie avec l'échelle d'onglet et l'indicateur non alignés, ou avec la poignée latérale insuffisamment serrée, donnera une mauvaise précision.

⚠ ATTENTION : Ne jamais retirer la poignée latérale d'onglet; il serait dangereux d'utiliser l'outil sans elle.

Pour éviter tout risque d'accident ou de blessure, toujours serrer la poignée de coupe d'onglet à fond.

5. Procédure de coupe de biseau

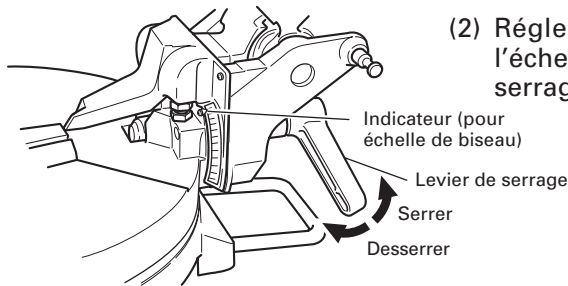


Fig. 23

(1) Desserrer le levier de serrage et incliner la lame vers la gauche.

(2) Régler l'angle de biseau à l'angle voulu tout en regardant l'échelle d'angle de biseau et l'indicateur, puis fixer le levier de serrage.

⚠ AVERTISSEMENT : Quand on fixe la pièce sur le côté gauche ou droit de la lame, la section tronçonnée courte vient reposer sur le côté droit ou gauche de la lame. Toujours couper l'alimentation et attendre que la lame se soit complètement arrêtée avant de relever la poignée de la pièce.

Si on relève la poignée alors que la lame tourne toujours, la section tronçonnée se coincera contre la lame et des fragments s'éparpilleront, ce qui serait dangereux.

Si l'on interrompt la coupe de biseau à mi-chemin, recommencer la coupe après avoir ramené la tête du moteur à sa position d'origine.

Si l'on commence à mi-chemin sans avoir ramené la tête, le carter de sécurité se coincera dans l'encoche de coupe de la pièce et il touchera la lame.

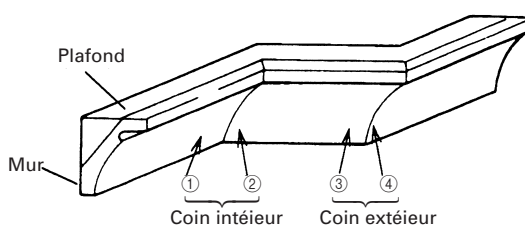
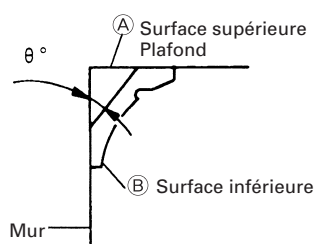
6. Procédures de coupe mixte

La coupe mixte s'effectue en suivant les instructions de 4 et 5 ci-dessus. Pour les dimensions maximales de la coupe mixte, voir le tableau des "SPÉCIFICATIONS" à la page 31.

⚠ ATTENTION : Pour une coupe mixte, toujours fixer la pièce sur le côté droit. Ne jamais faire tourner la table vers la droite pour une coupe mixte car la lame de scie pourrait entrer en contact avec le crampon ou l'étau qui fixe la pièce et provoquer des blessures physiques ou des dommages.

7. Procédures de coupe de corniche complexe

La Fig. 24 montre deux types de corniche complexe courants ayant des angles de 38° et de 45°. Pour les montures de corniche complexe, voir la Fig. 25.



Le tableau ci-dessous montre les réglages d'angle d'onglet et d'angle de biseau qui conviennent le mieux pour les deux types de corniche complexe.

REMARQUE : A des fins de commodité, des crans positifs sont prévus à la fois pour les positions de réglage d'onglet (31,6° à gauche et à droite).

Réglage d'une coupe d'onglet

Si la plaque tournante est réglée sur l'un des angles décrits, déplacer la poignée latérale de réglage de la plaque tournante légèrement vers la droite ou vers la gauche pour stabiliser la position et aligner correctement l'échelle d'onglet et l'extrémité de l'indicateur avant de commencer le travail.

Réglage d'une coupe de biseau

Déplacer la poignée de la section en biseau vers la gauche et s'assurer que la position est stable et que l'échelle d'angle de biseau et l'extrémité de l'indicateur sont soigneusement alignés. Cela fait, serrer le levier de verrouillage.

Type de corniche complexe	Pour découper une corniche complexe aux positions ① et ④ de la Fig. 36		Pour découper une corniche complexe aux positions ② et ③ de la Fig. 36	
	Réglage d'angle d'onglet	Réglage d'angle de biseau	Réglage d'angle d'onglet	Réglage d'angle de biseau
Type 45°	35,3° vers la droite (repère ↓)	30° vers la gauche (repère ↓)	35,3° vers la gauche (repère ↓)	30° vers la gauche (repère ↓)
Type 38°	31,6° vers la droite (repère ↓)	33,9° vers la gauche (repère ↓)	31,6° vers la gauche (repère ↓)	33,9° vers la gauche (repère ↓)

(1) Réglage de coupe en corniche complexe aux positions ① et ④ de la Fig. 25 (voir Fig. 26 ; incliner la tête vers la gauche) :

- ① Tourner la plaque tournante vers la droite et régler l'angle d'onglet comme suit :
 - * Pour des corniches complexes de type 45° : 35,3° (repère ↓)
 - * Pour des corniches complexes de type 38° : 31,6° (repère ↓)
- ② Incliner la tête vers la gauche et régler l'angle de biseau comme suit :
 - * Pour des corniches complexes de type 45° : 30° (repère ↓)
 - * Pour des corniches complexes de type 38° : 33,9° (repère ↓)
- ③ Disposer la corniche complexe de façon que la surface inférieure (A sur la Fig. 24) touche la garde comme indiqué à la Fig. 28.

(2) Réglage de coupe en corniche complexe aux positions ② et ③ de la Fig. 25 (voir Fig. 27 ; incliner la tête vers la gauche) :

- ① Tourner la plaque tournante vers la droite et régler l'angle d'onglet comme suit :
 - * Pour des corniches complexes de type 45° : 35,3° (repère ↓)
 - * Pour des corniches complexes de type 38° : 31,6° (repère ↓)
- ② Incliner la tête vers la gauche et régler l'angle de biseau comme suit :
 - * Pour des corniches complexes de type 45° : 30° (repère ↓)
 - * Pour des corniches complexes de type 38° : 33,9° (repère ↓)

- ③ Disposer la corniche complexe de façon que la surface supérieure (B sur la Fig. 24) touche la garde comme indiqué à la Fig. 29.

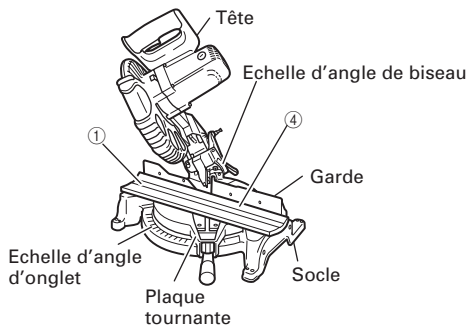


Fig. 26

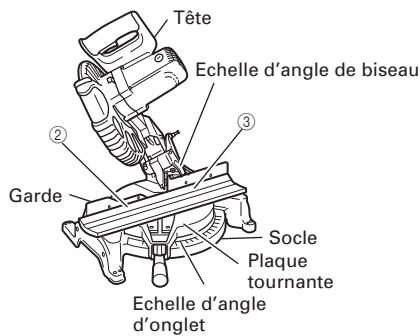


Fig. 27

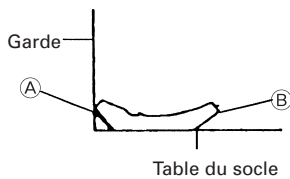


Fig. 28

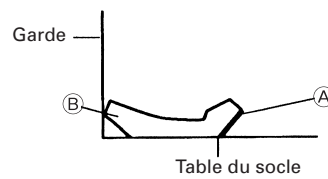


Fig. 29

Méthode de coupe des moulures de corniche sans inclinaison de la lame de scie

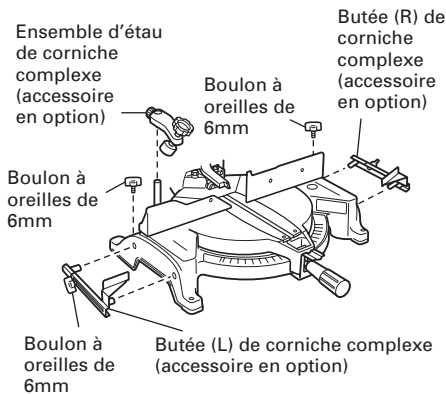


Fig. 30-a

- (1) Les butées (L) et (R) de corniche complexe permettent des coupes plus faciles de corniches complexes sans inclinaison de la lame de scie. Les installer sur la base, de chaque côté, comme le montre la Fig. 30-a. Après les avoir introduits, serrer les boutons de boulonnage de 6mm sur les butées de corniche complexe.

[Accessoires en option utilisés]

- Ensemble d'étau de corniche complexe (comprend la butée de corniche complexe (L))
- Butée de corniche complexe (L)
- Butée de corniche complexe (R)

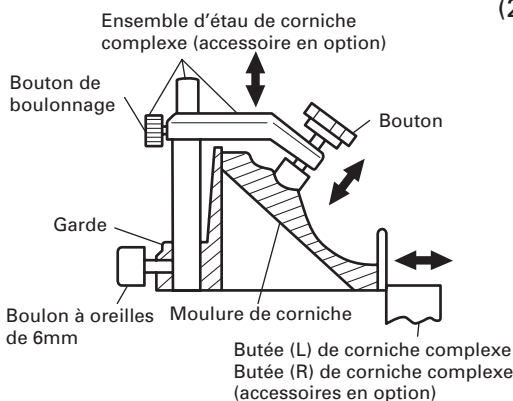


Fig. 30-b

- (2) L'étau (B) de corniche complexe (accessoire en option) peut être monté soit sur la garde gauche (Garde (B)), soit sur la garde droite (Garde (A)). Il peut s'adapter à l'inclinaison de la corniche complexe et peut être appuyé vers le bas.

Tourner le bouton supérieur, autant que nécessaire, pour fixer soigneusement la moulure de corniche en position. Pour lever ou abaisser l'ensemble d'étau, desserrer tout d'abord le boulon de 6mm.

Après réglage de la hauteur, serrer soigneusement le boulon à oreilles de 6mm puis tourner le bouton supérieur, autant que nécessaire, pour fixer soigneusement la moulure de corniche en position (se reporter à la Fig. 30-b).

⚠ AVERTISSEMENT : Maintenir ou serrer dans un étau la moulure de corniche contre la garde; dans le cas contraire, la moulure de corniche peut être projetée hors de la table et provoquer une blessure corporelle.

Ne pas faire de coupe en biseau. L'outil ou la lame de scie peuvent venir en contact avec la garde secondaire, ce qui peut provoquer une blessure.

⚠ ATTENTION : Toujours s'assurer que la tête du moteur (se reporter à la Fig. 1) ne vient pas en contact avec l'ensemble d'étau de corniche complexe quand il est abaissé pour la coupe. S'il y a un risque quelconque qu'il en soit ainsi, desserrer le bouton de boulonnage de 6mm et déplacer l'ensemble d'étau de corniche complexe de telle manière qu'il ne puisse pas y avoir de contact avec la lame de scie.

Positionner la corniche complexe de manière que le BORD DE CONTACT DE MUR soit contre la garde de guidage et que le BORD DE CONTACT DE PLAFOND soit contre les butées de corniche complexe, comme le montre la Fig. 30-b.

Régler les butées de corniche complexe en fonction de la taille de la corniche complexe.

Serrer le boulon à oreilles de 6mm pour maintenir les butées de corniche complexe.

8. Coupe de matériaux qui se déforment facilement, par exemple une feuille d'aluminium

Les matériaux comme l'aluminium en feuille se déforment facilement quand ils sont serrés trop fort dans un étau. Cela ne permettra pas une bonne coupe et risque de provoquer une surcharge du moteur. Pour couper ce genre de matériaux, utiliser une planche de bois pour protéger la pièce comme indiqué à la Fig. 31-a. Placer la planche de bois près de la section de coupe.

Pour couper de l'aluminium, enduire la lame d'une huile de coupe (non-combustible) pour obtenir une coupe régulière et un bon fini.

En outre, dans le cas d'une pièce en U, utiliser un morceau de bois comme le montre la Fig. 31-b pour réaliser la stabilité dans le sens latéral, le fixer près de la coupe de la pièce et le serrer en utilisant l'étau et un serre-joint disponible sur le marché.

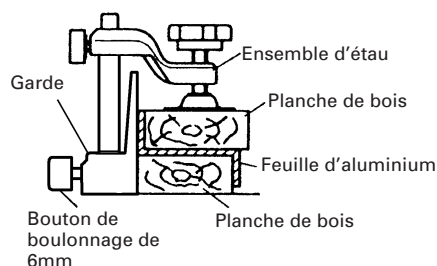


Fig. 31-a

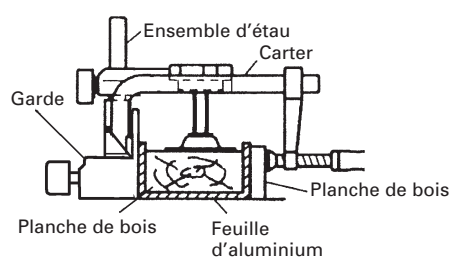


Fig. 31-b

9. Utilisation du sac à copeaux (Accessoire standard)

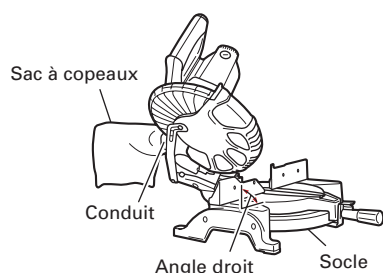


Fig. 32

(1) Si le sac à copeaux est plein, les copeaux sortent du sac quand la lame tourne. Vérifier le sac à copeaux périodiquement et le vider avant qu'il ne soit plein.

(2) Lors d'une coupe de biseau ou d'une coupe mixte, fixer le sac à copeaux à angle droit sur la surface du socle comme indiqué à la Fig. 32.

⚠ ATTENTION : Vider le sac à copeaux fréquemment pour éviter que le conduit et le carter de sécurité ne soient bouchés.

Les copeaux s'accumulent plus rapidement lors d'une coupe de biseau.

INSTALLATION ET RETRAIT DE LA LAME

⚠ AVERTISSEMENT : * Pour éviter tout risque d'accident ou de blessure, toujours couper l'interrupteur à gâchette et débrancher la fiche de la prise secteur avant de retirer ou d'installer la lame.

Si l'on effectue le travail de coupe alors que le boulon n'est pas suffisamment serré, le boulon risque de se défaire, la lame de se détacher, et la protection inférieure d'être endommagée, ce qui peut provoquer des blessures.

Par ailleurs, s'assurer que les boulons sont convenablement serrés avant de brancher la fiche du cordon d'alimentation sur une prise secteur.

* Si les boulons sont posés ou déposés en utilisant un outil autre que la clé à douille de 10mm (accessoire standard), le serrage peut être excessif ou insuffisant et cela peut provoquer une blessure.

1. Installation de la lame (Fig. 33-a, Fig. 33-b, Fig. 33-c et Fig. 33-d)

- (1) Tourner la protection inférieure (plastique) sur le dessus.
- (2) Utiliser le tournevis pour desserrer la vis de 4mm qui fixe le carter d'axe, puis retirer le carter d'axe.
- (3) Engager le verrou d'axe et desserrer le boulon de 10mm avec une clé à tube (accessoire standard). Le boulon ayant un filetage à gauche, le tourner vers la droite pour le desserrer, comme indiqué à la Fig. 33-c.

REMARQUE : Si le verrou d'axe ne peut pas facilement être engagé pour verrouiller l'axe, tourner le boulon avec une clé à tube de 10mm (accessoire standard) tout en appliquant une pression sur le verrou d'axe.

L'axe de la lame est verrouillé quand le verrou d'axe est enfoncé.

- (4) Retirer le boulon et la rondelle (D).

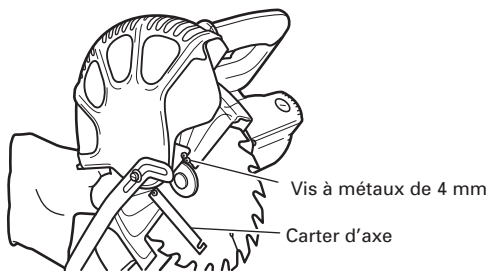


Fig. 33-a

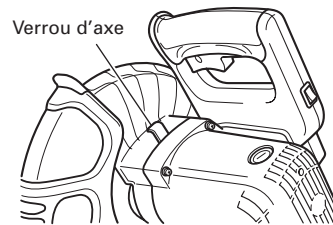


Fig. 33-b

- (5) Soulever la protection inférieure et monter la lame de scie.

⚠ AVERTISSEMENT : Lors du montage de la lame de scie, s'assurer que la marque de sens de rotation sur la lame de scie et le sens de rotation sur le carter d'engrenage (se reporter à la Fig. 1) sont les mêmes.

- (6) Nettoyer soigneusement la rondelle (D) et le boulon et les installer sur l'axe de la lame de scie.

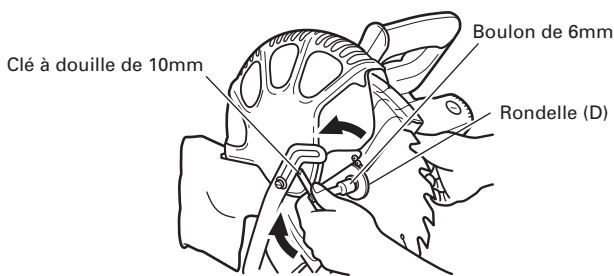


Fig. 33-c

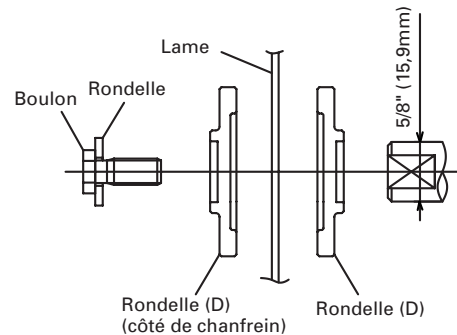


Fig. 33-d

- (7) Appuyer sur le verrou d'axe et serrer le boulon en le tournant vers la gauche à l'aide de la clé fournie comme accessoire standard (clé à douille de 10mm), comme indiqué à la Fig. 33-c.

⚠ ATTENTION : * Vérifier que le verrou d'axe est revenu en position rentrée après le retrait ou l'installation de la lame.

* Serrer le boulon de façon qu'il ne se desserre pas pendant le fonctionnement.

Vérifier que le boulon est solidement vissé avant de mettre l'outil électrique en marche.

2. Retrait de la lame

Démonter la lame en procédant dans l'ordre inverse de l'installation décrite au paragraphe 1 ci-dessus. La lame s'enlève facilement si le carter de sécurité est relevé.

⚠ ATTENTION : Ne jamais tenter d'installer des lames de scie de plus de 10" (255mm) de diamètre. Toujours installer des lames de scie d'un diamètre égal ou inférieur à 10" (255mm).

ENTRETIEN ET INSPECTION

⚠ AVERTISSEMENT : Pour éviter tout risque d'accident ou de blessure, toujours vérifier que l'interrupteur à gâchette est coupé et que la fiche d'alimentation est débranchée de la prise secteur avant d'entretenir ou d'inspecter l'outil.

1. Inspection de la lame

Toujours remplacer la lame dès qu'elle présente des signes d'usure ou de dommage. Une lame endommagée risque de provoquer des blessures, et une lame usée peut réduire le rendement et provoquer une surcharge du moteur.

⚠ ATTENTION : Ne jamais utiliser de lame émoussée. Si la lame est émoussée, sa résistance à la pression de la main appliquée par la poignée de l'outil a tendance à augmenter, ce qui rend le fonctionnement de l'outil électrique peu sûr.

2. Inspection du levier

Si les boulons à tête hexagonale (2) sont lâches, aligner les côtés de la garde et de la lame de scie avec l'équerre en acier. Après avoir réglé la lame de scie et la garde sur un angle de quatre-vingt-dix degrés, serrer les boulons à tête hexagonale (2) qui fixent le levier.

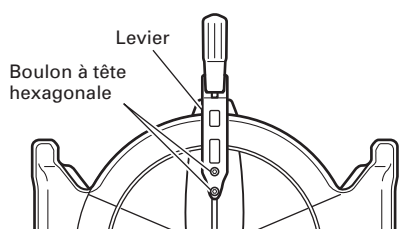


Fig. 34-a

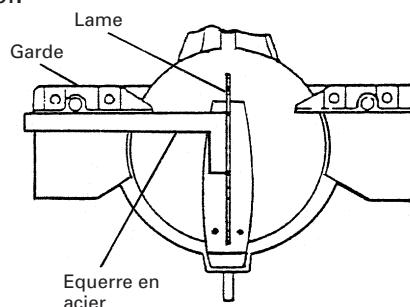


Fig. 34-b

3. Inspecter les balais carbone (Fig. 35 et Fig. 36)

Les balais carbone du moteur sont des pièces consommables.

Si les balais en carbone sont usés, le moteur risque d'avoir des anomalies.

En conséquence, inspecter périodiquement les balais en carbone et les remplacer lorsqu'ils ont atteint la limite d'usure comme indiqué à la Fig. 35.

Par ailleurs, maintenir les balais carbone propres de façon qu'ils glissent régulièrement dans les porte-balai. Les balais carbone sont faciles à retirer ; pour cela, retirer les têtes porte-balai (voir Fig. 36) avec un tournevis à tête plate (signe moins).

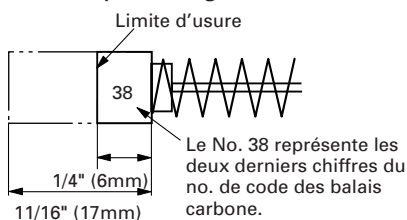


Fig. 35

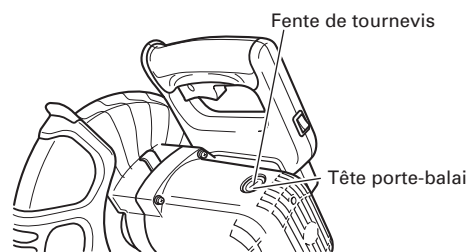


Fig. 36

4. A propos de l'entretien du moteur (se reporter à la Fig. 1)

L'enroulement du moteur est le cœur de cet outil. Veiller tout particulièrement à ne pas endommager l'enroulement en l'exposant à l'huile ou à l'eau.

REMARQUE : L'accumulation de poussières dans le moteur peut entraîner une anomalie de fonctionnement. Après avoir fait tourner le moteur pendant 50 heures environ, le laisser tourner à vide et souffler de l'air sec dans le perçage à l'arrière du moteur. Cette action a pour effet de débarrasser le moteur des poussières et saletés.

5. Inspection des vis

Inspecter régulièrement chaque composant de l'outil électrique pour voir s'il n'est pas lâche. Resserrer les vis des pièces lâches.

⚠ AVERTISSEMENT : Pour éviter tout risque de blessure, ne jamais faire fonctionner l'outil électrique si certains de ses composants sont lâches.

6. Inspection du bon fonctionnement de la protection inférieure

Avant chaque utilisation, faire un essai de la protection inférieure (voir Fig. 7) pour s'assurer qu'elle est en bon état et qu'elle se déplace en douceur.

Ne jamais utiliser l'outil si la protection inférieure ne fonctionne pas correctement et qu'elle n'est pas en bon état mécanique.

7. Remisage

Quand le travail est terminé, vérifier que l'on a bien effectué toutes les opérations suivantes :

- (1) Interrupteur à gâchette en position OFF,
- (2) Fiche d'alimentation débranchée de la prise secteur,
- (3) Bouton de déverrouillage retiré et rangé en lieu sûr.

Si l'on ne prévoit pas de se servir de l'outil, le ranger dans un lieu sec et hors de portée des enfants.

8. Graissage

Graisser les surfaces de glissement suivantes une fois par mois pour maintenir l'outil électrique en bon état de marche pendant longtemps (voir Fig. 1 et Fig. 2). Il est recommandé d'utiliser une huile de machine.

Points de graissage :

- * Section rotative de la charnière
- * Section rotative de l'ensemble d'étau

9. Nettoyage

Retirer périodiquement les copeaux et autres déchets de la surface de l'outil électrique, en particulier par l'intérieur de la protection inférieure, avec un chiffon humecté de savon.

(Uniquement le modèle C10FCH)

Si la ligne laser devient invisible en raison des copeaux et autres débris adhérant à la fenêtre de la section d'émission du marqueur laser, essuyer et nettoyer la fenêtre avec un chiffon sec ou un chiffon doux humecté d'une solution d'eau savonneuse, etc.

SERVICE APRÈS-VENTE ET RÉPARATIONS

Tous les outils électriques de qualité finissent un jour par avoir besoin de réparations ou de remplacement de pièces sous l'effet d'une usure normale. Pour garantir que seules des pièces de rechange agréées seront utilisées et que le système de double isolation sera protégé, il faudra confier toutes les opérations d'entretien (autres que l'entretien de routine) exclusivement à un SERVICE APRES-VENTE D'OUTILS ELECTRIQUES HITACHI AGREE.

REMARQUE : Les spécifications sont sujettes à modification sans obligations de la part d'HITACHI.

INFORMACIÓN IMPORTANTE SOBRE SEGURIDAD

Antes de utilizar o de realizar cualquier trabajo de mantenimiento de esta herramienta eléctrica, lea y comprenda todas las precauciones de seguridad, advertencias e instrucciones de funcionamiento de este Manual de instrucciones.

La mayoría de los accidentes producidos en la operación y el mantenimiento de una herramienta eléctrica se deben a la falta de observación de las normas o precauciones de seguridad. Los accidentes normalmente podrán evitarse reconociendo una situación potencialmente peligrosa a tiempo y siguiendo los procedimientos de seguridad apropiados.

Las precauciones básicas de seguridad se describen en la sección "SEGURIDAD" de este Manual de instrucciones y en las secciones que contienen las instrucciones de operación y mantenimiento.

Para evitar lesiones o el daño de la herramienta eléctrica, los riesgos están identificados con ADVERTENCIAS en dicha herramienta y en este Manual de instrucciones.

No utilice **NUNCA** esta herramienta eléctrica de ninguna forma que no esté específicamente recomendada por HITACHI.

SIGNIFICADO DE LAS PALABRAS DE SEÑALIZACIÓN

ADVERTENCIA indica situaciones potencialmente peligrosas que, si se ignoran, pueden resultar en la muerte o en lesiones de gravedad.

PRECAUCIÓN indica situaciones potencialmente peligrosas que, de no evitarse, pueden resultar en lesiones menores o moderadas, o causar daños en la herramienta eléctrica.

NOTA acentúa información esencial.

SEGURIDAD

NORMAS DE SEGURIDAD PARA LAS HERRAMIENTAS ELÉCTRICAS

LEA TODAS LAS ADVERTENCIAS E INSTRUCCIONES DE OPERACIÓN DE ESTE MANUAL ANTES DE UTILIZAR ESTA HERRAMIENTA O DE REALIZAR TRABAJOS DE MANTENIMIENTO EN LA MISMA:

⚠ ADVERTENCIA: Cuando utilice esta herramienta eléctrica, tome todas las precauciones necesarias para reducir al mínimo el riesgo de descargas eléctricas y demás lesiones. En particular, observe siempre las normas de seguridad siguientes:

1. **MANTENGA SIEMPRE LOS PROTECTORES EN SU LUGAR,** y en perfectas condiciones de trabajo.
2. **ANTES DE PONER EN FUNCIONAMIENTO LA HERRAMIENTA, QUÍTELE TODAS LAS CHAVETAS Y LLAVES DE AJUSTE.** Antes de conectar la alimentación de la herramienta eléctrica, confirme que todas las chavetas y llaves de ajuste estén extraídas de la misma.
3. **MANTENGA SIEMPRE EL ÁREA DE TRABAJO LIMPIA.** Evite lesiones debidas al desorden del área y el banco de trabajo.
4. **NO UTILICE NUNCA LA HERRAMIENTA EN AMBIENTES PELIGROSOS.** No utilice nunca la herramienta eléctrica en lugares húmedos, y no la exponga nunca a la humedad. Mantenga siempre bien iluminada el área de trabajo.
5. **NO PERMITA QUE LOS NIÑOS NI OTRAS PERSONAS ENTREN EN EL ÁREA DE TRABAJO.** Mantenga a las personas (especialmente los niños) alejadas del área de trabajo. Desenchufe siempre las herramientas desatendidas y bloquee el área de trabajo instalando cerraduras en las puertas y seguros en los interruptores principales.

6. **NO FUERCE NUNCA LA HERRAMIENTA.** La herramienta trabajará mejor y con mayor seguridad si la utiliza con el régimen para el que fue diseñada.
7. **UTILICE SIEMPRE LAS HERRAMIENTAS CORRECTAS.** No fuerce nunca una herramienta ni un accesorio para realizar un trabajo para el que no se haya diseñado.
8. **ANTES DE TRABAJAR CON LA HERRAMIENTA, VÍSTASE LA ROPA ADECUADA.** No utilice nunca ropa floja, guantes, corbatas, collares, anillos, brazaletes, ni demás joyas que puedan quedar atrapados en las partes móviles. Utilice siempre calzado antideslizable, preferiblemente con punteras reforzadas con acero. Si tiene el pelo largo, recoja y cúbrese.
9. **ANTES DE UTILIZAR LA HERRAMIENTA, UTILICE GAFAS PROTECTORAS PARA EVITAR DAÑAR SUS OJOS.** Las gafas normales no ofrecen protección suficiente porque las lentes no están hechas de cristal seguro. Además, utilice una careta como protección adicional, y utilice una máscara contra el polvo si la operación de corte produce polvo.
10. **ASEGURE SIEMPRE LA PIEZA DE TRABAJO EN LA ESCUADRA DE GUÍA O EN LA MESA.** Utilice abrazaderas o un tornillo de carpintero para sujetar la pieza de trabajo. Es más seguro utilizar que utilizar su mano, porque podrá usar ambas para manejar la herramienta.
11. **NO SE EXTRALIMITE NUNCA.** Cuando trabaje con la herramienta, mantenga en todo momento el equilibrio.
12. **MANTENGA SIEMPRE LAS HERRAMIENTAS EN PERFECTAS CONDICIONES.** Guarde siempre las herramientas afiladas y limpias para que rindan al máximo y ofrezcan la mayor seguridad. Siga siempre las instrucciones sobre lubricación y cambio de accesorios de las herramientas.
13. **DESCONECTE SIEMPRE LA HERRAMIENTA** antes de realizar la operación de mantenimiento y de cambiar la hoja de sierra y demás accesorios.
14. **TENGA CUIDADO CON LA PUESTA EN FUNCIONAMIENTO ACCIDENTAL AL ENCHUFAR LA HERRAMIENTA.** Antes de insertar el enchufe de alimentación en un tomacorriente, cerciórese de que el interruptor esté en la posición OFF.
15. **CON ESTA HERRAMIENTA UTILICE SIEMPRE SOLAMENTE LOS ACCESORIOS RECOMENDADOS.** Con respecto a la descripción sobre los accesorios recomendados, consulte el manual de instrucciones. Para evitar lesiones, con esta herramienta, utilice solamente los accesorios recomendados.
16. **NO SE SUBA NUNCA SOBRE LA HERRAMIENTA.** Evite lesiones serias no inclinando la herramienta ni tocando accidentalmente la hoja de sierra.
17. **ANTES DE UTILIZAR LA HERRAMIENTA, COMPRUEBE SI TIENE PARTES DAÑADAS.** Compruebe siempre si el protector y los demás componentes están dañados antes de utilizar la herramienta para asegurarse de que funcionen adecuadamente. Compruebe si todas las partes móviles están adecuadamente alineadas, no están dobladas, y no se encuentran en otras condiciones que puedan afectar la operación apropiada. Antes de utilizar la herramienta, repare o reemplace siempre cualquier protector o componente dañado.
18. **ANTES DE UTILIZAR LA HERRAMIENTA, COMPRUEBE SIEMPRE EL SENTIDO DE GIRO DE LA HOJA DE SIERRA.** Alimente siempre la pieza de trabajo en la herramienta en sentido contrario al de giro de la hoja de sierra a fin de evitar posibles lesiones.
19. **NO DEJE LA HERRAMIENTA DESATENDIDA EN FUNCIONAMIENTO. DESCONECTE LA ALIMENTACIÓN.** No deje la herramienta mientras no se haya parado completamente. Cuando no vaya a utilizar la herramienta, desenchufe su cable de alimentación.
20. Esta herramienta no ha sido diseñada para aplicaciones de producción en masa, y no deberá utilizarse para ello.
21. Cuando tenga que reemplazar esta herramienta, utilice solamente las piezas de reemplazo autorizadas.
22. Aplique solamente 120 voltios CA a esta unidad. Si le aplicase una tensión incorrecta, o tensión de CC, la HERRAMIENTA ELÉCTRICA podría funcionar incorrectamente y causar lesiones o daños a la propia herramienta.

23. No levante nunca la hoja de sierra de la pieza de trabajo mientras no se haya parado completamente.
24. Utilice siempre soportes para piezas de trabajo largas que sobrepasen la longitud de la mesa de la sierra compuesta deslizable.
25. Después de cada operación de corte en cruz, devuelva el carro a la posición completamente posterior a fin de reducir el riesgo de lesiones.
26. **ENCHUFES POLARIZADOS** Para reducir el riesgo de descargas eléctricas, este equipo posee un enchufe polarizado (una cuchilla del mismo es más amplia que la otra). Este enchufe solamente encajará de una forma en un tomacorriente polarizado. Si el enchufe no encaja en el tomacorriente, póngase en contacto con un electricista cualificado para que le instale el tomacorriente apropiado. No cambie nunca el enchufe del cable de alimentación.

Normas de seguridad específicas para la utilización de esta herramienta

⚠ ADVERTENCIA: Las instrucciones de operación específicas siguientes deberán observarse cuando se utilice esta HERRAMIENTA ELÉCTRICA a fin de evitar lesiones.

LO QUE DEBERÁ HACERSE

TENGA SIEMPRE EN CUENTA LAS NORMAS SIGUIENTES PARA PODER UTILIZAR CON SEGURIDAD ESTA HERRAMIENTA:


1. Antes de intentar utilizar esta HERRAMIENTA ELÉCTRICA, lea este manual y familiarícese con las normas de seguridad y las instrucciones de operación.
2. Antes de utilizar la HERRAMIENTA ELÉCTRICA, confirme que esté limpia.
3. Para utilizar la HERRAMIENTA ELÉCTRICA, vístase ropa ajustada, calzado no deslizable (preferiblemente con punteras reforzadas con acero) y gafas protectoras.
4. Maneje la HERRAMIENTA ELÉCTRICA con cuidado. Si la HERRAMIENTA ELÉCTRICA se cae o se golpea contra un objeto duro, puede deformar o rajarse, o sufrir otros daños.
5. Si nota cualquier anomalía, deje de utilizar inmediatamente la sierra.
6. Antes de utilizar la herramienta, compruebe si todos los componentes están montados adecuadamente y con seguridad.
7. Cuando reemplace la hoja de sierra, confirme que las rpm de la nueva sean correctas para utilizarse con esta unidad.
8. Antes de realizar cualquier trabajo de mantenimiento o ajuste, desconecte la alimentación y espere hasta que la hoja de sierra se haya parado completamente.
9. Sujete o asegure la pieza de trabajo en la escuadra de guía, ya que de lo contrario podría salirse de la mesa y causar lesiones serias.
10. Durante el corte de ingletes o en bisel, espere siempre hasta que la hoja de sierra se haya parado completamente antes de levantarla.
11. Realice siempre una prueba antes de intentar utilizar una hoja de sierra nueva.
12. Maneje siempre la hoja de sierra con cuidado con la desmonte o monte.
13. Antes de utilizar la sierra, compruebe siempre si la pieza de trabajo está exenta de puntas y demás objetos extraños.
14. Mantenga siempre las manos alejadas del trayecto de la hoja de sierra.
15. Antes de utilizar la sierra, confirme que el revestimiento de protección inferior esté en el lugar apropiado.

16. Inspeccione periódicamente el cable de alimentación de la herramienta.
17. Antes de poner en funcionamiento la herramienta, confirme si la longitud del cable de alimentación y de los cables prolongadores, si va a utilizarlos, es apropiada.
18. Antes de utilizar la herramienta, confirme que los orificios de ventilación del motor estén completamente abiertos.
19. Antes de comenzar a cortar, espere siempre hasta que el motor haya alcanzado la velocidad plena.
20. Mantenga siempre las empuñaduras secas, limpias, y exentas de aceite y grasa. Cuando utilice la herramienta, sujétela firmemente.
21. Para piezas de trabajo que sobrepasen la mesa de la ingletadora, utilice soportes.
22. Utilice siempre la herramienta después de haberse asegurado de que la pieza de trabajo esté adecuadamente fijada con un tornillo de carpintero.
23. El manual de instrucciones suministrado con la herramienta indica al usuario que asegure la herramienta a la estructura de soporte si, durante la operación normal, la herramienta tiende a volcarse, deslizarse, o moverse por la superficie de soporte.

LO QUE NO DEBERÁ HACERSE

NO VIOLE NUNCA LAS NORMAS SIGUIENTES PARA PODER UTILIZAR CON SEGURIDAD ESTA HERRAMIENTA:

1. No utilice nunca la HERRAMIENTA ELÉCTRICA a menos que haya comprendido completamente las instrucciones de operación contenidas en este manual.
2. No deje nunca la HERRAMIENTA ELÉCTRICA desatendida sin haber desenchufado antes el cable de alimentación.
3. No utilice nunca la HERRAMIENTA ELÉCTRICA cuando esté cansado, después de haber ingerido medicamentos, o cuando haya tomado bebidas alcohólicas.
4. No utilice nunca la HERRAMIENTA ELÉCTRICA para aplicaciones no especificadas en este manual.
5. No utilice nunca la herramienta con ropa floja, corbata, ni joyas, ni si haberse cubierto el pelo para evitar que puedan quedar atrapados en las partes móviles.
6. No acerque las manos a la hoja de sierra.
7. No toque nunca las partes móviles, incluyendo la hoja de sierra, mientras esté utilizando la sierra.
8. No quite nunca ningún dispositivo de seguridad ni los protectores de la hoja de sierra, ya que la utilización de la herramienta sin ellos podría resultar peligrosa.
9. No bloquee nunca el revestimiento de protección inferior. Antes de utilizar la herramienta, confirme que se desliza suavemente.
10. No dañe nunca el cable de alimentación de la herramienta.
11. No intente mover nunca una HERRAMIENTA ELÉCTRICA con el dedo en el interruptor de disparo.
12. No intente nunca utilizar la HERRAMIENTA ELÉCTRICA si el interruptor de disparo no funciona adecuadamente.
13. No utilice nunca la HERRAMIENTA ELÉCTRICA si la envoltura de plástico o la empuñadura está rajada o deformada.
14. No utilice nunca la HERRAMIENTA ELÉCTRICA cerca de líquidos ni gases inflamables porque las chispas podrían causar una explosión.
15. No limpie nunca los componentes de plástico con disolventes, porque el plástico podría disolverse.
16. No utilice nunca la herramienta a menos que los revestimientos de protección inferior estén en su lugar.
17. No levante nunca la hoja de sierra de la pieza de trabajo mientras no se haya parado completamente.
18. Cuando corte deslizando, no tire nunca de la empuñadura hacia usted mismo, ya que esto podría hacer que la hoja de sierra se saliese de la pieza de trabajo. Empuje siempre la empuñadura alejándola de usted mismo con un solo movimiento uniforme.

19. No coloque nunca sus miembros dentro de la línea cerca del signo de advertencia “” mientras esté utilizando la herramienta. Esto podría resultar peligroso.
20. No utilice nunca hojas de tipo abrasivo con esta herramienta.
21. No exponga nunca la herramienta a la lluvia, ni la utilice en lugares húmedos.
22. No corte nunca metales ferrosos ni mampostería.

ADVERTENCIA

PARA SU PROPIA SEGURIDAD, ANTES DE UTILIZAR ESTA INGLETADORA ABATIBLE, LEA ESTE MANUAL DE INSTRUCCIONES

1. Para utilizar esta ingletadora abatible, utilice siempre gafas protectoras.
2. Mantenga siempre las manos fuera del trayecto de la hoja de sierra.
3. No utilice nunca la sierra sin los protectores en su lugar.
4. No realice ninguna operación sin las manos con esta ingletadora abatible.
5. No acerque nunca las manos a la hoja de sierra.
6. Antes de mover la pieza de trabajo o de cambiar los ajustes espere siempre a que la hoja de sierra se haya parado completamente.
7. Desconecte siempre la herramienta antes de cambiar la hoja de sierra o de realizar cualquier trabajo de mantenimiento.
8. El diámetro de la hoja de sierra es de 10" (255mm).
9. La velocidad sin carga es de 5000/min.
10. Para reducir el riesgo de lesiones, haga el retornar el carro a la posición la posición completamente hacia atrás después de cada operación de corte.

PIEZAS DE REEMPLAZO

Para la reparación de una herramienta, utilice solamente piezas de reemplazo idénticas. Las reparaciones solamente deberán realizarse en un centro de servicio autorizado por Hitachi.

UTILICE EL CABLE PROLONGADOR ADECUADO

Cerciórese de que el cable prolongador esté en buenas condiciones. Cuando utilice un cable prolongador, cerciórese de que tenga el calibre (grosor) suficiente como para poder conducir la corriente necesaria para la herramienta. Un cable de calibre inferior causaría la caída de tensión, lo que resultaría en pérdida de potencia y en recalentamiento. En la tabla siguiente se indica el calibre correcto de acuerdo con la longitud del cable y la indicación de amperaje de la tabla de características. Cuando menor sea el número de calibre, mayor será el cable.

		CALIBRE MÍNIMO PARA CABLES			
		Longitud Total del Cable en Pies (Metros)			
		0 – 25 (0 – 7,6)	26 – 50 (7,9 – 15,2)	51 – 100 (15,5 – 30,5)	101 – 150 (30,8 – 45,7)
Amperaje nominal		AWG			
Más de	No más de				
	0 – 6	18	16	16	14
	6 – 10	18	16	14	12
	10 – 12	16	16	14	12
	12 – 16	14	12	No se recomienda	

⚠ ADVERTENCIA: Evite descargas eléctricas. No utilice nunca esta herramienta con un cable de alimentación o prolongador dañado ni reparado. Inspeccione regularmente todos los cables eléctricos. No utilice nunca la herramienta cerca del agua ni en ningún otro lugar en el que exista el riesgo de descargas eléctricas.

AISLAMIENTO DOBLE PARA OFRECER UNA OPERACIÓN MÁS SEGURA

Para garantizar una operación más segura de esta herramienta eléctrica, HITACHI ha adoptado un diseño de aislamiento doble. "Aislamiento doble" significa que se han utilizado dos sistemas de aislamiento físicamente separados para aislar los materiales eléctricamente conductores conectados a la fuente de alimentación del bastidor exterior manejado por el operador. Por lo tanto, en la herramienta eléctrica o en su placa de características aparecen el símbolo "□" o las palabras "Double insulation" (aislamiento doble). Aunque este sistema no posee puesta a tierra externa, usted deberá seguir las precauciones sobre seguridad eléctrica ofrecidas en este Manual de instrucciones, incluyendo la no utilización de la herramienta eléctrica en ambientes húmedos.

Para mantener efectivo el sistema de aislamiento doble, tenga en cuenta las precauciones siguientes:

- * Esta herramienta solamente deberá ser desmontada y montada en un CENTRO DE SERVICIO AUTORIZADO POR HITACHI, y sólo deberán utilizarse piezas de reemplazo genuinas de HITACHI.
- * Limpie el exterior de la herramienta eléctrica solamente con un paño suave humedecido en agua jabonosa, y después séquela bien.
- * No utilice disolventes, gasolina, ni diluidor de pintura para limpiar las partes de plástico, ya que podría disolverlas.

**¡GUARDE ESTAS
INSTRUCCIONES Y
PÓNGALAS A DISPOSICIÓN DE
OTROS USUARIOS
Y
PROPIETARIOS DE ESTA
HERRAMIENTA!**

OPERACIÓN Y MANTENIMIENTO

NOTA: La información contenida en este manual ha sido diseñada para ayudarle a realizar una operación segura y a mantener la herramienta eléctrica. Algunas ilustraciones de este manual pueden mostrar detalles o dispositivos diferentes a los de su propia herramienta eléctrica.

NOMENCLATURA DE PARTES

MODELO C10FCH/MODELO C10FCE

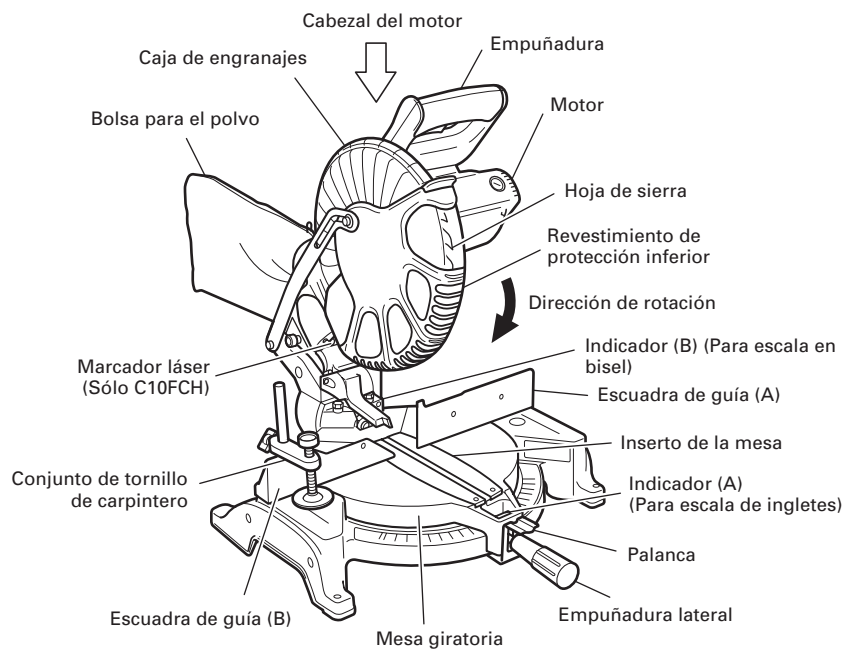


Fig. 1

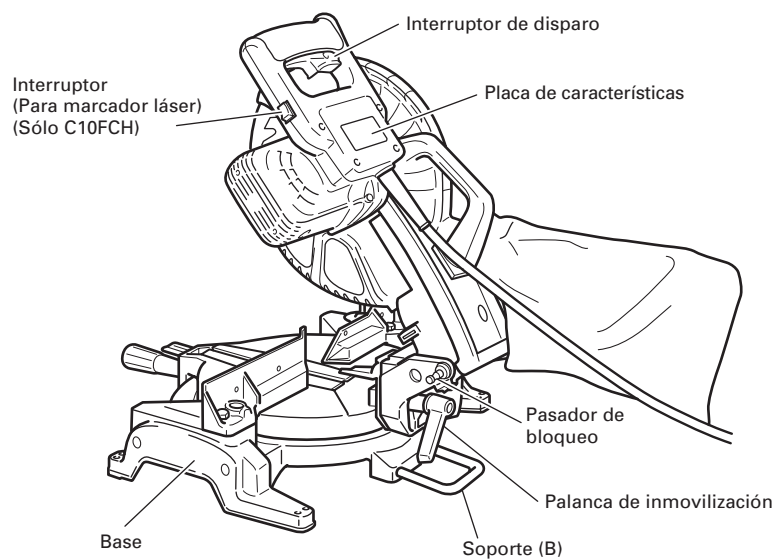


Fig. 2

ESPECIFICACIONES

Ítem	Modelo	C 10FCH / C 10FCE		
Motor	Tipo	Motor conmutador en serie		
	Fuente de alimentación	Monofásica, CA, 60 Hz		
	Tensión (voltios)	120		
	Corriente a plena carga (amperios)	15		
Marcador láser (Sólo modelo C10FCH)	Potencia máxima	<1mW Producto láser CLASE II		
	Longitud de onda	400 - 700 nm		
	Medio de láser	Diodo láser		
Hoja de sierra aplicable	Diámetro exterior: 10" (255mm) Diámetro del orificio: 5/8" (15,9mm)			
Velocidad sin carga	5000/min			
Dimensión máxima de corte		Cabeza	Mesa giratoria	Dimensión máxima de corte
de corte	Ingletes	0	0	Altura máx. 2-5/16" (59mm)
				Anchura máx. 5-21/32" (144mm)
	0	45° a la izquierda	Altura máx. 3-1/2" (89mm)	
			Anchura máx. 3-31/32" (101mm)	
	Bisel	45° a la izquierda	0	Altura máx. 2-5/16" (59mm)
				Anchura máx. 4" (102mm)
Compuesto	45° a la izquierda	45° a la izquierda	Altura máx. 1-3/4" (41mm)	
			Anchura máx. 5-21/32" (144mm)	
Margen de corte de ingletes	0 – 52° a la izquierda 0 – 52° a la derecha			
Margen de corte en bisel	0 – 45° a la izquierda			
Margen de corte compuesto	0 – 45° a la izquierda (bisel) 0 – 45° a la izquierda (inglete)			
Peso neto	27,6 lbs. (12,5 kg)			
Cable	Cable de tipo de 2 conductores de 6 pies (1,8m)			

APLICACIONES

Puertas corredizas de madera y aluminio.

PREPARATIVOS PREVIOS A LA OPERACIÓN

Antes de utilizar la herramienta eléctrica, realice los preparativos siguientes:

1. Instalación

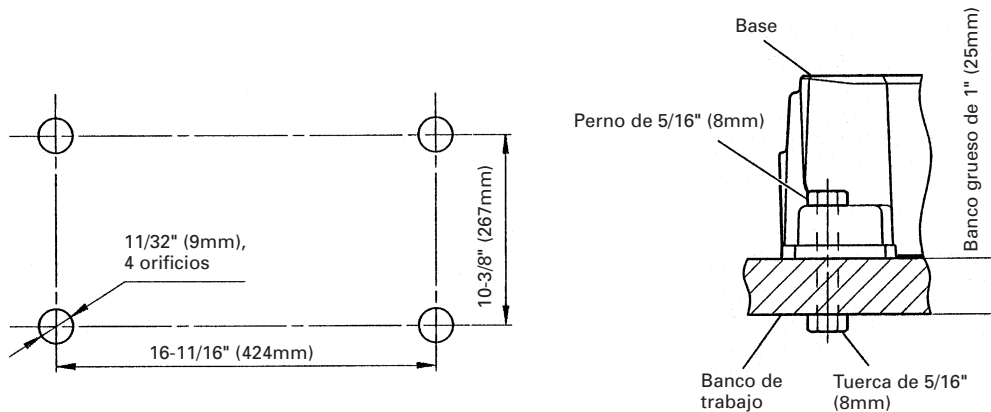


Fig. 4

Coloque la herramienta eléctrica sobre un banco de trabajo nivelado horizontal, como se muestra en la Fig. 4.

Seleccione pernos de 5/16" (8mm) de diámetro y de la longitud adecuada al grosor del banco de trabajo. La longitud del perno deberá ser de 1-3/8" (35mm) por lo menos más el grosor del banco de trabajo. Por ejemplo, utilice pernos de 2-11/32" (60mm) o más para un banco de trabajo con grosor de 1" (25mm). El soporte (B) fijado a la parte posterior de la base ayuda a estabilizar la herramienta eléctrica.

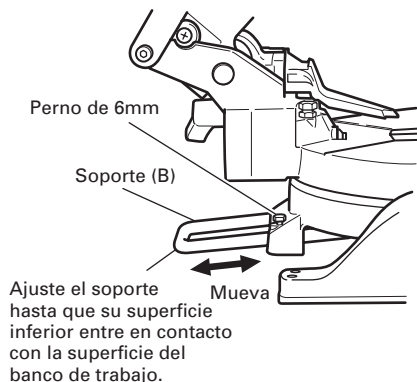


Fig. 5

Ajuste del soporte (B):

Afloje el perno de 6mm con la llave de cubo de Llave de cubo de 10mm suministrada.

Ajuste el soporte (B) hasta que su superficie inferior entre en contacto con la superficie del banco de trabajo.

Después del ajuste, apriete firmemente el perno de 6mm.

⚠ PRECAUCIÓN: Utilizando los pernos (6mm), asegure la herramienta eléctrica a un banco de trabajo y, si la mesa giratoria está inclinada en un ángulo de 45° o más, preste atención para que la mano que sujeta la empuñadura lateral no quede atrapada entre la empuñadura lateral y la cabeza de los pernos (6mm). De lo contrario, podría sufrir lesiones.

2. Liberación del pasador de bloqueo

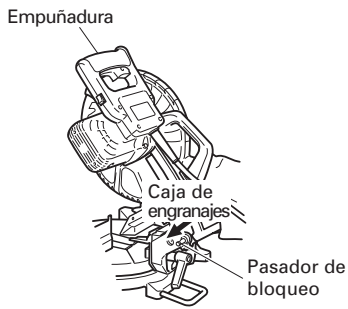


Fig. 6

Cuando la herramienta eléctrica esté preparada para transportarse, sus partes principales estarán aseguradas mediante el pasador de bloqueo.

Mueva ligeramente la empuñadura de forma que el pasador de bloqueo pueda desenganchar.

NOTA: Si baja ligeramente la empuñadura podrá desenganchar el pasador de bloqueo de forma más fácil y segura.

La posición de bloqueo del pasador de bloqueo es solamente para transporte y almacenamiento.

3. Instalación de la bolsa para el polvo, el soporte, el retén, y los tornillos de carpintero (El soporte y el retén son accesorios opcionales.)

Fije la bolsa para el polvo y el conjunto de tornillo de carpintero como se indica en la Fig. 1 y Fig. 2.

ANTES DE LA UTILIZACIÓN

1. Cerciórese de que la fuente de alimentación sea adecuada para la herramienta.

⚠ ADVERTENCIA: No conecte nunca la herramienta eléctrica a menos que la fuente de alimentación de CA disponible sea de la misma tensión que la especificada en la placa de características de dicha herramienta.

2. Cerciórese de que el interruptor de disparo esté en OFF.

⚠ ADVERTENCIA: Si conectase el cable de alimentación en la fuente de alimentación con el interruptor de disparo en ON, la herramienta se pondría repentinamente en funcionamiento y podría causar un accidente serio.

3. Compruebe si la hoja de sierra posee defectos visibles.

Confirme que la hoja de sierra esté exenta de rajaduras y de otros defectos visibles.

4. Confirme que la hoja de sierra esté fijada con seguridad a la herramienta eléctrica.

Utilizando la llave de cubo de 10mm suministrado, apriete el perno del huso de la hoja de sierra para asegurar ésta.

Con respecto a los detalles, consulte la Fig. 33-a, 33-b, 33-c y 33-d de la sección "MONTAJE Y DESMONTAJE DE LA HOJA DE SIERRA".

5. Compruebe si el revestimiento de protección inferior funciona adecuadamente.

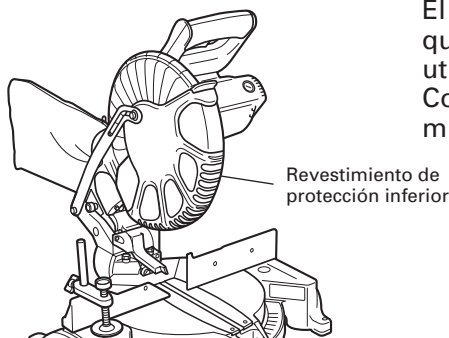


Fig. 7

El revestimiento de protección inferior está diseñado para evitar que el operador entre en contacto con la hoja de sierra cuando utilice la herramienta.

Compruebe siempre si el revestimiento de protección inferior se mueve suavemente y si cubre adecuadamente la hoja de sierra.

⚠ ADVERTENCIA: NO UTILICE NUNCA LA HERRAMIENTA ELÉCTRICA si la cubierta de seguridad no funciona suavemente.

6. Antes de utilizar la herramienta, confirme la posición del bloqueador del huso.

Después de haber instalado la hoja de sierra, confirme que el bloqueador del huso está en posición de retraída antes de utilizar la herramienta eléctrica (consulte la Fig. 33-b).

7. Compruebe el tomacorriente de CA.

Para evitar el recalentamiento, la parada accidental, o la operación intermitente, confirme que el enchufe del cable de alimentación esté firmemente insertado en el tomacorriente y que no se caiga después de haberlo insertado. Si el tomacorriente está defectuoso repare o reemplácelo.

8. Confirme que el cable de alimentación de la herramienta no esté dañado.

Si el cable de alimentación está dañado, repare o reemplácelo.

DESPUÉS DE HABER CONECTADO EL ENCHUFE DEL CABLE DE ALIMENTACIÓN EN UN TOMACORRIENTE DE CA APROPIADO, COMPRUEBE LA OPERACIÓN DE LA HERRAMIENTA DE LA FORMA SIGUIENTE:

9. Operación de prueba

Después de haber confirmado que no se ha olvidado de nada, ponga en funcionamiento la herramienta eléctrica, y confirme que no haya ninguna anomalía antes de intentar realizar la operación de corte.

10. Inspeccione la estabilidad de rotación de la hoja de sierra.

Para cortar con precisión, gire la hoja de sierra y compruebe la deflexión para confirmar que la hoja no esté inestable, ya que de lo contrario, podrían producirse vibraciones y ocurrir un accidente.

ANTES DEL CORTE

1. Ángulo oblicuo

Cuando la herramienta sale de fábrica, está ajustada para corte de 0°, en bisel de 45° hacia la izquierda con el perno (A) de 8mm y el perno (B) de 8mm.

Cuando cambie el ajuste, cambie la altura de el perno (A) de 8mm o el perno (B) de 8mm girándolos. (Fig. 8-a, Fig. 8-b)

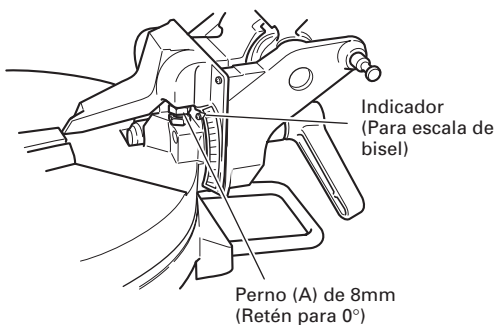


Fig. 8-a

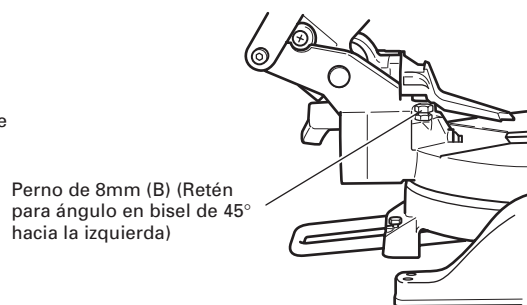


Fig. 8-b

2. Inmovilización de la pieza de trabajo

⚠ ADVERTENCIA: Sujete siempre la pieza de trabajo a la escuadra de guía, ya que de lo contrario podría salirse de la mesa y causar lesiones serias.

3. Instalación de los soportes ... (Accesorios opcionales)

Los soportes ayudan a mantener estables, y en su lugar, las piezas de trabajo largas durante la operación de corte.

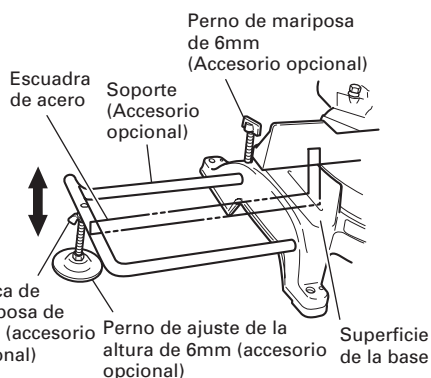


Fig. 9

(1) Como se indica en la Fig. 9, utilice una escuadra de acero para alinear el borde superior de los soportes con la superficie de la base.

Afloje el perno de mariposa de 6mm. Gire el perno de ajuste de altura de 6mm, y ajuste la altura del soporte.

(2) Después del ajuste, apriete firmemente la tuerca de mariposa y asegure el sujetador con el perno de mariposa de 6mm (accesorio opcional). Si el largo del perno de ajuste de altura de 6mm es insuficiente, coloque debajo una placa delgada. Asegúrese de que el extremo del perno de ajuste de altura de 6mm no sobresalga del sujetador.

4. Retén para precisión de corte ... (El retén y el soporte son accesorios opcionales)

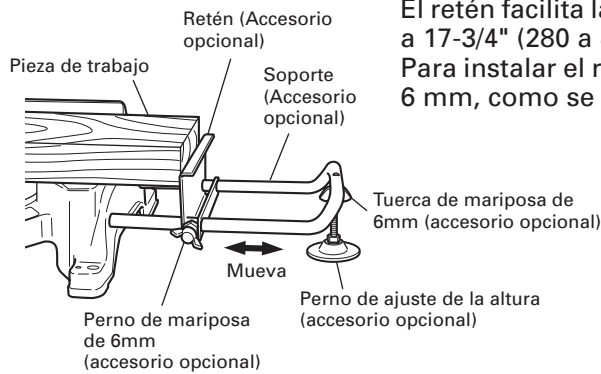


Fig. 10

El retén facilita la precisión del corte continuo en longitudes de 11" a 17-3/4" (280 a 450mm).

Para instalar el retén, fijelo al soporte con el perno de mariposa de 6 mm, como se muestra en la Fig. 10.

5. Confirmación para el uso de la escuadra de guía secundaria ... (Accesorio opcional)

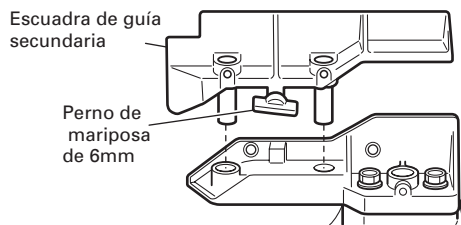


Fig. 11

⚠ ADVERTENCIA: En el caso de corte a bisel izquierdo, desmonte la escuadra de guía secundaria. Si no la desmonta, entrará en contacto con la hoja o con alguna parte de la herramienta, y causará lesiones de gravedad al operador.

En el caso de corte en ángulo directo y de corte angular, utilice la escuadra de guía secundaria. La escuadra de guía secundaria se puede instalar en el lado izquierdo de la escuadra de guía. Inserte las varillas de la escuadra de guía secundaria en los orificios de la escuadra de guía. Apriete el perno de mariposa de 6mm entregado con la escuadra de guía secundaria para asegurar la misma. Luego podrá realizar un corte estable del material con una cara trasera ancha.

6. Posición de ajuste de la línea de láser (Sólo modelo C10FCH)

- ⚠ ADVERTENCIA:**
- * Antes de enchufar la clavija de alimentación en el tomacorriente, asegúrese de que el cuerpo principal y el marcador láser se encuentren apagados.
 - * Durante el ajuste de posición de la línea de láser, preste suma atención al interruptor de gatillo, ya que la clavija de alimentación se encuentra enchufada durante la operación. Una activación involuntaria del interruptor de gatillo hará girar la hoja de sierra, lo cual podría ocasionar a su vez un accidente inesperado.
 - * No utilice el marcador láser para otros fines que no sean los indicados.

⚠ PRECAUCIÓN:

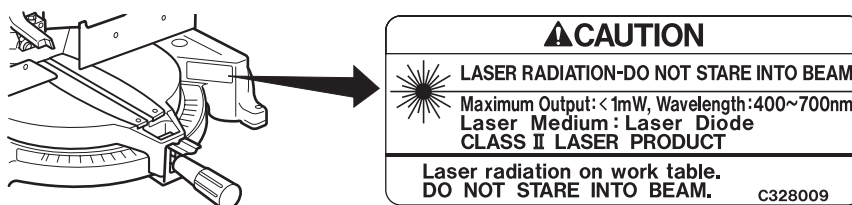


Fig. 12

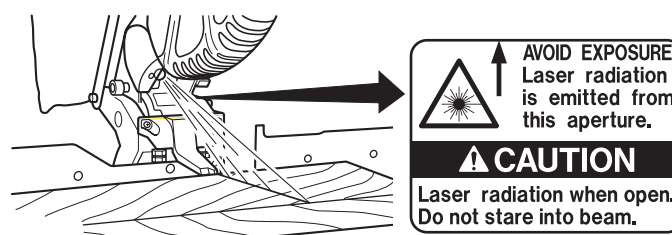


Fig. 13

- * **Radiación láser: No mire fijamente el haz.**
- * **Radiación láser sobre la mesa de trabajo. No mire fijamente el haz. Evite la exposición de los ojos a radiación directa, pues podría sufrir lesiones.**
- * **No lo desmonte.**
- * **No aplique un impacto fuerte al marcador láser (cuerpo principal de la herramienta); de lo contrario, no sólo se alterará la posición de la línea de láser, sino que se producirán daños o se acortará la vida de servicio del marcador láser.**
- * **Mantenga el marcador láser encendido sólo durante la operación de corte. Una iluminación prolongada hará que se acorte su vida de servicio.**
- * **La utilización de controles, ajustes o de procedimientos distintos de los especificados en la presente podría significar una exposición peligrosa a la radiación.**

NOTA: * Efectúe el corte haciendo coincidir la línea de tinta con la línea de láser.

- * **Cuando la línea de tinta y la línea de láser se encuentran superpuestas, la intensidad y la tenuidad de la luz cambian, permitiendo una operación de corte estable debido a que será posible determinar fácilmente la coincidencia de las líneas. Esto permitirá reducir al mínimo los errores de corte.**
- * **En operaciones en exteriores o cerca de ventanas, la línea de láser podría ser difícil de ver debido a la luz del sol. En tales casos, trasládese a un sitio protegido de la luz del sol.**
- * **No tire con fuerza del cordón provisto detrás de la cabeza del motor ni enganche su dedo o algún objeto alrededor del mismo; de lo contrario, el cordón se podría salir y el marcador láser no se podrá encender.**

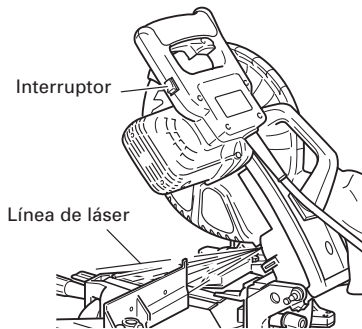


Fig. 14

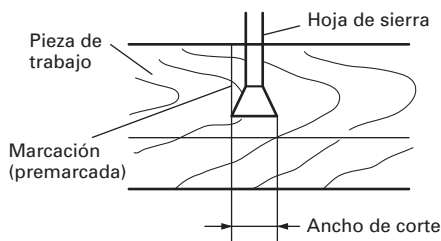


Fig. 15

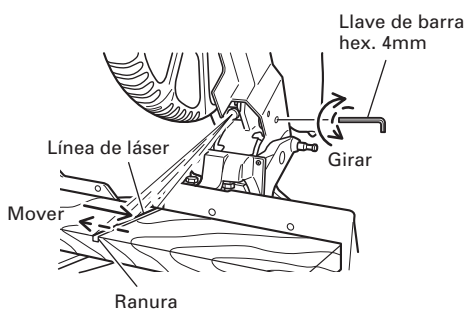


Fig. 16

La línea de tinta puede ser realizada fácilmente en esta herramienta para el marcador láser.

Un interruptor enciende el marcador láser. (Fig. 14)

Dependiendo del corte a realizar, se podrá alinear la línea de láser con el lado izquierdo del ancho de corte (hoja de sierra) o con la línea de tinta del lado derecho.

Antes de despacharse de fábrica, la línea de láser es ajustada al ancho de la hoja de sierra. Realice los siguientes pasos para ajustar la posición de la hoja de sierra y de la línea de láser según sus necesidades.

(1) Encienda el marcador láser y efectúe una ranura de aproximadamente 3/16" (5mm) de profundidad en una pieza de trabajo de unos 1-1/2" (38mm) de alto y 3-1/2" (89mm) de ancho. Sostenga la pieza de trabajo ranurada mediante el tornillo de carpintero tal como está, y no la mueva.

(2) A continuación introduzca una llave de barra hexagonal de 4 mm en el orificio de 12 pulgadas de diámetro situado sobre el lado de la caja de engranajes, y gire el tornillo de cabeza hueca hexagonal para desplazar la línea de láser. (Si gira el tornillo de cabeza hexagonal en el sentido de las agujas del reloj, la línea de láser se desplazará hacia la derecha, y si lo gira en sentido contrario a las agujas del reloj, se desplazará hacia la izquierda.) Cuando trabaja con la línea de tinta alineada con el lado izquierdo de la hoja de sierra, alinee la línea de láser con el extremo izquierdo de la ranura. (Fig. 16) Cuando la alinee con el lado derecho de la hoja de sierra, alinee la línea de láser con el lado derecho de la ranura.

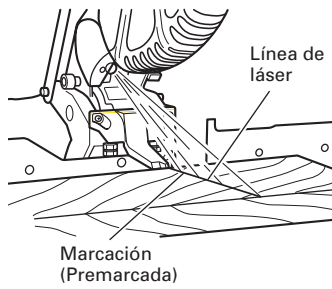


Fig. 17

- (3) Tras ajustar la posición de la línea de láser, trace sobre la pieza de trabajo una línea de tinta en ángulo recto y alinee la línea de tinta con la línea de láser. Cuando alinee la línea de tinta, deslice gradualmente la pieza de trabajo y asegúrela con el tornillo de carpintero en la posición en que la línea de láser coincida con la línea de tinta. Trabaje de nuevo en el ranurado y verifique la posición de la línea de láser. Si desea cambiar la posición de la línea de láser, vuelva a realizar los ajustes desde los pasos (1) a (3).

NOTA: Compruebe sobre una base periódica que la posición de la línea de láser sea la correcta. Con respecto al método de verificación, trace una línea de tinta en ángulo recto sobre una pieza de trabajo de aproximadamente 1-1/2" (38mm) de alto y 3-1/2" (89mm) de ancho, y compruebe que la línea de láser coincide con la línea de tinta. [La desviación entre la línea de tinta y la línea de láser debe ser inferior al ancho de la línea de tinta (0,5mm)]. (Fig. 17).

APLICACIONES PRÁCTICAS

- ⚠ ADVERTENCIA:** * Para evitar lesiones, no quite ni reemplace nunca la pieza de trabajo sobre la mesa mientras la herramienta esté en funcionamiento.
* No coloque nunca sus miembros dentro de la línea cerca del signo de advertencia mientras esté utilizando la herramienta. Esto podría resultar peligroso (consulte la Fig. 18).

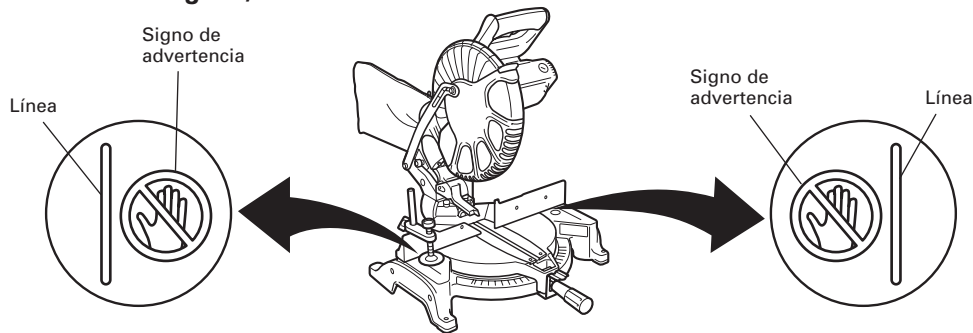


Fig. 18

1. Operación de conmutación

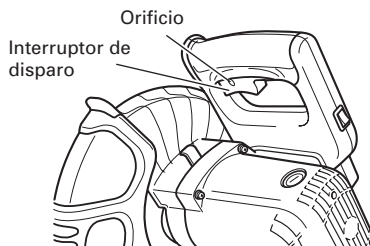


Fig. 19

Tire del disparador para activar el interruptor y suéltelo para desactivarlo.

Después de soltar el gatillo, asegúrese de que éste vuelva totalmente a su posición original y de que se desconecte el interruptor.

- ⚠ ADVERTENCIA:** Este bloqueo permitirá evitar el encendido accidental de la herramienta eléctrica o la utilización por parte de personas no autorizadas (especialmente los niños). Para evitar la utilización no autorizada de esta herramienta, inserte un candado a través del orificio del interruptor de disparo.

2. Utilización del conjunto de tornillo de carpintero (Accesorio estándar)

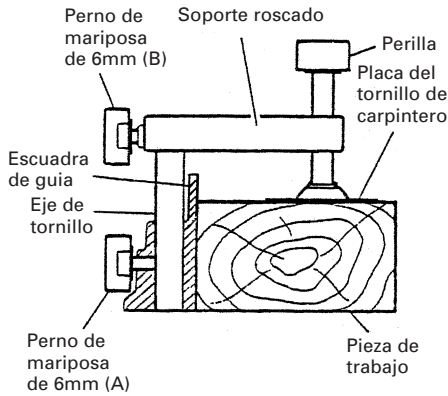


Fig. 20

- (1) El conjunto de tornillo de carpintero puede montarse en la escuadra de guía izquierda (escuadra de guía (B)) o bien en la escuadra de guía derecha (escuadra de guía (A)) aflojando el perno de orejas de 6mm (A).
- (2) El portatornillo puede elevarse o bajarse de acuerdo con la altura de la pieza de trabajo aflojando el perno de orejas de 6mm (B). Después del ajuste, apriete firmemente el perno de orejas de 6 mm (B) y fije el portatornillo.
- (3) Gire la perilla superior y fije firmemente la pieza de trabajo en su lugar (Fig. 20).

⚠ ADVERTENCIA: Siempre sujete firmemente la pieza de trabajo a la escuadra de guía, ya que de lo contrario podría salirse de la mesa y causar lesiones serias.

⚠ PRECAUCIÓN: Confirme siempre que la cabeza del motor (consulte la Fig. 1) no entre en contacto con el conjunto de tornillo de carpintero cuando descienda para realizar la operación de corte. Si existe el peligro de que pueda pasar esto, afloje ligeramente el perno de orejas de 6mm (B) y mueva el conjunto de tornillo de carpintero hasta una posición en la que no entre en contacto con la hoja de sierra.

3. Operación de corte

- (1) Como se muestra en la Fig. 21, la anchura de la hoja de sierra es la de corte. Por lo tanto, deslice la pieza de trabajo hacia la derecha (vista desde la posición del operador) cuando desee la longitud ⑥, o hacia la izquierda cuando desee la longitud ⑤.

(Sólo modelo C10FCH)

Si se utiliza un marcador láser, alinee la línea de láser con el lado izquierdo de la hoja de sierra, y luego alinee la línea de tinta con la línea de láser.

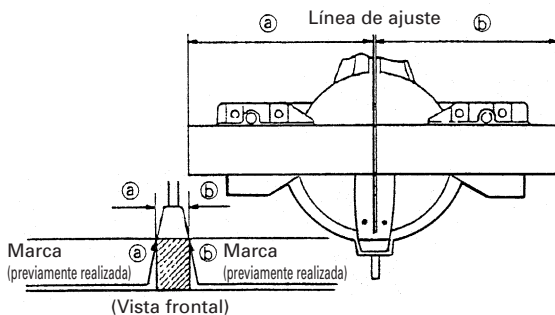


Fig. 21

- (2) Cuando la hoja de sierra haya alcanzado la velocidad máxima, empuje cuidadosamente hacia abajo la empuñadura hasta que la hoja de sierra se acerque a la pieza de trabajo.
- (3) Cuando la hoja de sierra haya entrado en contacto con la pieza de trabajo, empuje gradualmente hacia abajo la empuñadura para cortar dicha pieza.
- (4) Después de haber cortado la pieza de trabajo con la profundidad deseada, desconecte la alimentación de la herramienta eléctrica y deje que la hoja de sierra se pare completamente antes de levantar la empuñadura de la pieza de trabajo para devolverla a su posición de completamente retraída.

⚠ ADVERTENCIA: * Cuando no vaya a utilizar la herramienta, confirme que el interruptor de disparo esté en OFF y de que el enchufe del cable de alimentación esté desconectado del tomacorriente.

* Cuando corte la pieza de trabajo, evite realizar cortes más delgados que la holgura existente entre el borde de corte y la hoja de sierra. De lo contrario, el material cortado podría penetrar dentro de esta holgura y los fragmentos podría esparcirse, provocándole lesiones.

⚠ PRECAUCIÓN: * El aumento de la presión sobre la empuñadura no aumentará la velocidad de corte. Por el contrario, la presión excesiva puede resultar en sobrecarga del motor y/o en reducción de la eficacia de corte.

* Si presiona la empuñadura con una fuerza excesiva o lateral, la hoja de sierra podría vibrar durante la operación de corte y provocar marcas innecesarias sobre la pieza de trabajo, perjudicando la calidad del corte. Por consiguiente, cuando presione la empuñadura hacia abajo, hágalo suavemente y con cuidado.

4. Procedimiento de corte de ingletes

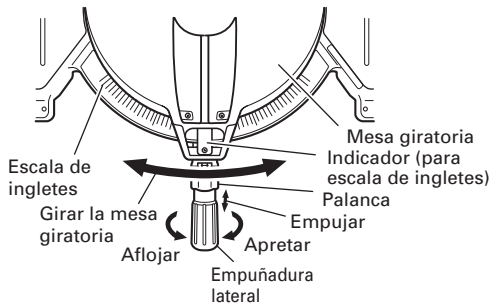


Fig. 22

(1) Afloje la empuñadura lateral y empuja la palanca para los topes de ángulo. Luego, ajuste la mesa giratoria hasta que el indicador se alinee con el ajuste deseado de la escala de ángulos de inglete (Fig. 22).

(2) Vuelva a apretar la empuñadura lateral para asegurar la mesa giratoria en la posición deseada.

NOTA: * En las posiciones hacia la derecha y la izquierda existen paradas a 0°, centro, 15°, 22,5°, 31,6°, y 45°.

Compruebe que la escala de ingletes y la punta del indicador estén adecuadamente alineadas.

* La operación de la sierra con la escala de ingletes y el indicador desalineados, o con la empuñadura lateral sin apretar adecuadamente, resultará en un corte con mala precisión.

⚠ PRECAUCIÓN: No retire nunca la empuñadura lateral. Es sumamente peligroso utilizar la herramienta sin la empuñadura lateral. Para evitar accidentes o lesiones, siempre sujete firmemente la empuñadura lateral.

5. Procedimientos de corte de ingletes

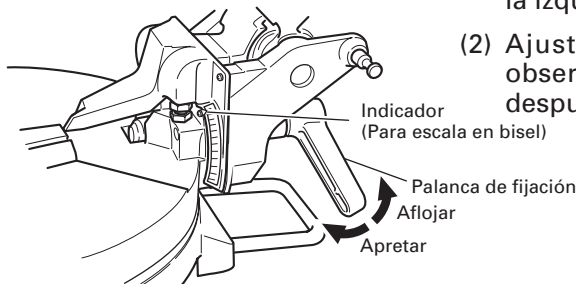


Fig. 23

(1) Afloje la manivela de abrazadera e incline la hoja de sierra hacia la izquierda.

(2) Ajuste el ángulo de inclinación hasta el valor deseado observando la escala de ángulos de bisel y el indicador, y después asegure la manivela de la abrazadera.

⚠ ADVERTENCIA: Cuando la pieza de trabajo esté asegurada en la parte izquierda o derecha de la hoja de sierra, la parte de corte corto entrará en contacto con el resto de la parte derecha o izquierda de dicha hoja. Desconecte siempre la alimentación y deje que la hoja de sierra se pare completamente antes de levantar le empuñadura dura de la pieza de trabajo.

Si levanta la empuñadura mientras la hoja de sierra está girando, la pieza de corte puede atascarse contra la hoja de sierra haciendo que se esparzan peligrosamente virutas.

Cuando pare en la mitad la operación de corte en bisel, comience a cortar después de haber devuelto la cabeza del motor hasta la posición inicial.

Si comenzase en el medio, sin haber tirado hacia atrás, la cubierta de seguridad podría quedar enganchada en la ranura de corte de la pieza de trabajo y entrar en contacto con la pieza de trabajo.

6. Procedimientos de corte compuesto

El corte compuesto podrá realizarse siguiendo las instrucciones de 4 y 5 anteriores. Con respecto a las dimensiones máximas del corte compuesto, consulte "ESPECIFICACIONES" de la página 53.

⚠ PRECAUCIÓN: Siempre asegure la pieza de trabajo con el lado derecho para el corte compuesto. No gire nunca la mesa hacia la derecha para el corte compuesto, debido a que la hoja de sierra podría entrar en contacto con el sujetador o con el tornillo de carpintero que asegura a la pieza de trabajo, y causar lesiones o daños.

7. Procedimientos de corte con moldura en vértice

En la Fig. 24 se muestran los tipos de moldura en vértice con ángulos de 38° y 45°. Con respecto a las molduras en vértice típicas, consulte la Fig. 25

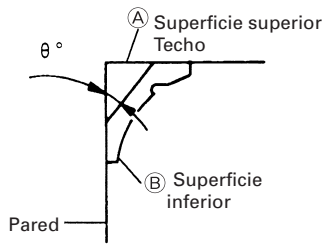


Fig. 24

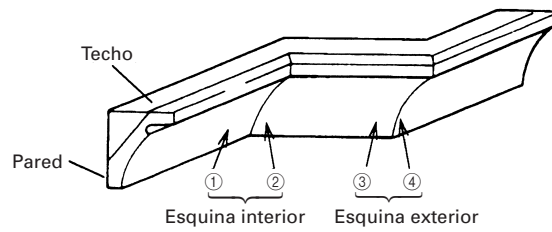


Fig. 25

En la tabla siguiente se muestran los ajustes de ángulo de ingletes y de corte en bisel para los dos tipos de moldura en el vértice.

NOTA: Por motivos de comodidad, existen posiciones con parada para los ajustes de corte de ingletes (izquierda y derecha de 31,6°).

Para el ajuste de corte de ingletes

Si la mesa giratoria ha sido ajustada a cualquiera de los ángulos descritos, mueva la empuñadura lateral de ajuste de la misma un poco hacia la derecha o hacia la izquierda para estabilizar la posición y para alinear apropiadamente la escala de ángulos ingletes y la punta del indicador antes de iniciar la operación.

Para el ajuste del corte en bisel

Mueva la empuñadura de la sección de bisel hacia la izquierda y compruebe que la posición sea estable, y que la escala de ángulos de bisel y la punta del indicador estén adecuadamente alineadas. Después apriete la manivela de la abrazadera.

Tipo de moldura en vértice	Para procesar la moldura en vértices en las posiciones ① y ④ de la Fig. 36.		Para procesar la moldura en vértices en las posiciones ② y ③ de la Fig. 36.	
	Ajuste del ángulo de ingletes	Ajuste del ángulo de corte en bisel	Ajuste del ángulo de ingletes	Ajuste del ángulo de corte en bisel
Tipo de 45°	35,3° hacia la derecha (marca ↓)	30° hacia la izquierda (marca ↓)	35,3° hacia la izquierda (marca ↓)	30° hacia la izquierda (marca ↓)
Tipo de 38°	31,6° hacia la derecha (marca ↓)	33,9° hacia la izquierda (marca ↓)	31,6° hacia la izquierda (marca ↓)	33,9° hacia la izquierda (marca ↓)

(1) Ajuste para cortar molduras en vértice a los posiciones ① y ④ de la Fig. 25 (consulte la Fig. 26, incline la cabeza hacia la izquierda):

- ① Gire la mesa giratoria hacia la derecha y ajuste el ángulo de ingletes de la forma siguiente:
 - * Para molduras en vértice de tipo de 45°: 35,3° (marca ↓)
 - * Para molduras en vértice de tipo de 38°: 31,6° (marca ↓)
- ② Incline la cabeza hacia la izquierda y ajuste el ángulo de corte en bisel de la forma siguiente:
 - * Para molduras en vértice de tipo de 45°: 30° (marca ↓)
 - * Para molduras en vértice de tipo de 38°: 33,9° (marca ↓)
- ③ Coloque la moldura en el vértice de forma que la superficie superior (A de la Fig. 24) entre en contacto con la escuadra de guía como se indica en la Fig. 28

(2) Ajuste para cortar molduras en vértice a los posiciones ② y ③ de la Fig. 25 (consulte la Fig. 27, incline la cabeza hacia la izquierda):

- ① Gire la mesa giratoria hacia la derecha y ajuste el ángulo de ingletes de la forma siguiente:
 - * Para molduras en vértice de tipo de 45°: 35,3° (marca ↓)
 - * Para molduras en vértice de tipo de 38°: 31,6° (marca ↓)

- ② Incline la cabeza hacia la izquierda y ajuste el ángulo de corte en bisel de la forma siguiente:
 * Para molduras en vértice de tipo de 45°: 30° (marca ↓)
 * Para molduras en vértice de tipo de 38°: 33,9° (marca ↓)
- ③ Coloque la moldura en el vértice de forma que la superficie superior (B) de la Fig. 24) entre en contacto con la escuadra de guía como se indica en la Fig. 29.

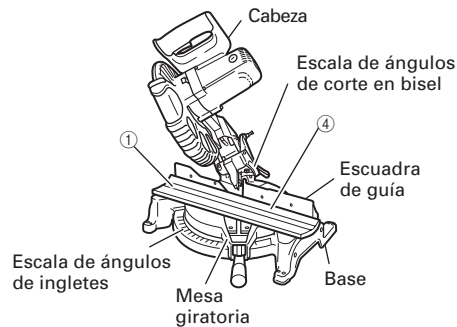


Fig. 26

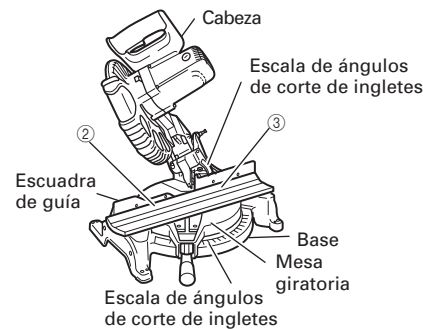


Fig. 27

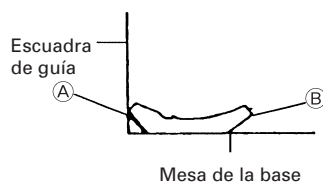


Fig. 28

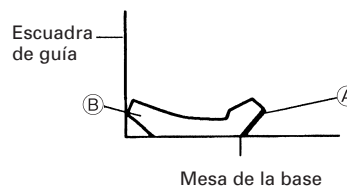


Fig. 29

Método de corte de moldura en vértice sin inclinar la hoja de sierra

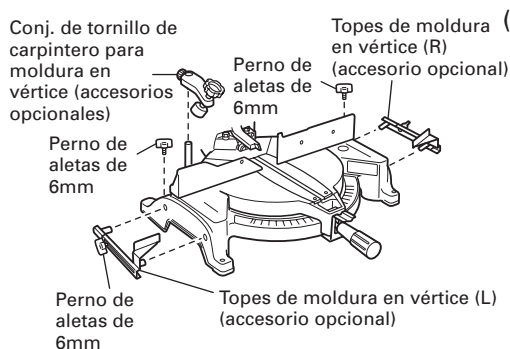


Fig. 30-a

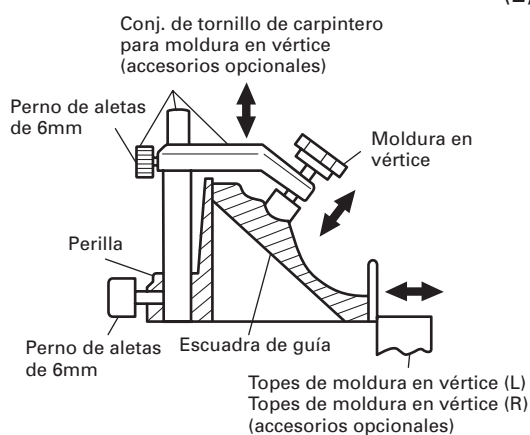


Fig. 30-b

- (1) Las topes de moldura en vértice (L) y (R) (accesorios opcionales) permiten facilitar los cortes de la moldura en vértice, sin inclinar la hoja de sierra. Instálaslas en ambos lados de la base, tal como se muestra en la Fig. 30-a. Después de la inserción, apriete el perno de perilla de 6mm para asegurar los topes de moldura en vértice.

[Accesorios opcionales utilizados]

- Conj. de tornillo de carpintero para moldura en vértice (Incluye tope de moldura en vértice (L))
- Tope de moldura en vértice (L)
- Tope de moldura en vértice (R)

- (2) El conj. de tornillo de carpintero para moldura en vértice (B) (accesorio opcional) puede montarse tanto en el tope-guía izquierdo (tope-guía (B)) como en el tope-guía derecho (tope-guía (A)). Es posible combinar con la inclinación de la moldura en vértice, pudiéndose presionar el conj. de tornillo de carpintero hacia abajo.

Pueden enlazarse con la inclinación de la moldura en vértice y se podrá presionar el tornillo de carpintero hacia abajo.

Luego gire la perilla superior, según se requiera para que la moldura en vértice quede fijada en su lugar. Para levantar o bajar el conjunto de tornillo de carpintero, afloje primero el perno de perilla de 6mm.

Después de ajustar la altura, apriete firmemente el perno de aletas de 6mm; luego gire la perilla superior, según se requiera, para que la moldura en vértice quede fijada firmemente en su lugar. (Consulte la Fig. 30-b)

⚠ ADVERTENCIA: Siempre asegure firmemente la moldura en vértice a la escuadra de guía; de lo contrario, la misma podría zafarse de la mesa y producir lesiones. No efectúe el corte en bisel. El cuerpo principal o la hoja de sierra podría entrar en contacto con la escuadra de guía secundaria, y producir lesiones.

⚠ PRECAUCIÓN: Siempre compruebe que la cabeza del motor (véase Fig.1) no haga contacto con el conj. de tornillo de carpintero para moldura en vértice (B) cuando lo baje para realizar el corte. Si existe el riesgo de que esto suceda, afloje el perno de perilla de 6mm y mueva el conj. de tornillo de carpintero para moldura en vértice (B) a una posición en que no haga contacto con la hoja de sierra.

Posicione la moldura en vértice con su BORDE EN CONTACTO CON LA PARED contra la escuadra de guía y su BORDE DE CONTACTO CON EL TECHO contra los topes de moldura en vértice, tal como se observa en la Fig. 30-b.

Ajuste los topes de moldura en vértice de acuerdo con el tamaño de la moldura en vértice. Apriete el perno de aletas de 6mm para asegurar los topes de la moldura en vértice.

8. Corte fácil de materiales deformados, tales como vidrieras corredizas de aluminio

Los materiales tales como vidrieras corredizas de aluminio pueden deformarse fácilmente si se aprietan demasiado con el conjunto de tornillo de carpintero. Esto causará el corte ineficaz y posiblemente la sobrecarga del motor.

Cuando corte tales materiales, utilice un tablón de madera para proteger la pieza de trabajo como se muestra en la Fig. 31-a. Coloque la tabla de madera cerca de la sección de corte.

Cuando corte materiales de aluminio, recubra la hoja de sierra con aceite para corte (no consumible) a fin de lograr un corte uniforme y un acabado fino.

Asimismo, en el caso de una pieza de trabajo en forma de U, utilice un tablón de madera, tal como se observa en la Fig. 31-b para asegurar estabilidad en la dirección lateral, y asegúrela cerca de la sección de corte de la pieza de trabajo. Luego realice el apriete utilizando tanto el conjunto de tornillo de carpintero y abrazadera disponible en las tiendas del ramo.

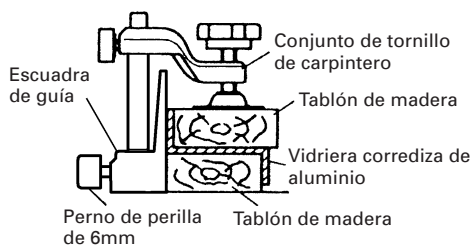


Fig. 31-a

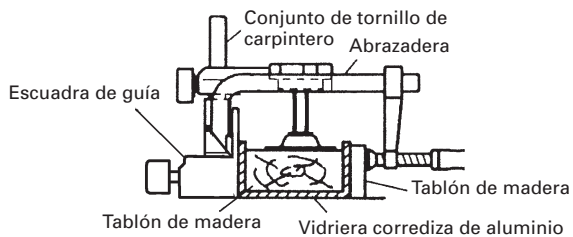


Fig. 31-b

9. Forma de utilizar la bolsa para el polvo (Accesorio estándar)

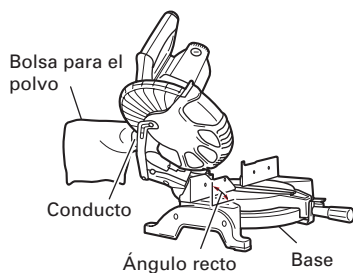


Fig. 32

- (1) Cuando la bolsa para el polvo esté llena de polvo, dicho polvo saldrá soplado de la bolsa para el polvo cuando gire la hoja de sierra. Compruebe periódicamente y vacíe la bolsa para el polvo antes de que se llene.
- (2) Durante el corte en bisel y compuesto, fije la bolsa para el polvo en ángulo recto con relación a la superficie de la base como se muestra en la Fig. 32.

⚠ PRECAUCIÓN: Vacíe frecuentemente la bolsa para el polvo para evitar que se atasquen el conducto y la cubierta de seguridad. Durante el corte en bisel se acumulará más polvo de lo normal.

MONTAJE Y DESMONTAJE DE LA HOJA DE SIERRA

⚠ ADVERTENCIA: * Para evitar accidentes o lesiones, suelte siempre el interruptor de disparo y desconecte el enchufe del cable de alimentación del tomacorriente antes de extraer o instalar la hoja de sierra.

Si se realizara la tarea de corte sin haber apretado suficientemente el perno, éste se podría aflojar, la hoja se podría salir y el revestimiento de protección inferior se podría dañar provocando lesiones.

Compruebe asimismo que los pernos se encuentren correctamente apretados antes de desenchufar la clavija de alimentación de la toma de corriente.

* Si se instalaran o retiraran los pernos utilizando una herramienta que no sea la llave de cubo de 10mm (accesorio estándar), se producirá un apriete excesivo o inadecuado, lo cual podría provocar lesiones.

1. Montaje de la hoja de sierra (Fig. 33-a, Fig. 33-b, Fig. 33-c y Fig. 33-d)

- (1) Gire el revestimiento de protección inferior (de plástico) hasta la posición superior.
- (2) Utilice el destornillador para aflojar el tornillo de 4mm que sujeta la cubierta del husillo, y luego retire la cubierta del usillo.
- (3) Presione el bloqueador del huso y afloje el perno con la llave de cubo de 10mm (accesorio estándar). Como el perno está roscado hacia la izquierda, aflójelo girándolo hacia la derecha como se muestra en la Fig. 33-c.

NOTA: Si el bloqueador del huso no puede presionarse fácilmente para bloquear el huso, gire el perno con la llave de cubo de 10mm (accesorio estándar) presionándolo. El cubo de la hoja de sierra se bloqueará al presionar hacia adentro el bloqueador del mismo.

- (4) Quite el perno y la arandela (D).

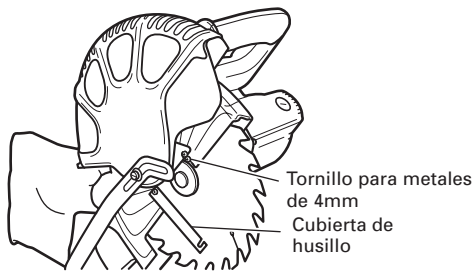


Fig. 33-a

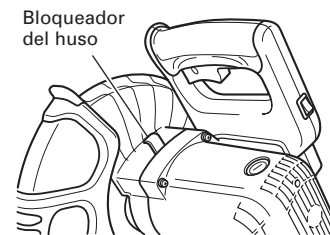


Fig. 33-b

- (5) Levante el revestimiento de protección inferior y monte la hoja de sierra.

⚠ ADVERTENCIA: Cuando monte la hoja de sierra, confirme que la marca del indicador de rotación de la misma y del sentido de giro de la caja de engranajes (consulte la Fig. 1) hayan quedado correctamente adaptadas.

- (6) Limpie cuidadosamente la arandela (D) y el perno, e instálelos en el huso de la hoja de sierra.

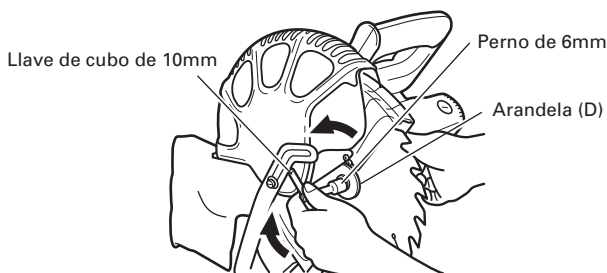


Fig. 33-c

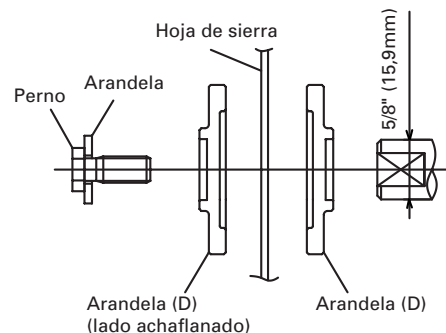


Fig. 33-d

- (7) Presione el bloqueador del huso y apriete el perno girándolo hacia la izquierda con la llave de accesorio estándar (llave de cubo de 10mm), como se indica en la Fig. 33-c.

- ⚠ PRECAUCIÓN:** * Después de haber instalado o extraído la hoja de sierra, confirme que el bloqueador del huso haya vuelto a la posición de retracción.
* Apriete el perno de forma que no se afloje durante la operación.
Confirme que el perno haya quedado adecuadamente apretado antes de poner en funcionamiento la herramienta.

2. Desmontaje de la hoja de sierra

Desmonte la hoja de sierra invirtiendo el proceso de montaje descrito en el párrafo 1 anterior. La hoja de sierra podrá extraerse fácilmente después de levantar la cubierta de seguridad.

- ⚠ PRECAUCIÓN:** No intente instalar nunca hojas de sierra de diámetro superior a 10" (255mm). Instale siempre las hojas de sierra de 10" (255mm) de diámetro o menos.

MANTENIMIENTO E INSPECCIÓN

- ⚠ ADVERTENCIA:** Para evitar accidentes o lesiones, confirme que el interruptor de disparo esté en OFF y de que el enchufe del cable de alimentación esté desconectado del tomacorriente antes de realizar cualquier operación de mantenimiento o de inspección de esta herramienta.

1. Inspección de la hoja de sierra

Reemplace la hoja de sierra inmediatamente después de haber notado cualquier signo de deterioro o daño.

Una hoja de sierra dañada puede causar lesiones, y otra desgastada puede causar la operación inefectiva o la posible sobrecarga del motor.

- ⚠ PRECAUCIÓN:** No utilice nunca una hoja de sierra mellada. Cuando la hoja de sierra esté mellada, su resistencia a la presión de la mano aplicada por la empuñadura de la herramienta tiende a aumentar, haciendo que la herramienta eléctrica funcione de forma insegura.

2. Inspección de la palanca

Si los pernos (2) de cabeza hexagonal M6 están flojos, alinee los laterales del tope-guía y de la hoja de sierra con la escuadra de acero. Después de ajustar la hoja de sierra y el tope-guía a un ángulo de noventa grados, apriete la palanca asegurando los pernos (2) de cabeza hexagonal.

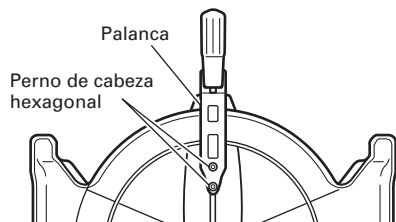


Fig. 34-a

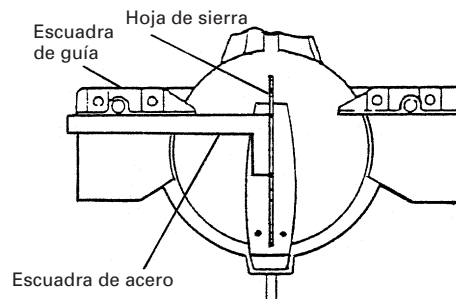


Fig. 34-b

3. Inspección de las escobillas (Figs. 35 y 36)

Las escobillas del motor son piezas fungibles.

Si las escobillas se desgastan excesivamente, es posible que el motor tenga problemas.

Por lo tanto, inspeccione periódicamente las escobillas y reemplácelas cuando se hayan desgastado hasta la línea límite mostrada en la Fig. 35.

Además, mantenga las escobillas limpias de forma que se deslicen suavemente dentro de los portaescobillas. Las escobillas podrán extraerse fácilmente después de haber quitado las tapas de los portaescobillas (consulte la Fig. 36) con un destornillador de punta plana.

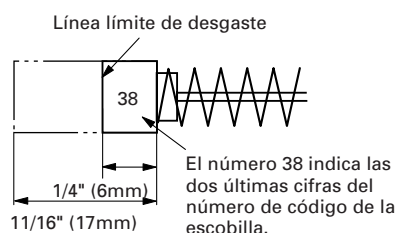


Fig. 35

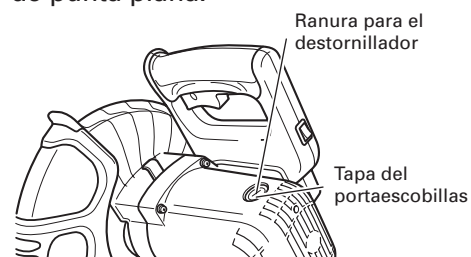


Fig. 36

4. Cómo tratar el motor (consulte la Fig. 1)

El devanado del motor es el "corazón" mismo de esta herramienta. Preste suma atención para asegurarse de que el devanado no se dañe y/o se humedezca con aceite o agua.

NOTA: La acumulación de polvo u otras impurezas en el interior del motor puede provocar fallos de funcionamiento.

Después de usar el motor alrededor de unas 50 horas, efectúe el funcionamiento sin carga, y sople aire seco desde el orificio provisto en la parte trasera del motor. Esta acción es sumamente eficaz para descargar el polvo y similar.

5. Inspección de los tornillos

Inspeccione regularmente cada componente de la herramienta eléctrica para ver si están flojos. Reapriete los tornillos y cualquier pieza floja.

⚠ ADVERTENCIA: Para evitar lesiones, no utilice nunca la herramienta eléctrica si tiene alguna pieza floja.

6. Inspección del funcionamiento del revestimiento de protección inferior

Antes de utilizar la herramienta, pruebe el revestimiento de protección inferior (consulte la Fig. 7) para asegurarse de que esté en buenas condiciones, y de que se mueva uniformemente.

No utilice nunca la herramienta a menos que el revestimiento de protección inferior funcione de forma adecuada y esté en buenas condiciones mecánicas.

7. Almacenamiento

Después de haber utilizado la herramienta eléctrica, compruebe si:

- (1) El interruptor de disparo está en la posición OFF,
 - (2) El enchufe del cable de alimentación está desconectado del tomacorriente de CA,
 - (3) El botón de desbloqueo está extraído y guardado en un lugar seguro.
- Cuando no vaya a utilizar la herramienta, guárdela en un lugar seco fuera del alcance de niños.

8. Lubricación

Lubrique las superficies deslizables siguientes una vez al mes a fin de mantener la herramienta eléctrica en buenas condiciones de operación durante mucho tiempo (consulte la Fig. 1 y la Fig. 2). Se recomienda la utilización de aceite para máquinas.

Puntos de suministro de aceite:

- * Parte giratoria de la bisagra
- * Parte giratoria del conjunto del tornillo de carpintero

9. Limpieza

Limpie periódicamente las virutas y demás materiales de la superficie de la herramienta eléctrica, especialmente del interior del revestimiento de protección inferior, con un paño humedecido en una solución jabonosa. Para evitar el mal funcionamiento del motor, protéjalo contra el aceite y el agua.

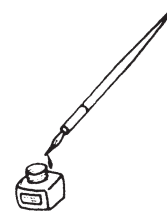
(Sólo modelo C10FCH)

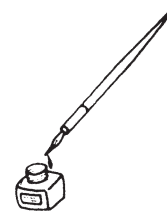
Si la línea de láser se volviera invisible debido a astillas u otras impurezas adheridas en la ventana de la sección de emisión de luz del marcador láser, limpie la ventana con un paño suave o humedecido con agua jabonosa, etc.

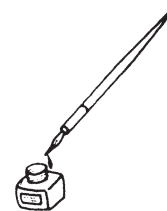
SERVICIO Y REPARACIONES

Todas las herramientas eléctricas de calidad necesitan el servicio o el reemplazo de piezas debido al desgaste por el uso. para asegurarse de que solamente se utilicen piezas de remplazo autorizadas y el sistema de doble aislamiento, todos los trabajos de servicio (excepto el mantenimiento rutinario) deberán realizarse SOLAMENTE EN UN CENTRO DE REPARACIONES DE HERRAMIENTAS ELÉCTRICAS AUTORIZADO POR HITACHI.

NOTA: Las especificaciones están sujetas a cambio sin previo aviso sin ninguna obligación por parte de HITACHI.







WARNING:

Some dust created by power sanding, sawing, grinding, drilling, and other construction activities contains chemicals known to the State of California to cause cancer, birth defects or other reproductive harm. Some examples of these chemicals are:

- Lead from lead-based paints,
- Crystalline silica from bricks and cement and other masonry products, and
- Arsenic and chromium from chemically-treated lumber.

Your risk from these exposures varies, depending on how often you do this type of work. To reduce your exposure to these chemicals: work in a well ventilated area, and work with approved safety equipment, such as those dust masks that are specially designed to filter out microscopic particles.

AVERTISSEMENT:

La poussière résultant d'un ponçage, d'un sciage, d'un meulage, d'un perçage ou de toute autre activité de construction renferme des produits chimiques qui sont connus par l'Etat de Californie pour causer des cancers, des défauts de naissance et autres anomalies de reproduction. Nous énumérons ci-dessus certains de ces produits chimiques:

- Plomb des peintures à base de plomb,
- Silice cristalline des briques et du ciment et autres matériaux de maçonnerie, et
- Arsenic et chrome du bois d'oeuvre traité chimiquement.

Le risque d'exposition à ces substances varie en fonction de la fréquence d'exécution de ce genre de travail. Pour réduire l'exposition à ces produits chimiques, travailler dans un lieu bien ventilé, et porter un équipement de protection agréé, par exemple un masque anti-poussière spécialement conçu pour filter les particules microscopiques.

ADVERTENCIA:

A algunos polvos creados por el lijado mecánico, el aserrado, el esmerilado, el taladrado y otras actividades de construcción contienen sustancias químicas conocidas por el Estado de California como agentes cancerígenos, defectos congénitos y otros daños reproductores. Algunos ejemplos de estas sustancias químicas son:

- El plomo de las pinturas a base de plomo,
- El sílice cristalino de los ladrillos y cemento y otros productos de mampostería, y
- El arsénico y el cromo de la madera tratada químicamente.

El riesgo resultante de la exposición varía según la frecuencia con que se realiza este tipo de trabajo. Para reducir la exposición a estas sustancias químicas: trabaje en un lugar bien ventilado y realice el trabajo utilizando el equipamiento apropiado, tal como las máscaras para el polvo especialmente diseñados para eliminar las partículas minúsculas.

Issued by

 **Hitachi Koki Co., Ltd.**

Shinagawa Intercity Tower A,
15-1, Konan 2-chome, Minato-ku, Tokyo 108-6020, Japan

Distributed by

 **Hitachi Koki U.S.A., Ltd.**

3950 Steve Reynolds Blvd.
Norcross, GA 30093

 **Hitachi Koki Canada Co.**

6395 Kestrel Road
Mississauga ON L5T 1Z5