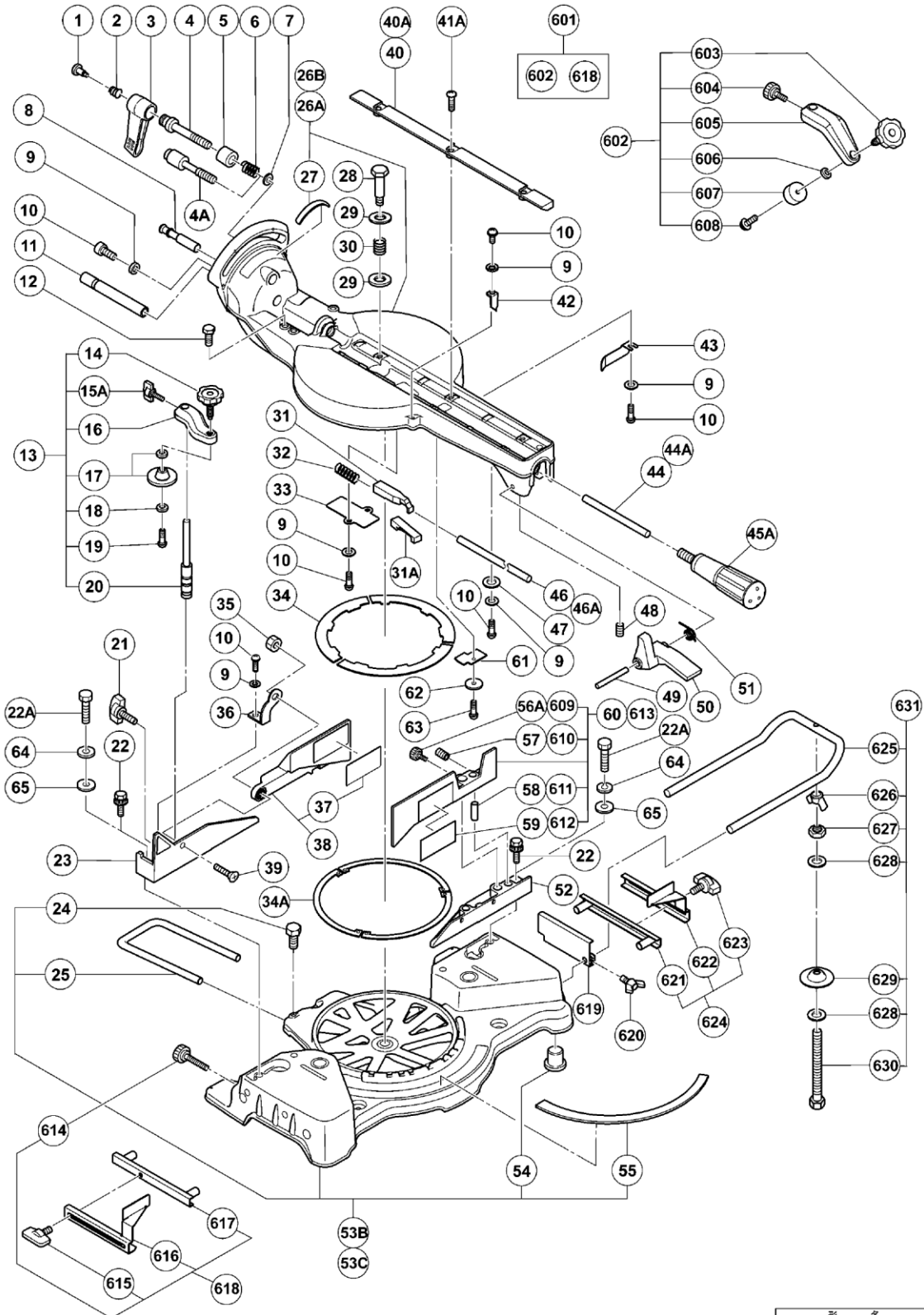
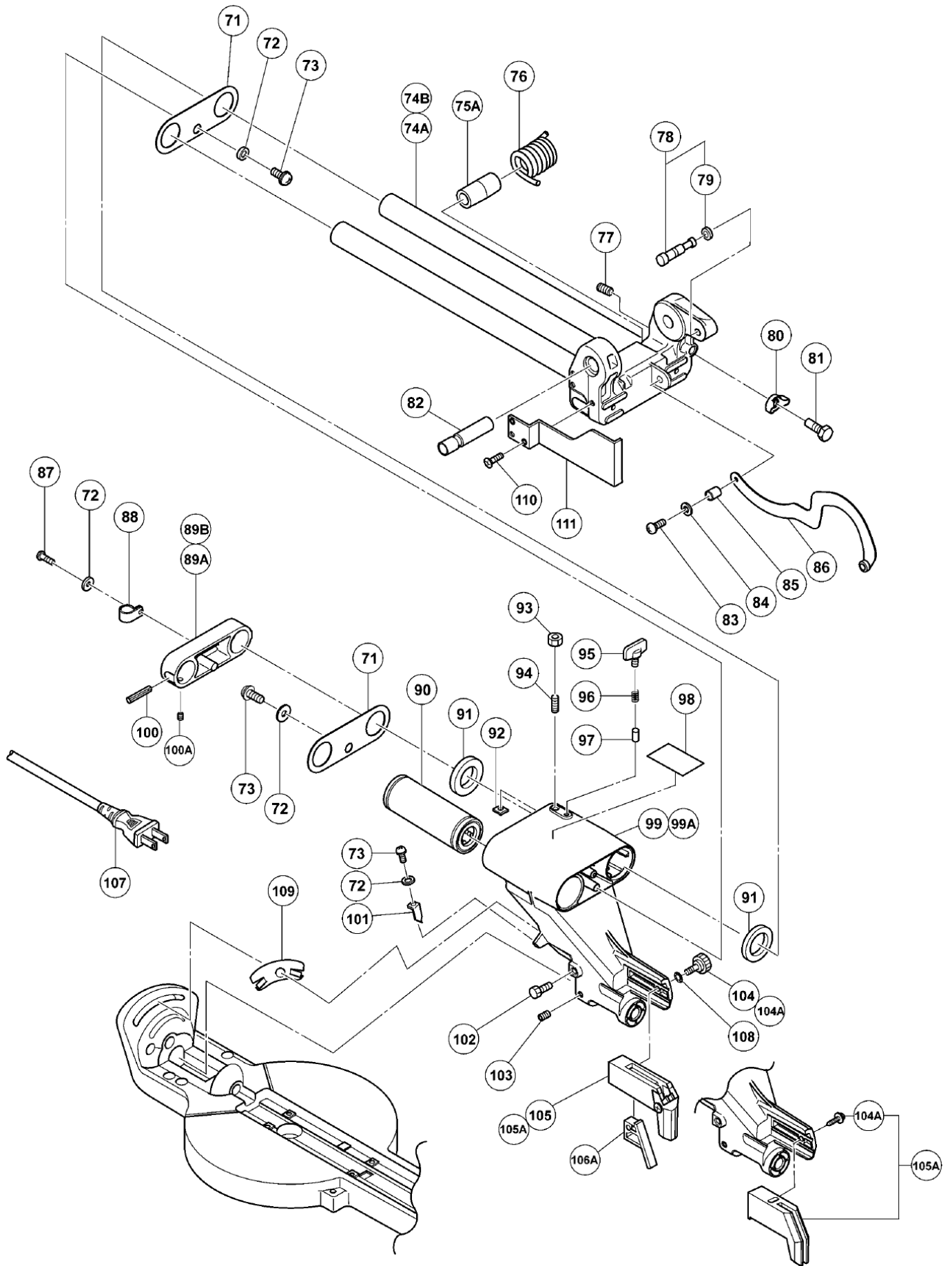


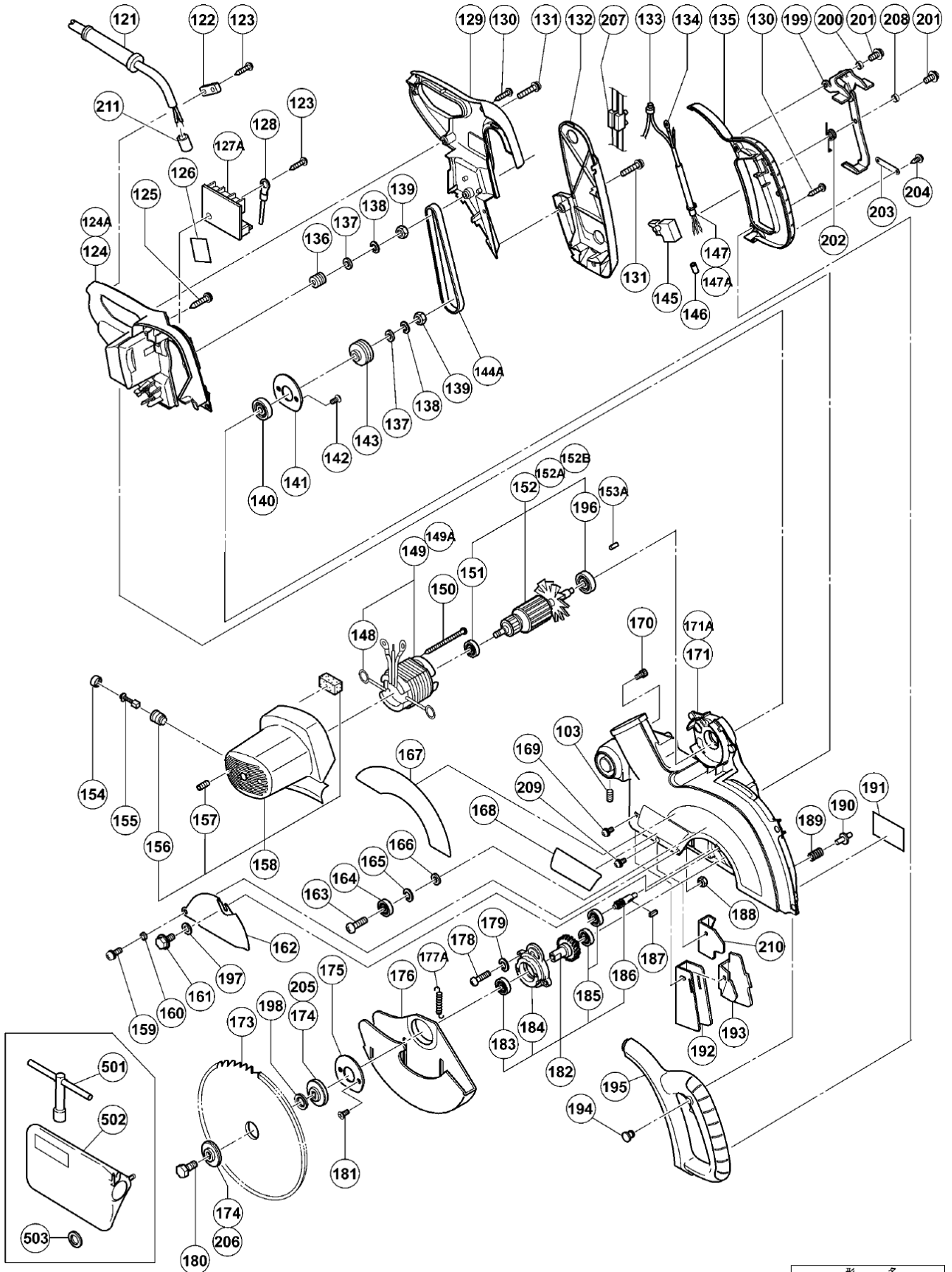
## ELECTRIC TOOL PARTS LIST

■ SLIDE COMPOUND SAW  
Model C10FSB

2012 • 11 • 28  
(E3a)







Rev.11

形名  
C10FSB(3/3)

## PARTS

C10FSB

ITEM NO.	CODE NO.	DESCRIPTION	NO. USED	REMARKS
1	305180	CLUTCH SCREW	1	
2	305179	CLUTCH SPRING	1	
3	312488	CLAMP LEVER	1	
4	307725	BOLT (LEFT HAND) M10	1	(TILL 08.2010)
4A	329409	BOLT (LEFT HAND) D10	1	(SINCE 09.2010)
5	315195	SLEEVE	1	
6	305190	METAL SPRING (A)	1	EXCEPT FOR USA
7	965077	SPECIAL WASHER	1	
8	321330	SET PIN (A)	1	
9	949429	BOLT WASHER M4 (10 PCS.)	8	
10	949215	MACHINE SCREW M4X8 (10 PCS.)	8	
11	320141	HINGE SHAFT (A)	1	
12	303409	NYLOCK BOLT M8X25	2	
13	321370	WISE ASS'Y	1	INCLUD.14-20
14	308396	KNOB BOLT M10	1	
15A	307947	WING BOLT M6X12	1	
16		SCREW HOLDER	1	
17	319974	WISE PLATE SET	1	
18	996722	WASHER	1	
19	996247	MACHINE SCREW (W/WASHERS) M5X12 (BLACK)	1	
20	321371	WISE SHAFT	1	
21	302459	WING BOLT M6X17	1	
22	307221	BOLT (W/WASHERS) M8X35 (BLACK)	4	(TILL 08.2010)
22A	949678	BOLT M8X35 (10 PCS.)	4	(SINCE 09.2010)
23	321346	FENCE (B)	1	
24	949610	BOLT M6X10 (10 PCS.)	1	
25	998844	HOLDER	1	
26A	330768	TABLE ASS'Y	1	INCLUD.9.10.27-34A.40.41A.43.44A.46A-51. 53B.61-63 EXCEPT FOR USA.CAN.MEX (TILL 01.2012 FOR USA.CAN.MEX)
*26B	334463	TABLE ASS'Y	1	INCLUD.9.10.27-34A.40A.41A.43.44A.46A-51 .53C.61-63 SINCE 02.2012 FOR USA.CAN.MEX
27	321343	SCALE (B)	1	
28	312480	SHAFT (B)	1	
29	949437	BOLT WASHER M12 (10 PCS.)	2	
30	312481	SPRING	1	
31	321335	STOPPER (A)	1	(TILL 08.2008)
31A	322280	STOPPER (A)	1	(SINCE 09.2008)
32	321417	SPRING (E)	1	
33	321336	PIN COVER	1	
34	998811	LINER	3	(TILL 08.2008)
34A	324400	LINER	3	(SINCE 09.2008)
35	311144	NYLON NUT M6	1	
36	321331	PLATE	1	
37	321386	WARNING LABEL (H)	1	
38	321385	SUB FENCE (B) ASS'Y	1	INCLUD.37
39	949342	FLAT HD. SCREW M6X25 (10 PCS.)	1	
40	998818	TABLE INSERT	2	EXCEPT FOR USA.CAN.MEX (TILL 01.2012 FOR USA.CAN.MEX)
40A	329421	TABLE INSERT	2	SINCE 02.2012 FOR USA.CAN.MEX
41A	949256	MACHINE SCREW M6X16 (10 PCS.)	6	
42	321329	INDICATOR	1	
43	321342	SPACER (A)	1	
44	321341	SHAFT (A)	1	(TILL 08.2008)
44A	329416	SHAFT (A)	1	(SINCE 09.2008)
45A	322283	SIDE HANDLE	1	
46	321337	SHAFT (C)	1	(TILL 08.2008)
46A	329415	SHAFT (C)	1	(SINCE 09.2008)
47	875249	THRUST WASHER	2	
48	987860	SEAL LOCK HEX. SOCKET SET SCREW M6X6	1	
49	321339	LEVER SHAFT	1	

**Parts**

C10FSB

ITEM NO.	CODE NO.	DESCRIPTION	NO. USED	REMARKS
50	321338	LEVER	1	
51	321340	SPRING (D)	1	
52	321345	FENCE (A)	1	
53B	330768	TABLE ASS'Y	1	INCLUD.9-10.26A-34A.40.41A.43.44A. 46A-51.61-63 EXCEPT FOR USA.CAN.MEX (TILL 01.2012 FOR USA.CAN.MEX)
*53C	334463	TABLE ASS'Y	1	INCLUD.9.10.26B-34A.40A.41A.43.44A. 46A-51.61-63 (SINCE 02.2012 FOR USA.CAN. MEX)
54	312672	BASE RUBBER	4	
55	315210	SCALE (A)	1	
56A	960017	KNOB BOLT M6X32	1	EXCEPT FOR USA.CAN.AUS.NZL
57	987860	SEAL LOCK HEX. SOCKET SET SCREW M6X6	2	EXCEPT FOR USA.CAN.AUS.NZL
58	321552	PIN	2	EXCEPT FOR USA.CAN.AUS.NZL
59		CAUTION LABEL (Q)	1	EXCEPT FOR USA.CAN.AUS.NZL
60	322617	SUB FENCE (A) ASS'Y	1	INCLUD.56-59 EXCEPT FOR USA.CAN.AUS.NZL
61	324395	COVER (B)	1	(SINCE 09.2008)
62	949429	BOLT WASHER M4 (10 PCS.)	1	(SINCE .09.2008)
63	949215	MACHINE SCREW M4X8 (10 PCS.)	1	(SINCE 09.2008)
64	949457	SPRING WASHER M8 (10 PCS.)	1	
65	949433	BOLT WASHER M8 (10 PCS.)	1	
71	996227	PACKING COVER	2	
72	949429	BOLT WASHER M4 (10 PCS.)	5	
73	949215	MACHINE SCREW M4X8 (10 PCS.)	4	
74A	332818	HINGE (B) ASS'Y	1	INCLUD.89A.100A
*74A	332816	HINGE (B) ASS'Y	1	INCLUD.89A.100A TILL 01.2012 FOR USA.CAN .MEX
*74A	332817	HINGE (B) ASS'Y	1	INCLUD.89A.100A FOR AUS.NZL
74B	334460	HINGE (B) ASS'Y	1	INCLUD.89B.100A SINCE 02.2012 FOR USA. CAN.MEX
75A	334337	SLEEVE	1	
76	321332	SPRING	1	
77	961554	HEX. SOCKET SET SCREW M8X10	1	
78	302518	STOPPER PIN ASS'Y	1	INCLUD.79
79	984528	O-RING (P-6)	1	
80	949312	WING NUT M8 (10 PCS.)	1	
81	949633	BOLT M8X50 (10 PCS.)	1	
82	320141	HINGE SHAFT (A)	1	
83	949237	MACHINE SCREW M5X12 (10 PCS.)	1	
84	949454	SPRING WASHER M5 (10 PCS.)	1	
85	998980	SPACER	1	
*86	322199	LINK	1	
*86	321368	LINK	1	FOR USA.CAN.MEX
87	949217	MACHINE SCREW M4X12 (10 PCS.)	1	
88	948614	NYLON CLIP	1	
*88	948193	NYLON CLIP	1	FOR USA.CAN.MEX
89A	331419	SUPPORT	1	EXCEPT FOR USA.CAN.MEX (TILL 01.2012 FOR USA.CAN.MEX)
89B	334458	SUPPORT	1	SINCE 02.2012 FOR USA.CAN.MEX
90	321347	BALL BUSHING	1	
91	996226	FELT	2	
92	996223	BUSHING	2	
93	949568	LOCK NUT M8 (10 PCS.)	2	
94	974500	HEX. SOCKET SET SCREW M8X16	2	
95	302459	WING BOLT M6X17	1	
96	947859	LOCK SPRING	1	
97	963174	CLAMP PIECE (B)	1	
98	320206	CAUTION LABEL (A)	1	
99	321375	HOLDER (A)	1	EXCEPT FOR USA.CAN.MEX (TILL 01.2012 FOR USA.CAN.MEX)
99A	334462	HOLDER (A)	1	SINCE 02.2012 FOR USA.CAN.MEX
100	949686	ROLL PIN D6X40 (10 PCS.)	2	(TILL 08.2010)

## Parts

C10FSB

ITEM NO.	CODE NO.	DESCRIPTION	NO. USED	REMARKS
100A	961554	HEX. SOCKET SET SCREW M8X10	2	(SINCE 09.2010)
101	321329	INDICATOR	2	
102	303409	NYLOCK BOLT M8X25	1	
103	307956	SEAL LOCK HEX. SOCKET SET SCREW M6X10	2	
104A	305558	TAPPING SCREW (W/FLANGE) D5X25 (BLACK)	1	FOR USA.CAN.MEX
105	321333	GUARD (A)	1	EXCEPT FOR USA.CAN
105A	324372	GUARD ASS'Y	1	INCLUD.104A FOR USA.CAN.MEX
106A	331845	GUARD HOLDER	1	
107	500234Z	CORD	1	
*107	500241Z	CORD	1	FOR USA.CAN.MEX
*107	500435Z	CORD	1	FOR GBR (230V)
*107	500463Z	CORD	1	FOR GBR (110V)
*107	500447Z	CORD	1	FOR SUI
*107	500439Z	CORD	1	FOR AUS.NZL
108	960092	WAVE WASHER	1	FOR USA.CAN.MEX
109	322210	LINER (A)	1	FOR USA.CAN.MEX
110	949332	FLAT HD. SCREW M5X12 (10 PCS.)	2	EXCEPT FOR USA.CAN
				FOR EUROPE (SINCE 07.2004)
111	322206	SUB COVER	1	FOR AUS.NZL
				FOR EUROPE (SINCE 07.2004)
121	938051	CORD ARMOR D10.1	1	
122	937631	CORD CLIP	1	
123	984750	TAPPING SCREW (W/FLANGE) D4X16	3	
124	321392	HANDLE (L)	1	EXCEPT FOR USA.CAN
124A	333986	HANDLE (L)	1	FOR USA.CAN
125	305558	TAPPING SCREW (W/FLANGE) D5X25 (BLACK)	3	
126	321355	SHEET	1	
127A	321354	CONTROLLER 100V-120V	1	
127A	322200	CONTROLLER 220V-240V	1	
128	930804	TERMINAL M4.0 (10 PCS.)	1	
129	321393	HANDLE (R)	1	
130	301653	TAPPING SCREW (W/FLANGE) D4X20 (BLACK)	6	
131	880734	MACHINE SCREW (W/WASHERS) M5X25 (BLACK)	4	
132	321383	PULLEY COVER	1	
133	959141	CONNECTOR 50092 (10 PCS.)	2	FOR USA.CAN.MEX.AUS.NZL
134	980063	TERMINAL	1	
*135	322884	SWITCH HANDLE (L2).(R2) SET	1	(SINCE 04.2007 FOR AUS.NZL)
*135	321381	SWITCH HANDLE (R)	1	FOR USA.CAN.MEX(TILL03.2007 FOR AUS.NZL)
136	321356	PULLEY (A)	1	
137	949426	WASHER M8 (10 PCS.)	2	
138	978559	SUPER LOCK WASHER	2	
139	949558	NUT M8 (10 PCS.)	2	
140	6201VV	BALL BEARING 6201VVCMP2L	1	
141	307731	COVER	1	
142	949322	FLAT HD. SCREW M4X10 (10 PCS.)	2	
143	321357	PULLEY (B)	1	
144A	332810	BELT (10PH432)	1	
*145	998868	SWITCH (2P PILLAR TYPE) W/O LOCK	1	
*145	998839	SWITCH (1P PILLAR TYPE) W/LOCK	1	FOR USA.CAN.MEX
*146	981373	TUBE (D)	4	
*146	981373	TUBE (D)	3	FOR USA.CAN.MEX
*147	322207	INTERNAL WIRE (A) ASS'Y	1	INCLUD.134.146
147A	321532	INTERNAL WIRE (B) ASS'Y	1	INCLUD.134.146 FOR USA.CAN.MEX
148	930703	BRUSH TERMINAL	2	INCLUD.134.146 FOR USA.CAN.MEX
*149	340539D	STATOR ASS'Y 120V	1	INCLUD.148 TILL 5.2011 FOR USA.CAN.MEX
149A	340778D	STATOR ASS'Y 120V-127V	1	INCLUD.148 SINCE 6.2011 FOR USA.CAN.MEX
*149A	340779C	STATOR ASS'Y (A) 110V	1	INCLUD.148
*149A	340779F	STATOR ASS'Y (A) 220V-240V	1	INCLUD.148 EXCEPT FOR EUROPE.
*149A	340779F			TILL 8.2010 FOR EUROPE
*149A	340811E	STATOR ASS'Y (B) 230V	1	INCLUD.148 FOR EUROPE

Parts

C10FSB

ITEM NO.	CODE NO.	DESCRIPTION	NO. USED	REMARKS
150	953174	HEX. HD. TAPPING SCREW D5X55	2	
151	608VVM	BALL BEARING 608VVC2NS7L	1	
*152A	360898U	ARMATURE ASS'Y 110V	1	INCLUD.151.196 FOR GBR (110V)
*152A	360588U	ARMATURE ASS'Y 110V-120V	1	INCLUD.151.196 TILL 6.2011 FOR USA.CAN.
*152A	360588U			MEX
*152A	360898E	ARMATURE ASS'Y 220V-230V	1	INCLUD.151.196 EXCEPT FOR EUROPE.
*152A	360898E			TILL 8.2010 FOR EUROPE
*152A	360924E	ARMATURE ASS'Y 230V	1	INCLUD.151.196 FOR EUROPE
*152A	360898F	ARMATURE ASS'Y 240V	1	INCLUD.151.196
152B	360924U	ARMATURE ASS'Y 120V-127V	1	INCLUD.151.196 SINCE 6.2011 FOR USA.CAN.
153A	946362	BEARING LOCK	1	
154	945161	BRUSH CAP	2	
155	999043	CARBON BRUSH (1 PAIR)	2	
*156	960685	BRUSH HOLDER	2	
*156	958900	BRUSH HOLDER	2	FOR USA.CAN.MEX
157	938477	HEX. SOCKET SET SCREW M5X8	2	
*158	322208	HOUSING ASS'Y	1	INCLUD.156.157
*158	321379	HOUSING ASS'Y	1	INCLUD.156.157 FOR USA.CAN.MEX
159	996247	MACHINE SCREW (W/WASHERS) M5X12 (BLACK)	1	
160	998980	SPACER	1	
161	996577	BOLT (W/WASHERS) M6X12 (BLACK)	1	
*162	318958	SPINDLE COVER	1	FOR USA.CAN. AUS
*162	322622	SPINDLE COVER (A)	1	EXCEPT FOR NZL FOR EUROPE (TILL 06.2004)
163	949258	MACHINE SCREW M6X20 (10 PCS.)	1	
164	606ZZM	BALL BEARING 606VVC2	1	
165	949455	SPRING WASHER M6 (10 PCS.)	1	
166	949425	WASHER M6 (10 PCS.)	1	
167		HITACHI LABEL	1	
168		WARNING LABEL (G)	1	FOR USA.CAN.MEX
169	304043	MACHINE SCREW (W/WASHERS) M4X10 (BLACK)	1	
170	877839	SEAL LOCK HEX. SOCKET HD. BOLT M5X10	1	
171	321384	GEAR CASE	1	EXCEPT FOR USA.CAN.MEX (TILL 01.2012 FOR USA.CAN.MEX)
171A	334461	GEAR CASE	1	SINCE 02.2012 FOR USA.CAN.MEX
172		CAUTION LABEL (M)	1	FOR AUS.NZL.MEX
*173	322443	TCT SAW BLADE 255MM-D30 HOLE-NT40	1	
173		TCT SAW BLADE 262MM-D25.4 HOLE-NT60	1	FOR AUS.NZL.KOR
*173	310878	TCT SAW BLADE 255MM-D15.88 HOLE-NT40	1	FOR USA.CAN.MEX
174	308789	WASHER (D)	2	FOR USA.CAN.MEX.AUS.NZL.KOR
175	307731	COVER	1	
*176	322452	LOWER GUARD	1	(SINCE 04.2007 FOR AUS.NZL)
*176	321367	SAFETY COVER	1	FOR USA.CAN.MEX(TILL03.2007 FOR AUS.NZL)
*177	322453	RETURN SPRING (A)	1	(SINCE 04.2007 FOR AUS.NZL)
177A	322453	RETURN SPRING (A)	1	
178	949241	MACHINE SCREW M5X20 (10 PCS.)	2	
179	949454	SPRING WASHER M5 (10 PCS.)	2	
180	998335	BOLT (LEFT HAND) W/WASHER M7X17.5	1	
181	949322	FLAT HD. SCREW M4X10 (10 PCS.)	2	
182	308787	SPINDLE ASS'Y	1	INCLUD.183-186
183	6003DD	BALL BEARING 6003DDCMPS2S	1	
184	308788	BEARING HOLDER	1	
185	608VVM	BALL BEARING 608VVC2PS2L	2	
186		PINION	1	
187	931008	FEATHER KEY 4X4X12	1	
188	949555	NUT M5 (10 PCS.)	1	TILL 12.2004 EXCEPT FOR NZL
189	988821	LOCK SPRING	1	
190	307732	STOPPER PIN	1	
191		NAME PLATE	1	
*192	322454	DUST GUIDE	1	
*192	321364	DUST GUIDE	1	FOR USA.CAN.MEX





