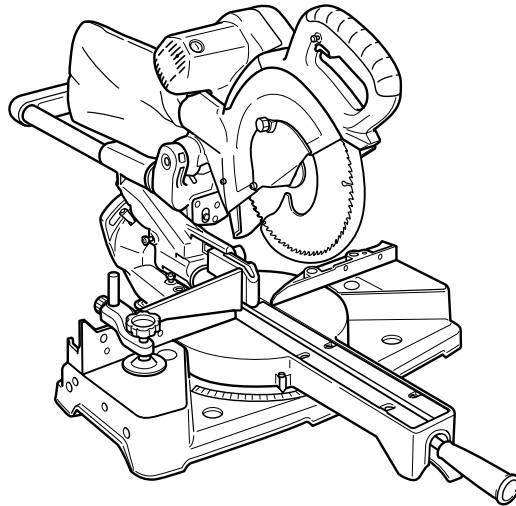


HITACHI

Model	C 10FSH	(Laser Marker Equipment)	Slide Compound Saw
Modèle		(Équipement à marqueur laser)	Scie à coupe d'onglet radiale
Modelo	C 10FSB	(Equipo con marcador láser)	Tronzadora radial abatible



SAFETY INSTRUCTIONS AND INSTRUCTION MANUAL

⚠ WARNING

IMPROPER OR UNSAFE use of this power tool can result in death or serious bodily injury! This manual contains important information about product safety. Please read and understand this manual **BEFORE** operating the power tool. Please keep this manual available for other users and owners before they use the power tool. This manual should be stored in safe place.

INSTRUCTIONS DE SECURITE ET MODE D'EMPLOI

⚠ AVERTISSEMENT

Une utilisation **INCORRECTE OU DANGEREUSE** de cet outil motorisé peut entraîner la mort ou de sérieuses blessures corporelles!
Ce mode d'emploi contient d'importantes informations à propos de la sécurité de ce produit. Prière de lire et de comprendre ce mode d'emploi **AVANT** d'utiliser l'outil motorisé. Garder ce mode d'emploi à la disponibilité des autres utilisateurs et propriétaires avant qu'ils utilisent l'outil motorisé. Ce mode d'emploi doit être conservé dans un endroit sûr.

INSTRUCCIONES DE SEGURIDAD Y MANUAL DE INSTRUCCIONES

⚠ ADVERTENCIA

¡La utilización **INAPROPIADA O PELIGROSA** de esta herramienta eléctrica puede resultar en lesiones de gravedad o la muerte!
Este manual contiene información importante sobre la seguridad del producto. Lea y comprenda este manual **ANTES** de utilizar la herramienta eléctrica. Guarde este manual para que puedan leerlo otras personas antes de utilizar la herramienta eléctrica. Este manual debe ser guardado en un lugar seguro.



DOUBLE INSULATION
DOUBLE ISOLATION
AISLAMIENTO DOBLE

Hitachi Koki

CONTENTS

English	PAGE	PAGE	
IMPORTANT SAFETY INFORMATION	3	APPLICATIONS	10
MEANINGS OF SIGNAL WORDS	3	PREPARATION BEFORE OPERATION	11
SAFETY	3	BEFORE USING	12
IMPORTANT SAFETY INSTRUCTIONS FOR		BEFORE CUTTING	13
USING ALL POWER TOOLS	3	PRACTICAL APPLICATIONS	18
REPLACEMENT PARTS	6	SAW BLADE MOUNTING AND	
USE PROPER EXTENSION CORD	7	DISMOUNTING	26
DOUBLE INSULATION FOR SAFER OPERATION ...	7	MAINTENANCE AND INSPECTION	27
OPERATION AND MAINTENANCE	8	SERVICE AND REPAIRS	28
NAME OF PARTS	8	PARTS LIST	86
SPECIFICATIONS	9		
ACCESSORIES	10		

TABLE DES MATIERES

Français	PAGE	PAGE	
INFORMATIONS IMPORTANTES		SPÉCIFICATIONS	36
DE SÉCURITÉ	29	ACCESSOIRES	37
SIGNIFICATION DES MOTS		APPLICATIONS	37
D'AVERTISSEMENT	29	PRÉPARATION AVANT L'UTILISATION	38
SECURITE	29	AVANT L'UTILISATION	39
CONSIGNES DE SECURITE RELATIVES AUX		AVANT LA COUPE	40
OUTILS ÉLECTRIQUES	29	APPLICATIONS PRATIQUES	45
PIECES DE RECHANGE	33	INSTALLATION ET RETRAIT DE LA LAME	53
UTILISER LE CORDON DE		ENTRETIEN ET INSPECTION	54
RALLONGE APPROPRIÉ	33	SERVICE APRÈS-VENTE ET RÉPARATIONS	56
DOUBLE ISOLATION POUR UN			
FONCTIONNEMENT PLUS SUR	33		
UTILISATION ET ENTRETIEN	35		
NOM DES PIÈCES	35		

ÍNDICE

Español	PÁGINA	PÁGINA	
INFORMACIÓN IMPORTANTE SOBRE		ACCESORIOS	65
SEGURIDAD	57	APLICACIONES	65
SIGNIFICADO DE LAS PALABRAS DE		PREPARATIVOS PREVIOS A LA OPERACIÓN	66
SEÑALIZACIÓN	57	ANTES DE LA UTILIZACIÓN	67
SEGURIDAD	57	ANTES DEL CORTE	68
NORMAS DE SEGURIDAD PARA LAS		APLICACIONES PRÁCTICAS	73
HERRAMIENTAS ELÉCTRICAS	57	MONTAJE Y DESMONTAJE DE LA	
PIEZAS DE REEMPLAZO	61	HOJA DE SIERRA	82
UTILICE EL CABLE PROLONGADOR		MANTENIMIENTO E INSPECCIÓN	83
ADECUADO	62	SERVICIO Y REPARACIONES	85
AISLAMIENTO DOBLE PARA OFRECER UNA			
OPERACIÓN MÁS SEGURA	62		
OPERACIÓN Y MANTENIMIENTO	63		
NOMENCLATURA DE PARTES	63		
ESPECIFICACIONES	64		

IMPORTANT SAFETY INFORMATION

Read and understand all of the safety precautions, warnings and operating instructions in the Instruction Manual before operating or maintaining this power tool.

Most accidents that result from power tool operation and maintenance are caused by the failure to observe basic safety rules or precautions. An accident can often be avoided by recognizing a potentially hazardous situation before it occurs, and by observing appropriate safety procedures.

Basic safety precautions are outlined in the "SAFETY" section of this Instruction Manual and in the sections which contain the operation and maintenance instructions.

Hazards that must be avoided to prevent bodily injury or machine damage are identified by WARNINGS on the power tool and in this Instruction Manual.

NEVER use this power tool in a manner that has not been specifically recommended by HITACHI.

MEANINGS OF SIGNAL WORDS

WARNING indicates a potentially hazardous situations which, if ignored, could result in death or serious injury.

CAUTION indicates a potentially hazardous situations which, if not avoided, may result in minor or moderate injury, or may cause machine damage.

NOTE emphasizes essential information.

SAFETY

IMPORTANT SAFETY INSTRUCTIONS FOR USING ALL POWER TOOLS

READ ALL OF THE WARNINGS AND OPERATING INSTRUCTIONS IN THIS MANUAL BEFORE OPERATING OR MAINTAINING THIS TOOL:

⚠ WARNING: When using this electric tool, take all necessary precautions to minimize the risk of electric shock or other personal injury.
In particular, always comply with the following safety rules:

1. **ALWAYS KEEP GUARDS IN PLACE** and in working order.
2. **ALWAYS REMOVE ADJUSTING KEYS AND WRENCHES BEFORE STARTING TOOL.** Always confirm that all keys and adjusting wrenches have been removed from the tool before it is turned on.
3. **ALWAYS KEEP WORK AREA CLEAN.** Avoid injuries by not cluttering the work areas and work benches.
4. **NEVER USE TOOL IN HAZARDOUS ENVIRONMENTS.** Never use the power tool in damp or wet places and never expose it to rain. Always keep the work area well lighted.
5. **NEVER PERMIT CHILDREN OR OTHERS TO LOITER NEAR THE WORK AREA.** Keep all people (especially children) away from the work area. Always unplug unattended tools and keep the work place tamper-proof by installing locks on the doors and on the master switches. Always remove the lock-off button from the tool and store it in a secure place, when the tool is not in use.
6. **NEVER FORCE THE TOOL.** It will do the job better and more safely if it is operated at the rate for which it was designed.
7. **ALWAYS USE THE RIGHT TOOLS.** Never force a tool or an attachment to do a job for which it was not designed.
8. **ALWAYS WEAR PROPER APPAREL WHEN WORKING WITH THE TOOL.** Never wear loose clothing, gloves, neckties, rings, bracelets or other jewelry which may get caught in the moving parts. Always wear non-slip footwear, preferably with steel toes. Wear protective hair covering to contain long hair.

9. **ALWAYS USE EYE PROTECTION WHEN WORKING WITH THE TOOL TO PREVENT EYE INJURY.** Ordinary eyeglasses do not provide adequate protection because the lenses are not made of safety glass. Also, use a face mask for additional safety and wear a dust mask if the cutting operation produces dust.
10. **ALWAYS SECURE THE WORKPIECE TO THE FENCE OR THE TABLE.** Use clamps or a vise to hold the workpiece in place. It is safer than using your hand and it frees both hands to operate the tool.
11. **NEVER OVERREACH.** Always keep proper footing and balance when working with the tool.
12. **ALWAYS MAINTAIN TOOLS WITH CARE.** Always keep tools sharp and clean for the best and safest performance. Always follow instructions for lubricating the tool and for changing accessories.
13. **ALWAYS DISCONNECT THE TOOL** before servicing and before changing blades or other accessories.
14. **NEVER RISK UNINTENTIONAL STARTING WHEN PLUGGING IN THE TOOL.** Always confirm that the switch is in the OFF position before inserting the power plug into the receptacle.
15. **ALWAYS USE RECOMMENDED ACCESSORIES ONLY WHEN OPERATING THIS TOOL.** Consult this instruction manual for descriptions of recommended accessories. To avoid personal injuries, use only recommended accessories in conjunction with this tool.
16. **NEVER STAND ON THE TOOL.** Prevent serious injury by not tipping the tool and by not risking unintentional contact with the saw blade.
17. **ALWAYS CHECK FOR DAMAGED PARTS BEFORE USING THE TOOL.** Always check the guard and all other components for damage before using the tool to assure that they will function properly. Check all moving parts for proper alignment, freedom from binding and other conditions that might affect proper operation. Always repair or replace any damaged guards or other damaged components before using the tool.
18. **ALWAYS CONFIRM THE ROTATION DIRECTION OF THE BLADE BEFORE USING THE TOOL.** Always feed work into the tool against the rotation direction of the blade in order to prevent possible injury.
19. **NEVER LEAVE THE TOOL RUNNING WHILE UNATTENDED. TURN POWER OFF.** Do not leave tool until it comes to a complete stop. Always turn the power off when the tool is not in use. Always unplug the power cord when the tool is not in use.
20. This tool was not designed to be used for mass-production applications and should not be used in mass-production environments.
21. When servicing this tool, use only authorized replacement parts.
22. Apply 120 volts AC only to this tool. Applying the wrong voltage or applying DC power can cause the POWER TOOL to operate improperly and cause serious personal injury or damage to the tool.
23. Never raise the saw blade from the workpiece until it has first come to a complete stop.
24. Always use outboard stands to provide support for long workpieces that overhang the table of the slide compound saw.
25. Always return the carriage to the full rear position after each crosscut operation in order to reduce the risk of injury.
26. **POLARIZED PLUGS** To reduce the risk of electric shock, this equipment has a polarized plug (one blade is wider than the other). This plug will fit in a polarized outlet only one way. If the plug does not fit fully in the outlet, reverse the plug. If it still does not fit, contact a qualified electrician to install the proper outlet. Do not change the plug in any way.

Specific Safety Rules for Use of this Power Tool

⚠ WARNING: The following specific operating instructions must be observed when using this POWER TOOL in order to avoid injury:

DO's

ALWAYS OBSERVE THE FOLLOWING RULES TO ASSURE SAFE USE OF THIS TOOL:


1. Review this Manual and familiarize yourself with the safety rules and operating instructions for this POWER TOOL before attempting to use it.
2. Always confirm that the POWER TOOL is clean before using it.

3. Always wear snug-fitting clothing, non-skid footwear (preferably with steel toes) and eye protection when operating the POWER TOOL.
4. Always handle the POWER TOOL carefully. If the POWER TOOL falls or strikes against a hard object, it might become deformed or cracked or sustain other damage.
5. Always cease operating the saw at once, if you notice any abnormality whatsoever.
6. Always confirm that all components are mounted properly and securely before using the tool.
7. When replacing the saw blade, always confirm that the rpm rating of the new blade is correct for use on this tool.
8. Always shut off the power and wait for the saw blade to completely stop rotating before doing any maintenance or adjustments.
9. During slide cutting, always push the saw blade away from the operator.
10. Always clamp or otherwise secure the workpiece to the fence; otherwise the workpiece might be thrust from the table and cause bodily harm.
11. During miter or bevel cutting, always wait for the rotation of the blade to stop completely before lifting the saw blade.
12. Always make a trial run first before attempting any new use of the saw.
13. Always handle the saw blade with care when dismounting and mounting it.
14. Always confirm that the workpiece is free of nails or other foreign objects before beginning a cut.
15. Always keep your hands out of the path of the saw blade.
16. Always confirm that the safety cover is in the proper place before using the saw.
17. Always confirm that the safety cover does not obstruct the sliding motion of the saw before attempting slide cutting.
18. Inspect the tool power cords periodically.
19. Always confirm that the proper lengths and types of extension cords are being utilized, if necessary, before starting the tool.
20. Always confirm that the motor air vents are fully open before using the tool.
21. Always wait until the motor has reached full speed before starting a cut.
22. Always keep the handles dry, clean and free of oil and grease. Hold the tool firmly when in use.
23. Always use outboard stands to provide support for long workpieces that overhang the table of the slide compound saw.
24. Always operate the tool after ensuring the workpiece is fixed properly with a vise assembly.
25. The operating instructions provided with the tool shall direct the user to secure the tool to supporting structure if, during normal operation, there is a tendency for the tool to tip over, slide, or walk on the supporting surface.

DON'Ts

NEVER VIOLATE THE FOLLOWING RULES TO ASSURE SAFE USE OF THIS TOOL:

1. Never operate the POWER TOOL unless you fully understand the operating instructions contained in this Manual.
2. Never leave the POWER TOOL unattended without first unplugging the power cord.
3. Never operate the POWER TOOL when you are tired, after you have taken any medications, or have consumed any alcoholic beverages.
4. Never use the POWER TOOL for applications not specified in the instruction manual.
5. Never operate the tool while wearing loose clothing, a necktie or jewelry, or while your hair is uncovered, to protect against getting caught in the moving machinery.
6. Never reach around the saw blade.
7. Never touch any moving parts, including the blade, while the saw is in use.
8. Never remove any safety devices or blade guards; use of the tool without them would be hazardous.

9. Never lock the safety cover; always confirm that it slides smoothly before using the tool.
10. Never damage the power cord of the tool.
11. Never attempt to move a plugged-in POWER TOOL while your finger is on the starting switch.
12. Never use the POWER TOOL if the starting switch does not turn on and off properly.
13. Never use the POWER TOOL if the plastic housing or the handle is cracked or deformed.
14. Never use the POWER TOOL near flammable liquids or gases because sparking can cause an explosion.
15. Never clean plastic components with solvents because the plastic may dissolve.
16. Never operate the saw unless all the blade guards are in place.
17. Never raise the saw blade from the workpiece until it has first come to a complete stop.
18. When slide cutting, never pull the handle toward the operator, since this could cause the saw blade to kick up from the workpiece. Always push the handle away from the operator in a single, smooth motion.
19. Never place your limbs inside of the line next to warning sign "  " while the tool is being operated. This may cause hazardous conditions.
20. Never use abrasive type blades on this saw.
21. Never expose to rain or use in damp locations.
22. Never cut ferrous metals or masonry.

WARNING

FOR YOUR OWN SAFETY READ THIS INSTRUCTION MANUAL BEFORE OPERATING THE SLIDE COMPOUND SAW

1. Always wear eye protection when using the slide compound saw.
2. Always keep hands out of the path of the saw blade.
3. Never operate the saw without the guards in place.
4. Never perform any freehand operation with the slide compound saw.
5. Never reach around the saw blade.
6. Always turn off tool and wait for saw blade to stop before moving workpiece or changing settings.
7. Always disconnect power before changing blade or servicing.
8. Saw blade diameter is 10" (255mm).
9. No load speed is 3800/min.
10. To reduce the risk of injury, return carriage to the full rear position after each crosscut operation.

REPLACEMENT PARTS

When servicing use only identical replacement parts.
Repairs should be conducted only by a Hitachi authorized service center.

USE PROPER EXTENSION CORD

Make sure your extension cord is in good condition. When using an extension cord, be sure to use one heavy enough to carry the current your product will draw. An undersized cord will cause a drop in line voltage resulting in loss of power and overheating. Table shows the correct size to use depending on cord length and nameplate ampere rating. If in doubt, use the next heavier gage. The smaller the gage number, the heavier the cord.

		MINIMUM GAGE FOR CORD SETS			
		Total Length of Cord in Feet (Meter)			
		0 – 25 (0 – 7.6)	26 – 50 (7.9 – 15.2)	51 – 100 (15.5 – 30.5)	101 – 150 (30.8 – 45.7)
Ampere More Than	Rating Not More Than	AWG			
	0 – 6	18	16	16	14
	6 – 10	18	16	14	12
	10 – 12	16	16	14	12
	12 – 16	14	12	Not Recommended	

⚠ WARNING: Avoid electrical shock hazard. Never use this tool with a damaged or frayed electrical cord or extension cord.
Inspect all electrical cords regularly. Never use in or near water or in any environment where electric shock is possible.

DOUBLE INSULATION FOR SAFER OPERATION

To ensure safer operation of this power tool, HITACHI has adopted a double insulation design. "Double insulation" means that two physically separated insulation systems have been used to insulate the electrically conductive materials connected to the power supply from the outer frame handled by the operator. Therefore, either the symbol "⊞" or the words and "Double insulation" appear on the power tool or on the nameplate. Although this system has no external grounding, you must still follow the normal electrical safety precautions given in this Instruction Manual, including not using the power tool in wet environments.

To keep the double insulation system effective, follow these precautions:

- * Only HITACHI AUTHORIZED SERVICE CENTER should disassemble or assemble this power tool, and only genuine HITACHI replacement parts should be installed.
- * Clean the exterior of the power tool only with a soft cloth moistened with soapy water and dry thoroughly.
- * Never use solvents, gasoline or thinners on plastic components; otherwise the plastic may dissolve.

**SAVE THESE INSTRUCTIONS
AND
MAKE THEM AVAILABLE TO
OTHER USERS
AND
OWNERS OF THIS TOOL!**

OPERATION AND MAINTENANCE

NOTE: The information contained in this Instruction Manual is designed to assist you in the safe operation and maintenance of the power tool. Some illustrations in this Instruction Manual may show details or attachments that differ from those on your own power tool.

NAME OF PARTS

MODEL C10FSH/MODEL C10FSB

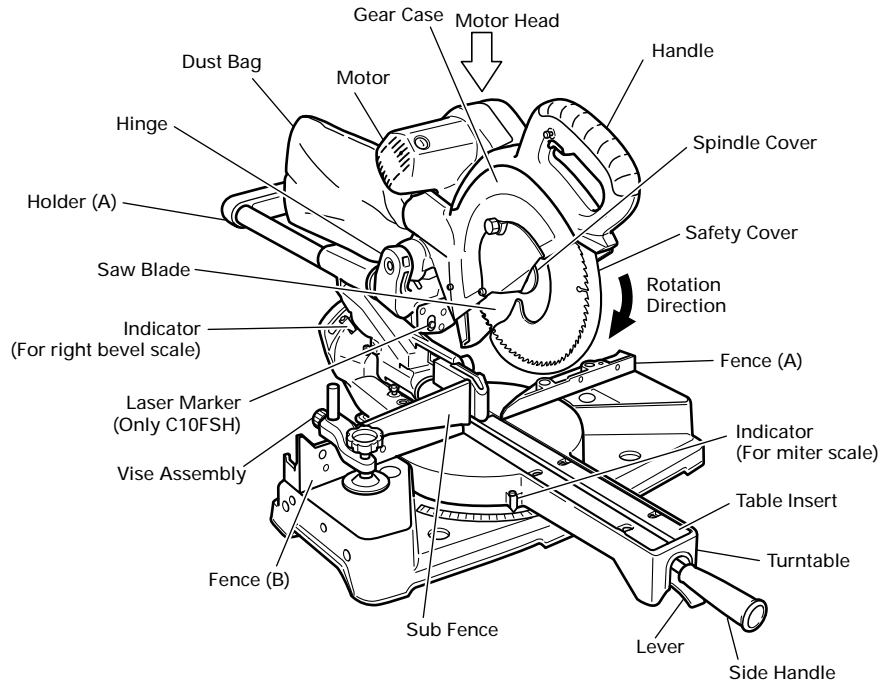


Fig. 1

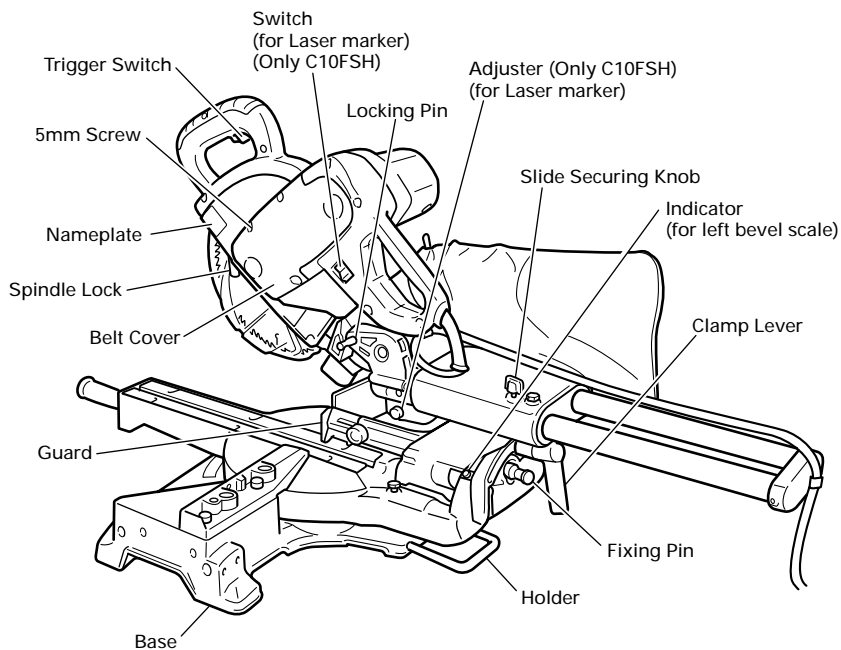


Fig. 2

SPECIFICATIONS

Item	Model	C 10FSH / C 10FSB			
Motor	Type	Series commutator motor			
	Power source	Single-phase AC 60Hz			
	Voltage (Volts)	120			
	Full-load current (Amp)	12			
Laser Marker (Only Model C10FSH)	Maximum output	<1mW CLASS II Laser Product			
	Wave length	400~700 nm			
	Laser medium	Laser Diode			
Applicable saw blade	Outside Dia. 10" (255mm) Hole Dia. 5/8" (15.9mm)				
No load speed	3800/min				
Max. sawing dimension	Miter	Head	Turntable	Max. sawing dimension	
		0	0	Max. Height	3-11/32" (85mm)
				Max. Width	12-9/32" (312mm)
				or	
				* Max. Height	3-9/16" (90mm)
				Max. Width	11" (280mm)
				With aux. board	19/32" (15mm)
		0	Left 45° or Right 45°	Max. Height	3-11/32" (85mm)
				Max. Width	8-19/32" (218mm)
				or	
				* Max. Height	3-9/16" (90mm)
				Max. Width	7-1/2" (190mm)
				With aux. board	19/32" (15mm)
		0	Right 57°	Max. Height	3-11/32" (85mm)
				Max. Width	6-1/2" (165mm)
				or	
				* Max. Height	3-9/16" (90mm)
				Max. Width	5-25/32" (147mm)
				With aux. board	13/32" (10mm)
	Bevel	Left 45°	0	Max. Height	2-3/16" (55mm)
				Max. Width	12" (305mm)
				or	
				* Max. Height	2-3/8" (60mm)
				Max. Width	11" (280mm)
				With aux. board	19/32" (15mm)
		Right 45°	0	Max. Height	1-3/16" (30mm)
				Max. Width	12" (305mm)
				or	
				* Max. Height	1-3/8" (35mm)
				Max. Width	11" (280mm)
				With aux. board	19/32" (15mm)
	Compound	Left 45°	Left 45° or Right 45°	Max. Height	2-3/16" (55mm)
				Max. Width	8-19/32" (218mm)
				or	
				* Max. Height	2-3/8" (60mm)
				Max. Width	7-1/2" (190mm)
				With aux. board	19/32" (15mm)
		Right 45°	Left 31°	Max. Height	1-3/16" (30mm)
				Max. Width	10-7/32" (260mm)
				or	
				* Max. Height	1-3/8" (35mm)
				Max. Width	9-19/32" (230mm)
				With aux. board	19/32" (15mm)
		Right 45°	Right 45°	Max. Height	1-3/16" (30mm)
				Max. Width	8-19/32" (218mm)
				or	
				* Max. Height	1-3/8" (35mm)
				Max. Width	7-1/2" (190mm)
				With aux. board	19/32" (15mm)
Miter sawing range	Left 0° – 45° Right 0° – 57°				
Bevel sawing range	Left 0° – 45° Right 0° – 45°				
Compound sawing range	Left (Bevel) 0° – 45°, Left and Right (Miter) 0° – 45°				
	Right (Bevel) 0° – 45°, Left (Miter) 0° – 31°, Right (Miter) 0° – 45°				
Net weight	43lbs. (19.5kg)				
Cord	2 Conductor type cable 6ft. (1.8m)				

When cutting the workpiece which has the dimension of " * " there might be some possibility of the lower end of the circular saw to touch with the workpiece, even if the motor head is located at the lower limit position. Pay attention when cutting the workpiece. For further details, refer to "PRACTICAL APPLICATIONS" on page 18. Mount the auxiliary board on the fence surface (Refer () the thickness of auxiliary board). Refer to "5. Cutting large workpieces" on page 20 (Fig. 27).

ACCESSORIES

⚠ WARNING: Accessories for this power tool are mentioned in this Instruction Manual. The use of any other attachment or accessory can be dangerous and could cause injury or mechanical damage.

STANDARD ACCESSORIES

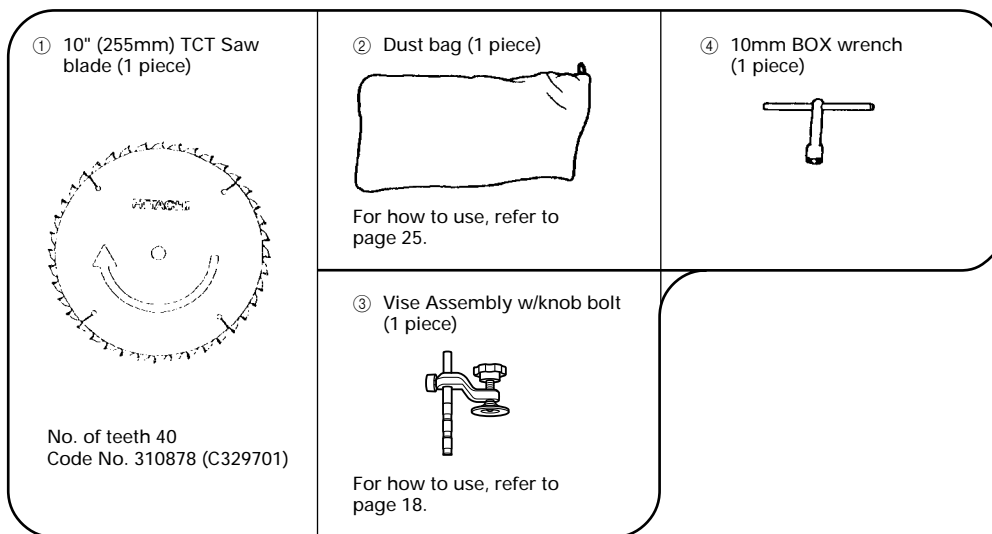


Fig. 3

OPTIONAL ACCESSORIES...sold separately

- ① Extension Holder and Stopper (Code No. 321553)
- ② Saw blade 10" (255mm) TCT Saw blade (Total teeth:72) (Code No. 725206)
- ③ Sub Fence (A) (Code No. 321387)
- ④ Crown molding Vise Ass'y (Code No. 321434) (Include Crown molding Stopper (L))
- ⑤ Crown molding Stopper (L) (Code No. 321374)
- ⑥ Crown molding Stopper (R) (Code No. 321373)

NOTE: Accessories are subject to change without any obligation on the part of the HITACHI.

APPLICATIONS

Wood and aluminum sash.

PREPARATION BEFORE OPERATION

Make the following preparations before operating the power tool:

1. Installation

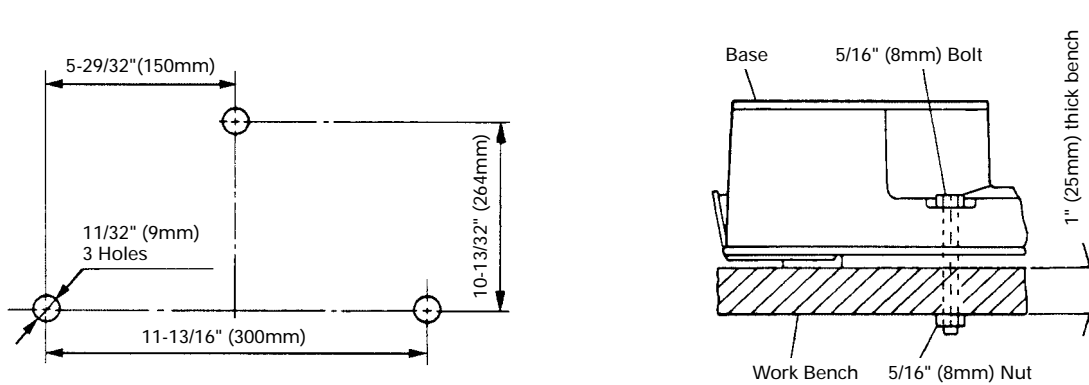


Fig. 4

Attach the power tool to a level, horizontal work bench in accordance with Fig. 4. Select 5/16" (8mm) diameter bolts suitable in length for the thickness of the work bench. Bolt length should be at least 1-9/16" (40mm) plus the thickness of the work bench. For example, use 2-9/16" (65mm) or larger bolts for a 1" (25mm) thick work bench. The holder attached to the rear of the base helps stabilize the power tool.

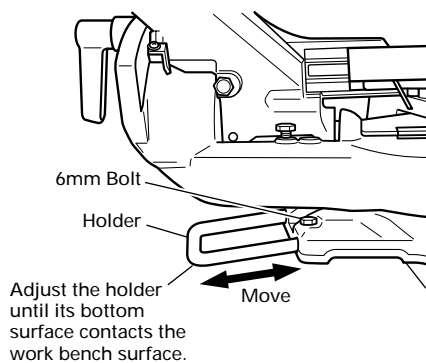


Fig. 5

Holder adjustment:

Loosen the 6mm bolt with the supplied 10mm box wrench. Adjust the holder until its bottom surface contacts the work bench surface. After adjustment, firmly tighten the 6mm bolt.

2. Releasing the locking pin

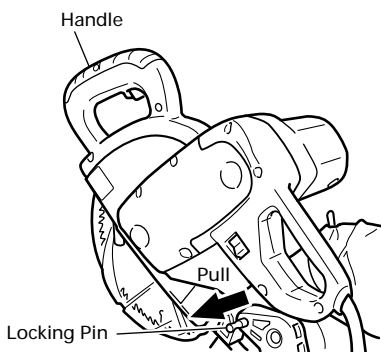


Fig. 6

When the power tool is prepared for shipping, its main parts are secured by a locking pin. Move the handle slightly so that the locking pin can be disengaged.

NOTE: Lowering the handle slightly will enable you to disengage the locking pin more easily and safely. The lock position of the locking pin is for carrying and storage only.

3. Installing the dust bag, holder, stopper and vises

(The holder and stopper are optional accessories.)

Attach the dust bag and vise assembly as indicated in Fig. 1 and Fig. 2.

BEFORE USING

1. Make sure the power source is appropriate for the tool.

⚠ WARNING: Never connect the power tool unless the available AC power source is of the same voltage as that specified on the nameplate of the tool.
Never connect this power tool to a DC power source.

2. Make sure the trigger switch is turned OFF.

⚠ WARNING: If the power cord is connected to the power source with the trigger switch turned ON the power tool will start suddenly and can cause a serious accident.

3. Check the saw blade for visible defects.

Confirm that the saw blade is free of cracks or other visible damage.

4. Confirm that the saw blade is attached securely to the power tool.

Using the supplied 10mm box wrench, tighten the bolt on the saw blade spindle to secure the saw blade.

For details, see Fig. 51-a, Fig. 51-b and Fig. 51-c in the section on "SAW BLADE MOUNTING AND DISMOUNTING".

5. Check the safety cover for proper operation.

Safety cover is designed to protect the operator from coming into contact with the saw blade during operation of the tool.

Always check that the safety cover moves smoothly and covers the saw blade properly.

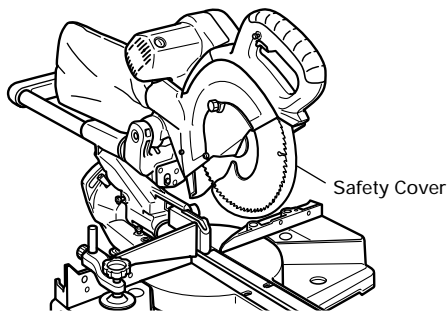


Fig. 7

⚠ WARNING: NEVER OPERATE THE POWER TOOL if the safety cover does not function smoothly.

6. Confirm the position of the spindle lock before using the tool.

After installing the saw blade, confirm that the spindle lock has been returned to the retract position before using the power tool (see Fig. 2).

7. Check the lower limit position of the Saw Blade.

Although it was adjusted before shipment, carefully check the height of the saw blade. Confirm that the saw blade can be lowered 13/32" to 7/16" (10mm to 11mm) below the table insert. For details, see the section on "Checking the saw blade lower limit position".

8. Check the Power Receptacle.

To prevent overheating, accidental stopping or intermittent operation, confirm that the power cord plug fits properly in the electrical receptacle and does not fall out after it is inserted. Repair or replace the receptacle if it is faulty.

9. Confirm the tool's power cord is not damaged.

Repair or replace the power cord if an inspection indicates that it is damaged

AFTER CONNECTING THE POWER PLUG TO AN APPROPRIATE AC POWER SOURCE, CHECK THE OPERATION OF THE TOOL AS FOLLOWS:

10. Trial Run

After confirming that no one is standing behind, the power tool start and confirm that no operating abnormalities exist before attempting a cutting operation.

11. Inspect the rotating stability of the saw blade.

For precise cutting, rotate the saw blade and check for deflection to confirm that the blade is not noticeably unstable; otherwise vibrations might occur and cause an accident.

BEFORE CUTTING

1. Positioning the table insert

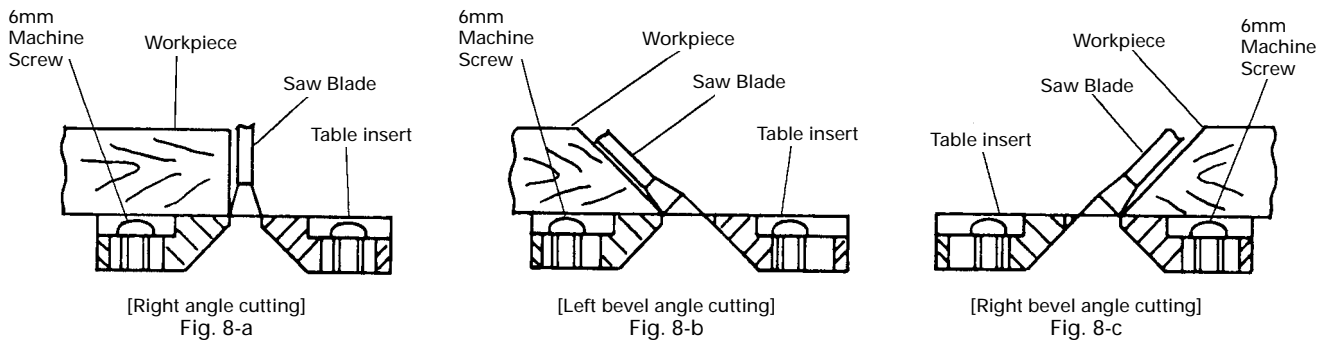


Table inserts are installed on the turntable. When shipping the tool from the factory, the table inserts are so fixed that the saw blade does not contact them. The burr of the bottom surface of the workpiece is remarkably reduced, if the table insert is fixed so that the gap between the side surface of the table insert and the saw blade will be minimum. Before using the tool, eliminate this gap in accordance with the following procedure.

(1) Right angle cutting

Loosen the three 6mm machine screws, then secure the left side table insert and temporarily tighten the 6mm machine screws of both ends. Then fix a workpiece (about 7-7/8" (200mm) wide) with the vise assembly and cut it off. After aligning the cutting surface with the edge of the table insert, securely tighten the 6mm machine screws of both ends. Remove the workpiece and securely tighten the 6mm center machine screw. Adjust the right hand table insert in the same way.

(2) Left and right bevel angle cutting

Adjust the table insert in the manner shown in Fig. 8-b and Fig. 8-c following the same procedure for right angle cutting.

⚠ CAUTION: After adjusting the table insert for right angle cutting, the table insert will be cut to some extent if it is used for bevel angle cutting.
When bevel cutting operation is required, adjust the table insert for bevel angle cutting.

2. Checking the saw blade lower limit position

Check that the saw blade can be lowered 13/32" to 7/16" (10mm to 11mm) below the table insert as shown in Fig. 9.

When you replace a saw blade with a new one, adjust the lower limit position so that the saw blade will not cut the turntable or complete cutting cannot be done.

To adjust the lower limit position of the saw blade, follow the procedures (1) to (4) indicated below. (Fig. 10)

Furthermore, when changing the position of a 8mm depth adjustment bolt that serves as a lower limit position stopper of the saw blade, it becomes necessary to shift the position of a 8mm hexagon socket set screw that is in the screw hole for the 8mm depth adjustment bolt that serves as the stopper.

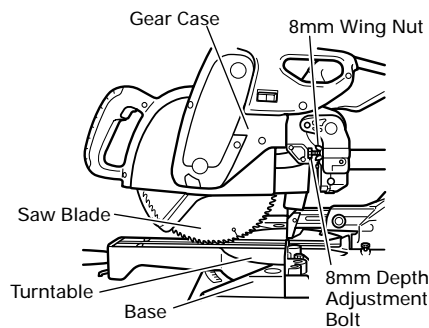


Fig. 9

- (1) Loosen the 8mm wing nut.
- (2) Insert your 6mm hexagon bar wrench from behind of the tool and turn the 8mm hexagon socket set screw to the left (counterclockwise) as viewed from behind of the tool.
- (3) Turn the 8mm depth adjustment bolt, change the height where the bolt head and the gear case contacts, and adjust the lower limit position of the saw blade. One turn of the 8mm depth adjustment bolt changes the lower limit position of the saw blade by about 5/16" (8mm), and this information can be used as a rough guide.

- (4) Turn the 8mm hexagon socket set screw to the right (clockwise) as viewed from behind of the tool, and let it softly contact the tip of the 8mm depth adjustment bolt.

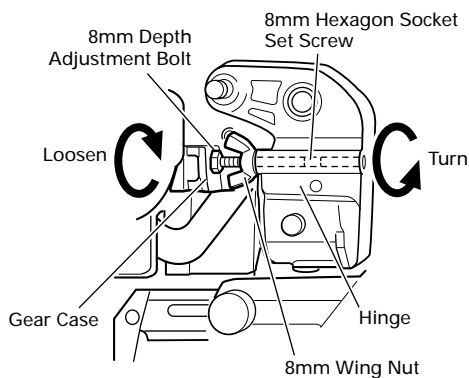


Fig. 10

3. Lower limit position of saw blade when cutting a large workpiece

NOTE: When cutting a workpiece exceeding 3-11/32" (85mm) in height in right-angle cutting or 2-3/16" (55mm) in left bevel angle cutting or 1-3/16" (30mm) in right bevel angle cutting, adjust the lower limit position so that the base of the motor head (see Fig. 9) will not come in contact with the workpiece.

To adjust the lower limit position of the saw blade, follow the procedures (1) to (3) shown in Fig. 10-a.

- (1) Loosen the 8mm wing nut so that the 8mm depth adjustment bolt can be turned by hand.
 - (2) Lower the motor head, and thru the 8mm depth adjustment bolt by hand and make adjustments so that there can be a clearance of 3/32" to 1/8" (2mm to 3mm) between the lower limit position of the motor head and the top of the workpiece at the saw blade's lower limit position (where the head of the 8mm depth adjustment bolt contacts the gear case).
 - (3) After adjustment, turn the 8mm wing nut until it contacts the Hinge (see Fig. 10), and fully tighten it.
4. Confirmation for use of sub fence

⚠ WARNING: In the case of left bevel cutting, turn the sub fence counterclockwise. Unless it is turned counterclockwise, the main body or saw blade may contact the sub fence, resulting in an injury.

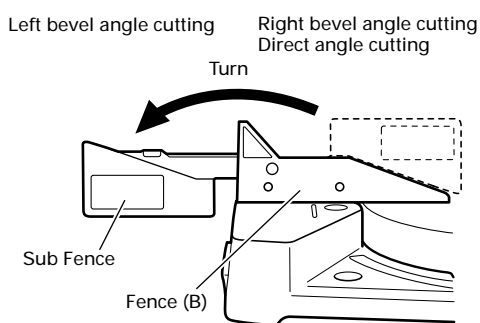


Fig. 11

This power tool is Equipped with a sub fence.

In the case of direct angle cutting and right bevel angle cutting, use the sub fence. Then, you can realize stable cutting of the material with a wide back face.

In the case of left bevel cutting, raise the sub fence up as illustrated in Fig. 11 and then turn it counterclockwise.

5. Oblique angle

Before the power tool is shipped from the factory, it is adjusted for 0°, right angle, left 45° bevel cutting angle and right 45° bevel cutting angle with the 8mm bolt (A), 8mm bolt (B) and the 8mm bolt (C). When changing the adjustment, change the height of the 8mm bolt (A), 8mm bolt (B) or the 8mm bolt (C) by turning them.

When changing the bevel angle to the right 45°, pull the fixing pin on the direction shown in Fig. 12-a and incline the motor head to the right.

When adjusting the motor head to 0°, always return the fixing pin to its initial position as shown in Fig. 12-b.

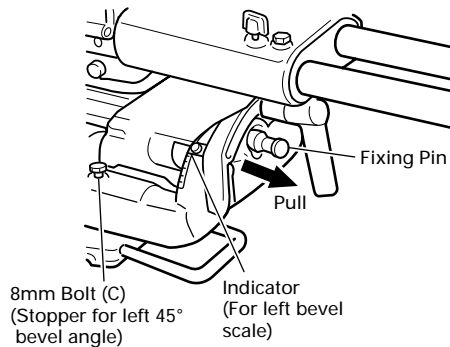


Fig. 12-a

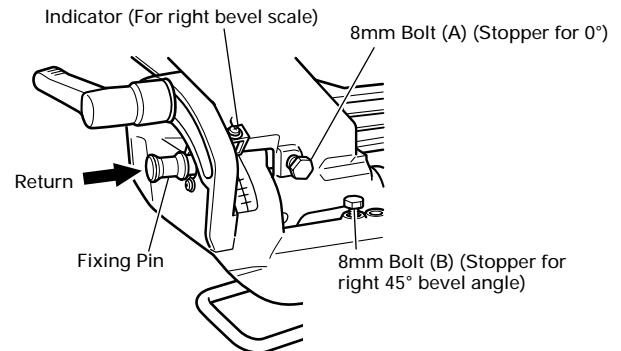


Fig. 12-b

6. Securing the workpiece

⚠ WARNING: Always clamp or vise to secure the workpiece to the fence; otherwise the workpiece might be thrust from the table and cause bodily harm.

7. Installing the holders ... (Optional accessory)

The holders help keep longer workpieces stable and in place during the cutting operation.

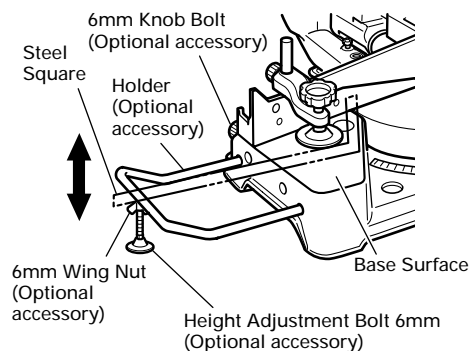


Fig. 13

(1) As indicated in Fig. 13, use a steel square for aligning the upper edge of the holders with the base surface.

Loosen the 6mm wing nut. Turn a height adjustment bolt 6mm, and adjust the height of the holder.

(2) After adjustment, firmly tighten the wing nut and fasten the holder with the 6mm knob bolt (optional accessory). If the length of Height Adjustment Bolt 6mm is insufficient, spread a thin plate beneath. Make sure the end of Height Adjustment Bolt 6mm does not protrude from the holder.

8. Stopper for precision cutting ... (Stopper and holder are optional accessory)

The stopper facilitates continuous precision cutting in lengths of 11" to 17-3/4" (280mm to 450mm).

To install the stopper, attach it to the holder with the 6mm knob bolt as shown in Fig. 14.

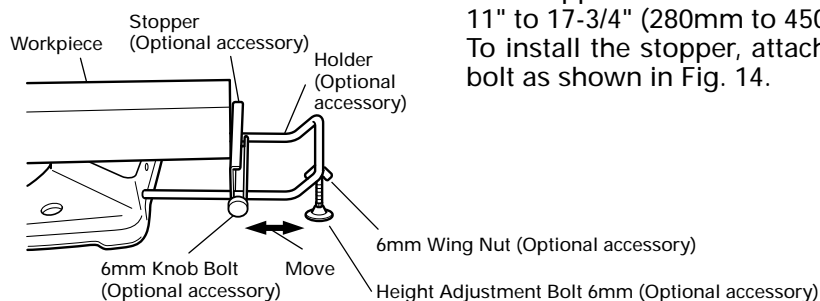


Fig. 14

9. Confirmation for use of sub fence (A)...(Optional accessory)

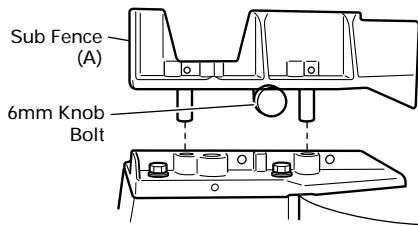


Fig. 15

⚠ WARNING: In the case of right bevel cutting, remove the sub fence (A). Supposing it is not able to remove it, it will contact the blade or some part of the tool, causing in serious injury to operator.

In the case of direct angle cutting and angle cutting, use the sub fence (A). The sub fence (A) can be installed on the right side of the guide fence. Insert the rods of the sub fence (A) into the holes in the guide fence. Tighten the 6mm knob bolt which come with the sub fence (A) to secure the sub fence (A). Then, you can realize stable cutting of the material with a wide back face.

10. Position adjustment of laser line (Only Model C10FSH)

- ⚠ WARNING:**
- * Make sure before plugging the power plug into the receptacle that the main body and the laser marker are turned off.
 - * Exercise utmost caution in handling a switch trigger for the position adjustment of the laser line, as the power plug is plugged into the receptacle during operation. If the switch trigger is pulled inadvertently, the saw blade can rotate and result in unexpected accidents.
 - * Do not remove the laser marker to be used for other purposes.

⚠ CAUTION:

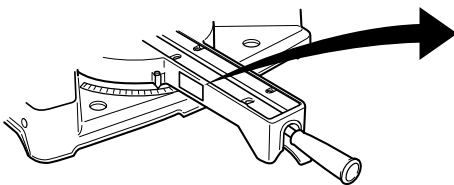


Fig. 16

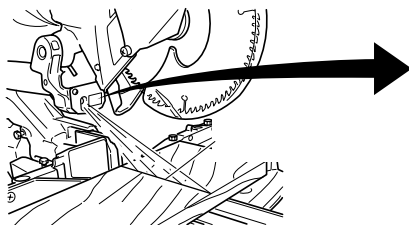
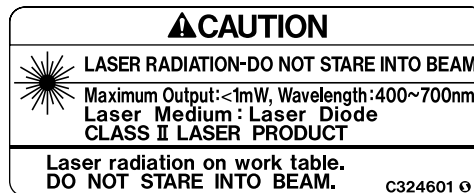
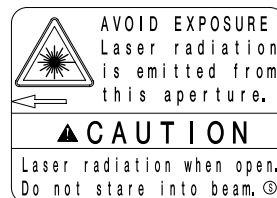


Fig. 17



- * Laser radiation- Do not stare into beam.
- * Laser radiation on work table. Do not stare into beam.
If your eye is exposed directly to the laser beam, it can be hurt.
- * Do not dismantle it.
- * Do not give strong impact to the laser marker (main body of tool); otherwise, the position of a laser line can go out of order, resulting in the damage of the laser marker as well as a shortened service life.
- * Keep the laser marker lit only during a cutting operation. Prolonged lighting of the laser marker can result in a shortened service life.
- * Use of controls or adjustments or performance of procedures other than those specified herein may result in hazardous radiation exposure.

- NOTE:**
- * Perform cutting by overlapping the ink line with the laser line.
 - * When the ink line and the laser line are overlapped, the strength and weakness of light will change, resulting in a stable cutting operation because you can easily discern the conformity of lines. This ensures the minimum cutting errors.
 - * In outdoor or near-the-window operations, it may become difficult to observe the laser line due to the sunlight. Under such circumstances, move to a place that is not directly under the sunlight and engage in the operation.
 - * Do not tug on the cord behind the motor head or hook your finger, wood and the like around it; otherwise, the cord may come off and the laser marker may not be lit up.

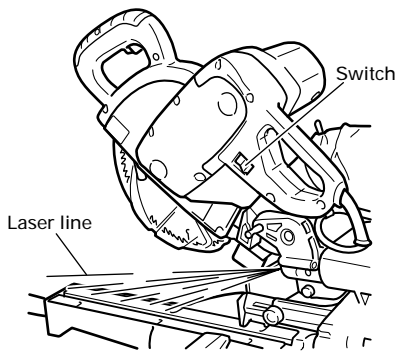


Fig. 18

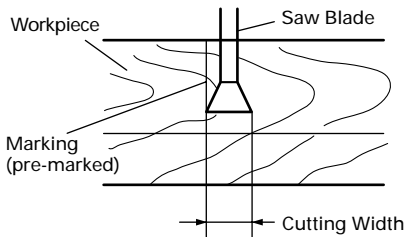


Fig. 19

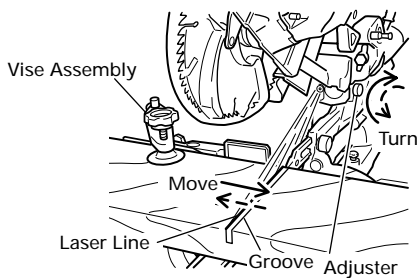


Fig. 20

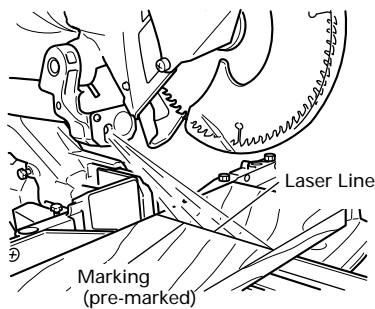


Fig. 21

Ink lining can be easily made on this tool to the laser marker. A switch lights up the laser marker. (Fig. 18)

Depending upon your cutting choice, the laser line can be aligned with the left side of the cutting width (saw blade) or the ink line on the right side.

The laser line is adjusted to the width of the saw blade at the time of factory shipment. Adjust the positions of the saw blade and the laser line taking the following steps to suit the use of your choice.

(1) Light up the laser marker and make a groove of about $3/16$ " (5mm) deep on the workpiece that is about $25/32$ " (20mm) in height and $5-29/32$ " (150mm) in width. Hold the grooved workpiece by vise as it is and do not move it. For grooving work, refer to "11.Groove cutting procedures" on page 25.

(2) Then, turn the adjuster and shift the laser line. (If you turn the adjuster clockwise, the laser line will shift to the right and if you turn it counterclockwise, the laser line will shift to the left.) When you work with the ink line aligned with the left side of the saw blade, align the laser line with the left end of the groove. (Fig. 20) When you align it with the right side of the saw blade, align the laser line with the right side of the groove.

(3) After adjusting the position of the laser line, draw a right-angle ink line on the workpiece and align the ink line with the laser line. When aligning the ink line, slide the workpiece little by little and secure it by vise at a position where the laser line overlaps with the ink line. Work on the grooving again and check the position of the laser line. If you wish to change the laser line's position, make adjustments again following the steps from (1) to (3).

NOTE: Check and make sure on a periodic basis if the position of the laser line is in order. As regards the checking method, draw a right-angle ink line on the workpiece with the height of about $25/32$ " (20mm) and the width of $5-29/32$ " (150mm), and check that the laser line is in line with the ink line [The deviation between the ink line and the laser line should be less than the ink line width (0.5mm)]. (Fig. 21)

PRACTICAL APPLICATIONS

- ⚠ WARNING:** * To avoid personal injury, never remove or place a workpiece on the table while the tool is being operated.
 * Never place your limbs inside of the line next to warning sign while the tool is being operated. This may cause hazardous conditions (see Fig. 22).

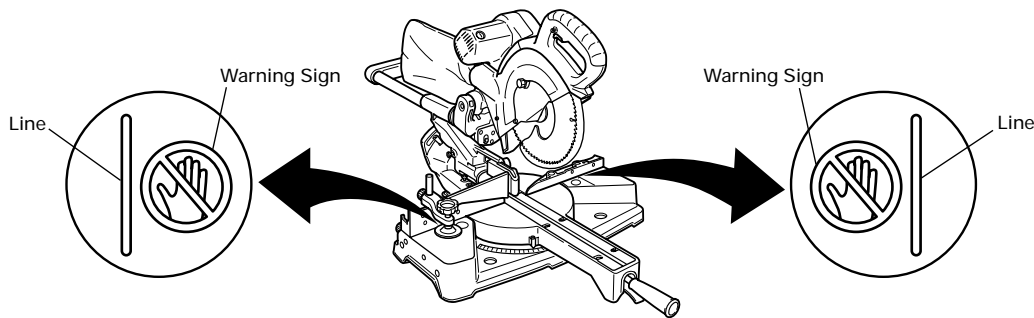


Fig. 22

1. Switch operation

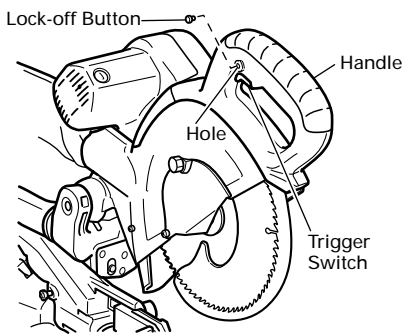


Fig. 23

The trigger switch lock-off button is designed to prevent inadvertent operation of the power tool. To operate the power tool, it is necessary to first fully insert the lock-off button into the hole on the handle as shown in Fig. 23.

The trigger switch will not operate unless the lock-off button has been pushed in.

When the trigger switch is released, the power goes off and the lock-off button automatically returns to its initial position, locking the trigger switch.

- ⚠ WARNING:** Always remove the lock-off button from the handle when the power tool is not in use. This will ensure that the power tool cannot be turned on accidentally or by someone (especially a child) who is not qualified to use the power tool. If the lock-off button is left in the handle, serious personal injury can result. Since the lock-off button fits rather tightly, it may be necessary to turn it to the left and right during mounting and removing.

2. Using the Vise Assembly (Standard accessory)

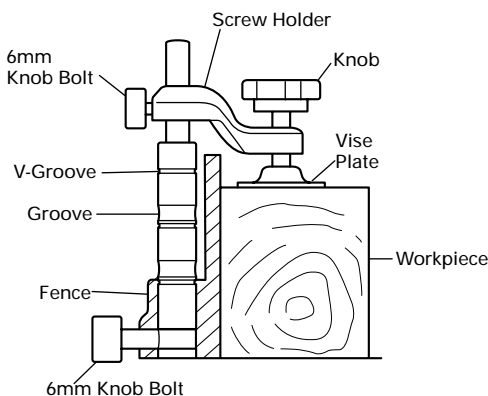


Fig. 24

The vise assembly can be mounted on either the left fence (Fence (B)) or the right fence (Fence (A)), and can be raised or lowered according to the height of the workpiece.

To raise or lower the vise assembly, first loosen the 6mm knob bolt. As shown in Fig. 24, the vise shaft has three locking grooves into which the tip of the 6mm wing bolt is designed to fit in order to lock the screw holder in the desired position.

To ensure that the tip of the 6mm wing bolt is properly aligned with the desired locking groove on the vise shaft, simply align the upper surface of the fence to either of three v-grooves on the vise shaft surface or to the lower surface of the screw holder.

Therefore, the vise assembly can be attached in either of three positions to ensure proper height adjustment.

After adjusting the height, firmly tighten the 6mm wing bolt; then turn the upper knob, as necessary, to securely attach the workpiece in position.

- ⚠ CAUTION:** Always confirm that the motor head (see Fig. 1) does not contact the vise assembly when it is lowered for cutting. If there is any danger that it may do so, loosen the 8mm knob bolt slightly and move the vise assembly to a position where it will not contact the saw blade.

In case of compound cutting of left bevel angle and left miter angle, a workpiece of up to 2-3/16" (55mm) can be fixed with a vise assembly mounted on the left side. In case the workpiece height exceeds 2-3/16" (55mm), mount the vise assembly on the opposite side of the inclination of the motor head. For other compound cutting (left bevel + right miter, right bevel + left miter and right bevel + right miter), mount the vise assembly on the opposite side of the inclination of the motor head to avoid the contact of the vise assembly with the motor head.

3. Cutting Operation

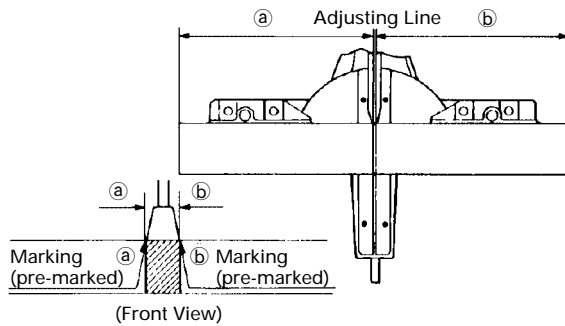


Fig. 25

- (1) As shown in Fig. 25 the width of the saw blade is the width of the cut. Therefore, slide the workpiece to the right (viewed from the operator's position) when length ⑥ is desired, or to the left when length ⑤ is desired.

(Only Model C10FSH)

If a laser marker is used, align the laser line with the left side of the saw blade, and then align the ink line with the laser line.

- (2) Once the saw blade reaches maximum speed, push the handle down carefully until the saw blade approaches the workpiece.
- (3) Once the saw blade contacts the workpiece, push the handle down gradually to cut into the workpiece.
- (4) After cutting the workpiece to the desired depth, turn the power tool OFF and let the saw blade stop completely before raising the handle from the workpiece to return it to the full retract position.

⚠ CAUTION: * Increased pressure on the handle will not increase the cutting speed. On the contrary, too much pressure may result in overload of the motor and/or decreased cutting efficiency.

⚠ WARNING: * Confirm that the trigger switch is turned OFF and the power plug has been removed from the receptacle whenever the tool is not in use.
 * Always remove the lock-off button from the handle and store it in a secure place after completing the work.
 * Always turn the power off and let the saw blade stop completely before raising the handle from the workpiece. If the handle is raised while the saw blade is still rotating, the cut-off piece may become jammed against the saw blade causing fragments to scatter about dangerously.
 * Every time one cutting or deep-cutting operation is finished, turn the switch off, and check that the saw blade has stopped. Then raise the handle, and return it to the full retract position.
 * Be absolutely sure to remove the cut material from the top of the turntable, and then proceed to the next step.
 * Continued cutting operation can result in overload of the motor. Touch the motor and if it's hot, stop your cutting operation once and rest for 10 minutes or so, and then restart your cutting operation.

4. Cutting narrow workpieces (Press cutting)

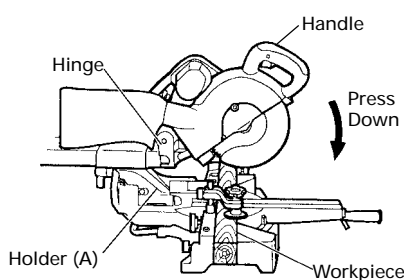


Fig. 26

Slide the hinge down to holder (A), then tighten the slide securing knob (see Fig. 2) as indicated in Fig. 26.

Lower the handle to cut the workpiece.

Using the power tool this way will permit cutting of workpieces of up to 3-11/32" (85mm) square.

5. Cutting large workpieces

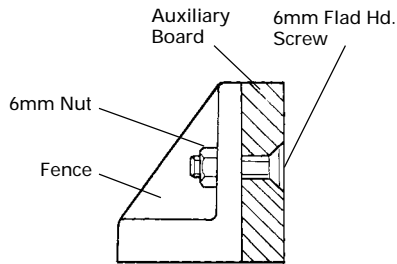


Fig. 27

There may be case when a complete cutting cannot be done depending on the height of workpiece. In this case, mount an auxiliary board with the 6mm flat head screws and the 6mm nuts using the 7mm holes on the fence surface (two holes on each side). (Fig. 27)

Refer to page 9 "SPECIFICATIONS" for the thickness of the auxiliary board.

6. Cutting wide workpieces (Slide cutting)

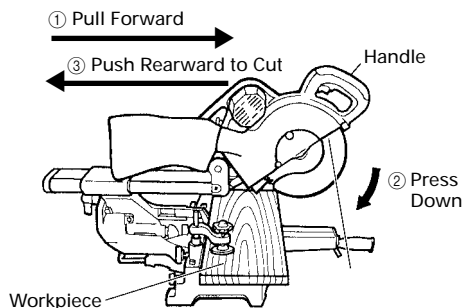


Fig. 28

(1) Workpieces up to 3-11/32" (85mm) high and 12-9/32" (312mm) wide: Loosen the slide securing knob (see Fig. 2), grip the handle and slide the saw blade forward.

Then press down on the handle and slide the saw blade back to cut the workpiece as indicated in Fig. 28. This facilitates cutting of workpieces of up to 3-11/32" (85mm) in height and 12-9/32" (312mm) in width.

(2) Workpieces up to 3-9/16" (90mm) high and 11" (280mm) wide: Workpieces of up to 3-35/64" (90mm) in height and up to 11" (280mm) in width can be cut in the same manner as described in paragraph 6-(1) above.

- ⚠ CAUTION:**
- * When cutting a workpiece of 3-11/32" (85mm) height, adjust the lower limit position of the motor head so that the gap between the lower edge of the motor head and the workpiece will be 3/32" to 1/8" (2 to 3mm) at the lower limit position.
 - * If the handle is pressed down with excessive or lateral force, the saw blade may vibrate during the cutting operation and cause unwanted cutting marks on the workpiece, thus reducing the quality of the cut. Accordingly, press the handle down gently and carefully.
 - * In slide cutting, gently push the handle back (rearwards) in a single, smooth operation. Stopping the handle movement during the cut will cause unwanted cutting marks on the workpiece.

- ⚠ WARNING:**
- * For slide cutting, follow the procedures indicated above in Fig. 28. Forward slide cutting (toward the operator) is very dangerous because the saw blade could kick upward from the workpiece. Therefore, always slide the handle away from the operator.
 - * Always return the carriage to the full rear position after each crosscut operation in order to reduce the risk of injury.
 - * Never put your hand on the side handle during the cutting operation because the saw blade comes close to the side handle when the motor head is lowered.

7. Bevel cutting procedures

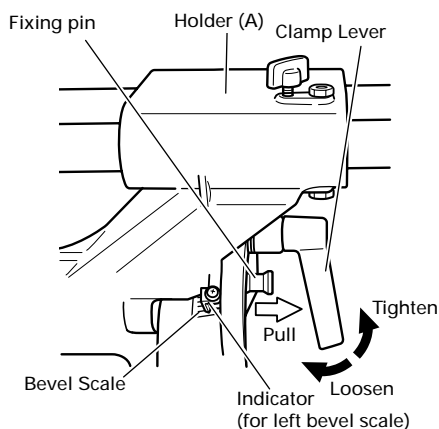


Fig. 29

- (1) Loosen the clamp lever and bevel the saw blade to the left or to the right. When tilting the motor head to the right pull the fixing pin towards the rear. The clamp lever adopts a latching system. When contacting the work bench and the main body, pull the clamp lever in the direction of the arrow mark as illustrated in Fig. 29, and change the direction of the clamp lever.
- (2) Adjust the bevel angle to the desired setting while watching the bevel angle scale and indicator, then secure the clamp lever.

- (3) Follow the procedures indicated in paragraphs 4,5 and 6 above. For maximum dimensions for bevel cutting, refer to "SPECIFICATIONS" table on page 9.

⚠ WARNING: When the workpiece is secured on the left or right side of the blade, the short cut-off portion will come to rest on the right or left side of the saw blade. Always turn the power off and let the saw blade stop completely before raising the handle from the workpiece.

If the handle is raised while the saw blade is still rotating, the cut-off piece may become jammed against the saw blade causing fragments to scatter about dangerously.

When stopping the bevel cutting operation halfway, start cutting after pulling back the motor head to the initial position.

Starting from halfway, without pulling back, causes the safety cover to be caught in the cutting groove of the workpiece and to contact the saw blade.

⚠ CAUTION: When cutting a workpiece of 2-3/8" (60mm) height in the left 45° bevel cutting position or a workpiece of 1-3/8" (35mm) height in the right 45° bevel cutting position, adjust the lower limit position of the motor head so that the gap between the lower edge of the motor head and the workpiece will be 5/64" to 1/8" (2 to 3mm) at the lower limit position (refer to "2. Checking the saw blade lower limit position" on page 13).

8. Miter cutting procedures

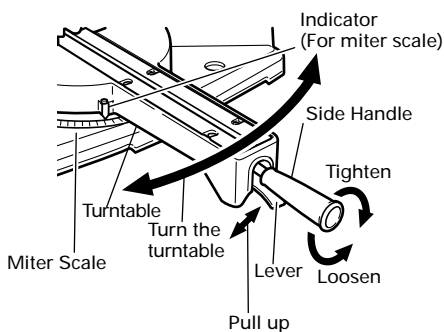


Fig. 30

- (1) Loosen the side handle and pull up the lever for angle stoppers. Then, adjust the turntable until the indicator aligns with desired setting on the miter scale (Fig. 30).
- (2) Re-tighten the side handle to secure the turntable in the desired position.
- (3) The miter scale (Fig. 31) indicates both the cutting angle on the angle scale and the gradient on the grade scale.
- (4) The gradient, which is the ratio of the height to the base of the triangular section to be removed, may be used for setting the miter scale instead of the cutting angle, if desired (see Fig. 31).
- (5) Therefore, to cut a workpiece at a grade of 2/10, set the indicator to position ② as indicated in Fig. 31.

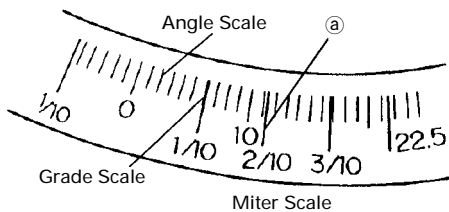


Fig. 31

NOTE: * Positive stops are provided at the right and left of the 0° center setting, at 15°, 22.5°, 31.6° and 45° settings. Check that the miter scale and the tip of the indicator are properly aligned.

* Operation of the saw with the miter scale and indicator out of alignment, or with the side handle not properly tightened, will result in poor cutting precision.

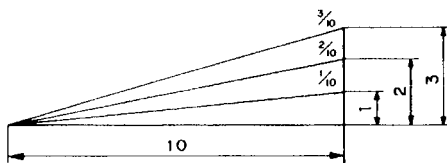


Fig. 32

9. Compound cutting procedures

Compound cutting can be performed by following the instructions in 7 and 8 above. For maximum dimensions for compound cutting, refer to "SPECIFICATIONS" table on page 9.

⚠ CAUTION: Always secure the workpiece with the right or left hand and cut it by sliding the round portion of the saw backwards with the left hand.

It is very dangerous to rotate the turntable to the left during compound cutting because the saw blade may come into contact with the hand that is securing the workpiece.

In case of compound cutting (angle + bevel) by left bevel, turn the sub-fence counterclockwise, and engage in the cutting operation.

10. Crown molding cutting procedures

Fig. 33 shows two common crown molding types having angles of (θ) 38° and 45° . For the typical crown molding fittings, see Fig. 34.

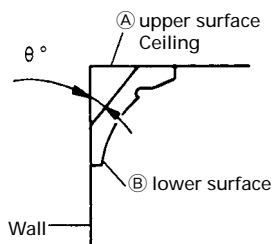


Fig. 33

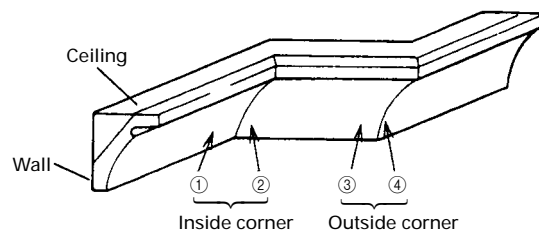


Fig. 34

The table below shows the miter angle and the bevel angle settings that are ideal for the two crown molding types.

NOTE: For convenience, positive stops are provided for the miter setting (left and right 31.6°) positions.

For miter cut setting

If the turntable has been set to either of the angles described, move the turntable adjusting side handle a little to the right and left to stabilize the position and to properly align the miter angle scale and the tip of the indicator before the operation starts.

For bevel cut setting

Move handle on bevel section to the left and check that the position is stable and that the bevel angle scale and the tip of the indicator are properly aligned. Then tighten the clamp lever.

Type of Crown Molding	To process crown molding at positions ① and ④ in Fig. 34.		To process crown molding at positions ② and ③ in Fig. 34.	
	Miter Angle Setting	Bevel Angle Setting	Miter Angle Setting	Bevel Angle Setting
45° Type	right 35.3° (↓ mark)	left 30° (↓ mark)	left 35.3° (↓ mark)	left 30° (↓ mark)
38° Type	right 31.6° (↓ mark)	left 33.9° (↓ mark)	left 31.6° (↓ mark)	left 33.9° (↓ mark)

30° and 33.9° left slant setting method

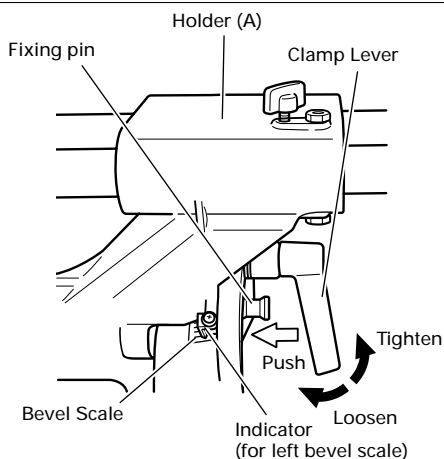


Fig. 35

- (1) Loosen the clamp lever and slant to the left a little at a time while pushing the fixing pin into the main unit. At this time, the fixing pin will enter one step and fit into the 30° left slant and 33.9° left slant setting slots.
- (2) With the fixing pin in the slot as described above, setting to the 30° left slant position is possible by pushing to the right side.
- (3) Also, with the fixing pin in the slot as described above, setting to the 33.9° left slant position is possible by pushing to the left side.
- (4) Look at the bevel scale and indicator to recheck whether or not the settings match and then tighten the clamp lever.

(1) Setting to cut crown moldings at positions ① and ④ in Fig. 34 (see Fig. 36; tilt the motor head to the left):

- ① Turn the turntable to the right and set the Miter Angle as follows:
 - * For 45° type crown moldings: 35.3° (↓ mark)
 - * For 38° type crown moldings: 31.6° (↓ mark)
- ② Tilt the motor head to the left and set the Bevel Angle as follows:
 - * For 45° type crown moldings: 30° (↓ mark)
 - * For 38° type crown moldings: 33.9° (↓ mark)
- ③ Position the crown molding so that the upper surface (A in Fig. 33) contacts the fence as indicated in Fig. 38.

(2) Setting to cut crown moldings at positions ② and ③ in Fig. 34 (see Fig. 37; tilt the head to the left):

- ① Turn the turntable to the left and set the Miter Angle as follows:
 - * For 45° type crown moldings: 35.3° (↓ mark)
 - * For 38° type crown moldings: 31.6° (↓ mark)
- ② Tilt the head to the left and set the Bevel Angle as follows:
 - * For 45° type crown moldings: 30° (↓ mark)
 - * For 38° type crown moldings: 33.9° (↓ mark)
- ③ Position the crown molding so that the lower surface (Ⓑ in Fig. 33) contacts the fence as in Fig. 39.

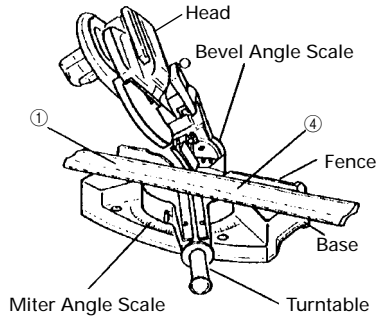


Fig. 36

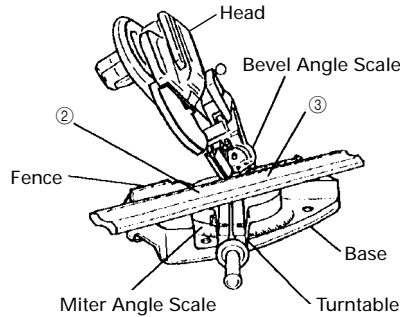


Fig. 37

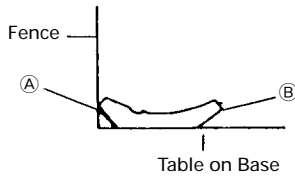


Fig. 38

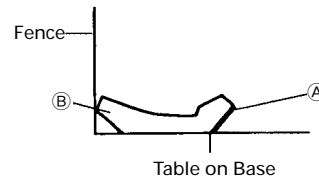


Fig. 39

(3) Setting to cut crown moldings at positions ① and ④ in Fig. 34 (see Fig. 40; tilt the head to the right):

- ① Turn the turntable to the right and set the Miter Angle as follows:
 - * For 45° type crown moldings: 35.3° (↓ mark)
 - * For 38° type crown moldings: 31.6° (↓ mark)
- ② Tilt the head to the right and set the Bevel Angle as follows:
 - * For 45° type crown moldings: 30° (↓ mark)
 - * For 38° type crown moldings: 33.9° (↓ mark)
- ③ Position the crown molding so that the upper surface (Ⓑ in Fig. 33) contacts the fence as indicated Fig. 42.

(4) Setting to cut crown moldings at positions ② and ③ in Fig. 34 (see Fig. 41; tilt the head to the right):

- ① Turn the turntable to the left and set the Miter Angle as follows:
 - * For 45° type crown moldings: 35.3° (↓ mark)
 - * For 38° type crown moldings: 31.6° (↓ mark)
- ② Tilt the head to the right and set the Bevel Angle as follows:
 - * For 45° type crown moldings: 30° (↓ mark)
 - * For 38° type crown moldings: 33.9° (↓ mark)
- ③ Position the crown molding so that the lower surface (Ⓐ in Fig. 33) contacts the fence as in Fig. 43.

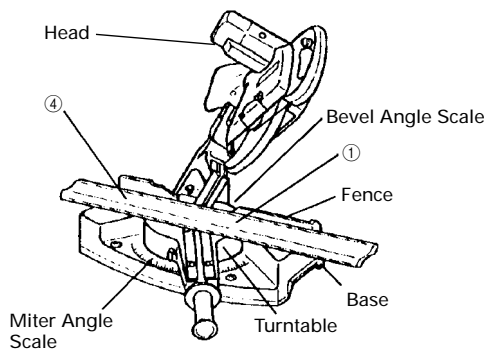


Fig. 40

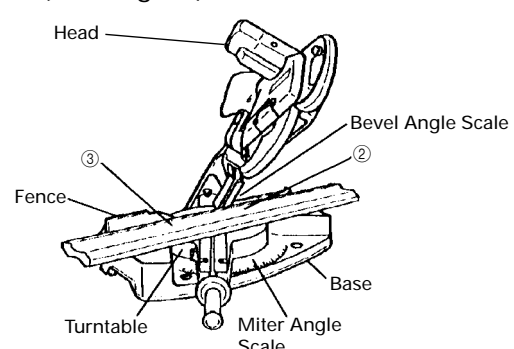


Fig. 41

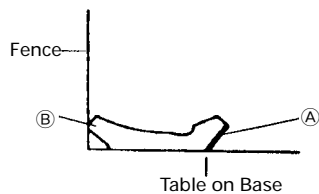


Fig. 42

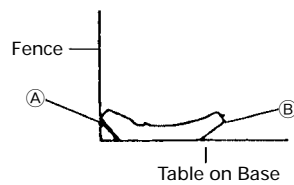


Fig. 43

Cutting method of crown molding without tilting the saw blade.

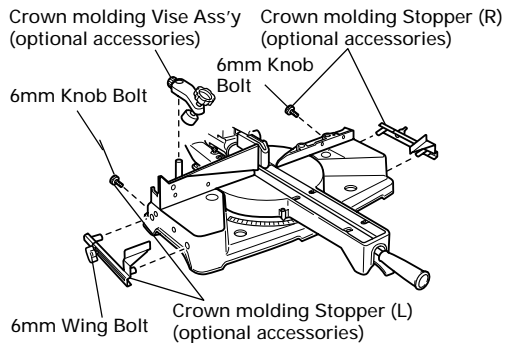


Fig. 44

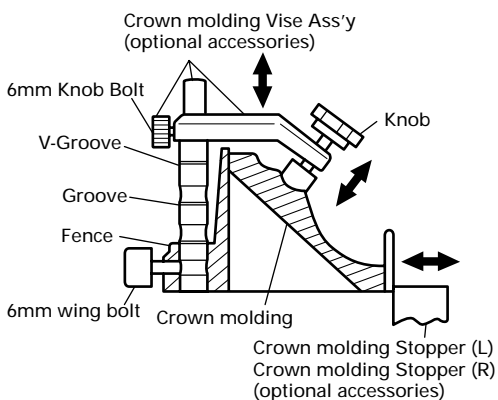


Fig. 45

(1) Crown molding Stopper (L) and (R) (optional accessories) allow easier cuts of crown molding without tilting the saw blade. Install them in the base both-sides side to be shown in Fig. 44. After inserting Tighten the 6mm knob bolts to secure the crown molding Stoppers.

[Optional accessories used]

- Crown molding Vise Ass'y (Include Crown molding Stopper (L))
- Crown molding Stopper (L)
- Crown molding Stopper (R)

(2) The crown molding vise (B) (Optional accessory) can be mounted on either the left fence (Fence (B)) or the right fence (Fence (A)). It can unite with the slope of the crown molding and vise can be pressed down.

Then turn the upper knob, as necessary, to securely attach the crown molding in position. To raise or lower the vise assembly, first loosen the 6mm knob bolt. As shown in Fig. 45, the vise shaft has three locking grooves into which the tip of the 6mm wing bolt is designed to fit in order to lock the screw holder in the desired position.

To ensure that the tip of the 6mm wing bolt is properly aligned with the desired locking groove on the vise shaft, simply align the upper surface of the fence to either of three v-grooves on the vise shaft surface or to the lower surface of the screw holder. Therefore, the vise assembly can be attached in either of three positions to ensure proper height adjustment.

After adjusting the height, firmly tighten the 6mm wing bolt; then turn the upper knob, as necessary, to securely attach the the crown molding in position. (see Fig. 45)

⚠ WARNING: Always firmly clamp or vise to secure the crown molding to the fence; otherwise the crown molding might be thrust from the table and cause bodily harm. Do not bevel cutting. The main body or saw blade may contact the sub fence, resulting in an injury.

⚠ CAUTION: Always confirm that the motor head (see Fig. 1) does not contact the crown molding vise ass'y when it is lowered for cutting. If there is any danger that it may do so, loosen the 6mm knob bolt and move the crown molding vise ass'y to a position where it will not contact the saw blade.

Position crown molding with its WALL CONTACT EDGE against the guide fence and its CEILING CONTACT EDGE against the crown molding Stoppers as shown in Fig. 45.

Adjust the crown molding Stoppers according to the size of the crown molding.

Tighten the 6mm wing bolt to secure the crown molding Stoppers.

Refer to the lower table for the miter angle.

	Position in Fig. 34	Miter angle	Finished piece
For inside corner	①	Right 45°	Save the right side of blade
	②	Left 45°	Save the left side of blade
For outside corner	③		Save the right side of blade
	④	Right 45°	Save the left side of blade

Use the sub fence (A) (optional accessories) to secure the crown molding more firmly. (see Fig. 15)

11. Groove cutting procedures

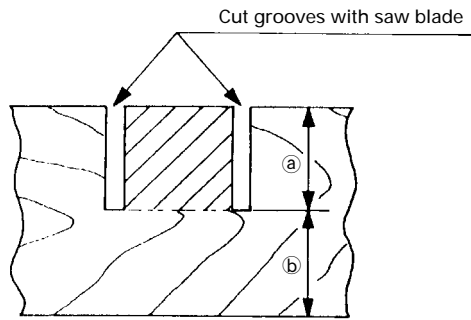


Fig. 46

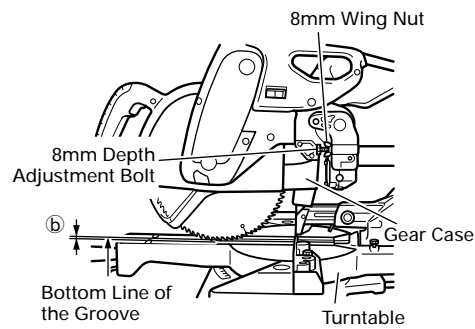


Fig. 47

Grooves in the workpiece can be cut as indicated in Fig. 46 by adjusting the 8mm depth adjustment bolt.

Cutting depth adjustment procedure:

- (1) Loosen the 8mm wing nut and turn the 8mm depth adjustment bolt by hand.
- (2) Adjust to the desired cutting depth by setting the distance between the saw blade and the surface of the base (see (b) in Fig. 46).
- (3) The 8mm wing nut must be properly tightened after the adjustment has been completed.

NOTE: When cutting a single groove at either end of the workpiece, remove the unneeded portion with a chisel.

12. Cutting easily-deformed materials, such as aluminum sash

Materials such as aluminum sash can easily deform when tightened too much in a vise assembly. This will cause inefficient cutting and possible overload of the motor.

When cutting such materials, use a wood plate to protect the workpiece as shown in Fig. 48. Set the wood plate near the cutting section.

When cutting aluminum materials, coat the saw blade with cutting oil (non-combustible) to achieve smooth cutting and a fine finish.

In addition, in case of a U-shaped workpiece, use the wood plate as shown in Fig. 49 to ensure stability in the lateral direction, and clamp it near the cutting section of the workpiece and tighten it using both the vise assembly and the clamp available in the market.

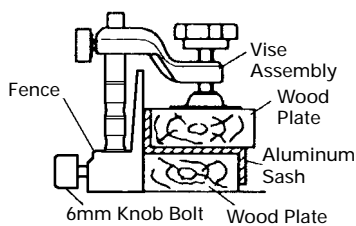


Fig. 48

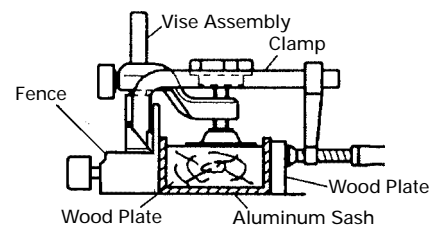


Fig. 49

13. How to use the dust bag (Standard accessory)

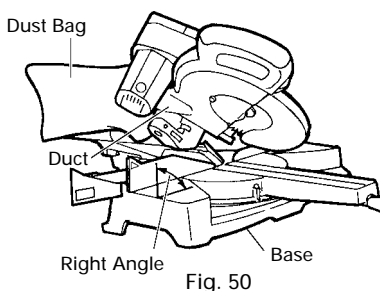


Fig. 50

- (1) When the dust bag has become full of sawdust, dust will be blown out of the dust bag when the saw blade rotates. Check the dust bag periodically and empty it before it becomes full.
- (2) During bevel and compound cutting, attach the dust bag at a right angle to the base surface as shown in Fig. 50.

⚠ CAUTION: Empty the dust bag frequently to prevent the duct and the safety cover from becoming clogged.
Sawdust will accumulate more quickly than normal during bevel cutting.

SAW BLADE MOUNTING AND DISMOUNTING

⚠ WARNING: * To prevent an accident or personal injury, always turn off the trigger switch and disconnect the power plug from the receptacle before removing or installing a saw blade.

If cutting work is done in a state where the bolt is not sufficiently tightened, the bolt can get loose, the blade can come off, and the safety cover can get damaged, resulting in injuries.

Also, check that the bolts are properly tightened before plugging the power plug into the receptacle.

* If the bolts are attached or detached using tools other than the 10mm box wrench (standard accessory), excessive or improperly tightening occurs, resulting in injury.

1. Mounting the saw blade (Fig. 51-a, Fig. 51-b and Fig. 51-c)

(1) Use the accessory 10mm box wrench to loosen the 6mm bolt fastening the spindle cover and then remove the spindle cover.

(2) Press in spindle lock and loosen bolt with 10mm box wrench (standard accessory). Since the bolt is left-hand threaded, loosen by turning it to the right as shown in Fig. 51-c.

NOTE: If the spindle lock cannot be easily pressed in to lock the spindle, turn the bolt with 10mm box wrench (standard accessory) while applying pressure on the spindle lock. The saw blade spindle is locked when the spindle lock is pressed inward.

(3) Remove the bolt and washer (D)

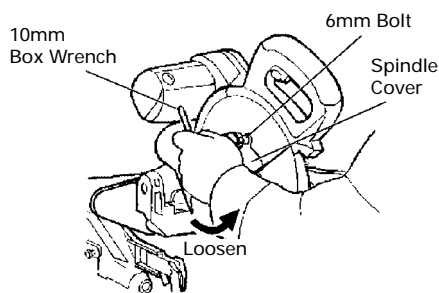


Fig. 51-a

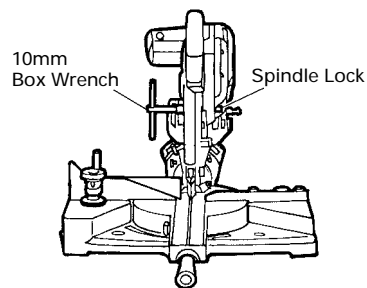


Fig. 51-b

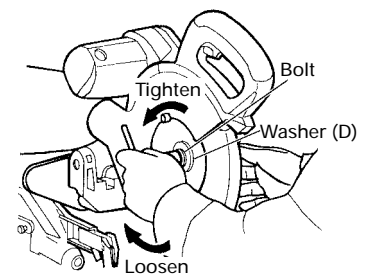


Fig. 51-c

(4) Lift the safety cover and mount the saw blade.

⚠ WARNING: When mounting the saw blade, confirm that the rotation indicator mark on the saw blade and the rotation direction of the gear case (see Fig. 1) are properly matched.

(5) Thoroughly clean washer (D) and the bolt, and install them onto the saw blade spindle.

(6) Press in the spindle lock and tighten the bolt by turning it to the left by standard accessory's wrench (10mm box wrench) as indicated in Fig. 51-c.

⚠ CAUTION: * A dust guide is installed inside behind the gear case. When removing or installing the saw blade, do not make contact with the dust guide. Contact may break or chip saw blade tips.
* Confirm that the spindle lock has returned to the retract position after installing or removing the saw blade.
* Tighten the bolt so it does not come loose during operation. Confirm the bolt has been properly tightened before the power tool is started.

2. Dismounting the saw blade

Dismount the saw blade by reversing the mounting procedures described in paragraph 1 above. The saw blade can easily be removed after lifting the safety cover.

⚠ CAUTION: Never attempt to install saw blades larger than 10" (255mm) in diameter. Always install saw blades that are 10" (255mm) in diameter or less.

MAINTENANCE AND INSPECTION

⚠ WARNING: To avoid an accident or personal injury, always confirm that the trigger switch is turned OFF and the power plug has been disconnected from the receptacle before performing any maintenance or inspection of this tool.

1. Inspecting the saw blade

Always replace the saw blade immediately upon the first sign of deterioration or damage. A damaged saw blade can cause personal injury and a worn saw blade can cause ineffective operation and possible overload to the motor.

⚠ CAUTION: Never use a dull saw blade. When a saw blade is dull, its resistance to the hand pressure applied by the tool handle tends to increase, making it unsafe to operate the power tool.

2. Adjusting a loose slide pipe

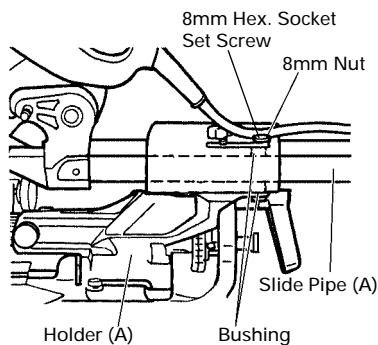


Fig. 52

After extended use of the power tool, the slide pipe (A) and the bushing can become loose due to vibration. Never operate the tool if any components are loose to avoid personal injury.

- (1) Loosen the 8mm nut and tighten the two 8mm hexagon socket set screws until the power tool operates smoothly without looseness.
- (2) Properly tighten the 8mm nut after completing these adjustment.

3. Inspecting the carbon brushes (Fig. 53 and Fig. 54)

The carbon brushes in the motor are expendable parts.

If the carbon brushes become excessively worn, motor trouble might occur.

Therefore, inspect the carbon brushes periodically and replace them when they have become worn to the wear limit line as shown in Fig. 53.

Also, keep the carbon brushes clean so that they will slide smoothly within the brush holders.

The carbon brushes can easily be removed after removal of the brush caps (see Fig. 54) with a slotted (minus) screwdriver.

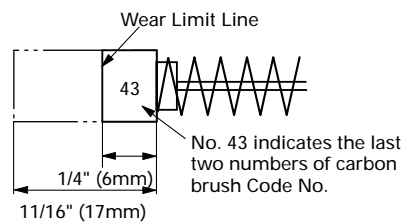


Fig. 53

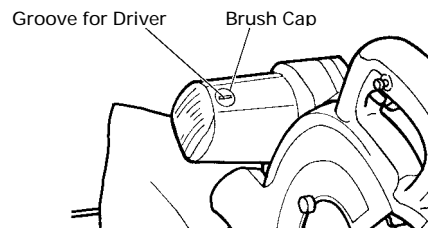


Fig. 54

4. About Handling the Motor (see Fig. 1)

Winding of the motor is said to be the heart of this tool. Exercise utmost caution not to damage the winding by exposing it to wash oil or water.

NOTE: Accumulation of dust and the like inside the motor can result in a malfunction.

After using the motor for 50 hours or so, carry out no-load running, and blow in the dry air from a wind hole at the motor's rear. Such action is effective to discharge dust and the like.

5. Inspecting the screws

Regularly inspect each component of the power tool for looseness.

Re-tighten screws on any loose part.

⚠ WARNING: To prevent personal injury, never operate the power tool if any components are loose.

6. Inspecting the safety cover for proper operation

Before each use of the tool, test the safety cover (see Fig. 8) to assure that it is in good condition and that it moves smoothly.

Never use the tool unless the safety cover operates properly and it is in good mechanical condition.

7. Storage

After operation of the tool has been completed, check that the following has been performed:

- (1) Trigger switch is in OFF position,
- (2) Power plug has been removed from the receptacle,
- (3) Lock-off button has been removed and stored in a secure place.

When the tool is not in use, keep it stored in a dry place out of the reach of children.

8. Replacement of Poly-V-Belt

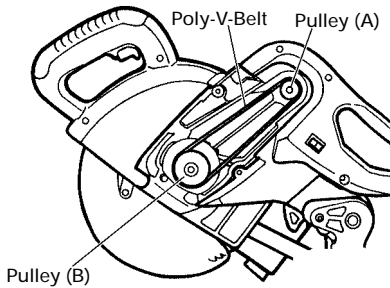


Fig. 55

The power of the motor is transmitted to the saw blade by a Poly-V-Belt. When the Poly-V-Belt is broken or damaged, remove the belt cover by loosening the two 5mm screws (see Fig. 2) and replace the damaged one with the new one.

When connecting the belt on pulleys, first connect 2 or 3 teeth of Poly-V-Belt to the grooves of the pulley (A) and pulley (B). Then turning the pulley (A) and pulley (B), connect all 10 teeth of the belt to the pulleys.

9. Lubrication

Lubricate the following sliding surfaces once a month to keep the power tool in good operating condition for a long time (see Fig. 1 and Fig. 2). Use of machine oil is recommended.

Oil supply points:

- * Rotary portion of hinge
- * Rotary portion of vise assembly
- * Rotary portion of holder (A)

10. Cleaning

Periodically remove chips, dust and other waste material from the surface of the power tool, especially from the inside of the safety cover with a damp, soapy cloth. To avoid a malfunction of the motor, protect it from contact with oil or water.

(Only Model C10FSH)

If the laser line becomes invisible due to chips and the like adhered onto the window of the laser marker's light-emitting section, wipe and clean the window with a dry cloth or a soft cloth moistened with soapy water, etc.

SERVICE AND REPAIRS

All quality power tools will eventually require servicing or replacement of parts because of wear from normal use. To assure that only authorized replacement parts will be used and that the double insulation system will be protected, all service (other than routine maintenance) must be performed by an AUTHORIZED HITACHI POWER TOOL REPAIR CENTER ONLY.

NOTE: Specifications are subject to change without any obligation on the part of HITACHI.

INFORMATIONS IMPORTANTES DE SÉCURITÉ

Lire et comprendre toutes les précautions de sécurité, les avertissements et les instructions de fonctionnement dans ce mode d'emploi avant d'utiliser ou d'entretenir cet outil motorisé.

La plupart des accidents causés lors de l'utilisation ou de l'entretien de l'outil motorisé proviennent d'un non respect des règles ou précautions de base de sécurité. Un accident peut la plupart du temps être évité si l'on reconnaît une situation de danger potentiel avant qu'elle ne se produise, et en observant les procédures de sécurité appropriées.

Les précautions de base de sécurité sont mises en évidence dans la section "SECURITE" de ce mode d'emploi et dans les sections qui contiennent les instructions de fonctionnement et d'entretien.

Les dangers qui doivent être évités pour prévenir des blessures corporelles ou un endommagement de la machine sont identifiés par AVERTISSEMENTS sur l'outil motorisé et dans ce mode d'emploi.

NE JAMAIS utiliser cet outil motorisé d'une manière qui n'est pas spécifiquement recommandée par HITACHI.

SIGNIFICATION DES MOTS D'AVERTISSEMENT

AVERTISSEMENT indique des situations potentiellement dangereuses qui, si elles sont ignorées, pourraient entraîner la mort ou de sérieuses blessures.

PRECAUTION indique des situations dangereuses potentielles qui, si elles ne sont pas évitées, peuvent entraîner de mineures et légères blessures ou endommager la machine.

REMARQUE met en relief des informations essentielles.

SECURITE

CONSIGNES DE SECURITE RELATIVES AUX OUTILS ÉLECTRIQUES

LIRE TOUS LES AVERTISSEMENTS ET TOUTES LES INSTRUCTIONS D'UTILISATION DU MANUEL AVANT DE METTRE L'OUTIL EN SERVICE OU DE L'ENTREtenir :

⚠ AVERTISSEMENT: Lorsqu'on utilise l'outil électrique, prendre toutes les précautions nécessaires pour éviter au maximum tout risque de choc électrique ou autre blessure physique.
En particulier, toujours respecter les consignes de sécurité suivantes :

1. **TOUJOURS LAISSER LES PROTECTIONS EN PLACE ET LES MAINTENIR EN BON ORDRE DE MARCHÉ.**
2. **TOUJOURS RETIRER LES CLAVETTES DE RÉGLAGE ET LES CLÉS AVANT DE METTRE L'OUTIL EN MARCHÉ.** Toujours vérifier que les clés et les clavettes de réglage sont bien toutes retirées de l'outil avant de le mettre en marche.
3. **TOUJOURS MAINTENIR L'AIRE DE TRAVAIL PROPRE.** Pour éviter tout risque de blessure, ne pas encombrer l'aire de travail ni l'établi.
4. **NE JAMAIS UTILISER L'OUTIL DANS UN ENVIRONNEMENT DANGEREUX.** Ne jamais utiliser l'outil électrique dans un endroit humide ou mouillé, et ne jamais l'exposer à la pluie. Toujours veiller à ce que l'aire de travail soit suffisamment éclairée.
5. **NE JAMAIS LAISSER LES ENFANTS NI AUCUNE AUTRE PERSONNE APPROCHER DE L'AIRE DE TRAVAIL.** Interdire l'accès de l'aire de travail à tout le monde (en particulier aux enfants). Toujours débrancher l'outil quand on s'en éloigne et veiller à ce que personne ne puisse pénétrer dans l'aire de travail en mettant des verrous aux portes et aux interrupteurs principaux. Toujours retirer le bouton de déverrouillage de l'outil et le ranger en lieu sûr lorsqu'on ne s'en sert pas.
6. **NE JAMAIS FORCER L'OUTIL.** Il effectuera le travail le meilleur et avec la sécurité maximale au régime pour lequel il a été conçu.

7. **TOUJOURS UTILISER LES OUTILS APPROPRIÉS.** Ne jamais utiliser un outil ou un accessoire pour un travail pour lequel il n'est pas conçu.
8. **PORTER DES VÊTEMENTS APPROPRIÉS PENDANT LE TRAVAIL.** Ne jamais porter de vêtements lâches ni de gants, cravate, bagues, bracelets ni aucun autre bijou. Ils pourraient se coincer dans les pièces en rotation. Toujours porter des chaussures anti-dérapantes, en particulier avec des doigts de pied en acier. Porter un couvre-chef qui recouvre les cheveux longs.
9. **TOUJOURS PORTER DES LUNETTES DE PROTECTION PENDANT LE TRAVAIL POUR ÉVITER TOUT RISQUE DE BLESSURE DES YEUX.** Les lunettes ordinaires n'assurent pas une protection suffisante parce que les verres ne sont pas faits en verre de sécurité. Par ailleurs, porter un masque sur le visage pour accroître la sécurité, et un masque anti-poussière si le travail doit dégager de la poussière.
10. **TOUJOURS FIXER LA PIÈCE À LA GARDE OU À LA TABLE.** Utiliser des dispositifs de serrage ou un étau pour tenir la pièce. Cela sera plus sûr que de tenir la pièce à la main et libérera les deux mains pour le travail.
11. **NE JAMAIS TROP SE PENCHER.** Toujours garder une bonne assise et un bon équilibre pendant le travail.
12. **TOUJOURS ENTRETENIR LES OUTILS AVEC SOIN.** Maintenir les outils aiguisés et propres pour optimiser le travail et la sécurité. Toujours suivre les instructions de graissage et de remplacement des accessoires.
13. **TOUJOURS DÉBRANCHER L'OUTIL** avant un entretien et lors du remplacement des lames ou de tout autre accessoire.
14. **NE JAMAIS RISQUER UNE MISE EN MARCHÉ INOPINÉE LORSQU'ON BRANCHE L'OUTIL.** Toujours vérifier que l'interrupteur est en position OFF avant de brancher la fiche d'alimentation dans la prise secteur.
15. **TOUJOURS UTILISER EXCLUSIVEMENT LES ACCESSOIRES RECOMMANDÉS POUR L'OUTIL.** Consulter le mode d'emploi pour la description des outils recommandés. Pour éviter tout risque de blessure, utiliser exclusivement les accessoires recommandés pour cet outil.
16. **NE JAMAIS MONTER SUR L'OUTIL.** Pour éviter tout risque de blessures graves, ne pas incliner l'outil, et veiller à ne pas toucher la lame par inadvertance.
17. **TOUJOURS VÉRIFIER SI L'OUTIL A DES PIÈCES ENDOMMAGÉES AVANT DE L'UTILISER.** Toujours vérifier si la protection et les autres composants sont endommagés avant d'utiliser l'outil pour s'assurer qu'ils fonctionneront correctement. Vérifier si toutes les pièces mobiles sont bien alignées, non voilées, ou toute autre condition qui pourrait entraver leur bon fonctionnement. Toujours réparer ou remplacer les protections ou les autres pièces endommagées avant d'utiliser l'outil.
18. **TOUJOURS VÉRIFIER LE SENS DE ROTATION DE LA LAME AVANT D'UTILISER L'OUTIL.** Toujours avancer la pièce dans l'outil contre le sens de rotation de la lame pour éviter tout risque de blessure.
19. **NE JAMAIS S'ÉLOIGNER DE L'OUTIL QUAND IL FONCTIONNE. LE METTRE HORS TENSION.** Ne pas s'éloigner de l'outil tant qu'il n'est pas complètement arrêté. Toujours mettre l'outil hors tension quand on ne s'en sert pas. Toujours débrancher le cordon d'alimentation quand on ne se sert pas de l'outil.
20. L'outil n'est pas conçu pour des applications de fabrication en série, et il ne devra donc pas être utilisé dans un environnement de fabrication en série.
21. Pour les réparations, utiliser exclusivement des pièces de rechange agréées.
22. Alimenter l'outil exclusivement sur un courant alternatif de 120 volts. Une tension ou une alimentation incorrectes pourraient provoquer un mauvais fonctionnement de l'OUTIL ELECTRIQUE et provoquer des blessures physiques ou des dommages matériels graves.
23. Ne jamais relever la lame de la pièce tant qu'elle n'est pas complètement arrêtée.
24. Toujours utiliser des supports extérieurs pour assurer la stabilité des longues pièces qui dépassent de la table de la scie à onglet radiale.
25. Pour éviter tout risque de blessure, toujours ramener le chariot complètement vers l'arrière après chaque coupe en travers.
26. **FICHES POLARISÉES** Pour réduire tout risque de choc électrique, l'appareil possède une fiche polarisée (l'une des lames est plus large que l'autre). Cette fiche ne rentrera dans une prise polarisée que dans un sens. Si la fiche ne rentre pas dans la prise, l'inverser. Si elle ne rentre toujours pas, faire installer une prise appropriée par un électricien qualifié. Ne pas modifier la fiche de quelque façon que ce soit.

Consignes de sécurité spéciales pour cet outil électrique

⚠ AVERTISSEMENT: Pour éviter tout risque de blessure, les consignes de sécurité spéciales suivantes devront être respectées lors de l'utilisation de l'outil.


CHOSSES A FAIRE

TOUJOURS OBSERVER LES CONSIGNES SUIVANTES POUR GARANTIR UNE UTILISATION EN TOUTE SÉCURITÉ:

1. Bien lire le manuel et se familiariser avec les consignes de sécurité et les instructions d'utilisation de l'OUTIL ELECTRIQUE avant de l'utiliser.
2. Toujours vérifier que l'OUTIL ELECTRIQUE est propre avant de l'utiliser.
3. Toujours porter des vêtements bien ajustés et des chaussures anti-dérapantes (de préférence avec des doigts de pied en acier) et des lunettes de protection lorsqu'on utilise l'OUTIL ELECTRIQUE.
4. Toujours manier l'OUTIL ELECTRIQUE avec soin. Si l'OUTIL ELECTRIQUE tombe ou qu'il heurte un objet dur, il risque de se déformer, de se fendiller ou autre dommage.
5. Toujours cesser immédiatement d'utiliser la scie si l'on remarque quelque chose d'anormal.
6. Toujours vérifier que les pièces sont toutes correctement montées et fixées avant d'utiliser l'outil.
7. Pour le remplacement de la lame, toujours vérifier que le régime nominal de la nouvelle lame convient pour l'outil.
8. Toujours mettre l'outil hors tension et attendre que la lame ait complètement cessé de tourner avant tout remplacement ou tout réglage.
9. Pendant une coupe avec chariot, toujours repousser la lame loin de l'opérateur.
10. Toujours visser ou fixer la pièce sur la garde, pour qu'elle ne risque pas d'être éjectée de la table et de provoquer des blessures.
11. Pendant une coupe d'onglet ou de biseau, toujours attendre que la lame ait complètement cessé de tourner avant de la relever.
12. Toujours faire un essai avant d'utiliser la scie pour un nouvel usage.
13. Toujours manipuler la scie avec soin lorsqu'on la démonte ou qu'on la monte.
14. Toujours vérifier qu'il n'y a ni clou ni aucun autre corps étranger dans la pièce avant de commencer une coupe.
15. Toujours éloigner les mains du trajet de lame.
16. Toujours vérifier que le carter de sécurité est en place avant d'utiliser la scie.
17. Toujours vérifier que le carter de sécurité ne gêne pas le mouvement du chariot avant toute coupe avec chariot.
18. Inspecter périodiquement les cordons d'alimentation.
19. Le cas échéant, toujours vérifier que l'on utilise des cordons et des rallonges du type et de la longueur voulus avant de mettre l'outil en marche.
20. Toujours vérifier que les événements d'aération du moteur sont complètement dégagés avant d'utiliser l'outil.
21. Toujours attendre que le moteur ait atteint sa vitesse de régime avant d'entamer une coupe.
22. Toujours maintenir les poignées sèches, propres et sans huile ni graisse. Tenir l'outil fermement pendant le travail.
23. Toujours utiliser des supports extérieurs pour soutenir les pièces longues qui dépassent de la table de la scie à coupe d'onglet.
24. Toujours commencer par s'assurer que la pièce est correctement fixée dans un étau.
25. Le mode d'emploi fourni avec l'outil explique à l'utilisateur comment fixer l'outil sur la structure de support si, pendant un fonctionnement normal, l'outil a tendance à se renverser, à glisser, ou à se déplacer sur la surface de support.

CHOSSES A NE PAS FAIRE

POUR GARANTIR UNE UTILISATION EN TOUTE SÉCURITÉ, NE JAMAIS VIOLER LES CONSIGNES SUIVANTES:

1. Ne jamais utiliser l'OUTIL ELECTRIQUE si l'on ne comprend pas bien les instructions de ce manuel.
2. Ne jamais s'éloigner de l'OUTIL ELECTRIQUE sans débrancher auparavant son cordon d'alimentation.
3. Ne jamais utiliser l'OUTIL ELECTRIQUE quand on est fatigué, après avoir pris des médicaments ou consommé des boissons alcoolisées.
4. Ne jamais utiliser l'OUTIL ELECTRIQUE pour des applications non spécifiées dans ce mode d'emploi.
5. Ne jamais faire fonctionner l'outil si l'on porte des vêtements lâches, une cravate ou des bijoux, ou sans se couvrir les cheveux, pour éviter qu'ils ne se prennent dans les pièces mobiles.
6. Ne jamais approcher les mains de la lame.
7. Ne jamais toucher les pièces en mouvement, y compris la lame, pendant le fonctionnement de la scie.
8. Ne jamais retirer les dispositifs de sécurité ni les protections de lame; l'utilisation de l'outil serait dangereuse sans ces pièces.
9. Ne jamais verrouiller le carter de sécurité; toujours vérifier qu'il glisse régulièrement avant d'utiliser l'outil.
10. Ne jamais endommager le cordon d'alimentation de l'outil.
11. Quand l'OUTIL ELECTRIQUE est branché, ne jamais tenter de le déplacer avec le doigt sur l'interrupteur de marche.
12. Ne jamais utiliser l'OUTIL ELECTRIQUE si l'interrupteur de marche ne fonctionne pas correctement.
13. Ne jamais utiliser l'OUTIL ELECTRIQUE si le logement en plastique ou la poignée sont déformés ou fendillés.
14. Ne jamais utiliser l'OUTIL ELECTRIQUE à proximité d'un liquide ou d'un gaz inflammable, car les étincelles pourraient provoquer une explosion.
15. Ne jamais nettoyer les composants en plastique avec des solvants car cela risquerait de dissoudre le plastique.
16. Ne jamais faire fonctionner la scie si les protections de lame ne sont pas toutes en place.
17. Ne jamais relever la lame de la pièce tant que la lame n'est pas complètement arrêtée.
18. Lors d'une coupe avec chariot, ne jamais tirer la poignée vers l'opérateur car cela pourrait provoquer un retour de lame. Toujours repousser la poignée loin de l'opérateur d'un mouvement régulier et ininterrompu.
19. Ne jamais amener les membres à l'intérieur de la ligne à côté du signe d'avertissement "  " quand l'outil fonctionne. Cela pourrait être dangereux.
20. Ne jamais utiliser de lames de type abrasif avec cette scie.
21. Ne jamais exposer à la pluie ni utiliser dans un endroit humide.
22. Ne jamais couper de métaux ferreux ni de maçonnerie.

AVERTISSEMENT

POUR VOTRE PROPRE SÉCURITÉ, LISEZ ATTENTIVEMENT CE MODE D'EMPLOI AVANT D'UTILISER LA SCIE À COUPE D'ONGLET RADIALE.

1. Toujours porter des lunettes de protection lorsqu'on utilise la scie à coupe d'onglet radiale.
2. Toujours éloigner les mains du trajet de lame.
3. Ne jamais faire fonctionner la scie si les protections ne sont pas en place.
4. Ne jamais effectuer d'opération à la volée avec la scie à coupe d'onglet radiale.
5. Ne jamais s'approcher de la lame.
6. Toujours mettre la scie hors tension et attendre que la lame ait complètement cessé de tourner avant de déplacer la pièce ou de modifier les réglages.

7. Toujours débrancher l'alimentation avant de remplacer la lame ou d'entretenir l'outil.
8. Le diamètre de la lame est de 10" (255mm).
9. La vitesse à vide est de 3800/min.
10. Pour réduire tout risque de blessure, ramener le chariot complètement vers l'arrière après chaque opération de coupe.

PIECES DE RECHANGE

Pour les réparations, utiliser exclusivement des pièces de rechange identiques.
Les réparations devront être effectuées exclusivement par un centre de service après-vente Hitachi agréé.

UTILISER LE CORDON DE RALLONGE APPROPRIÉ

Utiliser exclusivement un cordon de rallonge en bon état. Lorsqu'on utilise un cordon de rallonge, veiller à ce qu'il soit suffisamment lourd pour supporter le courant dont l'appareil aura besoin. Un cordon trop petit provoquera une chute de la tension de ligne, ce qui entraînera une perte de puissance et une surchauffe. Le tableau indique le calibre à utiliser en fonction de la longueur du cordon et de l'intensité nominale indiquée sur la plaque signalétique. En cas de doute, utiliser un calibre supérieur. Plus le numéro du calibre est petit, plus le cordon est lourd.

		CALIBRE MINIMUM DES CORDONS			
		Longueur Totale de Cordon en Pieds (Mètres)			
		0 – 25 (0 – 7,6)	26 – 50 (7,9 – 15,2)	51 – 100 (15,5 – 30,5)	101 – 150 (30,8 – 45,7)
		CALIBRE			
Intensité nominale Supérieure à	Non supérieure à				
	0 – 6	18	16	16	14
	6 – 10	18	16	14	12
	10 – 12	16	16	14	12
	12 – 16	14	12	Non recommandé	

⚠ AVERTISSEMENT: Eviter tout risque de choc électrique. Ne jamais utiliser l'outil avec un cordon électrique ou un cordon de rallonge endommagé ou dénudé. Inspecter régulièrement les cordons électriques. Ne jamais utiliser dans l'eau ou à proximité d'eau, ni dans un environnement susceptible de provoquer un choc électrique.

DOUBLE ISOLATION POUR UN FONCTIONNEMENT PLUS SUR

Pour assurer un fonctionnement plus sûr de cet outil électrique, HITACHI a adopté une conception à double isolation. "Double isolation" signifie que deux systèmes d'isolation physiquement séparés ont été utilisés pour isoler les matériaux conducteurs d'électricité connectés à l'outil électrique à partir du cadre extérieur manipulé par l'utilisateur. C'est pourquoi, le symbole "☐" ou les mots "Double insulation" (double isolation) apparaissent sur l'outil électrique ou sur la plaque signalétique.

Bien que ce système n'ait pas de mise à la terre extérieure, il est quand même nécessaire de suivre les précautions de sécurité électrique données dans ce mode d'emploi, y compris de ne pas utiliser l'outil électrique dans un environnement humide.

Pour garder le système de double isolation effectif, suivre ces précautions:

- * Seuls les CENTRES DE SERVICE AUTORISES HITACHI peuvent démonter et remonter cet outil électrique et uniquement des pièces de rechange HITACHI garanties d'origine doivent être utilisées.
- * Nettoyer l'extérieur de l'outil électrique uniquement avec un chiffon doux légèrement imbibé d'une solution savonneuse et essuyer minutieusement.
- * Ne jamais utiliser de solvants, d'essence ou de diluants sur les parties en plastique; sinon le plastique risquerait de se dissoudre.

**CONSERVER
CES INSTRUCTIONS
ET
LES METTRE A LA DISPOSITION
DES AUTRES UTILISATEURS
ET
PROPRIETAIRES DE CET OUTIL!**

UTILISATION ET ENTRETIEN

REMARQUE: Les informations contenues dans ce manuel sont destinées à vous aider à utiliser et à entretenir l'OUTIL ELECTRIQUE en toute sécurité. Certaines illustrations de ce manuel peuvent montrer des détails ou des fixations qui diffèrent de ceux de votre OUTIL ELECTRIQUE. Par ailleurs, dans certaines illustrations, les protections et les caches ont été intentionnellement supprimés à des fins d'illustration.

NOM DES PIÈCES

MODÈL C10FSH/MODÈL C10FSB

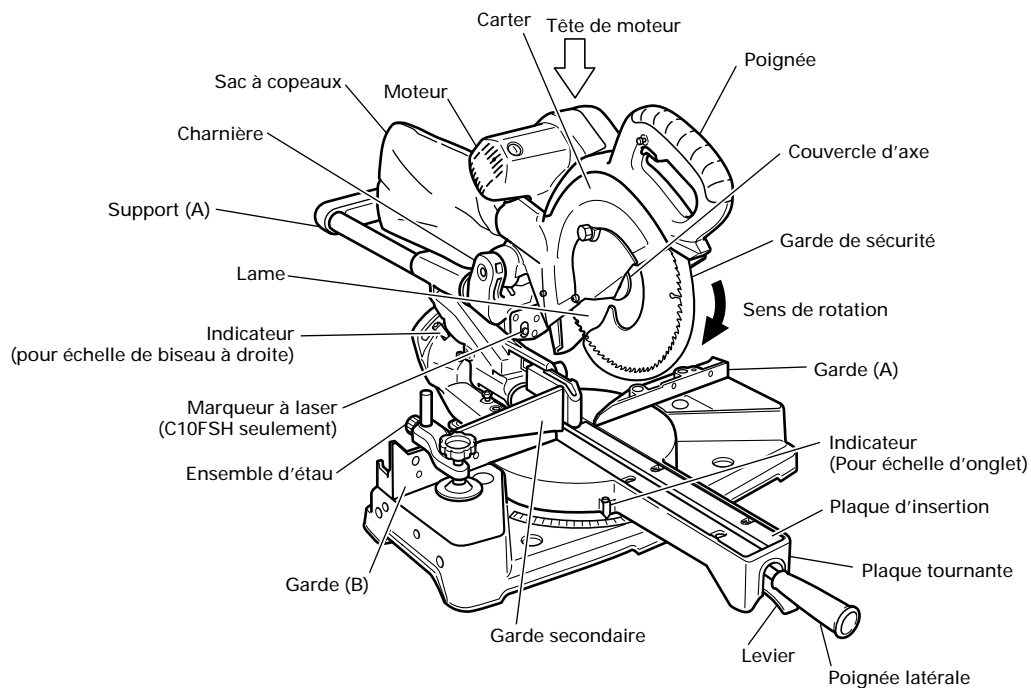


Fig. 1

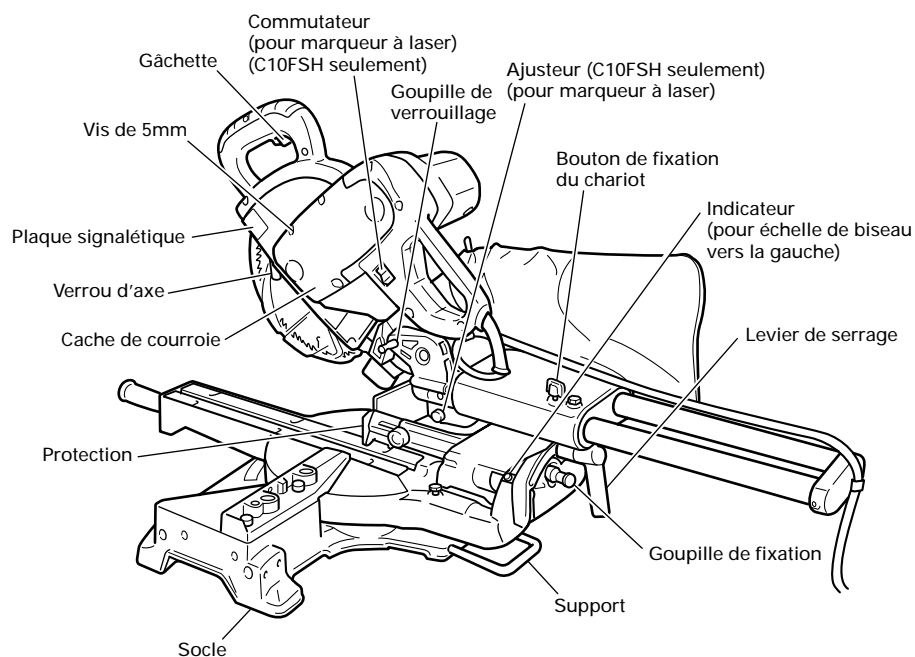


Fig. 2

SPÉCIFICATIONS

Article	Modèle	C 10FSH / C 10FSB			
Moteur	Type	Moteur à commutateur série			
	Alimentation	Courant alternatif monophasé 60 Hz			
	Tension (volts)	120			
	Courant à pleine charge (Amp)	12			
Marqueur laser (Uniquement sur le modèle C10FSH)	Puissance de sortie maximum	<1 mW, appareil laser de la Classe II			
	Longueur d'onde	400 - 700 nm			
	Type de laser	Diode			
Lame applicable	Dia. extérieur 10" (255mm) Dia. d'orifice 5/8" (15,9mm)				
Vitesse à vide	3800 tr/min				
Dimension de coupe max.	Coupe d'onglet	Tête	Plaquette tournante	Dimension de coupe max.	
		0	0	Hauteur max. 3-11/32" (85mm) Largeur max. 12-9/32" (312mm) ou * Hauteur max. 3-9/16" (90mm) Largeur max. 11" (280mm) Avec planche aux. 19/32" (15mm)	
		0	45° à gauche ou 45° à droite	Hauteur max. 3-11/32" (85mm) Largeur max. 8-19/32" (218mm) ou * Hauteur max. 3-9/16" (90mm) Largeur max. 7-1/2" (190mm) Avec planche aux. 19/32" (15mm)	
		0	57° à droite	Hauteur max. 3-11/32" (85mm) Largeur max. 6-1/2" (165mm) ou * Hauteur max. 3-9/16" (90mm) Largeur max. 5-25/32" (147mm) Avec planche aux. 13/32" (10mm)	
	Coupe de biseau	45° à gauche	0	Hauteur max. 2-3/16" (55mm) Largeur max. 12" (305mm) ou * Hauteur max. 2-3/8" (60mm) Largeur max. 11" (280mm) Avec planche aux. 19/32" (15mm)	
			45° à droite	0	Hauteur max. 1-3/16" (30mm) Largeur max. 12" (305mm) ou * Hauteur max. 1-3/8" (35mm) Largeur max. 11" (280mm) Avec planche aux. 19/32" (15mm)
	Coupe mixte	45° à gauche	45° à gauche ou 45° à droite	Hauteur max. 2-3/16" (55mm) Largeur max. 8-19/32" (218mm) ou * Hauteur max. 2-3/8" (60mm) Largeur max. 7-1/2" (190mm) Avec planche aux. 19/32" (15mm)	
			45° à droite	31° à gauche	Hauteur max. 1-3/16" (30mm) Largeur max. 10-7/32" (260mm) ou * Hauteur max. 1-3/8" (35mm) Largeur max. 9-19/32" (230mm) Avec planche aux. 19/32" (15mm)
			45° à droite	45° à droite	Hauteur max. 1-3/16" (30mm) Largeur max. 8-19/32" (218mm) ou * Hauteur max. 1-3/8" (35mm) Largeur max. 7-1/2" (190mm) Avec planche aux. 19/32" (15mm)
Plage de coupe d'onglet	0° - 45° à gauche 0° - 57° à droite				
Plage de coupe de biseau	0° - 45° à gauche 0° - 45° à droite				
Plage de coupe mixte	0° - 45° à gauche (biseau), 0° - 45° à gauche et à droite (onglet) 0° - 45° à droite (biseau), 0° - 31° à gauche (onglet), 0° - 45° à droite (onglet)				
Poids net	43lbs. (19,5kg)				
Cordon	Câble à 2 conducteurs de 6ft. (1,8 m)				

Lors de la coupe d'une pièce d'une dimension de " * ", il est possible que l'extrémité inférieure de la scie circulaire touche la pièce, même si la tête du moteur se trouve située à la limite supérieure. Faire attention lors de la coupe. Pour les détails, voir "APPLICATIONS PRATIQUES", à la page 45. Monter la planche auxiliaire sur la surface de la garde (Voir () pour l'épaisseur de la planche auxiliaire). Voir la section "5. Coupe de pièces volumineuses", page 47 (Fig. 27).

ACCESSOIRES

⚠ AVERTISSEMENT: Les accessoires pour cet outil électrique sont mentionnés dans ce mode d'emploi. L'utilisation de tout autre attachement ou accessoire peut être dangereuse et peut causer des blessures ou des dommages mécaniques.

ACCESSOIRES STANDARD

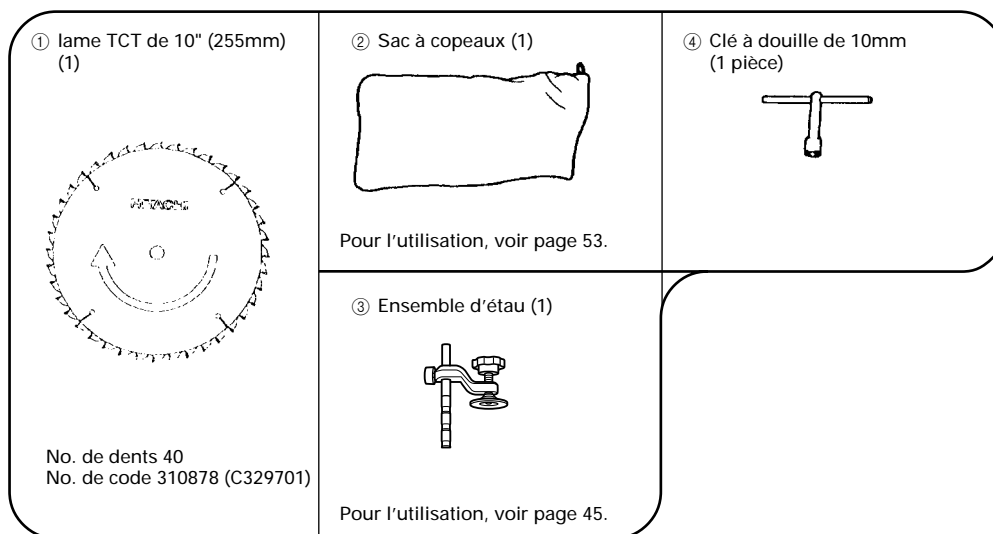


Fig. 3

ACCESSOIRES EN OPTION.....vendus séparément

- ① Support de rallonge et butée (No. de code 321553)
- ② Lame de scie 10" (255mm) Lame de scie TCT (Nombre total de dents: 72) (No. de code 725206)
- ③ Garde secondaire (A) (No. de code 321387)
- ④ Ensemble d'étau de corniche complexe (No. de code 321434) (Comprend la butée (L) de corniche complexe)
- ⑤ Butée (L) de corniche complexe (No. de code 321374)
- ⑥ Butée (R) de corniche complexe (No. de code 321373)

REMARQUE: Les accessoires sont sujets à changement sans obligation de la part de HITACHI.

APPLICATIONS

Cadres en bois et en aluminium.

PRÉPARATION AVANT L'UTILISATION

Avant de mettre l'outil électrique en service, effectuer les préparations suivantes :

1. Installation

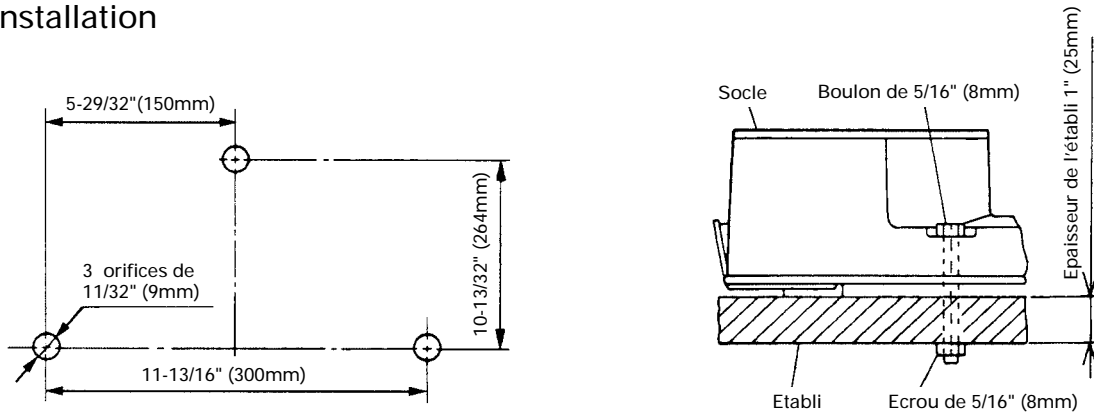


Fig. 4

Fixer l'outil électrique sur un établi horizontal et de niveau conformément à la Fig. 4.

Sélectionner des boulons d'un diamètre 5/16" (8mm) dont la longueur convient pour l'épaisseur de l'établi.

La longueur des boulons devra être d'au moins 1-9/16" (40mm) plus l'épaisseur de l'établi.

Par exemple, utiliser des boulons de 2-9/16" (65mm) ou plus avec un établi de 1" (25mm) d'épaisseur.

Le support (B) fixé à l'arrière du socle aide à stabiliser l'outil électrique.

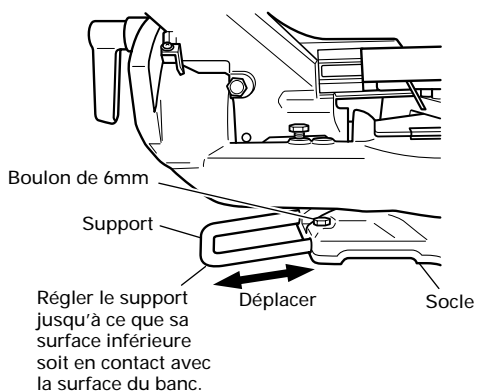


Fig. 5

Réglage du support

Desserrer le boulon de 6mm à l'aide de la clé à douille de 10mm fournie.

Régler le support jusqu'à ce que sa surface inférieure soit en contact avec la surface du banc.

Après le réglage, visser le boulon de 6mm à fond.

2. Libérer la goupille de verrouillage

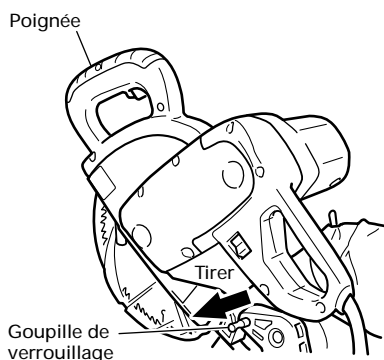


Fig. 6

Quand l'outil électrique quitte nos usines, ses pièces principales sont fixées à l'aide d'une goupille de verrouillage.

Déplacer légèrement la poignée de façon à dégager la goupille de verrouillage.

REMARQUE: La goupille de verrouillage se dégagera plus facilement et plus sûrement si l'on abaisse légèrement la poignée.

La position verrouillée de la goupille de verrouillage ne doit servir que pour le transport et le remisage.

3. Installer le sac à copeaux, le support, la butée et les étaux

(Le support et la butée sont des accessoires en option.)

Fixer le sac à copeaux et l'ensemble d'étau comme indiqué sur la Fig. 1 et Fig. 2.

AVANT L'UTILISATION

1. S'assurer que la source d'alimentation convient pour l'outil.

⚠ AVERTISSEMENT: Ne jamais raccorder l'outil électrique si l'alimentation secteur n'est pas de la tension spécifiée sur la plaque signalétique de l'outil.
Ne jamais raccorder l'outil à une source de courant continu.

2. Vérifier que la gâchette est sur OFF.

⚠ AVERTISSEMENT: Si l'on raccorde le cordon d'alimentation alors que la gâchette est enclenchée, l'outil se mettra brusquement en marche, ce qui peut provoquer un grave accident.

3. Vérifier s'il y a des défauts visibles sur la lame.

S'assurer qu'il n'y a ni fissures ni dommages visibles sur la lame.

4. Vérifier que la lame est solidement fixée sur l'outil électrique.

A l'aide de la clé à douille de 10mm, serrer le boulon de l'axe de la lame pour fixer la lame.

Pour les détails, voir Fig. 51-a, Fig. 51-b et Fig. 51-c dans la section "INSTALLATION ET RETRAIT DE LA LAME".

5. Vérifier que le garde de sécurité fonctionne correctement.

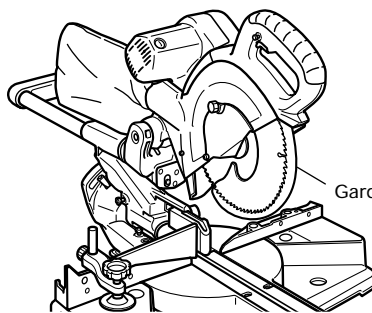


Fig. 7

Le garde de sécurité est conçu pour protéger l'opérateur contre tout contact avec la lame pendant le fonctionnement de l'outil.
Toujours vérifier que le garde de sécurité se déplace en souplesse et qu'il recouvre bien la lame.

⚠ AVERTISSEMENT: NE JAMAIS FAIRE FONCTIONNER L'OUTIL ÉLECTRIQUE si le carter de sécurité ne se déplace pas en souplesse.

6. Vérifier la position du verrou d'axe avant d'utiliser l'outil.

Avant d'installer la lame, vérifier que le verrou d'axe est revenu sur sa position rentrée avant d'utiliser l'outil électrique (voir Fig. 2).

7. Vérifier la position de limite inférieure de la lame.

Bien que la lame ait été réglée en usine, vérifier soigneusement sa hauteur. S'assurer que la lame peut être abaissée de 13/32" à 7/16" (10 à 11mm) en-dessous de la plaque d'insertion. Pour les détails, voir la section "Vérification de la limite de position inférieure de la lame".

8. Vérifier la prise d'alimentation.

Pour éviter toute surchauffe, arrêt accidentel ou fonctionnement intermittent, vérifier que la fiche du cordon d'alimentation rentre à fond dans la prise secteur et qu'elle ne ressort pas après l'insertion. Réparer ou remplacer la fiche si elle est défectueuse.

9. Vérifier que le cordon d'alimentation de l'outil n'est pas endommagé.

Réparer ou remplacer le cordon si l'on constate un dommage.

APRÈS AVOIR BRANCHÉ LA FICHE D'ALIMENTATION DANS UNE SOURCE D'ALIMENTATION APPROPRIÉE, VÉRIFIER LE FONCTIONNEMENT DE L'OUTIL COMME SUIV :

10. Marche d'essai

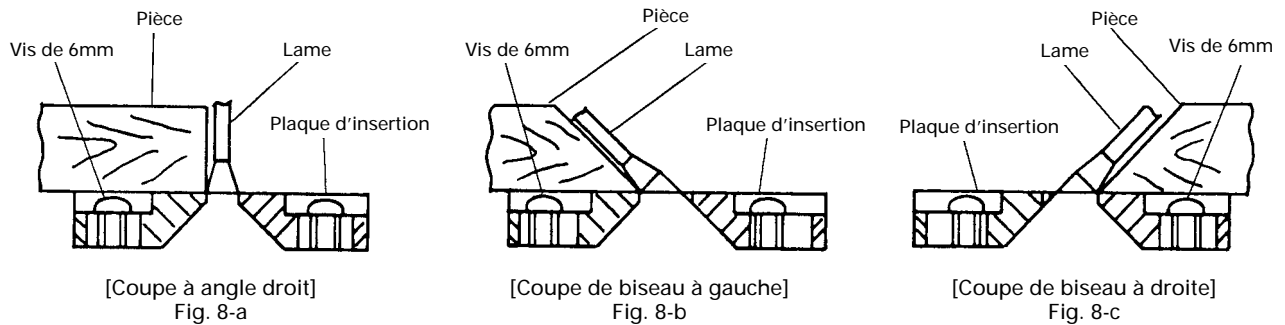
Après avoir vérifié qu'il n'y a personne derrière, mettre l'outil électrique en marche et vérifier qu'il n'y a pas d'anomalie de fonctionnement avant d'effectuer une coupe.

11. Vérifier la stabilité de rotation de la lame.

Pour assurer des coupes précises, faire tourner la lame et vérifier qu'il n'y a pas de flèche pour s'assurer que la lame ne présente pas d'instabilité évidente ; sinon, cela risque de provoquer des vibrations et un accident.

AVANT LA COUPE

1. Installation de la plaque d'insertion



Les plaques d'insertion s'installent sur la plaque tournante. Quand l'outil quitte nos usines, les plaques d'insertion sont fixées de façon que la lame n'entre pas en contact avec. Les ébarbures sur le fond de la pièce seront considérablement réduites si la plaque d'insertion est fixée de façon que l'écart entre la surface latérale de la plaque d'insertion et la lame soit minimal. Avant d'utiliser l'outil, supprimer cet écart en procédant comme suit.

(1) Coupe à angle droit

Desserrer les trois vis de 6mm, puis mettre la plaque d'insertion de gauche et fixer provisoirement les vis de 6mm aux deux extrémités. Puis, fixer une pièce d'environ 7-7/8" (200mm) avec l'ensemble d'étau et la couper. Aligner la surface de coupe sur le bord de la plaque d'insertion, et visser solidement les vis de 6mm aux deux extrémités. Retirer la pièce et visser solidement la vis centrale de 6mm. Régler la plaque d'insertion de droite de la même manière.

(2) Coupe de biseau à gauche et à droite

Régler la plaque d'insertion comme indiqué à la Fig. 8-b et Fig. 8-c en procédant comme pour la coupe à angle droit.

⚠ ATTENTION: Après avoir réglé la plaque d'insertion pour la coupe à angle droit, la plaque d'insertion sera légèrement coupée si on l'utilise pour des coupes de biseau. Pour effectuer une coupe de biseau, régler la plaque d'insertion pour une coupe à angle de biseau.

2. Vérification de la position limite inférieure de la lame de scie

S'assurer que la lame de scie peut être abaissée de 13/32" à 7/16" (10 à 11mm) en dessous de la plaque d'insertion de table, comme le montre la Fig. 9.

Lorsque l'on remplace une lame de scie par une lame neuve, régler la position limite inférieure de telle manière que la lame de scie ne coupe pas la plaque tournante et que la coupe complète peut être réalisée.

Pour régler la position limite inférieure de la lame de scie, procéder aux opérations (1) à (4) ci-dessous. (Fig. 10)

Par ailleurs, lorsque l'on change la position du boulon de 8mm de réglage de profondeur qui sert de butée pour la position limite inférieure de la lame de scie, il devient nécessaire de décaler la position de la vis de 8mm de réglage hexagonale qui se trouve dans le perçage de 8mm du boulon de réglage de profondeur qui sert de butée.

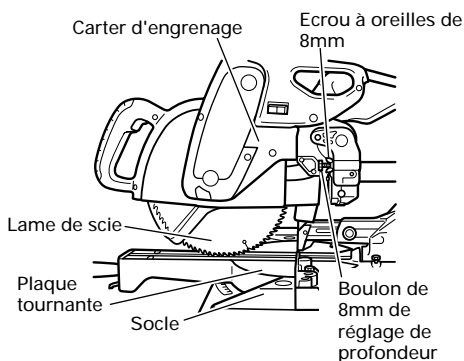


Fig. 9

(1) Desserrer l'écrou à oreilles de 8mm.

(2) Introduire la clé à douille hexagonale de 6mm derrière l'outil et tourner la vis de 8mm de réglage hexagonale vers la gauche (dans le sens contraire des aiguilles d'une montre) quand elle est vue de derrière l'outil.

(3) Tourner le boulon de 8mm de réglage de profondeur, changer la hauteur à laquelle la tête du boulon et le carter d'engrenage sont en contact et régler la position limite inférieure de la lame de scie. Un tour du boulon de 8mm de réglage de profondeur change la position limite inférieure de la lame de scie d'environ 5/16" (8mm); cette valeur peut être utilisée comme guide grossier.

- (4) Tourner la vis de 8mm de réglage hexagonale vers la droite (dans le sens des aiguilles d'une montre) quand elle est vue de derrière l'outil et s'assurer qu'elle doucement en contact avec l'extrémité du boulon de 8mm de réglage de profondeur.

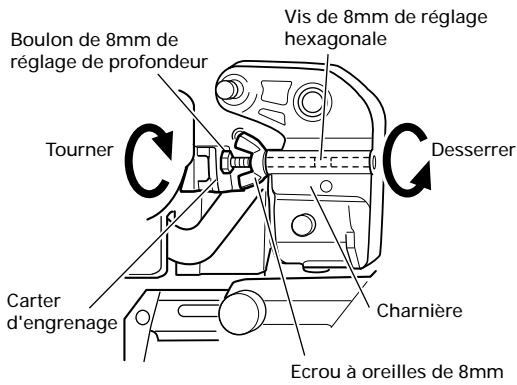


Fig. 10

3. Position limite inférieure de la lame de scie pour la coupe d'une pièce importante

REMARQUE: Pour couper à angle droit une pièce dont la hauteur excède 3-11/32" (85mm) et pour faire une coupe en biseau à gauche d'une pièce dont la hauteur excède 2-3/16" (55mm) ou une coupe en biseau à droite d'une pièce dont la hauteur excède 1-3/16" (30mm), régler la position limite inférieure de manière que la base de la tête du moteur (se reporter à la Fig. 9) ne vienne pas en contact avec la pièce.

Pour régler la position limite inférieure de la lame de scie, procéder aux opérations (1) à (3) de la figure 10-a.

- (1) Desserrer l'écrou à oreilles de 8mm de manière que le boulon de 8mm de réglage de profondeur puisse être tourné à la main.
- (2) Abaisser la tête du moteur et tourner le boulon de 8mm de réglage de profondeur à la main et régler de manière qu'il y ait un jeu de 3/32" à 1/8" (2 à 3mm) entre la position limite inférieure de la tête du moteur et le dessus de la pièce pour la position limite inférieure de la lame de scie (position où la tête du boulon de 8mm de réglage de profondeur vient en contact avec le carter d'engrenage.)
- (3) Après réglage, tourner l'écrou à oreilles de 8mm jusqu'à ce qu'il vienne en contact avec la charnière (se reporter à la Fig. 10) puis serrer à fond.

4. Vérification de l'utilisation de la garde secondaire

⚠ AVERTISSEMENT: Dans le cas d'une coupe en biseau à gauche, tourner la garde secondaire dans le sens contraire des aiguilles d'une montre. L'outil ou la lame de scie peuvent entrer en contact avec la garde secondaire sauf si elle est tournée dans le sens contraire des aiguilles d'une montre, ce qui peut provoquer des blessures graves.

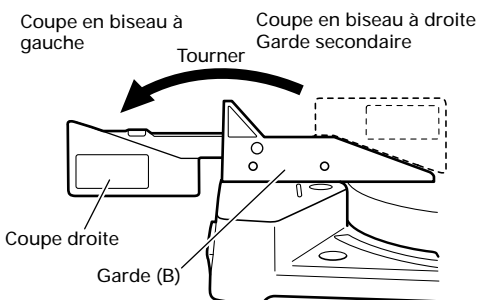


Fig. 11

Cet outil électrique est équipé d'une garde secondaire. Dans le cas d'une coupe droite ou d'une coupe en biseau à droite, utiliser la garde secondaire. Dans ces conditions, il est possible d'effectuer une coupe stable du matériau avec une face arrière large. Dans le cas d'une coupe en biseau à gauche, soulever la garde secondaire comme le montre la Fig. 11 puis la tourner dans le sens contraire des aiguilles d'une montre.

5. Angle oblique

Quand l'outil quitte nos usines, il est réglé pour un angle droit de 0°, un angle de coupe de biseau de 45° à gauche et un angle de coupe de biseau de 45° à droite avec le boulon de 8mm (A), le boulon de 8mm (B) et le boulon de 8mm (C).

Pour modifier le réglage, changer la hauteur du boulon de 8mm (A), du boulon de 8mm (B) et du boulon de 8mm (C) en les tournant.

Pour régler l'angle de biseau sur 45°, tirer la goupille de fixation dans le sens indiqué sur la Fig. 12-a et incliner la tête du moteur vers la droite.

Lors du réglage de la tête du moteur sur 0°, replacer la goupille de fixation dans sa position initiale, comme le montre la figure 12-b.

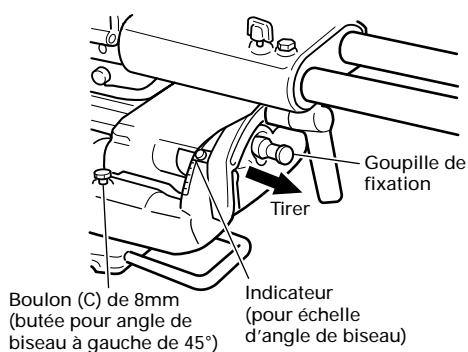


Fig. 12-a

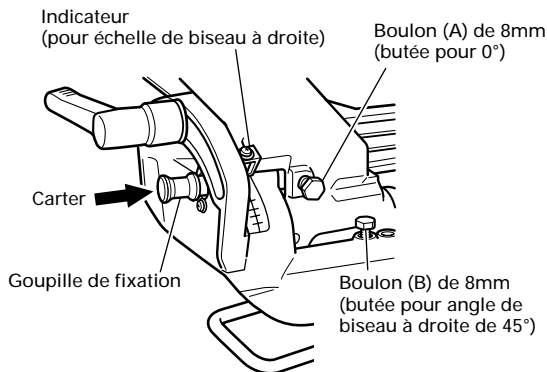


Fig. 12-b

6. Fixation de la pièce

⚠ AVERTISSEMENT: Toujours utiliser un dispositif de fixation ou l'étau pour fixer la pièce à la garde ; sinon, la pièce risque d'être éjectée de la table et de blesser quelqu'un.

7. Installation des supports ... (Accessoires en option)

Les supports permettent de fixer et de stabiliser les pièces longues pendant la coupe.

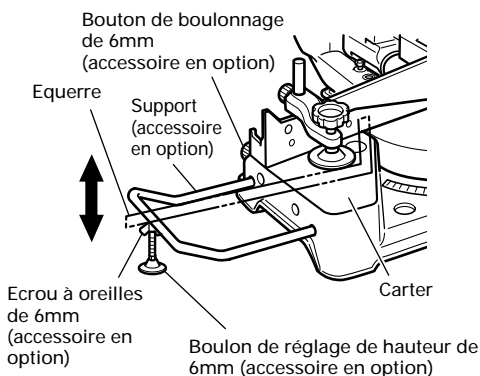


Fig. 13

(1) Comme indiqué à la Fig. 13, utiliser une équerre en acier pour aligner le bord supérieur des supports sur la surface du socle. Desserrer l'écrou à oreilles de 6mm. Tourner un boulon de réglage de hauteur de 6mm, et régler la hauteur du support.

(2) Après le réglage, serrer fermement l'écrou à oreilles et fixer le support avec la vis moletée de 6 mm (accessoire en option). Si la longueur du boulon de réglage de la hauteur de 6 mm est insuffisante, insérer une plaque mince dessous. S'assurer que l'extrémité du boulon de réglage de la hauteur de 6 mm ne dépasse pas du support.

8. Butée pour la précision de coupe ... (La butée et le support sont des un accessoires en option.)

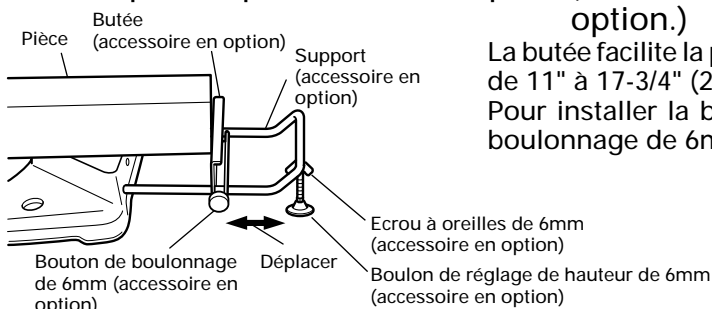


Fig. 14

La butée facilite la précision des coupes continues sur des longueurs de 11" à 17-3/4" (280 à 450mm).

Pour installer la butée, la fixer au support à l'aide du bouton de boulonnage de 6mm comme indiqué à la Fig. 14.

9. Vérification de l'utilisation de la garde secondaire (A) ... (Accessoire en option)

⚠ AVERTISSEMENT: Dans le cas d'une coupe en biseau à droite, déposer la garde secondaire (A). Si elle n'est pas déposée, elle peut entrer en contact avec la lame ou une autre partie de l'outil, ce qui peut provoquer des blessures graves à l'utilisateur.

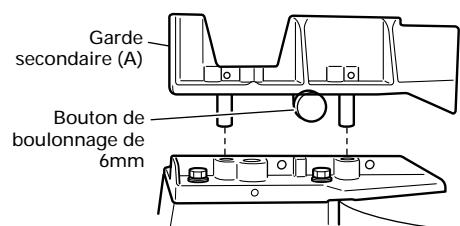


Fig. 15

Dans le cas d'une coupe droite ou d'une coupe en biseau, utiliser la garde secondaire (A). La garde secondaire (A) peut être installée sur le côté droit de la garde de guidage. Introduire les tiges de la garde secondaire (A) dans les perçages de la garde de guidage.

Serrer le bouton de boulonnage de 6mm qui est fourni avec la garde secondaire (A) pour assurer la fixation de la garde secondaire (A). Dans ces conditions, il est possible d'effectuer une coupe stable du matériau avec une face arrière large.

10. Réglage de la position de la ligne laser (Uniquement pour le modèle C10FSH)

- ⚠ AVERTISSEMENT:**
- * Avant de brancher la fiche du cordon d'alimentation sur une prise secteur, s'assurer que l'outil est le marqueur à laser sont hors service.
 - * Exercer la plus grande attention dans la manoeuvre du commutateur de positionnement de la ligne laser quand la fiche du cordon d'alimentation est branchée sur une prise secteur pour le fonctionnement. Si le commutateur est actionné par inadvertance, la lame de scie peut entrer en rotation et il peut en résulter des accidents.
 - * Ne pas démonter le marqueur à laser et s'en servir pour autre chose.

⚠ ATTENTION:

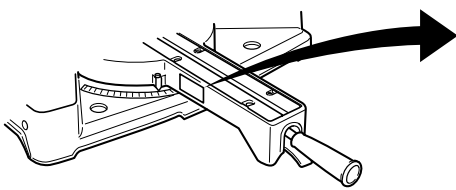


Fig. 16

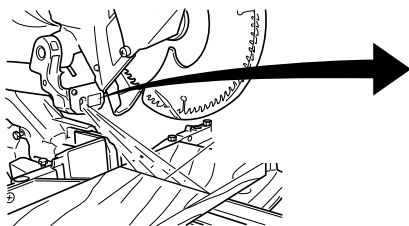
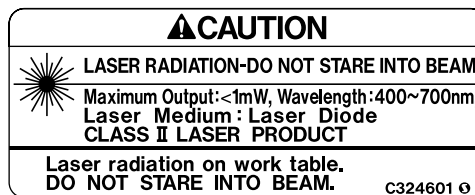
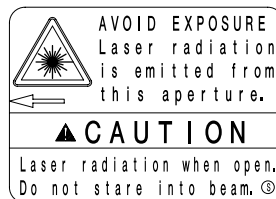


Fig. 17



- * Rayonnement laser -- Ne pas regarder le faisceau.
- * Rayonnement laser sur la table de travail. Ne pas regarder le faisceau. L'exposition au faisceau laser peut gravement endommager la vue.
- * Ne pas démonter.
- * Ne pas heurter le marqueur laser (corps principal de l'outil); en effet, cela peut dérégler la position de la ligne laser provoquant un endommagement du marqueur laser et une diminution de la durée de service.
- * Ne conserver le laser allumé que pendant l'opération de coupe. L'allumage prolongé du laser peut entraîner une diminution de la durée de service.
- * L'utilisation de commandes ou de réglages ou l'exécution de procédures autres que ceux spécifiés dans cette brochure risquent d'entraîner une exposition à un rayonnement dangereux.

- REMARQUES:**
- * Effectuer la coupe en faisant chevaucher le ligne tracée à l'encre et la ligne laser.
 - * Si la ligne tracée à l'encre et la ligne laser se chevauchent, la puissance et la faiblesse de la lumière sont modifiées, ce qui permet une coupe stable car on peut alors discerner la superposition des lignes. Cela garantit les plus petites erreurs de coupe.
 - * En extérieur ou près d'une fenêtre, il peut être difficile d'observer la ligne laser du fait de la lumière du soleil. Dans ces conditions, se placer dans un endroit qui n'est pas exposé à la lumière directe du soleil et procéder à la coupe.
 - * Ne pas faire passer le cordon d'alimentation derrière la tête du moteur, ne pas l'entourer autour d'un doigt, d'un morceau de bois et ainsi de suite; en effet, la fiche du cordon d'alimentation peut se débrancher et le marqueur laser ne pas s'allumer.

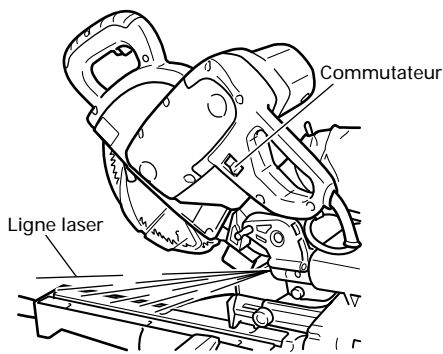


Fig. 18

Le tracé à l'encre peut aisément être réalisé sur cet outil grâce au marqueur laser. Un commutateur est prévu pour allumer le marqueur laser. (Fig. 18)

Selon le choix de la coupe, la ligne laser peut être alignée avec le côté gauche de la coupe (lame de scie) ou le côté droit de la coupe. La ligne laser est réglée sur la largeur de la lame au moment de quitter l'usine. Régler la position de la lame de scie et de la ligne laser en procédant comme il est dit ci-dessous pour répondre au choix désiré.

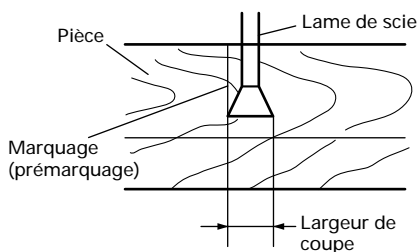


Fig. 19

(1) Allumer le marqueur laser et marquer une rainure de 3/16" (5mm) environ de profondeur sur la pièce qui a une hauteur de 25/32" (20mm) et une largeur de 5-29/32" (150mm). Maintenir la pièce rainurée dans un étau telle qu'elle est et ne pas la déplacer. Pour réaliser la rainure, se reporter à "11. Procédures de coupe d'encoche, page 52.

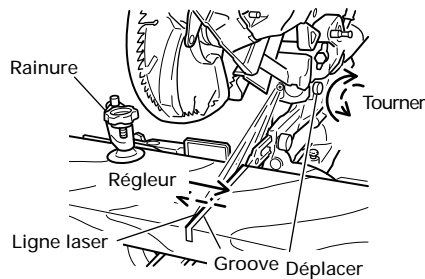


Fig. 20

(2) Cela fait, tourner le réglage et décaler la ligne laser. (Quand on tourne le réglage dans le sens des aiguilles d'une montre, la ligne laser se décale vers la droite et quand on tourne le réglage dans le sens contraire des aiguilles d'une montre, la ligne laser se décale vers la gauche.) Si on travaille avec la ligne tracée à l'encre sur le côté gauche de la lame de scie, il faut aligner la ligne laser avec le côté gauche de la rainure. (Fig. 20) Si on travaille avec la ligne tracée à l'encre sur le côté droit de la lame de scie, il faut aligner la ligne laser avec le côté gauche de la rainure.

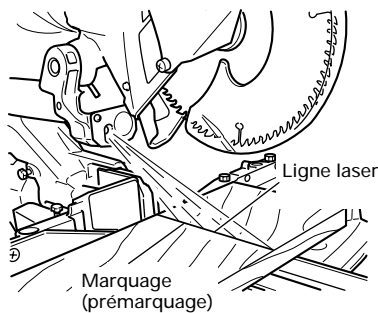


Fig. 21

(3) Après avoir réglé la position de la ligne laser, tracer à l'encre une ligne à angle droit sur la pièce et aligner la ligne tracée à l'encre et la ligne laser. Pour aligner la ligne tracée à l'encre, faire glisser la pièce petit à petit et la maintenir dans un étau à l'endroit où la ligne laser chevauche la ligne tracée à l'encre. Effectuer un autre rainurage et vérifier la position de la ligne laser. Pour changer la position de la ligne laser, effectuer à nouveau les réglages prévus aux opérations (1) à (3).

REMARQUE: Vérifier et s'assurer périodiquement que la position de la ligne laser est convenable. Pour effectuer la vérification, tracer à l'encre une ligne perpendiculaire sur la pièce de 25/32" (20mm) de hauteur et de 5-29/32" (150mm) de largeur et s'assurer que la ligne laser est alignée sur la ligne tracée à l'encre. [L'écart entre la ligne tracée à l'encre et la ligne laser doit être inférieure à l'épaisseur de la ligne tracée à l'encre (0,5mm)]. (Fig. 21)

APPLICATIONS PRATIQUES

- ⚠ AVERTISSEMENT:** * Pour éviter tout risque de blessure, ne jamais retirer ni installer la pièce sur la table pendant que l'outil fonctionne.
 * Ne jamais amener les membres à l'intérieur de la ligne à côté du signe d'avertissement pendant que l'outil fonctionne. Cela pourrait être dangereux (voir Fig. 22).

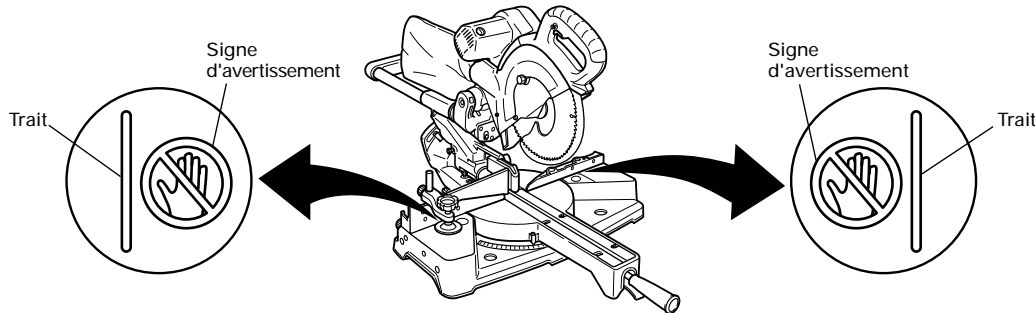


Fig. 22

1. Fonctionnement de l'interrupteur

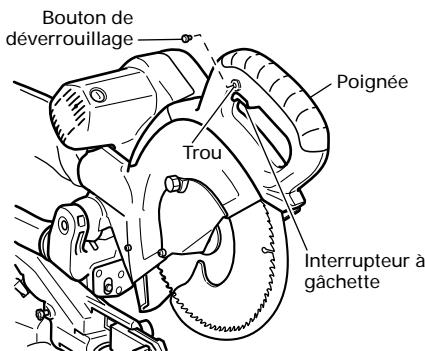


Fig. 23

Le bouton de déverrouillage de l'interrupteur à gâchette est conçu pour éviter tout fonctionnement inopiné pendant le travail. Pour pouvoir utiliser l'outil électrique, il faudra tout d'abord enfoncer à fond le bouton de déverrouillage dans l'orifice de la poignée comme indiqué sur la Fig. 23.

L'interrupteur à gâchette ne fonctionne pas si le bouton de déverrouillage n'est pas enfoncé.

Quand on relâche l'interrupteur à gâchette, l'outil s'arrête et le bouton de déverrouillage revient automatiquement à sa position initiale, ce qui verrouille l'interrupteur à gâchette.

- ⚠ AVERTISSEMENT:** Toujours retirer le bouton de déverrouillage de la poignée quand on ne sert pas de l'outil, de sorte que l'outil électrique ne puisse pas être mis sous tension et que les personnes non qualifiées (en particulier les enfants) ne puissent pas l'utiliser. Si on laisse le bouton de déverrouillage sur la poignée, cela risque de provoquer de graves blessures. Le bouton de déverrouillage étant assez serré, il faudra peut-être le tourner vers la gauche ou vers la droite pendant le montage ou le démontage.

2. Utilisation de l'ensemble d'étau (Accessoire standard)

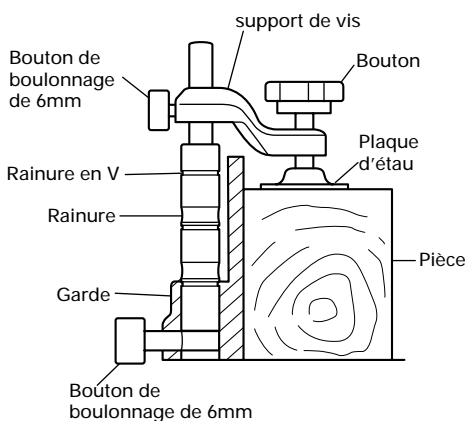


Fig. 24

L'ensemble d'étau pourra être monté sur la garde gauche (garde (A)) ou sur la garde droite (garde (B)), et il pourra être relevé ou abaissé en fonction de la hauteur de la pièce.

Pour lever ou abaisser l'ensemble d'étau, desserrer tout d'abord le boulon de boulonnage de 6mm. Comme le montre la Fig. 24, l'axe de l'étau possède trois rainures de blocage dans lesquelles l'extrémité du boulon à oreilles de 6mm est conçue pour s'introduire de manière à verrouiller le support de vis dans la position désirée.

Pour s'assurer que l'extrémité du boulon à oreilles de 6mm est convenablement alignée avec la rainure de blocage sur l'axe de l'étau, aligner simplement la partie supérieure de la garde sur l'une des trois rainures en V à la surface de l'axe de l'étau ou sur la surface inférieure du support de vis.

En conséquence, l'ensemble d'étau peut être fixé dans une des trois positions possibles pour obtenir le réglage de hauteur voulu. Après réglage de la hauteur, serrer soigneusement le boulon à oreilles de 6mm puis tourner le bouton supérieur, autant que nécessaire, pour fixer soigneusement la pièce en position.

⚠ ATTENTION: Toujours vérifier que la tête du moteur (voir Fig. 1) n'entre pas en contact avec l'ensemble d'étau quand on l'abaisse pour la coupe. Si ce risque existe, desserrer légèrement le bouton de boulonnage de 8mm et déplacer l'ensemble d'étau jusqu'à un point où il n'entrera pas en contact avec la lame.

Dans le cas d'une coupe mixte à angle de biseau à gauche et à angle d'onglet à gauche, il est possible de fixer une pièce de 2-3/16" (55mm) maximum avec un étau monté sur le côté gauche. Si la hauteur de la pièce dépasse 2-3/16" (55mm), monter l'ensemble d'étau du côté opposé à l'inclinaison de la tête du moteur. Pour les autres coupes mixtes (coupe de biseau à gauche + coupe d'onglet à droite, coupe de biseau à droite + coupe d'onglet à gauche, et coupe de biseau à droite + coupe d'onglet à droite), monter l'ensemble d'étau du côté opposé à l'inclinaison de la tête du moteur pour éviter que l'ensemble d'étau n'entre en contact avec la tête du moteur.

3. Coupe

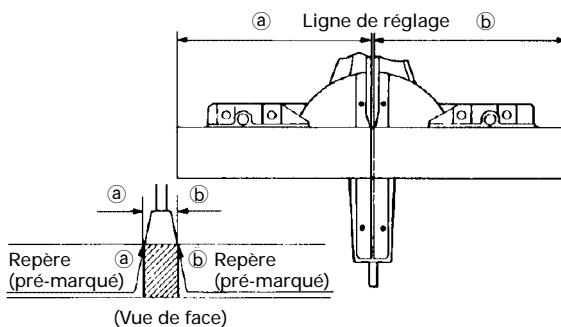


Fig. 25

- (1) Comme indiqué à la Fig. 25, la largeur de la lame est la largeur de coupe. En conséquence, glisser la pièce vers la droite (vue de la position de l'opérateur) pour obtenir la longueur **b**, et sur la gauche pour obtenir la longueur **a**.

(Uniquement pour le modèle C10FSH)

Si le marqueur laser est utilisé, aligner la ligne laser sur le côté gauche de la lame de scie, puis aligner la ligne tracée à l'encre sur la ligne laser.

- (2) Quand la lame a atteint sa vitesse maximale, abaisser doucement la poignée jusqu'à ce que la lame approche de la pièce.
- (3) Quand la lame touche la pièce, appuyer progressivement sur la poignée pour couper la pièce.
- (4) Quand la pièce est coupée à la longueur voulue, mettre l'outil électrique hors tension et attendre que la lame soit complètement arrêtée avant de relever la poignée en position complètement rentrée.

⚠ ATTENTION: * Une pression accrue sur la poignée n'augmentera pas la vitesse de coupe. Au contraire, une pression excessive risque de surcharger le moteur et/ou de réduire le rendement.

⚠ AVERTISSEMENT: * Vérifier que l'interrupteur à gâchette est coupé (OFF) et que la fiche d'alimentation est débranchée de la prise secteur quand on ne se sert pas de l'outil.

* Toujours retirer le bouton de déverrouillage de la poignée et le ranger en lieu sûr après le travail.

* Couper l'alimentation et attendre que la lame de scie soit complètement arrêtée avant de soulever la poignée de la pièce.

Si la poignée de la pièce est soulevée alors que la lame de scie tourne encore, le morceau coupé peut se bloquer contre la lame et des fragments peuvent être projetés dangereusement.

* Chaque fois qu'une opération de coupe normale ou profonde est terminée, mettre le commutateur sur la position d'arrêt et s'assurer que la lame de scie est arrêtée. Cela fait, soulever la poignée et la replacer dans la position de retrait total.

* Ne pas oublier de retirer les morceaux coupés de dessus la plaque tournante avant de procéder à l'opération suivante.

* La coupe continue peut conduire à une surcharge du moteur. Toucher le moteur et quand il est chaud, arrêter la coupe et attendre 10 minutes environ puis redémarrer les opérations de coupe.

4. Coupe de pièces minces (Coupe à pression simple)

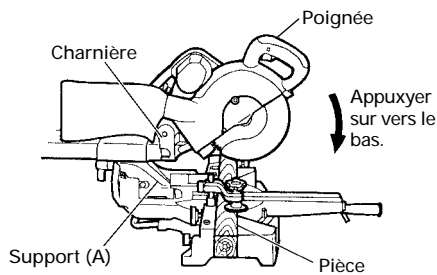


Fig. 26

Glisser la charnière sur le support (A), et serrer le bouton de fixation de glissière comme (Voir Fig. 2) indiqué à la Fig. 26. Abaisser la poignée pour couper la pièce. Cette façon d'utiliser l'outil électrique permet de couper des pièces d'une section allant jusqu'à 3-11/32" (85mm).

5. Coupe de pièces volumineuses

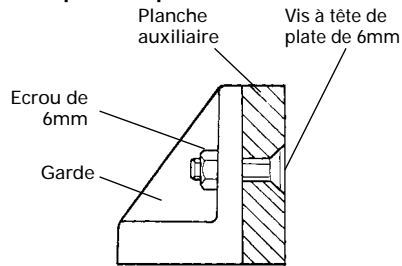


Fig. 27

Il peut arriver que la coupe ne puisse pas s'effectuer complètement en fonction de la hauteur de la pièce. Dans ce cas, monter une planche auxiliaire à l'aide des vis à tête plate de 6mm et des écrous de 6mm en utilisant les orifices de 7mm de la surface de la garde (deux orifices de chaque côté). (Fig. 27)

Pour l'épaisseur de la planche auxiliaire, voir page 36 "SPÉCIFICATIONS".

6. Coupe de pièces larges (Coupe avec chariot)

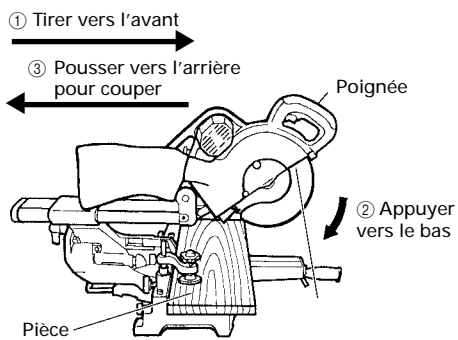


Fig. 28

(1) Pièces d'une hauteur allant jusqu'à 3-11/32" (85mm) et d'une largeur allant jusqu'à 12-9/32" (312mm): Desserrer le bouton de fixation de glissière et incliner la lame vers l'avant (Voir Fig. 2).

Puis, appuyer sur la poignée et ramener la lame vers l'arrière pour couper la pièce comme indiqué à la Fig. 28. Cela facilitera la coupe des pièces d'une hauteur allant jusqu'à 3-11/32" (85mm) et d'une largeur allant jusqu'à 12-9/32" (312mm).

(2) Pièces d'une hauteur allant jusqu'à 3-9/16" (90mm) et d'une largeur allant jusqu'à 11" (280mm): Les pièces d'une hauteur allant jusqu'à 3-35/64" (90mm) et d'une largeur allant jusqu'à 11" (280mm) se coupent de la même façon que décrit au paragraphe 6 - (1) ci-dessus.

⚠ ATTENTION: * Lorsqu'on coupe une pièce de 3-11/32" (85mm) de hauteur, régler la position de limite inférieure de la tête du moteur de façon que l'écart entre le bord inférieur de la tête du moteur et la pièce soit de 3/32" à 1/8" (2 à 3mm) à la position de limite inférieure.

* Si l'on appuie trop fort ou de biais sur la poignée, la lame risque de vibrer pendant la coupe, ce qui laissera des marques de coupe peu esthétiques sur la pièce et réduira la qualité de coupe.

On abaissera donc la poignée doucement et avec soin.

* Lors d'une coupe avec chariot, ramener délicatement la poignée (vers l'arrière) d'un mouvement régulier et ininterrompu.

Le fait d'arrêter la poignée pendant la coupe laissera des marques de coupe peu esthétiques sur la pièce.

⚠ AVERTISSEMENT: * Lors d'une coupe avec chariot, procéder comme indiqué à la Fig. 28. Une coupe avec chariot vers l'avant (vers l'opérateur) serait très dangereuse car la lame pourrait effectuer un retour vers le haut. En conséquence, toujours déplacer la poignée loin de l'opérateur.

* Toujours ramener le chariot complètement vers l'arrière après chaque coupe en travers de façon à réduire tout risque de blessure.

* Ne jamais mettre la main sur la poignée latérale pendant une coupe car la lame vient tout près de la poignée latérale lorsque la tête du moteur est abaissée.

7. Procédure de coupe de biseau

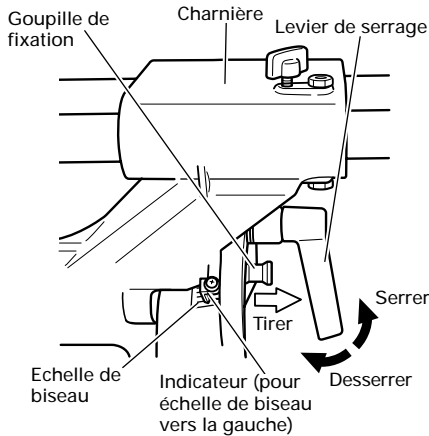


Fig. 29

- (1) Desserrer le levier de serrage et incliner la lame vers la gauche ou vers la droite.
Quand on incline la tête du moteur vers la droite, tirer la goupille de fixation vers l'arrière.
Le levier de verrouillage est doté d'un système de maintien. Lors du contact avec l'établi et l'outil, tirer le levier de verrouillage dans la direction de la flèche comme le montre Fig. 29, puis changer le sens du levier de verrouillage.
- (2) Régler l'angle de biseau à l'angle voulu tout en regardant l'échelle d'angle de biseau et l'indicateur, puis fixer le levier de serrage.
- (3) Effectuer les opérations des paragraphes 4, 5 et 6 ci-dessus. Pour les dimensions de coupe maximales, voir le tableau des "SPÉCIFICATIONS" à la page 36.

⚠ AVERTISSEMENT: Quand on fixe la pièce sur le côté gauche ou droit de la lame, la section tronçonnée courte vient reposer sur le côté droit ou gauche de la lame. Toujours couper l'alimentation et attendre que la lame se soit complètement arrêtée avant de relever la poignée de la pièce. Si on relève la poignée alors que la lame tourne toujours, la section tronçonnée se coincera contre la lame et des fragments s'éparpillent, ce qui serait dangereux. Si l'on interrompt la coupe de biseau à mi-chemin, recommencer la coupe après avoir ramené la tête du moteur à sa position d'origine. Si l'on commence à mi-chemin sans avoir ramené la tête, le carter de sécurité se coincera dans l'encoche de coupe de la pièce et il touchera la lame.

⚠ ATTENTION: Lorsqu'on coupe une pièce de 2-3/8" (60mm) de hauteur à la position d'angle de biseau de 45° vers la gauche, ou une pièce de 1-3/8" (35mm) de hauteur à la position d'angle de biseau de 45° vers la droite, régler la position de limite inférieure de la tête du moteur de façon que l'écart entre le bord inférieur de la tête du moteur et la pièce soit à 5/64" à 1/8" (2 à 3mm) de la position de limite inférieure (voir "2. Vérification de la position de limite inférieure de la lame de scie" à la page 40).

8. Procédure de coupe d'onglet

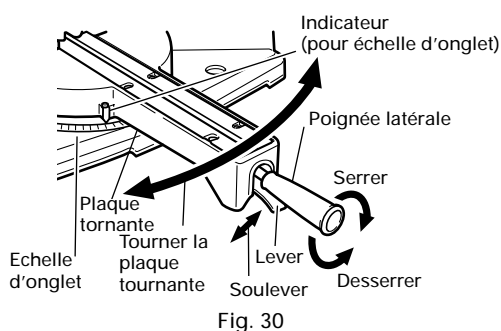


Fig. 30

- (1) Desserrer la poignée latérale et tirer vers le haut le levier des butées d'angle. Cela fait, régler la plaque tournante jusqu'à ce que l'indicateur soit aligné avec le réglage désiré sur l'échelle de coupe d'onglet (Fig. 30).
- (2) Resserrer la poignée latérale pour fixer la plaque tournante à la position voulue.
- (3) L'échelle d'onglet (Fig. 31) indique à la fois l'angle de coupe de l'échelle d'angle et le degré de l'échelle de degré.
- (4) Le degré, qui est le rapport de la hauteur sur le socle de la section triangulaire à retirer, pourra être utilisé pour régler l'échelle d'onglet à la place de l'angle de coupe, au besoin (voir Fig. 31).
- (5) En conséquence, pour couper une pièce à un angle de 2/10, régler l'indicateur sur la position ②, comme indiqué à la Fig. 31.

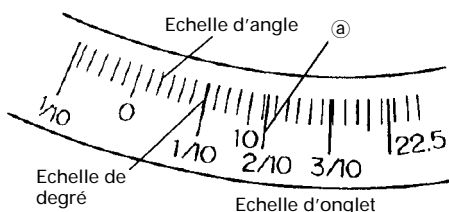


Fig. 31

REMARQUE: * Des crans positifs sont prévus à droite et à gauche du réglage central de 0°, à 15°, 22,5°, 31,6° et 45°.
Vérifier que l'échelle d'onglet et l'extrémité de l'indicateur sont alignés correctement.
* Le fonctionnement de la scie avec l'échelle d'onglet et l'indicateur non alignés, ou avec la poignée latérale insuffisamment serrée, donnera une mauvaise précision.

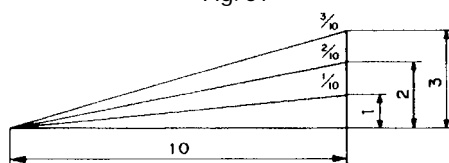


Fig. 32

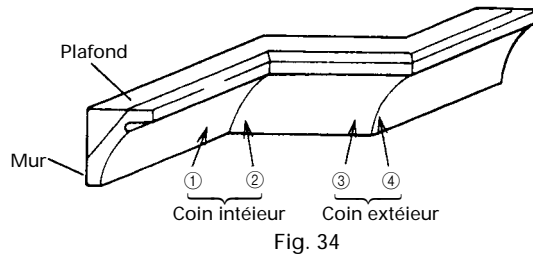
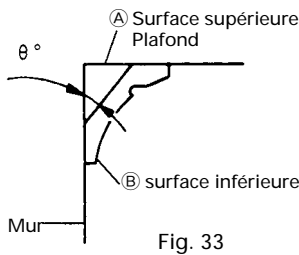
9. Procédures de coupe mixte

La coupe mixte s'effectue en suivant les instructions de 7 et 8 ci-dessus. Pour les dimensions maximales de la coupe mixte, voir le tableau des "SPÉCIFICATIONS" à la page 36.

⚠ ATTENTION: Toujours fixer la pièce de la main droite ou gauche et la couper en glissant la section ronde de la scie vers l'arrière avec la main gauche. Il serait très dangereux de faire tourner la plaque tournante vers la gauche pendant une coupe mixte car la lame risquerait d'entrer en contact avec la main qui tient la pièce. Dans le cas d'une coupe composite (angle + biseau) à biseau gauche, tourner la garde secondaire dans le sens contraire des aiguilles d'une montre puis procéder à l'opération de coupe.

10. Procédures de coupe de corniche complexe

La Fig. 33 montre deux types de corniche complexe courants ayant des angles de 38° et de 45°. Pour les montures de corniche complexe, voir la Fig. 34.



Le tableau ci-dessous montre les réglages d'angle d'onglet et d'angle de biseau qui conviennent le mieux pour les deux types de corniche complexe.

REMARQUE: A des fins de commodité, des crans positifs sont prévus à la fois pour les positions de réglage d'onglet (31,6° à gauche et à droite).

Réglage d'une coupe d'onglet

Si la plaque tournante est réglée sur l'un des angles décrits, déplacer la poignée latérale de réglage de la plaque tournante légèrement vers la droite ou vers la gauche pour stabiliser la position et aligner correctement l'échelle d'onglet et l'extrémité de l'indicateur avant de commencer le travail.

Réglage d'une coupe de biseau

Déplacer la poignée de la section en biseau vers la gauche et s'assurer que la position est stable et que l'échelle d'angle de biseau et l'extrémité de l'indicateur sont soigneusement alignés. Cela fait, serrer le levier de verrouillage.

Type de corniche complexe	Pour découper une corniche complexe aux positions ① et ④ de la Fig. 34		Pour découper une corniche complexe aux positions ② et ③ de la Fig. 34	
	Réglage d'angle d'onglet	Réglage d'angle de biseau	Réglage d'angle d'onglet	Réglage d'angle de biseau
Type 45°	35,3° vers la droite (repère ↓)	30° vers la gauche (repère ↓)	35,3° vers la gauche (repère ↓)	30° vers la gauche (repère ↓)
Type 38°	31,6° vers la droite (repère ↓)	33,9° vers la gauche (repère ↓)	31,6° vers la gauche (repère ↓)	33,9° vers la gauche (repère ↓)

Méthode de réglage d'inclinaison de 30° ou de 33,9° vers la gauche

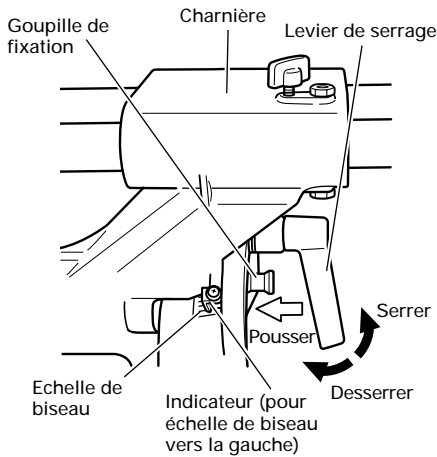


Fig. 35

- (1) Desserrer le levier de serrage et incliner vers la gauche un peu à la fois tout en enfonçant la tige de fixation dans l'appareil principal. A ce moment, la tige de fixation pénètre d'un cran et elle s'insère dans les fentes de réglage d'inclinaison de 30° vers la gauche ou d'inclinaison de 33,9° vers la gauche.
- (2) La tige de fixation étant dans la fente comme indiqué ci-dessus, il est possible de régler la position d'inclinaison de 30° vers la gauche en poussant vers la droite.
- (3) De même, la tige de fixation étant dans la fente comme indiqué ci-dessus, il est possible de régler la position d'inclinaison de 33,9° vers la gauche en poussant vers la gauche.
- (4) Regarder l'échelle et l'indicateur de biseau pour revérifier si les réglages correspondent, puis resserrer le levier de serrage.

(1) Réglage de coupe en corniche complexe aux positions ① et ④ de la Fig. 34 (voir Fig. 36 ; incliner la tête vers la gauche) :

- ① Tourner la plaque tournante vers la droite et régler l'angle d'onglet comme suit :
 - * Pour des corniches complexes de type 45° : 35,3° (repère ↓)
 - * Pour des corniches complexes de type 38° : 31,6° (repère ↓)
- ② Incliner la tête vers la gauche et régler l'angle de biseau comme suit :
 - * Pour des corniches complexes de type 45° : 30° (repère ↓)
 - * Pour des corniches complexes de type 38° : 33,9° (repère ↓)
- ③ Disposer la corniche complexe de façon que la surface inférieure (A sur la Fig. 33) touche la garde comme indiqué à la Fig. 38.

(2) Réglage de coupe en corniche complexe aux positions ② et ③ de la Fig. 34 (voir Fig. 37 ; incliner la tête vers la gauche) :

- ① Tourner la plaque tournante vers la droite et régler l'angle d'onglet comme suit :
 - * Pour des corniches complexes de type 45° : 35,3° (repère ↓)
 - * Pour des corniches complexes de type 38° : 31,6° (repère ↓)
- ② Incliner la tête vers la gauche et régler l'angle de biseau comme suit :
 - * Pour des corniches complexes de type 45° : 30° (repère ↓)
 - * Pour des corniches complexes de type 38° : 33,9° (repère ↓)
- ③ Disposer la corniche complexe de façon que la surface supérieure (B sur la Fig. 33) touche la garde comme indiqué à la Fig. 39.

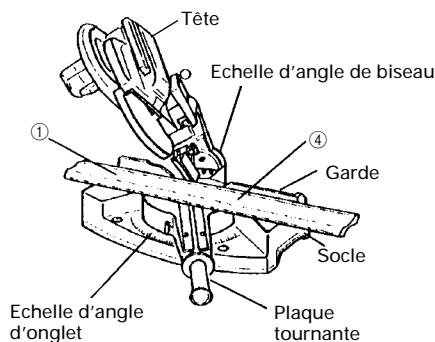


Fig. 36

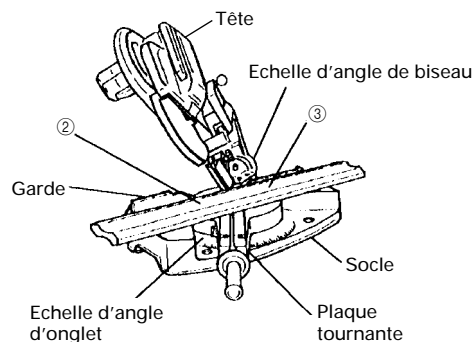


Fig. 37

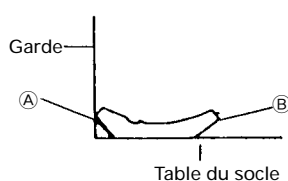


Fig. 38

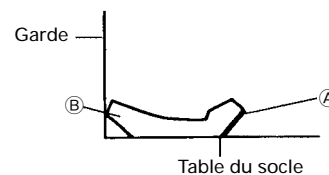


Fig. 39

(3) Réglage de coupe en corniche complexe aux positions ① et ④ de la Fig. 34 (voir Fig. 40 ; incliner la tête vers la droite) :

- ① Tourner la plaque tournante vers la droite et régler l'angle d'onglet comme suit :
 - * Pour des corniches complexes de type 45° : 35,3° (repère ↓)
 - * Pour des corniches complexes de type 38° : 31,6° (repère ↓)
- ② Incliner la tête vers la droite et régler l'angle de biseau comme suit :
 - * Pour des corniches complexes de type 45° : 30° (repère ↓)
 - * Pour des corniches complexes de type 38° : 33,9° (repère ↓)
- ③ Disposer la corniche complexe de façon que la surface inférieure (B sur la Fig. 33) touche la garde comme indiqué à la Fig. 42.

(4) Réglage de coupe en corniche complexe aux positions ② et ③ de la Fig. 34 (voir Fig. 41 ; incliner la tête vers la droite) :

- ① Tourner la plaque tournante vers la droite et régler l'angle d'onglet comme suit :
 - * Pour des corniches complexes de type 45° : 35,3° (repère ↓)
 - * Pour des corniches complexes de type 38° : 31,6° (repère ↓)
- ② Incliner la tête vers la gauche et régler l'angle de biseau comme suit :
 - * Pour des corniches complexes de type 45° : 30° (repère ↓)
 - * Pour des corniches complexes de type 38° : 33,9° (repère ↓)
- ③ Disposer la corniche complexe de façon que la surface supérieure (A sur la Fig. 33) touche la garde comme indiqué à la Fig. 43.

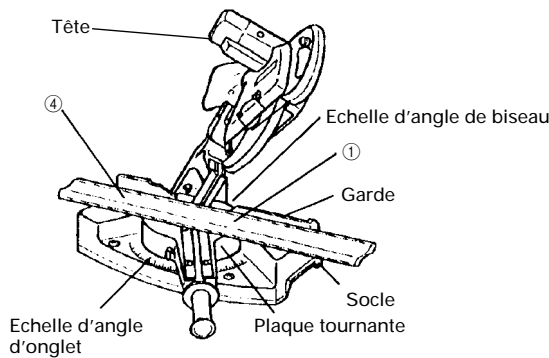


Fig. 40

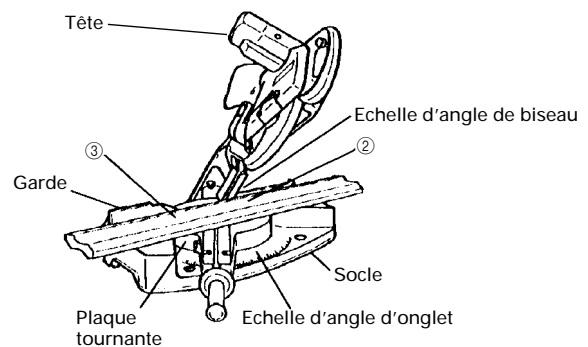


Fig. 41

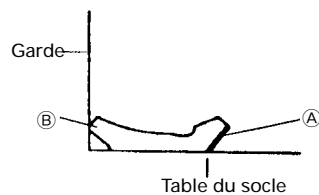


Fig. 42

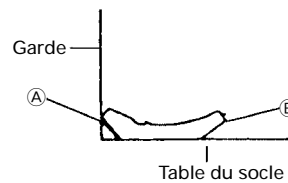


Fig. 43

Méthode de coupe des moulures de corniche sans inclinaison de la lame de scie

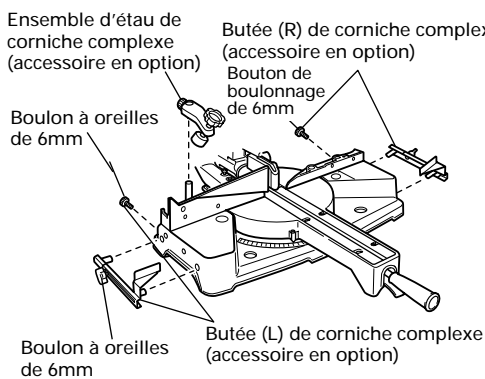


Fig. 44

(1) Les butées (L) et (R) de corniche complexe permettent des coupes plus faciles de corniches complexes sans inclinaison de la lame de scie. Les installer sur la base, de chaque côté, comme le montre la Fig. 44. Après les avoir introduits, serrer les boutons de boulonnage de 6mm sur les butées de corniche complexe.

[Accessoires en option utilisés]

- Ensemble d'étau de corniche complexe (comprend la butée de corniche complexe (L))
- Butée de corniche complexe (L)
- Butée de corniche complexe (R)

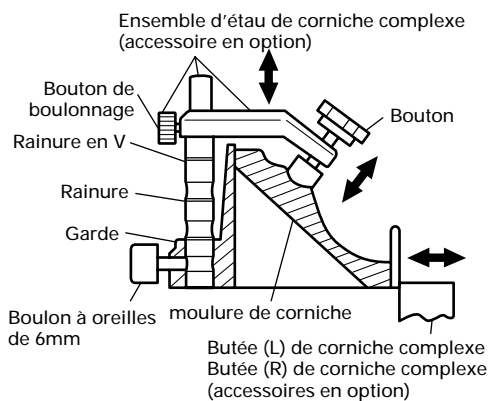


Fig. 45

(2) L'étau (B) de corniche complexe (accessoire en option) peut être monté soit sur la garde gauche (Garde (B)), soit sur la garde droite (Garde (A)). Il peut s'adapter à l'inclinaison de la corniche complexe et peut être appuyé vers le bas.

Tourner le bouton supérieur, autant que nécessaire, pour fixer soigneusement la moulure de corniche en position. Pour lever ou abaisser l'ensemble d'étau, desserrer tout d'abord le boulon de bouton de 6mm. Comme le montre la Fig. 45, l'axe de l'étau possède trois rainures de blocage dans lesquelles l'extrémité du boulon à oreilles de 6mm est conçue pour s'introduire de manière à verrouiller le support de vis dans la position désirée. Pour s'assurer que l'extrémité du boulon à oreilles de 6mm est convenablement alignée avec la rainure de blocage sur l'axe de l'étau, aligner simplement la partie supérieure de la garde sur l'une des trois rainures en V à la surface de l'axe de l'étau ou sur la surface inférieure du support de vis.

En conséquence, l'ensemble d'étau peut être fixé dans une des trois positions possibles pour obtenir le réglage de hauteur voulu.

Après réglage de la hauteur, serrer soigneusement le boulon à oreilles de 6mm puis tourner le bouton supérieur, autant que nécessaire, pour fixer soigneusement la moulure de corniche en position (se reporter à la Fig. 45).

⚠ AVERTISSEMENT: Maintenir ou serrer dans un étau la moulure de corniche contre la garde; dans le cas contraire, la moulure de corniche peut être projetée hors de la table et provoquer une blessure corporelle. Ne pas faire de coupe en biseau. L'outil ou la lame de scie peuvent venir en contact avec la garde secondaire, ce qui peut provoquer une blessure.

⚠ ATTENTION: Toujours s'assurer que la tête du moteur (se reporter à la Fig. 1) ne vient pas en contact avec l'ensemble d'étau de corniche complexe quand il est abaissé pour la coupe. S'il y a un risque quelconque qu'il en soit ainsi, desserrer le bouton de boulonnage de 6mm et déplacer l'ensemble d'étau de corniche complexe de telle manière qu'il ne puisse pas y avoir de contact avec la lame de scie.

Positionner la corniche complexe de manière que le BORD DE CONTACT DE MUR soit contre la garde de guidage et que le BORD DE CONTACT DE PLAFOND soit contre les butées de corniche complexe, comme le montre la Fig. 45.

Régler les butées de corniche complexe en fonction de la taille de la corniche complexe.

Serrer le boulon à oreilles de 6mm pour maintenir les butées de corniche complexe.

Se reporter au tableau qui suit pour les angles des coupes d'onglet.

	Position dans la Fig. 34	Angle de coupe d'onglet	Pièce finie
Pour le coin intérieur	①	Droit 45°	Conserver le côté droit de la lame
	②	Gauche 45°	Conserver le côté gauche de la lame
Pour corniche externe	③		Conserver le côté droit de la lame
	④	Droit 45°	Conserver le côté gauche de la lame

Utiliser la garde secondaire (A) (accessoire en option) pour fixer la moulure de corniche plus solidement (se reporter à la Fig. 15).

11. Procédures de coupe d'encoche

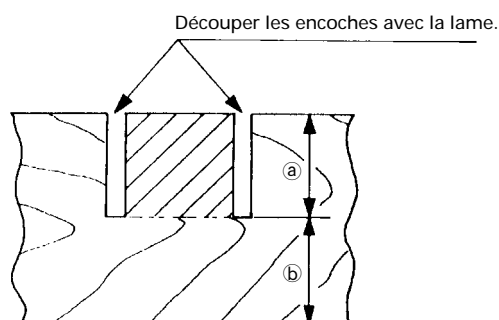


Fig. 46

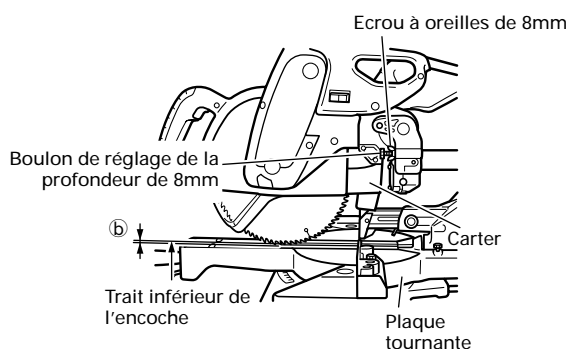


Fig. 47

Les encoches dans les pièces se découpent comme indiqué à la Fig. 46 en réglant le boulon de réglage de la profondeur de 8mm.

Procédure de réglage de la profondeur de coupe :

- (1) Desserrer l'écrou à oreilles de 8mm et tourner le boulon de réglage de la profondeur de 8mm à la main.
- (2) Régler la profondeur de coupe voulue en réglant la distance entre la lame et la surface du socle (voir ⑥ à la Fig. 46).
- (3) Quand le réglage est terminé, bien resserrer l'écrou à oreilles de 8mm.

REMARQUE: Quand on découpe une seule encoche à l'une des extrémités de la pièce, retirer la section inutile avec un ciseau

12. Coupe de matériaux qui se déforment facilement, par exemple une feuille d'aluminium
Les matériaux comme l'aluminium en feuille se déforment facilement quand ils sont serrés trop fort dans un étau. Cela ne permettra pas une bonne coupe et risque de provoquer une surcharge du moteur. Pour couper ce genre de matériaux, utiliser une planche de bois pour protéger la pièce comme indiqué à la Fig. 48. Placer la planche de bois près de la section de coupe.

Pour couper de l'aluminium, enduire la lame d'une huile de coupe (non-combustible) pour obtenir une coupe régulière et un bon fini.

En outre, dans le cas d'une pièce en U, utiliser un morceau de bois comme le montre la Fig. 49 pour réaliser la stabilité dans le sens latéral, le fixer près de la coupe de la pièce et le serrer en utilisant l'étau et un serre-joint disponible sur le marché.

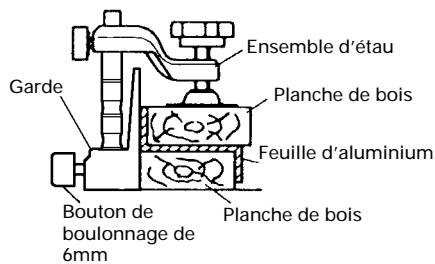


Fig. 48

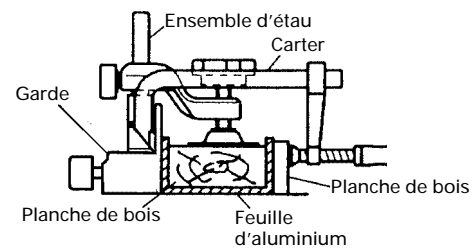


Fig. 49

13. Utilisation du sac à copeaux (Accessoire standard)

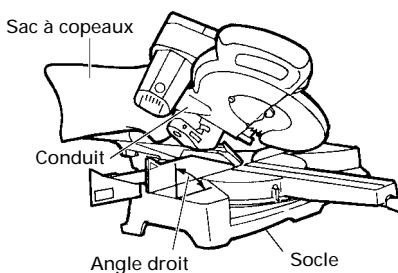


Fig. 50

- (1) Si le sac à copeaux est plein, les copeaux sortent du sac quand la lame tourne. Vérifier le sac à copeaux périodiquement et le vider avant qu'il ne soit plein.
- (2) Lors d'une coupe de biseau ou d'une coupe mixte, fixer le sac à copeaux à angle droit sur la surface du socle comme indiqué à la Fig. 50.

⚠ ATTENTION: Vider le sac à copeaux fréquemment pour éviter que le conduit et le carter de sécurité ne soient bouchés.
Les copeaux s'accumulent plus rapidement lors d'une coupe de biseau.

INSTALLATION ET RETRAIT DE LA LAME

⚠ AVERTISSEMENT: * Pour éviter tout risque d'accident ou de blessure, toujours couper l'interrupteur à gâchette et débrancher la fiche de la prise secteur avant de retirer ou d'installer la lame.
Si le travail de coupe est effectué alors que le boulon n'est pas suffisamment serré, le boulon risque de se défaire, la lame de se détacher et le carter de sécurité de s'abîmer, ce qui provoquera des blessures.

Par ailleurs, s'assurer que les boulons sont convenablement serrés avant de brancher la fiche du cordon d'alimentation sur une prise secteur.

* Si les boulons sont posés ou déposés en utilisant un outil autre que la clé à douille de 10mm (accessoire standard), le serrage peut être excessif ou insuffisant et cela peut provoquer une blessure.

1. Installation de la lame (Fig. 51-a, Fig. 51-b et Fig. 51-c)

- (1) Utiliser la clé à douille de 10mm fournie en accessoire pour desserrer le boulon de 6mm qui fixe le carter d'axe, puis retirer le carter d'axe.
- (2) Engager le verrou d'axe et desserrer le boulon de 10mm avec une clé à tube (accessoire standard). Le boulon ayant un filetage à gauche, le tourner vers la droite pour le desserrer, comme indiqué à la Fig. 51-c.

REMARQUE : Si le verrou d'axe ne peut pas facilement être engagé pour verrouiller l'axe, tourner le boulon avec une clé à tube de 10mm (accessoire standard) tout en appliquant une pression sur le verrou d'axe.

L'axe de la lame est verrouillé quand le verrou d'axe est enfoncé.

- (3) Retirer le boulon et la rondelle (D).

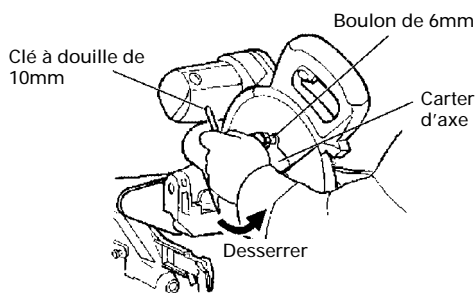


Fig. 51-a

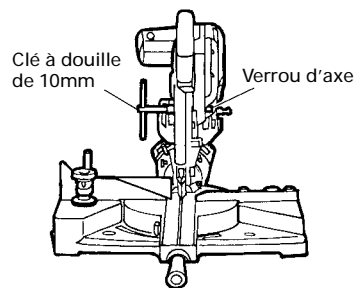


Fig. 51-b

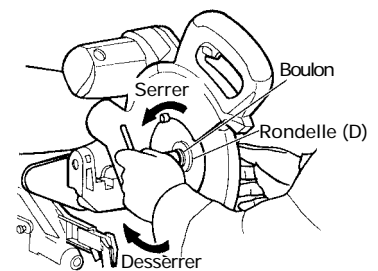


Fig. 51-c

- (4) Soulever le carter de sécurité et installer la lame.

⚠ AVERTISSEMENT: Lors du montage de la lame de scie, s'assurer que la marque de sens de rotation sur la lame de scie et le sens de rotation sur le carter d'engrenage (se reporter à la Fig. 1) sont les mêmes.

- (5) Nettoyer soigneusement la rondelle (D) et le boulon et les installer sur l'axe de la lame de scie.

- (6) Appuyer sur le verrou d'axe et serrer le boulon en le tournant vers la gauche à l'aide de la clé fournie comme accessoire standard (clé à douille de 10mm), comme indiqué à la Fig. 51-c.

⚠ ATTENTION:

- * Un guide poussière est installé à l'intérieur, derrière le carter d'engrenage. Lors du retrait ou de l'installation de la lame, ne pas toucher le guide-copeaux. Cela pourrait casser ou ébrécher les extrémités de la lame.
- * Vérifier que le verrou d'axe est revenu en position rentrée après le retrait ou l'installation de la lame.
- * Serrer le boulon de façon qu'il ne se desserre pas pendant le fonctionnement. Vérifier que le boulon est solidement vissé avant de mettre l'outil électrique en marche.

2. Retrait de la lame

Démonter la lame en procédant dans l'ordre inverse de l'installation décrite au paragraphe 1 ci-dessus. La lame s'enlève facilement si le carter de sécurité est relevé.

⚠ ATTENTION: Ne jamais tenter d'installer des lames de scie de plus de 10" (255mm) de diamètre. Toujours installer des lames de scie d'un diamètre égal ou inférieur à 10" (255mm).

ENTRETIEN ET INSPECTION

⚠ AVERTISSEMENT: Pour éviter tout risque d'accident ou de blessure, toujours vérifier que l'interrupteur à gâchette est coupé et que la fiche d'alimentation est débranchée de la prise secteur avant d'entretenir ou d'inspecter l'outil

1. Inspection de la lame

Toujours remplacer la lame dès qu'elle présente des signes d'usure ou de dommage.

Une lame endommagée risque de provoquer des blessures, et une lame usée peut réduire le rendement et provoquer une surcharge du moteur.

⚠ ATTENTION: Ne jamais utiliser de lame émoussée. Si la lame est émoussée, sa résistance à la pression de la main appliquée par la poignée de l'outil a tendance à augmenter, ce qui rend le fonctionnement de l'outil électrique peu sûr.

2. Réglage du tuyau de chariot s'il est relâché

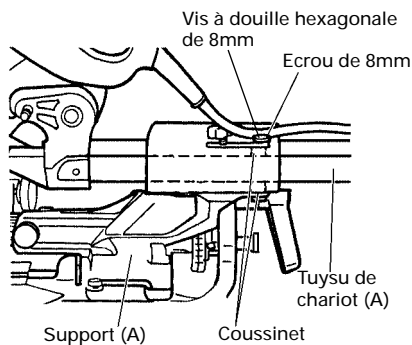


Fig. 52

Quand l'outil électrique a fonctionné pendant longtemps, le tuyau de chariot (A) et le manchon risquent de se relâcher sous l'effet des vibrations. Ne jamais faire fonctionner l'outil si l'un de ses composants est lâche de façon à éviter tout risque de blessure.

- (1) Desserrer l'écrou de 8mm et serrer les deux vis de 8mm hexagonales de réglage jusqu'à ce que l'outil électrique fonctionne régulièrement et sans à-coup.
- (2) Serrer l'écrou de 8mm à fond après avoir terminé ces réglages.

3. Inspecter les balais carbone (Fig. 53 et Fig. 54)

Les balais carbone du moteur sont des pièces consommables.

Si les balais en carbone sont usés, le moteur risque d'avoir des anomalies.

En conséquence, inspecter périodiquement les balais en carbone et les remplacer lorsqu'ils ont atteint la limite d'usure comme indiqué à la Fig. 53.

Par ailleurs, maintenir les balais carbone propres de façon qu'ils glissent régulièrement dans les porte-balai. Les balais carbone sont faciles à retirer ; pour cela, retirer les têtes porte-balai (voir Fig. 54) avec un tournevis à tête plate (signe moins).

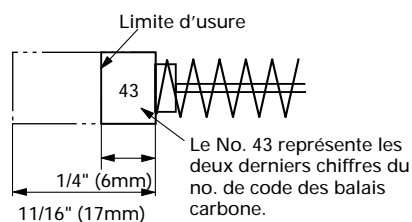


Fig. 53

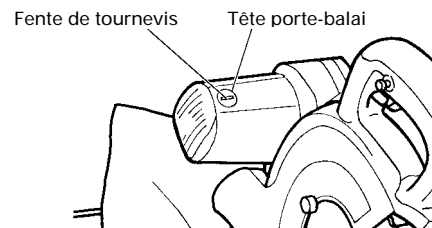


Fig. 54

4. A propos de l'entretien du moteur (se reporter à la Fig. 1)

L'enroulement du moteur est le cœur de cet outil. Veiller tout particulièrement à ne pas endommager l'enroulement en l'exposant à l'huile ou à l'eau.

REMARQUE: L'accumulation de poussières dans le moteur peut entraîner une anomalie de fonctionnement. Après avoir fait tourner le moteur pendant 50 heures environ, le laisser tourner à vide et souffler de l'air sec dans le perçage à l'arrière du moteur. Cette action a pour effet de débarrasser le moteur des poussières et saletés.

5. Inspection des vis

Inspecter régulièrement chaque composant de l'outil électrique pour voir s'il n'est pas lâche. Resserrer les vis des pièces lâches.

⚠ AVERTISSEMENT: Pour éviter tout risque de blessure, ne jamais faire fonctionner l'outil électrique si certains de ses composants sont lâches.

6. Vérifier si le garde de sécurité fonctionne correctement.

Avant chaque utilisation de l'outil, tester le garde de sécurité (voir Fig. 8) pour s'assurer qu'il fonctionne correctement et en douceur.

Ne jamais utiliser l'outil si le garde de sécurité ne fonctionne pas correctement et s'il n'est pas en bon état mécanique.

7. Remisage

Quand le travail est terminé, vérifier que l'on a bien effectué toutes les opérations suivantes :

- (1) Interrupteur à gâchette en position OFF,
 - (2) Fiche d'alimentation débranchée de la prise secteur,
 - (3) Bouton de déverrouillage retiré et rangé en lieu sûr.
- Si l'on ne prévoit pas de se servir de l'outil, le ranger dans un lieu sec et hors de portée des enfants.

8. Remplacement de la poly-courroie en V

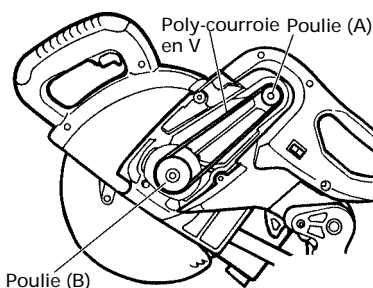


Fig. 55

La puissance du moteur est transmise à la lame de scie par une courroie Poly-V. Si la courroie Poly-V est cassée ou endommagée, déposer le carter de courroie en desserrant les deux vis de 5mm (se reporter à la Fig. 2) et remplacer la courroie endommagée par une courroie neuve.

Pour faire passer la courroie sur les poulies, enfiler tout d'abord 2 ou 3 dents de la poly-courroie en V dans les encoches de la poulie (A) et de la poulie (B). Puis, tournant la poulie (A), et la poulie (B), raccorder les 10 dents de la courroie aux poulies.

9. Graissage

Graisser les surfaces de glissement suivantes une fois par mois pour maintenir l'outil électrique en bon état de marche pendant longtemps (voir Fig. 1 et Fig. 2). Il est recommandé d'utiliser une huile de machine.

Points de graissage :

- * Section rotative de la charnière
- * Section rotative de l'ensemble d'étau
- * Section rotative du support (A)

10. Nettoyage

Enlever périodiquement les copeaux et autres débris de la surface de l'outil électrique avec un chiffon humide et savonneux. Pour éviter tout mauvais fonctionnement du moteur, le protéger de tout contact avec l'huile ou l'eau.

(Uniquement le modèle C10FSH)

Si la ligne laser devient invisible en raison des copeaux et autres débris adhérant à la fenêtre de la section d'émission du marqueur laser, essuyer et nettoyer la fenêtre avec un chiffon sec ou un chiffon doux humecté d'une solution d'eau savonneuse, etc.

SERVICE APRÈS-VENTE ET RÉPARATIONS

Tous les outils électriques de qualité finissent un jour par avoir besoin de réparations ou de remplacement de pièces sous l'effet d'une usure normale. Pour garantir que seules des pièces de rechange agréées seront utilisées et que le système de double isolation sera protégé, il faudra confier toutes les opérations d'entretien (autres que l'entretien de routine) exclusivement à un SERVICE APRES-VENTE D'OUTILS ELECTRIQUES HITACHI AGREE.

REMARQUE : Les spécifications sont sujettes à modification sans obligations de la part d'HITACHI.

INFORMACIÓN IMPORTANTE SOBRE SEGURIDAD

Antes de utilizar o de realizar cualquier trabajo de mantenimiento de esta herramienta eléctrica, lea y comprenda todas las precauciones de seguridad, advertencias e instrucciones de funcionamiento de este Manual de instrucciones.

La mayoría de los accidentes producidos en la operación y el mantenimiento de una herramienta eléctrica se deben a la falta de observación de las normas o precauciones de seguridad. Los accidentes normalmente podrán evitarse reconociendo una situación potencialmente peligrosa a tiempo y siguiendo los procedimientos de seguridad apropiados.

Las precauciones básicas de seguridad se describen en la sección "SEGURIDAD" de este Manual de instrucciones y en las secciones que contienen las instrucciones de operación y mantenimiento.

Para evitar lesiones o el daño de la herramienta eléctrica, los riesgos están identificados con ADVERTENCIAS en dicha herramienta y en este Manual de instrucciones.

No utilice **NUNCA** esta herramienta eléctrica de ninguna forma que no esté específicamente recomendada por HITACHI.

SIGNIFICADO DE LAS PALABRAS DE SEÑALIZACIÓN

ADVERTENCIA indica situaciones potencialmente peligrosas que, si se ignoran, pueden resultar en la muerte o en lesiones de gravedad.

PRECAUCIÓN indica situaciones potencialmente peligrosas que, de no evitarse, pueden resultar en lesiones menores o moderadas, o causar daños en la herramienta eléctrica.

NOTA acentúa información esencial.

SEGURIDAD

NORMAS DE SEGURIDAD PARA LAS HERRAMIENTAS ELÉCTRICAS

LEA TODAS LAS ADVERTENCIAS E INSTRUCCIONES DE OPERACIÓN DE ESTE MANUAL ANTES DE UTILIZAR ESTA HERRAMIENTA O DE REALIZAR TRABAJOS DE MANTENIMIENTO EN LA MISMA:

⚠ ADVERTENCIA: Cuando utilice esta herramienta eléctrica, tome todas las precauciones necesarias para reducir al mínimo el riesgo de descargas eléctricas y demás lesiones. En particular, observe siempre las normas de seguridad siguientes:

1. **MANTENGA SIEMPRE LOS PROTECTORES EN SU LUGAR**, y en perfectas condiciones de trabajo.
2. **ANTES DE PONER EN FUNCIONAMIENTO LA HERRAMIENTA, QUÍTELE TODAS LAS CHAVETAS Y LLAVES DE AJUSTE.** Antes de conectar la alimentación de la herramienta eléctrica, confirme que todas las chavetas y llaves de ajuste estén extraídas de la misma.
3. **MANTENGA SIEMPRE EL ÁREA DE TRABAJO LIMPIA.** Evite lesiones debidas al desorden del área y el banco de trabajo.
4. **NO UTILICE NUNCA LA HERRAMIENTA EN AMBIENTES PELIGROSOS.** No utilice nunca la herramienta eléctrica en lugares húmedos, y no la exponga nunca a la humedad. Mantenga siempre bien iluminada el área de trabajo.
5. **NO PERMITA QUE LOS NIÑOS NI OTRAS PERSONAS ENTREN EN EL ÁREA DE TRABAJO.** Mantenga a las personas (especialmente los niños) alejadas del área de trabajo. Desenchufe siempre las herramientas desatendidas y bloquee el área de trabajo instalando cerraduras en las puertas y seguros en los interruptores principales. Cuando no vaya a utilizar una herramienta, quítele el botón de desbloqueo y guárdela en un lugar seguro.

6. **NO FUERCE NUNCA LA HERRAMIENTA.** La herramienta trabajará mejor y con mayor seguridad si la utiliza con el régimen para el que fue diseñada.
7. **UTILICE SIEMPRE LAS HERRAMIENTAS CORRECTAS.** No fuerce nunca una herramienta ni un accesorio para realizar un trabajo para el que no se haya diseñado.
8. **ANTES DE TRABAJAR CON LA HERRAMIENTA, VÍSTASE LA ROPA ADECUADA.** No utilice nunca ropa floja, guantes, corbatas, collares, anillos, brazaletes, ni demás joyas que puedan quedar atrapados en las partes móviles. Utilice siempre calzado antideslizable, preferiblemente con punteras reforzadas con acero. Si tiene el pelo largo, recoja y cúbrelo.
9. **ANTES DE UTILIZAR LA HERRAMIENTA, UTILICE GAFAS PROTECTORAS PARA EVITAR DAÑAR SUS OJOS.** Las gafas normales no ofrecen protección suficiente porque las lentes no están hechas de cristal seguro. Además, utilice una careta como protección adicional, y utilice una máscara contra el polvo si la operación de corte produce polvo.
10. **ASEGURE SIEMPRE LA PIEZA DE TRABAJO EN LA ESCUADRA DE GUÍA O EN LA MESA.** Utilice abrazaderas o un tornillo de carpintero para sujetar la pieza de trabajo. Es más seguro utilizar que utilizar su mano, porque podrá usar ambas para manejar la herramienta.
11. **NO SE EXTRALIMITE NUNCA.** Cuando trabaje con la herramienta, mantenga en todo momento el equilibrio.
12. **MANTENGA SIEMPRE LAS HERRAMIENTAS EN PERFECTAS CONDICIONES.** Guarde siempre las herramientas afiladas y limpias para que rindan al máximo y ofrezcan la mayor seguridad. Siga siempre las instrucciones sobre lubricación y cambio de accesorios de las herramientas.
13. **DESCONECTE SIEMPRE LA HERRAMIENTA** antes de realizar la operación de mantenimiento y de cambiar la hoja de sierra y demás accesorios.
14. **TENGA CUIDADO CON LA PUESTA EN FUNCIONAMIENTO ACCIDENTAL AL ENCHUFAR LA HERRAMIENTA.** Antes de insertar el enchufe de alimentación en un tomacorriente, cerciórese de que el interruptor esté en la posición OFF.
15. **CON ESTA HERRAMIENTA UTILICE SIEMPRE SOLAMENTE LOS ACCESORIOS RECOMENDADOS.** Con respecto a la descripción sobre los accesorios recomendados, consulte el manual de instrucciones. Para evitar lesiones, con esta herramienta, utilice solamente los accesorios recomendados.
16. **NO SE SUBA NUNCA SOBRE LA HERRAMIENTA.** Evite lesiones serias no inclinando la herramienta ni tocando accidentalmente la hoja de sierra.
17. **ANTES DE UTILIZAR LA HERRAMIENTA, COMPRUEBE SI TIENE PARTES DAÑADAS.** Compruebe siempre si el protector y los demás componentes están dañados antes de utilizar la herramienta para asegurarse de que funcionen adecuadamente. Compruebe si todas las partes móviles están adecuadamente alineadas, no están dobladas, y no se encuentran en otras condiciones que puedan afectar la operación apropiada. Antes de utilizar la herramienta, repare o reemplace siempre cualquier protector o componente dañado.
18. **ANTES DE UTILIZAR LA HERRAMIENTA, COMPRUEBE SIEMPRE EL SENTIDO DE GIRO DE LA HOJA DE SIERRA.** Alimente siempre la pieza de trabajo en la herramienta en sentido contrario al de giro de la hoja de sierra a fin de evitar posibles lesiones.
19. **NO DEJE LA HERRAMIENTA DESATENDIDA EN FUNCIONAMIENTO. DESCONECTE LA ALIMENTACIÓN.** No deje la herramienta mientras no se haya parado completamente. Cuando no vaya a utilizar la herramienta, desenchufe su cable de alimentación.
20. Esta herramienta no ha sido diseñada para aplicaciones de producción en masa, y no deberá utilizarse para ello.
21. Cuando tenga que reemplazar esta herramienta, utilice solamente las piezas de reemplazo autorizadas.
22. Aplique solamente 120 voltios CA a esta unidad. Si le aplicase una tensión incorrecta, o tensión de CC, la HERRAMIENTA ELÉCTRICA podría funcionar incorrectamente y causar lesiones o daños a la propia herramienta.

23. No levante nunca la hoja de sierra de la pieza de trabajo mientras no se haya parado completamente.
24. Utilice siempre soportes para piezas de trabajo largas que sobrepasen la longitud de la mesa de la sierra compuesta deslizable.
25. Después de cada operación de corte en cruz, devuelva el carro a la posición completamente posterior a fin de reducir el riesgo de lesiones.
26. **ENCHUFES POLARIZADOS** Para reducir el riesgo de descargas eléctricas, este equipo posee un enchufe polarizado (una cuchilla del mismo es más amplia que la otra). Este enchufe solamente encajará de una forma en un tomacorriente polarizado. Si el enchufe no encaja en el tomacorriente, póngase en contacto con un electricista cualificado para que le instale el tomacorriente apropiado. No cambie nunca el enchufe del cable de alimentación.

Normas de seguridad específicas para la utilización de esta herramienta

⚠ ADVERTENCIA: Las instrucciones de operación específicas siguientes deberán observarse cuando se utilice esta HERRAMIENTA ELÉCTRICA a fin de evitar lesiones.

LO QUE DEBERÁ HACERSE

TENGA SIEMPRE EN CUENTA LAS NORMAS SIGUIENTES PARA PODER UTILIZAR CON SEGURIDAD ESTA HERRAMIENTA:


1. Antes de intentar utilizar esta HERRAMIENTA ELÉCTRICA, lea este manual y familiarícese con las normas de seguridad y las instrucciones de operación.
2. Antes de utilizar la HERRAMIENTA ELÉCTRICA, confirme que esté limpia.
3. Para utilizar la HERRAMIENTA ELÉCTRICA, vístase ropa ajustada, calzado no deslizable (preferiblemente con punteras reforzadas con acero) y gafas protectoras.
4. Maneje la HERRAMIENTA ELÉCTRICA con cuidado. Si la HERRAMIENTA ELÉCTRICA se cae o se golpea contra un objeto duro, puede deformar o rajarse, o sufrir otros daños.
5. Si nota cualquier anomalía, deje de utilizar inmediatamente la sierra.
6. Antes de utilizar la herramienta, compruebe si todos los componentes están montados adecuadamente y con seguridad.
7. Cuando reemplace la hoja de sierra, confirme que las rpm de la nueva sean correctas para utilizarse con esta unidad.
8. Antes de realizar cualquier trabajo de mantenimiento o ajuste, desconecte la alimentación y espere hasta que la hoja de sierra se haya parado completamente.
9. Durante la operación de corte, empuje siempre la hoja de sierra alejándola de usted.
10. Sujete o asegure la pieza de trabajo en la escuadra de guía, ya que de lo contrario podría salirse de la mesa y causar lesiones serias.
11. Durante el corte de ingletes o en bisel, espere siempre hasta que la hoja de sierra se haya parado completamente antes de levantarla.
12. Realice siempre una prueba antes de intentar utilizar una hoja de sierra nueva.
13. Maneje siempre la hoja de sierra con cuidado con la desmonte o monte.
14. Antes de utilizar la sierra, compruebe siempre si la pieza de trabajo está exenta de puntas y demás objetos extraños.
15. Mantenga siempre las manos alejadas del trayecto de la hoja de sierra.

16. Antes de utilizar la sierra, confirme que la cubierta de seguridad esté en el lugar apropiado.
17. Antes de intentar cortar, confirme siempre que la cubierta de seguridad no obstruya el movimiento de deslizamiento de la sierra.
18. Inspeccione periódicamente el cable de alimentación de la herramienta.
19. Antes de poner en funcionamiento la herramienta, confirme si la longitud del cable de alimentación y de los cables prolongadores, si va a utilizarlos, es apropiada.
20. Antes de utilizar la herramienta, confirme que los orificios de ventilación del motor estén completamente abiertos.
21. Antes de comenzar a cortar, espere siempre hasta que el motor haya alcanzado la velocidad plena.
22. Mantenga siempre las empuñaduras secas, limpias, y exentas de aceite y grasa. Cuando utilice la herramienta, sujétela firmemente.
23. Para piezas de trabajo que sobrepasen la mesa de la sierra compuesta deslizable, utilice soportes.
24. Utilice siempre la herramienta después de haberse asegurado de que la pieza de trabajo esté adecuadamente fijada con un tornillo de carpintero.
25. El manual de instrucciones suministrado con la herramienta indica al usuario que asegure la herramienta a la estructura de soporte si, durante la operación normal, la herramienta tiende a volcarse, deslizarse, o moverse por la superficie de soporte.

LO QUE NO DEBERÁ HACERSE

NO VIOLE NUNCA LAS NORMAS SIGUIENTES PARA PODER UTILIZAR CON SEGURIDAD ESTA HERRAMIENTA:

1. No utilice nunca la HERRAMIENTA ELÉCTRICA a menos que haya comprendido completamente las instrucciones de operación contenidas en este manual.
2. No deje nunca la HERRAMIENTA ELÉCTRICA desatendida sin haber desenchufado antes el cable de alimentación.
3. No utilice nunca la HERRAMIENTA ELÉCTRICA cuando esté cansado, después de haber ingerido medicamentos, o cuando haya tomado bebidas alcohólicas.
4. No utilice nunca la HERRAMIENTA ELÉCTRICA para aplicaciones no especificadas en este manual.
5. No utilice nunca la herramienta con ropa floja, corbata, ni joyas, ni si haberse cubierto el pelo para evitar que puedan quedar atrapados en las partes móviles.
6. No acerque las manos a la hoja de sierra.
7. No toque nunca las partes móviles, incluyendo la hoja de sierra, mientras esté utilizando la sierra.
8. No quite nunca ningún dispositivo de seguridad ni los protectores de la hoja de sierra, ya que la utilización de la herramienta sin ellos podría resultar peligrosa.
9. No bloquee nunca la cubierta de seguridad; confirme que se deslice suavemente antes de utilizar la herramienta.
10. No dañe nunca el cable de alimentación de la herramienta.
11. No intente mover nunca una HERRAMIENTA ELÉCTRICA con el dedo en el interruptor de disparo.
12. No intente nunca utilizar la HERRAMIENTA ELÉCTRICA si el interruptor de disparo no funciona adecuadamente.
13. No utilice nunca la HERRAMIENTA ELÉCTRICA si la envoltura de plástico o la empuñadura está rajada o deformada.
14. No utilice nunca la HERRAMIENTA ELÉCTRICA cerca de líquidos ni gases inflamables porque las chispas podrían causar una explosión.
15. No limpie nunca los componentes de plástico con disolventes, porque el plástico podría disolverse.
16. No utilice nunca la herramienta a menos que los protectores de la hoja de sierra estén en su lugar.

17. No levante nunca la hoja de sierra de la pieza de trabajo mientras no se haya parado completamente.
18. Cuando corte deslizando, no tire nunca de la empuñadura hacia usted mismo, ya que esto podría hacer que la hoja de sierra se saliese de la pieza de trabajo. Empuje siempre la empuñadura alejándola de usted mismo con un solo movimiento uniforme.
19. No coloque nunca sus miembros dentro de la línea cerca del signo de advertencia "  " mientras esté utilizando la herramienta. Esto podría resultar peligroso.
20. No utilice nunca hojas de tipo abrasivo con esta herramienta.
21. No exponga nunca la herramienta a la lluvia, ni la utilice en lugares húmedos.
22. No corte nunca metales ferrosos ni mampostería.

ADVERTENCIA

PARA SU PROPIA SEGURIDAD, ANTES DE UTILIZAR ESTA TRONZADORA RADIAL ABATIBLE, LEA ESTE MANUAL DE INSTRUCCIONES.

1. Para utilizar esta tronadora radial abatible, utilice siempre gafas protectoras.
2. Mantenga siempre las manos fuera del trayecto de la hoja de sierra.
3. No utilice nunca la sierra sin los protectores en su lugar.
4. No realice ninguna operación sin las manos con esta tronadora radial abatible.
5. No acerque nunca las manos a la hoja de sierra.
6. Antes de mover la pieza de trabajo o de cambiar los ajustes espere siempre a que la hoja de sierra se haya parado completamente.
7. Desconecte siempre la herramienta antes de cambiar la hoja de sierra o de realizar cualquier trabajo de mantenimiento.
8. El diámetro de la hoja de sierra es de 10" (255mm).
9. La velocidad sin carga es de 3800/min.
10. Para reducir el riesgo de lesiones, haga el retornar el carro a la posición la posición completamente hacia atrás después de cada operación de corte.

PIEZAS DE REEMPLAZO

Para la reparación de una herramienta, utilice solamente piezas de reemplazo idénticas. Las reparaciones solamente deberán realizarse en un centro de servicio autorizado por Hitachi.

UTILICE EL CABLE PROLONGADOR ADECUADO

Cerciórese de que el cable prolongador esté en buenas condiciones. Cuando utilice un cable prolongador, cerciórese de que tenga el calibre (grosor) suficiente como para poder conducir la corriente necesaria para la herramienta. Un cable de calibre inferior causaría la caída de tensión, lo que resultaría en pérdida de potencia y en recalentamiento. En la tabla siguiente se indica el calibre correcto de acuerdo con la longitud del cable y la indicación de amperaje de la tabla de características. Cuando menor sea el número de calibre, mayor será el cable.

		CALIBRE MÍNIMO PARA CABLES			
		Longitud Total del Cable en Pies (Metros)			
		0 – 25 (0 – 7,6)	26 – 50 (7,9 – 15,2)	51 – 100 (15,5 – 30,5)	101 – 150 (30,8 – 45,7)
Amperaje nominal		AWG			
Más de	No más de				
	0 – 6	18	16	16	14
	6 – 10	18	16	14	12
	10 – 12	16	16	14	12
	12 – 16	14	12	No se recomienda	

⚠ ADVERTENCIA: Evite descargas eléctricas. No utilice nunca esta herramienta con un cable de alimentación o prolongador dañado ni reparado. Inspeccione regularmente todos los cables eléctricos. No utilice nunca la herramienta cerca del agua ni en ningún otro lugar en el que exista el riesgo de descargas eléctricas.

AISLAMIENTO DOBLE PARA OFRECER UNA OPERACIÓN MÁS SEGURA

Para garantizar una operación más segura de esta herramienta eléctrica, HITACHI ha adoptado un diseño de aislamiento doble. "Aislamiento doble" significa que se han utilizado dos sistemas de aislamiento físicamente separados para aislar los materiales eléctricamente conductores conectados a la fuente de alimentación del bastidor exterior manejado por el operador. Por lo tanto, en la herramienta eléctrica o en su placa de características aparecen el símbolo "⊞" o las palabras "Double insulation" (aislamiento doble). Aunque este sistema no posee puesta a tierra externa, usted deberá seguir las precauciones sobre seguridad eléctrica ofrecidas en este Manual de instrucciones, incluyendo la no utilización de la herramienta eléctrica en ambientes húmedos.

Para mantener efectivo el sistema de aislamiento doble, tenga en cuenta las precauciones siguientes:

- * Esta herramienta solamente deberá ser desmontada y montada en un CENTRO DE SERVICIO AUTORIZADO POR HITACHI, y sólo deberán utilizarse piezas de reemplazo genuinas de HITACHI.
- * Limpie el exterior de la herramienta eléctrica solamente con un paño suave humedecido en agua jabonosa, y después séquela bien.
- * No utilice disolventes, gasolina, ni diluidor de pintura para limpiar las partes de plástico, ya que podría disolverlas.

**¡GUARDE ESTAS
INSTRUCCIONES Y
PÓNGALAS A DISPOSICIÓN DE
OTROS USUARIOS
Y
PROPIETARIOS DE ESTA
HERRAMIENTA!**

OPERACIÓN Y MANTENIMIENTO

NOTA: La información contenida en este manual ha sido diseñada para ayudarle a realizar una operación segura y a mantener la HERRAMIENTA ELÉCTRICA. Algunas ilustraciones de este manual pueden mostrar detalles o dispositivos diferentes a los de su propia HERRAMIENTA ELÉCTRICA.

NOMENCLATURA DE PARTES

MODELO C10FSH/MODELO C10FSB

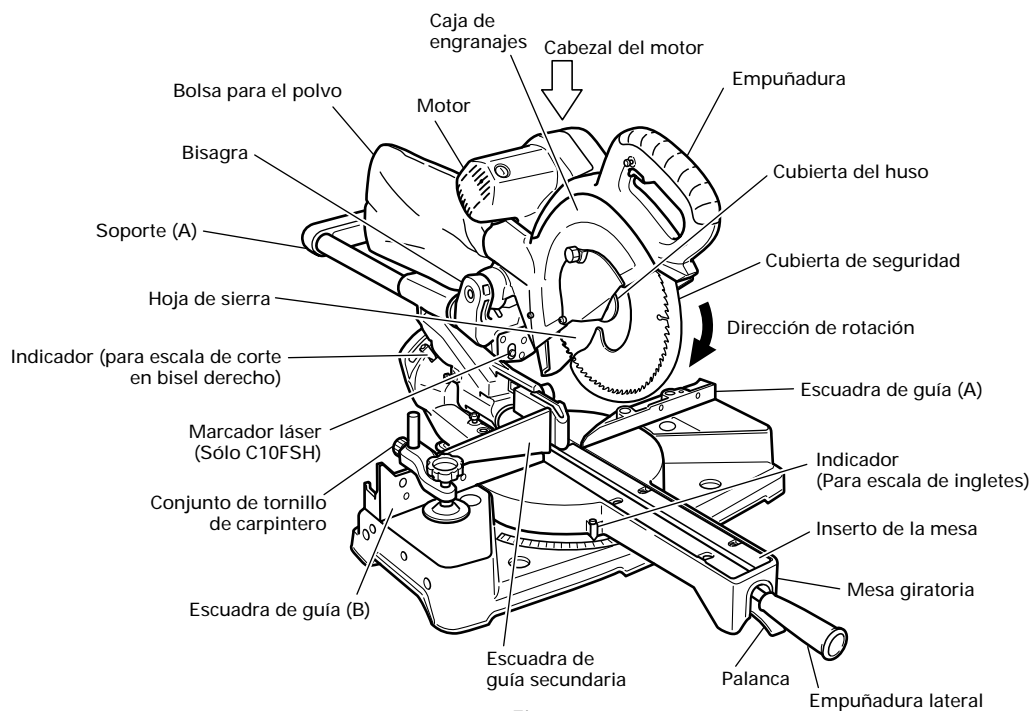


Fig. 1

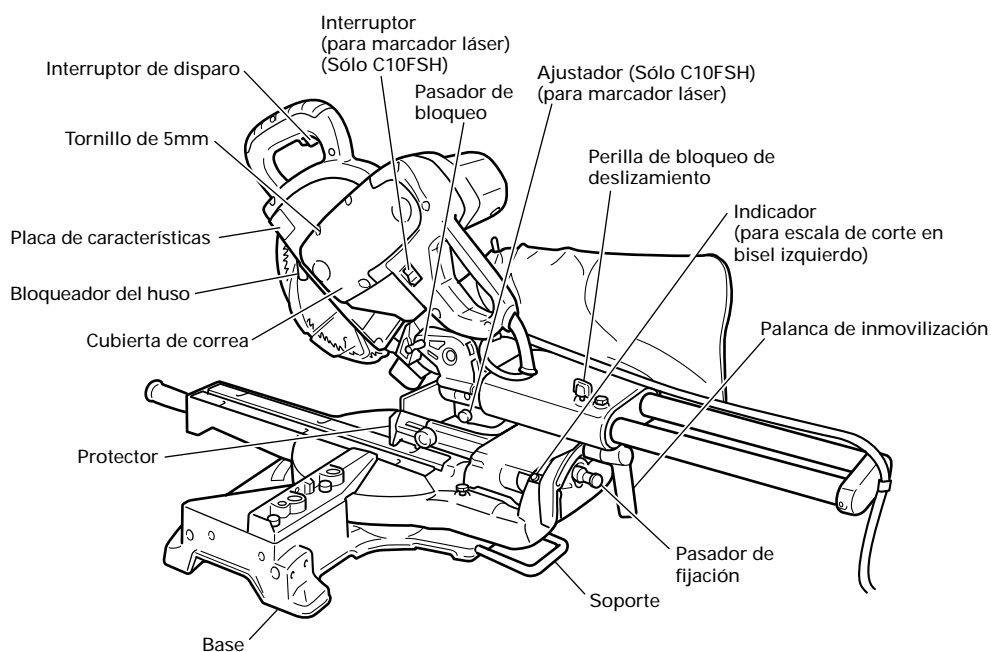


Fig. 2

ESPECIFICACIONES

Ítem	Modelo:	C 10FSH / C 10FSB		
Motor	Tipo	Motor conmutador en serie		
	Fuente de alimentación	Monofásica, CA, 60 Hz		
	Tensión (voltios)	120		
	Corriente a plena carga (amperios)	12		
Marcador láser (Sólo modelo C10FSH)	Potencia máxima	<1 mW Producto láser CLASE II		
	Longitud de onda	400 - 700mm		
	Medio de láser	Diodo láser		
Hoja de sierra aplicable	Diámetro exterior: 10" (255mm) Diámetro del orificio: 5/8" (15,9mm)			
Velocidad sin carga	3800/min			
Dimensión máxima de corte		Cabeza	Mesa giratoria	Dimensión máxima de corte
	Ingletes	0	0	Altura máx. 3-11/32" (85mm) Anchura máx. 12-9/32" (312mm) o * Altura máx. 3-9/16" (90mm) Anchura máx. 11" (280mm) Con tabla aux. 19/32" (15mm)
	0	45° a la izquierda o 45° a la derecha	0	Altura máx. 3-11/32" (85mm) Anchura máx. 8-19/32" (218mm) o * Altura máx. 3-9/16" (90mm) Anchura máx. 7-1/2" (190mm) Con tabla aux. 19/32" (15mm)
	0	57° a la derecha	0	Altura máx. 3-11/32" (85mm) Anchura máx. 6-1/2" (165mm) o * Altura máx. 3-9/16" (90mm) Anchura máx. 5-25/32" (147mm) Con tabla aux. 13/32" (10mm)
	Bisel	45° a la izquierda	0	Altura máx. 2-3/16" (55mm) Anchura máx. 12" (305mm) o * Altura máx. 2-3/8" (60mm) Anchura máx. 11" (280mm) Con tabla aux. 19/32" (15mm)
		45° a la derecha	0	Altura máx. 1-3/16" (30mm) Anchura máx. 12" (305mm) o * Altura máx. 1-3/8" (35mm) Anchura máx. 11" (280mm) Con tabla aux. 19/32" (15mm)
	Compuesto	45° a la izquierda	45° a la izquierda o 45° a la derecha	Altura máx. 2-3/16" (55mm) Anchura máx. 8-19/32" (218mm) o * Altura máx. 2-3/8" (60mm) Anchura máx. 7-1/2" (190mm) Con tabla aux. 19/32" (15mm)
		45° a la derecha	31° a la izquierda	Altura máx. 1-3/16" (30mm) Anchura máx. 10-7/32" (260mm) o * Altura máx. 1-3/8" (35mm) Anchura máx. 9-19/32" (230mm) Con tabla aux. 19/32" (15mm)
		45° a la derecha	45° a la derecha	Altura máx. 1-3/16" (30mm) Anchura máx. 8-19/32" (218mm) o * Altura máx. 1-3/8" (35mm) Anchura máx. 7-1/2" (190mm) Con tabla aux. 19/32" (15mm)
Margen de corte de ingletes	0 – 45° a la izquierda 0 – 57° a la derecha			
Margen de corte en bisel	0 – 45° a la izquierda 0 – 45° a la derecha			
Margen de corte compuesto	0 – 45° a la izquierda (bisel) 0 – 45° a la izquierda (inglete) 0 – 45° a la derecha (bisel) 0 – 45° a la izquierda (inglete) 0 – 31° (inglete) 0 – 45°			
Peso neto	43 libras (19,5kg)			
Cable	Cable de tipo de 2 conductores de 6 pies (1,8m)			

Cuando corte la pieza de trabajo con las dimensiones de " * " puede existir la posibilidad de que el extremo inferior de la sierra circular toque la pieza de trabajo, incluso aunque la cabeza del motor se encuentre en la posición del límite superior. Preste atención cuando corte la pieza de trabajo. Para más detalles, consulte "APLICACIONES PRÁCTICAS" de la página 73. Monte la tabla auxiliar sobre la superficie de la escuadra de guía (Refiérase a () sobre el espesor de la tabla auxiliar). Refiérase a "5. Corte de piezas de trabajo grandes" en la página 75 (Fig. 27).

ACCESORIOS

⚠ ADVERTENCIA: Los accesorios para esta herramienta eléctrica se mencionan en este Manual de instrucciones.
La utilización de otros accesorios puede resultar peligrosa y causar lesiones o daños mecánicos.

ACCESORIOS ESTÁNDAR

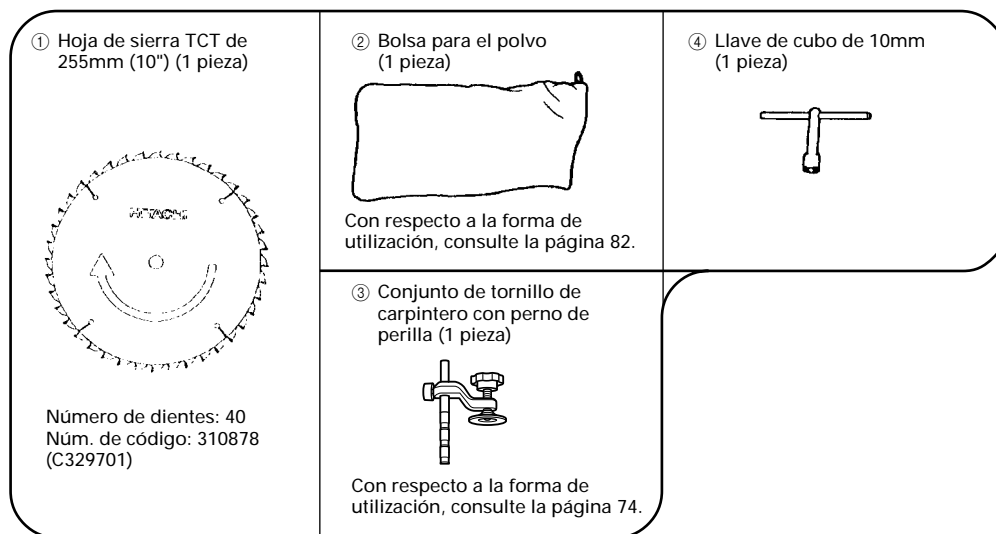


Fig. 3

ACCESORIOS OPCIONALES.....de venta por separado

- ① Soporte de extensión y retén (Código N° 321553)
- ② Hoja de sierra de 10" (255mm) Hoja de sierra TCT (Total de dientes: 72) (Código N° 725206)
- ③ Escuadra de guía secundaria (A) (Código N° 321387)
- ④ Conj. de tornillo de carpintero para moldura en vértice (N° de código 321434) (Incluye tope (L) de moldura en vértice)
- ⑤ Tope (L) de moldura en vértice (N° de código 321374)
- ⑥ Tope (R) de moldura en vértice (N° de código 321373)

NOTA: Los accesorios están sujetos a cambio sin ninguna obligación por parte de HITACHI.

APLICACIONES

Puertas corredizas de madera y aluminio.

PREPARATIVOS PREVIOS A LA OPERACIÓN

Antes de utilizar la herramienta eléctrica, realice los preparativos siguientes.

1. Instalación

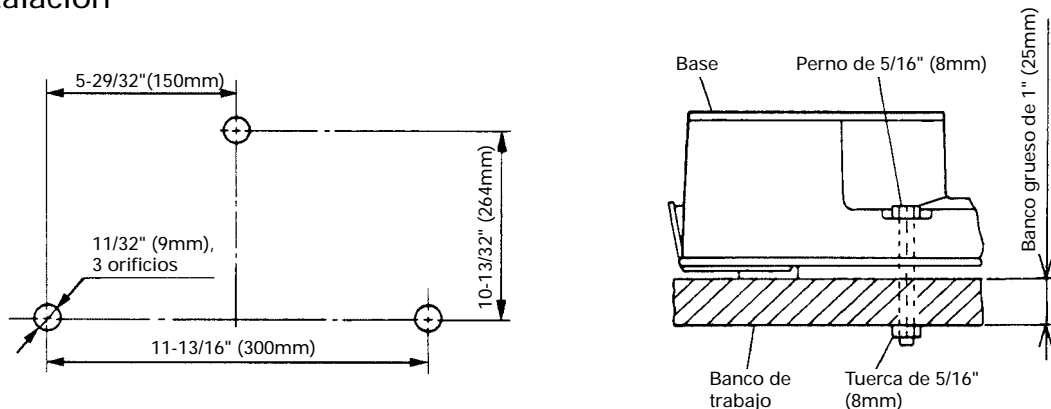


Fig. 4

Coloque la herramienta eléctrica sobre un banco de trabajo nivelado horizontal, como se muestra en la Fig. 4.

Seleccione pernos de 5/16" (8mm) de diámetro y de la longitud adecuada al grosor del banco de trabajo. La longitud del perno deberá ser de 1-9/16" (40mm) por lo menos más el grosor del banco de trabajo. Por ejemplo, utilice pernos de 2-9/16" (65mm) o más para un banco de trabajo con grosor de 1" (25mm). El soporte (B) fijado a la parte posterior de la base ayuda a estabilizar la herramienta eléctrica.

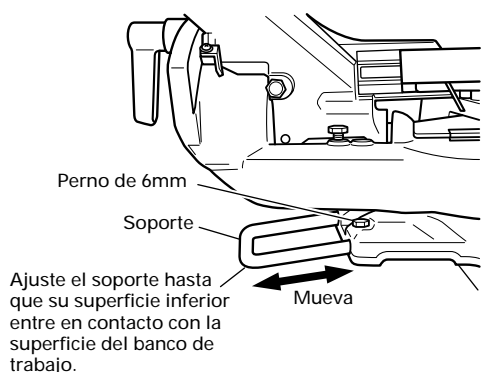


Fig. 5

Ajuste del soporte:

Afloje el perno de 6mm con la llave de cubo de Llave de cubo de 10mm suministrada.

Ajuste el soporte hasta que su superficie inferior entre en contacto con la superficie del banco de trabajo.

Después del ajuste, apriete firmemente el perno de 6mm.

2. Liberación del pasador de bloqueo

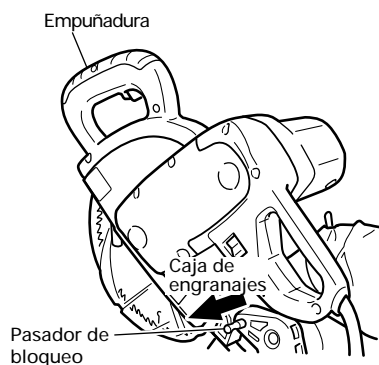


Fig. 6

Cuando la herramienta eléctrica esté preparada para transportarse, sus partes principales estarán aseguradas mediante el pasador de bloqueo.

Mueva ligeramente la empuñadura de forma que el pasador de bloqueo pueda desenganchar.

NOTA: Si baja ligeramente la empuñadura podrá desenganchar el pasador de bloqueo de forma más fácil y segura. La posición de bloqueo del pasador de bloqueo es solamente para transporte y almacenamiento.

3. Instalación de la bolsa para el polvo, el soporte, el retén, y los tornillos de carpintero (El soporte y el retén son accesorios opcionales.)

Fije la bolsa para el polvo y el conjunto de tornillo de carpintero como se indica en la Fig. 1 y Fig. 2.

ANTES DE LA UTILIZACIÓN

1. Cerciórese de que la fuente de alimentación sea adecuada para la herramienta.

⚠ ADVERTENCIA: No conecte nunca la herramienta eléctrica a menos que la fuente de alimentación de CA disponible sea de la misma tensión que la especificada en la placa de características de dicha herramienta.

2. Cerciórese de que el interruptor de disparo esté en OFF.

⚠ ADVERTENCIA: Si conectase el cable de alimentación en la fuente de alimentación con el interruptor de disparo en ON, la herramienta se pondría repentinamente en funcionamiento y podría causar un accidente serio.

3. Compruebe si la hoja de sierra posee defectos visibles.

Confirme que la hoja de sierra esté exenta de rajaduras y de otros defectos visibles.

4. Confirme que la hoja de sierra esté fijada con seguridad a la herramienta eléctrica.

Utilizando la llave de cubo de 10mm suministrado, apriete el perno del huso de la hoja de sierra para asegurar ésta.

Con respecto a los detalles, consulte la Fig. 51-a, 51-b y 51-c de la sección "MONTAJE Y DESMONTAJE DE LA HOJA DE SIERRA".

5. Compruebe si la cubierta de seguridad funciona adecuadamente.

La cubierta de seguridad ha sido diseñada para evitar que el operador entre en contacto con la hoja de sierra cuando utilice la herramienta.

Compruebe siempre si la cubierta de seguridad se mueve suavemente y si cubre adecuadamente la hoja de sierra.

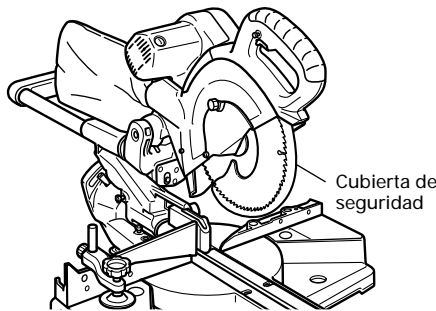


Fig. 7

⚠ ADVERTENCIA: NO UTILICE NUNCA LA HERRAMIENTA ELÉCTRICA si la cubierta de seguridad no funciona suavemente.

6. Antes de utilizar la herramienta, confirme la posición del bloqueador del huso.

Después de haber instalado la hoja de sierra, confirme que el bloqueador del huso está en posición de retraída antes de utilizar la herramienta eléctrica (consulte la Fig. 2).

7. Compruebe la posición del límite inferior de la hoja de sierra.

Aunque fue ajustada antes del envío, compruebe cuidadosamente la altura de la hoja de sierra. Confirme que la hoja de sierra pueda bajarse de 13/32" a 7/16" (10 a 11mm) por debajo del inserto de la mesa. Con respecto a los detalles, consulte la sección "Comprobación de la posición del límite inferior de la hoja de sierra".

8. Compruebe el tomacorriente de CA.

Para evitar el recalentamiento, la parada accidental, o la operación intermitente, confirme que el enchufe del cable de alimentación esté firmemente insertado en el tomacorriente y que no se caiga después de haberlo insertado. Si el tomacorriente está defectuoso repare o reemplácelo.

9. Confirme que el cable de alimentación de la herramienta no esté dañado.

Si el cable de alimentación está dañado, repare o reemplácelo.

DESPUÉS DE HABER CONECTADO EL ENCHUFE DEL CABLE DE ALIMENTACIÓN EN UN TOMACORRIENTE DE CA APROPIADO, COMPRUEBE LA OPERACIÓN DE LA HERRAMIENTA DE LA FORMA SIGUIENTE:

10. Operación de prueba

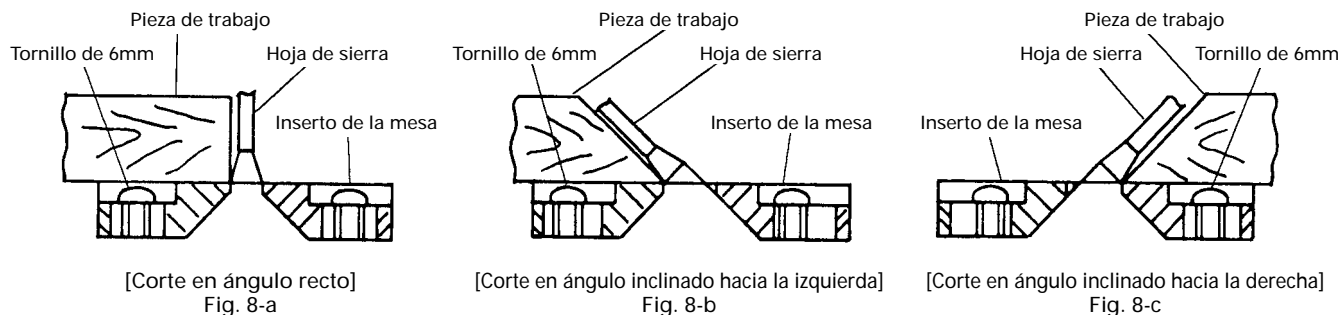
Después de haber confirmado que no se ha olvidado de nada, ponga en funcionamiento la herramienta eléctrica, y confirme que no haya ninguna anomalía antes de intentar realizar la operación de corte.

11. Inspeccione la estabilidad de rotación de la hoja de sierra.

Para cortar con precisión, gire la hoja de sierra y compruebe la deflexión para confirmar que la hoja no esté inestable, ya que de lo contrario, podrían producirse vibraciones y ocurrir un accidente.

ANTES DEL CORTE

1. Ubicación del inserto de la mesa



Los insertos de la mesa se instalan en la mesa giratoria. Cuando la herramienta sale de la fábrica, los insertos de la mesa están fijados de forma que la hoja de sierra no entre en contacto con ellos. Las rebabas de la superficie inferior de la pieza de trabajo se reducirán notablemente si el inserto de la mesa está fijado de forma que la separación entre la superficie lateral del inserto de la mesa y la hoja de sierra sea mínima. Antes de utilizar la herramienta, elimine esta separación de acuerdo con el procedimiento siguiente.

(1) Corte en ángulo recto

Afloje los tres tornillos de 6mm, seguidamente asegure el inserto de mesa del lado izquierdo y apriete temporalmente los tornillos para metales de 6mm de ambos extremos. Luego fije una pieza de trabajo (aproximadamente 7-7/8" (200mm) de ancho) con el conjunto de tornillo de banco y córtela. Tras alinear la superficie de corte con el borde del inserto de mesa, apriete firmemente los tornillos para metales de 6mm de ambos extremos. Retire la pieza de trabajo y apriete firmemente el tornillo para metales central de 6mm. Ajuste de la misma manera el inserto de mesa del lado derecho.

(2) Corte en bisel hacia la izquierda y la derecha

Ajuste el inserto de la mesa de la forma mostrada en la Fig. 8-b y Fig. 8-c siguiendo el mismo procedimiento que para el corte en ángulo recto.

⚠ PRECAUCIÓN: Después de haber ajustado el inserto de la mesa para el corte en ángulo recto, dicho inserto se cortará ligeramente si se utiliza para corte en bisel. Cuando se requiera la operación de corte en bisel, ajuste el inserto de la mesa para dicho corte.

2. Comprobación de la posición de límite inferior de la hoja de sierra

Compruebe que la hoja de sierra se pueda bajar de 13/32" a 7/16" (10mm a 11mm) por debajo del inserto de la mesa, tal como se muestra en la Fig. 9.

Cuando reemplace la hoja de sierra por una nueva, ajuste la posición de límite inferior de manera que la hoja de sierra no llegue a cortar la mesa giratoria, puesto que de lo contrario no se podrá realizar un corte completo.

Para ajustar la posición de límite inferior de la hoja de sierra, siga los procedimientos (1) a (4) indicados abajo. (Fig. 10)

Asimismo, cuando cambie la posición del perno de ajuste de profundidad de 8mm que sirve de tope para la posición de límite inferior de la hoja de sierra, se deberá cambiar la posición del tornillo de fijación hexagonal de 8mm provisto en el orificio del tornillo para el perno de ajuste de profundidad de 8mm que sirve de tope.

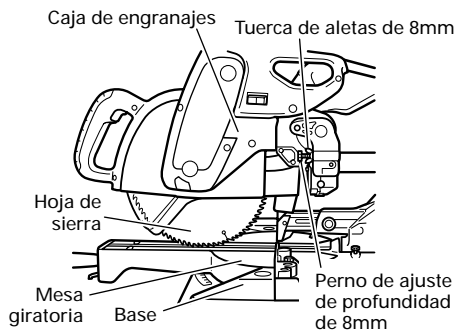


Fig. 9

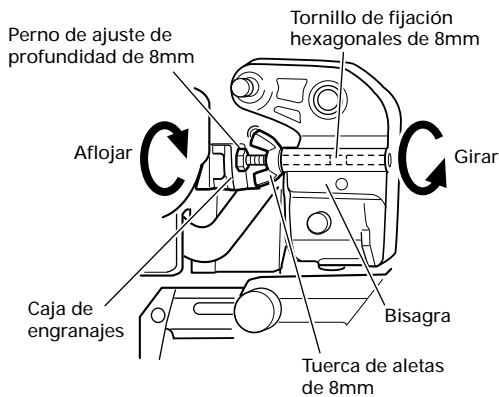


Fig. 10

- (1) Afloje la tuerca de aletas de 8mm.
- (2) Inserte la llave de barra hexagonal de 6mm desde la parte trasera de la herramienta y gire el tornillo de fijación hexagonal de 8mm hacia la izquierda (en sentido antihorario), visto desde la parte trasera de la herramienta.
- (3) Gire el perno de ajuste de profundidad de 8mm, cambie la altura de contacto entre la cabeza del perno y la caja de engranajes, y ajuste la posición de límite inferior de la hoja de sierra. Una vuelta del perno de ajuste de profundidad de 8mm cambia la posición de límite inferior de la hoja de sierra en aproximadamente 5/16" (8mm). Utilice esta información como guía aproximada.
- (4) Gire el tornillo de fijación hexagonal de 8mm hacia la derecha (en sentido horario) visto desde la parte trasera de la herramienta, y deje que haga un contacto suave con la punta del perno de ajuste de profundidad de 8mm.

3. Posición de límite inferior de la hoja de sierra cuando se corta una pieza de trabajo grande

NOTA: Cuando corte una pieza de trabajo cuya altura exceda de 3-11/32" (85mm) en el corte en ángulo recto, 2-3/16" (55mm) en el corte en ángulo a bisel izquierdo, o 1-3/16" (30mm) en el corte en ángulo a bisel derecho, ajuste la posición de límite inferior de manera que la base de la cabeza del motor (consulte la Fig. 9) no entre en contacto con la pieza de trabajo.

Para ajustar la posición de límite inferior de la hoja de sierra, siga los procedimientos (1) a (3) indicados en la Fig. 10-a.

- (1) Afloje la tuerca de aletas de 8mm de manera que sea posible girar el perno de ajuste de profundidad de 8mm con la mano.
- (2) Baje la cabeza del motor, y gire el perno de ajuste de profundidad de 8mm con la mano, y realice los ajustes de manera que se pueda formar una holgura de 3/32" a 1/8" (2mm a 3mm) entre la posición de límite inferior de la cabeza del motor y la parte superior de la pieza de trabajo en la posición de límite inferior de la hoja de sierra (donde la cabeza del perno de ajuste de profundidad de 8mm entra en contacto con la caja de engranajes).
- (3) Después del ajuste, gire la tuerca de aletas de 8mm hasta que entre en contacto con la bisagra (consulte la Fig. 10), y apriétela completamente.

4. Confirmación sobre el uso de la escuadra de guía secundaria

⚠ ADVERTENCIA: Para el corte a bisel izquierdo, gire la escuadra de guía secundaria en el sentido contrario a las agujas del reloj. De no girarla en el sentido indicado, el cuerpo principal o la hoja de sierra podría entrar en contacto con la escuadra de guía secundaria y producir lesiones.

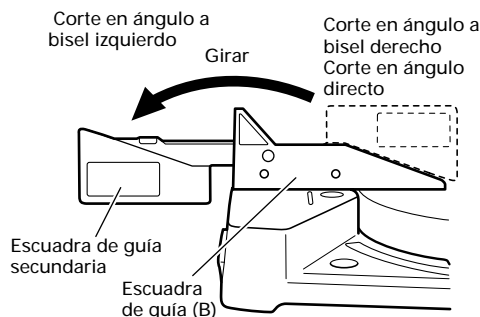


Fig. 11

Esta herramienta mecánica está equipada con una escuadra de guía secundaria.

En el caso de corte en ángulo directo y de corte en ángulo a bisel derecho, utilice la escuadra de guía secundaria. Esto le permitirá realizar un corte estable del material con una cara trasera ancha.

En el caso de corte a bisel izquierdo, eleve la escuadra de guía secundaria tal como se observa en la Fig. 11 y luego gírela en el sentido contrario a las agujas del reloj.

5. Ángulo oblicuo

Cuando la herramienta sale de fábrica, está ajustada para corte de 0°, en ángulo recto, en bisel de 45° hacia la izquierda, y en bisel de 45° hacia la derecha con los pernos (A) y (B) de 8mm, y el perno (C) de 8mm.

Cuando cambie el ajuste, cambie la altura de los pernos (A) y (B) de 8mm, o el perno (C) de 8mm girándolos.

Cuando cambie el ángulo de bisel a 45° hacia la derecha, tire del pasador de fijación en el sentido mostrado en la Fig. 12-a, e incline la cabeza del motor hacia la derecha.

Cuando ajuste la cabeza del motor a 0°, siempre haga volver el pasador de fijación a su posición inicial, tal como se observa en la Fig. 12-b.

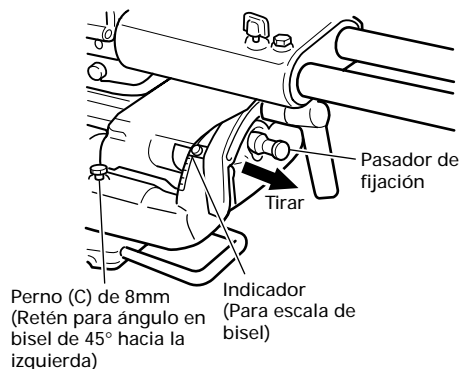


Fig. 12-a

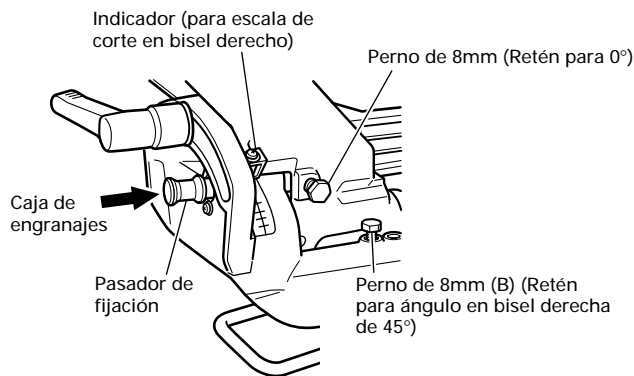


Fig. 12-b

6. Inmovilización de la pieza de trabajo

⚠ ADVERTENCIA: Sujete siempre la pieza de trabajo a la escuadra de guía, ya que de lo contrario podría salirse de la mesa y causar lesiones serias.

7. Instalación de los soportes ... (Accesorios opcionales)

Los soportes ayudan a mantener estables, y en su lugar, las piezas de trabajo largas durante la operación de corte.

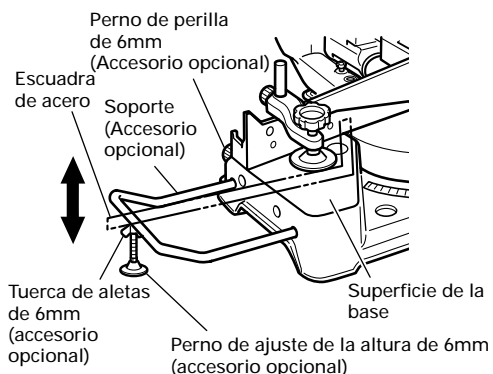


Fig. 13

(1) Como se indica en la Fig. 13, utilice una escuadra de acero para alinear el borde superior de los soportes con la superficie de la base.

Afloje el perno de aletas de 6mm. Gire el perno de ajuste de altura de 6mm, y ajuste la altura del soporte.

(2) Después del ajuste, apriete firmemente la tuerca de mariposa y asegure el sujetador con el perno de perilla de 6mm (accesorio opcional). Si el largo del perno de ajuste de altura de 6mm es insuficiente, coloque debajo una placa delgada. Asegúrese de que el extremo del perno de ajuste de altura de 6mm no sobresalga del sujetador.

8. Retén para precisión de corte ... (El retén y el soporte son accesorios opcionales)

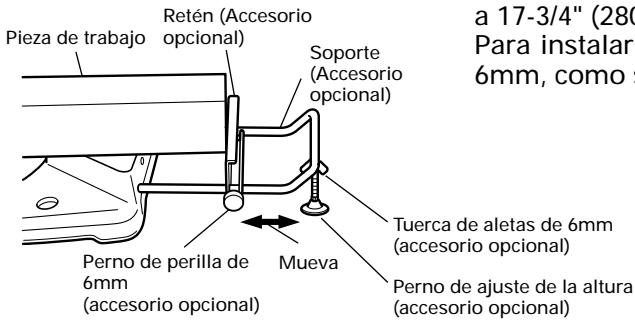


Fig. 14

El retén facilita la precisión del corte continuo en longitudes de 11" a 17-3/4" (280 a 450mm).

Para instalar el retén, fíjelo al soporte con el perno de perilla de 6mm, como se muestra en la Fig. 14.

9. Confirmación para el uso de la escuadra de guía secundaria (A) ... (Accesorio opcional)

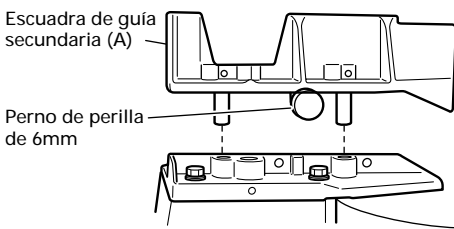


Fig. 15

⚠ ADVERTENCIA: En el caso de corte a bisel derecho, desmonte la escuadra de guía secundaria (A). Si no la desmonta, entrará en contacto con la hoja o con alguna parte de la herramienta, y causará lesiones de gravedad al operador.

En el caso de corte en ángulo directo y de corte angular, utilice la escuadra de guía secundaria (A). La escuadra de guía secundaria (A) se puede instalar en el lado derecho de la escuadra de guía. Inserte las varillas de la escuadra de guía secundaria (A) en los orificios de la escuadra de guía. Apriete el perno de perilla de 6mm entregado con la escuadra de guía secundaria (A) para asegurar la misma. Luego podrá realizar un corte estable del material con una cara trasera ancha.

10. Posición de ajuste de la línea de láser (Sólo modelo C10FSH)

- ⚠ ADVERTENCIA:**
- * Antes de enchufar la clavija de alimentación en el tomacorriente, asegúrese de que el cuerpo principal y el marcador láser se encuentren apagados.
 - * Durante el ajuste de posición de la línea de láser, preste suma atención al interruptor de gatillo, ya que la clavija de alimentación se encuentra enchufada durante la operación. Una activación involuntaria del interruptor de gatillo hará girar la hoja de sierra, lo cual podría ocasionar a su vez un accidente inesperado.
 - * No utilice el marcador láser para otros fines que no sean los indicados.

⚠ PRECAUCION:

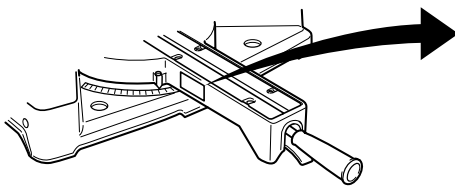


Fig. 16

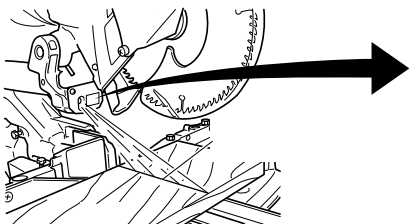
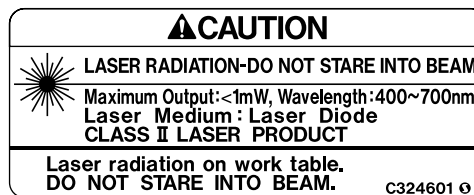
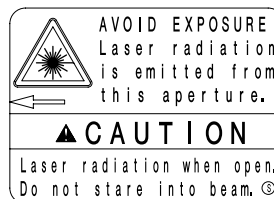


Fig. 17



- * Radiación láser: No mire fijamente el haz.
- * Radiación láser sobre la mesa de trabajo. No mire fijamente el haz. Evite la exposición de los ojos a radiación directa, pues podría sufrir lesiones.
- * No lo desmonte.

- * No aplique un impacto fuerte al marcador láser (cuerpo principal de la herramienta); de lo contrario, no sólo se alterará la posición de la línea de láser, sino que se producirán daños o se acortará la vida de servicio del marcador láser.
- * Mantenga el marcador láser encendido sólo durante la operación de corte. Una iluminación prolongada hará que se acorte su vida de servicio.
- * La utilización de controles, ajustes o de procedimientos distintos de los especificados en la presente podría significar una exposición peligrosa a la radiación.

NOTA:

- * Efectúe el corte haciendo coincidir la línea de tinta con la línea de láser.
- * Cuando la línea de tinta y la línea de láser se encuentran superpuestas, la intensidad y la tenuidad de la luz cambian, permitiendo una operación de corte estable debido a que será posible determinar fácilmente la coincidencia de las líneas. Esto permitirá reducir al mínimo los errores de corte.
- * En operaciones en exteriores o cerca de ventanas, la línea de láser podría ser difícil de ver debido a la luz del sol. En tales casos, trasládese a un sitio protegido de la luz del sol.
- * No tire con fuerza del cordón provisto detrás de la cabeza del motor ni enganche su dedo o algún objeto alrededor del mismo; de lo contrario, el cordón se podría salir y el marcador láser no se podrá encender.

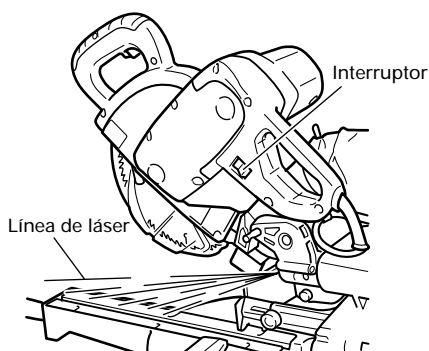


Fig. 18

La línea de tinta puede ser realizada fácilmente en esta herramienta para el marcador láser.

Un interruptor enciende el marcador láser. (Fig. 18)

Dependiendo del corte a realizar, se podrá alinear la línea de láser con el lado izquierdo del ancho de corte (hoja de sierra) o con la línea de tinta del lado derecho.

Antes de despacharse de fábrica, la línea de láser es ajustada al ancho de la hoja de sierra. Realice los siguientes pasos para ajustar la posición de la hoja de sierra y de la línea de láser según sus necesidades.

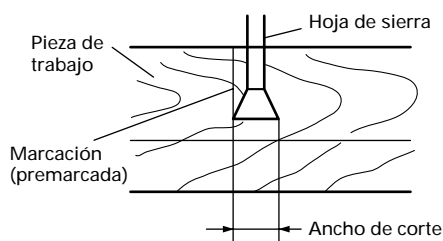


Fig. 19

- (1) Encienda el marcador láser y efectúe una ranura de aproximadamente 3/16" (5mm) de profundidad en una pieza de trabajo de unos 25/32" (20mm) de alto y 5-29/32" (150mm) de ancho. Sostenga la pieza de trabajo ranurada mediante el tornillo de carpintero tal como está, y no la mueva. Para el trabajo de ranurado, refiérase a "11. Procedimientos de corte de ranuras" en la página 81.

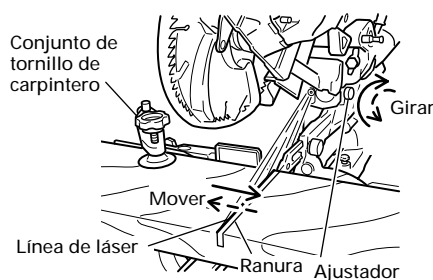


Fig. 20

- (2) Luego, gire el ajustador y desplace la línea de láser. (Si gira el ajustador en el sentido de las agujas del reloj, la línea de láser se desplazará hacia la derecha y si lo gira en sentido contrario a las agujas del reloj, se desplazará hacia la izquierda.) Cuando trabaje con la línea de tinta alineada con el lado izquierdo de la hoja de sierra, alinee la línea de láser con el extremo izquierdo de la ranura. (Fig. 20) Cuando la alinee con el lado derecho de la hoja de sierra, alinee la línea de láser con el lado derecho de la ranura.

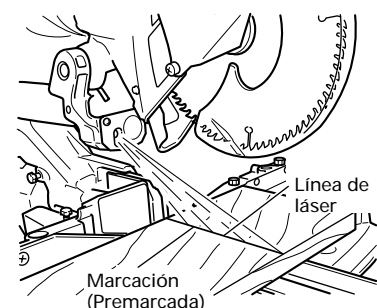


Fig. 21

- (3) Tras ajustar la posición de la línea de láser, trace sobre la pieza de trabajo una línea de tinta en ángulo recto y alinee la línea de tinta con la línea de láser. Cuando alinee la línea de tinta, deslice gradualmente la pieza de trabajo y asegúrela con el tornillo de carpintero en la posición en que la línea de láser coincida con la línea de tinta.

Trabaje de nuevo en el ranurado y verifique la posición de la línea de láser. Si desea cambiar la posición de la línea de láser, vuelva a realizar los ajustes desde los pasos (1) a (3).

NOTA: Compruebe sobre una base periódica que la posición de la línea de láser sea la correcta. Con respecto al método de verificación, trace una línea de tinta en ángulo recto sobre una pieza de trabajo de aproximadamente 25/32" (20mm) de alto y 5-29/32" (150mm) de ancho, y compruebe que la línea de láser coincide con la línea de tinta.
[La desviación entre la línea de tinta y la línea de láser debe ser inferior al ancho de la línea de tinta (0,5mm)]. (Fig. 21).

APLICACIONES PRÁCTICAS

- ⚠ ADVERTENCIA:** * Para evitar lesiones, no quite ni reemplace nunca la pieza de trabajo sobre la mesa mientras la herramienta esté en funcionamiento.
* No coloque nunca sus miembros dentro de la línea cerca del signo de advertencia mientras esté utilizando la herramienta. Esto podría resultar peligroso (consulte la Fig. 22).

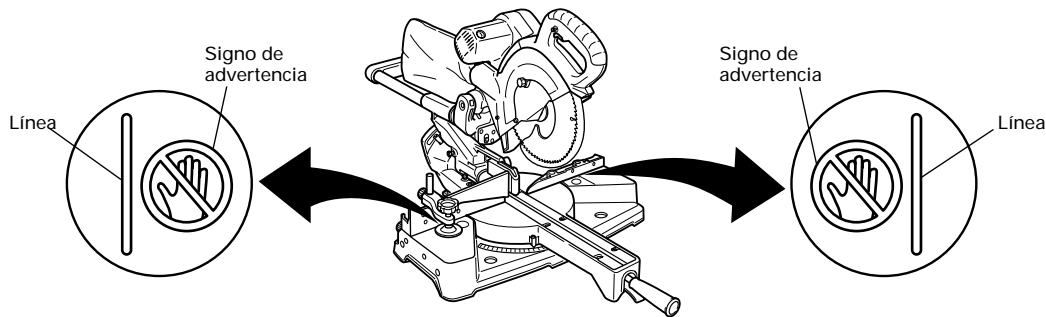


Fig. 22

1. Operación de conmutación

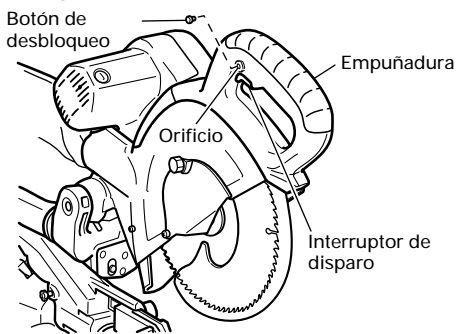


Fig. 23

El botón de bloqueo del interruptor de disparo ha sido diseñado para evitar la operación inadvertida de la herramienta eléctrica. Para utilizar esta herramienta será necesario insertar en primer lugar el botón de desbloqueo a fondo en el orificio de la empuñadura como se muestra en la Fig. 23.

El interruptor de disparo no funcionará a menos que el botón de desbloqueo esté presionado.

Cuando suelte el interruptor de disparo, la alimentación se desconectará y el botón de desbloqueo volverá automáticamente a su posición inicial, bloqueando el interruptor de disparo.

- ⚠ ADVERTENCIA:** Cuando no vaya a utilizar la herramienta eléctrica, desenganche el botón de bloqueo de la empuñadura de la misma. Esto asegurará el que la herramienta eléctrica no se ponga en funcionamiento accidentalmente o que no pueda utilizarla otra persona (especialmente niños) no cualificada para utilizarla. Si dejase el botón de desbloqueo en la empuñadura, podrían producirse lesiones serias. Como el botón de desbloqueo encaja de forma bastante apretada, puede ser necesario girarlo hacia la izquierda o la derecha durante el montaje y el desmontaje.

2. Utilización del conjunto de tornillo de carpintero (Accesorio estándar)

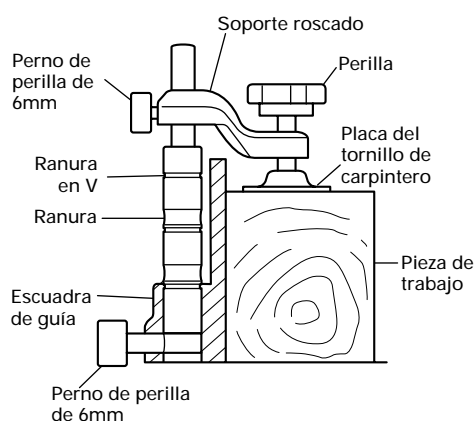


Fig. 24

El conjunto del tornillo de carpintero podrá montarse en la escuadra de guía izquierda (escuadra de guía (B)) o en la derecha (escuadra de guía (A)), y podrá elevar o bajarse de acuerdo con la altura de la pieza de trabajo.

Para elevar o bajar el conjunto del tornillo de carpintero, afloje en primer lugar el perno de perilla de 6mm. Tal como se muestra en la Fig. 24, el eje del tornillo de carpintero posee tres ranuras de fijación diseñadas para que entre la punta del perno de aletas de 6mm a fin de bloquear el soporte roscado en la posición deseada.

Para asegurar que la punta del perno de aletas de 6mm haya quedado correctamente alineado con la ranura de bloqueo del eje del tornillo de carpintero, simplemente alinee la superficie superior de la escuadra de guía con cualquiera de las tres ranuras en V de la superficie del eje del tornillo de carpintero o con la superficie inferior del soporte roscado.

Por lo tanto, el conjunto del tornillo de carpintero podrá fijarse en cualquiera de las tres posiciones para asegurar el ajuste apropiado de la altura.

Después de haber ajustado la altura, apriete firmemente el perno de aletas de 6mm, y después gire la perilla superior, según se requiera, para fijar la pieza de trabajo en posición.

⚠ PRECAUCIÓN: Confirme siempre que la cabeza del motor (consulte la Fig. 1) no entre en contacto con el conjunto de tornillo de carpintero cuando descienda para realizar la operación de corte. Si existe el peligro de que pueda pasar esto, afloje ligeramente el perno de perilla de 8mm y mueva el conjunto del tornillo de carpintero hasta una posición en la que no entre en contacto con la hoja de sierra.

En el caso de corte compuesto en ángulo de bisel izquierdo y ángulo de ingletes izquierdo, podrá fijar una pieza de trabajo de hasta 2-3/16" (55mm) con el conjunto de tornillo de banco montado sobre el lado izquierdo. En caso de que la altura de la pieza de trabajo exceda de 2-3/16" (55mm), monte el conjunto de tornillo de banco sobre el lado opuesto a la inclinación de la cabeza del motor. Para otros cortes compuestos (bisel izquierdo + inglete derecho, bisel derecho + inglete izquierdo y bisel derecho + inglete derecho), monte el conjunto de tornillo de banco sobre el lado opuesto a la inclinación de la cabeza del motor para evitar que el conjunto de tornillo de banco haga contacto con la cabeza del motor.

3. Operación de corte

- (1) Como se muestra en la Fig. 25, la anchura de la hoja de sierra es la de corte. Por lo tanto, deslice la pieza de trabajo hacia la derecha (vista desde la posición del operador) cuando desee la longitud (b), o hacia la izquierda cuando desee la longitud (a).

(Sólo modelo C10FSH)

Si se utiliza un marcador láser, alinee la línea de láser con el lado izquierdo de la hoja de sierra, y luego alinee la línea de tinta con la línea de láser.

- (2) Cuando la hoja de sierra haya alcanzado la velocidad máxima, empuje cuidadosamente hacia abajo la empuñadura hasta que la hoja de sierra se acerque a la pieza de trabajo.
- (3) Cuando la hoja de sierra haya entrado en contacto con la pieza de trabajo, empuje gradualmente hacia abajo la empuñadura para cortar dicha pieza.
- (4) Después de haber cortado la pieza de trabajo con la profundidad deseada, desconecte la alimentación de la herramienta eléctrica y deje que la hoja de sierra se pare completamente antes de levantar la empuñadura de la pieza de trabajo para devolverla a su posición de completamente retraída.

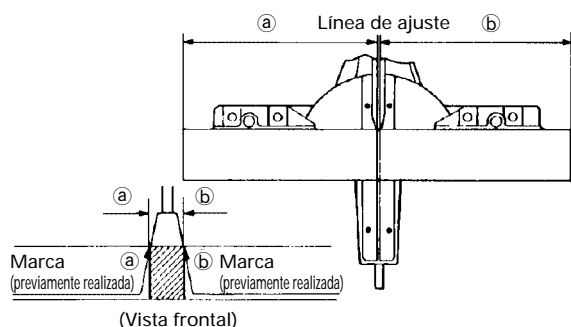


Fig. 25

⚠ PRECAUCIÓN: * El aumento de la presión sobre la empuñadura no aumentará la velocidad de corte. Por el contrario, la presión excesiva puede resultar en sobrecarga del motor y/o en reducción de la eficacia de corte.

⚠ ADVERTENCIA: * Cuando no vaya a utilizar la herramienta, confirme que el interruptor de disparo esté en OFF y de que el enchufe del cable de alimentación esté desconectado del tomacorriente.
 * Después de haber finalizado el trabajo, quite el botón de desbloqueo de la empuñadura y guárdelo en un lugar seguro.
 * Siempre desconecte la alimentación y deje que la hoja de sierra se detenga completamente antes de levantar la empuñadura de la pieza de trabajo.
 Si se levantara la empuñadura mientras está girando la hoja de sierra, la pieza de corte podría atascarse contra la hoja de sierra y los fragmentos del material podrían salir despedidos, con el consiguiente peligro.
 * Cada vez que finaliza una operación de corte o de corte de profundidad, desactive el interruptor, y compruebe que la hoja de sierra se encuentra detenida. Luego levante la empuñadura, y colóquela en la posición de retracción total.
 * Cerciórese de retirar el material de corte de la parte superior de la mesa giratoria, y luego realice el paso siguiente.
 * Una operación de corte continua podrá provocar la sobrecarga del motor. Toque el motor y, si está caliente, detenga una vez la operación de corte, espere unos 10 minutos o más, y luego vuelva a iniciar la operación de corte.

4. Corte de piezas de trabajo estrechas (Corte a presión)

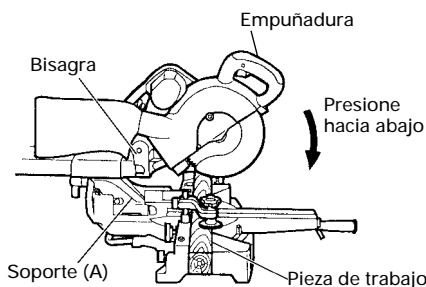


Fig. 26

Deslice la bisagra hacia abajo hasta el soporte (A), y después apriete la perilla de inmovilización de deslizamiento (véase la Fig. 2) como se indica en la Fig. 26.

Baje la empuñadura para cortar la pieza de trabajo.

Utilizando la herramienta eléctrica de esta forma podrá cortar piezas de trabajo cuadradas de hasta 3-11/32" (85mm).

5. Corte de piezas de trabajo grandes

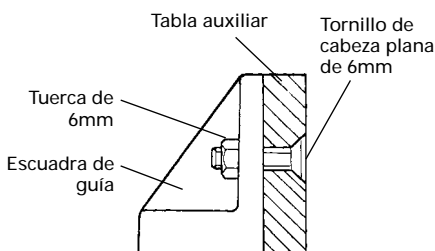


Fig. 27

Dependiendo de la altura de la pieza de trabajo, puede suceder que no se pueda realizar un corte completo. En este caso, monte una tabla auxiliar con los tornillos de cabeza plana de 6mm y las tuercas de 6mm utilizando los orificios de 7mm de la superficie de la escuadra de guía (dos orificios de cada lado). (Fig. 27)

Con respecto al espesor de la tabla auxiliar, refiérase a la página 64 "ESPECIFICACIONES".

6. Corte de piezas de trabajo anchas (Corte con deslizamiento)

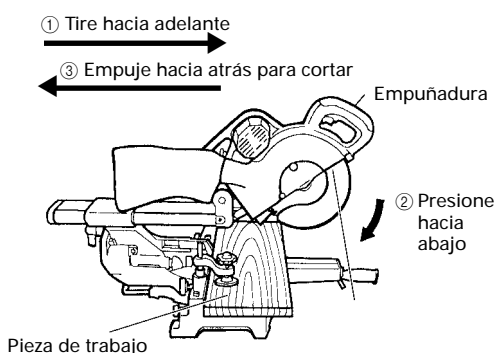


Fig. 28

(1) Piezas de trabajo de hasta 3-11/32" (85mm) de altura y 12-9/32" (312mm) de anchura: Afloje la perilla de inmovilización de deslizamiento, sujete la empuñadura, y deslice la hoja de sierra hacia adelante.

Después presione hacia abajo la empuñadura y deslice la hoja de sierra hacia atrás para cortar la pieza de trabajo como se indica en la Fig. 28. Esto facilitará el corte de piezas de trabajo de hasta 3-11/32" (85mm) de altura y 12-9/32" (312mm) de anchura.

(2) Piezas de trabajo de hasta 3-9/16" (90mm) de altura y 11" (280mm) de anchura: Las piezas de trabajo de hasta 3-35/64" (90mm) de altura y 11" (280mm) de anchura podrán cortarse de la misma forma que la descrita en el párrafo 6-(1) anterior.

- ⚠ PRECAUCIÓN:**
- * Cuando corte una pieza de trabajo de 3-11/32" (85mm) de altura, ajuste la posición del límite inferior de la cabeza del motor de forma que la separación entre el borde inferior de la cabeza del motor y la pieza de trabajo sea de 3/32" a 1/8" (2 a 3mm) en la posición límite inferior.
 - * Si presiona la empuñadura con excesiva fuerza vertical o lateral, la hoja de sierra puede vibrar durante la operación de corte y causar marcas indeseadas en la pieza de trabajo reduciendo, de esta forma, la calidad del corte. Por consiguiente, presione suave y cuidadosamente la empuñadura.
 - * En el corte deslizable, presione suavemente la empuñadura hacia atrás (separándose del operador) con una operación única y uniforme. Si parase el movimiento de la empuñadura durante el corte, se producirían marcas de corte indeseadas en la pieza de trabajo.

- ⚠ ADVERTENCIA:**
- * Para el corte deslizable, siga los procedimientos indicados en la Fig. 28 anterior. El corte deslizable hacia adelante (hacia el operador) es muy peligroso porque la hoja de sierra puede salir despedida de la pieza de trabajo. Por lo tanto, deslice siempre la empuñadura alejándola de usted mismo.
 - * Devuelva siempre el carro a la posición completamente posterior después de cada operación de corte en cruza fin de reducir el riesgo de lesiones.
 - * No coloque nunca su mano en la empuñadura lateral durante la operación de corte porque la hoja de sierra se acercará a la empuñadura lateral cuando se baje la cabeza del motor.

7. Procedimientos de corte de ingletes

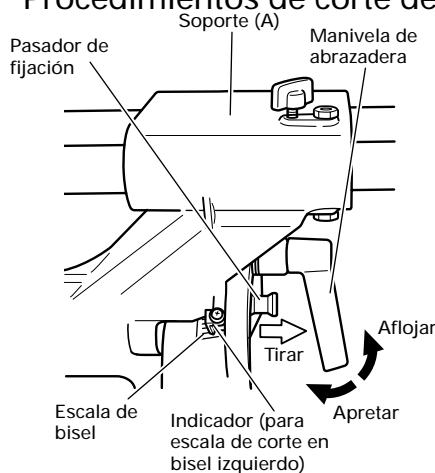


Fig. 29

- (1) Afloje la manivela de abrazadera e incline la hoja de sierra hacia la izquierda o la derecha. Cuando incline la cabeza del motor hacia la derecha tire del pasador de fijación hacia la parte posterior. La palanca de fijación adopta el sistema de enganche. Cuando el banco de trabajo entra en contacto con el cuerpo principal, tire de la palanca de fijación en la dirección de la flecha tal como se observa en la Fig. 29, y cambie la dirección de la palanca de fijación.
- (2) Ajuste el ángulo de inclinación hasta el valor deseado observando la escala de ángulos de bisel y el indicador, y después asegure la manivela de la abrazadera.
- (3) Siga los procedimientos indicados en los párrafos 4, 5 y 6 anteriores. Con respecto a las dimensiones máximas para biselado, consulte "ESPECIFICACIONES" de la página 64.

- ⚠ ADVERTENCIA:** Cuando la pieza de trabajo esté asegurada en la parte izquierda o derecha de la hoja de sierra, la parte de corte corto entrará en contacto con el resto de la parte derecha o izquierda de dicha hoja. Desconecte siempre la alimentación y deje que la hoja de sierra se pare completamente antes de levantar la empuñadura de la pieza de trabajo. Si levanta la empuñadura mientras la hoja de sierra está girando, la pieza de corte puede atascarse contra la hoja de sierra haciendo que se esparzan peligrosamente virutas. Cuando pare en la mitad la operación de corte en bisel, comience a cortar después de haber devuelto la cabeza del motor hasta la posición inicial. Si comenzase en el medio, sin haber tirado hacia atrás, la cubierta de seguridad podría quedar enganchada en la ranura de corte de la pieza de trabajo y entrar en contacto con la pieza de trabajo.

- ⚠ PRECAUCIÓN:** Para cortar una pieza de trabajo de 2-3/8" (60mm) de altura y con un bisel de 45° hacia la derecha, u otra de 1-3/8" (35mm) de altura y con un bisel de 45° hacia la izquierda ajuste la posición del límite inferior de la cabeza del motor de forma que quede a 5/64 a 1/8" (2 a 3mm) en la posición del límite inferior (consulte "2. Comprobación de la posición de límite inferior de la hoja de sierra" de la página 68).

8. Procedimiento de corte de ingletes

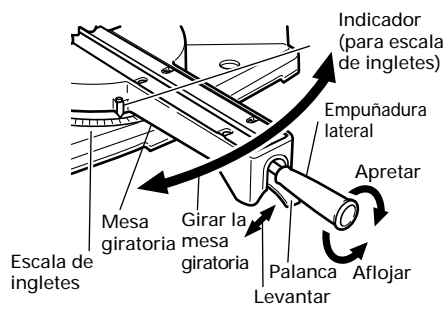


Fig. 30

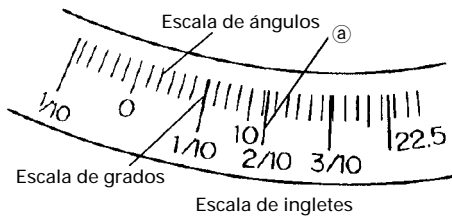


Fig. 31

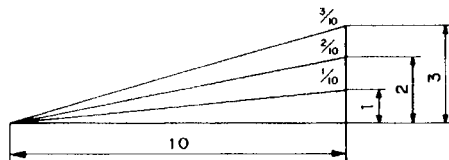


Fig. 32

- (1) Afloje la empuñadura lateral y tire hacia arriba de la palanca para los topes de ángulo. Luego, ajuste la mesa giratoria hasta que el indicador se alinee con el ajuste deseado de la escala de ángulos de inglete (Fig. 30).
- (2) Vuelva a apretar la empuñadura lateral para asegurar la mesa giratoria en la posición deseada.
- (3) La escala de ingletes (Fig. 31) indica tanto el ángulo de corte de la escala de ángulos como el gradiente en la escala de ángulos.
- (4) El gradiente, que es la proporción de la altura hasta la base de la sección triangular a extraerse, puede utilizarse para el ajuste de la escala de ingletes en vez del ángulo de corte, si así se desea (consulte la Fig. 31).
- (5) Por lo tanto, para cortar una pieza de trabajo con un grado de $2/10$, ajuste el indicador a la posición \textcircled{a} como se indica en la Fig. 31.

NOTA: * En las posiciones hacia la derecha y la izquierda existen paradas a 0° , centro, 15° , $22,5^\circ$, $31,6^\circ$, y 45° .

Compruebe que la escala de ingletes y la punta del indicador estén adecuadamente alineadas.

* La operación de la sierra con la escala de ingletes y el indicador desalineados, o con la empuñadura lateral sin apretar adecuadamente, resultará en un corte con mala precisión.

9. Procedimientos de corte compuesto

El corte compuesto podrá realizarse siguiendo las instrucciones de 7 y 8 anteriores. Con respecto a las dimensiones máximas del corte compuesto, consulte "ESPECIFICACIONES" de la página 64.

⚠ PRECAUCIÓN: Asegure siempre la pieza de trabajo con la mano derecha o izquierda y córtela deslizando la parte redonda de la sierra hacia atrás con la mano izquierda. Es muy peligroso girar la mesa giratoria hacia la izquierda durante el corte compuesto porque la hoja de sierra puede entrar en contacto con la mano que está asegurando la pieza de trabajo. En el caso de corte compuesto (ángulo + bisel) mediante bisel izquierdo, gire la escuadra de guía secundaria en el sentido contrario a las agujas del reloj, y realice la operación de corte.

10. Procedimientos de corte con moldura en vértice

En la Fig. 33 se muestran los tipos de moldura en vértice con ángulos de 38° y 45° . Con respecto a las molduras en vértice típicas, consulte la Fig. 34.

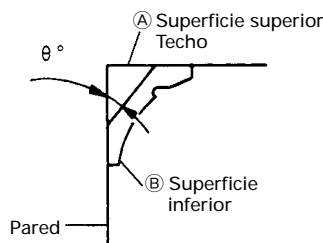


Fig. 33

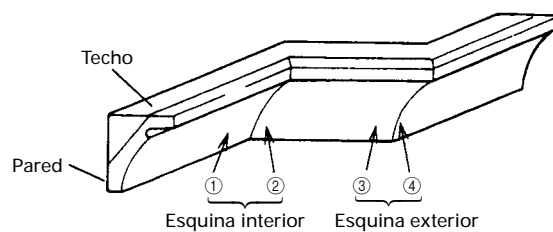


Fig. 34

En la tabla siguiente se muestran los ajustes de ángulo de ingletes y de corte en bisel para los dos tipos de moldura en el vértice.

NOTA: Por motivos de comodidad, existen posiciones con parada para los ajustes de corte de ingletes (izquierda y derecha de $31,6^\circ$).

Para el ajuste de corte de ingletes

Si la mesa giratoria ha sido ajustada a cualquiera de los ángulos descritos, mueva la empuñadura lateral de ajuste de la misma un poco hacia la derecha o hacia la izquierda para estabilizar la posición y para alinear apropiadamente la escala de ángulos de ingletes y la punta del indicador antes de iniciar la operación.

Para el ajuste del corte en bisel

Mueva la empuñadura de la sección de bisel hacia la izquierda y compruebe que la posición sea estable, y que la escala de ángulos de bisel y la punta del indicador estén adecuadamente alineadas. Después apriete la manivela de la abrazadera.

Tipo de moldura en vértice	Para procesar la moldura en vértices en las posiciones ① y ④ de la Fig. 34.		Para procesar la moldura en vértices en las posiciones ② y ③ de la Fig. 34.	
	Ajuste del ángulo de ingletes	Ajuste del ángulo de corte en bisel	Ajuste del ángulo de ingletes	Ajuste del ángulo de corte en bisel
Tipo de 45°	35,3° hacia la derecha (marca ↓)	30° hacia la izquierda (marca ↓)	35,3° hacia la izquierda (marca ↓)	30° hacia la izquierda (marca ↓)
Tipo de 38°	31,6° hacia la derecha (marca ↓)	33,9° hacia la izquierda (marca ↓)	31,6° hacia la izquierda (marca ↓)	33,9° hacia la izquierda (marca ↓)

Método de ajuste de inclinación izquierda de 30° y de 33,9°

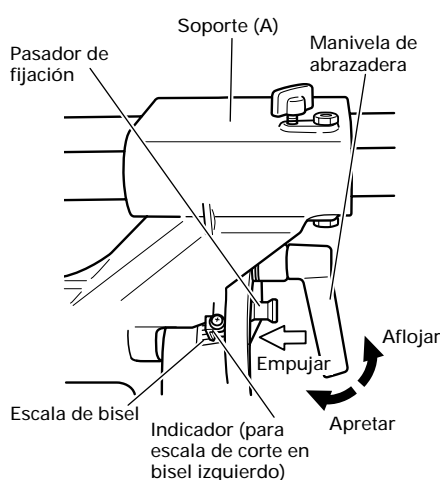


Fig. 35

- (1) Afloje la palanca de fijación e incline gradualmente hacia la izquierda mientras empuja el pasador de fijación dentro de la unidad principal. En este momento, el pasador de fijación penetra un paso y se fija en las ranuras de ajuste de inclinación izquierda de 30° y de 33,9°.
- (2) Con el pasador de fijación introducido en la ranura de la manera descrita anteriormente, el ajuste en la posición de inclinación izquierda de 30° será posible empujándolo hacia el lado derecho.
- (3) Asimismo, con el pasador de fijación introducido en la ranura de la manera descrita anteriormente, el ajuste en la posición de inclinación izquierda de 33,9° será posible empujándolo hacia el lado izquierdo.
- (4) Observe la lectura de la escala de corte en bisel y el indicador para volver a comprobar los ajustes y luego apriete la palanca de fijación.

(1) Ajuste para cortar molduras en vértice a los posiciones ① y ④ de la Fig. 34 (consulte la Fig. 36, incline la cabeza hacia la izquierda):

- ① Gire la mesa giratoria hacia la derecha y ajuste el ángulo de ingletes de la forma siguiente:
 - * Para molduras en vértice de tipo de 45°: 35,3° (marca ↓)
 - * Para molduras en vértice de tipo de 38°: 31,6° (marca ↓)
- ② Incline la cabeza hacia la izquierda y ajuste el ángulo de corte en bisel de la forma siguiente:
 - * Para molduras en vértice de tipo de 45°: 30° (marca ↓)
 - * Para molduras en vértice de tipo de 38°: 33,9° (marca ↓)
- ③ Coloque la moldura en el vértice de forma que la superficie superior (A de la Fig. 33) entre en contacto con la escuadra de guía como se indica en la Fig. 38.

(2) Ajuste para cortar molduras en vértice a los posiciones ② y ③ de la Fig. 34 (consulte la Fig. 37, incline la cabeza hacia la izquierda):

- ① Gire la mesa giratoria hacia la derecha y ajuste el ángulo de ingletes de la forma siguiente:
 - * Para molduras en vértice de tipo de 45°: 35,3° (marca ↓)
 - * Para molduras en vértice de tipo de 38°: 31,6° (marca ↓)
- ② Incline la cabeza hacia la izquierda y ajuste el ángulo de corte en bisel de la forma siguiente:
 - * Para molduras en vértice de tipo de 45°: 30° (marca ↓)
 - * Para molduras en vértice de tipo de 38°: 33,9° (marca ↓)
- ③ Coloque la moldura en el vértice de forma que la superficie superior (B de la Fig. 33) entre en contacto con la escuadra de guía como se indica en la Fig. 39.

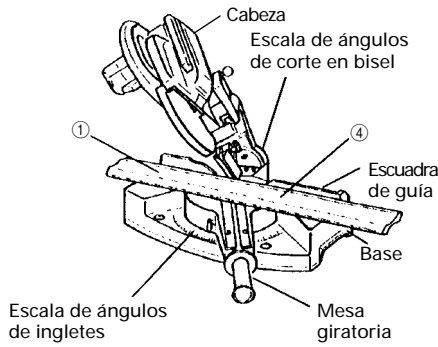


Fig. 36

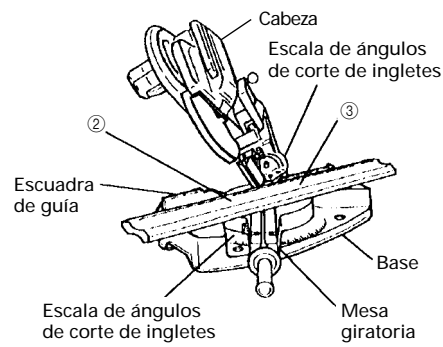


Fig. 37

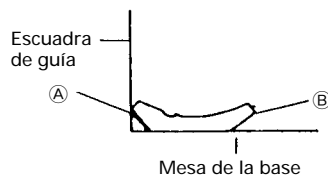


Fig. 38

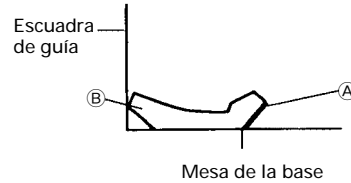


Fig. 39

(3) Ajuste para cortar molduras en vértice a los posiciones ① y ④ de la Fig. 34 (consulte la Fig. 40, incline la cabeza hacia la derecha):

- ① Gire la mesa giratoria hacia la derecha y ajuste el ángulo de ingletes de la forma siguiente:
 - * Para molduras en vértice de tipo de 45°: 35,3° (marca ↓)
 - * Para molduras en vértice de tipo de 38°: 31,6° (marca ↓)
- ② Incline la cabeza hacia la izquierda y ajuste el ángulo de corte en bisel de la forma siguiente:
 - * Para molduras en vértice de tipo de 45°: 30° (marca ↓)
 - * Para molduras en vértice de tipo de 38°: 33,9° (marca ↓)
- ③ Coloque la moldura en el vértice de forma que la superficie superior (B) de la Fig. 33) entre en contacto con la escuadra de guía como se indica en la Fig. 42.

(4) Ajuste para cortar molduras en vértice a los posiciones ② y ③ de la Fig. 34 (consulte la Fig. 41, incline la cabeza hacia la derecha):

- ① Gire la mesa giratoria hacia la derecha y ajuste el ángulo de ingletes de la forma siguiente:
 - * Para molduras en vértice de tipo de 45°: 35,3° (marca ↓)
 - * Para molduras en vértice de tipo de 38°: 31,6° (marca ↓)
- ② Incline la cabeza hacia la izquierda y ajuste el ángulo de corte en bisel de la forma siguiente:
 - * Para molduras en vértice de tipo de 45°: 30° (marca ↓)
 - * Para molduras en vértice de tipo de 38°: 33,9° (marca ↓)
- ③ Coloque la moldura en el vértice de forma que la superficie superior (A) de la Fig. 33) entre en contacto con la escuadra de guía como se indica en la Fig. 43.

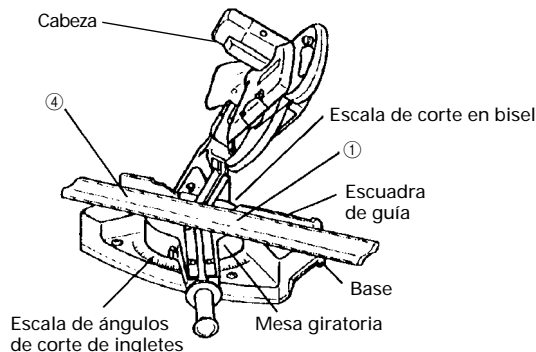


Fig. 40

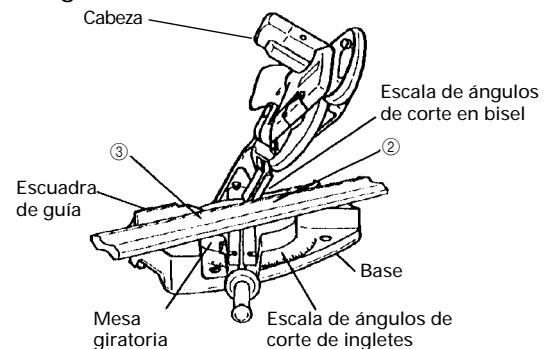


Fig. 41

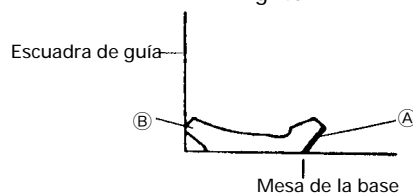


Fig. 42

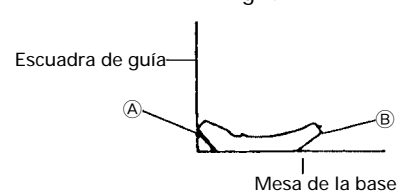


Fig. 43

Método de corte de moldura en vértice sin inclinar la hoja de sierra

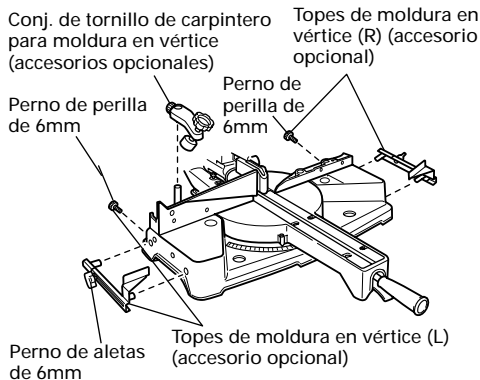


Fig. 44

- (1) Las topes de moldura en vértice (L) y (R) (accesorios opcionales) permiten facilitar los cortes de la moldura en vértice, sin inclinar la hoja de sierra. Instálelas en ambos lados de la base, tal como se muestra en la Fig. 44. Después de la inserción, apriete el perno de perilla de 6mm para asegurar los topes de moldura en vértice.

[Accesorios opcionales utilizados]

- Conj. de tornillo de carpintero para moldura en vértice (Incluye tope de moldura en vértice (L))
- Tope de moldura en vértice (L)
- Tope de moldura en vértice (R)

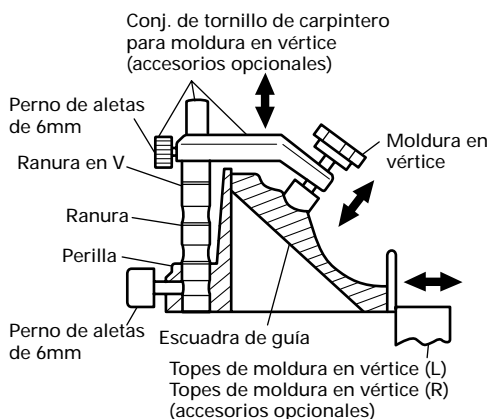


Fig. 45

- (2) El conj. de tornillo de carpintero para moldura en vértice (B) (accesorio opcional) puede montarse tanto en el tope-guía izquierdo (tope-guía (B)) como en el tope-guía derecho (tope-guía (A)). Es posible combinar con la inclinación de la moldura en vértice, pudiéndose presionar el conj. de tornillo de carpintero hacia abajo.

Pueden enlazarse con la inclinación de la moldura en vértice y se podrá presionar el tornillo de carpintero hacia abajo.

Luego gire la perilla superior, según se requiera para que la moldura en vértice quede fijada en su lugar. Para levantar o bajar el conjunto de tornillo de carpintero, afloje primero el perno de perilla de 6mm. Tal como se observa en la Fig. 45, el eje del tornillo de carpintero posee tres ranuras de fijación diseñadas para que entre la punta del perno de aletas de 6mm, con el fin de bloquear el soporte roscado en la posición deseada. Para asegurarse de que el perno de aletas de 6mm se encuentra correctamente alineado con la ranura de bloqueo deseada del eje del tornillo de carpintero, alinee simplemente la superficie superior de la escuadra de guía con cualquiera de las tres ranuras en V de la superficie del eje del tornillo de carpintero o con la superficie inferior del soporte roscado.

Por consiguiente, el conjunto del tornillo de carpintero podrá fijarse en cualquiera de las tres posiciones, para asegurar que la altura quede correctamente ajustada.

Después de ajustar la altura, apriete firmemente el perno de aletas de 6mm; luego gire la perilla superior, según se requiera, para que la moldura en vértice quede fijada firmemente en su lugar. (Consulte la Fig. 45)

⚠ ADVERTENCIA: Siempre asegure firmemente la moldura en vértice a la escuadra de guía; de lo contrario, la misma podría zafarse de la mesa y producir lesiones.

No efectúe el corte en bisel. El cuerpo principal o la hoja de sierra podría entrar en contacto con la escuadra de guía secundaria, y producir lesiones.

⚠ PRECAUCION: Siempre compruebe que la cabeza del motor (véase Fig.1) no haga contacto con el conj. de tornillo de carpintero para moldura en vértice (B) cuando lo baje para realizar el corte. Si existe el riesgo de que esto suceda, afloje el perno de perilla de 6mm y mueva el conj. de tornillo de carpintero para moldura en vértice (B) a una posición en que no haga contacto con la hoja de sierra.

Posicione la moldura en vértice con su BORDE EN CONTACTO CON LA PARED contra la escuadra de guía y su BORDE DE CONTACTO CON EL TECHO contra los topes de moldura en vértice, tal como se observa en la Fig. 46-b.

Ajuste los topes de moldura en vértice de acuerdo con el tamaño de la moldura en vértice.

Apriete el perno de aletas de 6mm para asegurar los topes de la moldura en vértice.

Con respecto a los ángulos de inglete, refiérase a la siguiente tabla.

	Posición en la Fig. 34	Angulo de inglete	Pieza terminada
Para la esquina interior	①	Derecho 45°	Proteja el lado derecho de la hoja
	②	Izquierdo 45°	Proteja el lado izquierdo de la hoja
Para la esquina exterior	③		Proteja el lado derecho de la hoja
	④	Derecho 45°	Proteja el lado izquierdo de la hoja

Utilice la escuadra de guía secundaria (A) (accesorios opcionales) para asegurar la moldura en vértice con mayor firmeza. (Consulte la Fig. 15)

11. Procedimientos de corte de ranuras

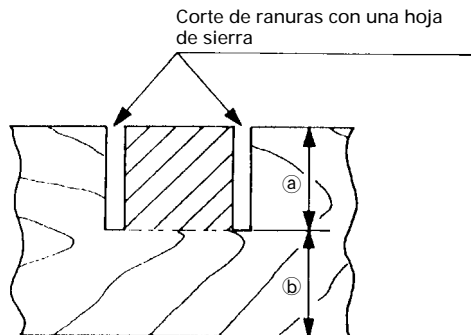


Fig. 46

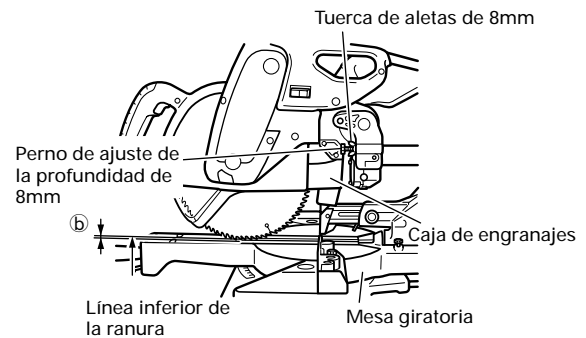


Fig. 47

Las ranuras podrán cortarse en la pieza de trabajo como se indica en la Fig. 46 regulando el perno de ajuste de profundidad de 8mm.

Procedimiento de ajuste de la profundidad de corte:

- (1) Afloje la tuerca de aletas de 8mm y gire el perno de ajuste de profundidad de 8mm con la mano.
- (2) Ajuste la profundidad de corte deseada regulando la distancia entre la hoja de sierra y la superficie de la base (consulte ⑥ de la Fig. 46).
- (3) La tuerca de aletas 8mm deberá quedar adecuadamente apretada después de haber finalizado el ajuste.

NOTA: Cuando corte una sola ranura en cualquier extremo de la pieza de trabajo, quite la parte innecesaria con un formón.

12. Corte fácil de materiales deformados, tales como vidrieras corredizas de aluminio

Los materiales tales como vidrieras corredizas de aluminio pueden deformarse fácilmente si se aprietan demasiado con el conjunto de tornillo de carpintero. Esto causará el corte ineficaz y posiblemente la sobrecarga del motor.

Cuando corte tales materiales, utilice un tablón de madera para proteger la pieza de trabajo como se muestra en la Fig. 48. Coloque la tabla de madera cerca de la sección de corte.

Cuando corte materiales de aluminio, recubra la hoja de sierra con aceite para corte (no consumible) a fin de lograr un corte uniforme y un acabado fino.

Asimismo, en el caso de una pieza de trabajo en forma de U, utilice un tablón de madera, tal como se observa en la Fig. 49 para asegurar estabilidad en la dirección lateral, y asegúrela cerca de la sección de corte de la pieza de trabajo. Luego realice el apriete utilizando tanto el conjunto de tornillo de carpintero y abrazadera disponible en las tiendas del ramo.

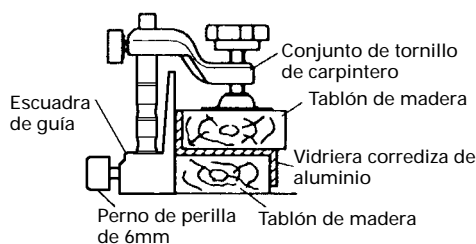


Fig. 48

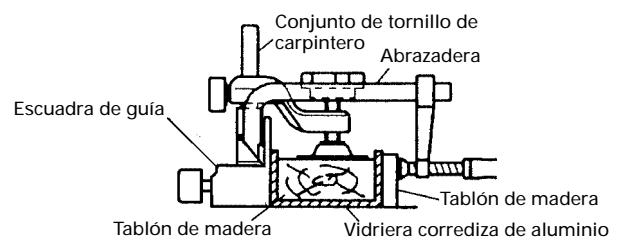


Fig. 49

13. Forma de utilizar la bolsa para el polvo (Accesorio estándar)

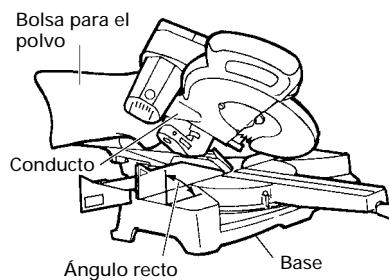


Fig. 50

- (1) Cuando la bolsa para el polvo esté llena de polvo, dicho polvo saldrá soplado de la bolsa para el polvo cuando gire la hoja de sierra. Compruebe periódicamente y vacíe la bolsa para el polvo antes de que se llene.
- (2) Durante el corte en bisel y compuesto, fije la bolsa para el polvo en ángulo recto con relación a la superficie de la base como se muestra en la Fig. 50.

⚠ PRECAUCIÓN: Vacíe frecuentemente la bolsa para el polvo para evitar que se atasquen el conducto y la cubierta de seguridad. Durante el corte en bisel se acumulará más polvo de lo normal.

MONTAJE Y DESMONTAJE DE LA HOJA DE SIERRA

⚠ ADVERTENCIA: * Para evitar accidentes o lesiones, suelte siempre el interruptor de disparo y desconecte el enchufe del cable de alimentación del tomacorriente antes de extraer o instalar la hoja de sierra. Si se realizara la tarea de corte sin haber apretado suficientemente el perno, éste se podría aflojar, la hoja se podría salir y la cubierta de seguridad se podría dañar, provocando lesiones. Compruebe asimismo que los pernos se encuentren correctamente apretados antes de desenchufar la clavija de alimentación de la toma de corriente.

* Si se instalaran o retiraran los pernos utilizando una herramienta que no sea la llave de cubo de 10mm (accesorio estándar), se producirá un apriete excesivo o inadecuado, lo cual podría provocar lesiones.

1. Montaje de la hoja de sierra (Fig. 51-a, Fig. 51-b y Fig. 51-c)

- (1) Utilice la llave de tubo de 10mm de accesorio para aflojar el perno de 6mm que sujeta la cubierta del husillo, y luego retire la cubierta del husillo.
- (2) Presione el bloqueador del huso y afloje el perno con la llave de cubo de 10mm (accesorio estándar). Como el perno está roscado hacia la izquierda, aflójelo girándolo hacia la derecha como se muestra en la Fig. 51-c.

NOTA: Si el bloqueador del huso no puede presionarse fácilmente para bloquear el huso, gire el perno con la llave de cubo de 10mm (accesorio estándar) presionándolo. El cubo de la hoja de sierra se bloqueará al presionar hacia adentro el bloqueador del mismo.

- (3) Quite el perno y la arandela (D).

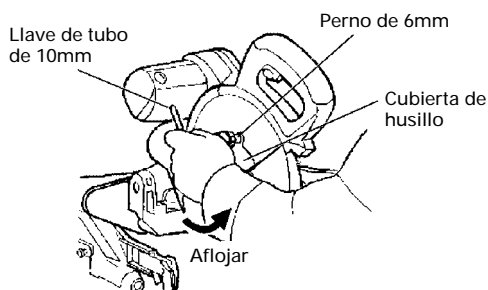


Fig. 51-a

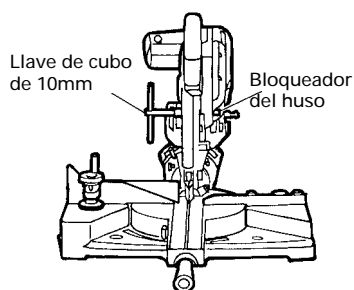


Fig. 51-b

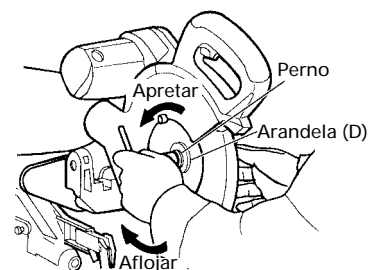


Fig. 51-c

- (4) Levante la cubierta de seguridad y monte la hoja de sierra.

⚠ ADVERTENCIA: Cuando monte la hoja de sierra, confirme que la marca del indicador de rotación de la misma y del sentido de giro de la caja de engranajes (consulte la Fig. 1) hayan quedado correctamente adaptadas.

- (5) Limpie cuidadosamente la arandela (D) y el perno, e instálelos en el huso de la hoja de sierra.
- (6) Presione el bloqueador del huso y apriete el perno girándolo hacia la izquierda con la llave de accesorio estándar (llave de cubo de 10mm), como se indica en la Fig. 51-c.

⚠ PRECAUCIÓN:

- * Detrás de la caja de engranajes está instalada una guía para el polvo. Cuando quite o instale la hoja de sierra, no entre en contacto con la guía para polvo. Si entrase en contacto, podría romper las puntas de la hoja de sierra.
- * Después de haber instalado o extraído la hoja de sierra, confirme que el bloqueador del huso haya vuelto a la posición de retracción.
- * Apriete el perno de forma que no se afloje durante la operación. Confirme que el perno haya quedado adecuadamente apretado antes de poner en funcionamiento la herramienta.

2. Desmontaje de la hoja de sierra

Desmonte la hoja de sierra invirtiendo el proceso de montaje descrito en el párrafo 1 anterior. La hoja de sierra podrá extraerse fácilmente después de levantar la cubierta de seguridad.

⚠ PRECAUCIÓN: No intente instalar nunca hojas de sierra de diámetro superior a 10" (255mm). Instale siempre las hojas de sierra de 10" (255mm) de diámetro o menos.

MANTENIMIENTO E INSPECCIÓN

⚠ ADVERTENCIA: Para evitar accidentes o lesiones, confirme que el interruptor de disparo esté en OFF y de que el enchufe del cable de alimentación esté desconectado del tomacorriente antes de realizar cualquier operación de mantenimiento o de inspección de esta herramienta.

1. Inspección de la hoja de sierra

Reemplace la hoja de sierra inmediatamente después de haber notado cualquier signo de deterioro o daño.

Una hoja de sierra dañada puede causar lesiones, y otra desgastada puede causar la operación inefectiva o la posible sobrecarga del motor.

⚠ PRECAUCIÓN: No utilice nunca una hoja de sierra mellada. Cuando la hoja de sierra esté mellada, su resistencia a la presión de la mano aplicada por la empuñadura de la herramienta tiende a aumentar, haciendo que la herramienta eléctrica funcione de forma insegura.

2. Ajuste del tubo deslizante flojo

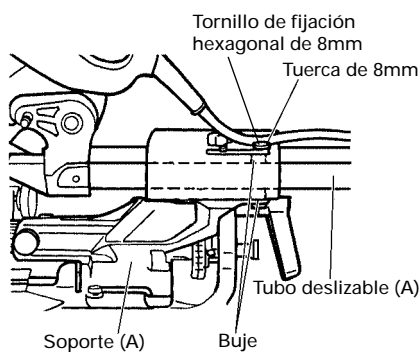


Fig. 52

Después de haber utilizado la herramienta durante mucho tiempo, el tubo deslizante (A) y el buje pueden aflojarse debido a la vibración. No utilice nunca la herramienta si tiene cualquier componente flojo a fin de evitar lesiones.

- (1) Afloje la tuerca de 8mm y apriete los dos tornillos de fijación hexagonales de 8mm hasta que la herramienta funcione suavemente, sin flojedad.
- (2) Apriete adecuadamente la tuerca de 8mm después de haber finalizado este ajuste.

3. Inspección de las escobillas (Figs. 53 y 54)

Las escobillas del motor son piezas fungibles.

Si las escobillas se desgastan excesivamente, es posible que el motor tenga problemas.

Por lo tanto, inspeccione periódicamente las escobillas y reemplácelas cuando se hayan desgastado hasta la línea límite mostrada en la Fig. 53.

Además, mantenga las escobillas limpias de forma que se deslicen suavemente dentro de los portaescobillas. Las escobillas podrán extraerse fácilmente después de haber quitado las tapas de los portaescobillas (consulte la Fig. 54) con un destornillador de punta plana.

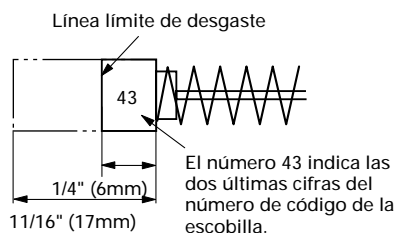


Fig. 53

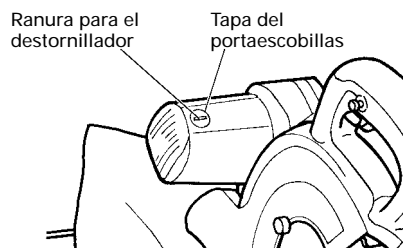


Fig. 54

4. Cómo tratar el motor (consulte la Fig. 1)

El devanado del motor es el "corazón" mismo de esta herramienta. Preste suma atención para asegurarse de que el devanado no se dañe y/o se humedezca con aceite o agua.

NOTA: La acumulación de polvo u otras impurezas en el interior del motor puede provocar fallos de funcionamiento. Después de usar el motor alrededor de unas 50 horas, efectúe el funcionamiento sin carga, y sople aire seco desde el orificio provisto en la parte trasera del motor. Esta acción es sumamente eficaz para descargar el polvo y similar.

5. Inspección de los tornillos

Inspeccione regularmente cada componente de la herramienta eléctrica para ver si están flojos. Reapriete los tornillos y cualquier pieza floja.

⚠ ADVERTENCIA: Para evitar lesiones, no utilice nunca la herramienta eléctrica si tiene alguna pieza floja.

6. Inspección del funcionamiento de la cubierta de seguridad

Antes de utilizar la herramienta, pruebe la cubierta de seguridad (consulte la Fig. 8) para asegurarse de que esté en buenas condiciones, y de que se mueva uniformemente.

7. Almacenamiento

Después de haber utilizado la herramienta eléctrica, compruebe si:

- (1) El interruptor de disparo está en la posición OFF,
- (2) El enchufe del cable de alimentación está desconectado del tomacorriente de CA,
- (3) El botón de desbloqueo está extraído y guardado en un lugar seguro.
Cuando no vaya a utilizar la herramienta, guárdela en un lugar seco fuera del alcance de niños.

8. Reemplazo de la correa en V de polivinilo

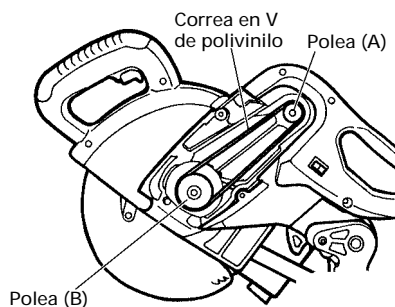


Fig. 55

La potencia del motor se transmite a la hoja de sierra mediante una polea en V de polivinilo. Cuando la correa en V de polivinilo se rompa o se dañe, quítele la cubierta aflojando los cuatro tornillos de 5mm (consulte la Fig. 2) y rempácela por otra nueva.

Cuando coloque la correa en las poleas, primero conecte 2 ó 3 dientes de la correa en V de polivinilo a las ranuras de la polea (A) y de la polea (B). Luego gire la polea (A) y la polea (B) y conecte los 10 dientes de la correa en las poleas.

9. Lubricación

Lubrique las superficies deslizables siguientes una vez al mes a fin de mantener la herramienta eléctrica en buenas condiciones de operación durante mucho tiempo (consulte la Fig. 1 y la Fig. 2). Se recomienda la utilización de aceite para máquinas.

Puntos de suministro de aceite:

- * Parte giratoria de la bisagra
- * Parte giratoria del conjunto del tornillo de carpintero
- * Parte rotativa del soporte (A)

10. Limpieza

Limpie periódicamente las virutas y demás materiales de la superficie de la herramienta eléctrica con un paño humedecido en una solución jabonosa. Para evitar el mal funcionamiento del motor, protéjalo contra el aceite y el agua.

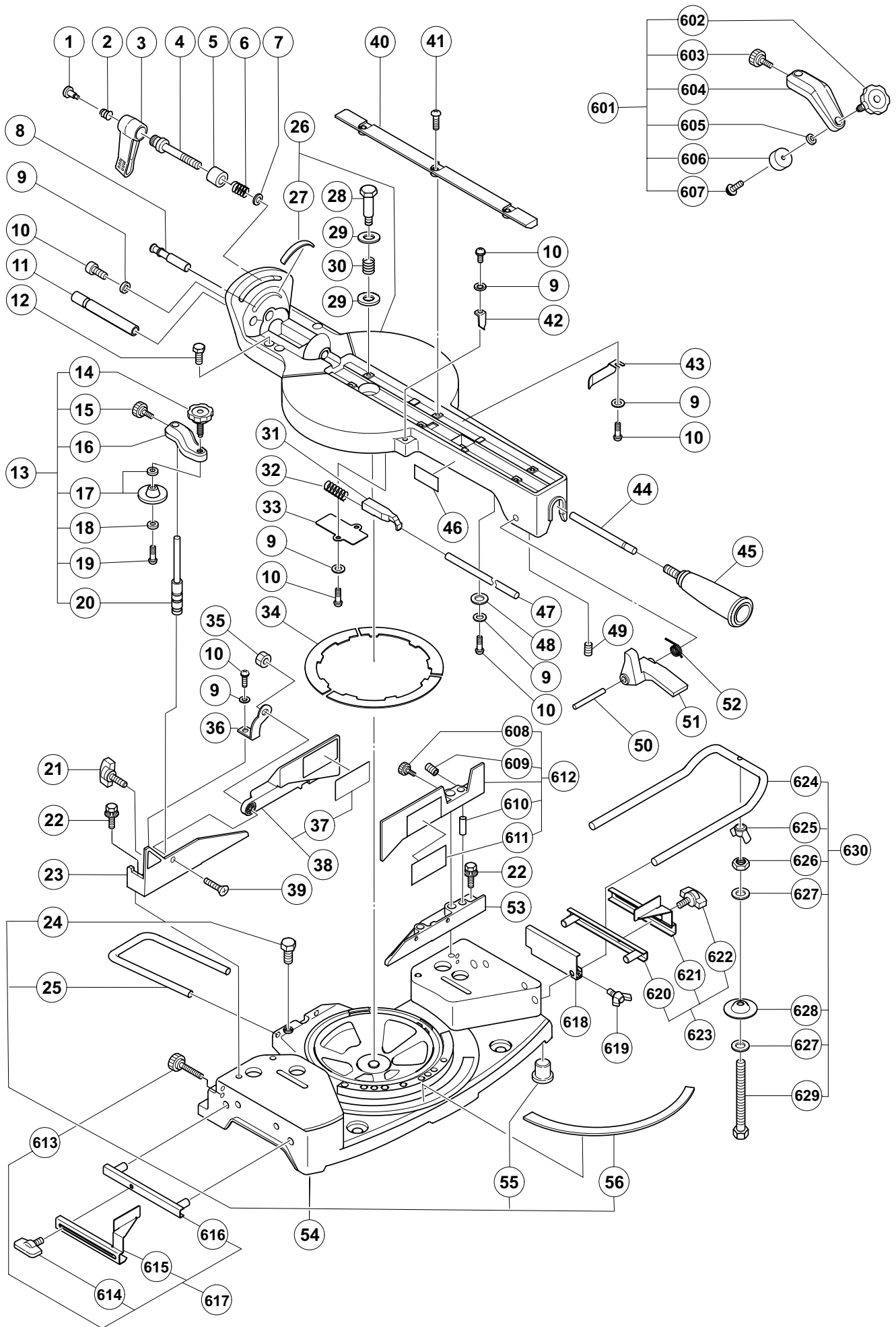
(Sólo modelo C10FSH)

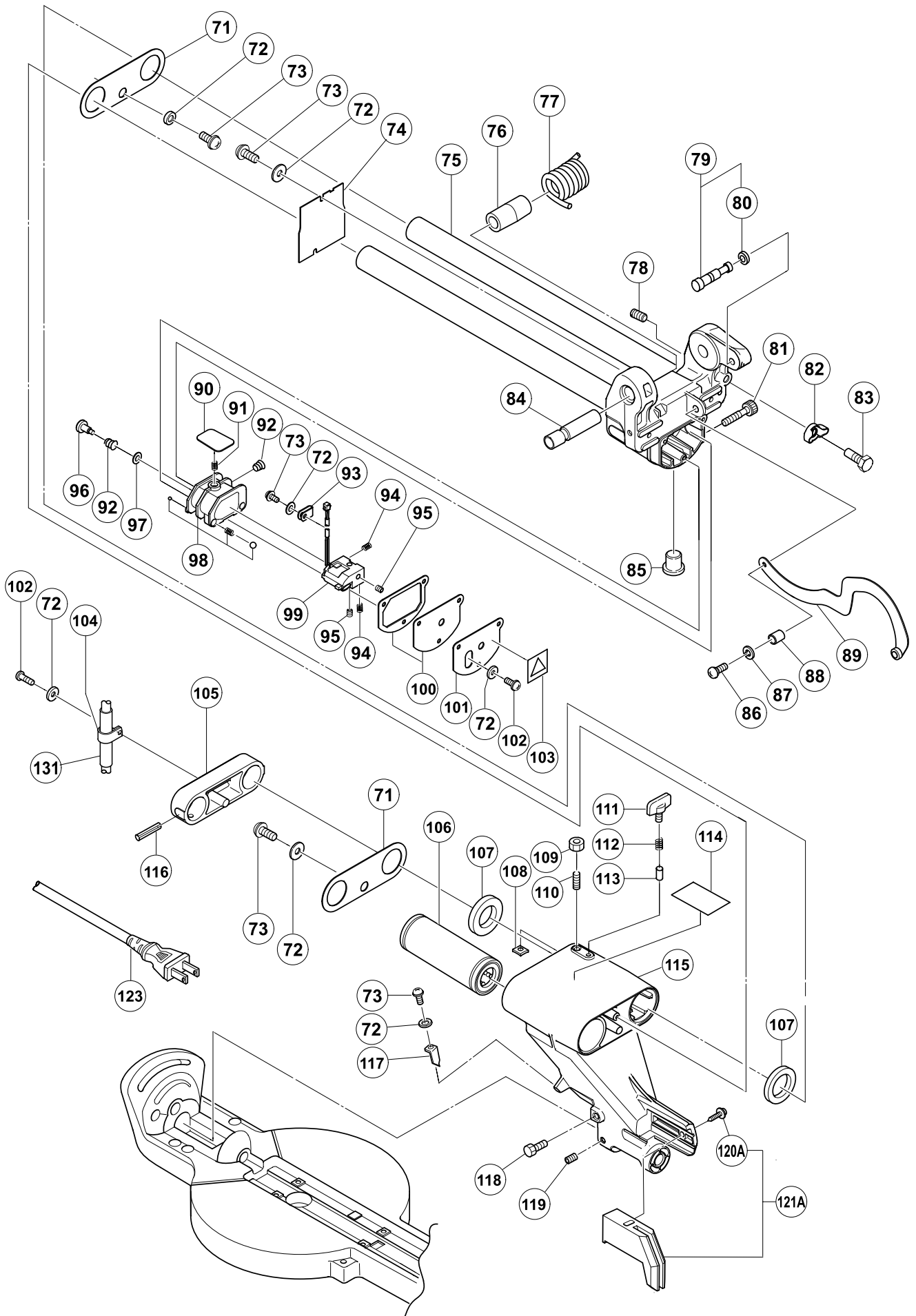
Si la línea de láser se volviera invisible debido a astillas u otras impurezas adheridas en la ventana de la sección de emisión de luz del marcador láser, limpie la ventana con un paño suave o humedecido con agua jabonosa, etc.

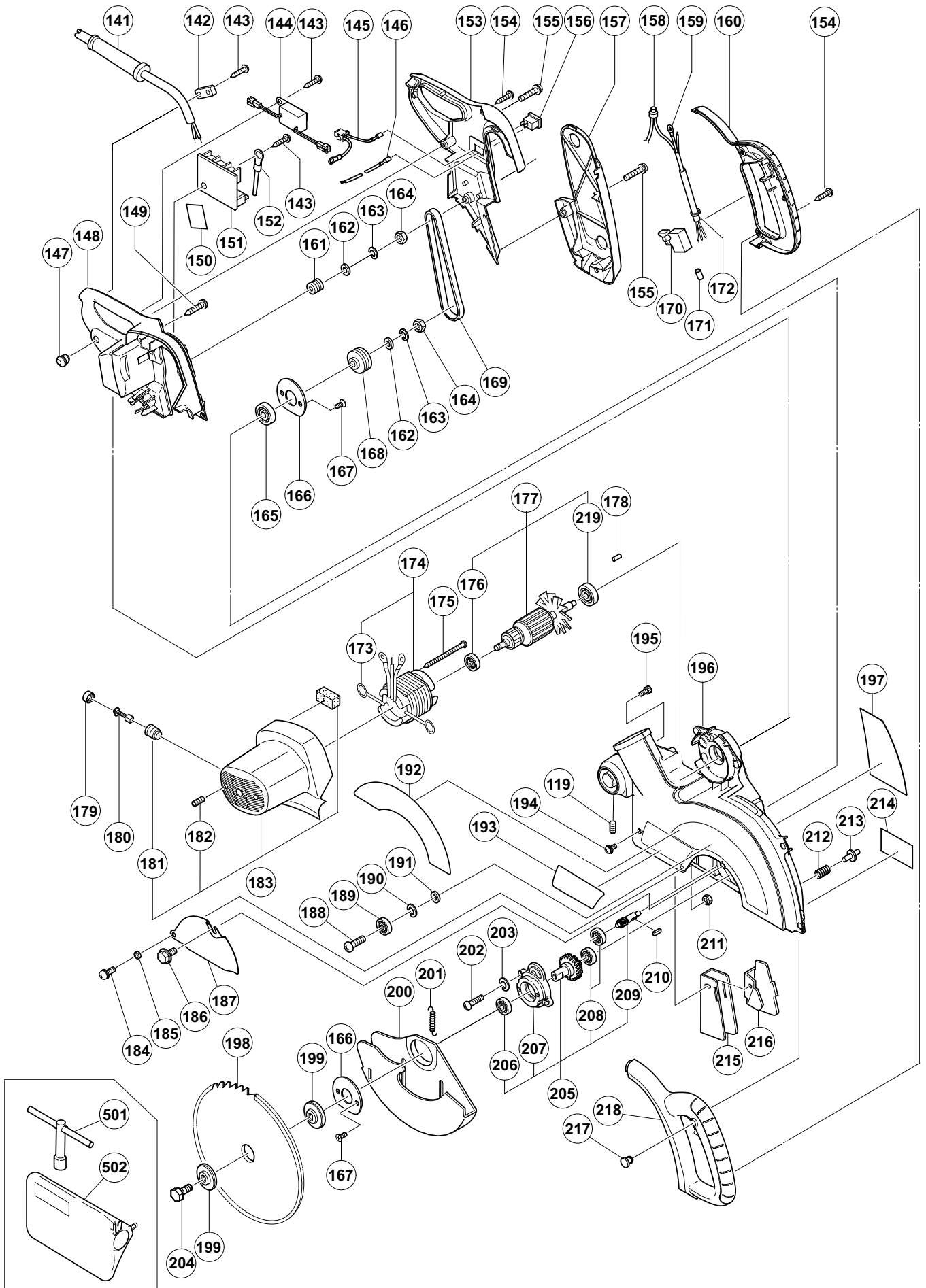
SERVICIO Y REPARACIONES

Todas las herramientas eléctricas de calidad necesitan el servicio o el reemplazo de piezas debido al desgaste por el uso. para asegurarse de que solamente se utilicen piezas de reemplazo autorizadas y el sistema de doble aislamiento, todos los trabajos de servicio (excepto el mantenimiento rutinario) deberán realizarse SOLAMENTE EN UN CENTRO DE REPARACIONES DE HERRAMIENTAS ELÉCTRICAS AUTORIZADO POR HITACHI.

NOTA: Las especificaciones están sujetas a cambio sin previo aviso sin ninguna obligación por parte de HITACHI.







ITEM NO.	PART NAME
1	CLUTCH SCREW
2	CLUTCH SPRING
3	CLAMP LEVER
4	MOLT (LEFT HAND) M10
5	SLEEVE
6	METAL SPRING (A)
7	SPECIAL WASHER
8	SET PIN (A)
9	BOLT WASHER M4
10	MACHINE SCREW M4 × 8
11	HINGE SHAFT (A)
12	NYLOCK BOLT M8 × 25
13	WISE ASS'Y
14	KNOB BOLT M10
15	KNOB BOLT M6 × 11
16	SCREW HOLDER
17	WISE PLATE SET
18	WASHER
19	MACHINE SCREW (W/WASHERS) M5 × 12
20	WISE SHAFT
21	WING BOLT M6 × 17
22	BOLT (W/WASHERS) M8 × 35
23	FENCE (B)
24	BOLT M6 × 10
25	HOLDER
26	TURN TABLE
27	SCALE (B)
28	SHAFT (B)
29	BOLT WASHER M12
30	SPRING
31	STOPPER (A)
32	SPRING (E)
33	PIN COVER
34	LINER
35	NYLON NUT M6
36	PLATE
37	WARNING LABEL (H)
38	SUB FENCE (B)
39	FLAT HD. SCREW M6 × 25
40	TABLE INSERT
41	MACHINE SCREW M6 × 20
42	INDICATOR
43	SPACER (A)
44	SHAFT (A)
45	SIDE HANDLE
46	CAUTION LABEL (K)
47	SHAFT (C)
48	THRUST WASHER
49	SEAL LOCK HEX. SOCKET SET SCREW M6 × 6
50	LEVER SHAFT
51	LEVER
52	SPRING (D)
53	FENCE (A)
54	BASE ASS'Y
55	BASE RUBBER
56	SCALE (A)
71	PACKING COVER
72	BOLT WASHER M4

ITEM NO.	PART NAME
73	MACHINE SCREW M4 × 8
74	COVER
75	HINGE (A)
76	SLEEVE
77	SPRING
78	HEX. SOCKET SET SCREW M8 × 10
79	STOPPER PIN ASS'Y
80	O-RING (P-6)
81	ADJUSTER
82	WING NUT M8
83	BOLT M8 × 50
84	HINGE SHAFT (A)
85	BASE RUBBER
86	MACHINE SCREW M5 × 12
87	SPRING WASHER M5
88	SPACER
89	LINK
90	PLATE (B)
91	SPRING
92	CLUTCH SPRING
93	NYLON CLIP
94	SPRING
95	SEAL LOCK HEX. SOCKET SET SCREW M5 × 6
96	CLUTCH SCREW
97	ADJUSTING WASHER (B) T0.5
98	HOLDER (B)
99	LASER MARKER
100	COVER (A)
101	PLATE (A)
102	MACHINE SCREW M4 × 12
103	CAUTION LABEL (J)
104	NYLON CLIP
105	SUPPORT
106	BALL BUSHING
107	FELT
108	BUSHING
109	LOCK NUT M8
110	HEX. SOCKET SET SCREW M8 × 16
111	WING BOLT M6 × 17
112	LOCK SPRING
113	CLAMP PIECE (B)
114	CAUTION LABEL (A)
115	HOLDER (A)
116	ROLL PIN D6 × 40
117	INDICATOR
118	NYLOCK BOLT M8 × 25
119	SEAR LOCK HEX. SOKET SET SCREW M6 × 10
120A	TAPPING SCREW (W/FLANGE) D5 × 25
121A	GUARD
123	CORD
141	CORD ARMOR D10.1
142	CORD CLIP
143	TAPPING SCREW (W/FLANGE)
144	SWITCHING POWER SUPPLY
145	CONNECTOR (B)
146	INTERNAL WIRE
147	CORD BUSH

ITEM NO.	PART NAME
148	HANDLE (L)
149	TAPPING SCREW (W/FLANGE) D5 × 25
150	SHEET
151	CONTROLLER
152	TERMINAL
153	HANDLE (R)
154	TAPPING SCREW (W/WASHERS) M5 × 25
155	MACHINE SCREW (W/WASHERS) M5 × 25
156	SWITCH (W/COVER)
157	PULLEY COVER
158	CONNECTOR
159	TERMINAL
160	SWITCH HANDLE (R)
161	PULLEY (A)
162	WASHER M8
163	SUPER LOCK WASHER
164	NUT M8
165	BALL BEARING 6201VVCMP2L
166	COVER
167	FLAT HD. SCREW M4 × 10
168	PULLEY (B)
169	BELT (170H10)
170	SWITCH
171	TUBE (D)
172	CORD (A)
173	BRUSH TERMINAL
174	STATOR ASS'Y 120V
175	HEX. HD. TAPPING SCREW D5 × 55
176	BALL BEARING
177	ARMATURE ASS'Y 120V
178	BEARING LOCK
179	BRUSH CAP
180	CARBON BRUSH
181	BRUSH HOLDER
182	HEX. SOCKET SET SCREW M5 × 8
183	HOUSING ASS'Y
184	MACHINE SCREW (W/WASHERS) M5 × 12
185	SPACER
186	BOLT (W/WASHERS) M6 × 12
187	SPINDLE COVER
188	MACHINE SCREW M6 × 20
189	BALL BEARING 606ZZC2PS2L
190	SPRING WASHER M6
191	WASHER M6
193	HITACHI LABEL
193	WARNING LABEL (G)
194	MACHINE SCREW (W/WASHERS) M4 × 10
195	SEAL LOCK HEX. SOCKET HD. BOLT M5 × 10
196	GEAR CASE
197	WARNING LABEL (M)
198	TCT SAW BLADE 225MM-D15.88 HOLE-NT40
199	WASHER (D)
200	SAFETY COVER
201	RETURN SPRING
202	MACHINE SCREW M5 × 20
203	SPRING WASHER M5

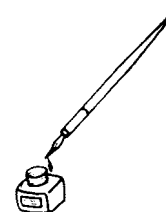
ITEM NO.	PART NAME
204	BOLT (LEFT HAND) W/WASHER M7 × 17.5
205	SPINDLE ASS'Y
206	BALL BEARING 6003DDCMPS2S
207	BEARING HOLDER
208	BALL BEARING 608VVC2PS2L
209	PINION
210	FEATHER KEY 4 × 4 × 12
211	NUT M5
212	LOCK SPRING
213	STOPPER PIN ASS'Y
214	NAME PLATE
215	DUST GUIDE
216	GUIDE HOLDER
217	LOCK-OFF BUTTON
218	SWITCH HANDLE (L)
219	BALL BEARING

STANDARD ACCESSORIES

501	BOX WRENCH
502	DUST BAG

OPTIONAL ACCESSORIES

601	CROWN MOLDING VISE ASS'Y
602	KNOBE BOLT
603	KNOB BOLT M6 × 11
604	SCREW HOLDER (B)
605	WASHER
606	BASE RUBBER
607	MACHINE SCREW (W/WASHERS) M4 × 10
608	KNOB BOLT M6 × 32
609	SEAL LOCK HEX. SOCKET SET SCREW M6 × 6
610	PIN
611	WARNING LABEL (L)
612	SUB FENCE (A)
613	KNOB BOLT M6 × 32
614	WING BOLT M6 × 15
615	CROWN MOLDING STOPPER (L)
616	CROWN MOLDING STOPPER HOLDER
617	CROWN MOLDING STOPPER (L) ASS'Y
618	STOPPER
619	WING BOLT M6 × 20
620	CROWN MOLDING STOPPER HOLDER
621	CROWN MOLDING STOPPER (R)
622	WING BOLT M6 × 15
623	CROWN MOLDING STOPPER (R) ASS'Y
624	HOLDER
625	WING NUT M6
626	NUT M6
627	WASHER (H)
628	VISE PLATE
629	HIGH TENSION BOLT D6 × 65
630	GUIDE SET
631	TCT SAW BLADE 255MM-D15.88 HOLE-NT72



WARNING:

Some dust created by power sanding, sawing, grinding, drilling, and other construction activities contains chemicals known to the State of California to cause cancer, birth defects or other reproductive harm. Some examples of these chemicals are:

- Lead from lead-based paints,
- Crystalline silica from bricks and cement and other masonry products, and
- Arsenic and chromium from chemically-treated lumber.

Your risk from these exposures varies, depending on how often you do this type of work. To reduce your exposure to these chemicals: work in a well ventilated area, and work with approved safety equipment, such as those dust masks that are specially designed to filter out microscopic particles.

AVERTISSEMENT:

La poussière résultant d'un ponçage, d'un sciage, d'un meulage, d'un perçage ou de toute autre activité de construction renferme des produits chimiques qui sont connus par l'Etat de Californie pour causer des cancers, des défauts de naissance et autres anomalies de reproduction. Nous énumérons ci-dessus certains de ces produits chimiques:

- Plomb des peintures à base de plomb,
- Silice cristalline des briques et du ciment et autres matériaux de maçonnerie, et
- Arsenic et chrome du bois d'oeuvre traité chimiquement.

Le risque d'exposition à ces substances varie en fonction de la fréquence d'exécution de ce genre de travail. Pour réduire l'exposition à ces produits chimiques, travailler dans un lieu bien ventilé, et porter un équipement de protection agréé, par exemple un masque anti-poussière spécialement conçu pour filter les particules microscopiques.

ADVERTENCIA:

Algunos polvos creados por el lijado mecánico, el aserrado, el esmerilado, el taladrado y otras actividades de construcción contienen sustancias químicas conocidas por le Estado de California como agentes cancerígenos, defectos congénitos y otros daños reproductores. Algunos ejemplos de estas sustancias químicas son:

- El plomo de las pinturas a base de plomo,
- El sílice cristalino de los ladrillos y cemento y otros productos de mampostería, y
- El arsénico y el cromo de la madera tratada químicamente.

El riesgo resultante de la exposición varía según la frecuencia con que se realiza este tipo de trabajo. Para reducir la exposición a esta sustancias químicas: trabaje en un lugar bien ventilado y realice el trabajo utilizando el equipamiento apropiado, tal como las máscaras para el polvo especialmente diseñados para eliminar las partículas minúsculas.

Issued by

 **Hitachi Koki Co., Ltd.**

Shinagawa Intercity Tower A,
15-1, Konan 2-chome, Minato-ku, Tokyo 108-6020, Japan

Distributed by

 **Hitachi Koki U.S.A., Ltd.**

3950 Steve Reynolds Blvd.
Norcross, GA 30093

 **Hitachi Koki Canada Co.**

6395 Kestrel Road
Mississauga ON L5T 1Z5