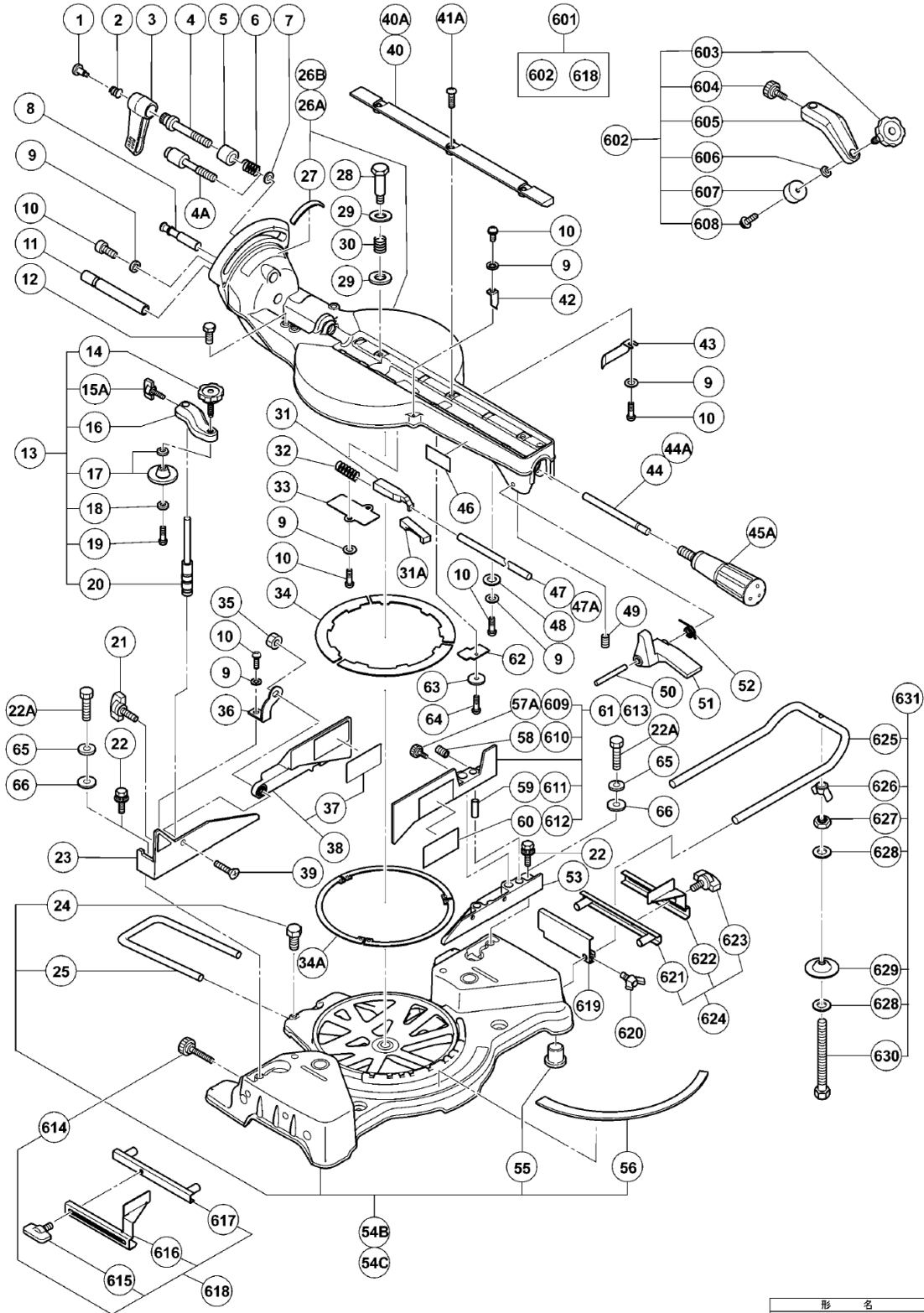
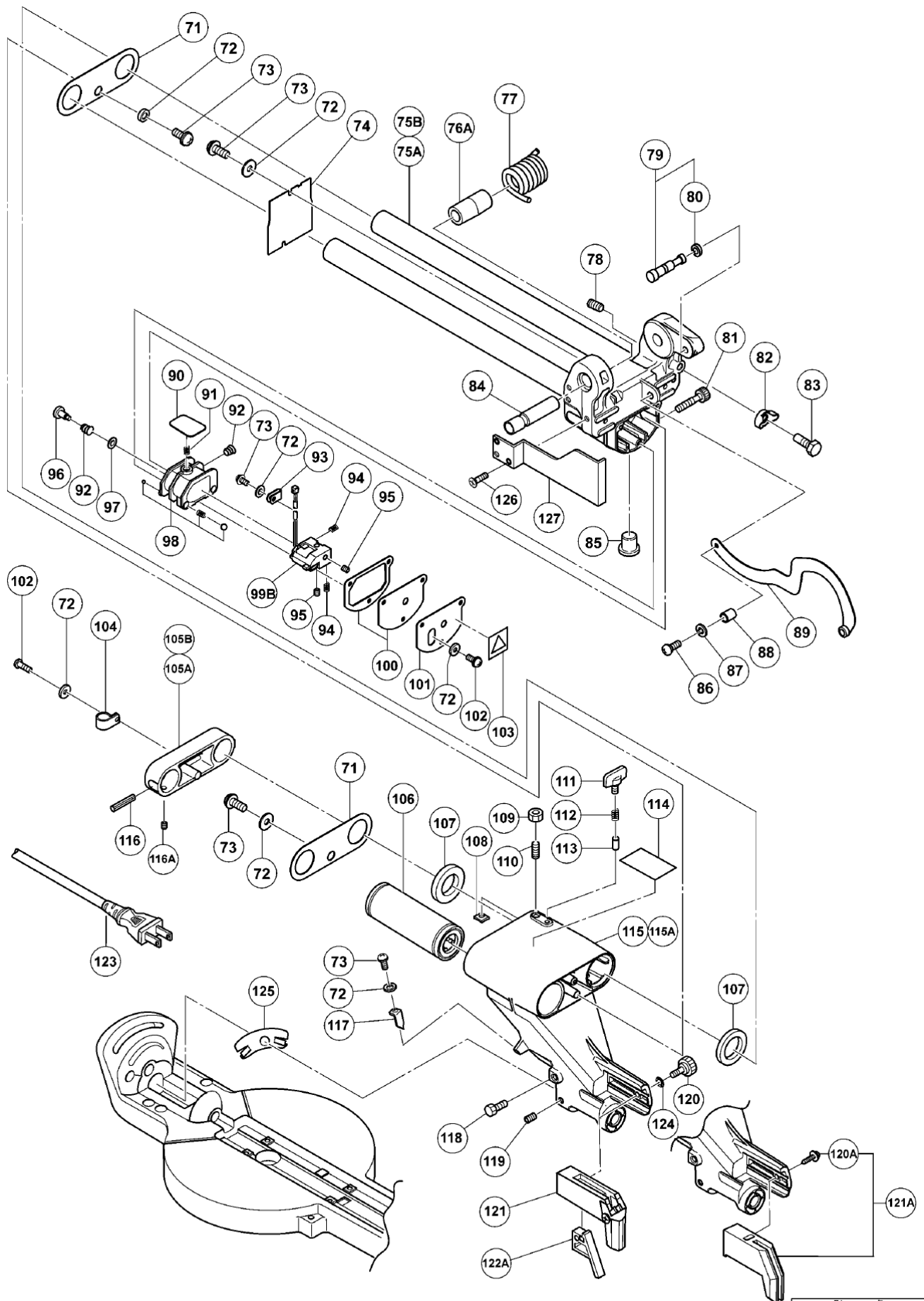


ELECTRIC TOOL PARTS LIST

■ SLIDE COMPOUND SAW
Model C10FSH

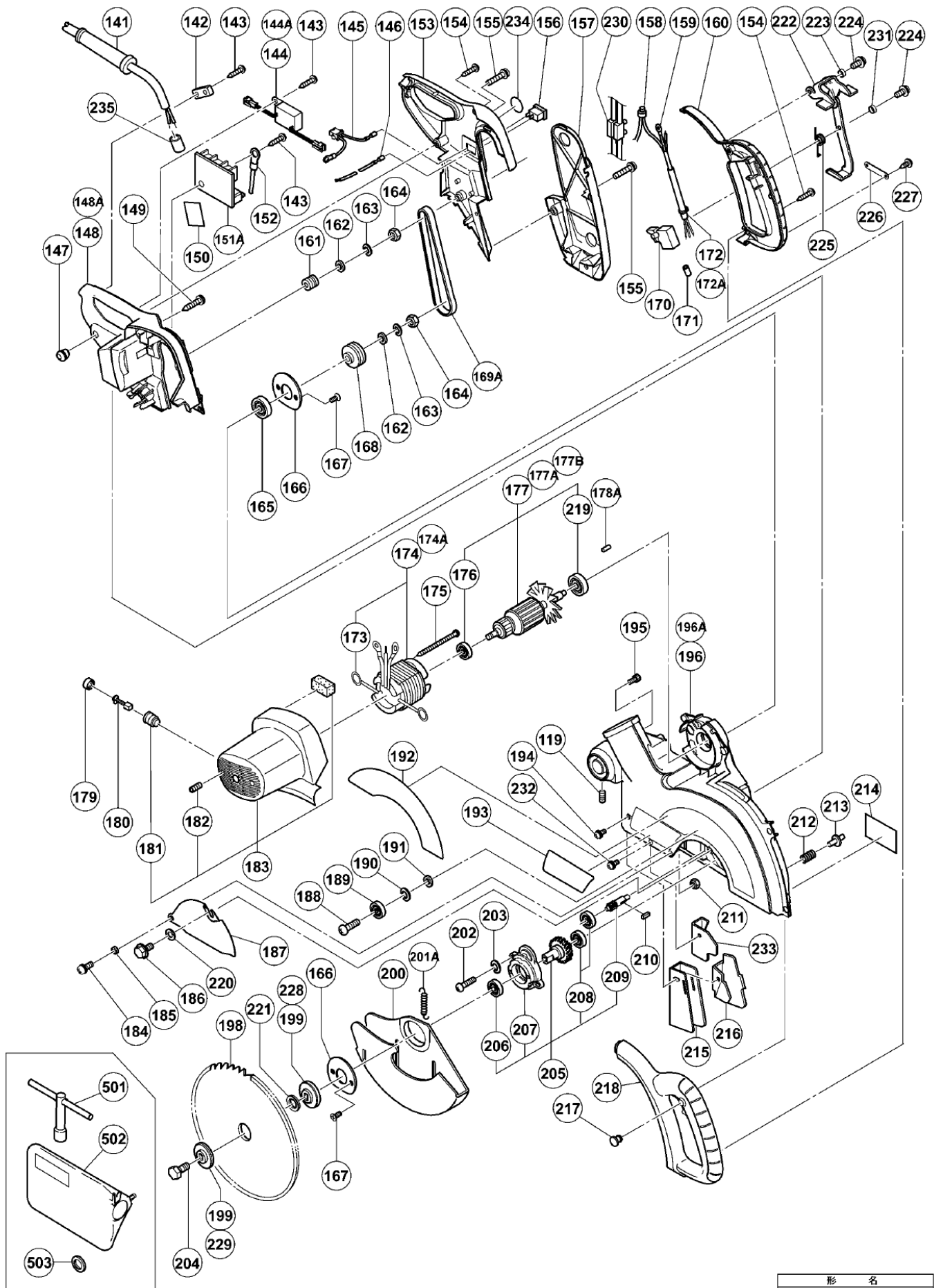
2012 • 11 • 29
(E3a)





Rev.8

形名
C10FSH(2/3)



Rev.9

形名
C10FSH(3/3)

PARTS

C10FSH

ITEM NO.	CODE NO.	DESCRIPTION	NO. USED	REMARKS
1	305180	CLUTCH SCREW	1	
2	305179	CLUTCH SPRING	1	
3	312488	CLAMP LEVER	1	
4	307725	BOLT (LEFT HAND) M10	1	(TILL 08.2010)
4A	329409	BOLT (LEFT HAND) D10	1	(SINCE 09.2010)
5	315195	SLEEVE	1	
6	305190	METAL SPRING (A)	1	EXCEPT FOR USA
7	965077	SPECIAL WASHER	1	
8	321330	SET PIN (A)	1	
9	949429	BOLT WASHER M4 (10 PCS.)	8	
10	949215	MACHINE SCREW M4X8 (10 PCS.)	8	
11	320141	HINGE SHAFT (A)	1	
12	303409	NYLOCK BOLT M8X25	2	
13	321370	WISE ASS'Y	1	INCLUD.14-20
14	308396	KNOB BOLT M10	1	
15A	307947	WING BOLT M6X12	1	
16		SCREW HOLDER	1	
17	319974	WISE PLATE SET	1	
18	996722	WASHER	1	
19	996247	MACHINE SCREW (W/WASHERS) M5X12 (BLACK)	1	
20	321371	WISE SHAFT	1	
21	302459	WING BOLT M6X17	1	
22	307221	BOLT (W/WASHERS) M8X35 (BLACK)	4	(TILL 08.2010)
22A	949678	BOLT M8X35 (10 PCS.)	4	(SINCE 09.2010)
23	321346	FENCE (B)	1	
24	949610	BOLT M6X10 (10 PCS.)	1	
25	998844	HOLDER	1	
26A	330768	TABLE ASS'Y	1	INCLUD.9.10.27-34A.41A.43.44A.47A-52. 54B.62-64 EXCEPT FOR USA.CAN (TILL 01.2012 FOR USA.CAN)
*26B	334463	TABLE ASS'Y	1	INCLUD.9.10.27-34A.40A.41A.43.44A.47A-52. 54C.62-64 SINCE 02.2012 FOR USA.CAN
27	321343	SCALE (B)	1	
28	312480	SHAFT (B)	1	
29	949437	BOLT WASHER M12 (10 PCS.)	2	
30	312481	SPRING	1	
31	321335	STOPPER (A)	1	(TILL 08.2008)
31A	322280	STOPPER (A)	1	(SINCE 09.2008)
32	321417	SPRING (E)	1	
33	321336	PIN COVER	1	
34	998811	LINER	3	(TILL 08.2008)
34A	324400	LINER	3	(SINCE 09.2008)
35	311144	NYLON NUT M6	1	
36	321331	PLATE	1	
37	321386	WARNING LABEL (H)	1	
38	321385	SUB FENCE (B) ASS'Y	1	INCLUD.37
39	949342	FLAT HD. SCREW M6X25 (10 PCS.)	1	
40	319549	TABLE INSERT	2	EXCEPT FOR USA.CAN (TILL 01.2012 FOR USA.CAN)
40A	329421	TABLE INSERT	2	SINCE 02.2012 FOR USA.CAN
41A	949256	MACHINE SCREW M6X16 (10 PCS.)	6	
42	321329	INDICATOR	1	
43	321342	SPACER (A)	1	
44	321341	SHAFT (A)	1	(TILL 08.2008)
44A	329416	SHAFT (A)	1	(SINCE 09.2008)
45A	322283	SIDE HANDLE	1	
46		CAUTION LABEL (K)	1	
47	321337	SHAFT (C)	1	(TILL 08.2008)
47A	329415	SHAFT (C)	1	(SINCE 09.2008)
48	875249	THRUST WASHER	2	

Parts

C10FSH

ITEM NO.	CODE NO.	DESCRIPTION	NO. USED	REMARKS
49	987860	SEAL LOCK HEX. SOCKET SET SCREW M6X6	1	
50	321339	LEVER SHAFT	1	
51	321338	LEVER	1	
52	321340	SPRING (D)	1	
53	321345	FENCE (A)	1	
54B	330768	TABLE ASS'Y	1	INCLUD.9.10.26A-34A.40.41A.43.44A. 47A-52.62-64 EXCEPT FOR USA.CAN (TILL 01.2012 FOR USA.CAN)
*54C	334463	TABLE ASS'Y	1	INCLUD.9.10 26B-34A.40A.41A.43.44A. 47A-52.62-64 SINCE 02.2012 FOR USA.CAN
55	312672	BASE RUBBER	4	
56	315210	SCALE (A)	1	
57A	960017	KNOB BOLT M6X32	1	EXCEPT FOR USA.CAN.AUS.NZL
58	987860	SEAL LOCK HEX. SOCKET SET SCREW M6X6	2	EXCEPT FOR USA.CAN AUS.NZL
59	321552	PIN	2	EXCEPT FOR USA.CAN.AUS.NZL
60		CAUTION LABEL (Q)	1	EXCEPT FOR USA.CAN.AUS.NZL
61	322617	SUB FENCE (A) ASS'Y	1	INCLUD.57-60 EXCEPT FOR USA.CAN.AUS.NZL
62	324395	COVER (B)	1	(SINCE 09.2008)
63	949429	BOLT WASHER M4 (10 PCS.)	1	(SINCE 09.2008)
64	949215	MACHINE SCREW M4X8 (10 PCS.)	1	(SINCE 09.2008)
65	949457	SPRING WASHER M8 (10 PCS.)	1	
66	949433	BOLT WASHER M8 (10 PCS.)	1	
70	949215	MACHINE SCREW M4X8 (10 PCS.)	1	
71	996227	PACKING COVER	2	
72	949429	BOLT WASHER M4 (10 PCS.)	11	
73	949215	MACHINE SCREW M4X8 (10 PCS.)	6	
74	321349	COVER	1	
*75A	332815	HINGE (A) ASS'Y	1	INCLUD.105A.116A
*75A	332814	HINGE (A) ASS'Y	1	INCLUD.105A.116A FOR AUS.NZL
*75A	332813	HINGE (A) ASS'Y	1	INCLUD.105A.116A TILL 01.2012 FOR USA. CAN
*75B	334459	HINGE (A) ASS'Y	1	INCLUD.105A.116A SINCE 01.2012 FOR USA. CAN
76A	334337	SLEEVE	1	
77	321332	SPRING	1	
78	961554	HEX. SOCKET SET SCREW M8X10	1	
79	302518	STOPPER PIN ASS'Y	1	INCLUD.80
80	984528	O-RING (P-6)	1	
81	319270	ADJUSTER	1	
82	949312	WING NUT M8 (10 PCS.)	1	
83	949633	BOLT M8X50 (10 PCS.)	1	
84	320141	HINGE SHAFT (A)	1	
85	312672	BASE RUBBER	1	
86	949237	MACHINE SCREW M5X12 (10 PCS.)	1	
87	949454	SPRING WASHER M5 (10 PCS.)	1	
88	998980	SPACER	1	
*89	322199	LINK	1	
*89	321368	LINK	1	FOR USA.CAN
90	319268	PLATE (B)	1	
91	319267	SPRING	1	
92	305179	CLUTCH SPRING	2	
93	980523	NYLON CLIP	1	
94	319267	SPRING	2	
95	319541	SEAL LOCK HEX. SOCKET SET SCREW M5X6	2	
96	305180	CLUTCH SCREW	1	
97	962614	ADJUSTING WASHER (B) T0.5	1	
98	319269	HOLDER (B)	1	
99B	329863	LASER MARKER	1	
100	319271	COVER (A)	1	
101	319272	PLATE (A)	1	
102	949217	MACHINE SCREW M4X12 (10 PCS.)	5	
103		CAUTION LABEL (J)	1	

Parts

C10FSH

ITEM NO.	CODE NO.	DESCRIPTION	NO. USED	REMARKS
*104	948614	NYLON CLIP	1	
*104	948193	NYLON CLIP	1	FOR USA.CAN
105A	331419	SUPPORT	1	EXCEPT FOR USA.CAN (TILL 01.2012 FOR USA.CAN)
105B	334458	SUPPORT	1	SINCE 02.2011 FOR USA.CAN
106	321347	BALL BUSHING	1	
107	996226	FELT	2	
108	996223	BUSHING	2	
109	949568	LOCK NUT M8 (10 PCS.)	2	
110	974500	HEX. SOCKET SET SCREW M8X16	2	
111	302459	WING BOLT M6X17	1	
112	947859	LOCK SPRING	1	
113	963174	CLAMP PIECE (B)	1	
114	320206	CAUTION LABEL (A)	1	
115	321375	HOLDER (A)	1	EXCEPT FOR USA.CAN (TILL 01.2012 FOR USA.CAN)
115A	334462	HOLDER (A)	1	SINCE 02.2012 FOR USA.CAN
116	949686	ROLL PIN D6X40 (10 PCS.)	2	(TILL 08.2010)
116A	961554	HEX. SOCKET SET SCREW M8X10	2	(SINCE 09.2010)
117	321329	INDICATOR	2	
118	303409	NYLOCK BOLT M8X25	1	
119	307956	SEAL LOCK HEX. SOCKET SET SCREW M6X10	2	
120A	305558	TAPPING SCREW (W/FLANGE) D5X25 (BLACK)	1	FOR USA.CAN
121	321333	GUARD (A)	1	EXCEPT FOR USA.CAN
121A	324372	GUARD ASS'Y	1	1INCLUD.120A FOR USA.CAN
122A	331845	GUARD HOLDER	1	
123	500439Z	CORD	1	FOR AUS.NZL
*123	500234Z	CORD	1	
*123	500241Z	CORD	1	FOR USA.CAN
*123	500435Z	CORD	1	FOR GBR (230V)
*123	500463Z	CORD	1	FOR GBR (110V)
*123	500447Z	CORD	1	FOR SUI
124	960092	WAVE WASHER	1	FOR USA.CAN
125	322210	LINER (A)	1	
126	949332	FLAT HD. SCREW M5X12 (10 PCS.)	2	EXCEPT FOR USA.CAN FOR EUROPE
127	322206	SUB COVER	1	EXCEPT FOR USA.CAN
127		FOR EUROPE (SINCE 07.2004).KOR	1	
141	938051	CORD ARMOR D10.1	1	
142	937631	CORD CLIP	1	
143	984750	TAPPING SCREW (W/FLANGE) D4X16	4	
144	321378	SWITCHING POWER SUPPLY	1	FOR 110V-127V
144A	322383	SWITCHING POWER SUPPLY	1	FOR 220V-240V
*145	322384	CONNECTOR (B)	1	
*145	321376	CONNECTOR (B)	1	FOR USA.CAN
*145	322450	CONNECTOR (B)	1	FOR GBR (110V)
146	321377	INTERNAL WIRE	1	
147	319349	CORD BUSH	1	
148	321550	HANDLE (L)	1	EXCEPT FOR USA.CAN
148A	333985	HANDLE (L)	1	FOR USA.CAN
149	305558	TAPPING SCREW (W/FLANGE) D5X25 (BLACK)	3	
150	321355	SHEET	1	
151A	321354	CONTROLLER 100V-120V	1	
151A	322200	CONTROLLER 220V-240V	1	
152	930804	TERMINAL M4.0 (10 PCS.)	1	
153	321380	HANDLE (R)	1	
154	301653	TAPPING SCREW (W/FLANGE) D4X20 (BLACK)	6	
155	880734	MACHINE SCREW (W/WASHERS) M5X25 (BLACK)	4	
156	319503	SWITCH (W/COVER)	1	
157	321383	PULLEY COVER	1	
158	959141	CONNECTOR 50092 (10 PCS.)	2	FOR USA.CAN.AUS.NZL
159	980063	TERMINAL	1	
*160	322884	SWITCH HANDLE (L2).(R2) SET	1	(SINCE 04.2007 FOR AUS.NZL)

Parts

C10FSH

ITEM NO.	CODE NO.	DESCRIPTION	NO. USED	REMARKS
*160	321381	SWITCH HANDLE (R)	1	FOR USA.CAN (TILL 03.2007 FOR AUS.NZL)
161	321356	PULLEY (A)	1	
162	949426	WASHER M8 (10 PCS.)	2	
163	978559	SUPER LOCK WASHER	2	
164	949558	NUT M8 (10 PCS.)	2	
165	6201VV	BALL BEARING 6201VVCMP2L	1	
166	307731	COVER	2	
167	949322	FLAT HD. SCREW M4X10 (10 PCS.)	4	
168	321357	PULLEY (B)	1	
169A	332810	BELT (10PH432)	1	
*170	998868	SWITCH (2P PILLAR TYPE) W/O LOCK	1	
*170	998839	SWITCH (1P PILLAR TYPE) W/LOCK	1	FOR USA.CAN
*171	981373	TUBE (D)	4	
*171	981373	TUBE (D)	3	FOR USA.CAN
*172	322207	INTERNAL WIRE (A) ASS'Y	1	INCLUD.159.171
172A	321532	INTERNAL WIRE (B) ASS'Y	1	INCLUD.159.171 FOR USA.CAN
173	930703	BRUSH TERMINAL	2	
*174	340539D	STATOR ASS'Y 120V	1	INCLUD.173 TILL 5.2011 FOR USA.CAN
174A	340778D	STATOR ASS'Y 120V-127V	1	INCLUD.173 SINCE 6.2011 FOR USA.CAN
*174A	340779C	STATOR ASS'Y (A) 110V	1	INCLUD.173
*174A	340779F	STATOR ASS'Y (A) 220V-240V	1	INCLUD.173 EXCEPT FOR EUROPE.
*174A	340779F			TILL 8.2010 FOR EUROPE
*174A	340811E	STATOR ASS'Y (B) 230V	1	INCLUD.173 SINCE 9.2010 FOR EUROPE
175	953174	HEX. HD. TAPPING SCREW D5X55	2	
176	608VVM	BALL BEARING 608VVC2NS7L	1	
*177A	360588U	ARMATURE ASS'Y 110V-120V	1	INCLUD.179.219 FOR USA.CAN
*177A	360588U			TILL 5.2011 FOR USA.CAN
*177A	360898U	ARMATURE ASS'Y 110V	1	INCLUD.176.219 FOR GBR (110V).
*177A	360898E	ARMATURE ASS'Y 220V-230V	1	INCLUD.176.219 EXCEPT FOR EUROPE.
*177A	360898E			TILL 8.2010 FOR EUROPE
*177A	360924E	ARMATURE ASS'Y 230V	1	INCLUD.176.219 FOR EUROPE
*177A	360898F	ARMATURE ASS'Y 240V	1	INCLUD.176.219
177B	360924U	ARMATURE ASS'Y 120V-127V	1	INCLUD.176.219 SINCE 6.2011 FOR USA.CAN
178A	946362	BEARING LOCK	1	
179	945161	BRUSH CAP	2	
180	999043	CARBON BRUSH (1 PAIR)	2	
*181	960685	BRUSH HOLDER	2	
*181	958900	BRUSH HOLDER	2	FOR USA.CAN
182	938477	HEX. SOCKET SET SCREW M5X8	2	
*183	322208	HOUSING ASS'Y	1	INCLUD.181.182
*183	321379	HOUSING ASS'Y	1	INCLUD.181.182 FOR USA.CAN
184	996247	MACHINE SCREW (W/WASHERS) M5X12 (BLACK)	1	
185	998980	SPACER	1	
186	996577	BOLT (W/WASHERS) M6X12 (BLACK)	1	
*187	318958	SPINDLE COVER	1	FOR USA.CAN.AUS FOR EUROPE (SINCE 07.2004).KOR
*187	322622	SPINDLE COVER (A)	1	EXCEPT FOR NZL FOR EUROPE (TILL 06.2004)
188	949258	MACHINE SCREW M6X20 (10 PCS.)	1	
189	606ZZM	BALL BEARING 606VVC2	1	
190	949455	SPRING WASHER M6 (10 PCS.)	1	
191	949425	WASHER M6 (10 PCS.)	1	
192		HITACHI LABEL	1	
193		WARNING LABEL (G)	1	FOR USA.CAN
194	304043	MACHINE SCREW (W/WASHERS) M4X10 (BLACK)	1	
195	877839	SEAL LOCK HEX. SOCKET HD. BOLT M5X10	1	
196	321384	GEAR CASE	1	EXCEPT FOR USA.CAN (TILL 01.2012 FOR USA.CAN)
196A	334461	GEAR CASE	1	SINCE 02.2012 FOR USA.CAN
197		CAUTION LABEL (M)	1	FOR AUS.NZL
*198	322443	TCT SAW BLADE 255MM-D30 HOLE-NT40	1	
198		TCT SAW BLADE 262MM-D25.4 HOLE-NT60	1	FOR AUS.NZL.KOR
*198	310878	TCT SAW BLADE 255MM-D15.88 HOLE-NT40	1	FOR USA.CAN

Parts

C10FSH

ITEM NO.	CODE NO.	DESCRIPTION	NO. USED	REMARKS
199	308789	WASHER (D)	2	FOR USA.CAN.AUS.NZL.KOR
*200	322452	LOWER GUARD	1	(SINCE 04.2007 FOR AUS.NZL)
*200	321367	SAFETY COVER	1	FOR USA.CAN (TILL 03.2007 FOR AUS.NZL)
*201	322453	RETURN SPRING (A)	1	(SINCE 04.2007 FOR AUS.NZL)
201A	322453	RETURN SPRING (A)	1	
202	949241	MACHINE SCREW M5X20 (10 PCS.)	2	
203	949454	SPRING WASHER M5 (10 PCS.)	2	
204	998335	BOLT (LEFT HAND) W/WASHER M7X17.5	1	
205	308787	SPINDLE ASS'Y	1	INCLUD.206-209
206	6003DD	BALL BEARING 6003DDCMPS2S	1	
207	308788	BEARING HOLDER	1	
208	608VVM	BALL BEARING 608VVC2PS2L	2	
209		PINION	1	
210	931008	FEATHER KEY 4X4X12	1	
211	949555	NUT M5 (10 PCS.)	1	TILL 12.2004 EXCEPT FOR NZL
212	988821	LOCK SPRING	1	
213	307732	STOPPER PIN	1	
214		NAME PLATE	1	
*215	322454	DUST GUIDE	1	
*215	321364	DUST GUIDE	1	FOR USA.CAN
216	312492	GUIDE HOLDER	1	
217	951895	LOCK-OFF BUTTON	1	FOR USA.CAN
*218	321382	SWITCH HANDLE (L)	1	FOR USA.CAN
219	6201VV	BALL BEARING 6201VVMNS7S	1	
220	949432	BOLT WASHER M6 (10 PCS.)	1	
221	976819	COLLAR (B) FOR D25.4 HOLE	1	FOR AUS.NZL.KOR
222	322456	LEVER	1	EXCEPT FOR USA.CAN
223	302757	SPACER	2	EXCEPT FOR USA.CAN
224	935196	MACHINE SCREW (W/WASHERS) M4X12 (BLACK)	3	EXCEPT FOR USA.CAN
225	322457	LEVER SPRING	1	EXCEPT FOR USA.CAN
226	322458	PLATE (C)	1	EXCEPT FOR USA.CAN
227	306371	TAPPING SCREW (W/FLANGE) D3X10 (BLACK)	2	EXCEPT FOR USA.CAN
228	322459	WASHER (A)	1	EXCEPT FOR USA.CAN.AUS.NZL.KOR
229	318962	WASHER (B)	1	EXCEPT FOR USA.CAN.AUS.NZL.KOR
230	958308Z	PILLAR TERMINAL (A)	1	EXCEPT FOR USA.CAN.AUS.NZL
231	305171	SPACER	1	EXCEPT FOR USA.CAN
232	304043	MACHINE SCREW (W/WASHERS) M4X10 (BLACK)	1	EXCEPT FOR USA.CAN.AUS.NZL FOR EUROPE (TILL 06.2004)
233	322623	SUB COVER (A)	1	EXCEPT FOR USA.CAN.AUS.NZL FOR EUROPE (TILL 06.2004)
234	320104	CAUTION LABEL (A)	1	EXCEPT FOR USA.CAN.AUS.NZL
235	329755	FERRITE CORE	1	FOR EUROPE
*235	324518	FERRITE CORE	1	FOR NZL.AUS

STANDARD ACCESSORIES

C10FSH

ITEM NO.	CODE NO.	DESCRIPTION	NO. USED	REMARKS
501	940543	BOX WRENCH 10MM	1	
502	322955	DUST BAG (BLACK)	1	
503	974663Z	COLLAR (A) FOR D30 HOLE	1	FOR AUS

OPTIONAL ACCESSORIES

ITEM NO.	CODE NO.	DESCRIPTION	NO. USED	REMARKS
601	321434	CROWN MOLDING VISE ASS'Y	1	INCLUD.602.618
602	321388	VISE (B) ASS'Y	1	INCLUD.603-608
603	321551	KNOB BOLT M10X54	1	
604	998836	KNOB BOLT M6X11	1	
605		SCREW HOLDER (B)	1	
606	306985	WASHER (H)	1	
607	964851	BASE RUBBER	1	
608	304043	MACHINE SCREW (W/WASHERS) M4X10 (BLACK)	1	
609	960017	KNOB BOLT M6X32	1	FOR USA.CAN.AUS.NZL
610	987860	SEAL LOCK HEX. SOCKET SET SCREW M6X6	2	FOR USA.CAN.AUS.NZL
611	321552	PIN	2	FOR USA.CAN.AUS.NZL
612		WARNING LABEL (L)	1	FOR USA.CAN.AUS.NZL
613	321387	SUB FENCE (A) ASS'Y	1	INCLUD.609-612 FOR USA.CAN.AUS.NZL
614	960017	KNOB BOLT M6X32	1	
615	301806	WING BOLT M6X15	1	
616		CROWN MOLDING STOPPER (L)	1	
617	321390	CROWN MOLDING STOPPER HOLDER	1	
618	321374	CROWN MOLDING STOPPER (L) ASS'Y	1	INCLUD.614-617
619	974561	STOPPER	1	
620	949404	WING BOLT M6X20 (10 PCS.)	1	
621	321390	CROWN MOLDING STOPPER HOLDER	1	
622		CROWN MOLDING STOPPER (R)	1	
623	301806	WING BOLT M6X15	1	
624	321373	CROWN MOLDING STOPPER (R) ASS'Y	1	INCLUD.614.621-623
625	321549	HOLDER	2	
626	949313	WING NUT M6 (10 PCS.)	2	
627	949556	NUT M6 (10 PCS.)	2	
628	967329	WASHER (H)	4	
629	996261	VISE PLATE	2	
630	996283	HIGH TENSION BOLT M6X65	2	
631	321553	GUIDE ASS'Y	1	INCLUD.614.619.620.625-630
*632	725206	TCT SAW BLADE 255MM-D30 HOLE-NT72	1	
*632	307713	TCT SAW BLADE 255MM-D25.4 HOLE-NT72	1	FOR AUS.NZL

**Hitachi Power Tools**3950 Steve Reynolds Blvd. Norcross, GA. 30093 Tel: Tech Support: 866.775.9429 Customer Service: 800.706.7337 www.hitachipowertools.com