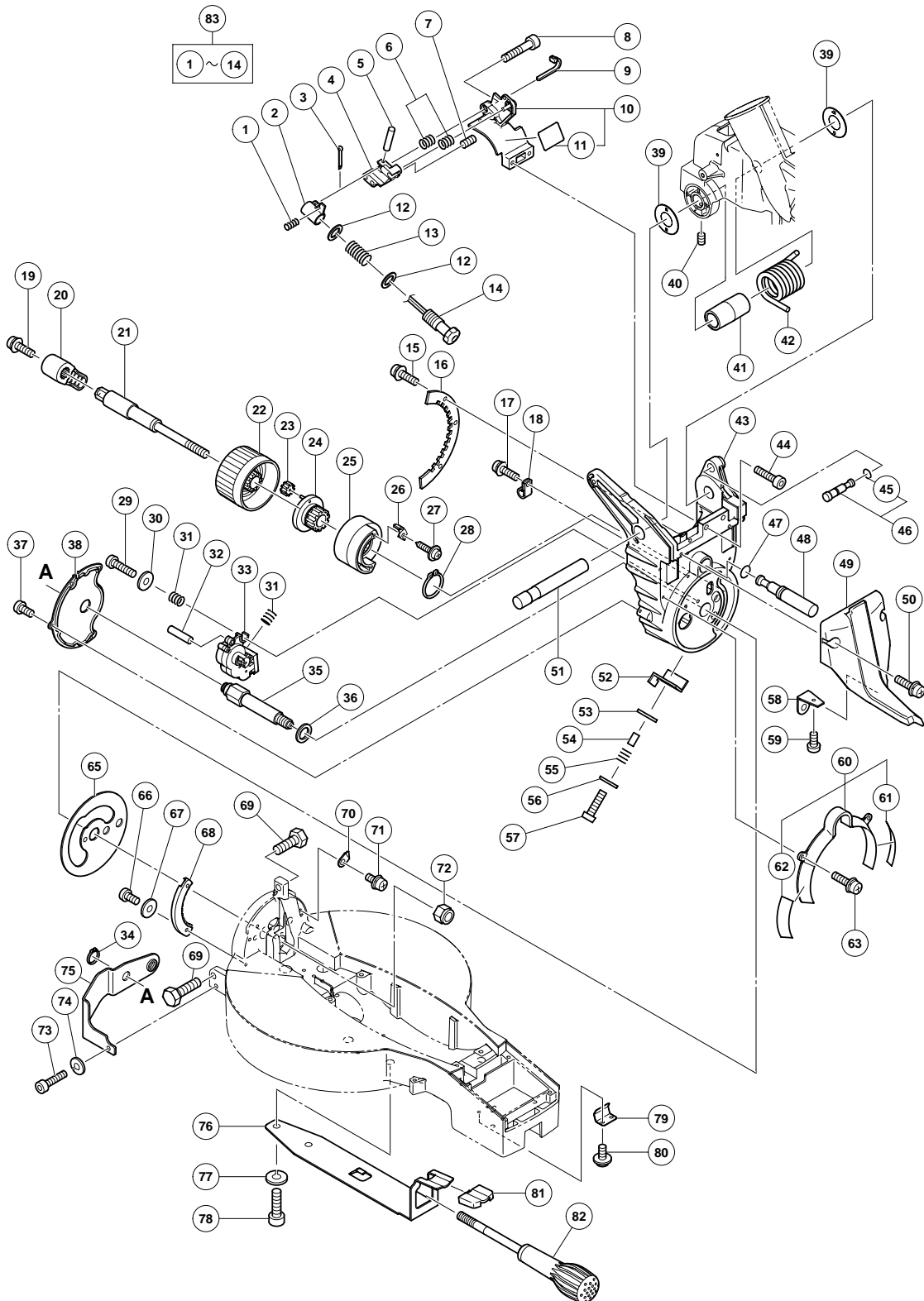
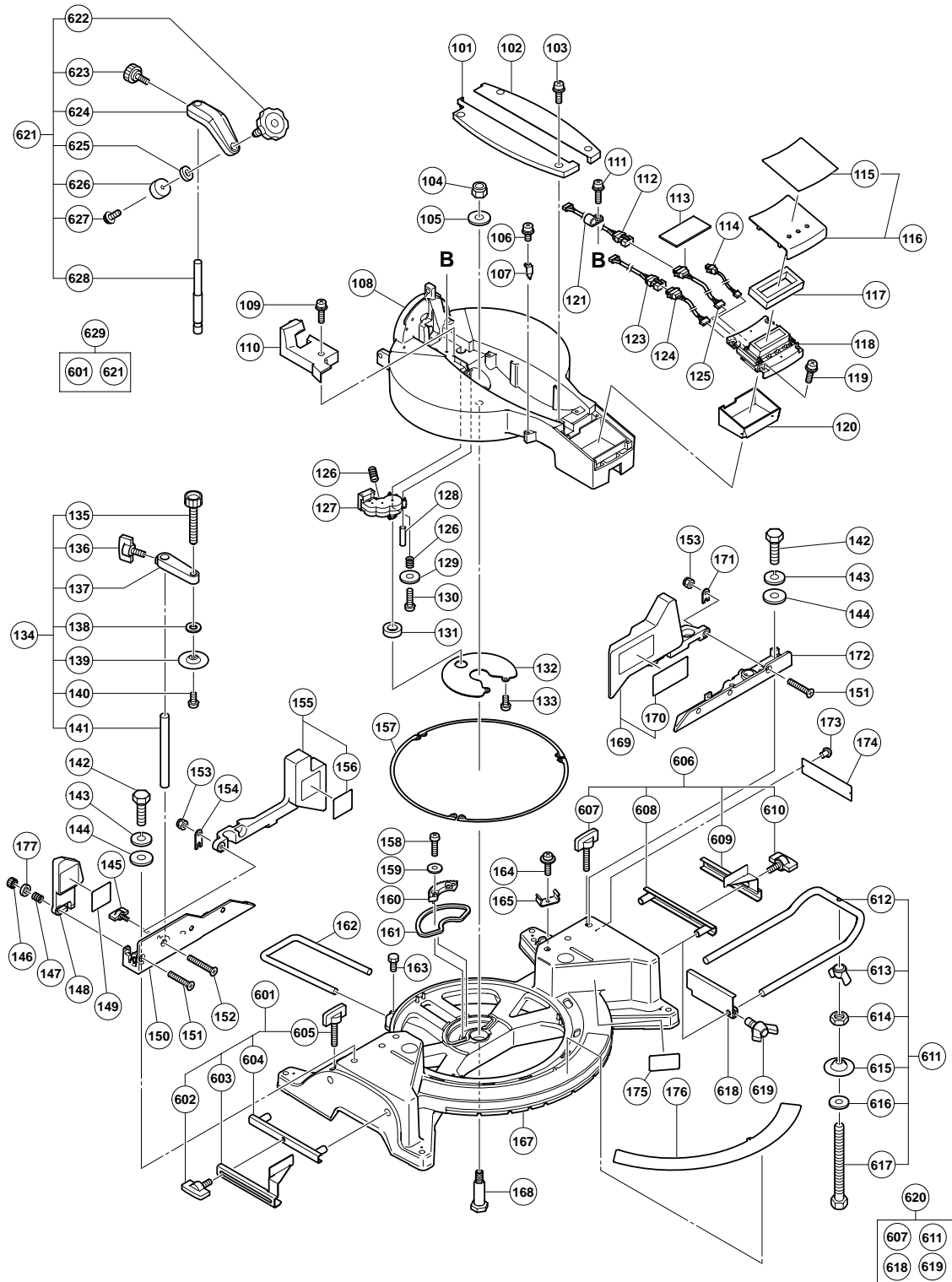


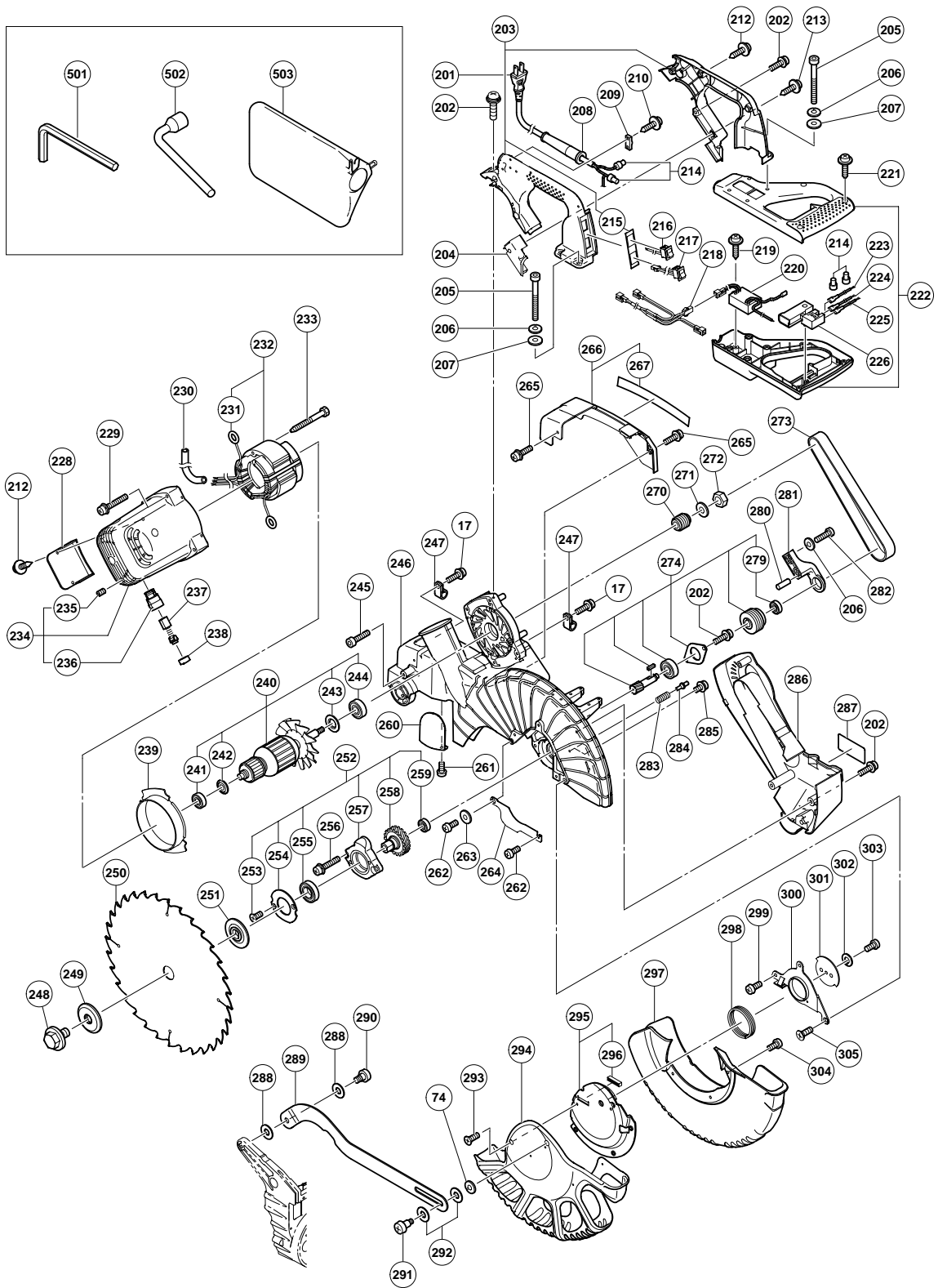
ELECTRIC TOOL PARTS LIST

COMPOUND MITER SAW Model C 12LDH

2005 • 10 • 5
(E1)







PARTS

C 12LDH

ITEM NO.	CODE NO.	DESCRIPTION	NO. USED	REMARKS
1	323-141	SPRING (B)	1	
2	323-137	LASER HOLDER (A)	1	
3	949-531	SPLIT PIN D2X12 (10 PCS.)	1	
4	323-138	LASER HOLDER (B)	1	
5	949-900	ROLL PIN D3X14 (10 PCS.)	1	
6	323-142	SPRING (C)	2	
7	962-782	HEX. SOCKET SET SCREW M5X6	1	
8	323-144	SPECIAL BOLT M5	1	
9	975-144	CABLE TIE	1	
10	323-139	LASER BASE ASS'Y	1	INCLUD. 11
11		CAUTION LABEL (A)	1	
12	323-143	WASHER	2	
13	323-140	SPRING (A)	1	
14	324-711	LASER MODULE (A)	1	
15	990-541	MACHINE SCREW (W/WASHERS) M5X16	3	
16	324-971	RACK	1	
17	935-196	MACHINE SCREW (W/WASHERS) M4X12 (BLACK)	3	
18	973-313	NYLON CLIP	1	
19	323-208	MACHINE SCREW (W/WASHERS) M6X20 (BLACK)	1	
20	322-935	CLAMP LEVER	1	
21	325-032	BOLT (LEFT HAND) M10	1	
22	325-033	KNOB (A)	1	
23	325-035	PLANET GEAR	3	
24	325-036	PINION (A)	1	
25	325-034	RING GEAR	1	
26	325-037	PLATE (H)	2	
27	307-811	TAPPING SCREW (W/FLANGE) D4X16 (BLACK)	2	
28	962-553	RETAINING RING FOR D28 SHAFT	1	
29	949-241	MACHINE SCREW M5X20 (10 PCS.)	1	
30	949-432	BOLT WASHER M6 (10 PCS.)	1	
31	323-142	SPRING (C)	2	
32	305-592	NEEDLE D5X19.8	1	
33	323-619	ENCODER	1	
34	939-542	RETAINING RING FOR D12 SHAFT (10 PCS.)	1	
35	325-030	SHAFT (D)	1	
36	322-934	WASHER M16	1	
37	949-216	MACHINE SCREW M4X10 (10 PCS.)	4	
38	324-972	HINGE COVER	1	
39	323-684	LINER (D)	2	
40	307-956	SEAL LOCK HEX. SOCKET SET SCREW M6X10	1	
41	323-594	SLEEVE	1	
42	323-595	SPRING (A)	1	
43	325-027	HINGE ASS'Y	1	INCLUD. 32
44	949-660	HEX. SOCKET HD. BOLT M6X20 (10 PCS.)	2	
45	984-528	O-RING (P-6)	1	
46	302-518	STOPPER PIN ASS'Y	1	INCLUD. 45
47	996-407	O-RING (1AP-12)	1	
48	325-028	SET PIN	1	
49	324-973	DUST GUIDE ASS'Y	1	INCLUD. 58, 59
50	990-541	MACHINE SCREW (W/WASHERS) M5X16	2	
51	323-593	SHAFT (C)	1	

PARTS

C 12LDH

ITEM NO.	CODE NO.	DESCRIPTION	NO. USED	REMARKS
52	325-029	BEVEL PLATE	1	
53	949-432	BOLT WASHER M6 (10 PCS.)	1	
54	303-006	SPACER D4X10	1	
55	323-142	SPRING (C)	1	
56	949-423	WASHER M4 (10 PCS.)	1	
57	949-221	MACHINE SCREW M4X20 (10 PCS.)	1	
58	322-963	DUST GUIDE HOLDER	1	
59	949-214	MACHINE SCREW M4X6 (10 PCS.)	1	
60	324-968	SCALE PLATE ASS'Y	1	INCLUD. 61, 62
61	324-969	SCALE (B)	1	
62	324-970	SCALE (C)	1	
63	993-539	MACHINE SCREW (W/WASHERS) M4X16	2	
65	324-978	LINER (B)	1	
66	949-216	MACHINE SCREW M4X10 (10 PCS.)	2	
67	949-423	WASHER M4 (10 PCS.)	2	
68	324-977	GEAR (B)	1	
69	325-019	NYLOCK HEX. SOCKET HD. BOLT M8X20	3	
70	324-974	INDICATOR (B)	2	
71	304-043	MACHINE SCREW (W/WASHERS) M4X10 (BLACK)	2	
72	680-418	NYLON NUT M12	1	
73	949-821	HEX. SOCKET HD. BOLT M5X16 (10 PCS.)	1	
74	949-454	SPRING WASHER M5 (10 PCS.)	2	
75	325-031	HINGE PLATE	1	
76	323-627	SPRING PLATE	1	
77	949-457	SPRING WASHER M8 (10 PCS.)	2	
78	949-655	HEX. SOCKET HD. BOLT M8X16 (10 PCS.)	2	
79	323-609	SPACER (A)	1	
80	307-635	MACHINE SCREW (W/SP. WASHER) M4X10	2	
81	324-987	PLATE CAP	1	
82	323-680	SIDE HANDLE	1	
83	323-646	LASER HOLDER ASS'Y	1	INCLUD. 1-10, 12-14
101	325-046	TABLE INSERT (A)	1	
102	323-649	TABLE INSERT (B)	1	
103	990-541	MACHINE SCREW (W/WASHERS) M5X16	4	
104	975-348	NYLON NUT M8	1	
105	318-929	WASHER (F)	1	
106	304-043	MACHINE SCREW (W/WASHERS) M4X10 (BLACK)	1	
107	318-927	INDICATOR (A)	1	
108	324-976	TURN TABLE ASS'Y	1	INCLUD. 128
109	993-539	MACHINE SCREW (W/WASHERS) M4X16	1	
110	325-021	CORD COVER (A)	1	
111	993-539	MACHINE SCREW (W/WASHERS) M4X16	1	
112	324-986	CORD (A) 100MM	1	
113	324-984	PACKING (E)	1	
114	324-983	CORD (D)	1	
115	323-616	PANEL SHEET (A)	1	
116	323-615	INDICATION PANEL ASS'Y	1	INCLUD. 115
117	323-608	PACKING (D)	1	
118	324-979	MONITOR ASS'Y	1	INCLUD. 114, 124, 125
119	993-539	MACHINE SCREW (W/WASHERS) M4X16	4	
120	324-985	INSULATING CASE	1	

PARTS

C 12LDH

ITEM NO.	CODE NO.	DESCRIPTION	NO. USED	REMARKS
121	980-523	NYLON CLIP	1	
123	325-026	CORD (A) 310MM	1	
124	324-981	CORD (C) 300MM	1	
125	324-982	CORD (C) 330MM	1	
126	323-142	SPRING (C)	2	
127	323-619	ENCODER	1	
128	305-592	NEEDLE D5X19.8	1	
129	949-432	BOLT WASHER M6 (10 PCS.)	1	
130	949-241	MACHINE SCREW M5X20 (10 PCS.)	1	
131	323-622	PACKING (B)	1	
132	323-623	DUST COVER	1	
133	949-215	MACHINE SCREW M4X8 (10 PCS.)	1	
134	323-677	WISE ASS'Y	1	INCLUD. 135-141
135	323-678	KNOB BOLT	1	
136	301-806	WING BOLT M6X15	1	
137		SCREW HOLDER	1	
138	949-432	BOLT WASHER M6 (10 PCS.)	1	
139	302-532	WISE PLATE	1	
140	949-216	MACHINE SCREW M4X10 (10 PCS.)	1	
141	322-954	WISE SHAFT	1	
142	949-678	BOLT M8X35 (10 PCS.)	4	
143	949-457	SPRING WASHER M8 (10 PCS.)	4	
144	949-433	BOLT WASHER M8 (10 PCS.)	4	
145	301-806	WING BOLT M6X15	1	
146	324-995	KNOB (B)	1	
147	323-142	SPRING (C)	1	
148	324-993	SUB FENCE (C) ASS'Y	1	INCLUD. 149
149		WARNING LABEL (O)	1	
150	325-049	FENCE (B)	1	
151	949-342	FLAT HD. SCREW M6X25 (10 PCS.)	2	
152	949-795	FLAT HD. SCREW M6X35 (10 PCS.)	1	
153	963-837	NYLON NUT M6	2	
154	324-994	PLATE (D) 35MM	1	
155	325-271	SUB FENCE (B) ASS'Y	1	INCLUD. 156
156		WARNING LABEL (L)	1	
157	323-625	LINER (A)	3	
158	302-317	MACHINE SCREW M5X16 (BLACK)	2	
159	949-431	BOLT WASHER M5 (10 PCS.)	2	
160	324-975	GEAR (A)	1	
161	323-603	PACKING (A)	1	
162	322-910	HOLDER	1	
163	949-610	BOLT M6X10 (10 PCS.)	1	
164	987-512	MACHINE SCREW (W/SP. WASHER) M5X16	1	
165	323-605	HOOK	1	
167	325-264	BASE ASS'Y	1	INCLUD. 173-176
168	323-626	SHAFT (B)	1	
169	325-270	SUB FENCE (A) ASS'Y	1	INCLUD. 170
170		WARNING LABEL (M)	1	
171	324-990	PLATE (D) 24.5MM	1	
172	324-988	FENCE (A)	1	
173	949-510	RIVET D2.5X4.8 (10 PCS.)	2	

PARTS

C 12LDH

ITEM NO.	CODE NO.	DESCRIPTION	NO. USED	REMARKS
174		WARNING LABEL (A)	1	
175		CAUTION LABEL (C)	1	
176	323-656	SCALE (A)	1	
177	949-432	BOLT WASHER M6 (10 PCS.)	1	
201	325-048	CORD	1	
202	990-541	MACHINE SCREW (W/WASHERS) M5X16	7	
203	325-013	HANDLE ASS'Y	1	INCLUD. 215
204	325-022	CORD COVER (B)	1	
205	949-828	HEX. SOCKET HD. BOLT M5X70 (10 PCS.)	4	
206	949-454	SPRING WASHER M5 (10 PCS.)	6	
207	949-431	BOLT WASHER M5 (10 PCS.)	4	
208	940-778	CORD ARMOR D10.7	1	
209	937-631	CORD CLIP	1	
210	984-750	TAPPING SCREW (W/FLANGE) D4X16	2	
212	307-811	TAPPING SCREW (W/FLANGE) D4X16 (BLACK)	5	
213	307-811	TAPPING SCREW (W/FLANGE) D4X16 (BLACK)	1	
214	959-141	CONNECTOR 50092 (10 PCS.)	4	
215	325-014	SWITCH LABEL (A)	1	
216	323-634	SWITCH (A) (1P TYPE)	1	
217	323-635	SWITCH (B) (1P TYPE)	1	
218	324-999	CORD (B)	1	
219	984-750	TAPPING SCREW (W/FLANGE) D4X16	1	
220	322-911	SWITCHING POWER SUPPLY	1	
221	301-653	TAPPING SCREW (W/FLANGE) D4X20 (BLACK)	3	
222	325-043	SWITCH HANDLE (A).(B) SET	1	
223	325-261	INTERNAL WIRE (A) (BLUE)	1	
224	325-262	INTERNAL WIRE (A) (YELLOW)	1	
225	325-263	INTERNAL WIRE (A) (BLACK)	1	
226	324-998	SWITCH (3P FASTON TYPE) W/O LOCK	1	
228	325-002	HOUSING COVER	1	
229	322-123	MACHINE SCREW (W/WASHERS) M5X40 (BLACK)	4	
230	325-000	VINYL TUBE	1	
231	937-623	BRUSH TERMINAL	2	
232	340-648D	STATOR ASS'Y 120V	1	INCLUD. 231
233	953-174	HEX. HD. TAPPING SCREW D5X55	2	
234	325-045	HOUSING ASS'Y	1	INCLUD. 235, 236
235	938-477	HEX. SOCKET SET SCREW M5X8	2	
236	938-241	BRUSH HOLDER	1	
237	999-038	CARBON BRUSH (1 PAIR)	2	
238	945-161	BRUSH CAP	2	
239	322-915	FAN GUIDE	1	
240	360-743U	ARMATURE ASS'Y 120V	1	INCLUD. 241-244
241	600-0VV	BALL BEARING 6000VVCMP2L	1	
242	302-428	WASHER (A)	1	
243	325-003	DUST WASHER (B)	1	
244	620-1VV	BALL BEARING 6201VVCMP2L	1	
245	949-755	HEX. SOCKET HD. BOLT M6X16 (10 PCS.)	1	
246	325-004	GEAR CASE	1	
247	980-523	NYLON CLIP	2	
248	988-101	BOLT (A) M10	1	
249	323-652	WASHER (B)	1	

PARTS

C 12LDH

ITEM NO.	CODE NO.	DESCRIPTION	NO. USED	REMARKS
250		TCT SAW BLADE 305MM-D25.4 HOLE-NT32	1	
251	325-023	WASHER (A)	1	
252	325-005	SPINDLE ASS'Y	1	INCLUD. 253-255, 257-259
253	318-363	FLAT HD. SCREW M4X10 (BLACK)	2	
254	325-008	BEARING COVER (A)	1	
255	690-4DD	BALL BEARING 6904DDPS2L	1	
256	323-208	MACHINE SCREW (W/WASHERS) M6X20 (BLACK)	2	
257	325-007	BEARING HOLDER (A)	1	
258	325-006	SPINDLE AND GEAR SET	1	
259	608-VVM	BALL BEARING 608VVC2PS2L	1	
260	322-926	LASER COVER (A)	1	
261	949-216	MACHINE SCREW M4X10 (10 PCS.)	1	
262	949-236	MACHINE SCREW M5X10 (10 PCS.)	2	
263	949-431	BOLT WASHER M5 (10 PCS.)	1	
264	323-675	SPINDLE COVER	1	
265	993-539	MACHINE SCREW (W/WASHERS) M4X16	2	
266	325-047	GEAR CASE COVER ASS'Y	1	INCLUD. 267
267	323-654	CAUTION LABEL (B)	1	
270	324-443	PULLEY (A)	1	
271	961-157	SUPER LOCK WASHER	1	
272	949-560	NUT M10 (10 PCS.)	1	
273	324-427	BELT (200H10) 16X508	1	
274	325-009	PINION ASS'Y	1	INCLUD. 279
279	608-VVM	BALL BEARING 608VVC2PS2L	1	
280	983-545	NEEDLE ROLLER	2	
281	325-259	BEARING HOLDER (B)	1	
282	949-241	MACHINE SCREW M5X20 (10 PCS.)	2	
283	325-018	SPRING	1	
284	325-017	STOPPER PIN (B)	1	
285	304-043	MACHINE SCREW (W/WASHERS) M4X10 (BLACK)	1	
286	325-016	PULLEY COVER	1	
287		NAME PLATE	1	
288	322-948	WASHER M7	2	
289	325-041	LINK	1	
290	322-950	SPECIAL SCREW M6	1	
291	322-947	SPECIAL SCREW (C) M5	1	
292	322-938	WASHER M10	2	
293	318-363	FLAT HD. SCREW M4X10 (BLACK)	1	
294	325-039	PROTECTIVE COVER (B)	1	
295	323-672	COVER PLATE (B) ASS'Y	1	INCLUD. 296
296	323-673	CUSHION	1	
297	323-667	PROTECTIVE COVER (A)	1	
298	323-671	RETURN SPRING	1	
299	949-236	MACHINE SCREW M5X10 (10 PCS.)	2	
300	325-040	COVER PLATE (A)	1	
301	323-670	COVER WASHER	1	
302	949-454	SPRING WASHER M5 (10 PCS.)	1	
303	949-236	MACHINE SCREW M5X10 (10 PCS.)	1	
304	949-215	MACHINE SCREW M4X8 (10 PCS.)	3	
305	325-038	FLAT HD. SCREW M5X10 (BLACK)	1	

