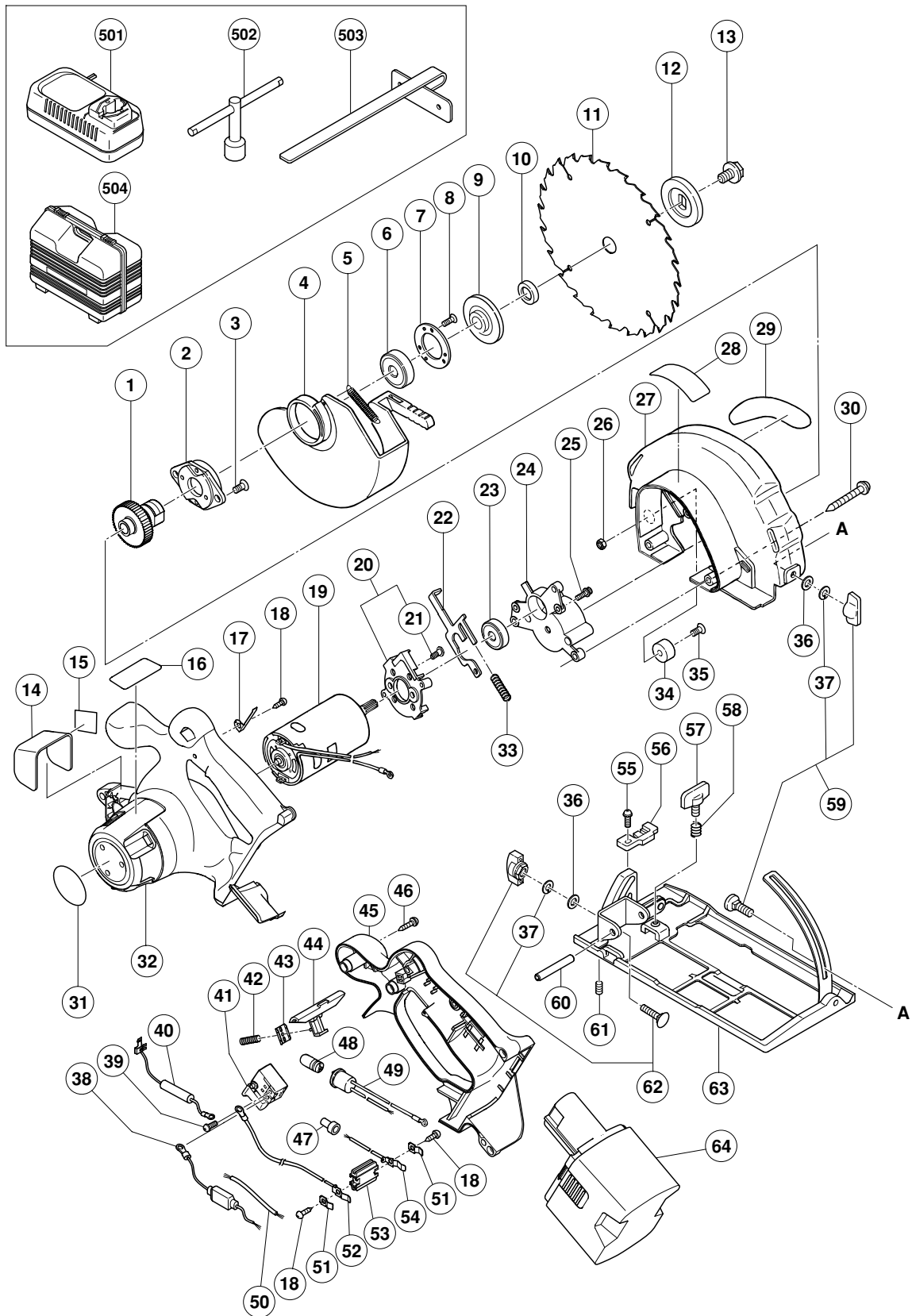


ELECTRIC TOOL PARTS LIST

■ CORDLESS CIRCULAR SAW
Model C 6DC2

2002 · 6 · 30
(E1)



PARTS

C 6DC2

ITEM NO.	CODE NO.	DESCRIPTION	NO. USED	REMARKS
1	317-468	GEAR	1	
2	308-361	BEARING HOLDER	1	
3	305-568	SEAL LOCK FLAT HD. SCREW M5X12	2	
4	317-202	SAFETY COVER	1	
5	317-203	RETURN SPRING	1	
6	600-2VV	BALL BEARING 6002VVCMP2L	1	
7	308-362	BEARING COVER	1	
8	308-773	SEAL LOCK FLAT HD. SCREW M3X12	3	
* 9	317-465	WASHER (A2)	1	
* 9	317-466	WASHER (A1)	1	FOR USA,CAN
* 10	990-100	RING D15.9/I.D14.5	1	FOR USA,CAN
* 11	317-452	TCT SAW BLADE 165MM-D20 HOLE-NT40	1	
* 11	317-451	TCT SAW BLADE 165MM-D15.88 HOLE	1	FOR USA,CAN
12	317-467	WASHER (B1)	1	
13	957-749	BOLT (W/WASHER) M7X17.5	1	
14	317-204	LIGHT COVER ASS'Y	1	INCLUD.15
15		LABEL (B)	1	
16		NAME PLATE	1	
17	317-211	TERMINAL (C)	1	
18	958-715	TAPPING SCREW D4X10	3	
19	320-996	MOTOR (B)	1	
20	318-347	INNER COVER (A) ASS'Y	1	INCLUD.21
21	317-914	SPECIAL BOLT M5	2	
22	317-194	LOCK LEVER	1	
23	609-VVM	BALL BEARING 609VVC2PS2L	1	
24	317-195	INNER COVER (B)	1	
25	317-196	NYLOCK BOLT (W/FLANGE) M4X12	2	
26	302-012	NUT M5 (BLACK)	1	
27	317-201	SAW COVER	1	
* 28		CAUTION PLATE	1	FOR USA,CAN
29		HITACHI LABEL (B)	1	
30	317-449	TAPPING SCREW (W/FLANGE) D5X50	3	
31		LABEL (A)	1	
32	321-003	HOUSING	1	
33	961-803	SPRING	1	
34	310-842	CUSHION	1	
35	949-793	FLAT HD. SCREW M5X20 (10 PCS.)	1	
36	949-425	WASHER M6 (10 PCS.)	2	
37	948-167	SUPER LOCK WASHER M6	2	
38	320-998	RESISTOR (A)	1	
39	307-887	MACHINE SCREW (W/WASHER) M3.5X6	3	
40	317-455	RESISTOR	1	
41	980-061	SWITCH (1P SCREW TYPE) W/O LOCK	1	
42	301-631	SPRING (F)	1	
43	317-207	TERMINAL (A)	1	
44	319-904	KNOB	1	
45	321-004	HANDLE COVER	1	
46	305-812	TAPPING SCREW (W/FLANGE) D4X16 (BLACK)	5	
47	959-141	CONNECTOR 50092 (10 PCS.)	2	
48	315-229	LAMP (12V 5W)	1	
49	320-999	SOCKET	1	

PARTS

C 6DC2

ITEM NO.	CODE NO.	DESCRIPTION	NO. USED	REMARKS		
50	321-002	INTERNAL WIRE	2			
51	996-118	HOLDER SPRING	2			
52	321-001	TERMINAL	1			
53	320-997	TERMINAL PIECE	1			
54	321-000	TERMINAL	1			
55	317-200	MACHINE SCREW (W/WASHERS) M4X8 (BLACK)	1			
56	321-006	GUIDE PIECE	1			
57	307-898	WING BOLT M6X18	1			
58	941-056	SPRING	1			
59	314-620	BOLT ASS'Y (SQUARE) M6X22	1	INCLUD.37		
60	949-523	ROLL PIN D6X45 (10 PCS.)	1			
61	308-109	SLOTTED HD. SET SCREW (SEAL LOCK) M6X8	1			
62	314-621	BOLT ASS'Y (SQUARE) M6X20	1	INCLUD.37		
63	321-005	BASE ASS'Y	1	INCLUD.36,55-58,61,62		
*	64	319-763	BATTERY EB 1820 (W/ENGLISH N.P)	1		
*	64	319-762	BATTERY EB 1820 (W/ENGLISH N.P)	1	FOR NZL	
*	64	319-764	BATTERY EB 1820 (W/ENGLISH N.P)	1	FOR AUS	

