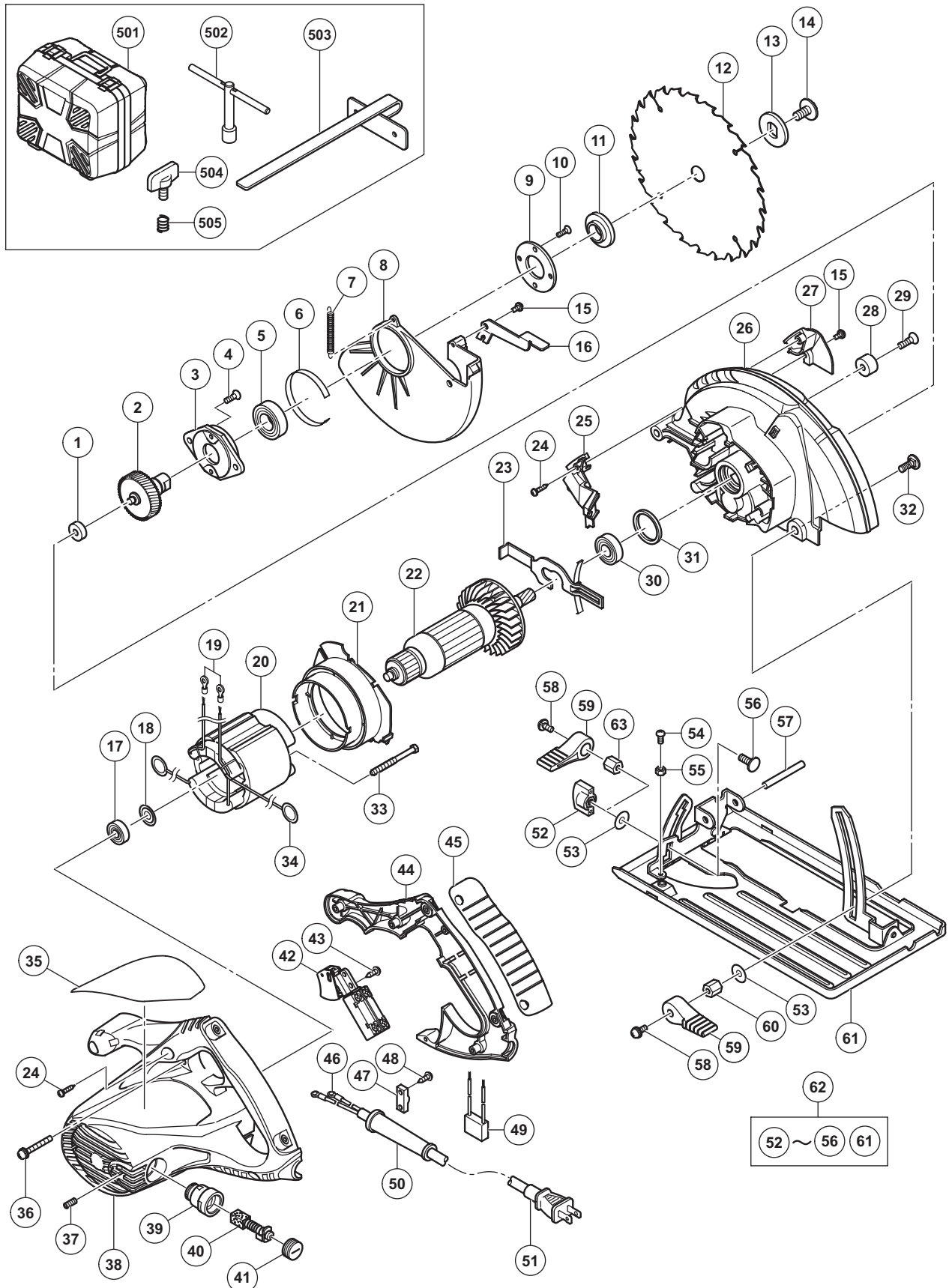


ELECTRIC TOOL PARTS LIST

■ CIRCULAR SAW Model C 7ST

2011·2·17
(E1)



PARTS

C 7ST

ITEM NO.	CODE NO.	DESCRIPTION	NO. USED	REMARKS
1	963-803	METAL	1	
2	333-564	SPINDLE AND GEAR SET	1	
3	302-433	BEARING HOLDER	1	
4	992-013	SEAL LOCK FLAT HD. SCREW M5 X 14	2	
5	600-3VV	BALL BEARING 6003VVCMP2L	1	
6	961-807	BUSHING	1	
7	333-567	RETURN SPRING	1	
8	333-572	LOWER GUARD	1	
9	302-435	BEARING COVER	1	
10	990-430	SEAL LOCK FLAT HD. SCREW M4 X 10	2	
*	11	324-597	1	WASHER (A)
*	11	321-639	1	WASHER (A) FOR UAE, THA, INA, SIN, HKG, MAL, NZL, AUS, BRA, CHN, IND
*	11	320-970	1	WASHER (A) FOR PAN, USA, CAN, MEX
*	11	333-843	1	WASHER (A) FOR KOR
*	12	333-755	1	TCT SAW BLADE 185MM-D30 HOLE-NT18
*	12	333-756	1	TCT SAW BLADE 185MM-D20 HOLE-NT18 FOR UAE, THA, INA, SIN, HKG, MAL, NZL, AUS, BRA, CHN, IND
*	12	333-757	1	TCT SAW BLADE 185MM-D15.9 HOLE-NT18 FOR PAN, MEX
*	12	333-641	1	TCT SAW BLADE 185MM-D16 HOLE-NT24 FOR USA, CAN
*	12	333-758	1	TCT SAW BLADE 185MM-D19 HOLE-NT60 FOR KOR
*	13	333-555	1	WASHER (B)
*	13	333-556	1	WASHER (B) FOR SAF, GBR, EUROPE, FIN, NOR, SWE, DEN, AUT, TUR, SUI, RUS, ISR
	14	320-971	1	BOLT (W/FLANGE) M8 X 15.5
	15	935-196	2	MACHINE SCREW (W/WASHERS) M4 X 12 (BLACK)
	16	328-045	1	LEVER
	17	608-VVM	1	BALL BEARING 608VVC2PS2L
	18	982-631	1	WASHER (A)
*	19	930-804	2	TERMINAL M4.0 (10 PCS.) FOR NOISE SUPPRESSOR
*	20	340-807B	1	STATOR ASS'Y 110V INCLUD. 34
*	20	340-794C	1	STATOR ASS'Y 110V-127V INCLUD. 19, 34 FOR UAE, BRA (127V), USA, CAN, MEX
*	20	340-807E	1	STATOR ASS'Y 220V-240V INCLUD. 34
*	20	340-794E	1	STATOR ASS'Y 220V-240V INCLUD. 19, 34 FOR THA, INA, SIN, HKG, MAL, PAN, BRA (220V), IND, ISR
	21	333-565	1	FAN GUIDE
*	22	360-907U	1	ARMATURE ASS'Y 110V-127V INCLUD. 17, 18, 30
*	22	360-907E	1	ARMATURE 220V-240V
	23	333-568	1	LOCK LEVER
	24	301-653	6	TAPPING SCREW (W/FLANGE) D4 X 20 (BLACK)
	25	333-570	1	FLOW GUIDE (B)
	26	333-571	1	GEAR COVER
	27	333-569	1	FLOW GUIDE (A)
	28	961-729	1	CUSHION
	29	949-794	1	FLAT HD. SCREW M6 X 20 (10 PCS.)
	30	600-1VV	1	BALL BEARING 6001VVCMP2L
	31	333-566	1	RUBBER RING
	32	333-563	1	BOLT (SQUARE) M6
	33	960-251	2	HEX. HD. TAPPING SCREW D5 X 65

PARTS

C 7ST

ITEM NO.	CODE NO.	DESCRIPTION	NO. USED	REMARKS
34	930-703	BRUSH TERMINAL	2	
35		NAME PLATE	1	
36	997-841	MACHINE SCREW (W/WASHERS) M5 X 50 (BLACK)	3	
37	982-169	HEX. SOCKET SET SCREW M5 X 12	2	
38	333-558	HOUSING ASS'Y	1	INCLUD. 37, 39
39	958-900	BRUSH HOLDER	2	
40	999-043	CARBON BRUSH (1 PAIR)	2	
41	945-161	BRUSH CAP	2	
42	333-554	SWITCH (2P SCREW TYPE)	1	
43	305-720	TAPPING SCREW (W/FLANGE) D4 X 12	1	
44	333-559	HANDLE COVER	1	
45	333-782	GRIP COVER	1	
* 46	980-063	TERMINAL	2	
* 46	930-804	TERMINAL M4.0 (10 PCS.)	2	FOR UAE,BRA (127V), USA, CAN, MEX
47	937-631	CORD CLIP	1	
48	984-750	TAPPING SCREW (W/FLANGE) D4 X 16	2	
* 49	930-039	NOISE SUPPRESSOR	1	FOR NZL, AUS, SAF, GBR, EUROPE, FIN, NOR, SWE, DEN, AUT, TUR, SUI, RUS, CHN, ISR, KOR
* 50	953-327	CORD ARMOR D8.8	1	
* 50	938-051	CORD ARMOR D10.1	1	
* 51	500-234Z	CORD	1	(CORD ARMOR D8.8)
* 51	500-242Z	CORD	1	(CORD ARMOR D10.1) FOR USA, CAN, MEX
* 51	500-237Z	CORD	1	(CORD ARMOR D8.8) FOR SIN, MAL
* 51	500-439Z	CORD	1	(CORD ARMOR D8.8) FOR NZL, AUS
* 51	500-435Z	CORD	1	(CORD ARMOR D8.8) FOR HKG, GBR (230V)
* 51	500-463Z	CORD	1	(CORD ARMOR D8.8) FOR GBR (110V)
* 51	323-974	CORD	1	(CORD ARMOR D8.8) FOR UAE
* 51	500-455Z	CORD	1	(CORD ARMOR D8.8) FOR THA
* 51	500-447Z	CORD	1	(CORD ARMOR D8.8) FOR SUI
* 51	500-487Z	CORD	1	(CORD ARMOR D8.8) FOR BRA (220V)
* 51	500-488Z	CORD (BRA)	1	(CORD ARMOR D8.8) FOR BRA (127V)
* 51	500-455Z	CORD	1	(CORD ARMOR D8.8) FOR CHN
52	314-622	WING NUT M6	1	
53	320-975	WASHER	2	
54	333-783	MACHINE SCREW M4 X 12 (BLACK)	1	
55	322-709	NUT M4 (BLACK)	1	
56	333-562	BOLT (SQUARE) M6	1	
57	949-750	ROLL PIN D6 X 50 (10 PCS.)	1	
* 58	322-260	SEAL LOCK SCREW (W/SP. WASHERS) M6 X 14	1	
* 58	322-260	SEAL LOCK SCREW (W/SP. WASHERS) M6 X 14	2	FOR USA, CAN
* 59	323-923	LEVER (A)	1	
* 59	323-923	LEVER (A)	2	FOR USA, CAN
60	328-048	LOCK NUT	1	
61	333-561	BASE (A)	1	
62	333-560	BASE ASS'Y	1	INCLUD. 52-56, 61
* 63	331-267	LOCK NUT	1	FOR USA, CAN

