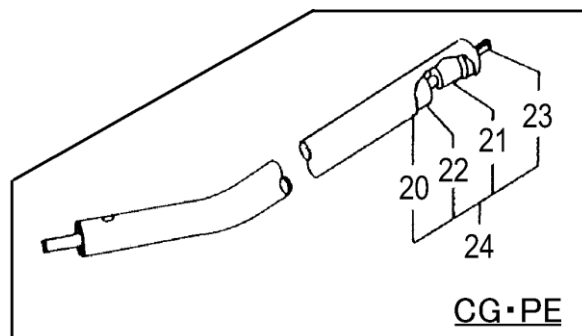
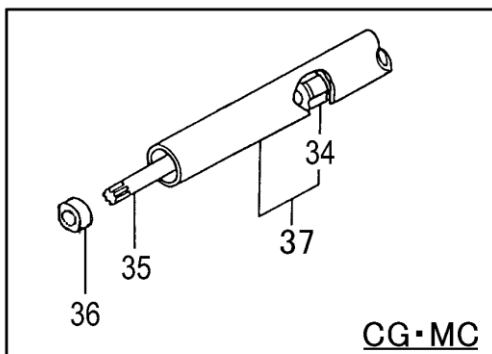
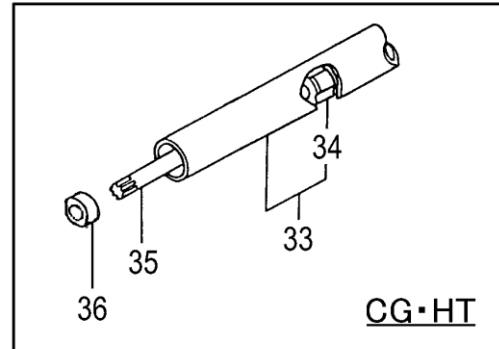
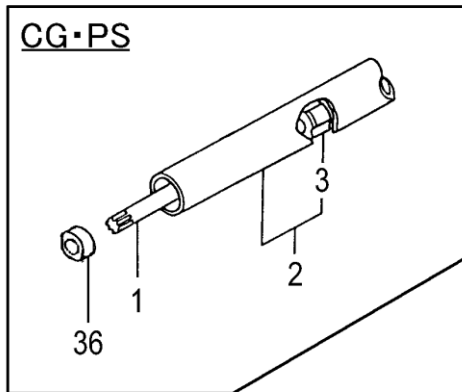


S29

(For EU/RU)

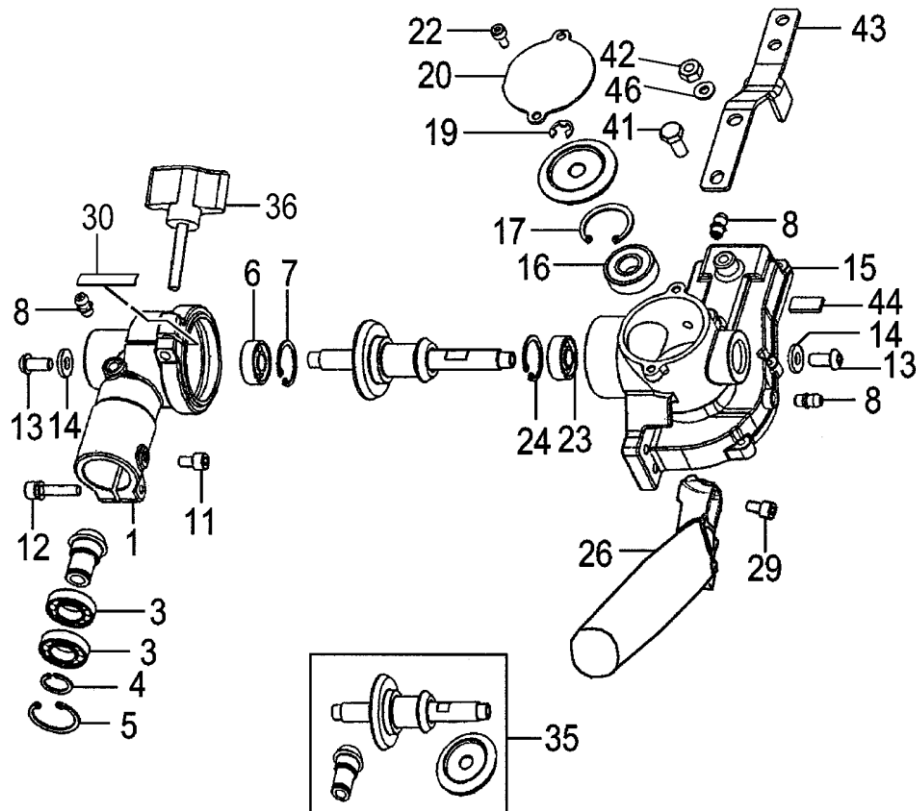
CG-HT/CG-PS
CG-MC/CG-PE
October,2013

S29-01 DRIVE SHAFT(CG-HT/PS/MC/PE)



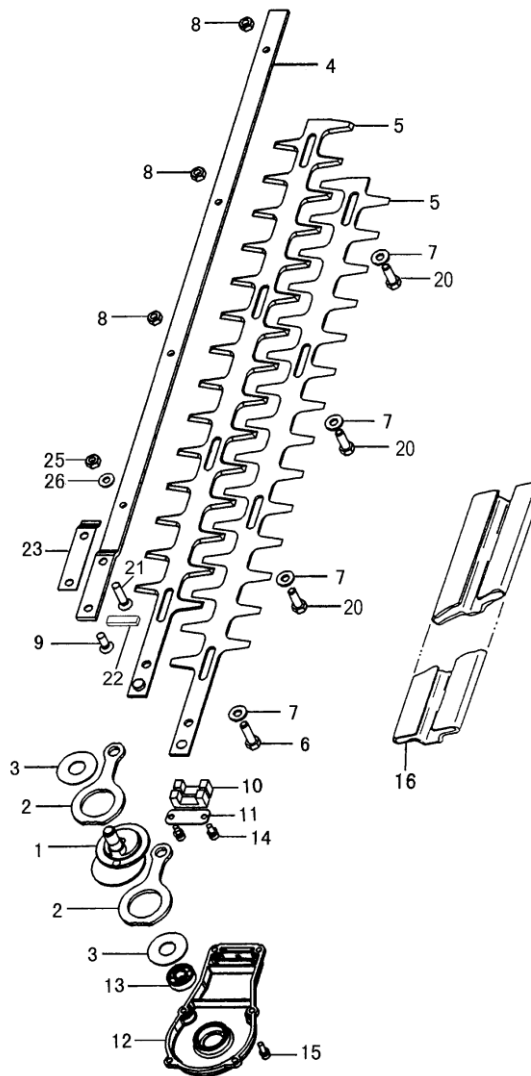
REF. NUMBER	SERVICE CODE No.	DESCRIPTION	Q'TY	REMARKS /SERIAL NO.
S29-01 DRIVE SHAFT(CG-HT/PS/MC/PE)				
001	668-6000	DRIVE SHAFT B 1085L	1	
002	668-9314	DRIVE SHAFT COMP 1042L	1	
003	668-4831	BUSH ASS'Y	4	
020	668-9360	DRIVE SHAFT	1	
021	668-9146	SPACER	1	
022	668-9560	FLEXIBLE LINER	1	
023	668-9486	FLEXIBLE SHAFT	1	
024	669-6012	DRIVE SHAFT PIPE SET	1	
033	668-9302	DRIVE SHAFT PIPE COMP 742L	1	
034	668-4831	BUSH ASS'Y	4	
035	668-4832	DRIVE SHAFT B 783L	1	
036	668-4833	BUSHING	1	
037	669-7838	DRIVE SHAFT COMP	1	

S29-02 GEAR CASE (CG-HT)



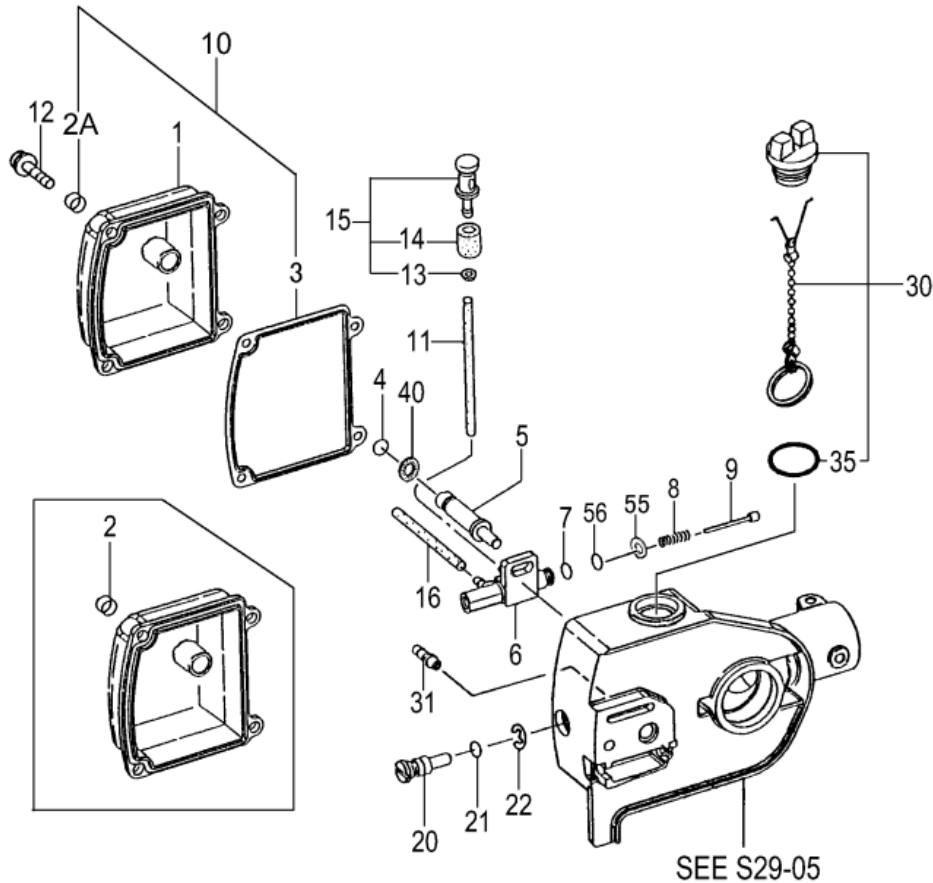
REF. NUMBER	SERVICE CODE No.	DESCRIPTION	Q'TY	REMARKS /SERIAL NO.
S29-02 GEAR CASE(CG-HT)				
001	668-8653	GEAR CASE A,24 DIA	1	
003	669-5582	BALL BEARING 6901ZZ, 24MM/OD	2	
004	669-5302	STOP RING S-12, OUTER	1	
005	668-4732	STOP RING C-24, INNER	1	
006	669-8772	BALL BEARING 608 ZZ C3	1	
007	669-5293	RETAINING RING C-TYPE D22	1	
008	668-8643	GREASE NIPPLE COMP.	3	
011	669-5042	HEX. HOLE BOLT 5X10	1	
012	668-4709	HEX.HOLE BOLT M5X25/S	1	
013	669-5078	HEX. HOLE BOLT 6X12	2	
014	668-4822	SPECIAL WASHER B	2	
015	669-5981	GEAR CASE B	1	
016	669-5528	BALL BEARING #6000ZZ, 26MM/OD	1	
017	669-5294	RETAINING RING C-TYPE D26	1	
019	669-5310	RETAINING RING E-TYPE D6	1	
020	668-9167	GEAR CASE COVER (A)	1	
022	669-5035	HEX HOLE BOLT 4X8	2	
023	669-8772	BALL BEARING 608 ZZ C3	1	
024	669-5293	RETAINING RING C-TYPE D22	1	
026	668-8089	HANDLE	1	
029	669-5079	HEX HOLE BUTTON SCREW 6X15	2	
030	668-6669	GREASE STOP (D)	1	
035	669-6411	GEAR SET PN	1	
036	669-1200	HANDLE KNOB A COMP.	1	
041	669-5016	PLUS BOLT 6X14	1	
042	669-5175	LOCK NUT 6 UPS-P	1	
043	669-0744	SUPPORT PLATE	1	
044	668-6659	GREASE STOP (B)	1	
046	668-4639	BOLT WASHER 6	1	

S29-03 BLADE (CG-HT)



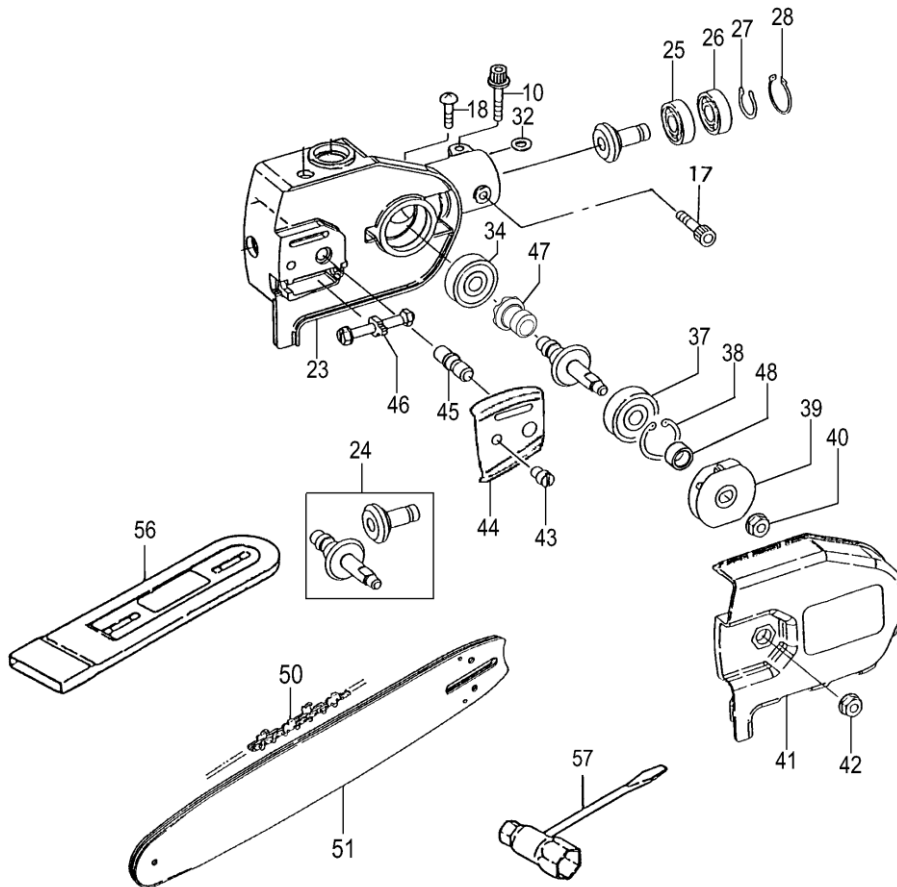
REF. NUMBER	SERVICE CODE No.	DESCRIPTION	Q'TY	REMARKS /SERIAL NO.
S29-03 BLADE (CG-HT)				
001	668-6790	CAM SHAFT COMP.	1	
002	668-6809	CAM ROD	2	
003	668-6611	CAM-ROD GUIDE PLATE	2	
004	668-7125	CUTTER GUIDE 625.5MM	1	
005	668-7079	CUTTER (A)	2	
006	668-7158	FIXING BOLT A M6	1	
007	668-7187	WASHER 7 BLACK	4	
008	669-5170	FLANGE NUT 6	3	
009	669-5073	HEX HOLE FLUSH SCREW 6X16	1	
010	668-6647	GREASE STOP (A)	2	
011	668-6826	CAM ROD PLATE	1	
012	668-9173	GEAR CASE COVER (B)	1	
013	669-5547	BALL BEARING 608 ZZ C3	1	
014	669-5484	HEX. HOLE BOLT 4X10S	2	
015	668-4595	HEX. SOCKET HD. BOLT (W/SP.WASHER) M4X12	6	
016	668-7301	CUTTER COVER	1	
020	668-7162	CUTTER FIXING BOLT B	3	
021	669-5075	HEX. HOLE FLUSH BOLT 6X25	1	
022	668-6666	GREASE STOP (C)	1	
023	668-8633	SPACER	1	
025	669-5175	LOCK NUT 6 UPS-P	1	
026	668-4639	BOLT WASHER 6	1	

S29-04 GEAR CASE-1(CG-PS)



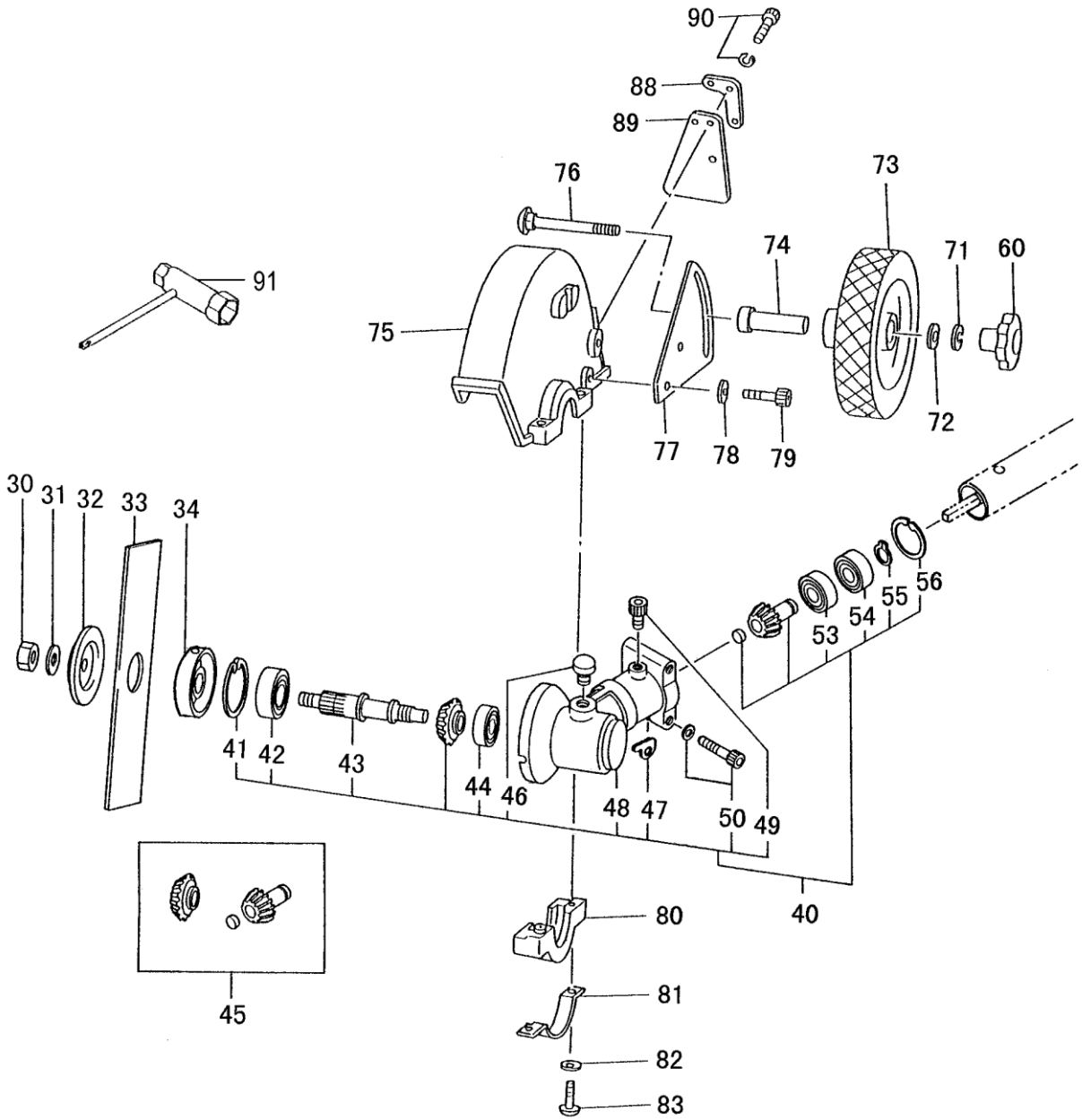
REF. NUMBER	SERVICE CODE No.	DESCRIPTION	Q'TY	REMARKS /SERIAL NO.
S29-04 GEAR CASE-1(CG-PS)				
001	668-6138	OIL TANK COVER	1	
002	668-5961	COLLAR 3	4	- EN29999
002A	669-9273	COLLAR 3	4	ED20001 -
003	669-9567	OIL TANK PACKING	1	ED20001 -
004	669-5661	O-RING P-5	1	
005	668-9757	STEP BOLT A	1	
006	668-6487	OIL PUMP COMP.	1	
007	669-5661	O-RING P-5	1	
008	669-0381	OIL PUMP SPRING	1	
009	668-6608	OIL PUMP PISTON COMP.	1	
010	669-9566	TANK PACKING ASS'Y	1	ED20001 -
011	669-2414	FUEL PIPE 3X5X60	1	
012	669-5403	SMALL SCREW 4X12WS	4	
013	668-4661	WASHER 5	1	
014	669-0917	OIL FILTER	1	
015	669-0913	FILTER ASS'Y	1	
016	669-2415	FUEL PIPE 3X5X75	1	
020	669-1066	OIL PUMP ADJUSTER	1	
021	669-5661	O-RING P-5	1	
022	669-5311	STOP RING E-6	1	
030	669-2050	OIL TANK CAP ASS'Y	1	
031	668-6637	BANJO, OIL PUMP	1	
035	669-8966	O-RING P-15	1	
040	669-5239	8 PUSH NUT	1	
055	669-5187	WASHER 2	1	
056	669-5656	O-RING 1.4	1	

S29-05 GEAR CASE-2 (CG-PS)



REF. NUMBER	SERVICE CODE No.	DESCRIPTION	Q'TY	REMARKS /SERIAL NO.
S29-05 GEAR CASE-2 (CG-PS)				
010	669-5492	HEX. HOLE BOLT 5X22/S	1	
017	669-5042	HEX. HOLE BOLT 5X10	1	
018	669-5458	SCREW 6X8	1	
023	668-5793	CASE	1	
024	668-8836	GEAR PINION SET SPARE	1	
025	668-4734	BALL BEARING 609	1	
026	668-4735	BALL BEARING 609Z ST	1	
027	669-5281	STOP RING C-9, OUTER	1	
028	668-4732	STOP RING C-24,INNER	1	
032	669-3248	STARTER PAWL WASHER	1	
034	669-5568	BALL BEARING 627 C3	1	
037	669-7603	BALL BEARING 638Z	1	
038	668-4741	STOP RING C-28,INNER	1	
039	668-9117	SPROCKET COMP.,3/8	1	
040	669-5170	FLANGE NUT 6	1	
041	668-6038	SIDE COVER COMP.	1	
042	668-7105	CHAIN BAR CLAMP NUT	1	
043	668-7130	CHAIN BAR KNOCK PIN	1	
044	669-7596	GUIDE PLATE	1	
045	668-6803	CHAIN BAR TIGHTENING BOLT	1	
046	668-7063	CHAIN TENSIONER	1	
047	669-0428	CAM	1	
048	668-5962	COLLAR	1	
050	668-7176	SAW CHAIN, 10 INCH, 3/8	1	
051	668-6882	CHAIN BAR 10	1	
056	669-4796	GUIDE BAR COVER, 10	1	
057	669-3809	COMBI. BOX SPANNER 13X19 MINUS	1	

S29-06 GEAR CASE (CG-PE)



REF. NUMBER	SERVICE CODE No.	DESCRIPTION	Q'TY	REMARKS /SERIAL NO.
S29-06 GEAR CASE (CG-PE)				
030	669-5133	NUT 8/L.H.THREAD	1	
031	668-4611	BOLT WASHER M8	1	
032	668-9047	CUTTER HOLDER CAP	1	
033	669-0193	CUTTING BLADE,205MM	1	
034	668-9024	CUTTER HOLDER	1	
040	668-8746	GEAR CASE ASS'Y, SILVER	1	
041	669-5295	STOP RING C-32, INNER	1	
042	669-5554	BALL BEARING 6201D, 32MM/OD	1	
043	668-8934	GEAR SHAFT	1	
044	669-5569	BALL BEARING 628 ST	1	
045	668-8870	GEAR-PINION SET, SPARE	1	
046	669-5437	PLUS HEAD BOLT 8X10	1	
047	668-9156	GEAR CASE WASHER	1	
048	668-8745	GEAR CASE	1	
049	669-5042	HEX. HOLE BOLT 5X10	1	
050	668-4709	HEX.HOLE BOLT M5X25/S	1	
053	668-4734	BALL BEARING 609	1	
054	668-4735	BALL BEARING 609Z ST	1	
055	669-5281	STOP RING C-9, OUTER	1	
056	668-4732	STOP RING C-24,INNER	1	
060	668-8099	LOCK HANDLE KNOB COMP.	1	
071	668-4971	S.WASHER 8	1	
072	668-4611	BOLT WASHER M8	1	
073	668-7098	WHEEL	1	
074	668-6255	COLLAR	1	
075	669-0238	BLADE GUARD	1	
076	668-9085	SPECIAL BOLT	1	
077	669-0889	WHEEL STAY	1	
078	668-4826	S.WASHER 6	2	
079	669-5079	HEX HOLE BUTTON SCREW 6X15	2	
080	669-0302	COVER BRACKET	1	
081	669-0341	BLADE GUARD HOLDER	1	
082	668-4826	S.WASHER 6	2	
083	668-4825	HEX. SOCKET HD. BOLT (W/BUTTON) M6	2	
088	669-1018	MUD FLAP HOLDER	1	
089	669-1047	MUD FLAP	1	
090	668-4667	HEX.HOLE BOLT M5X12/S	3	
091	668-4979	COMBI BOX SPANNER 13X19 PLUS	1	

REF. NUMBER	SERVICE CODE No.	DESCRIPTION	Q'TY	REMARKS /SERIAL NO.
S29-07 GEAR CASE (CG-MC)				
001	668-9818	LOCK PIN	2	
002	669-3558	SNAP PIN 8	2	
003	669-4982	BOLT 6X12	6	
004	669-5219	S.WASHER 6	6	
005	669-3557	CUTTER	2	
006	668-9035	CUTTER HOLDER	2	
007	668-8987	PROTECTION COVER	2	
008	669-5638	OIL SEAL UE15286	2	
009	668-4741	STOP RING C-28,INNER	3	
010	669-5583	BALL BEARING 6902, 28MM/OD	2	
012	668-8952	DRIVE SHAFT	1	
013	668-7078	WOOD-RUFF KEY 5X22X7X14	1	
014	668-9152	GEAR CASE CAP	1	
015	669-5531	BALL BEARING 6001ZZ, 28MM/OD	1	
016	668-5586	WORM SHAFT	1	
017	669-5614	THRUST WASHER 1226	1	
018	669-5613	THRUST NEEDLE BRG 2X4.5	1	
019	668-9151	STEP WASHER	1	
020	669-5582	BALL BEARING 6901ZZ, 24MM/OD	1	
021	669-4982	BOLT 6X12	1	
022	669-2685	DRAIN GASKET	1	
023	668-8824	GEAR CASE	1	
024	669-4982	BOLT 6X12	1	
025	669-5219	S.WASHER 6	2	
026	669-4988	BOLT 6X25	1	
027	668-8309	SPACER	1	
028	668-8886	GEAR WHEEL	1	
029	668-9116	GEAR CASE GASKET	1	
030	668-9153	GEAR CASE COVER	1	
032	669-5333	SCREW 5X10/S	4	
033	669-5020	PLUS BOLT 6X18	2	
034	669-0303	COVER BRACKET, 26 DIA.	1	
035	669-0337	GUARD HOLDER	1	
036	669-5183	SMALL WASHER 6	2	
037	669-5219	S.WASHER 6	2	
038	668-4792	NUT M6	2	
039	669-0279	GUARD	1	
042	669-5384	SCREW 5X14/PS	4	
044	668-9530	COLLAR B	1	
045	668-8629	COLLAR	1	
046	668-4766	WRENCH 8X10	1	