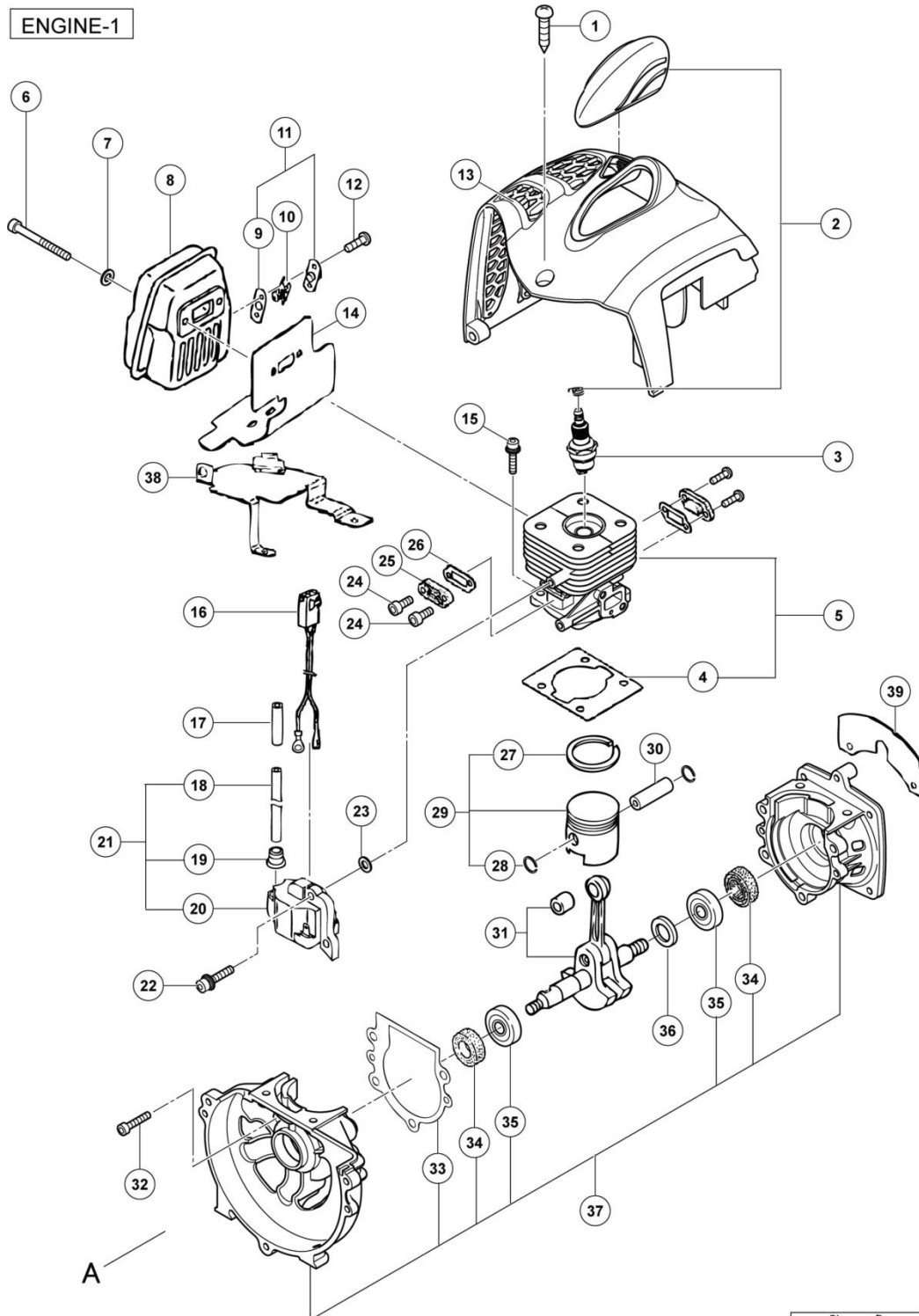


ENGINE TOOL PARTS LIST

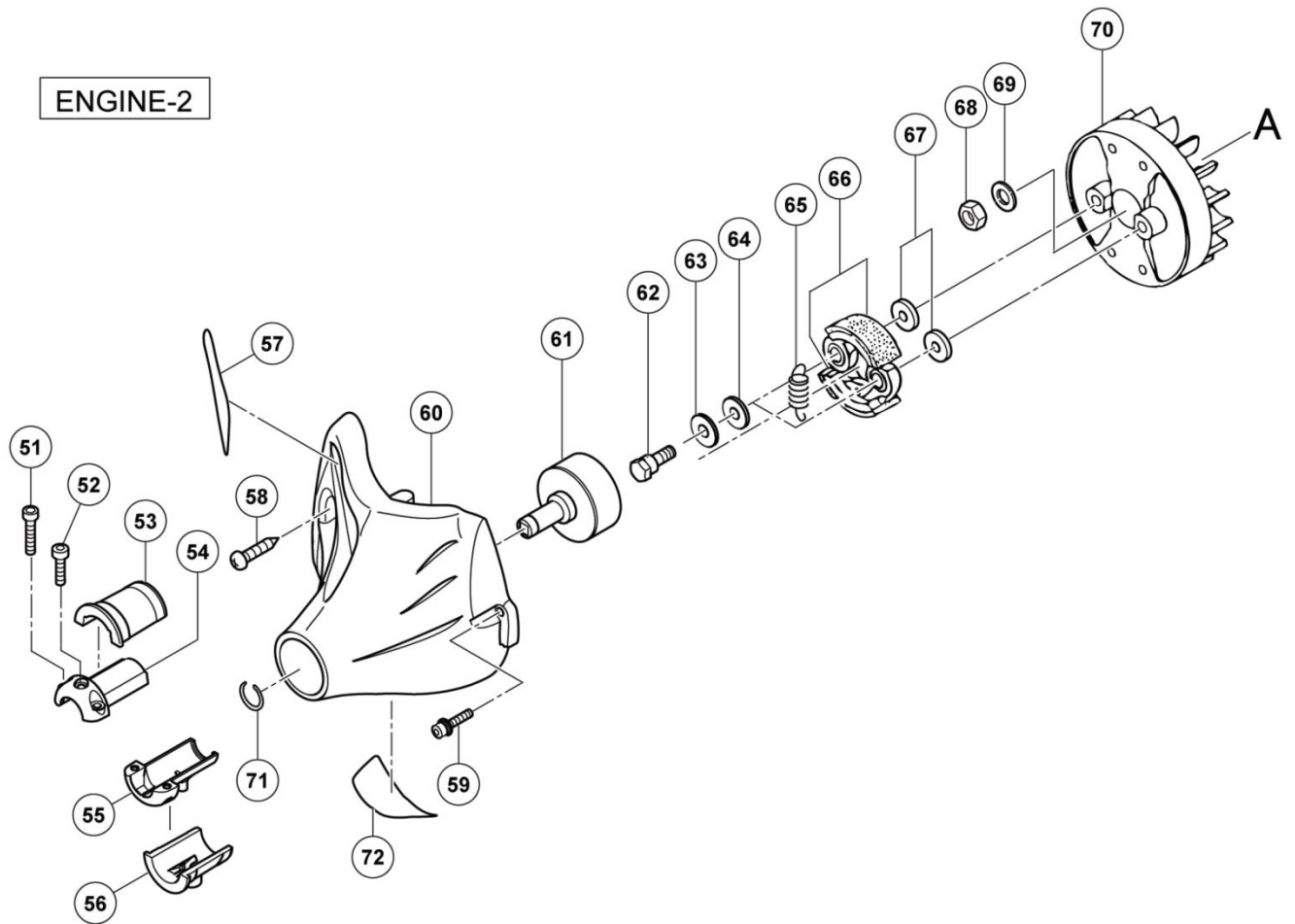
ENGINE GRASS CUTTER
Model CG24EKSL

2015 • 05 • 15
(E2a)

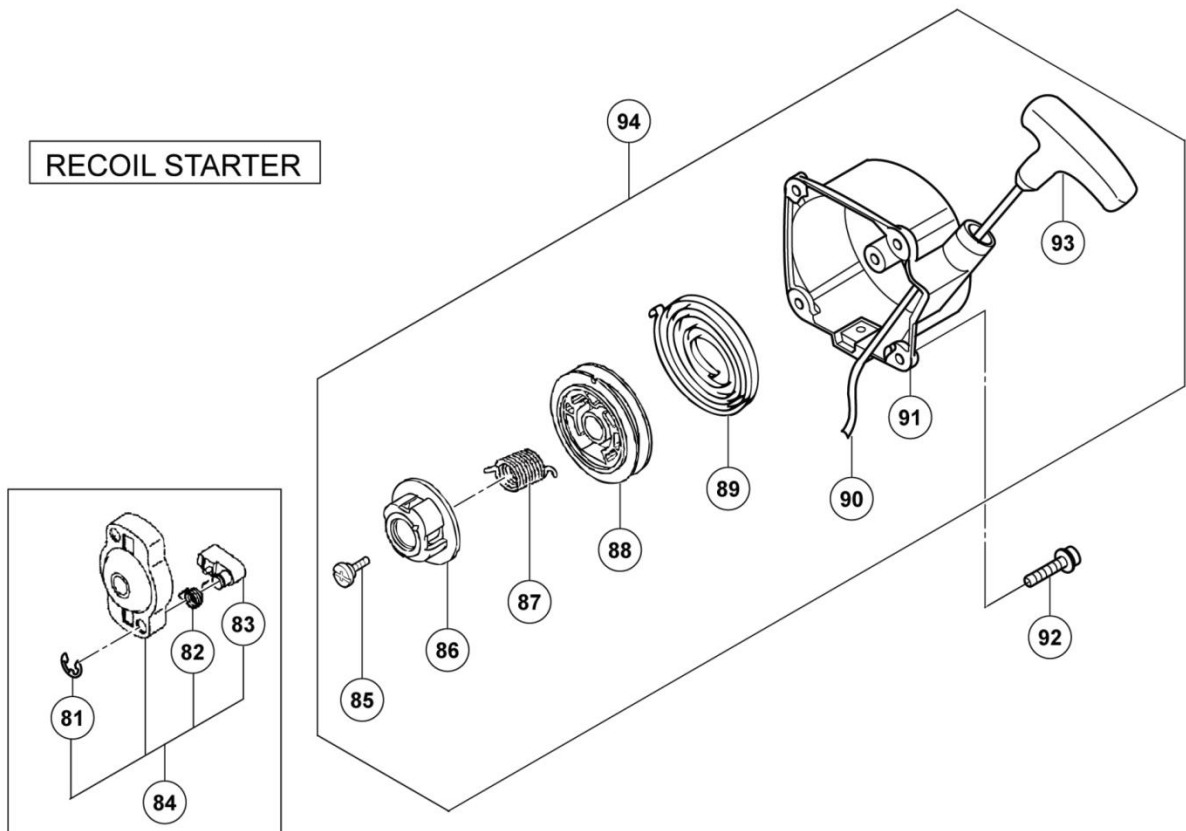


形 名
CG24EKS(1/4)

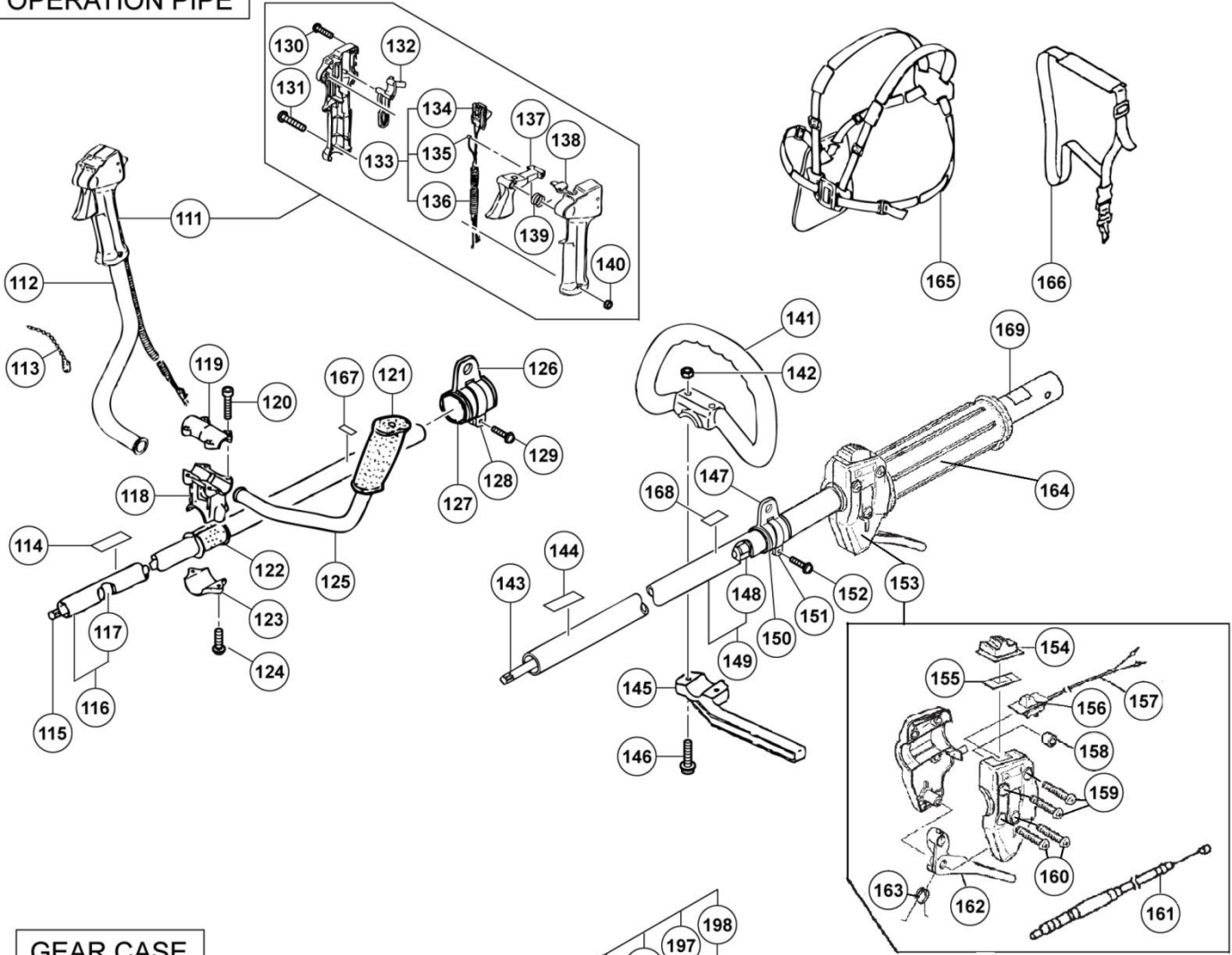
ENGINE-2



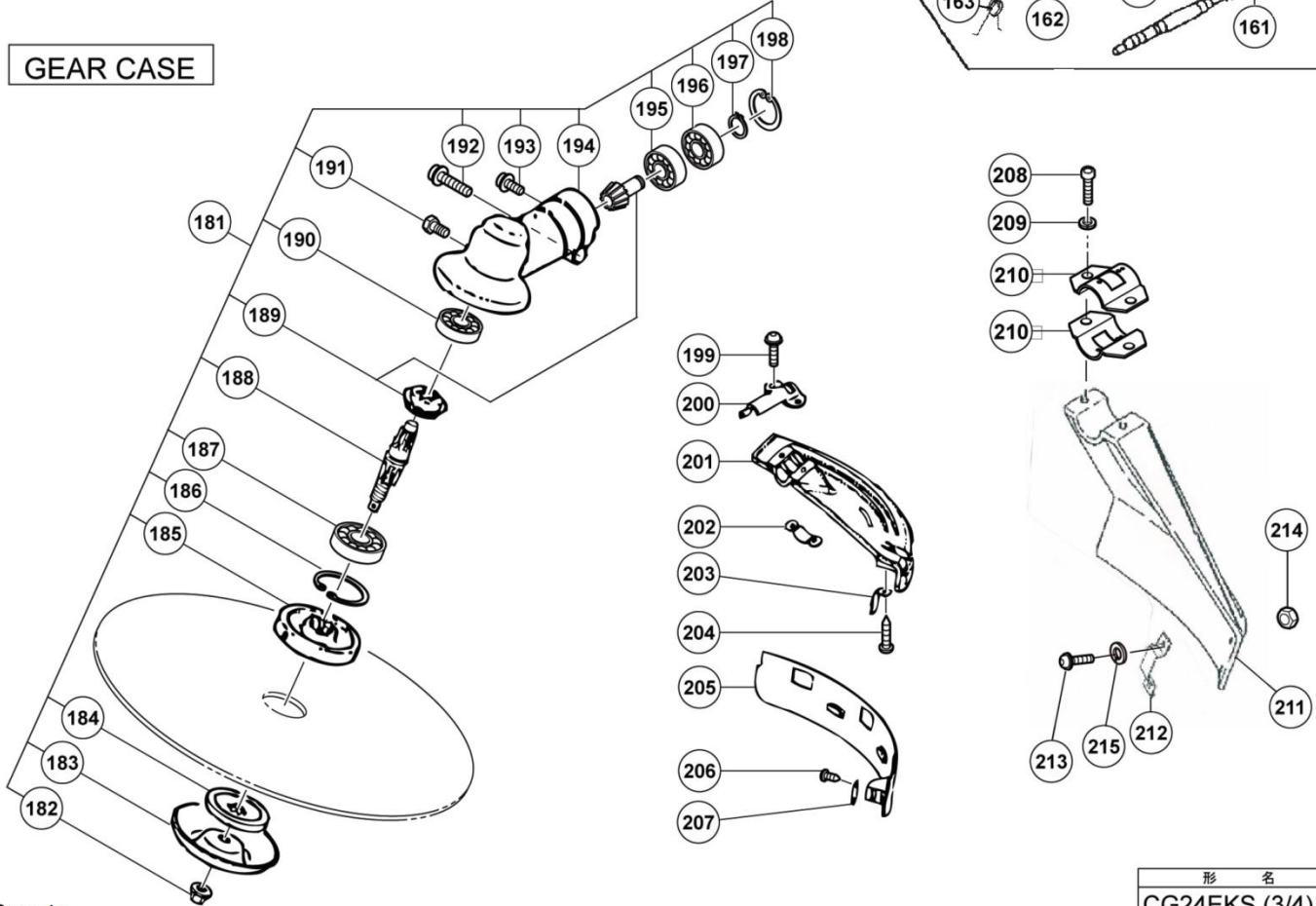
RECOIL STARTER



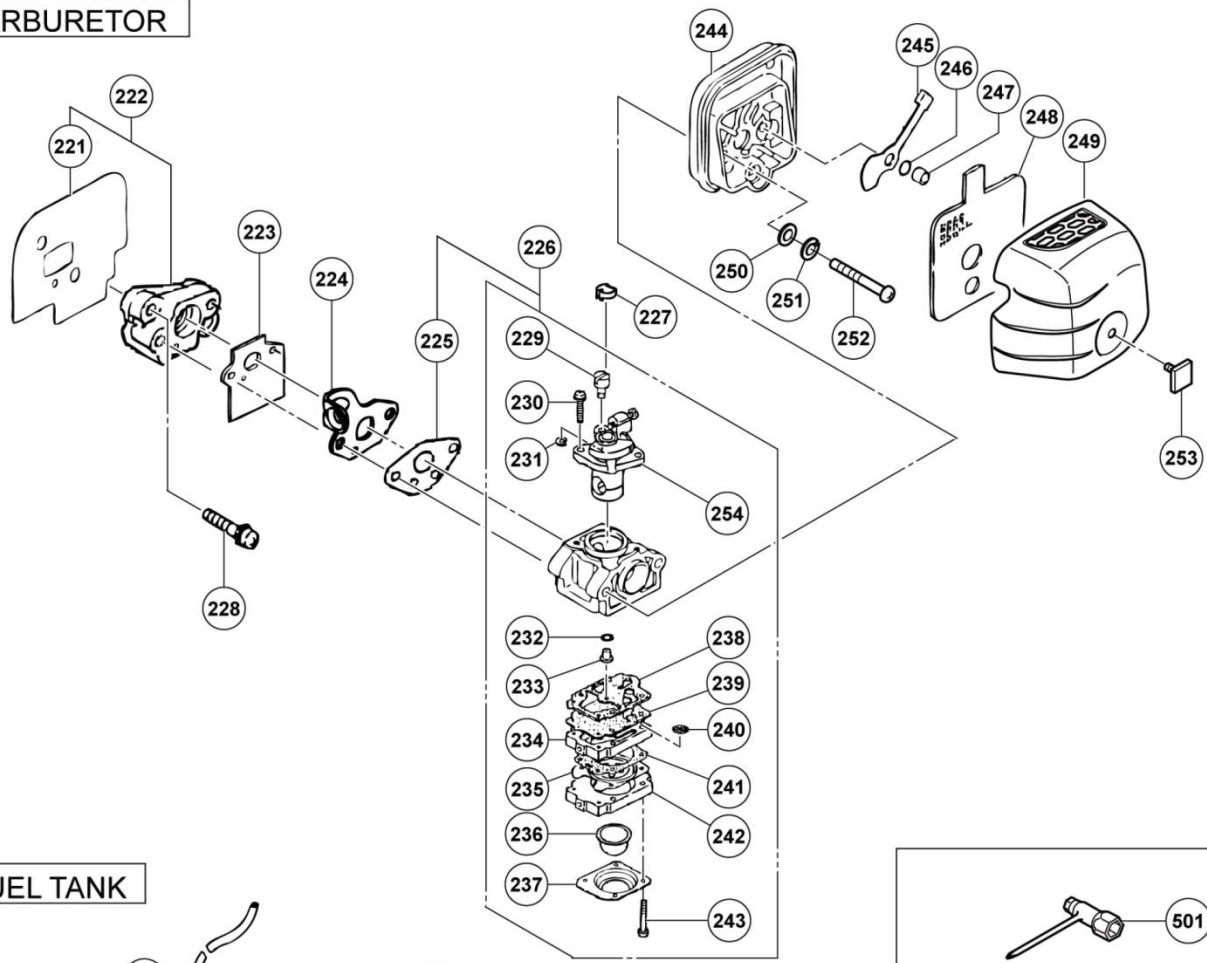
OPERATION PIPE



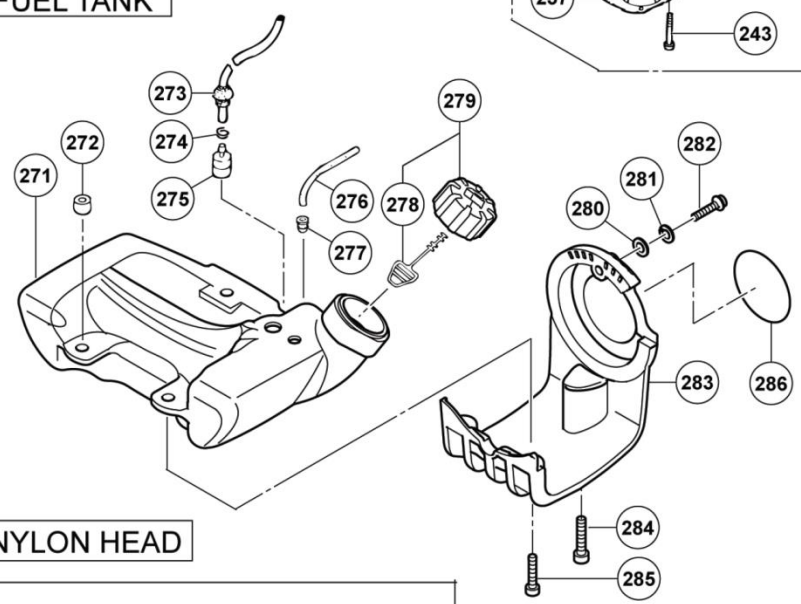
GEAR CASE



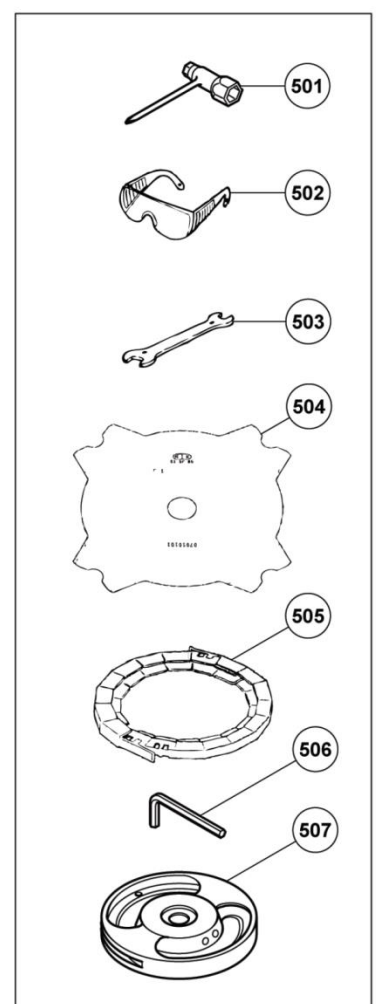
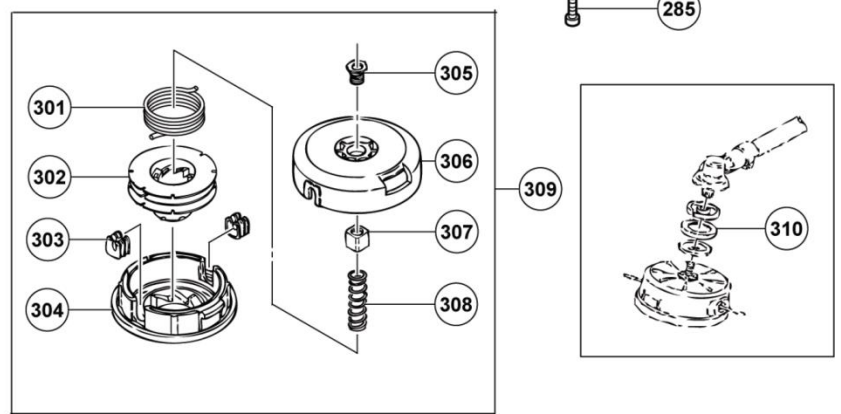
CARBURETOR



FUEL TANK



NYLON HEAD



形名
CG24EKS (4/4)

Parts

CG24EKSL

ITEM NO.	CODE NO.	DESCRIPTION	NO. USED	REMARKS
1	6684637	TAPPING SCREW D4.5X12	1	
2	6684583	SPARK PLUG CAP ASS'Y	1	
3	6684584	SPARK PLUG BMR7A	1	
4	6684587	CYLINDER GASKET	1	
5	6684585	CYLINDER SET	1	INCLUD.4
6	6684638	HEX. HOLE BOLT M6X55	2	
7	6684639	WASHER 6	2	
*8	6684640	MUFFLER COMP.	1	
9	6684650	MUFFLER SPECIAL GASKET	1	
10	6684652	SPARK ARRESTOR	1	
*11	6684649	TAIL PIPE SET	1	INCLUD.9
12	6684651	SCREW M4X8/WS	2	
13	6684635	MUFFLER PROTECTOR	1	
14	6684641	HEAT SHIELD	1	
15	6684586	HEX.HOLE BOLT M5X18/S	4	
16	6684603	LEAD WIRE ASS'Y	1	
17	6684597	INSULATOR TUBE 50L	1	
18	6684596	HIGH TENSION CORD	1	
19	6684602	RUBBER CAP	1	
20	6684598	IGNITION COIL COMP.	1	
21	6684601	IGNITION COIL ASS'Y	1	INCLUD.18-20
22	6684599	HEX.HOLE BOLT M4X18/WS	2	
23	6684600	WASHER	2	
24	6684595	HEX.HOLE BOLT M4X12/S	4	
25	6684594	INTAKE COVER	2	
26	6684593	COVER PACKING	2	
27	6684588	PISTON RING	2	
28	6684590	PISTON PIN CIR CLIP	2	
29	6684589	PISTON SET	1	INCLUD.27.28
30	6684591	PISTON PIN	1	
31	6684592	CRANK SHAFT COMP.	1	
32	6684586	HEX.HOLE BOLT M5X18/S	4	
33	6684609	CRANK CASE GASKET	1	
34	6684607	OIL SEAL TB 12227	2	
35	6684608	BALL BEARING 6001 C3	2	
36	6684604	GEAR SHAFT SHIM 0.20	1	
36	6684605	GEAR SHAFT SHIM 0.30	1	
37	6684606	CRANK CASE ASS'Y	1	INCLUD.33-35
38	6684844	HEAT SHIELD B COMP.	1	
39	6684845	PARTITION PLATE	1	
51	6684668	HEX.HOLE BOLT M5X20/S	2	
52	6684667	HEX.HOLE BOLT M5X12/S	1	
53	6684666	ANTI-VIBE RUBBER A	1	
54	6684670	PIPE HOLDER A	1	
55	6684671	PIPE HOLDER B	1	
56	6684665	ANTI-VIBE RUBBER B	1	
57	6684846	SYMBOL MARK HITACHI	1	
58	6684636	TAPPING SCREW D4.5X16	1	
59	6684647	HEX.HOLE BOLT M5X18/WS	3	
60	6684669	FAN CASE COMP. (ORANGE)	1	
*60	6698343	FAN CASE COMP. (GREEN)	1	FOR USA
61	6684663	CLUTCH DRUM COMP.	1	
62	6684646	STEP BOLT	2	
63	6684648	BENT WASHER 8	2	
64	6684645	CLUTCH PLATE A 0.5	2	
65	6684644	CLUTCH SPRING	1	
66	6684643	CLUTCH SHOE COMP.	2	
67	6684642	CLUTCH WASHER B	2	
68	6684612	HEX.NUT M8	1	
69	6684611	WASHER M8	1	
70	6684610	MAGNETO ROTOR COMP.	1	

Parts

CG24EKSL

ITEM NO.	CODE NO.	DESCRIPTION	NO. USED	REMARKS
71	6684664	STOP RING C-12 OUTER	1	
72		CAUTION MARK	1	
81	6684683	STOP RING E-5	2	
82	6684684	STARTER PAWL SPRING	2	
83	6684685	STARTER PAWL	2	
84	6684681	STARTER PULLEY ASS'Y	1	INCLUD.81-83
85	6684679	SET SCREW	1	
86	6684678	CAM PLATE	1	
87	6684677	DUMPER SPRING	1	
88	6684676	STARTER ROPE REEL	1	
89	6684675	RECOIL SPRING	1	
90	6684674	STARTER ROPE 3.5X860	1	
91	6684673	RECOIL STARTER BODY COMP.	1	
92	6684682	HEX.HOLE BOLT 4X15/PS	4	
93	6684680	STARTER HANDLE	1	
94	6684672	RECOIL STARTER BODY ASS'Y	1	INCLUD.85-91.93
111	6684720	THROTTLE LEVER ASS'Y	1	INCLUD.130-133.137-140 FOR (S) TYPE
112	6684719	RIGHT HANDLE	1	FOR (S) TYPE
113	6684715	CLAMP B.	3	FOR (S) TYPE
114	6684850	CAUTION MARK 9900RPM	1	FOR (S) TYPE
115	6684701	DRIVE SHAFT	1	FOR (S) TYPE
116	6684702	DRIVE SHAFT PIPE COMP. 1500L	1	INCLUD.117 FOR (S) TYPE
117	6684703	BUSHING	5	FOR (S) TYPE
118	6684711	HANDLE BRACKET B	1	FOR (S) TYPE
119	6684710	HANDLE BRACKET A	1	FOR (S) TYPE
120	6684709	HEX.HOLE BOLT M5X25/S	4	FOR (S) TYPE
121	6684708	HANDLE GRIP	1	FOR (S) TYPE
122	6684712	HANDLE BRACKET RUBBER	1	FOR (S) TYPE
123	6684713	HANDLE BRACKET C	1	FOR (S) TYPE
124	6684714	HEX.HOLE BUTTON SCREW 6X25S	2	FOR (S) TYPE
125	6684716	LEFT HANDLE	1	FOR (S) TYPE
126	6684705	HANGER	1	FOR (S) TYPE
127	6684704	HANGER COLLAR	1	FOR (S) TYPE
128	6684706	HANGER FIXING BRACKET	1	FOR (S) TYPE
129	6684709	HEX.HOLE BOLT M5X25/S	1	FOR (S) TYPE
130	6684725	SCREW M4X20 (BLACK)	2	FOR (S) TYPE
131	6684726	SCREW 5X30 (BLACK)	1	FOR (S) TYPE
132	6684721	SAFETY LEVER	1	FOR (S) TYPE
133	6684730	THROTTLE WIRE COMP.	1	INCLUD.134-136 FOR (S) TYPE
134	6684728	STOP BUTTON COMP.	1	FOR (S) TYPE
135	6684729	THROTTLE WIRE	1	FOR (S) TYPE
136	6684717	PROTECTION TUBE 7X870L	1	FOR (S) TYPE
137	6684723	THROTTLE LEVER	1	FOR (S) TYPE
138	6684724	BLIND PLUG	1	FOR (S) TYPE
139	6684722	RETURN SPRING	1	FOR (S) TYPE
140	6684727	CONTAL NUT 5	1	FOR (S) TYPE
141	6684836	HANDLE	1	FOR (SL) TYPE
142	6684835	HEX.NUT 6	2	FOR (SL) TYPE
143	6684701	DRIVE SHAFT	1	FOR (SL) TYPE
144	6684850	CAUTION MARK 9900RPM	1	FOR (SL) TYPE
145	6684837	BARRIER(BLACK)	1	FOR (SL) TYPE
146	6684838	BOLT 6X43/P (BLACK)	2	FOR (SL) TYPE
147	6684705	HANGER	1	FOR (SL) TYPE
148	6684703	BUSHING	5	FOR (SL) TYPE
149	6684702	DRIVE SHAFT PIPE COMP. 1500L	1	INCLUD.148 FOR (SL) TYPE
150	6684704	HANGER COLLAR	1	FOR (SL) TYPE
151	6684706	HANGER FIXING BRACKET	1	FOR (SL) TYPE
152	6684709	HEX.HOLE BOLT M5X25/S	1	FOR (SL) TYPE
153	6685036	THROTTLE LEVER ASS'Y	1	INCLUD.154-163
154	6695817	STOP SWITCH	1	FOR (SL) TYPE
155	6695820	SWITCH PLATE	1	FOR (SL) TYPE
156	6695819	EARTH PLATE	1	FOR (SL) TYPE

Parts

CG24EKSL

ITEM NO.	CODE NO.	DESCRIPTION	NO. USED	REMARKS
157	6695821	CORD ASS'Y	1	FOR (SL) TYPE
158	6695823	INSULATOR TUBE	1	FOR (SL) TYPE
159	6685076	MACHINE SCREW M5X30	1	FOR (SL) TYPE
160	6694896	SCREW 5X25	1	FOR (SL) TYPE
161	6685025	THROTTLE WIRE COMPLETE	1	FOR (SL) TYPE
162	6695816	THROTTLE LEVER	1	FOR (SL) TYPE
163	6695818	RETURN SPRING	1	FOR (SL) TYPE
164	6685035	SHAFT GRIP	1	FOR (SL) TYPE
165	6684718	SHOULDER BELT CR DOUBLE	1	FOR (S) TYPE
166	6684839	SHOULDER BELT SINGLE	1	FOR (SL) TYPE
167	6684851	LEVEL MARK	1	FOR (S) TYPE
168	6684852	LEVEL MARK	1	FOR (SL) TYPE
169	6684851	LEVEL MARK	1	FOR (SL) TYPE
181	6684731	GEAR CASE ASS'Y 24	1	INCLUD.182-198
182	6684745	FIXING NUT L M10X1.25	1	
183	6684743	PROTECTION COVER	1	
184	6684744	CUTTER HOLDER CAP	1	
185	6684742	CUTTER HOLDER	1	
186	6684741	STOP RING C-28.INNER	1	
187	6684740	BALL BEARING 6001DD.28MM/OD	1	
188	6684739	GEAR SHAFT	1	
189	6684752	GEAR PINION SET	1	
190	6684738	BALL BEARING #608.22MM/OD	1	
191	6684737	BOLT (W/PLUS) M6X8	1	
192	6684973	HEX.HOLE BOLT M5X30/WS	1	
193	6684667	HEX.HOLE BOLT M5X12/S	1	
194	6684736	GEAR CASE 24	1	
195	6684734	BALL BEARING 609	1	
196	6684735	BALL BEARING 609Z ST	1	
197	6684733	STOP RING 9	1	
198	6684732	STOP RING C-24.INNER	1	
199	6684714	HEX.HOLE BUTTON SCREW 6X25S	2	
200	6684746	COVER BRACKET	1	
201	6684747	BLADE GUARD 24 CE	1	
202	6684748	SAFETY COVER HOLDER	1	
203	6684754	KNIFE	1	
204	6684753	TAPPING SCREW 5X20	1	
205	6684749	COVER GUARD	1	
206	6684751	TAPPING SCREW 4X14	1	
207	6684750	KNIFE	1	
208	6685064	HEX. SOCKET HD. BOLT (W/BUTTON) M6X20	2	FOR USA
209	6684826	S.WASHER 6	2	FOR USA
210	6685065	SAFETY GUARD BRACKET	2	FOR USA
211	6696583	SAFETY COVER COMP.	1	FOR USA
212	6685067	KNIFE	1	FOR USA
213	6685068	MACHINE SCREW (W/SP. WASHER) M4X12	2	FOR USA
214	6685069	NUT M4	2	FOR USA
215	6685070	BOLT WASHER M4	2	FOR USA
221	6684613	INSULATOR GASKET	1	
222	6684840	INSULATOR SET	1	INCLUD.221
223	6684616	CARBURETOR GASKET	1	
224	6684629	THROTTLE WIRE FIXING PLATE	1	
225	6684615	CARBURETOR GASKET	1	
*226	6684624	CARBURETOR SET WYL-259	1	INCLUD.225.229-239.241-243
227	6684628	SWIVEL CAP	1	
228	6684617	HEX. HOLE BOLT 5X25/WS	2	
229	6684697	SWIVEL	1	
230	6684698	THROTTLE SET SCREW	2	
231	6684696	STOP RING	1	
232	6684695	O-RING	1	
*233	6684694	MAIN JET 33	1	
*233	6691873	MAIN JET 35	1	FOR NON-EMISSION AREA

Parts

ITEM NO.	CODE NO.	DESCRIPTION	NO. USED	REMARKS
234	6684686	PUMP BODY COMP.	1	INCLUDE.240
235	6684690	METERING DIAPHRAGM COMP.	1	
236	6684689	PRIMING BODY	1	
237	6684688	DIAPHRAGM COVER	1	
238	6684693	PUMP DIAPHRAGM	1	
239	6684692	PUMP GASKET	1	
240	6684700	INLET SCREEN	1	
241	6684691	DIAPHRAGM GASKET	1	
242	6684687	PRIMING PUMP COMP.	1	
243	6684699	SET SCREW	4	
244	6684656	CLEANER BODY COMP.	1	
245	6684657	CHOKE VALVE	1	
246	6684658	WAVE WASHER 8	1	
247	6684659	COLLAR 8	1	
248	6684654	AIR CLEANER ELEMENT	1	
249	6684653	CLEANER COVER	1	
250	6684661	WASHER 5	2	
251	6684662	S.WASHER 5	2	
252	6684660	SCREW M5X60	2	
253	6684655	COVER FIXING BOLT	1	
254	6684853	VALVE ASSEMBLY-THROTTLE	1	FOR NON-EMISSION AREA
271	6684621	TANK (WHITE)	1	
272	6684623	COLLAR C	3	
273	6684618	FUEL PIPE	1	
274	6684619	CLIP.6.3 DIA.	1	
275	6684620	PUMP FILTER BODY COMP.	1	
276	6684626	FUEL PIPE 3X5X65	1	
277	6684627	RETURN GROMMET	1	
278	6684625	TANK CAP CHAIN	1	
279	6684622	TANK CAP ASS'Y	1	INCLUD.278
280	6684632	WASHER 4	1	
281	6684633	S.WASHER 4	1	
282	6684631	HEX. HOLE BOLT M4X45	1	
283	6684630	STAND	1	
284	6684617	HEX. HOLE BOLT 5X25/WS	1	
285	6684634	HEX.HOLE BOLT 5X20/PS	2	
286		NAME PLATE	1	
301		NYLON CORD 2.4MMX5M	1	(S) TYPE
302	6684760	SPOOL	1	(S) TYPE
303	6684762	EYELET	2	(S) TYPE
304	6684761	CUTTING BODY CAP	1	(S) TYPE
305	6684756	MOUNTING NUT L-M10X1.25	1	(S) TYPE
306	6684757	CUTTING BODY	1	(S) TYPE
307	6684758	SPECIAL NUT	1	(S) TYPE
308	6684759	REEL SPRING	1	(S) TYPE
309	6684755	NYLON HEAD ASS'Y	1	(S) TYPE
310	6684763	WINDING PROTECTOR	1	(S) TYPE

STANDARD ACCESSORIES**CG24EKSL**

ITEM NO.	CODE NO.	DESCRIPTION	NO. USED	REMARKS
501	6684764	BOX WRENCH (HEX. SOCKET 17/19)	1	
502	6684765	SAFETY GLASSES	1	FOR EUROPE
503	6684766	WRENCH 8X10	1	
504	6684767	CUTTING BLADE 4X230. TYPE M	1	FOR EUROPE.AUS (S) TYPE
505	6684768	CUTTER COVER	1	FOR EUROPE.AUS (S) TYPE
506	6684813	HEX. BAR WRENCH 4MM	1	
507	6684855	NYLON CORD BODY	1	FOR AUS (SL) TYPE

OPTIONAL ACCESSORIES

ITEM NO.	CODE NO.	DESCRIPTION	NO. USED	REMARKS
	700208	OIL,2-CYCLE,16oz,24cs		24 16oz SELF-MEASURING BOTTLES
	700209	OIL,2-CYCLE,2.6oz,48cs		6 PACK-INNERPACK 48 BOTTLES
	700210	OIL,2-CYCLE,1 GALLON,4cs		OIL,2-CYCLE,1 GALLON,4cs
	700212	OIL,2-CYCLE,5 GALLON		5 GALLON PAIL
	700215	OIL,2-CYCLE,55 GALLON		55 GALLON DRUM
	746590	LINE,TRIMMER, .095,1LB DONUT		Green Monster Pro Round Line
	746591	LINE,TRIMMER, .105,1LB DONUT		Green Monster Pro Round Line
	746592	LINE,TRIMMER, .130,1LB DONUT		Green Monster Pro Round Line
	746599	LINE,TRIMMER, .155,1LB DONUT		Green Monster Pro Round Line
	746593	LINE,TRIMMER, .095,3LB 855FT		Green Monster Pro Round Line
	746594	LINE,TRIMMER, .105,3LB SPOOL		Green Monster Pro Round Line
	746595	LINE,TRIMMER, .105,3LB SPOOL		Green Monster Pro Round Line
	746600	LINE,TRIMMER, .155,3LB SPOOL		Green Monster Pro Round Line
	746555	LINE,TRIMMER, .080,50FT		GREEN Coil Donut package
	746556	LINE,TRIMMER, .095,40FT		ORANGE Coil Donut package
	746557	LINE,TRIMMER, .105,30FT		RED Coil Donut package
	746559	LINE,TRIMMER, .080,1/2LB,200FT		GREEN Coil Donut package
	746560	LINE,TRIMMER, .095,1/2LB,143FT		ORANGE Coil Donut package
	746561	LINE,TRIMMER, .105,1/2LB,118FT		RED Coil Donut package
	746564	LINE,TRIMMER, .080,1LB,400FT		GREEN Coil Donut package
	746565	LINE,TRIMMER, .095,1LB,285FT		ORANGE Coil Donut package
	746566	LINE,TRIMMER, .105,1LB,235FT		RED Coil Donut package