

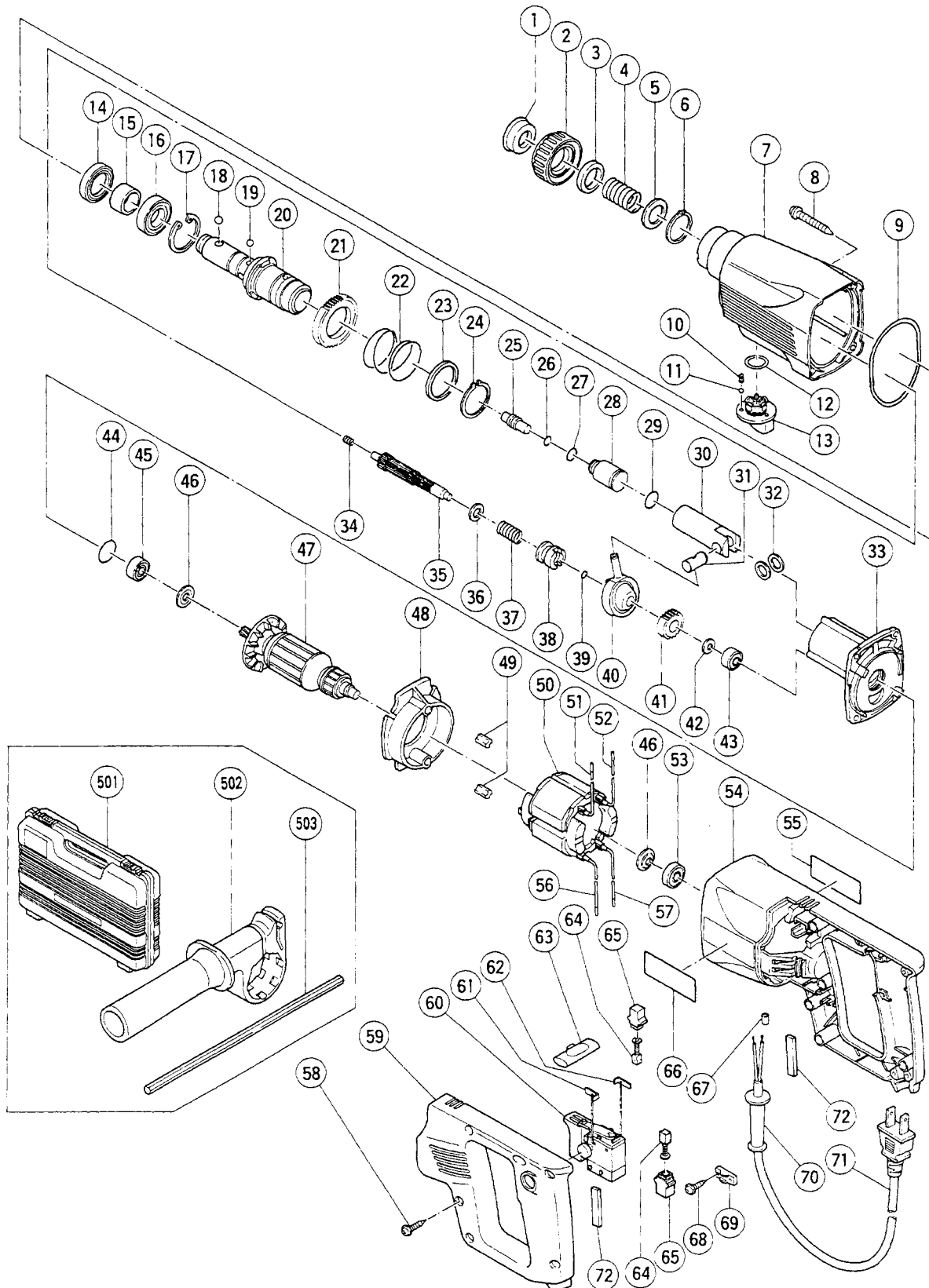
# HITACHI

LIST NO. E440

## ELECTRIC TOOL PARTS LIST

■ HAMER DRILL  
Model DH 24PE

1997・8・30  
(E1)



## PARTS

DH 24PE

| ITEM NO. | CODE NO. | DESCRIPTION                            | NO. USED | REMARKS         |
|----------|----------|--|----------|-----------------|
| 1        | 306-345  | FRONT CAP                              | 1        |                 |
| 2        | 306-992  | GRIP                                   | 1        |                 |
| 3        | 306-343  | BALL HOLDER                            | 1        |                 |
| 4        | 306-342  | HOLDER SPRING                          | 1        |                 |
| 5        | 984-118  | WASHER (B)                             | 1        |                 |
| 6        | 939-547  | RETAINING RING FOR D20 SHAFT (10 PCS.) | 1        |                 |
| 7        | 314-876  | GEAR COVER                             | 1        |                 |
| 8        | 301-654  | TAPPING SCREW (W/FLANGE) D5X35         | 4        |                 |
| 9        | 314-881  | O - RING                               | 1        |                 |
| 10       | 981-328  | SPRING (H)                             | 1        |                 |
| 11       | 959-155  | STEEL BALL D3.97 (10 PCS.)             | 1        |                 |
| 12       | 314-878  | O - RING                               | 1        |                 |
| 13       | 314-877  | CHANGE LEVER                           | 1        |                 |
| 14       | 307-688  | OIL SEAL                               | 1        |                 |
| 15       | 307-690  | SLEEVE                                 | 1        |                 |
| 16       | 690-4CM  | BALL BEARING 6904CM                    | 1        |                 |
| 17       | 986-147  | RETAINING RING FOR D37 HOLE            | 1        |                 |
| 18       | 959-156  | STEEL BALL D7.0 (10 PCS.)              | 1        |                 |
| 19       | 959-154  | STEEL BALL D5.556 (10 PCS.)            | 3        |                 |
| 20       | 314-882  | CYLINDER                               | 1        |                 |
| 21       | 301-677  | SECOND GEAR                            | 1        |                 |
| 22       | 301-678  | SPRING (A)                             | 1        |                 |
| 23       | 301-679  | WASHER (A)                             | 1        |                 |
| 24       | 948-310  | RETAINING RING FOR D30 SHAFT           | 1        |                 |
| 25       | 301-671  | SECOND HAMMER                          | 1        |                 |
| 26       | 301-672  | O - RING (B)                           | 1        |                 |
| 27       | 301-680  | O - RING (FPM 810)                     | 1        |                 |
| 28       | 315-148  | STRIKER                                | 1        |                 |
| 29       | 301-670  | O - RING (A)                           | 1        |                 |
| 30       | 301-668  | PISTON                                 | 1        |                 |
| 31       | 301-666  | PISTON PIN                             | 1        |                 |
| 32       | 301-667  | WASHER (C)                             | 2        |                 |
| 33       | 314-880  | INNER COVER                            | 1        |                 |
| 34       | 301-664  | SPRING (B)                             | 1        |                 |
| 35       | 301-658  | SECOND SHAFT                           | 1        |                 |
| 36       | 301-659  | WASHER (B)                             | 1        |                 |
| 37       | 301-660  | CLUTCH SPRING                          | 1        |                 |
| 38       | 301-661  | CLUTCH                                 | 1        |                 |
| 39       | 992-912  | O - RING (S - 8)                       | 1        |                 |
| 40       | 306-990  | RECIPROCATING BEARING                  | 1        |                 |
| 41       | 301-665  | FIRST GEAR                             | 1        |                 |
| 42       | 301-663  | SPACER                                 | 1        |                 |
| 43       | 626-VVM  | BALL BEARING 626VVMC2ERPS2S            | 1        |                 |
| 44       | 876-796  | O - RING (P - 22)                      | 1        |                 |
| 45       | 608-DDM  | BALL BEARING 608DDMC2EPS2S             | 1        |                 |
| 46       | 982-631  | WASHER (A)                             | 2        |                 |
| 47       | 360-446U | ARMATURE ASS'Y 110V - 115V             | 1        | INCLUD.45,46,53 |
| 48       | 314-879  | FAN GUIDE ASS'Y                        | 1        | INCLUD.49       |
| 49       | 994-343  | RUBBER BUSHING                         | 2        |                 |
| 50       | 340-398C | STATOR 110V - 115V                     | 1        |                 |
| 51       | 314-902  | INTERNAL WIRE(A)                       | 1        |                 |

\*: ALTERNATIVE PARTS

**PARTS**

DH 24PE

| ITEM NO. | CODE NO. | DESCRIPTION                            | NO. USED | REMARKS           |
|----------|----------|--|----------|-------------------|
| 52       | 314-900  | INTERNAL WIRE(A)                       | 1        |                   |
| 53       | 608-VVM  | BALL BEARING 608VVMC2EPS2L             | 1        |                   |
| 54       | 314-897  | HOUSING                                | 1        |                   |
| 55       |          | NAME PLATE                             | 1        |                   |
| 56       | 314-899  | INTERNAL WIRE(A)                       | 1        |                   |
| 57       | 314-901  | INTERNAL WIRE(A)                       | 1        |                   |
| 58       | 301-653  | TAPPING SCREW (W/FLANGE) D4X20 (BLACK) | 5        |                   |
| 59       | 314-898  | HANDLE COVER                           | 1        |                   |
| 60       | 314-894  | SPEED CONTROL SWITCH (2P)              | 1        |                   |
| 61       | 314-895  | INTERNAL WIRE(B)                       | 1        |                   |
| 62       | 314-896  | INTERNAL WIRE(B)                       | 1        |                   |
| 63       | 313-163  | PUSHING BUTTON                         | 1        |                   |
| 64       | 999-041  | CARBON BRUSH (1 PAIR)                  | 1        |                   |
| 64       | 999-072  | CARBON BRUSH (AUTO STOP TYPE) (1 PAIR) | 1        |                   |
| 65       | 955-203  | BRUSH HOLDER                           | 2        |                   |
| 66       |          | HITACHI LABEL                          | 1        |                   |
| 67       | 981-373  | TUBE (D)                               | 2        |                   |
| 68       | 984-750  | TAPPING SCREW (W/FLANGE) D4X16         | 2        |                   |
| 69       | 937-631  | CORD CLIP                              | 1        |                   |
| 70       | 953-327  | CORD ARMOR D8.8                        | 1        |                   |
| 71       | 500-249Z | CORD                                   | 1        | (CORD ARMOR D8.8) |
| 72       | 315-147  | DUST PACKING                           | 2        |                   |

**STANDARD ACCESSORIES**

| ITEM NO. | CODE NO. | DESCRIPTION | NO. USED | REMARKS |
|----------|----------|-------------|----------|---------|
| * 501    | 310-905  | CASE        | 1        | FOR USA |
| * 502    | 303-659  | SIDE HANDLE | 1        | FOR USA |
| * 503    | 310-331  | DEPTH GAUGE | 1        | FOR USA |

**OPTIONAL ACCESSORIES**

| ITEM NO. | CODE NO. | DESCRIPTION                          | NO. USED | REMARKS        |
|----------|----------|--------------------------------------|----------|----------------|
| 601      | 306-369  | DRILL BIT (SLENDER SHAFT) D3.4X90    | 1        |                |
| 602      | 306-368  | DRILL BIT (SLENDER SHAFT) D3.5X90    | 1        |                |
| 603      | 306-370  | ADAPTER FOR SLENDER SHAFT (SDS PLUS) | 1        |                |
| 604      | 944-460  | TAPER SHANK DRILL BIT D11X100        | 1        |                |
| 605      | 944-461  | TAPER SHANK DRILL BIT D12.3X110      | 1        |                |
| 606      | 993-038  | TAPER SHANK DRILL BIT D12.7X110      | 1        |                |
| 607      | 944-462  | TAPER SHANK DRILL BIT D14.3X110      | 1        |                |
| 608      | 944-500  | TAPER SHANK DRILL BIT D14.5X110      | 1        |                |
| 609      | 944-463  | TAPER SHANK DRILL BIT D17.5X120      | 1        |                |
| 610      | 944-464  | TAPER SHANK DRILL BIT D21.5X140      | 1        |                |
| 611      | 303-617  | TAPER SHANK ADAPTER (SDS PLUS) NO.1  | 1        |                |
| 612      | 303-618  | TAPER SHANK ADAPTER (SDS PLUS) NO.2  | 1        |                |
| 613      | 303-619  | A – TAPER SHANK ADAPTER (SDS PLUS)   | 1        |                |
| 614      | 303-620  | B – TAPER SHANK ADAPTER (SDS PLUS)   | 1        |                |
| 615      | 944-477  | COTTER                               | 1        |                |
| 616      | 303-332  | HAMMER DRILL CHUCK SET 13MM          | 1        | INCLUD.617.618 |
| 617      | 303-334  | CHUCK HANDLE                         | 1        |                |
| 618      | 303-335  | RUBBER CAP                           | 1        |                |

\* : ALTERNATIVE PARTS

**OPTIONAL ACCESSORIES**

**DH 24PE**

| ITEM NO. | CODE NO. | DESCRIPTION                              | NO. USED | REMARKS          |
|----------|----------|--|----------|------------------|
| 619      | 982-684  | CENTER PIN (A)                           | 1        |                  |
| 620      | 982-685  | CENTER PIN (B)                           | 1        |                  |
| 621      | 982-672  | CORE BIT (A) 25MM                        | 1        |                  |
| 622      | 982-673  | CORE BIT (A) 29MM                        | 1        |                  |
| 623      | 982-674  | CORE BIT (A) 32MM                        | 1        | INCLUD.624       |
| 624      | 982-686  | GUIDE PLATE (FOR CORE BIT 32MM)          | 1        |                  |
| 625      | 982-675  | CORE BIT (A) 35MM                        | 1        | INCLUD.626       |
| 626      | 982-687  | GUIDE PLATE (FOR CORE BIT 35MM)          | 1        |                  |
| 627      | 982-676  | CORE BIT (A) 38MM                        | 1        | INCLUD.628       |
| 628      | 982-688  | GUIDE PLATE (FOR CORE BIT 38MM)          | 1        |                  |
| 629      | 982-677  | CORE BIT (B) 45MM                        | 1        | INCLUD.630       |
| 630      | 982-689  | GUIDE PLATE (FOR CORE BIT 45MM)          | 1        |                  |
| 631      | 982-678  | CORE BIT (B) 50MM                        | 1        | INCLUD.632       |
| 632      | 982-690  | GUIDE PLATE (FOR CORE BIT 50MM)          | 1        |                  |
| 633      | 303-625  | CORE BIT SHANK (SDS PLUS) 25 - 38MM 105L | 1        |                  |
| 634      | 303-626  | CORE BIT SHANK (SDS PLUS) 25 - 38MM 300L | 1        |                  |
| 635      | 303-627  | CORE BIT SHANK (SDS PLUS) 45 - 90MM 300L | 1        |                  |
| 636      | 302-976  | ANCHOR SETTING ADAPTER A (SDS+)W1/4X280L | 1        |                  |
| 637      | 302-975  | ANCHOR SETTING ADAPTER A(SDS+)W5/16X280L | 1        |                  |
| 638      | 303-621  | ANCHOR SETTING ADAPTER A (SDS+)W3/8X180L | 1        |                  |
| 639      | 302-974  | ANCHOR SETTING ADAPTER A (SDS+)W3/8X280L | 1        |                  |
| 640      | 302-979  | ANCHOR SETTING ADAPTER B (SDS+)W1/4X280L | 1        |                  |
| 641      | 302-978  | ANCHOR SETTING ADAPTER B(SDS+)W5/16X280L | 1        |                  |
| 642      | 303-622  | ANCHOR SETTING ADAPTER B (SDS+)W3/8X180L | 1        |                  |
| 643      | 302-977  | ANCHOR SETTING ADAPTER B (SDS+)W3/8X280L | 1        |                  |
| 644      | 971-794  | ANCHOR SETTING ADAPTER A W1/4" (MANUAL)  | 1        |                  |
| 645      | 971-795  | ANCHOR SETTING ADAPTER A W5/16" (MANUAL) | 1        |                  |
| 646      | 971-796  | ANCHOR SETTING ADAPTER A W3/8" (MANUAL)  | 1        |                  |
| 647      | 971-797  | ANCHOR SETTING ADAPTER A W1/2" (MANUAL)  | 1        |                  |
| 648      | 971-798  | ANCHOR SETTING ADAPTER A W5/8" (MANUAL)  | 1        |                  |
| 649      | 971-799  | ANCHOR SETTING ADAPTER B W1/4" (MANUAL)  | 1        |                  |
| 650      | 971-800  | ANCHOR SETTING ADAPTER B W5/16" (MANUAL) | 1        |                  |
| 651      | 971-801  | ANCHOR SETTING ADAPTER B W3/8" (MANUAL)  | 1        |                  |
| 652      | 971-802  | ANCHOR SETTING ADAPTER B W1/2" (MANUAL)  | 1        |                  |
| 653      | 971-803  | ANCHOR SETTING ADAPTER B W5/8" (MANUAL)  | 1        |                  |
| 654      | 303-044  | CHEMICAL ANCHOR ADAPTER (SDS+)12.7MMX90L | 1        |                  |
| 655      | 303-045  | CHEMICAL ANCHOR ADAPTER(SDS+)19.0MMX100L | 1        |                  |
| 656      | 303-046  | BULL POINT (SDS+) 250MM(ROUND SHANK TYPE | 1        |                  |
| 657      | 303-820  | DRILL CHUCK AND ADAPTER SET (SDS PLUS)   | 1        | INCLUD.658 - 661 |
| 658      | 950-275  | DRILL CHUCK 13VLR                        | 1        |                  |
| 659      | 930-515  | CHUCK WRENCH 10G                         | 1        |                  |
| 660      | 981-122  | SPECIAL SCREW M6X22                      | 1        |                  |
| 661      | 303-623  | CHUCK ADAPTER (G) (SDS PLUS)             | 1        |                  |
| 662      | 950-272  | DRILL CHUCK 13VLA                        | 1        | INCLUD.659       |
| 663      | 303-624  | CHUCK ADAPTER (D) (SDS PLUS)             | 1        |                  |
| 664      | 971-511Z | + DRIVER BIT (A) NO.2 25L                | 1        |                  |
| 665      | 971-512Z | + DRIVER BIT (A) NO.3 25L                | 1        |                  |
| 666      | 306-885  | DUST COLLECTOR (B) ASS'Y                 | 1        | INCLUD.667       |
| 667      | 306-910  | SOCKET ADAPTOR (B)                       | 1        |                  |
| 668      | 971-787  | DUST CUP                                 | 1        |                  |
| 669      | 970-976  | J - 200 SNAP RING PLIERS                 | 1        |                  |

\*: ALTERNATIVE PARTS

