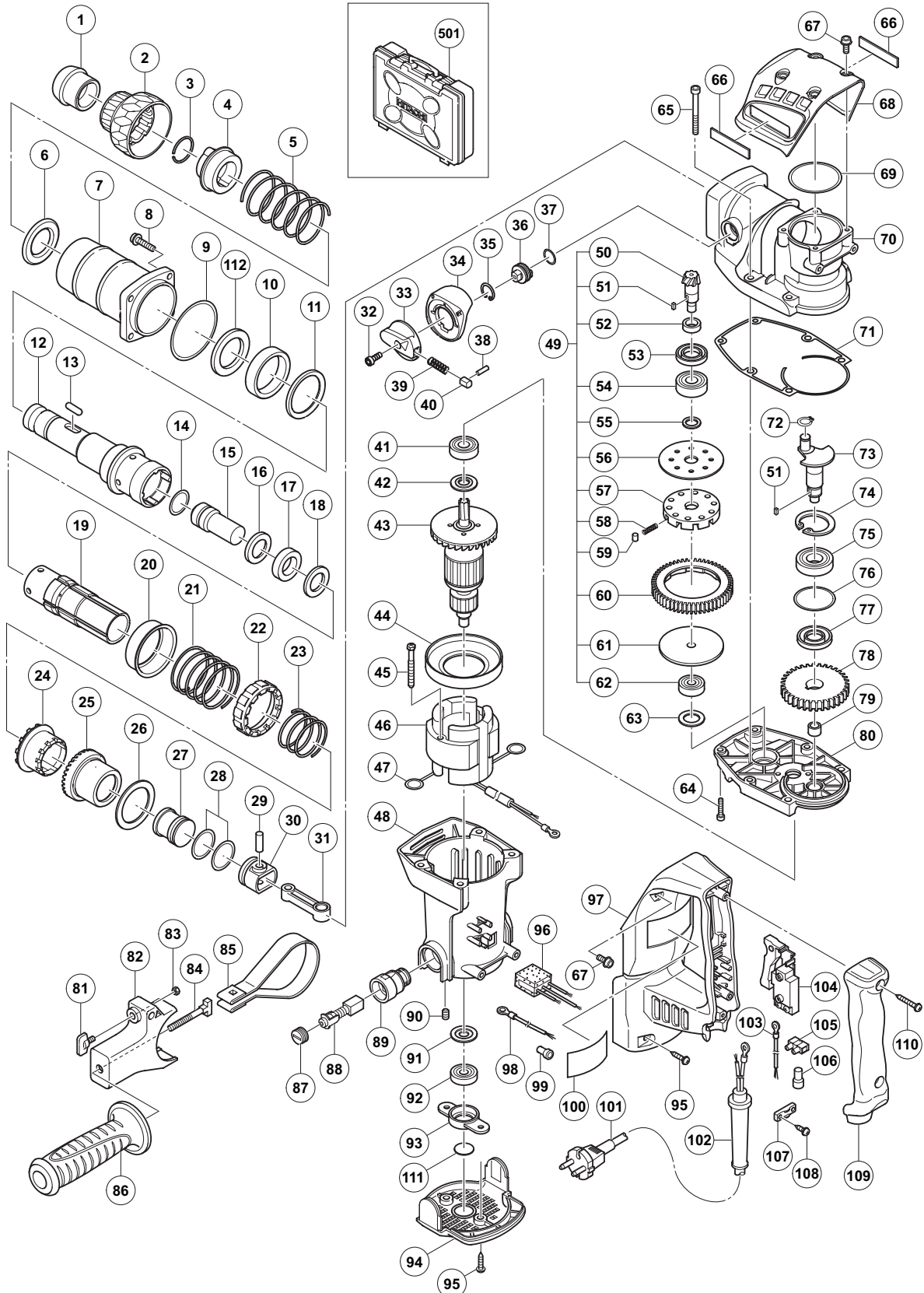


## ELECTRIC TOOL PARTS LIST

**ROTARY HAMMER**  
**Model DH 38MS**

**2009·5·26**  
**(E1)**



**PARTS**

DH 38MS

ITEM NO.	CODE NO.	DESCRIPTION	NO. USED	REMARKS
1	331-542	FRONT CAP	1	
2	331-541	GRIP	1	
3	331-540	STOPPER RING	1	
4	331-539	NEEDLE HOLDER	1	
5	331-538	RETAINER SPRING	1	
6	331-537	SPRING HOLDER (A)	1	
7	331-530	CYLINDER CASE	1	
8	991-712	HEX. SOCKET HD. BOLT (W/FLANGE) M6 X 25	4	
9	956-996	O-RING (1AS-60)	1	
10	331-531	RETAINER DAMPER	1	
11	331-532	RETAINER DAMPER WASHER	1	
12	331-524	RETAINER SLEEVE	1	
13	331-536	NEEDLE ROLLER D8 X 20	2	
14	313-396	O-RING (C)	1	
15	331-525	SECOND HAMMER	1	
16	331-224	DAMPER WASHER	1	
17	321-835	DAMPER	1	
18	331-225	DAMPER HOLDER	1	
19	331-526	CYLINDER	1	
20	331-533	SPRING HOLDER (B)	1	
21	331-534	LOCK SPRING	1	
22	331-535	LOCK SLEEVE	1	
23	331-527	CLUTCH SPRING	1	
24	331-528	CLUTCH	1	
25	331-529	BEVEL GEAR	1	
26	331-234	THRUST WASHER	1	
27	331-235	STRIKER	1	
28	986-104	O-RING	2	
29	331-221	PISTON PIN	1	
30	326-369	PISTON	1	
31	321-285	CONNECTING ROD	1	
32	983-162	SEAL LOCK HEX. SOCKET HD. BOLT M4 X 12	1	
33	331-545	CHANGE LEVER	1	
34	331-544	LEVER HOLDER	1	
35	311-229	RETAINING RING FOR D20 HOLE	1	
36	331-543	LEVER SHAFT	1	
37	873-095	O-RING (P-16)	1	
38	331-548	PIN D2 X 10	1	
39	331-546	LEVER SPRING	1	
40	321-311	PUSHING BUTTON	1	
41	620-1DD	BALL BEARING 6201DDCMPS2L	1	
42	325-003	DUST WASHER (B)	1	
* 43	360-875C	ARMATURE 110V	1	
* 43	360-875U	ARMATURE ASS'Y 120V	1	INCLUD. 41, 42, 91, 92
* 43	360-875E	ARMATURE 220V-230V	1	
* 43	360-875F	ARMATURE 240V	1	
44	331-252	FAN GUIDE	1	
45	953-174	HEX. HD. TAPPING SCREW D5 X 55	2	
* 46	340-753C	STATOR ASS'Y 110V	1	INCLUD. 47
* 46	340-753G	STATOR ASS'Y 110V	1	INCLUD. 47 FOR VEN

**PARTS**

DH 38MS

ITEM NO.	CODE NO.	DESCRIPTION	NO. USED	REMARKS
* 46	340-753D	STATOR ASS'Y 120V	1	INCLUD. 47
* 46	340-753E	STATOR ASS'Y 220V-230V	1	INCLUD. 47
* 46	340-753H	STATOR ASS'Y 220V-230V	1	INCLUD. 47 FOR THA, INA, SIN, IND
* 46	340-753J	STATOR ASS'Y 240V	1	INCLUD. 47
* 46	340-753F	STATOR ASS'Y 240V	1	INCLUD. 47 FOR AUS
47	930-703	BRUSH TERMINAL	2	
48	331-251	HOUSING ASS'Y	1	INCLUD. 89, 90
49	331-210	SLIP CLUTCH ASS'Y	1	INCLUD. 50-52, 54-62
50	331-211	BEVEL PINION	1	
51	944-109	FEATHER KEY 3 X 3 X 8	2	
52	331-212	COLLAR	1	
53	313-050	OIL SEAL (A)	1	
54	600-2DD	BALL BEARING 6002DDCMPS2L	1	
55	331-213	WASHER	1	
56	331-214	WASHER (A)	1	
57	321-281	GEAR HOLDER	1	
58	331-218	SPRING (C)	10	
59	331-217	NEEDLE	10	
60	331-215	SECOND GEAR	1	
61	331-219	SPACER	1	
62	629-VVM	BALL BEARING 629VVC2PS2L	1	
63	331-220	BEARING WASHER (C)	1	
64	992-803	SEAL LOCK HEX. SOCKET HD. BOLT M6 X 20	2	
65	986-940	SEAL LOCK HEX. SOCKET HD. BOLT M6 X 45	4	
66		HITACHI LABEL	2	
67	994-192	HEX. SOCKET HD. BOLT (W/FLANGE) M5 X 16	6	
68	331-245	CRANK COVER	1	
69	878-713	CYLINDER O-RING (B)	1	
70	331-523	CRANK CASE	1	
71	331-549	SEAL PACKING	1	
72	939-540	RETAINING RING FOR D10 SHAFT (10 PCS.)	1	
73	331-208	CRANK SHAFT	1	
74	948-391	RETAINING RING FOR D40 HOLE	1	
75	620-3DD	BALL BEARING 6203DDCMPS2L	1	
76	996-363	O-RING (S-40)	1	
77	321-274	OIL SEAL (B)	1	
78	331-209	FIRST GEAR	1	
79	939-299	NEEDLE BEARING (M661)	1	
80	331-253	GEAR COVER	1	
81	307-947	WING BOLT M6 X 12	1	
82	331-248	MOUNT	1	
83	949-556	NUT M6 (10 PCS.)	1	
84	331-247	HANDLE BOLT	1	
85	331-246	BAND	1	
86	330-209	SIDE HANDLE	1	
87	945-161	BRUSH CAP	2	
88	999-043	CARBON BRUSH (1 PAIR)	2	
89	958-900	BRUSH HOLDER	2	
90	938-477	HEX. SOCKET SET SCREW M5 X 8	2	
91	982-631	WASHER (A)	1	

**PARTS**

DH 38MS

ITEM NO.	CODE NO.	DESCRIPTION	NO. USED	REMARKS
92	608-VVM	BALL BEARING 608VVC2PS2L	1	
93	331-254	BEARING HOLDER	1	
94	331-202	TAIL COVER	1	
95	302-089	TAPPING SCREW (W/FLANGE) D5 X 20 (BLACK)	4	
* 96	331-203	NOISE SUPPRESSOR	1	EXCEPT FOR VEN, THA, INA, SIN, KUW, USA, CAN, MEX, IND
97	331-204	HANDLE	1	
* 98	330-216	INTERNAL WIRE 270L	1	EXCEPT FOR VEN, THA, INA, SIN, KUW, USA, CAN, MEX, IND
* 99	959-141	CONNECTOR 50092 (10 PCS.)	1	EXCEPT FOR USA, CAN, MEX
100		NAME PLATE	1	
* 101	500-390Z	CORD	1	(CORD ARMOR D8.2)
* 101	500-239Z	CORD	1	(CORD ARMOR D10.7) FOR VEN, THA
* 101	500-424Z	CORD	1	(CORD ARMOR D8.2) FOR SIN, KUW
* 101	500-235Z	CORD	1	(CORD ARMOR D8.2) FOR INA, IND
* 101	500-439Z	CORD	1	(CORD ARMOR D8.2) FOR, NZL, AUS
* 101	500-434Z	CORD	1	(CORD ARMOR D8.2) FOR USA, CAN, MEX
* 101	500-446Z	CORD	1	(CORD ARMOR D8.2) FOR GBR (230V)
* 101	500-454Z	CORD	1	(CORD ARMOR D8.2) FOR GBR (110V)
* 101	500-391Z	CORD	1	(CORD ARMOR D8.2) FOR SUI
* 101	500-457Z	CORD	1	(CORD ARMOR D10.7) FOR CHN
* 101	500-477Z	CORD	1	(CORD ARMOR D10.7) FOR TPE
* 101	500-475Z	CORD	1	(CORD ARMOR D8.2) FOR KOR
* 102	958-049	CORD ARMOR D8.2	1	
* 102	940-778	CORD ARMOR D10.7	1	
* 103	981-974	INTERNAL WIRE	1	EXCEPT FOR VEN, THA, INA, SIN, KUW, USA, CAN, MEX, IND
104	313-093	SWITCH (C) (2P SCREW TYPE W/O LOCK)	1	
* 105	938-307	PILLAR TERMINAL	1	EXCEPT FOR VEN, THA, INA, SIN, KUW, IND
* 106	959-141	CONNECTOR 50092 (10 PCS.)	1	EXCEPT FOR USA, CAN, MEX
107	960-266	CORD CLIP	1	
108	984-750	TAPPING SCREW (W/FLANGE) D4 X 16	2	
109	331-205	HANDLE COVER	1	
110	307-028	TAPPING SCREW (W/FLANGE) D4 X 25 (BLACK)	2	
111	331-547	DUST SEAL	1	
112	331-550	WASHER (FW)	1	

**STANDARD ACCESSORIES**

ITEM NO.	CODE NO.	DESCRIPTION	NO. USED	REMARKS
501	331-206	CASE	1	