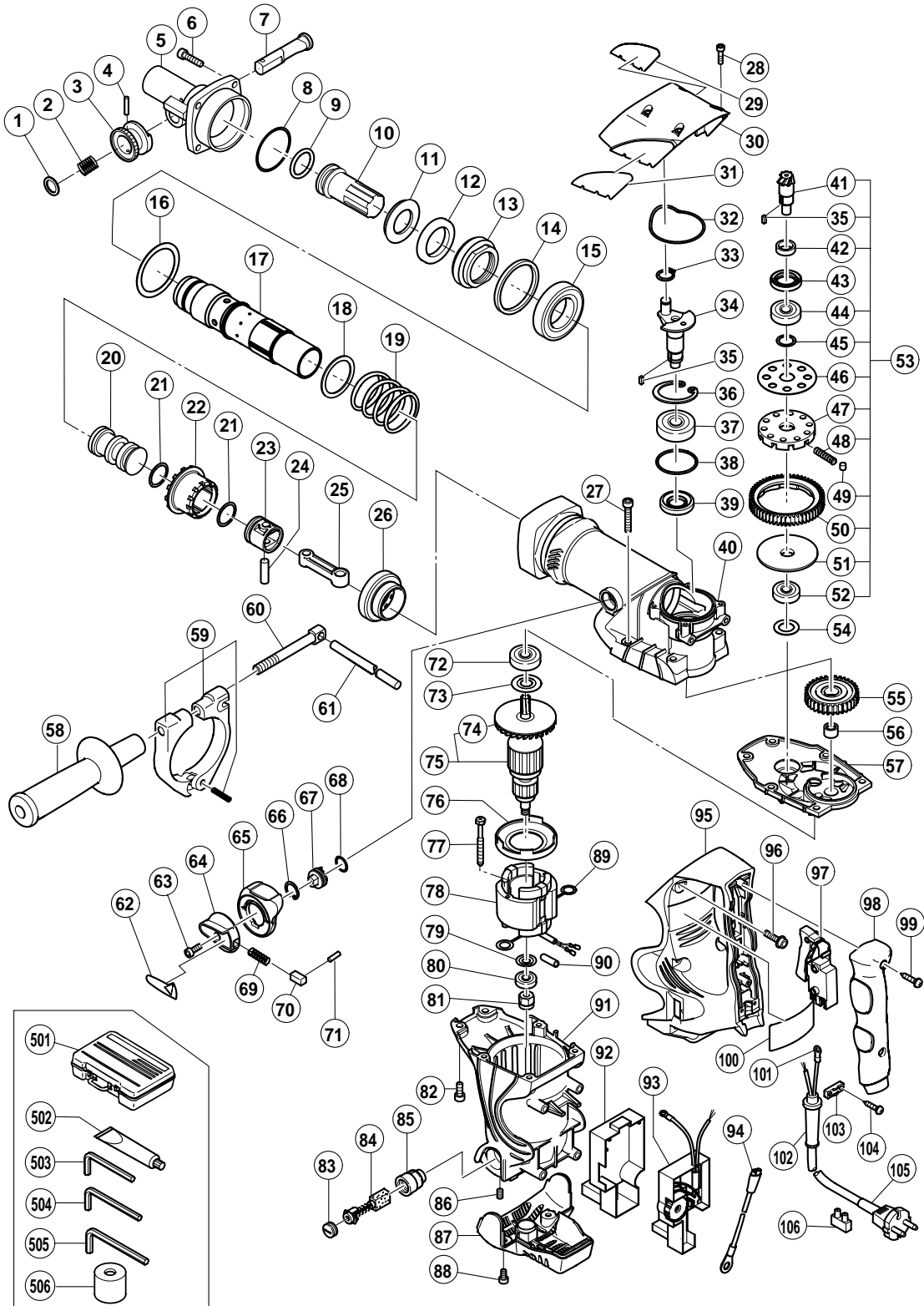


ELECTRIC TOOL PARTS LIST

■ ROTARY HAMMER
Model DH 40FR

2003 • 7 • 15
(E1)



PARTS

DH 40FR

ITEM NO.	CODE NO.	DESCRIPTION	NO. USED	REMARKS
1	983-242	STOP WASHER	1	
2	981-937	STOPPER SPRING	1	
3	983-241	KNOB (A)	1	
4	943-364	NEEDLE ROLLER D4X20	1	
5	322-159	FRONT COVER	1	
6	981-942	SEAL LOCK HEX. SOCKET HD. BOLT M6X25	4	
7	985-372	STOP LEVER	1	
8	956-996	O-RING (1AS-60)	1	
9	981-857	O-RING (C)	1	
10	985-370	SECOND HAMMER	1	
11	981-862	DAMPER WASHER	1	
12	981-861	DAMPER	1	
13	981-860	CYLINDER CAP	1	
14	981-859	URETHANE RING	1	
15	600-7DD	BALL BEARING 6007DDUAV2S	1	
16	321-297	BEARING WASHER	1	
17	322-156	CYLINDER	1	
18	322-158	CYLINDER WASHER	1	
19	321-294	CLUTCH SPRING	1	
20	322-157	STRIKER	1	
21	986-104	O-RING	2	
22	321-295	CLUTCH	1	
23	321-284	PISTON	1	
24	980-708	PISTON PIN	1	
25	321-285	CONNECTING ROD	1	
26	321-296	BEVEL GEAR	1	
27	986-940	SEAL LOCK HEX. SOCKET HD. BOLT M6X45	4	
28	983-162	SEAL LOCK HEX. SOCKET HD. BOLT M4X12	4	
29		HITACHI LABEL	1	
30	321-315	CRANK COVER	1	
31		HITACHI LABEL	1	
32	321-314	RUBBER SEAL	1	
33	939-540	RETAINING RING FOR D10 SHAFT (10 PCS.)	1	
34	321-275	CRANK SHAFT	1	
35	944-109	FEATHER KEY 3X3X8	2	
36	948-391	RETAINING RING FOR D40 HOLE	1	
37	620-3DD	BALL BEARING 6203DDCMPS2L	1	
38	996-363	O-RING (S-40)	1	
39	321-274	OIL SEAL (B)	1	
40	322-155	CYLINDER CRANK CASE	1	
41	321-278	BEVEL PINION	1	
42	321-279	COLLAR	1	
43	313-050	OIL SEAL (A)	1	
44	600-2DD	BALL BEARING 6002DDCMPS2L	1	
45	313-058	WASHER	1	
46	313-053	WASHER (A)	1	
47	321-281	GEAR HOLDER	1	
48	321-282	SPRING (C)	10	
49	320-343	NEEDLE	10	
50	321-280	SECOND GEAR	1	
51	321-283	SPACER	1	

PARTS

DH 40FR

ITEM NO.	CODE NO.	DESCRIPTION	NO. USED	REMARKS
52	629-VVM	BALL BEARING 629VVC2PS2L	1	
53	321-277	SLIP CLUTCH ASS'Y	1	INCLUD. 35, 41, 42, 44-52
54	944-525	BEARING WASHER (C)	1	
55	321-276	FIRST GEAR	1	
56	939-299	NEEDLE BEARING (M661)	1	
57	321-319	GEAR COVER	1	
58	313-078	SIDE HANDLE	1	
59	313-079	HANDLE HOLDER	1	
60	313-080	HANDLE BOLT	1	
61	971-786	STOPPER ROD	1	
62	321-867	LEVER LABEL	1	
63	983-162	SEAL LOCK HEX. SOCKET HD. BOLT M4X12	1	
64	321-309	CHANGE LEVER	1	
65	322-160	LEVER HOLDER	1	
66	311-229	RETAINING RING FOR D20 HOLE	1	
67	321-307	LEVER SHAFT	1	
68	873-095	O-RING (P-16)	1	
69	321-310	LEVER SPRING	1	
70	321-311	PUSHING BUTTON	1	
71	321-312	PIN D2X10	1	
72	620-1DD	BALL BEARING 6201DDCMPS2L	1	
73	302-429	DUST WASHER (B)	1	
74	321-640	FAN	1	
* 75	360-591U	ARMATURE ASS'Y 110V-120V	1	INCLUD. 72-74, 79, 80
* 75	360-591E	ARMATURE ASS'Y 220V-230V	1	INCLUD. 74
76	321-320	FAN GUIDE	1	
77	953-174	HEX. HD. TAPPING SCREW D5X55	2	
* 78	340-542G	STATOR ASS'Y 120V	1	INCLUD. 89
* 78	340-542E	STATOR ASS'Y 220V-230V	1	INCLUD. 89
79	982-631	WASHER (A)	1	
80	608-VVM	BALL BEARING 608VVC2PS2L	1	
81	318-721	MAGNET	1	
82	321-313	SEAL LOCK HEX. SOCKET HD. BOLT M6X22	2	
83	935-829	BRUSH CAP	2	
84	999-073	CARBON BRUSH (AUTO STOP TYPE) (1 PAIR)	2	
85	971-001	BRUSH HOLDER	2	
86	938-477	HEX. SOCKET SET SCREW M5X8	2	
87	321-321	TAIL COVER	1	
88	877-839	SEAL LOCK HEX. SOCKET HD. BOLT M5X10	2	
89	930-703	BRUSH TERMINAL	2	
90	321-322	VINYL TUBE	1	
91	321-318	HOUSING ASS'Y	1	INCLUD. 85, 86
92	321-317	CASE (B)	1	
* 93	321-328	CONTROLLER CIRCUIT 120V	1	
* 93	321-327	CONTROLLER CIRCUIT 220V-240V	1	
* 94	317-113	INTERNAL WIRE	1	FOR EUROPE, SUI
95	321-323	HANDLE	1	
96	998-485	HEX. SOCKET HD. BOLT (W/FLANGE) M5X14	6	
97	313-093	SWITCH (C) (2P SCREW TYPE W/O LOCK)	1	
98	321-324	HANDLE COVER	1	
99	301-653	TAPPING SCREW (W/FLANGE) D4X20 (BLACK)	2	

PARTS

DH 40FR

ITEM NO.	CODE NO.	DESCRIPTION	NO. USED	REMARKS
		NAME PLATE	1	
*	101	980-063	1	TERMINAL
*	101	930-804	1	TERMINAL M4.0 (10 PCS.) FOR USA, CAN
	102	940-778	1	CORD ARMOR D10.7
*	103	960-266	1	CORD CLIP
*	103	981-987Z	1	CORD CLIP FOR SUI
	104	984-750	2	TAPPING SCREW (W/FLANGE) D4X16
*	105	500-390Z	1	CORD (CORD ARMOR D10.7)
*	105	500-434Z	1	CORD (CORD ARMOR D10.7) FOR USA, CAN
*	105	500-391Z	1	CORD (CORD ARMOR D10.7) FOR SUI
	106	938-307	1	PILLAR TERMINAL

STANDARD ACCESSORIES

ITEM NO.	CODE NO.	DESCRIPTION	NO. USED	REMARKS
	501	322-152	1	CASE (PLASTIC)
	502	981-840	1	GREASE (A) FOR HAMMER.HAMMER DRILL (30G)
	503	943-277	1	HEX. BAR WRENCH 3MM
	504	944-458	1	HEX. BAR WRENCH 4MM
	505	944-459	1	HEX. BAR WRENCH 5MM
	506	993-245	1	DUST COVER

OPTIONAL ACCESSORIES

ITEM NO.	CODE NO.	DESCRIPTION	NO. USED	REMARKS
	601	985-374	1	DRILL BIT D13X400L (D1/2"X16")
	602	985-375	1	DRILL BIT D25X400L (D1"X16")
	603	985-376	1	DRILL BIT D38X400L (D1-1/2"X16")
	604	985-377	1	A-TAPER SHANK ADAPTER
	605	985-378	1	B-TAPER SHANK ADAPTER
	606	944-477	1	COTTER
	607	984-029	1	CORE BIT SHANK D35 (1-3/8") OR BELOW
	608	985-379	1	CORE BIT SHANK D38 (1-1/2") OR ABOVE
	609	985-380	1	CORE BIT 50MM INCLUD. 610
	610	985-388	1	GUIDE PLATE (FOR CORE BIT 50MM)
	611	955-159	1	CORE BIT 105MM INCLUD. 612
	612	955-169	1	GUIDE PLATE (FOR CORE BIT 105MM)
	613	955-165	1	CENTER PIN (A) 133L FOR CORE BIT D38-150
	614	985-383	1	BULL POINT 300MM (12")
	615	985-381	1	COLD CHISEL W25X300L (1"X12")
	616	985-382	1	COLD CHISEL W25X460L (1"X18")
	617	985-384	1	CUTTER W38X300L (1-1/2"X12")
	618	985-385	1	CUTTER W50X300L (2"X12")
	619	985-386	1	SCOOP 105X405L (4-1/2"X16")
	620	320-859	1	SYRINGE (BLOW-OUT BULB TYPE)
	621	318-085	1	SYRINGE (BELLOWS TYPE)
	622	308-471	1	GREASE FOR HAMMER.HAMMER DRILL (70G)
	623	980-927	1	GREASE FOR HAMMER.HAMMER DRILL (500G)