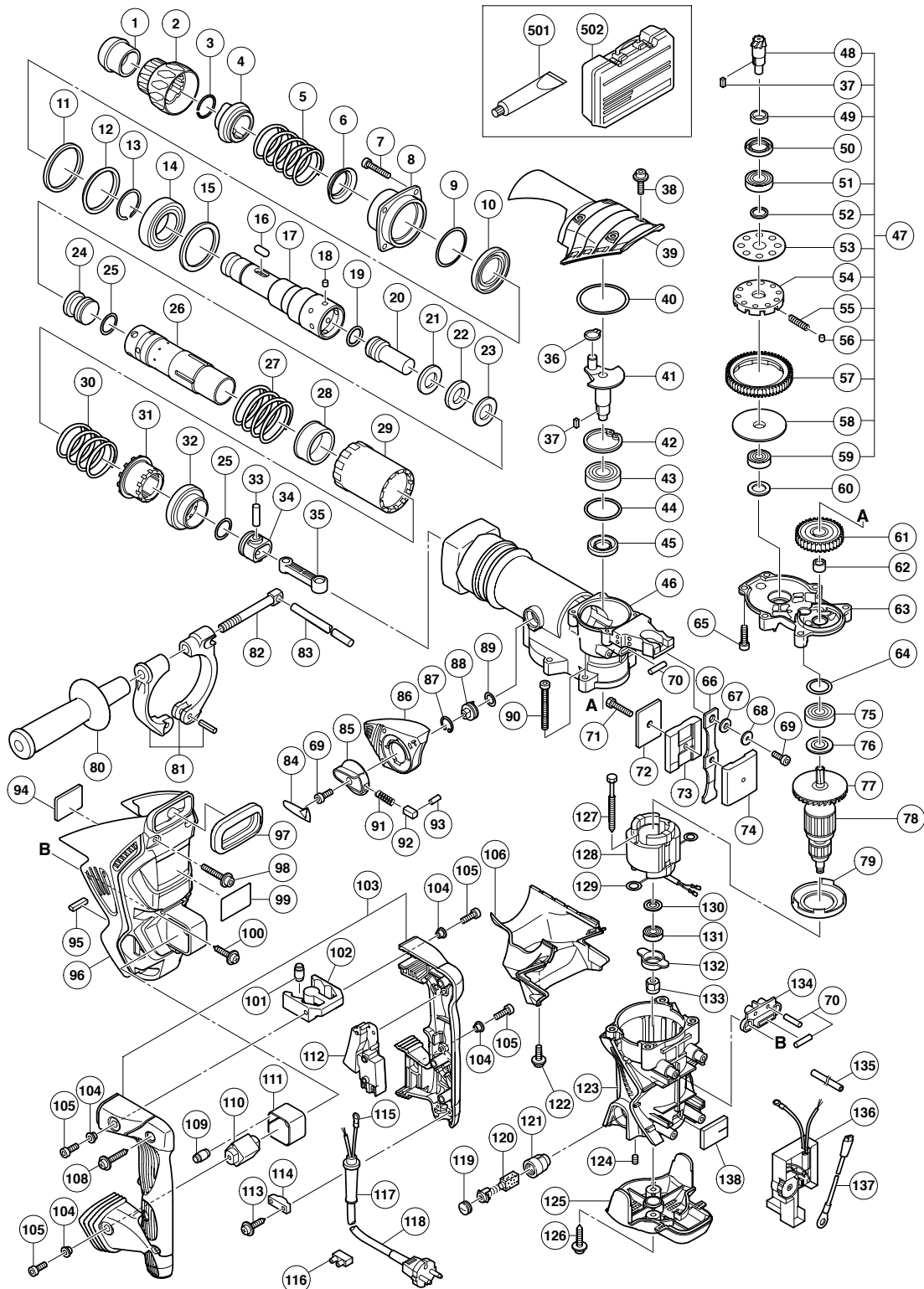


ELECTRIC TOOL PARTS LIST

■ ROTARY HAMMER Model DH 40MR

2006 · 7 · 3
(E1)



PARTS

DH 40MRY

ITEM NO.	CODE NO.	DESCRIPTION	NO. USED	REMARKS
1	321-306	FRONT CAP	1	
2	321-305	GRIP	1	
3	318-590	STOPPER RING	1	
4	321-304	NEEDLE HOLDER	1	
5	321-303	RETAINER SPRING	1	
6	321-302	SPRING HOLDER (A)	1	
7	981-942	SEAL LOCK HEX. SOCKET HD. BOLT M6X25	4	
8	321-300	FRONT COVER	1	
9	956-996	O-RING (1AS-60)	1	
10	321-301	OIL SEAL	1	
11	325-229	RUBBER RING	1	
12	315-868	URETHANE RING HOLDER	1	
13	320-850	RETAINING RING D35	1	
14	600-7DD	BALL BEARING 6007DDUAV2S	1	
15	321-297	BEARING WASHER	1	
16	313-421	NEEDLE ROLLER D8X20	2	
17	321-286	RETAINER SLEEVE	1	
18	313-057	NEEDLE PIN D6X6	4	
19	313-396	O-RING (C)	1	
20	326-371	SECOND HAMMER	1	
21	321-288	DAMPER WASHER	1	
22	321-289	DAMPER	1	
23	321-290	DAMPER HOLDER	1	
24	326-373	STRIKER	1	
25	986-104	O-RING	2	
26	326-372	CYLINDER	1	
27	326-470	LOCK SPRING	1	
28	321-293	SPRING HOLDER (B)	1	
29	321-299	LOCK SLEEVE	1	
30	326-469	CLUTCH SPRING	1	
31	321-295	CLUTCH	1	
32	321-296	BEVEL GEAR	1	
33	980-708	PISTON PIN	1	
34	326-369	PISTON	1	
35	326-370	CONNECTING ROD	1	
36	939-540	RETAINING RING FOR D10 SHAFT (10 PCS.)	1	
37	944-109	FEATHER KEY 3X3X8	2	
38	994-192	HEX. SOCKET HD. BOLT (W/FLANGE) M5X16	4	
39	326-473	CRANK COVER	1	
40	317-119	O-RING (S-56)	1	
41	326-468	CRANK SHAFT	1	
42	948-391	RETAINING RING FOR D40 HOLE	1	
43	620-3DD	BALL BEARING 6203DDCMPS2L	1	
44	996-363	O-RING (S-40)	1	
45	321-274	OIL SEAL (B)	1	
46	326-467	CYLINDER CRANK CASE	1	
47	321-277	SLIP CLUTCH ASS'Y	1	INCLUD. 37, 48, 49, 51-59
48	321-278	BEVEL PINION	1	
49	321-279	COLLAR	1	
50	313-050	OIL SEAL (A)	1	
51	600-2DD	BALL BEARING 6002DDCMPS2L	1	

PARTS

DH 40MRY

ITEM NO.	CODE NO.	DESCRIPTION	NO. USED	REMARKS
52	313-058	WASHER	1	
53	313-053	WASHER (A)	1	
54	321-281	GEAR HOLDER	1	
55	321-282	SPRING (C)	10	
56	320-343	NEEDLE	10	
57	321-280	SECOND GEAR	1	
58	321-283	SPACER	1	
59	629-VVM	BALL BEARING 629VVC2PS2L	1	
60	944-525	BEARING WASHER (C)	1	
61	321-276	FIRST GEAR	1	
62	939-299	NEEDLE BEARING (M661)	1	
63	326-482	GEAR COVER	1	
64	872-767	O-RING (S-32)	1	
65	321-313	SEAL LOCK HEX. SOCKET HD. BOLT M6X22	2	
66	326-374	LEAF SPRING	1	
67	326-375	SPRING BUMPER (A)	1	
68	326-477	WASHER	1	
69	983-162	SEAL LOCK HEX. SOCKET HD. BOLT M4X12	2	
70	878-418	NEEDLE ROLLER	4	
71	991-690	SEAL LOCK HEX. SOCKET HD. BOLT M5X12	1	
72	326-486	RUBBER SHEET (B)	1	
73	326-476	WEIGHT (B)	1	
74	326-475	WEIGHT (A)	1	
75	620-1DD	BALL BEARING 6201DDCMPS2L	1	
76	302-429	DUST WASHER (B)	1	
77	321-640	FAN	1	
* 78	360-591U	ARMATURE ASS'Y 110V-120V	1	INCLUD. 75-77, 130, 131
* 78	360-591E	ARMATURE ASS'Y 220V-230V	1	INCLUD. 77
79	321-320	FAN GUIDE	1	
80	313-078	SIDE HANDLE	1	
81	313-079	HANDLE HOLDER	1	
82	313-080	HANDLE BOLT	1	
83	971-786	STOPPER ROD	1	
84	321-867	LEVER LABEL	1	
85	321-309	CHANGE LEVER	1	
86	326-471	LEVER HOLDER	1	
87	311-229	RETAINING RING FOR D20 HOLE	1	
88	321-307	LEVER SHAFT	1	
89	873-095	O-RING (P-16)	1	
90	986-940	SEAL LOCK HEX. SOCKET HD. BOLT M6X45	4	
91	321-310	LEVER SPRING	1	
92	321-311	PUSHING BUTTON	1	
93	321-312	PIN D2X10	1	
94	326-487	RUBBER SHEET (A)	1	
95	326-376	SPRING BUMPER (B)	1	
96	326-478	BACK COVER	1	
97	326-378	BELLOWS	1	
98	319-589	HEX. SOCKET HD. BOLT (W/FLANGE) M5X35	2	
99		NAME PLATE	1	
100	302-089	TAPPING SCREW (W/FLANGE) D5X20 (BLACK)	4	
101	310-124	HANDLE DAMPER	4	

PARTS

DH 40MRY

ITEM NO.	CODE NO.	DESCRIPTION	NO. USED	REMARKS
102	310-123	TRANSATORY UNIT	1	
103	326-485	HANDLE (A).(B) SET	1	
104	991-711	DISTANCE PIECE (B)	4	
105	991-690	SEAL LOCK HEX. SOCKET HD. BOLT M5X12	4	
106	326-472	HOOD	1	
108	307-028	TAPPING SCREW (W/FLANGE) D4X25 (BLACK)	3	
109	310-124	HANDLE DAMPER	4	
110	326-377	HANDLE SHAFT	1	
111	326-479	HOLDER	1	
112	990-941	SWITCH (B) (1P SCREW TYPE) W/O LOCK	1	
113	984-750	TAPPING SCREW (W/FLANGE) D4X16	2	
* 114	960-266	CORD CLIP	1	
* 114	981-987Z	CORD CLIP	1	FOR SUI
115	980-063	TERMINAL	1	
116	938-307	PILLAR TERMINAL	1	
117	953-327	CORD ARMOR D8.8	1	
* 118	500-434Z	CORD	1	FOR USA, CAN
* 118	500-391Z	CORD	1	FOR SUI
* 118	500-446Z	CORD	1	FOR GBR (230V)
* 118	500-454Z	CORD	1	FOR GBR (110V)
119	935-829	BRUSH CAP	2	
120	999-073	CARBON BRUSH (AUTO STOP TYPE) (1 PAIR)	2	
121	971-001	BRUSH HOLDER	2	
122	998-471	HEX. SOCKET HD. BOLT (W/FLANGE) M5X12	1	
123	326-481	HOUSING ASS'Y	1	INCLUD. 121, 124
124	938-477	HEX. SOCKET SET SCREW M5X8	2	
125	326-483	TAIL COVER	1	
126	302-089	TAPPING SCREW (W/FLANGE) D5X20 (BLACK)	2	
127	953-174	HEX. HD. TAPPING SCREW D5X55	2	
* 128	340-680G	STATOR ASS'Y 120V	1	INCLUD. 129
* 128	340-680E	STATOR ASS'Y 230V	1	INCLUD. 129
129	930-703	BRUSH TERMINAL	2	
130	982-631	WASHER (A)	1	
131	608-VVM	BALL BEARING 608VVC2PS2L	1	
132	326-484	BEARING HOLDER	1	
133	318-721	MAGNET	1	
134	326-474	SPRING BASE	1	
135	326-541	VINYL TUBE (I.D.9.5XT0.56X85)	1	
* 136	328-625	CONTROLLER CIRCUIT 120V	1	
* 136	326-491	CONTROLLER CIRCUIT 220V-240V	1	
137	326-492	INTERNAL WIRE	1	
138	326-488	COVER (A)	1	

STANDARD ACCESSORIES

DH 40MRY

ITEM NO.	CODE NO.	DESCRIPTION	NO. USED	REMARKS
501	981-840	GREASE (A) FOR HAMMER.HAMMER DRILL (30G)	1	
502	326-489	CASE (PLASTIC)	1	

OPTIONAL ACCESSORIES

ITEM NO.	CODE NO.	DESCRIPTION	NO. USED	REMARKS
601	308-471	GREASE FOR HAMMER. HAMMER DRILL (70G)	1	
602	980-927	GREASE FOR HAMMER. HAMMER DRILL (500G)	1	
603	320-859	SYRINGE (BLOW-OUT BULB TYPE)	1	
604	313-448	DRILL BIT (SDS MAX) D16X340	1	
605	313-456	DRILL BIT (SDS MAX) D16X540	1	
606	313-449	DRILL BIT (SDS MAX) D19X340	1	
607	313-457	DRILL BIT (SDS MAX) D19X540	1	
608	313-450	DRILL BIT (SDS MAX) D22X320	1	
609	313-458	DRILL BIT (SDS MAX) D22X520	1	
610	313-451	DRILL BIT (SDS MAX) D25X320	1	
611	313-459	DRILL BIT (SDS MAX) D25X520	1	
612	313-452	DRILL BIT (SDS MAX) D28X370	1	
613	313-460	DRILL BIT (SDS MAX) D28X570	1	
614	313-453	DRILL BIT (SDS MAX) D32X370	1	
615	313-461	DRILL BIT (SDS MAX) D32X570	1	
616	313-454	DRILL BIT (SDS MAX) D38X370	1	
617	313-462	DRILL BIT (SDS MAX) D38X570	1	
618	313-455	DRILL BIT (SDS MAX) D40X370	1	
619	313-463	DRILL BIT (SDS MAX) D40X570	1	
620	318-085	SYRINGE (BELLOWS TYPE)	1	
621	944-460	TAPER SHANK DRILL BIT D11X100	1	
622	944-461	TAPER SHANK DRILL BIT D12.3X110	1	
623	993-038	TAPER SHANK DRILL BIT D12.7X110	1	
624	944-462	TAPER SHANK DRILL BIT D14.3X110	1	
625	944-500	TAPER SHANK DRILL BIT D14.5X110	1	
626	944-463	TAPER SHANK DRILL BIT D17.5X120	1	
627	313-464	TAPER SHANK ADAPTER ASS'Y (SDS MAX) NO. 1	1	INCLUD. 628
628	944-477	COTTER	1	
629	313-465	ADAPTER (SDS MAX) FOR SDS PLUS SHANK BIT	1	
630	955-994	CORE BIT 25MM	1	
631	955-995	CORE BIT 29MM	1	
632	955-996	CORE BIT 32MM	1	INCLUD. 633
633	955-997	GUIDE PLATE (FOR CORE BIT 32MM)	1	
634	955-998	CORE BIT 35MM	1	INCLUD. 635
635	955-999	GUIDE PLATE (FOR CORE BIT 35MM)	1	
636	956-000	CORE BIT 38MM	1	INCLUD. 637
637	956-001	GUIDE PLATE (FOR CORE BIT 38MM)	1	
638	955-154	CORE BIT 45MM	1	INCLUD. 639
639	955-166	GUIDE PLATE (FOR CORE BIT 45MM)	1	
640	955-155	CORE BIT 54MM	1	INCLUD. 641
641	955-167	GUIDE PLATE (FOR CORE BIT 54MM)	1	

OPTIONAL ACCESSORIES

DH 40MRY

ITEM NO.	CODE NO.	DESCRIPTION	NO. USED	REMARKS	
642	956-002	CORE BIT 64MM	1	INCLUD. 643	
643	956-003	GUIDE PLATE (FOR CORE BIT 64MM)	1		
644	955-157	CORE BIT 79MM	1	INCLUD. 645	
645	955-168	GUIDE PLATE (FOR CORE BIT 79MM)	1		
646	956-004	CORE BIT 94MM	1	INCLUD. 647	
647	956-005	GUIDE PLATE (FOR CORE BIT 94MM)	1		
648	955-159	CORE BIT 105MM	1	INCLUD. 649	
649	955-169	GUIDE PLATE (FOR CORE BIT 105MM)	1		
650	313-466	CORE BIT SHANK (B) SDS MAX D25-35	1		
651	313-467	CORE BIT SHANK (A) SDS MAX D38-150	1		
652	956-009	CENTER PIN (B) 147L FOR CORE BIT D32-35	1		
653	955-165	CENTER PIN (A) 133L FOR CORE BIT D38-150	1		
654	321-813	DRILL CHUCK 13VLD-D	1		
655	313-468	CHUCK ADAPTER (SDS MAX)	1		
656	303-334	CHUCK HANDLE	1		
657	930-515	CHUCK WRENCH 10G	1		
658	313-469	CHEMICAL ANCHOR ADAPTER (SDS MAX) 12.7MM	1		
659	313-470	CHEMICAL ANCHOR ADAPTER (SDS MAX) 19MM	1		
660	313-471	BULL POINT (SDS MAX) 280L	1		
661	313-472	BULL POINT (SDS MAX) 400L	1		
662	313-473	COLD CHISEL (SDS MAX) 280MM	1		
663	313-474	COLD CHISEL (SDS MAX) 400MM	1		
664	313-475	CUTTER (SDS MAX) W50X400L	1		
665	313-476	SCOOP (SDS MAX) 400L	1		
666	313-478	RAMMER (SDS MAX) 150MM X 150MM	1		
667	313-477	BUSHING TOOL (SDS MAX)	1		
668	313-479	SHANK (SDS MAX)FOR RAMMER, BUSHING TOOL	1		
669	317-341	DUST COLLECTOR (FOR HAMMER DRILL C)	1		