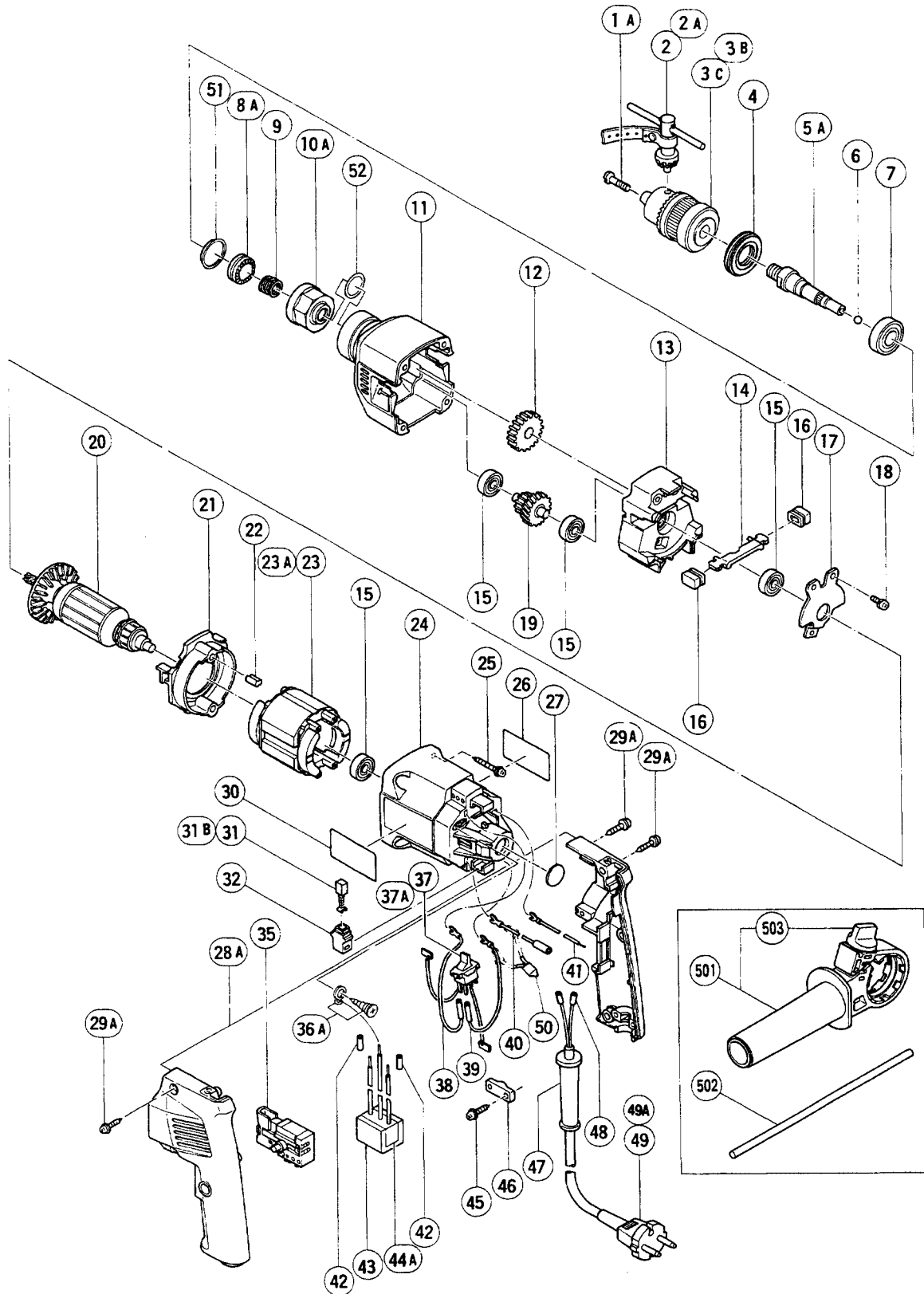


## ELECTRIC TOOL PARTS LIST

■ IMPACT DRILL  
Model DV 14V

1998·7·10  
(E4)



## PARTS

DV 14V

ITEM NO.	CODE NO.	DESCRIPTION	NO. USED	REMARKS
* 1A	981-122	SPECIAL SCREW M6X22	1	TILL 6.1989
* 2	930-515	CHUCK WRENCH 10G	1	FOR DRILL CHUCK OF HITACHI (TILL 5.1989 FOR USA)
* 2	987-576	CHUCK WRENCH FOR 13VLB-D,13VLR-D	1	FOR DRILL CHUCK OF ROEHM
* 2A	930-119	CHUCK WRENCH 6.5G	1	SINCE 6.1989 FOR USA
* 3B	950-275	DRILL CHUCK 13VLR	1	INCLUD.1A,2
* 3B		DRILL CHUCK (ROEHM)	1	INCLUD.2
* 3C	950-256	DRILL CHUCK 10VLR	1	INCLUD.1A,2A FOR USA
4	995-316	SEAL LOCK CAP	1	
5A	994-511	SPINDLE	1	
6	959-149	STEEL BALL D4.76 (10 PCS.)	1	
7	600-2DD	BALL BEARING 6002DDUCMPS2S	1	
8A	995-342	RATCHET (A)	1	
9	994-457	SPRING (B)	1	
10A	995-340	RATCHET SLEEVE (A) ASS'Y	1	INCLUD.52
11	994-510	GEAR COVER	1	
12	994-515	FINAL GEAR	1	
13	994-442	INNER COVER	1	
14	994-444	CHANGE PLATE	1	
15	608-VVM	BALL BEARING 608VVMC2EPS2L	4	
16	994-445	PUSHING BUTTON	2	
17	994-446	BEARING HOLDER	1	
18	993-126	SEAL LOCK SCREW (W/SP. WASHER) M5X12	3	
19	994-513	SECOND PINION	1	
* 20	360-029U	ARMATURE ASS'Y 110V-127V	1	INCLUD.15
* 20	360-029E	ARMATURE 220V-230V	1	(230V FOR NZL ONLY)
* 20	360-029F	ARMATURE 230V-240V	1	
21	994-440	FAN GUIDE	1	
22	994-343	RUBBER BUSHING	2	
* 23	340-030J	STATOR 110V-127V	1	
* 23	340-030H	STATOR 230V-240V	1	
* 23A	340-030G	STATOR 220V-230V	1	(230V FOR NZL ONLY)
24	994-340	HOUSING	1	
25	985-605	TAPPING SCREW (W/WASHER) D5X25	4	
26		NAME PLATE	1	
27	994-453	BEARING SEAL	1	
28A	994-362	HANDLE (A).(B) SET	1	
29A	984-750	TAPPING SCREW (W/FLANGE) D4X16	7	
30	994-514	HITACHI LABEL	1	
* 31	999-041	CARBON BRUSH (1 PAIR)	2	
* 31B	999-072	CARBON BRUSH (AUTO STOP TYPE) (1 PAIR)	2	FOR USA
32	955-203	BRUSH HOLDER	2	
* 35	994-392	SPEED CONTROL SWITCH (2P PILLAR TYPE)	1	FOR 110V-127V
* 35	994-393	SPEED CONTROL SWITCH (2P PILLAR TYPE)	1	FOR 220V-240V
* 36A	995-323	EARTH TERMINAL	1	FOR NOISE SUPPRESSOR
* 37	994-454	REVERSING SWITCH	1	
* 37	991-889	REVERSING SWITCH	1	FOR FIN
* 37	995-317	REVERSING SWITCH	1	FOR NZL
* 37A	995-320	REVERSING SWITCH	1	FOR SAF,ITA,FRG,GBR,FRA,DEN,SWE,NOR,SUI
* 37A	995-321	REVERSING SWITCH	1	FOR HOL,AUT
* 38	994-462	INTERNAL WIRE (A) (BROWN)	1	

\* : ALTERNATIVE PARTS

7 - 98



