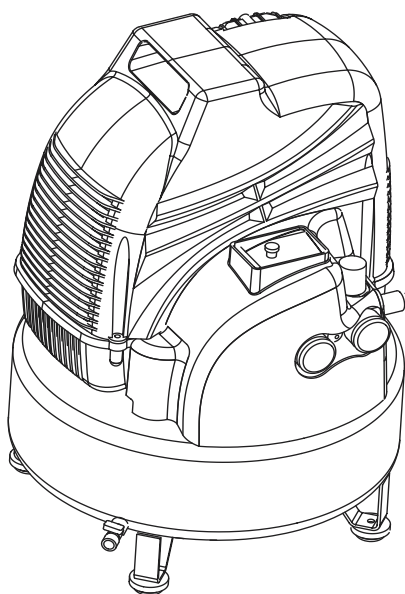


HITACHI

INSTRUCTION MANUAL AND SAFETY INSTRUCTIONS FOR AIR COMPRESSOR MANUEL D'UTILISATION ET CONSIGNES DE SÉCURITÉ DU COMPRESSEUR MANUAL DE INSTRUCCIONES Y INSTRUCCIONES DE SEGURIDAD PARA EL COMPRESOR DE AIRE

MODEL
MODÈLE
MODELO

EC 79



Improper and unsafe use of this compressor can result in death or serious bodily injury!
This manual contains important information about product safety.
Please read and understand this manual before operating the compressor.
Please keep this manual available for others before they use the compressor.



Une utilisation du compresseur de manière incorrecte ou ne respectant pas les consignes de sécurité peut entraîner la mort ou de graves blessures!
Ce manuel renferme des informations importantes relatives à la sécurité.
Veuillez lire attentivement toutes les instructions avant de mettre le compresseur en service.
Laissez ce manuel à la disposition des personnes qui vont utiliser le compresseur.



¡La utilización inadecuada e insegura de este compresor puede resultar en la muerte o en lesiones serias!
Este manual contiene información importante sobre la seguridad del producto.
Antes de utilizar el compresor, lea y entienda bien este manual.
Guarde este manual a disposición para que otras personas puedan leerlo antes de utilizar el compresor.

Hitachi Koki

English	Page
IMPORTANT INFORMATION	3
MEANINGS OF SIGNAL WORDS	3
SAFETY	
IMPORTANT SAFETY INSTRUCTIONS FOR USE OF THE COMPRESSOR.....	4
REPLACEMENT PARTS	5
GROUNDING INSTRUCTIONS	6
EXTENSION CORD	6
OPERATION AND MAINTENANCE	
NAME OF PARTS	7
SPECIFICATIONS	7
APPLICATIONS.....	8
PRIOR TO OPERATION	8
TRANSPORT	8
OPERATION	8
MAINTENANCE	9
SERVICE AND REPAIRS	9
PARTS LIST	24

Français	Page
INFORMATIONS IMPORTANTES	10
SIGNIFICATION DES SIGNALISATIONS ECRITES	10
SÉCURITÉ	
CONSIGNES DE SÉCURITÉ IMPORTANTES POUR L'UTILISATION DU COMPRESSEUR	11
PIÈCES DETACHEES	12
INSTRUCTIONS DE MISE À LA TERRE	13
CORDON DE RALLONGE	13
UTILISATION ET ENTRETIEN	
NOM DES COMPOSANTS	14
SPECIFICATIONS	14
APPLICATIONS.....	15
AVANT L'UTILISATION.....	15
TRANSPORT	15
FONCTIONNEMENT	15
ENTRETIEN	16
SERVICE APRÈS-VENTE ET RÉPARATIONS	16
LISTE DES PIÈCES	24

Español	Página
INFORMACIONES IMPORTANTES	17
SIGNIFICADO DE LAS PALABRAS DE SEÑALIZACIÓN	17
SEGURIDAD	
INSTRUCCIONES IMPORTANTES DE SEGURIDAD PARA LA UTILIZACIÓN DEL COMPRESOR	18
PIEZAS DE REPUESTO	19
INSTRUCCIONES PARA LA PUESTA A TIERRA	20
CABLE PROLONGADOR	20
USO Y MANTENIMIENTO	
NOMBRE DE LOS COMPONENTES.....	21
ESPECIFICACIONES TÉCNICAS	21
APLICACIONES	22
ANTES DE LA OPERACIÓN	22
TRANSPORTE	22
OPERACIÓN	22
MANTENIMIENTO	23
ASISTENCIA Y REPARACIONES	23
LISTA DE PIEZAS	24

IMPORTANT INFORMATION

Read and understand all of the operating instructions, safety precautions and warnings in the Instruction Manual before operating or maintaining this compressor.

Most accidents that result from compressor operation and maintenance are caused by the failure to observe basic safety rules or precautions. An accident can often be avoided by recognizing a potentially hazardous situation before it occurs, and by observing appropriate safety procedures.

Basic safety precautions are outlined in the "SAFETY" section of this Instruction Manual and in the sections which contain the operation and maintenance instructions.

Hazards that must be avoided to prevent bodily injury or machine damage are identified by WARNINGS on the compressor and in this Instruction Manual.

Never use this compressor in a manner that has not been specifically recommended by HITACHI, unless you first confirm that the planned use will be safe for you and others.

MEANINGS OF SIGNAL WORDS

- | | |
|----------------|--|
| WARNING | indicates a potentially hazardous situations which, if ignored, could result in serious personal injury. |
| CAUTION | indicates a potentially hazardous situations which, if not avoided, may result in minor or moderate injury, or may cause machine damage. |
| NOTE | emphasizes essential information. |

SAFETY

IMPORTANT SAFETY INSTRUCTIONS FOR USE OF THE COMPRESSOR



WARNING: Death or serious bodily injury could result from improper or unsafe use of compressor. To avoid these risks, follow these basic safety instructions:

READ ALL INSTRUCTIONS

1. NEVER TOUCH MOVING PARTS.

Never place your hands, fingers or other body parts near the compressor's moving parts.

Never insert your fingers or other objects into the housing's ventilator. Such an action invites the danger of injuries or electric shocks.

2. NEVER OPERATE WITHOUT ALL GUARDS IN PLACE.

Never operate this compressor without all guards or safety features in place and in proper working order. If maintenance or servicing requires the removal of a guard or safety features, be sure to replace the guard or safety features before resuming operation of the compressor.

3. ALWAYS WEAR PROTECTION.

Risk of injury. Always wear ANSI Z87.1 safety glasses with side shields or equivalent eye protection. Compressed air must never be aimed at anyone or any part of the body. Use ear protection as air flow noise is loud when draining.

4. PROTECT YOURSELF AGAINST ELECTRIC SHOCK.

Prevent body contact with grounded surfaces such as pipes, radiators, ranges and refrigeration enclosures.

This compressor must be properly grounded. Don't expose compressor to rain. Never operate the compressor in damp or wet locations.

To reduce risk of electric shock, do not remove cover.

5. DISCONNECT THE COMPRESSOR.

Always disconnect the compressor from the power source and remove the compressed air from the air tank before servicing, inspecting, maintaining, cleaning, replacing or checking any parts.

6. AVOID UNINTENTIONAL STARTING.

Do not carry the compressor while it is connected to its power source or when the air tank is filled with compressed air. Be sure the knob of the pressure switch in the "OFF" position before connecting the compressor to its power source.

7. STORE COMPRESSOR PROPERLY.

When not in use, the compressor should be stored in indoor dry place. Keep out of reach of children. Lock-out the storage area.

8. KEEP WORK AREA CLEAN.

Cluttered areas invite injuries. Clear all work areas of unnecessary tools, debris, furniture, etc.

9. CONSIDER WORK AREA ENVIRONMENT.

Keep work area well lit and well ventilated.

Risk of fire or explosion. Do not carry and operate the compressor or any other electrical device near the spray area. Do not use compressor in the presence of flammable liquids or gases.

Never place objects against or on top of compressor.

Compressor produces sparks during operation. Never use compressor in sites containing lacquer, paint, benzene, thinner, gasoline, gases, adhesive agents, and other materials which are combustible or explosive.

In order to avoid damaging this compressor, do not allow the unit to be tilted more than 10° when operating.

10. KEEP CHILDREN AWAY.

Do not let visitors contact compressor extension cord. All visitors should be kept safely away from work area.

11. DRESS PROPERLY.

Do not wear loose clothing or jewelry. They can be caught in moving parts.

Wear protective hair covering to contain long hair.

12. DON'T ABUSE CORD.

Never yank it to disconnect from receptacle.

Keep cord from heat, oil and sharp edges.

13. MAINTAIN COMPRESSOR WITH CARE.

Follow instructions for lubricating.

Inspect cords periodically and if damaged, have repaired by authorized service center. Inspect extension cords periodically and replace if damaged.

14. OUTDOOR USE EXTENSION CORDS.

When compressor is used outdoors, use only extension cords intended for use outdoors and so marked.

15. STAY ALERT.

Watch what you are doing. Use common sense. Never stand on the compressor. Do not operate compressor when you are tired.

Compressor should never be used by you if you are under the influence of alcohol, drugs or medication that makes you drowsy.

16. CHECK DAMAGED PARTS AND AIR LEAK.

Before further use of the compressor, a guard or other part is damaged should be carefully checked to determine that it will operate properly and perform its intended function. Check for alignment of moving parts, binding of moving parts, breakage of parts, mounting, air leak, and any other conditions that may affect its operation.

A guard or other part that is damaged should be properly repaired or replaced by an authorized service center unless otherwise indicated elsewhere in this Instruction Manual.

Have defective pressure switches replaced by authorized service center.

Do not use compressor if switch does not move it on and off.

17. NEVER USE COMPRESSOR FOR APPLICATIONS OTHER THAN THOSE SPECIFIED.

Never use compressor for applications other than those specified in the Instruction Manual.

Never use compressed air for breathing or respiration.

18. HANDLE COMPRESSOR CORRECTLY.

Operate the compressor according to the instructions provided herein. Never allow the compressor to be operated by children, individuals unfamiliar with its operation or unauthorized personnel.

19. KEEP ALL SCREWS, BOLTS AND COVERS TIGHTLY IN PLACE.

Keep all screws, bolts, and covers tightly mounted. Check their conditions periodically.

20. KEEP MOTOR AIR VENT CLEAN.

The motor air vent must be kept clean so that air can freely flow at all times. Check for dust build-up frequently.

21. OPERATE COMPRESSOR AT THE RATED VOLTAGE.

Operate the compressor at voltages specified on their nameplates.

If using the compressor at a higher voltage than the rated voltage, it will result in abnormally fast motor revolution and may damage the unit and burn out the motor.

22. NEVER USE A COMPRESSOR WHICH IS DEFECTIVE OR OPERATING ABNORMALLY.

If the compressor appears to be operating unusually, making strange noises or vibration, or otherwise appears defective, stop using it immediately and arrange for repairs by a Hitachi authorized service center.

23. DO NOT WIPE PLASTIC PARTS WITH SOLVENT.

Solvents such as gasoline, thinner, benzene, carbon tetrachloride, and alcohol may damage and crack plastic parts. Do not wipe them with such solvents. Wipe plastic parts with a soft cloth lightly dampened with soapy water and dry thoroughly.

24. USE ONLY GENUINE HITACHI REPLACEMENT PARTS.

Replacement parts not manufactured by Hitachi may void your warranty and can lead to malfunction and resulting injuries. Genuine Hitachi parts are available from your dealer.

25. DO NOT MODIFY THE COMPRESSOR.

Do not modify the compressor. Do not operate at pressure or speed in excess of manufacturer's recommendations. Always contact the Hitachi authorized service center any repairs. Unauthorized modification may not only impair the compressor performance but may also result in accident or injury to repair personnel who do not have the required knowledge and technical expertise to perform the repair operations correctly.

26. PUSH THE KNOB OF PRESSURE SWITCH TO OFF WHEN THE COMPRESSOR IS NOT USED.

When the compressor is not used, push the knob of the pressure switch OFF, disconnect it from the power source and open the drain cock to discharge the compressed air from the air tank.

27. NEVER TOUCH HOT SURFACE.

To reduce the risk of burns, do not touch tubes, heads, cylinder and motors.

28. DO NOT DIRECT AIR STREAM AT BODY.

Risk of injury, do not direct air stream at persons or animals.

29. DRAIN TANK.

Risk of bursting. Water will condense in the air tank. If not drained, water will corrode and weaken the air tank causing a risk of air tank rupture.

Drain tank daily or after 4 hours of use. To drain tank open valve slowly and tilt compressor to empty accumulated water.

30. DO NOT STOP COMPRESSOR BY PULLING OUT THE PLUG.

This could result in damage to the unit. Use the "ON/OFF" knob of pressure switch.

31. MAKE SURE THE COMPRESSOR OUTLET PRESSURE IS SET LOWER THAN THE MAXIMUM OPERATING PRESSURE OF THE TOOL.

Too much air pressure causes a hazardous risk of bursting. Check the manufacturer's maximum pressure rating for air tools and accessories. The regulator outlet pressure must never exceed the maximum pressure rating.

32. THE SAFETY VALVE MUST WORK PROPERLY.

Risk of bursting. Before starting the compressor pull the ring on the safety valve to make sure the valve moves freely. If the safety valve does not work properly, over-pressurization may occur, causing air tank rupture or an explosion.

33. USE OF THIS PRODUCT WILL EXPOSE YOU TO CHEMICALS KNOWN TO THE STATE OF CALIFORNIA.

Some dust created by this product contains chemicals known to State of California to cause cancer, birth defects or other reproductive harm. Some examples of these chemicals are:

- compounds in fertilizers
- compounds in insecticides, herbicides and pesticides
- arsenic and chromium from chemically treated lumber

To reduce your exposure to these chemicals, wear approved safety equipment such as dust masks that are specially designed to filter out microscopic particles. Use of this product will expose you to chemicals known to the State of California to cause cancer, birth defects and other reproductive harm. Avoid inhaling vapors and dust, and wash hands after using. This product contains chemicals, including lead, known to the State of California to cause cancer, and birth defects or other reproductive harm. Wash hands after handling.

REPLACEMENT PARTS

When servicing use only identical replacement parts.
Repairs should be conducted only by a Hitachi authorized service center.

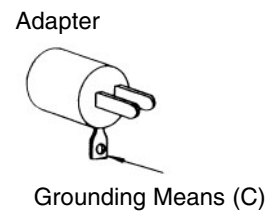
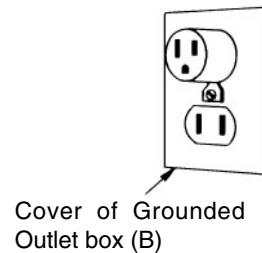
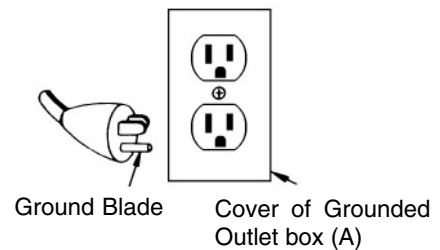
SAFETY — Continued

GROUNDING INSTRUCTIONS

This compressor should be grounded while in use to protect the operator from electric shock. The compressor is equipped with a three-conductor cord and three-prong grounding type plug to fit the proper grounding type receptacle. The green (or green and yellow) conductor in the cord is the grounding wire. Never connect the green (or green and yellow) wire to a live terminal. If your unit is for use on less than 150 volts, it has a plug that looks like that shown in sketch (A) in Figure on the right. An adapter, see sketches (B) and (C), is available for connecting sketch (A) type plugs to two-prong receptacles. The green-colored rigid ear, lug, or the like extending from the adapter must be connected to a permanent ground, such as a properly grounded outlet box.

Note: The grounding adaptor, sketch (C), is prohibited in Canada by Canadian Electrical Code Part 1. Therefore, the instructions for its use are not applicable in Canada.

We recommend that you never disassemble the compressor or try to do any rewiring in the electrical system. Any repairs should be performed only by HITACHI Service Centers or other qualified service organizations. Should you be determined to make a repair yourself, remember that the green colored wire is the "grounding" wire. Never connect this green wire to a "live" terminal. If you replace the plug on the power cord, be sure to connect the green wire only to the grounding (longest) prong on a 3-prong plug. If in doubt, call a qualified electrician and have the receptacle checked for ground.



EXTENSION CORD

Use only three-wire extension cords that have three-prong grounding-type plugs and three-pole receptacles that accept the compressor's plug. Replace or repair damaged cord.

Make sure your extension cord is in good condition. When using an extension cord, be sure to use one heavy enough to carry the current your product will draw. An undersized cord will cause a drop in line voltage resulting in loss of power and overheating. Table shows the correct size to use depending on cord length and name plate ampere rating. If in doubt, use the next heavier gage. The smaller the gage number, the heavier the cord.

MINIMUM GAGE FOR CORD SETS

	Ampere More Than	Rating Not More Than	Total Length of Cord in Feet (Meter)			
			0 – 25 (0 – 7.6)	26 – 50 (7.9 – 15.2)	51 – 100 (15.5 – 30.5)	101 – 150 (30.8 – 45.7)
			AWG			
	0	- 6	18	16	16	14
	6	- 10	18	16	14	12
	10	- 12	16	16	14	12
	12	- 16	14	12	Not Recommended	

WARNING: Avoid electrical shock hazard. Never use this compressor with a damaged or frayed electrical cord or extension cord. Inspect all electrical cords regularly. Never use in or near water or in any environment where electric shock is possible.

**SAVE THESE INSTRUCTIONS AND MAKE THEM
AVAILABLE TO OTHER USERS OF THIS TOOL!**

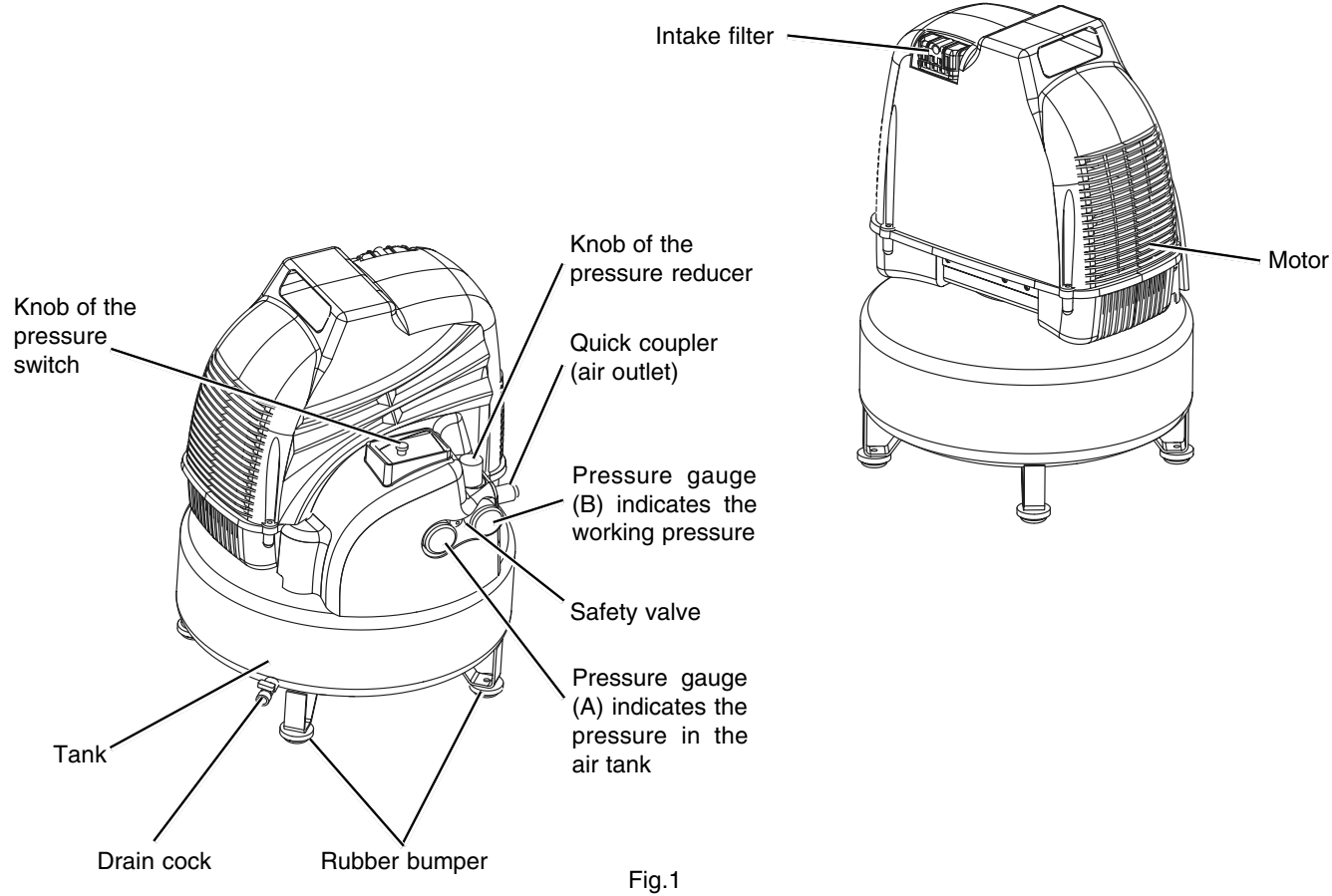
OPERATION AND MAINTENANCE

NOTE:

The information contained in this Instruction Manual is designed to assist you in the safe operation and maintenance of the compressor.

Some illustrations in Instruction Manual may show details or attachments that differ from those on your own compressor.

NAME OF PARTS



SPECIFICATIONS

Model		EC79
Motor		Single-Phase, Induction Motor
Power Source		Single-Phase, 120V AC 60Hz
Output Power		1.5 HP (1.1KW)
Current		12.5 A
Tank Capacity		6 gal. (22.7 ltr)
Maximum Pressure		135 PSI (9.3 bar)
Free Air Delivery	at 40 PSI (2.8 bar)	3.6 CFM (102 ltr/min)
	at 90 PSI (6.2 bar)	2.7 CFM (76 ltr/min)
	at 100 PSI (6.9 bar)	2.5 CFM (71 ltr/min)
Lubrication		Oil-less

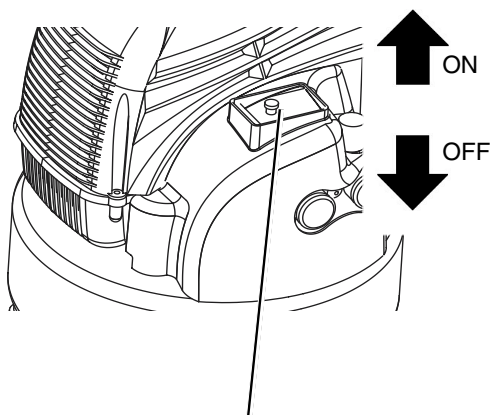
APPLICATIONS

Air source of the pneumatic nailer and stapler.

WARNING: Never use compressor for applications other than compressor for pneumatic nailer and stapler.

PRIOR TO OPERATION

1. Power source
Ensure that the power source to be utilized conforms to the power source requirements specified on the product nameplate.
2. Power switch
Ensure that the knob of the pressure switch is in the "OFF" position (Fig. 2). If the plug is connected to a receptacle while the knob is in the "ON" position, the compressor will start operating immediately and can cause serious injury.



Knob of the pressure switch

Fig.2

3. Extension cord
When the work area is far away from the power source, use an extension cord of sufficient thickness and rated capacity (refer page 6). The extension cord should be kept as short as practicable.

WARNING: Damaged cord must be replaced or repaired.

4. Confirm the power receptacle
If the power receptacle only loosely accepts the plug, the receptacle must be repaired. Contact the nearest electric store for repair service.
If such a faulty receptacle is used, may cause overheating, resulting in a serious hazard.
5. Right running position
Position the compressor on a flat surface or one with an inclination of 10° at the most, in a well ventilated area away from atmospheric agents and not in explosive areas.

CAUTION: In order to avoid damaging the compressor, do not allow the unit to be tilted more than 10° when operating.

NOTE: When operating or storing the compressor, set 4 rubber bumpers downward on the floor (Refer to Fig.1)

6. Temperature
Operating temperatures are between 32°F and 104°F (0°C and 40°C).

CAUTION: Never operate in temperatures below 32°F (0°C) or above 104°F (40°C).

TRANSPORT

Push the knob of the pressure switch to "OFF" and disconnect it from the power source before move the compressor. Transport the compressor in the correct manner.

OPERATION

1. Start-up
Insert the plug into the receptacle and start the compressor by pulling the knob of the pressure switch to "ON" (Refer to Fig. 2).

WARNING: Do not stop or start the compressor by use of the plug. Always use "ON/OFF" knob located on the pressure switch.

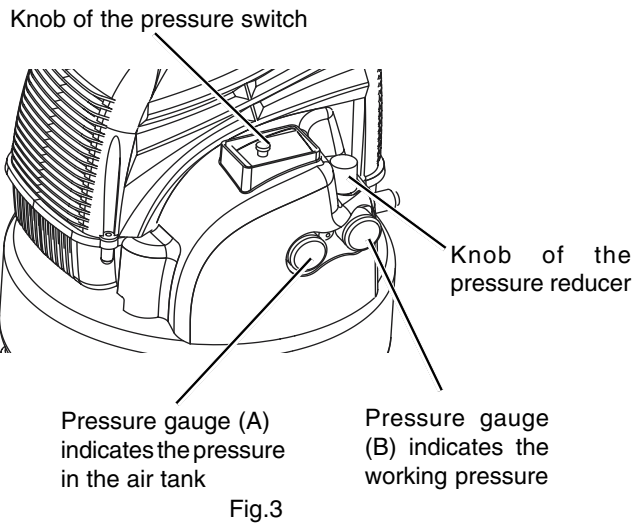
The operation of the compressor is automatic and is controlled by the pressure switch which stops it when the pressure in the air-tank reaches the maximum level and restart it when the air pressure drops during use to the restart level.

The motor of the compressor is fitted with a thermal protection inside the wrap, which stops the compressor when the temperature is too high. Should this be tripped, the compressor will restart automatically after 15-20 minutes.

CAUTION: Wear appropriate personal hearing protection during use. Under some conditions and duration of use, noise from this product may contribute to hearing loss.

2. Adjustment of working pressure
Unlock the knob of the pressure reducer pulling it up, adjust the pressure to the required level by turning the knob clockwise to increase and counterclockwise to decrease.
A pressure gauge (B) is provided to know when the required pressure is reached, lock the knob by pushing it down firmly (Refer to Fig. 3).
When adjusting the pressure, check and make sure that a pressure gauge for the tank has the pressure level that is higher than that of the pressure to be adjusted.
It is also imperative that you make adjustment by slowly starting up the pressure from the level that is lower than the pressure to be adjusted.

- ! WARNING:** Check the manufacturer's maximum pressure rating for nailers, staplers and accessories. Compressor outlet pressure must be regulated so as to never exceed the maximum pressure rating of the nailers, staplers and accessories.



3. Shutdown
- (1) Push the knob of the pressure switch to "OFF" (Refer to Fig. 1 and Fig. 2).
 - (2) Unplug the plug from power source.
 - (3) Open the drain cock located at the lower part of the tank (Fig. 4).

- ! WARNING:** Risk of bursting. When the tank gets corroded, there is a risk of breakdown. Water will condense in the air tank. If not drained, water will corrode and weaken the air tank causing a risk of air tank rupture. Drain tank daily or after 4 hours of use. The drain contains moisture in the air, abrasion particles, rust, etc.. To drain tank open valve slowly and tilt compressor to empty accumulated water. Keep face and eyes away from drain cock.

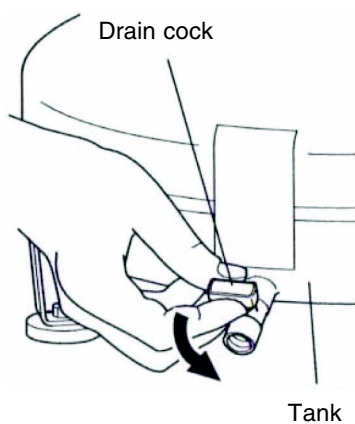


Fig.4

MAINTENANCE

- ! WARNING:** Disconnect the compressor from the power source and remove the compressed air from the air tank before performing the maintenance operations. Allow the compressor to cool before performing the maintenance operations.

1. Cleaning the intake filter
Remove the intake filter (Refer to Fig. 1) every 50 hours or once a week and clean the inside of the intake filter and the filter element with compressed air (Fig. 5). Use a phillips screwdriver to disassemble intake filter.

- ! WARNING:** Never clean filter element with a flammable liquid or solvent.

- ! CAUTION:** Do not operate without the intake filter.

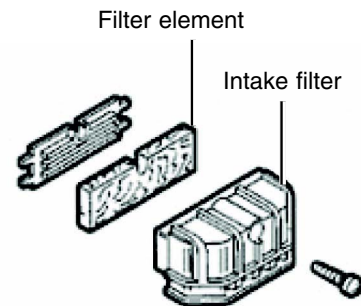


Fig.5

NOTE: Replace the filter element when it becomes dirty.

2. Draining tank
Drain tank daily or after 4 hours of use. Open drain tank and tilt compressor to empty accumulated water (Refer to Fig. 4).

SERVICE AND REPAIRS

All quality compressors will eventually require servicing or replacement of parts because of wear from normal use. To assure that only authorized replacement parts will be used, all service and repairs must be performed by a HITACHI AUTHORIZED SERVICE CENTER, only.

NOTE: Specifications are subject to change without any obligation on the part of the HITACHI.

INFORMATIONS IMPORTANTES

Lisez attentivement toutes les instructions de fonctionnement, les précautions de sécurité et les avertissements figurant dans le Manuel d'instructions avant de mettre ce compresseur en service ou de le soumettre à des interventions d'entretien.

La plupart des incidents dérivant de l'utilisation ou de l'entretien du compresseur est due au non-respect des règles ou précautions de sécurité de base. Souvent, il est possible d'éviter un accident en sachant reconnaître une situation potentiellement dangereuse avant qu'elle ne survienne et en observant les procédures de sécurité adéquates.

Les précautions de sécurité de base sont résumées dans le chapitre «SÉCURITÉ» de ce manuel ainsi qu'aux chapitres relatifs aux instructions pour l'utilisation et l'entretien.

Les dangers à éviter pour prévenir tout accident de travail ou endommagement à l'appareil, sont identifiés sous «AVERTISSEMENT» sur le compresseur et sur le manuel d'entretien.

N'utilisez jamais ce compresseur de façon non spécifiquement recommandée par HITACHI, à moins d'avoir préalablement vérifié et confirmé que l'utilisation programmée est sûre pour l'opérateur et les tiers.

SIGNIFICATION DES SIGNALISATIONS ECRITES

AVERTISSEMENT indique une situation potentiellement dangereuse qui, si elle est ignorée, est susceptible de provoquer des blessures personnelles graves.

PRÉCAUTION indique une situation potentiellement dangereuse qui, si elle n'est pas évitée, peut provoquer des blessures moins graves ou endommager la machine.

REMARQUE met en évidence des informations essentielles.

SÉCURITÉ

CONSIGNES DE SÉCURITÉ IMPORTANTES POUR L'UTILISATION DU COMPRESSEUR



AVERTISSEMENT: Une utilisation impropre du compresseur peut provoquer le décès ou des lésions physiques graves. Pour éviter ces risques, respecter les instructions de sécurité de base suivantes:

LISEZ TOUTES LES INSTRUCTIONS

1. NE TOUCHEZ PAS LES PARTIES EN MOUVEMENT.

Ne posez jamais les mains, les doigts ou toutes autres parties du corps à proximité des parties en mouvement du compresseur. Ne mettez pas vos doigts ou autre objets dans la siege du ventilateur. Telles actions sont très dangereuses et portent shocks électriques.

2. NE METTEZ JAMAIS LE COMPRESSEUR EN SERVICE SI TOUTES LES PROTECTIONS NE SONT PAS À LEUR PLACE.

Ne mettez jamais ce compresseur en service si toutes les protections ou les fonctions de sécurité ne sont pas à leur place et en condition de fonctionner de façon optimale. Si les interventions d'entretien ou d'assistance à effectuer nécessitent l'enlèvement d'une protection ou la désactivation des fonctions de sécurité, vérifiez que la protection est réinstallée et les fonctions de sécurité activées avant de remettre le compresseur en marche.

3. PORTEZ TOUJOURS DES PROTECTIONS.

Porter impérativement des lunettes de protection homologuées conformes à la norme ANSI Z87.1 avec protections latérales ou une protection oculaire équivalente. Ne dirigez jamais l'air comprimé vers des personnes ou parties du corps. Utilisez des protections auriculaires adéquates à cause du bruit important provoqué par le flux d'air durant le drainage.

4. SE PROTÉGER CONTRE LES DÉCHARGES ÉLECTRIQUES.

Empêcher tout contact du corps avec les surfaces mises à la terre, par exemple les tuyaux, radiateurs, plaques de cuisson et enceintes de réfrigération. Ce compresseur d'air doit être adéquatement mis à la terre. Ne jamais exposer le compresseur à la pluie. Ne jamais faire fonctionner le compresseur dans un endroit humide ou sur une surface mouillée. Pour éviter tout risque de choc électrique. Ne pas retirer le couvercle.

5. DÉBRANCHER LE COMPRESSEUR.

Toujours débrancher le compresseur de sa source d'alimentation et évacuer l'air comprimé de son réservoir avant toute opération de réparation, d'inspection, d'entretien, de nettoyage, de remplacement ou de vérification des pièces.

6. ÉVITER TOUTE MISE EN MARCHÉ ACCIDENTELLE.

Ne pas transporter le compresseur alors qu'il est encore raccordé à sa source d'alimentation ou que le réservoir d'air comprimé est plein. Bien s'assurer que le sélecteur de l'interrupteur barométrique se trouve sur la position «OFF» (arrêt) avant de raccorder le compresseur à son alimentation.

7. CONSERVEZ LE COMPRESSEUR COMME IL SE DOIT.

Lorsqu'il n'est pas en service, le compresseur doit être stocké dans un lieu sec. Conservez-le hors de la portée des enfants. Fermez à clé le local dans lequel il est stocké.

8. MAINTENEZ TOUJOURS LA ZONE DE TRAVAIL EN ETAT DE PROPRETE.

Le désordre sur la zone de travail peut favoriser le risque de blessures. Débarrassez toutes les zones de travail de tout objet inutile, fragments, meubles, etc.

9. PRETEZ UNE ATTENTION PARTICULIERE AUX CONDITIONS ENVIRONNEMENTALES.

La zone de travail doit être bien éclairée et correctement aérée. Risque d'incendie ou d'explosion. Ne portez pas et n'utilisez pas le compresseur ou tout autre dispositif électrique à proximité de la zone d'intervention du spray. N'utilisez pas le compresseur en présence de liquide ou de gaz inflammables. Ne positionnez jamais d'objet contre ou sur le compresseur. Lorsqu'il est en service, le compresseur produit des étincelles. Ne l'utilisez jamais dans les lieux où se trouvent des laques, peintures, carburants, solvants, de l'essence, du gaz, des agents collants ou autres matières combustibles ou explosives. N'inclinez pas le compresseur de plus de 10° lorsqu'il est en service.

10. ELOIGNEZ LES ENFANTS.

Ne permettre pas aux visiteurs de venir en contact avec la prolongue de la corde du compresseur. Eloignez les personnes étrangères aux opérations de la zone de travail.

11. PORTEZ DES VETEMENTS ADAPTES.

Ne portez pas de vêtements larges ou de bijoux susceptibles de s'accrocher dans les parties en mouvement. Portez des bonnets de protection adaptés en cas de cheveux longs.

12. FAIRE ATTENTION AU CORDON.

Ne jamais tirer brusquement sur le cordon pour le débrancher. Tenir le cordon loin des sources de chaleur, de graisse et des surfaces tranchantes.

13. PRENEZ SOIN DU COMPRESSEUR.

Suivre les instructions pour la lubrification. Contrôler périodiquement les câbles électriques et, si nécessaire, les faire réparer par un SAV autorisé. Le câble de rallonge aussi.

14. CORDONS DE RALLONGE POUR UTILISATION À L'EXTÉRIEUR.

Si l'outil doit être utilisé dehors, utiliser exclusivement des cordons de rallonge conçus pour l'extérieur et identifiés comme tels.

15. FAITES TOUJOURS ATTENTION.

Prêtez attention à ce que vous faites. Travaillez en connaissance de cause et avec du bon sens. Ne restez pas debout sur le compresseur. N'utilisez pas le compresseur en cas de fatigue. N'utilisez jamais le compresseur sous l'effet de l'alcool, de drogues ou de médicaments avec risque de somnolence.

16. CONTROLEZ L'ABSENCE DE PARTIES ENDOMMAGES OU DE FUITES D'AIR.

Avant d'utiliser le compresseur, contrôlez attentivement les protections ou autres parties apparaissant comme endommagées afin de vérifier qu'elles fonctionnent correctement et qu'elles sont capables d'assumer la fonction prévue. Contrôlez le fonctionnement des parties en mouvement, qu'elles ne sont pas enrayées, qu'il n'y a pas de composants cassés, que toutes les parties sont montées correctement, qu'il n'y a pas de fuites d'air et que toutes les autres conditions influençant le fonctionnement normal sont optimales. Les protections et autre composant endommagé doivent être réparés selon les règles de l'art ou remplacés par un centre de service après-vente autorisé à moins que d'autres instructions détaillées à ce propos ne figurent dans le présent

manuel d'instructions. Tous les switches doivent être remplacés par centres services autorisés. Ne utiliser pas le compresseur si le switch est bloqué et on ne peut pas le positionner en position on/off.

17. N'UTILISEZ JAMAIS LE COMPRESSEUR POUR DES APPLICATIONS AUTRES QUE CELLES SPECIFIEES.

N'utilisez jamais le compresseur pour des applications autres que celles spécifiées dans le manuel d'instructions. N'utilisez jamais l'air comprimé pour la respiration/respiration artificielle.

18. UTILISEZ CORRECTEMENT LE COMPRESSEUR.

Mettez le compresseur en service en respectant les instructions de ce manuel. Ne permettez pas que des enfants, toute autre personne n'ayant pas l'habitude ou du personnel non autorisé utilisent le compresseur.

19. TOUTES LES VIS, LES BOULONS ET LES PROTECTIONS DOIVENT ETRE SOLIDEMENT FIXES EN POSITION.

Vérifiez que toutes les vis, les boulons et les protections sont solidement fixés en position. Contrôlez périodiquement leur état.

20. MAINTENIR L'ÉVENT D'AÉRATION DU MOTEUR PROPRE.

L'évent d'aération du moteur doit rester propre en permanence de façon à ce que l'air puisse circuler librement. Contrôler fréquemment l'accumulation de poussière.

21. FAIRE FONCTIONNER LE COMPRESSEUR À LA TENSION NOMINALE.

Faire fonctionner le compresseur à la tension spécifiée sur la plaque signalétique. Si le compresseur est utilisé à une tension supérieure à la tension nominale, il en résultera une vitesse de rotation du moteur anormalement élevée risquant d'endommager le compresseur et de griller le moteur.

22. N'UTILISEZ JAMAIS LE COMPRESSEUR S'IL EST DEFECTUEUX OU PRESENTE DES ANOMALIES DE FONCTIONNEMENT.

Si le compresseur fonctionne de façon anormale, produit des bruits inhabituels, des vibrations ou paraît défectueux, cessez immédiatement de l'utiliser et faites-le réparer par un centre de service après-vente agréé Hitachi.

23. NE NETTOYEZ PAS LES PARTIES EN PLASTIQUE AVEC DES SOLVANTS.

Les solvants tels qu'essence, diluant, benzine, tétrachlorure de carbone et alcool risquent d'endommager et de fendre les pièces de plastique. Ne pas les nettoyer avec ce genre de produit. Pour nettoyer les pièces de plastique, utiliser un linge doux humecté d'eau savonneuse puis sécher complètement.

24. UTILISEZ UNIQUEMENT DES PIÈCES DÉTACHÉES ORIGINALES HITACHI.

L'utilisation de pièces détachées non originales Hitachi peut provoquer l'annulation de la garantie, de mauvais fonctionnement et des blessures physiques. Les pièces détachées originales Hitachi sont disponibles auprès de votre revendeur.

25. NE MODIFIEZ PAS LE COMPRESSEUR.

Ne modifiez pas le compresseur. Ne le mettez pas en service à une pression ou une vitesse excessive par rapport aux recommandations du fabricant. Contactez toujours le centre de service après-vente agréé Hitachi pour toutes les réparations. Une modification non autorisée peut non seulement compromettre les performances du compresseur mais aussi provoquer des accidents ou blessures au personnel chargé des réparations et ne possédant pas les connaissances et la compétence technique requises pour effectuer correctement les interventions de réparation.

26. DÉSACTIVER L'INTERRUPTEUR BAROMÉTRIQUE LORSQU'ON NE SE SERT PAS DU COMPRESSEUR.

Quand le compresseur ne fonctionne pas, régler le sélecteur de l'interrupteur barométrique sur «OFF», débrancher le compresseur et ouvrir le robinet de vidange pour vider le réservoir d'air comprimé.

27. NE TOUCHEZ JAMAIS LES SURFACES CHAUDES

Pour éviter tout risque de brûlures, ne pas toucher les tubes, les culasses ni les moteurs.

28. NE DIRIGEZ JAMAIS LE JET D'AIR VERS DES PARTIES DU CORPS.

Ne pas diriger les flux de l'air vers personnes ou animaux.

29. VIDEZ LE RESERVOIR

Risque d'explosion. L'eau se condense dans le réservoir d'air. S'il n'est pas vidé, le réservoir d'air est corrodé et usé par l'eau qui l'expose à des risques de ruptures. Videz le réservoir tous les jours et toutes les 4 heures d'utilisation. Pour vider le réservoir, ouvrez lentement la vanne et inclinez le compresseur pour que l'eau accumulée s'écoule.

30. NE PAS ARRÊTER LE COMPRESSEUR EN TIRANT SUR LA FICHE.

Cela pourrait endommager l'appareil. Utiliser la position «ON/OFF» du sélecteur de l'interrupteur barométrique.

31. VERIFIEZ QUE LA PRESSION DE SORTIE DU COMPRESSEUR EST PROGRAMMEE À UNE VALEUR INFÉRIEURE À LA PRESSION DE FONCTIONNEMENT MAXIMALE DE L'INSTRUMENT.

Une pression de l'air excessive provoque un danger d'explosion. Contrôlez la pression maximale nominale indiquée par le fabricant pour les instruments pneumatiques et les accessoires. La pression de sortie du régulateur ne doit jamais dépasser la valeur de la pression nominale maximale.

32. LA VANNE DE SECURITE DOIT FONCTIONNER CORRECTEMENT.

Risque d'explosion. Avant de démarrer le compresseur, tirez l'anneau sur la vanne de sécurité pour vérifier qu'elle est en mesure de se déplacer librement. Si la vanne de sécurité ne fonctionne pas comme il se doit, cela peut provoquer une surpression qui risque d'engendrer une rupture ou l'explosion du réservoir d'air.

33. L'UTILISATION DE CE PRODUIT EXPOSE L'OPERATEUR A DES PRODUITS CHIMIQUES SIGNALES PAR L'ETAT DE LA CALIFORNIE.

La poussière produite par cet appareil contient des substances chimiques qui, sur la base de ce que sait l'Etat de la Californie, causent l'apparition de cancers, de défauts congénitaux ou d'autres lésions à l'appareil reproducteur. Voici quelques exemples de ces substances chimiques:

- composés contenus dans les fertilisants
- composés contenus dans les insecticides, les herbicides et pesticides
- l'arsenic et le chrome contenus dans le bois traité chimiquement

Pour réduire l'exposition à ces produits chimiques, il est impératif de porter des équipements homologués de protection individuelle, comme les masques de protection anti-poussière spécifiquement conçus pour bloquer les particules microscopiques. L'utilisation de ce produit expose l'opérateur à des produits chimiques qui, sur la base de ce que sait l'Etat de la Californie, causent l'apparition de cancers, de défauts congénitaux ou d'autres lésions à l'appareil reproducteur. Eviter de respirer les vapeurs et la poussière et se laver soigneusement les mains après l'utilisation. Ce produit contient des substances chimiques, y compris du plomb qui sur la base de ce que sait l'Etat de la Californie, causent l'apparition de cancers, de défauts congénitaux ou d'autres lésions à l'appareil reproducteur. Se laver les mains après toute manipulation.

PIÈCES DÉTACHÉES

Lors des interventions d'assistance, utilisez uniquement des pièces détachées identiques. Les réparations doivent être effectuées par un centre de service après-vente agréé Hitachi.

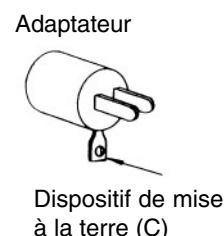
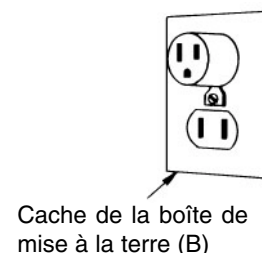
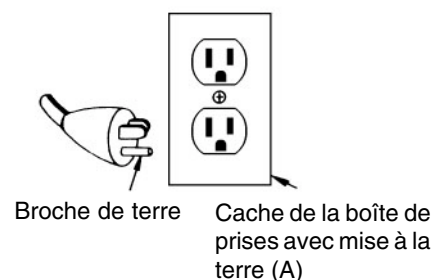
SÉCURITÉ (suite)

INSTRUCTIONS DE MISE À LA TERRE

Ce compresseur devra être mis à la terre pendant le fonctionnement de manière à protéger l'opérateur des décharges électriques. Le compresseur est doté d'un cordon à trois conducteurs et d'une fiche à trois broches qui s'insère dans une prise de courant avec mise à la terre. Le conducteur vert (ou vert et jaune) du cordon est le fil de terre. Ne jamais raccorder le fil vert (ou vert et jaune) à une prise sous tension. Si l'appareil fonctionne sous moins de 150 volts, il possède une fiche qui ressemble à celle du schéma (A) de la figure de droite. Un adaptateur (voir schémas (B) et (C)) est disponible en option pour le raccordement d'une fiche de type (A) à une prise sans mise à la terre externe. Il faudra raccorder l'oeillet ou la patte, etc. rigide de couleur verte qui fait saillie sur l'adaptateur à une terre permanente, par exemple une boîte de prises correctement mise à la terre.

Remarque: L'adaptateur de mise à la terre (schéma (C)) est interdit aux termes du Code électrique canadien, partie 1. Par conséquent, les instructions qui s'y rapportent ne sont pas applicables au Canada.

Il est recommandé de ne jamais démonter le compresseur ou d'essayer de refaire le câblage du système électrique. Les réparations seront exclusivement effectuées par un centre de service après-vente Hitachi ou tout autre centre de réparation agréé. Si l'on décide de faire la réparation soi-même, bien avoir à l'esprit que le fil de couleur verte est le fil de «terre». Ne jamais raccorder ce fil vert à une prise «sous tension». Si l'on remplace la fiche du cordon d'alimentation, bien raccorder le fil vert uniquement à la broche de terre (la plus longue) d'une fiche avec mise à la terre. En cas de doute, consulter un électricien qualifié ou faire vérifier la mise à la terre de la prise.



CORDON DE RALLONGE

Utiliser exclusivement des cordons de rallonge avec fiche de mise à la terre à trois broches et des prises à trois pôles capables de recevoir la fiche du compresseur. Remplacer ou faire remplacer le cordon s'il est endommagé. Vérifier que le cordon de rallonge est en bon état. Lorsqu'on utilise un cordon de rallonge, veiller à ce que la valeur de son courant maximal admissible soit suffisamment élevée pour qu'il puisse supporter le courant dont l'appareil aura besoin. L'utilisation d'un cordon sous dimensionné provoquera une chute de tension en ligne entraînant perte de puissance et surchauffe. Le tableau indique le calibre à utiliser en fonction de la longueur du cordon et de l'intensité nominale indiquée sur la plaque signalétique. En cas de doute, utiliser un cordon de calibre supérieur. Plus le numéro de calibre est petit, plus le cordon peut supporter un courant élevé.

CALIBRE MINIMAL DES CORDONS

Intensité nominale Supérieure à	Intensité nominale Inférieure ou égale à	Longueur totale du cordon en pieds (mètres)				CALIBRE
		0 – 25 (0 – 7.6)	26 – 50 (7.9 – 15.2)	51 – 100 (15.5 – 30.5)	101 – 150 (30.8 – 45.7)	
0	- 6	18	16	16	14	
6	- 10	18	16	14	12	
10	- 12	16	16	14	12	
12	- 16	14	12	Non recommandé		

AVERTISSEMENT: Éviter tout risque de décharge électrique. Ne jamais utiliser le compresseur avec un cordon électrique ou un cordon de rallonge endommagé ou dénudé. Inspecter régulièrement les cordons électriques. Ne jamais utiliser dans l'eau ou à proximité de l'eau, ou dans un environnement susceptible de provoquer des décharges électriques.

CONSERVER CES INSTRUCTIONS ET LES METTRE À LA DISPOSITION DES PERSONNES QUI VONT UTILISER L'APPAREIL!

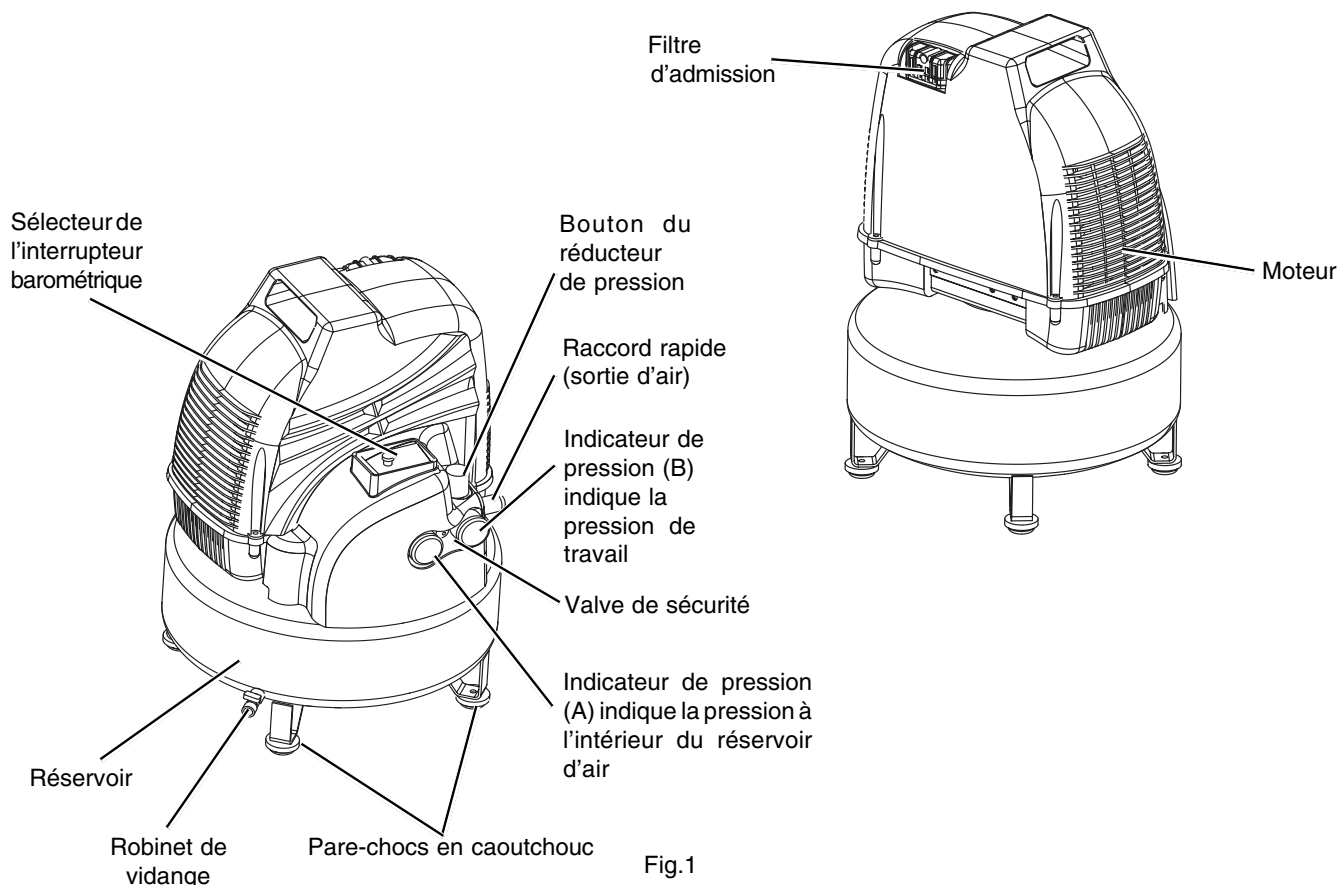
UTILISATION ET ENTRETIEN

REMARQUE:

Les informations figurant dans ce manuel d'instructions sont conçues pour assister l'utilisateur pour un emploi et un entretien du compresseur en toute sécurité.

Certaines illustrations du manuel d'instructions peuvent présenter des détails ou équipements différents de ceux présents sur votre compresseur.

NOM DES COMPOSANTS



SPECIFICATIONS

Modèle	EC79	
Moteur	Moteur à induction monophasé	
Alimentation	Monophasée, 120 V – 60 Hz	
Puissance de sortie	1.5 HP (1,1KW)	
Courant	12,5 A	
Contenance du réservoir	6 US gal. (22.7 ltr)	
Pression maximale	135 PSI (9.3 bar)	
Refolement d'air libre	at 40 PSI (2.8 bar)	3.6 CFM (102 ltr/min)
	at 90 PSI (6.2 bar)	2.7 CFM (76 ltr/min)
	at 100 PSI (6.9 bar)	2.5 CFM (71 ltr/min)
Lubrification	Huile	

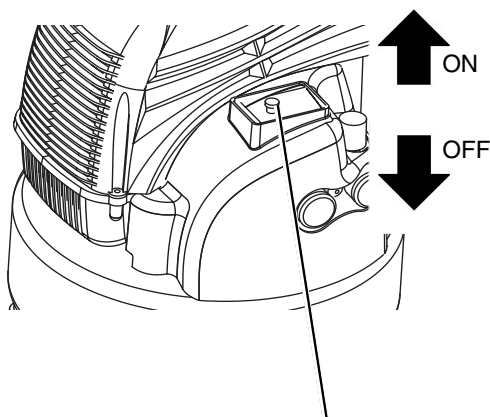
APPLICATION

Source d'air de la cloueuse et de l'agrafeuse pneumatique.

AVERTISSEMENT: N'utilisez jamais le compresseur pour des applications autres que celles prévues par le compresseur pour cloueuse et agrafeuse pneumatique.

AVANT L'UTILISATION

1. Source d'alimentation
Vérifier que la source d'alimentation que l'on prévoit d'utiliser est conforme aux spécifications mentionnées sur la plaque signalétique de l'appareil.
2. Interrupteur d'alimentation
Vérifier que le sélecteur de l'interrupteur barométrique se trouve sur la position «OFF» (Fig. 2). Si l'on branche la fiche dans la prise alors que le sélecteur de l'interrupteur barométrique se trouve sur «ON», le compresseur se mettra en marche immédiatement, risquant de causer de graves blessures.



Sélecteur de l'interrupteur barométrique

Fig.2

3. Cordon de rallonge
Si l'aire de travail est éloignée de la source d'alimentation, utiliser un cordon de rallonge de diamètre et de courant nominal suffisants (Voir page 13). Le cordon de rallonge devra être le plus court possible.

AVERTISSEMENT: Tout cordon endommagé devra être remplacé ou réparé.

4. Vérifier la prise d'alimentation
Si la fiche ne peut s'insérer solidement dans la prise d'alimentation, réparer la prise. Confier les réparations à un magasin d'appareils électriques. Si l'on utilise une prise défectueuse, on risque des provoquer une surchauffe, ce qui pourrait être très dangereux.
5. Position de fonctionnement correcte
Positionner le compresseur sur une surface plate ou sur une surface avec une inclinaison de moins de 10°, dans un endroit bien ventilé, à l'écart des agents atmosphériques et pas dans un endroit explosif.

PRÉCAUTION: Pour éviter d'endommager le compresseur d'air, ne pas l'incliner à plus de 10° lorsqu'il fonctionne.

REMARQUE: Quand on utilise ou on range le compresseur, appliquer les 4 protections en caoutchouc, en bas, sur le sol (Consulter la Fig. 1).

6. Température
Les températures de fonctionnement sont comprises entre 0 et 40°C (32 et 104°F).

PRÉCAUTION: Ne jamais mettre en marche si la température est inférieure à 0°C (32°F) ou supérieure à 40°C (104°F).

TRANSPORT

Appuyer sur le bouton du commutateur de pression pour le mettre en position «OFF» et déconnecter le compresseur de la source de courant avant de le déplacer. Transporter le compresseur de la façon correcte.

FONCTIONNEMENT

1. Démarrage
Brancher la fiche dans la prise et mettre le compresseur en marche en positionnant le sélecteur de l'interrupteur barométrique sur «ON» (Voir Fig. 2).

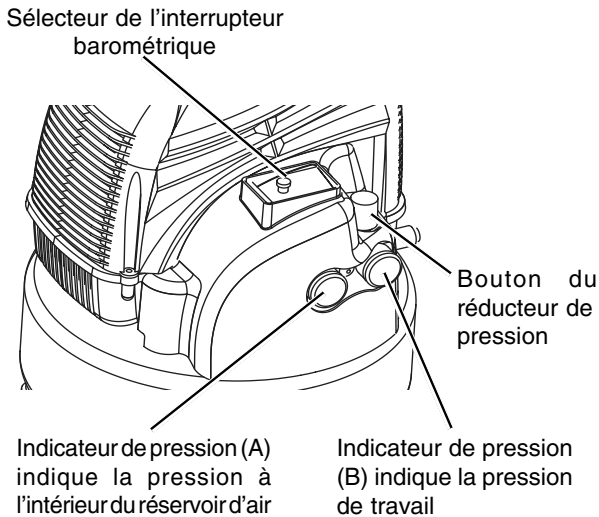
AVERTISSEMENT: Ne pas arrêter ou démarrer le compresseur au moyen de la fiche. Toujours utiliser la position «ON/OFF» du sélecteur de l'interrupteur barométrique.

Le fonctionnement du compresseur est automatique, il est contrôlé par l'interrupteur barométrique qui l'arrête lorsque la pression de l'air contenu dans le réservoir atteint la valeur maximale, et qui le redémarre lorsque cette pression retombe sous le seuil de redémarrage en cours d'utilisation. Le moteur du compresseur est équipé d'un dispositif de protection thermique à l'intérieur de l'emballage, qui arrête le compresseur en cas de température trop élevée. Si ce dispositif se déclenche, le compresseur s'arrête et redémarre automatiquement après 15-20 minutes.

PRÉCAUTION: Pendant l'utilisation, porter un dispositif adéquat de protection individuelle pour l'ouïe. En effet, dans certaines conditions et/ou en cas d'exposition prolongée, le bruit émis par ce produit peut contribuer à augmenter le risque de surdité.

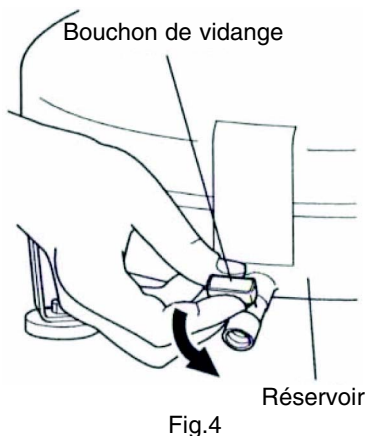
2. Réglage de la pression de travail
Déverrouiller le bouton du réducteur de pression en tirant dessus; régler la pression à la valeur désirée en tournant dans le sens des aiguille d'une montre pour l'augmenter, ou dans le sens opposé pour la diminuer. Un indicateur de pression (B) permet de visualiser quand la valeur désirée est atteinte; pour verrouiller le bouton appuyer à fond dessus. (Voir Fig.3) Lorsqu'on vérifie la pression, bien s'assurer que le manomètre de pression du réservoir a un niveau de pression supérieur à celui de la pression à régler. De même, il faudra impérativement effectuer le réglage en démarrant la pression lentement à partir d'un niveau inférieur à la pression à régler.

AVERTISSEMENT: Contrôlez la pression nominale maximale indiquée par le fabricant pour les cloueuses, agrafeuses et accessoires. La pression de sortie du compresseur doit être réglée de façon qu'elle ne dépasse jamais la pression nominale maximale des cloueuses, agrafeuses et accessoires.



3. Arrêt Fig.3
- (1) Positionner le sélecteur de l'interrupteur barométrique sur «OFF» (Voir Fig. 1 et Fig. 2).
 - (2) Débrancher la fiche de la source d'alimentation.
 - (3) Ouvrir le bouchon de vidange qui se trouve sous la partie inférieure du réservoir (Fig. 4).

AVERTISSEMENT: Risque d'explosion. Si le réservoir est corodé, des pannes risquent de survenir. L'eau se condense à l'intérieur du réservoir d'air. Si ce dernier n'est pas vidé, il est soumis à la corrosion et à l'usure à cause de l'eau, ce qui risque de provoquer des ruptures. Videz le réservoir tous les jours et toutes les 4 heures d'utilisation. La condensation évacuée contient l'humidité présente dans l'air, des particules abrasives, de la rouille, etc. Pour vider le réservoir, ouvrez lentement la vanne et inclinez le compresseur pour que l'eau accumulées s'écoule. N'approchez pas le visage et les yeux du robinet de vidange.



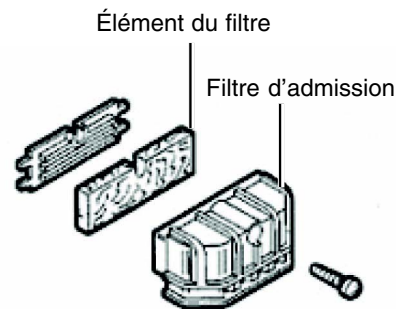
ENTRETIEN

AVERTISSEMENT: Débrancher le compresseur de sa source d'alimentation et vider le réservoir d'air comprimé avant toute opération d'entretien. Laisser le compresseur refroidir avant de réaliser toute opération d'entretien.

1. Nettoyage du filtre d'admission
Retirer le filtre d'admission (Voir Fig. 1) toutes les 50 heures ou une fois par semaine, et en nettoyer l'intérieur ainsi que son élément à l'air comprimé (Fig. 5). Utiliser un tournevis Philips pour démonter les filtres d'admission.

AVERTISSEMENT: Ne jamais nettoyer l'élément du filtre avec un liquide ou un solvant inflammable.

PRÉCAUTION: Ne pas faire fonctionner l'appareil sans le filtre d'admission.



REMARQUE: Remplacez le filtre lorsqu'il est sale.

2. Vidange du réservoir
Vidanger le réservoir tous les jours ou toutes les 4 heures d'utilisation. Ouvrir le robinet de vidange et incliner le compresseur pour vider l'eau qui s'est accumulée (Voir Fig.4).

SERVICE APRÈS-VENTE ET RÉPARATIONS

Même les compresseurs de qualité finissent par nécessiter un entretien ou un remplacement de pièces sous l'effet d'une usure normale. Pour être sûr de n'utiliser que des pièces de rechange agréées confier EXCLUSIVEMENT tout entretien et toute réparation à un CENTRE DE SERVICE APRÈS-VENTE HITACHI AGRÉÉ.

REMARQUE: Ces spécifications sont susceptibles d'être modifiées sans préavis de la part d'HITACHI.

INFORMACIONES IMPORTANTES

Leer atentamente todas las instrucciones de funcionamiento, las precauciones de seguridad y las advertencias contenidas en el manual de instrucciones antes de poner en funcionamiento o someter este compresor a cualquier tipo de mantenimiento.

La mayor parte de los accidentes que derivan del uso y mantenimiento del compresor es debida al incumplimiento de las normas o precauciones básicas de seguridad. Frecuentemente, es posible evitar accidentes reconociendo una situación potencialmente peligrosa antes de que ésta se verifique, si se observan los procedimientos de seguridad adecuados.

Las precauciones básicas están resumidas en la sección "SEGURIDAD" del presente Manual de instrucciones y en las secciones que contienen las instrucciones de uso y mantenimiento.

Los riesgos que se deben evitar para prevenir accidentes a las personas o daños a la máquina están identificados con la señal de ADVERTENCIA en el compresor y en el manual de instrucciones.

No usar nunca el compresor en modo distinto al específicamente recomendado por HITACHI, excepto que se haya controlado y verificado antes que el uso planificado es seguro para el usuario y para terceros.

SIGNIFICADO DE LAS PALABRAS DE SEÑALIZACIÓN

ADVERTENCIA indica una situación potencialmente peligrosa que, si es ignorada, podría causar lesiones personales graves.

PRECAUCIÓN indica una situación potencialmente peligrosa que, de no ser evitada, puede ser causa de lesiones menores o de moderada gravedad o dañar la máquina.

NOTA pone en evidencia informaciones esenciales.

SEGURIDAD

INSTRUCCIONES IMPORTANTES DE SEGURIDAD PARA LA UTILIZACIÓN DEL COMPRESOR

 **ADVERTENCIA:** Un uso impropio o inseguro del compresor puede causar la muerte o lesiones físicas graves. Para evitar estos riesgos, observar estas instrucciones básicas de seguridad:

LEER TODAS LAS INSTRUCCIONES

1. NO TOCAR LAS PIEZAS MÓVILES.

No apoyar nunca las manos, los dedos u otras partes del cuerpo cerca de las partes móviles del compresor. No introducir nunca los dedos u otros objetos dentro de la protección del ventilador. Esto comporta el riesgo de accidentes y choques eléctricos.

2. NO PONER NUNCA EL COMPRESOR EN FUNCIONAMIENTO SI TODOS LOS RESGUARDOS NO ESTÁN EN SU RESPECTIVA POSICIÓN.

No poner nunca en funcionamiento el compresor si todos los resguardos o dispositivos de seguridad no están en su respectiva posición y en condiciones de ejercicio adecuadas. Si las operaciones de mantenimiento o asistencia que se han de efectuar requieren la remoción de un resguardo de protección o dispositivo de seguridad, verificar que se vuelvan a instalar los resguardos o dispositivos de seguridad antes de volver a usar el compresor.

3. USAR SIEMPRE EQUIPOS DE PROTECCIÓN INDIVIDUAL.

Riesgo de lesiones. Usar siempre gafas protectoras conformes a la norma ANSI Z87.1, con protección lateral o protección ocular equivalente. No dirigir nunca el aire comprimido hacia personas o partes del cuerpo. Usar adecuadas protecciones del oído a causa del intenso ruido del flujo de aire durante el drenaje.

4. PROTÉJASE CONTRA CHOQUES ELÉCTRICOS.

Prevenir que su cuerpo tenga contacto con superficies con toma de tierra, tales como tubos, radiadores, estufas, y los recintos del refrigerador. Este compresor de aire debe estar adecuadamente conectado a tierra. No exponer el compresor a la lluvia. Nunca operar la compresora en lugares húmedos o mojados. Para reducir el riesgo de descargas eléctricas, no quite la cubierta.

5. DESCONECTAR EL COMPRESOR.

Antes de iniciar cualquier servicio, inspección, mantenimiento, limpieza, reemplazo, o al examinar cualquier pieza, desconecte siempre el compresor de la toma de corriente y remueva el aire comprimido del tanque.

6. MARCHA NO-INTENCIONAL.

No porte el compresor mientras esté conectado a la fuente de corriente eléctrica o cuando el tanque de aire esté lleno de aire comprimido. Asegure que el selector de presión indique apagado "OFF" antes de conectar la compresora a la corriente eléctrica.

7. CONSERVAR EL COMPRESOR EN MODO ADECUADO.

Cuando no está en uso, el compresor se debe guardar en un lugar cerrado y seco. Tener alejado del alcance de los niños. Cerrar con llave el lugar en donde se guarda.

8. MANTENER SIEMPRE DESPEJADA EL ÁREA DE TRABAJO.

El desorden en la zona de trabajo puede favorecer el riesgo de lesiones. Quitar de la zona de trabajo todos los instrumentos no necesarios, residuos, muebles, etc.

9. CUIDAR LAS CONDICIONES DEL LUGAR DE TRABAJO.

Mantenga el área de trabajo bien iluminada y ventilada. Riesgo de fuego o de explosión. No llevar ni operar el compresor ni dispositivo eléctrico alguno cerca del área del rociado. No utilice el compresor

cerca de líquidos, ni gases inflamables. No colocar nunca objetos contra el compresor o encima del mismo. El compresor produce chispas durante la operación. No utilice el compresor en lugares en donde haya laca, pintura, bencina, deluidor de pintura, gasolina, gases, compuestos adhesivos, ni materiales que sean combustibles o explosivos. Para evitar dañar el compresor de aire, no permita que la unidad esté inclinada más de 10° al operar.

10. MANTENER ALEJADO DEL ALCANCE DE LOS NIÑOS.

No permitir a extraños que entren en contacto con el cable de prolongación del compresor. Mantener alejados de la zona de trabajo a los extraños.

11. USAR ROPA ADECUADA.

No usar ropa amplia o joyas que puedan enredarse en las partes móviles. Usar cascos de protección especiales para contener el cabello largo.

12. NO MALTRATE EL CABLE.

Nunca tire del cable para desenchufarlo de la fuente de corriente eléctrica. Mantenga el cable alejado de calor, aceites, y bordes cortantes.

13. MANTENER EL COMPRESOR CON CUIDADO.

Seguir las instrucciones para la lubricación. Controlar los cables eléctricos periódicamente y, si están dañados, hacerlos reparar por un centro de asistencia autorizado. Verificar el cable de prolongación periódicamente y sustituirlo si está dañado.

14. CABLES PROLONGADORES PARA EL USO EXTERIOR.

Cuando la compresora esté en uso exteriormente, use solamente cable de extensión designado para el uso al aire libre (exterior) así descrita en su etiqueta.

15. PRESTAR ATENCIÓN SIEMPRE.

Prestar atención al efectuar todas las maniobras. Trabajar con conciencia y sentido común. No ponerse de pie sobre el compresor. No usar el compresor cuando se está cansado. No usar nunca el compresor bajo el efecto de alcohol, drogas o fármacos que causen somnolencia.

16. CONTROLAR QUE NO HAYA PIEZAS DAÑADAS NI PÉRDIDAS DE AIRE.

Antes de cada uso del compresor, controlar atentamente los resguardos u otras piezas que parezcan dañadas, para asegurarse de su correcto funcionamiento y capacidad de realizar las funciones previstas. Controlar el funcionamiento de las piezas móviles, que no se encuentren obstruidas y no que haya componentes rotos, que todas las piezas estén montadas correctamente, que no se verifiquen pérdidas de aire y que todas las otras condiciones que puedan afectar el funcionamiento normal sean óptimas. En caso de resguardos o cualquier otro componente dañado, estos deberán ser perfectamente reparados o reemplazados por un centro de asistencia autorizado, excepto que en el presente manual de instrucciones no se den instrucciones detalladas al respecto. Hacer sustituir los presostatos defectuosos por un centro de asistencia autorizado. No usar el compresor si el interruptor no se mueve entre on y off (encendido y apagado).

17. NO USAR NUNCA EL COMPRESOR PARA APLICACIONES DIFERENTES A LAS ESPECIFICADAS.

No usar nunca el compresor para aplicaciones diferentes a las especificadas en el Manual de instrucciones. No usar nunca aire comprimido para la respiración o respiración artificial.

18. USAR CORRECTAMENTE EL COMPRESOR.

Poner en funcionamiento el compresor ateniéndose a las instrucciones que se proporcionan en este manual. No permitir que usen el compresor niños o personas que no tengan familiaridad con su funcionamiento ni personal no autorizado.

19. MANTENER LOS TORNILLOS, BULONES Y RESGUARDOS BIEN FIJADOS EN SU POSICIÓN.

Tener los tornillos, bulones y resguardos bien fijados en su posición. Controlar periódicamente las condiciones de los mismos.

20. MANTENGA EL RESPIRADERO DEL MOTOR LIMPIO.

El respirador del motor deberá mantenerse limpio para que el aire pueda circular libremente en todo momento. Verificar con frecuencia si existen acumulación de polvo.

21. OPERAR EL COMPRESOR AL VOLTAJE ESPECIFICADO.

Operar la compresor al voltaje especificado en su etiqueta. Si el compresor está en uso a un voltaje mayor que el voltaje especificado, resultaría en la anormal rápida revolución del motor, y pudiera producir daños a la unidad y quemar el motor.

22. NO USAR NUNCA EL COMPRESOR SI PRESENTA DEFECTOS O IRREGULARIDADES EN SU FUNCIONAMIENTO.

Si el compresor funciona en modo anormal, emite ruidos o vibraciones o presenta otro tipo de defectos, interrumpir inmediatamente el uso y hacerlo reparar por un centro de asistencia autorizado de Hitachi.

23. NO LIMPIAR LAS PIEZAS DE PLÁSTICO CON DISOLVENTES.

Los disolventes tales como petróleo, diluyentes, benceno y alcohol pueden dañar y romper las partes de plástico. No usar dichos disolventes para la limpieza. Limpiar las partes de plástico con un paño suave ligeramente humedecido con agua y jabón y secar con cuidado.

24. USAR SÓLO PIEZAS DE RESPUESTO HITACHI ORIGINALES.

El uso de piezas de repuesto distintas a las originales de Hitachi puede causar la pérdida de validez de la garantía, provocar malfuncionamientos y consiguientes lesiones físicas. Las piezas de repuesto Hitachi originales están disponibles en las tiendas de los distribuidores.

25. NO MODIFICAR EL COMPRESOR.

No modificar el compresor. No ponerlo en función bajo presión o velocidad excesivas respecto a los valores recomendados por el fabricante. Contactar siempre el centro de asistencia autorizado de Hitachi para todas las reparaciones. Una modificación no autorizada puede no sólo afectar las prestaciones del compresor sino también provocar accidentes al personal encargado de las reparaciones que no disponen de los conocimientos y competencias técnicas requeridas para efectuar correctamente las operaciones de reparación.

26. COLOQUE EL DISYUNTOR NEUMÁTICO A ("OFF") APAGADO CUANDO EL COMPRESOR NO ESTE EN USO.

Cuando no vaya a utilizar el compresor, ponga el mando del disyuntor neumático en OFF, desconéctelo de la fuente de electricidad, y abra el grifo de drenaje para descargar el aire comprimido del tanque de aire.

27. NO TOCAR NUNCA LAS SUPERFICIES CALIENTES

Para reducir el riesgo de quemaduras, no toque los tubos, la culata del cilindro, los cilindros, ni el motor.

28. NO DIRIGIR NUNCA EL CHORRO DE AIRE HACIA PARTES DEL CUERPO.

Riesgo de accidente, no dirigir el flujo de aire hacia personas o animales.

29. VACIAR EL DEPÓSITO

Riesgo de explosión. El agua se condensa en el depósito de aire. Si no se vacía, el agua puede corroer y desgastar el depósito de aire, exponiéndolo a riesgos de rotura. Vaciar el depósito diariamente o después de 4 horas de uso. Para vaciar el depósito, abrir lentamente la válvula e inclinar el compresor para hacer salir el agua acumulada.

30. NO PARE EL COMPRESOR TIRANDO DEL ENCHUFE.

Esto podría producir daños a la unidad. Utilice el mando "ON/OFF" del disyuntor neumático.

31. VERIFICAR QUE LA PRESIÓN DE SALIDA DEL COMPRESOR ESTÉ ESTABLECIDA EN UN VALOR INFERIOR A LA PRESIÓN MÁXIMA DE FUNCIONAMIENTO DEL INSTRUMENTO.

Una presión de aire excesiva provoca el peligro de explosión. Controlar la máxima presión nominal indicada por el fabricante para los instrumentos neumáticos y accesorios. La presión de salida del regulador no deberá superar nunca el valor de presión máxima nominal.

32. LA VÁLVULA DE SEGURIDAD DEBERÁ FUNCIONAR CORRECTAMENTE.

Riesgo de explosión. Antes de encender el compresor, tirar de la anilla de la válvula de seguridad para verificar que la válvula pueda moverse libremente. Si la válvula de seguridad no funciona correctamente, puede verificarse un exceso de presurización que podría provocar la rotura o explosión del depósito de aire.

33. EL USO DE ESTE PRODUCTO LO EXPONDRÁ A PRODUCTOS QUÍMICOS QUE EN EL ESTADO DE CALIFORNIA

Algunos polvos producidos por este producto contiene n sustancias químicas que, por lo que sabe en el Estado de California, pueden provocar cáncer, defectos congénitos y otros daños reproductivos. Algunos ejemplos de estas sustancias son:

- compuestos de fertilizantes;
- compuestos de insecticidas, herbicidas y pesticidas,
- arsénico y cromo provenientes de madera de construcción tratada químicamente.

Para reducir la exposición a estas sustancias químicas, usar equipos de protección aprobados tales como máscaras antipolvos, especialmente diseñadas para filtrar las partículas microscópicas. El uso de este producto expone a sustancias químicas que, por lo que sabe en el Estado de California, pueden causar cáncer, defectos congénitos y otros daños reproductivos. Evitar inhalar vapores y polvos y lavarse las manos después de usar. Este producto contiene sustancias químicas, tales como plomo, que, por lo que se sabe en el Estado de California, causan cáncer, defectos congénitos y daños reproductivos. Lavarse las manos antes de usar.

PIEZAS DE REPUESTO

Cuando se efectúan operaciones de asistencia, usar únicamente piezas de repuesto idénticas. Las reparaciones deberán ser efectuadas exclusivamente por un centro de asistencia autorizado por Hitachi.

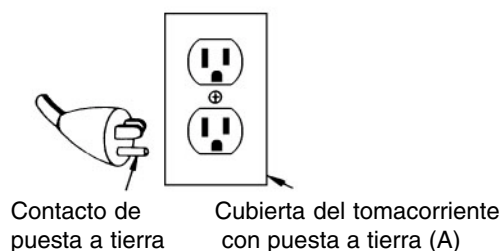
SEGURIDAD — Continuación

INSTRUCCIONES PARA LA PUESTA A TIERRA

Este compresor debe conectarse a tierra mientras esté en uso para proteger al operador de choques eléctricos. El compresor está equipado con un cable de tres conductores, y enchufe de tres terminales para encajar en un tomacorriente de tipo puesta a tierra. El conductor verde (o verde y amarillo) del cable es la puesta a tierra. Nunca conecte el conductor verde (o verde y amarillo) a un terminal activo. Si su unidad es para utilizarse con menos de 150 voltios, tendrá un enchufe como el mostrado en la ilustración (A) la tomacorrientes de dos contactos, existen adaptadores [C], e ilustrado en (B). La lengüeta rígida, el contacto, o el conductor de color verde del adaptador deberá conectarse a tierra permanente, como en el caso de un tomacorrientes adecuadamente puesto a tierra.

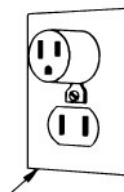
Nota: El adaptador par puesta a tierra [C] está prohibido en Canadá por Código eléctrico canadiense, Parte 1. Por lo tanto, las instrucciones para su utilización no se aplican en Canadá.

Le recomendamos que nunca desarme el compresor ni trate de cambiar el sistema eléctrico. Cualquier reparación deberá ser realizada solamente por centros de servicio autorizados por Hitachi u otros organizaciones de servicio cualificadas. Si decide reparar el compresor usted mismo, tenga en cuenta que el conductor de color verde es del "puesta a tierra". Nunca conecte este conductor verde a un terminal "activo". Si reemplaza el enchufe del cable de corriente, cerciorarse de conectar el conductor verde solamente al contacto de puesta a tierra (más largo) de un enchufe de 3 contactos. Si tiene dudas, llame a un electricista cualificado y haga que le compruebe la puesta del tomacorriente.



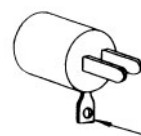
Contacto de puesta a tierra

Cubierta del tomacorriente con puesta a tierra (A)



Cubierta del tomacorriente con puesta a tierra (B)

Adaptador



Lengüeta de puesta a tierra (C)

CABLE PROLONGADOR

Utilice solamente cables prolongadores que posean enchufes y tomacorrientes de tres contactos con puesta a tierra que acepten el enchufe del cable del compresor. Reemplace o repare los cables dañados. Cerciórese de que el cable prolongador esté en buenas condiciones. Cuando utilice un cable prolongador, cerciórese de que posea el calibre suficiente para dar paso a la corriente que su producto necesita. Un cable de menor calibre causaría una caída en voltaje en la línea, lo que resultaría en pérdida de potencia y recalentamiento. En la tabla siguiente se muestra el calibre correcto a utilizar dependiendo de la longitud del cable y el amperaje indicado en la placa de características. En caso de alguna duda, utilice un cable de mayor calibre siguiente. Cuanto menor sea el número de calibre, más pesado es el cable.

CALIBRE MÍNIMO PARA LOS CABLES

Amperaje		Longitud total del cable en pies (Metros)				CALIBRE
		0 – 25 (0 – 7.6)	26 – 50 (7.9 – 15.2)	51 – 100 (15.5 – 30.5)	101 – 150 (30.8 – 45.7)	
Más de	No más de					
0	-	6	18	16	16	14
6	-	10	18	16	14	12
10	-	12	16	16	14	12
12	-	16	14	12	No recomendado	

⚠️ ADVERTENCIA: Evite el riesgo de choque eléctricas. No utilice nunca este compresor con un cable de eléctrico dañado o frágil, lo mismo es aplicable a un cable prolongador. Inspeccione regularmente los cables eléctricos. Nunca utilice el compresor en agua, ni cerca del agua, ni en un ambiente en que puedan producirse choques eléctricos.

¡GUARDE ESTAS INSTRUCCIONES Y PÓNGALAS A DISPOSICIÓN DE OTROS USUARIOS DE ESTA HERRAMIENTA!

USO Y MANTENIMIENTO

NOTA:

Las informaciones contenidas en este Manual de instrucciones han sido concebidas para asistir al usuario en el uso y mantenimiento seguros del compresor.

Algunas ilustraciones contenidas en el Manual de instrucciones pueden mostrar detalles o equipos diferentes a los que se encuentran en el compresor en uso.

NOMBRE DE LOS COMPONENTES

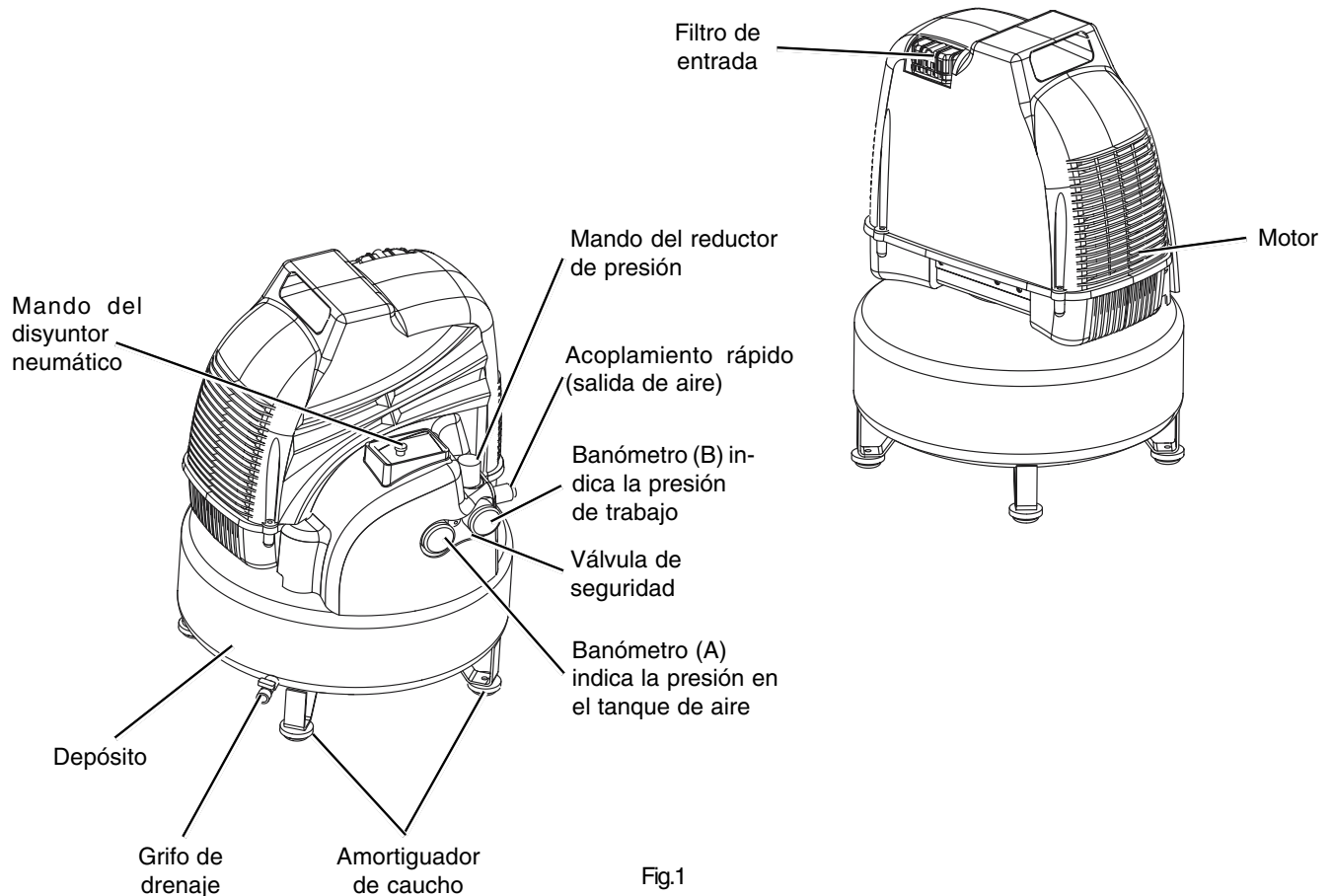


Fig.1

ESPECIFICACIONES TÉCNICAS

Modelo	EC79	
Motor	Motor de inducción, monofásico	
Fuente de energía	120V CA 60Hz monofásica	
Potencia de salida	1.5 HP (1.1KW)	
Corriente	12.5 A	
Capacidad del depósito	6 US galones (22.7litros)	
Presión máxima	135 PSI (9.3 barías)	
Distribución de aire libre	at 40 PSI (2.8 barías)	3.6 CFM (102 litros/min)
	at 90 PSI (6.2 barías)	2.7 CFM (76 litros/min)
	at 100 PSI (6.9 barías)	2.5 CFM (71 litros/min)
Lubricación	Sin aceite	

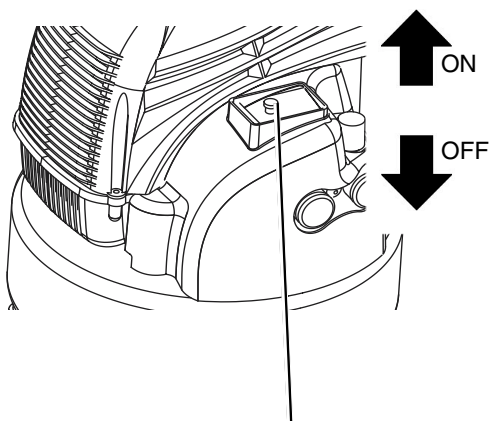
APLICACIONES

Fuente de aire de remachadoras y engrapadoras neumáticas.

ADVERTENCIA: No usar nunca el compresor para una aplicación diferente a la de compresor para remachadoras y engrapadoras neumáticas.

ANTES DE LA OPERACIÓN

1. Fuente de energía
Cerciórese de que la fuente de energía utilizada esté de acuerdo con los requisitos de alimentación especificados en la placa de características del producto.
2. Interruptor de energía
Cerciórese de que el mando del disyuntor neumático esté en la posición "OFF". Si inserta el enchufe a un tomacorriente con el mando en la posición "ON" (Fig.2), el compresor comienza inmediatamente a funcionar y podría causar lesiones serias.



Mando del disyuntor neumático

Fig.2

3. Cable prolongador
Cuando el área de trabajo esté alejada de la fuente de energía, utilice un cable prolongador de calibre y capacidad nominal suficientes (Consulte la página 20). El cable prolongador deberá mantenerse lo más corto posible.

ADVERTENCIA: Si el cable está dañado deberá reemplazar o repararlo.

4. Confirmación del tomacorriente
Si el tomacorriente solo acepta el enchufe de forma floja, el receptáculo debe ser reparado. Póngase en contacto con un taller eléctrico para servicio de reparación. Si tal receptáculo dañado es usado, podría causar recalentamiento resultando en serio peligro.

5. Posición correcta de funcionamiento
Posicione el compresor sobre una superficie plana o con una inclinación máxima de 10°, en un lugar ventilado, alejado de los agentes atmosféricos y fuera de las áreas explosivas.

PRECAUCIÓN: Para evitar dañar el compresor de aire, no permita que la unidad esté inclinada más de 10° al operar.

NOTA: Cuando se usa o se guarda el compresor, colocar 4 parachoques de goma debajo del piso del compresor (Consulte la Fig. 1).

6. Temperatura
La temperatura de funcionamiento está comprendida a entre 32 °F y 104 °F (0 °C y 40 °C).

PRECAUCIÓN: No usar nunca a temperatura inferior a 32 °F (0 °C) ni superior a 104 °F (40 °C).

TRANSPORTE

Antes de mover el compresor, presione la perilla del interruptor de presión para ponerla en "OFF" y desconecte la fuente de alimentación. Transporte el compresor de la manera correcta.

OPERACIÓN

1. Puesta en funcionamiento
Inserte el enchufe en un receptáculo y ponga en funcionamiento el compresor girando el mando del disyuntor neumático hasta "ON" (Consulte la Fig. 2).

ADVERTENCIA: No pare ni ponga en funcionamiento el compresor utilizando el enchufe. Utilice siempre el mando "ON/OFF" del disyuntor neumático.

La operación del compresor es automática y su control es mediante el disyuntor neumático que lo apaga cuando la presión del depósito de aire alcanza el nivel máximo, y lo vuelve a poner en funcionamiento cuando la presión de aire disminuye durante su uso recargando al nivel inicial. El motor del compresor está dotado de protección térmica dentro del arrollamiento, lo que hace detener el compresor cuando la temperatura es demasiado elevada. En caso de desconexión, el compresor vuelve a arrancar automáticamente después de 15- 20 minutos.

PRECAUCIÓN: Usar protecciones adecuadas para los oídos durante el funcionamiento. Duran te el funcionamiento y en determinadas condiciones, el ruido que produce este producto puede causar pérdida de audición.

2. Ajuste la presión de trabajo
Desenganche el mando del reductor de presión tirando de él hacia arriba, y ajuste la presión hasta el nivel requerido girándolo hacia la derecha para aumentar y hacia la izquierda para reducirla. Existe un manómetro (B) para saber cuando se ha alcanzado la presión requerida. Cierre el mando empujándolo firmemente hacia abajo (consulte la Fig.3). Cuando ajuste la presión, verifique que el manómetro del tanque marque un nivel de presión superior a la presión que se va a ajustar. Asimismo, es imperativo realizar el ajuste aumentando lentamente la presión desde un nivel inferior a la presión que se va a ajustar.

ADVERTENCIA: Compruebe la presión máxima indicada por el fabricante del martillo, o grapador, y los accesorios neumáticos. La presión de salida del compresor deberá regularse de forma que la presión máxima indicado por el fabricante del martillo, el grapador y los accesorios, nunca aplicar excede de presión.

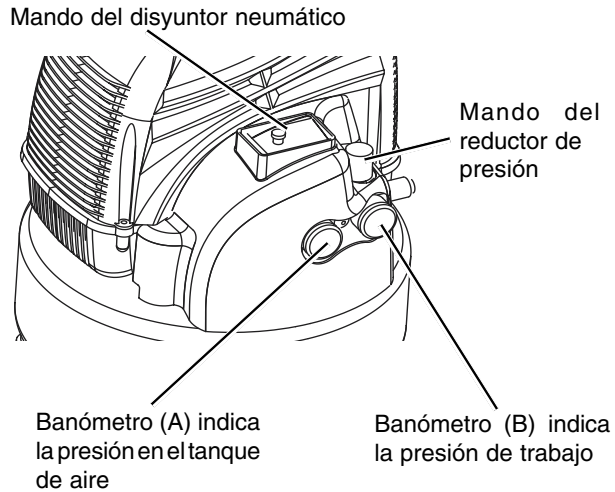


Fig.3

3. Cierre
- (1) Gire el mando del disyuntor neumático hasta la posición "OFF" (Consulte la Fig. 1 y la Fig. 2).
 - (2) Desconecte el enchufe del tomacorriente.
 - (3) Abra el grifo de drenaje situado en la parte inferior del depósito (Fig. 4).

ADVERTENCIA: Riesgo de explosión. Si el depósito está oxidado, existe el riesgo de fallo. El agua se condensa en el depósito de aire. Si no se vacía, el agua corroe y desgasta el depósito de aire, exponiéndolo a riesgos de rotura. Vaciar el depósito diariamente o después de 4 horas de uso. Los gases de escape contienen la humedad presente en el aire, partículas abrasivas, óxido, etc. Para vaciar el depósito, abrir lentamente la válvula e inclinar el compresor para eliminar el agua acumulada. Tener alejado el rostro y ojos del grifo de vaciado.



Fig.4

MANTENIMIENTO

ADVERTENCIA: Antes de realizar las operaciones de mantenimiento, desconecte el compresor de la fuente de alimentación y vacíe el aire comprimido del depósito de aire. Deje que el compresor se enfríe antes de realizar las operaciones de mantenimiento.

1. Limpieza del filtro de entrada
Quite el filtro de entrada (Consulte la Fig. 1) cada 50 horas, o una vez a la semana, y limpie el interior del mismo y de su elemento con aire comprimido (Fig.5). Utilice un destornillador Philips para desmontar el filtro de entrada.

ADVERTENCIA: No limpie nunca el elemento del filtro con un líquido inflamable ni con disolvente.

PRECAUCIÓN: No lo haga funcionar sin el filtro de admisión.

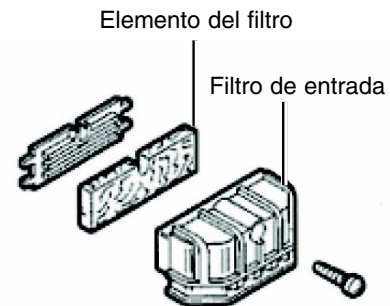


Fig.5

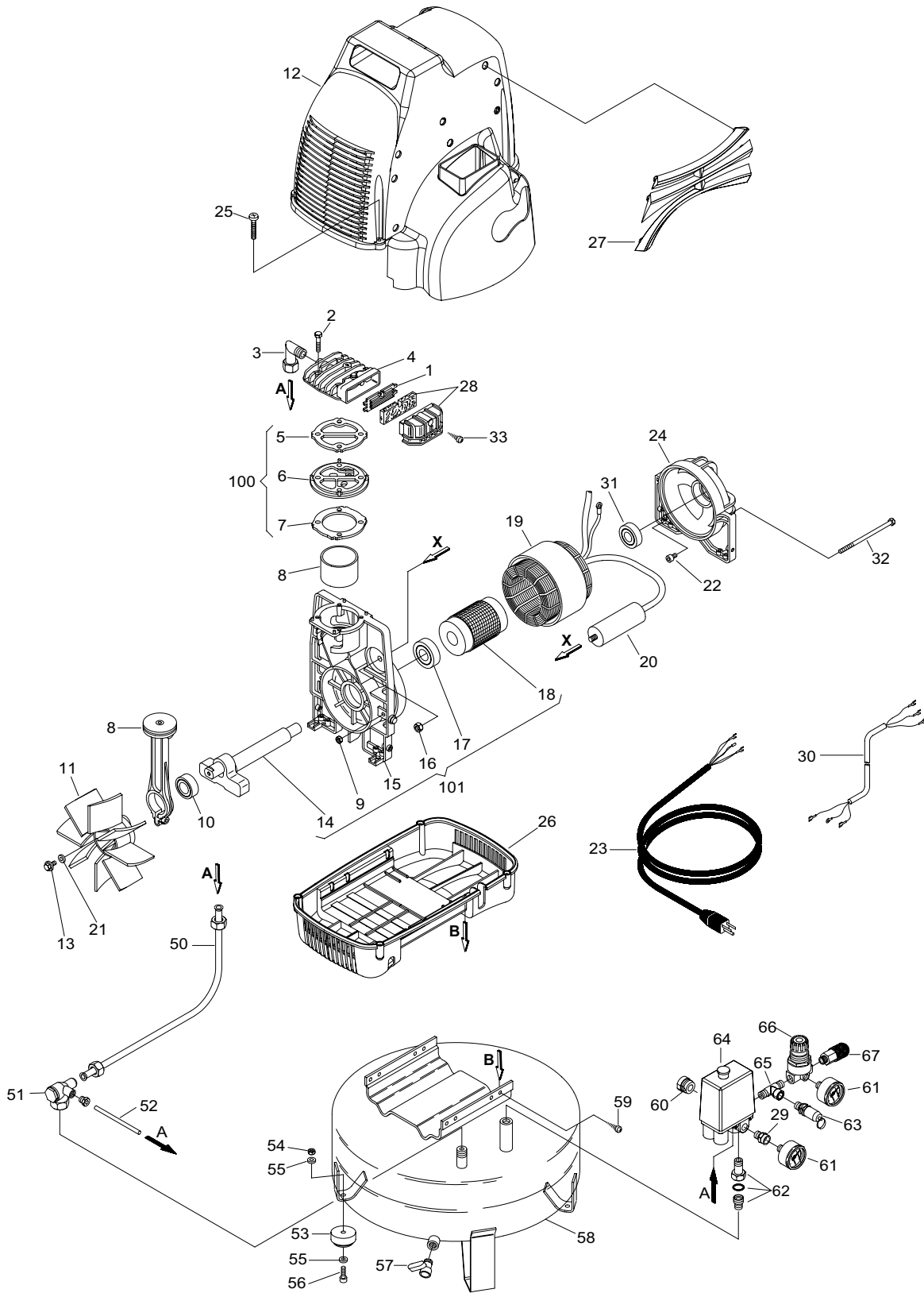
NOTA: Cuando el elemento del filtro se haya ensuciado, reemplácelo.

2. Drenaje del depósito
Drene el depósito diariamente, o después de 4 horas de utilización. Abra el grifo de drenaje e incline el compresor para vaciar el agua acumulada (Consulte la Fig. 4).

SERVICIO Y REPARACIONES

Todos los compresores de calidad requerirán alguna vez servicio de mantenimiento o de reparación de piezas debido al desgaste normal. Para asegurar que solamente se utilicen piezas de reemplazo autorizadas, todos los trabajos de servicio y reparación deberán realizarse SOLAMENTE EN UN CENTRO DE SERVICIO AUTORIZADO POR HITACHI.

NOTA: Las especificaciones están sujetas a cambio sin ninguna obligación por parte de HITACHI.



ITEM NO.	CODE NO.	PART NAME	Q.TY	REFERENCE NO.
1	881453	FILTER PLATE	1	7458340000
2	881454	SCREW	4	7011290000
3	881455	JOINT	1	7084080000
4	881456	HEAD	1	7570550000
5-7	885550	SET OF GASKETS	1	4082890000
6	885551	MONOPLATE	1	4230010000
8	885552	CONROD/PISTON/CYLINDER KIT	1	4190400000
9	881401	NUT	2	7021010000
10	885553	BEARING	1	4085040000
11	882598	FAN	1	7200140000
12	885554	COMPRESSOR HOUSING	1	7152700000
13	881399	SCREW	1	7011040000
14	885555	CRANKSHAFT	1	5041310008
15	885556	CARTER	1	7670090000
16	885557	NUT FOR CAPACITOR	1	7020240000
17	881404	BEARING	1	7060280000
18	885558	ROTOR	1	7660020000
19	885559	WOUND STATOR	1	4013340000
20	885560	CAPACITOR	1	7310640000
21	881573	WASHER	1	7030190000
22	884444	SCREW	1	7013060000
23	881503	INFEED CABLE	1	7328620000
24	881409	COVER	1	7640100000
25	885561	SCREW	4	7012970000
26	885562	DOWN HOUSIN G	1	7152710000
27	885563	DECORATION	1	7152720000
28	881451	INTAKE FILTER	1	4085130000
29	881414	WASHER	1	7085180000
30	881415	SCREW	1	7329040000
31	881478	BEARING	1	7060010000
32	885564	TENSION ROD	2	7011400000
33	881450	SCREW	1	7012010000
50	885565	INFEED TUBE	1	7239480000
51	885566	NONRETURN VALVE	1	7190260000
52	881496	TUBE	1	7230010000
53	881577	RUBBER	4	7360140000
54	881401	NUT	4	7021010000
55	881573	WASHER	8	7030190000
56	881399	SCREW	4	7011040000
57	882610	DISCHARGE TAP	1	7130440000
58	885567	TANK	1	5153150008
59	881410	SCREW	4	7012290000
60	881513	PLUG	1	7090070000
61	882606	PRESSURE GAUGE	2	7110240000
62	885687	JOINT	1	7086060000
63	881493	SAFETY VALVE	1	7192270000
64	885568	PRESSURE SWITCH	1	7251040000
65	885569	JOINT	1	7082530000
66	885570	PRESSURE REDUCER	1	7100640000
67	885571	QUICK COUPLER	1	7130570000
100	885572	SET OF PLATE AND GASKET	1	4082880000
101	885573	CARTER/SHAFT/ROTOR GROUP	1	4280730000

Parts are subject to change without any obligation on the part of HITACHI due to improvements.





Issued by

 **Hitachi Koki Co., Ltd.**

Shinagawa Intercity Tower A, 15-1, Konan 2-chome,
Minato-ku, Tokyo 108-6020, Japan

Distributed by

 **Hitachi Koki U.S.A., Ltd.**

3950 Steve Reynolds Blvd.
Norcross, GA 30093

 **Hitachi Koki Canada Co.**

6395 Kestrel Road
Mississauga ON L5T 1Z5