

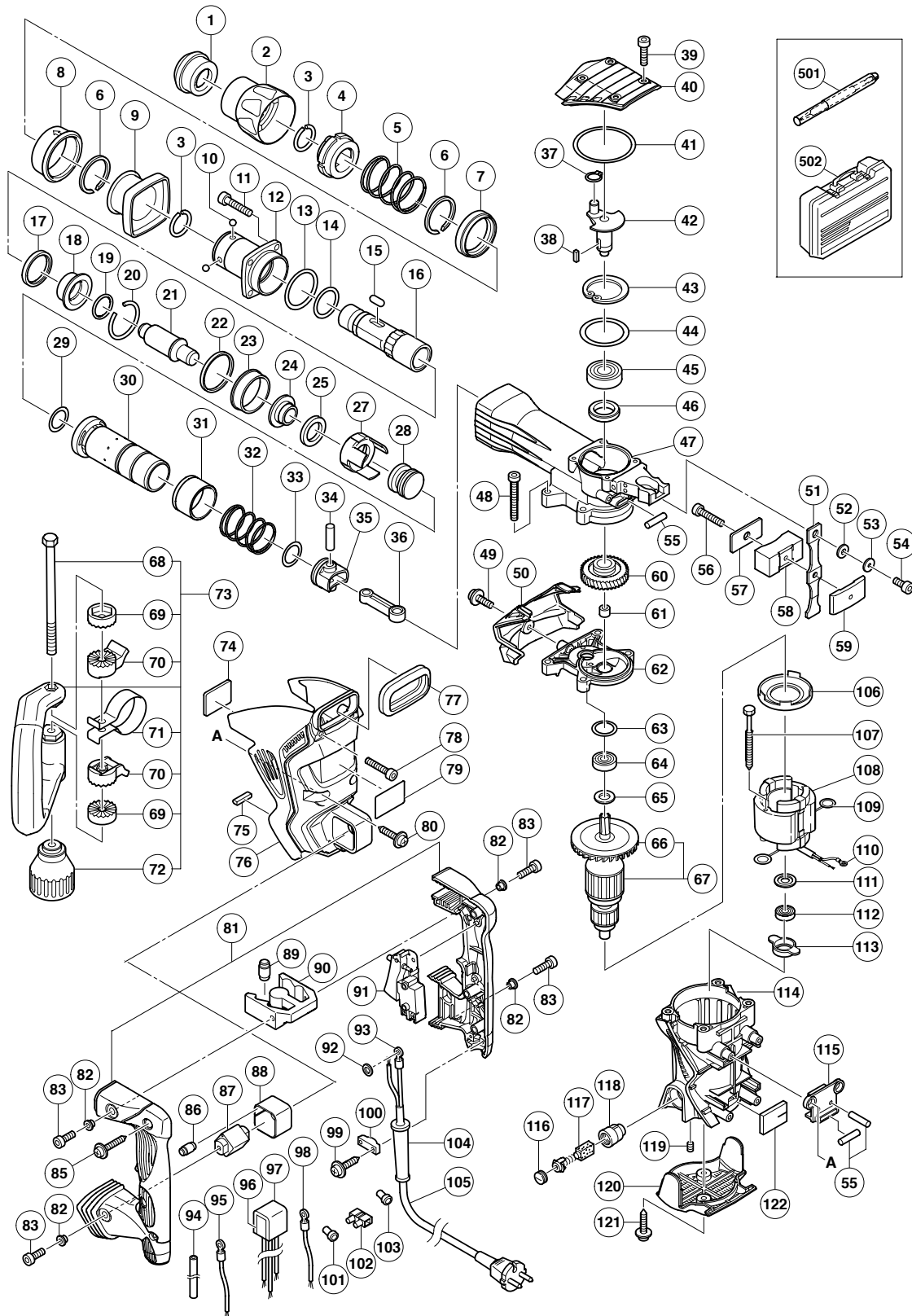
ELECTRIC TOOL PARTS LIST

HAMMER

2006 · 8 · 3

Model H 45MRY

(E1)



PARTS

H 45MRY

ITEM NO.	CODE NO.	DESCRIPTION	NO. USED	REMARKS
1	315-529	FRONT CAP	1	
2	320-802	GRIP (A)	1	
3	320-803	RING	2	
4	320-804	NEEDLE HOLDER	1	
5	320-806	SPRING (A)	1	
6	317-088	RETAINING RING D42	2	
7	320-810	BALL HOLDER	1	
8	320-807	GRIP (B)	1	
9	320-808	GRIP (C)	1	
10	959-150	STEEL BALL D6.35 (10 PCS.)	4	
11	981-942	SEAL LOCK HEX. SOCKET HD. BOLT M6X25	4	
12	326-494	FRONT COVER	1	
13	990-067	O-RING (1AS-50)	1	
14	980-879	O-RING (S-34)	1	
15	313-421	NEEDLE ROLLER D8X20	2	
16	320-805	RETAINER SLEEVE	1	
17	322-528	DAMPER (A)	1	
18	326-379	HAMMER HOLDER (A)	1	
19	319-572	O-RING (S-25)	1	
20	326-380	RING (B)	1	
21	326-381	SECOND HAMMER	1	
22	326-662	DAMPER (C)	1	
23	326-495	SLEEVE (A)	1	
24	320-814	HAMMER HOLDER (B)	1	
25	320-815	DAMPER (B)	1	
27	326-382	HAMMER HOLDER (C)	1	
28	326-383	STRIKER	1	
29	325-297	O-RING (I.D 27.2)	1	
30	326-496	CYLINDER	1	
31	326-497	SLIDE SLEEVE	1	
32	326-498	SPRING (B)	1	
33	325-297	O-RING (I.D 27.2)	1	
34	324-917	PISTON PIN	1	
35	326-384	PISTON	1	
36	326-385	CONNECTING ROD	1	
37	939-540	RETAINING RING FOR D10 SHAFT (10 PCS.)	1	
38	930-511	FEATHER KEY 4X4X10	1	
39	990-079	SEAL LOCK HEX. SOCKET HD. BOLT M5X16	4	
40	326-500	CRANK COVER	1	
41	326-501	O-RING	1	
42	326-499	CRANK SHAFT	1	
43	948-391	RETAINING RING FOR D40 HOLE	1	
44	996-363	O-RING (S-40)	1	
45	620-3DD	BALL BEARING 6203DDCMPS2L	1	
46	310-119	OIL SEAL	1	
47	326-502	CYLINDER CRANK CASE	1	
48	986-940	SEAL LOCK HEX. SOCKET HD. BOLT M6X45	4	
49	998-471	HEX. SOCKET HD. BOLT (W/FLANGE) M5X12	1	
50	326-503	HOOD	1	
51	326-386	LEAF SPRING	1	
52	326-375	SPRING BUMPER (A)	1	

PARTS

H 45MRY

ITEM NO.	CODE NO.	DESCRIPTION	NO. USED	REMARKS
53	326-477	WASHER M4.5	1	
54	878-356	SEAL LOCK HEX. SOCKET HD. BOLT M4X10	1	
55	878-418	NEEDLE ROLLER	4	
56	317-245	SEAL LOCK HEX. SOCKET HD. BOLT M5X22	1	
57	326-515	RUBBER SHEET (C)	1	
58	326-508	WEIGHT (B)	1	
59	326-507	WEIGHT (A)	1	
60	320-830	FIRST GEAR	1	
61	939-299	NEEDLE BEARING (M661)	1	
62	326-510	GEAR COVER ASS'Y	1	INCLUD. 61
63	872-767	O-RING (S-32)	1	
64	620-1DD	BALL BEARING 6201DDCMPS2L	1	
65	302-429	DUST WASHER (B)	1	
66	321-640	FAN	1	
*	67	360-571C	ARMATURE ASS'Y 110V	1 INCLUD. 66
*	67	360-571E	ARMATURE ASS'Y 220V-230V	1 INCLUD. 66
68	317-107	BOLT M8	1	
69	317-106	HANDLE HOLDER (B)	2	
70	317-105	HANDLE HOLDER (A)	2	
71	320-635	BAND	1	
72	317-108	GRIP	1	
73	317-103	SIDE HANDLE ASS'Y	1	INCLUD. 68-72
74	326-487	RUBBER SHEET (A)	1	
75	326-376	SPRING BUMPER (B)	1	
76	326-505	BACK COVER	1	
77	326-378	BELLOWS	1	
78	306-061	SEAL LOCK HEX. SOCKET HD. BOLT M5X30	2	
79		NAME PLATE	1	
80	302-089	TAPPING SCREW (W/FLANGE) D5X20 (BLACK)	4	
81	326-485	HANDLE (A).(B) SET	1	
82	991-711	DISTANCE PIECE (B)	4	
83	991-690	SEAL LOCK HEX. SOCKET HD. BOLT M5X12	4	
85	307-028	TAPPING SCREW (W/FLANGE) D4X25 (BLACK)	3	
86	310-124	HANDLE DAMPER	4	
87	326-377	HANDLE SHAFT	1	
88	326-479	HOLDER	1	
89	310-124	HANDLE DAMPER	4	
90	310-123	TRANSATORY UNIT	1	
91	306-143	SWITCH (B) (1P SCREW TYPE) W/LOCK	1	
92	949-423	WASHER M4 (10 PCS.)	1	
*	93	980-063	TERMINAL	1 FOR CORD
94	326-541	VINYL TUBE (I.D.9.5XT0.56X85)	1	
95	326-509	INTERNAL WIRE L75	1	
96	325-566	NOISE SUPPRESSOR	1	
97	317-492	SUPPORT (B)	1	
98	994-190	INTERNAL WIRE	1	
99	984-750	TAPPING SCREW (W/FLANGE) D4X16	2	
*	100	960-266	CORD CLIP	1
*	100	981-987Z	CORD CLIP	1 FOR SUI
101	959-140	CONNECTOR 50091 (10 PCS.)	1	
102	938-307	PILLAR TERMINAL	1	

PARTS

H 45MRY

ITEM NO.	CODE NO.	DESCRIPTION	NO. USED	REMARKS
103	959-141	CONNECTOR 50092 (10 PCS.)	1	
104	953-327	CORD ARMOR D8.8	1	
* 105	500-434Z	CORD	1	(CORD ARMOR D8.8) FOR USA, CAN
* 105	500-454Z	CORD	1	(CORD ARMOR D8.8) FOR GBR (110V)
* 105	500-446Z	CORD	1	(CORD ARMOR D8.8) FOR GBR (230V)
* 105	500-391Z	CORD	1	(CORD ARMOR D8.8) FOR SUI
106	321-320	FAN GUIDE	1	
107	953-174	HEX. HD. TAPPING SCREW D5X55	2	
* 108	340-681G	STATOR ASS'Y 120V	1	INCLUD. 109
* 108	340-681E	STATOR ASS'Y 220V-230V	1	INCLUD. 109
109	930-703	BRUSH TERMINAL	2	
110	930-804	TERMINAL M4.0 (10 PCS.)	1	
111	982-631	WASHER (A)	1	
112	608-VVM	BALL BEARING 608VVC2PS2L	1	
113	326-484	BEARING HOLDER	1	
114	326-481	HOUSING ASS'Y	1	
115	326-506	SPRING BASE	1	
116	935-829	BRUSH CAP	2	
117	999-073	CARBON BRUSH (AUTO STOP TYPE) (1 PAIR)	2	
118	971-001	BRUSH HOLDER	2	
119	938-477	HEX. SOCKET SET SCREW M5X8	2	
120	326-504	TAIL COVER	1	
121	302-089	TAPPING SCREW (W/FLANGE) D5X20 (BLACK)	2	
122	326-488	COVER (A)	1	

STANDARD ACCESSORIES

ITEM NO.	CODE NO.	DESCRIPTION	NO. USED	REMARKS
501	313-471	BULL POINT (SDS MAX) 280L	1	
502	326-511	CASE (PLASTIC)	1	

OPTIONAL ACCESSORIES

ITEM NO.	CODE NO.	DESCRIPTION	NO. USED	REMARKS
601	981-840	GREASE (A) FOR HAMMER. HAMMER DRILL (30G)	1	
602	308-471	GREASE FOR HAMMER. HAMMER DRILL (70G)	1	
603	980-927	GREASE FOR HAMMER. HAMMER DRILL (500G)	1	
604	313-472	BULL POINT (SDS MAX) 400L	1	
605	313-473	COLD CHISEL (SDS MAX) 280MM	1	
606	313-474	COLD CHISEL (SDS MAX) 400MM	1	
607	313-475	CUTTER (SDS MAX) W50X400L	1	
608	313-476	SCOOP (SDS MAX) 400L	1	
609	313-478	RAMMER (SDS MAX) 150MM X 150MM	1	
610	313-477	BUSHING TOOL (SDS MAX)	1	
611	313-479	SHANK (SDS MAX) FOR RAMMER, BUSHING TOOL	1	