

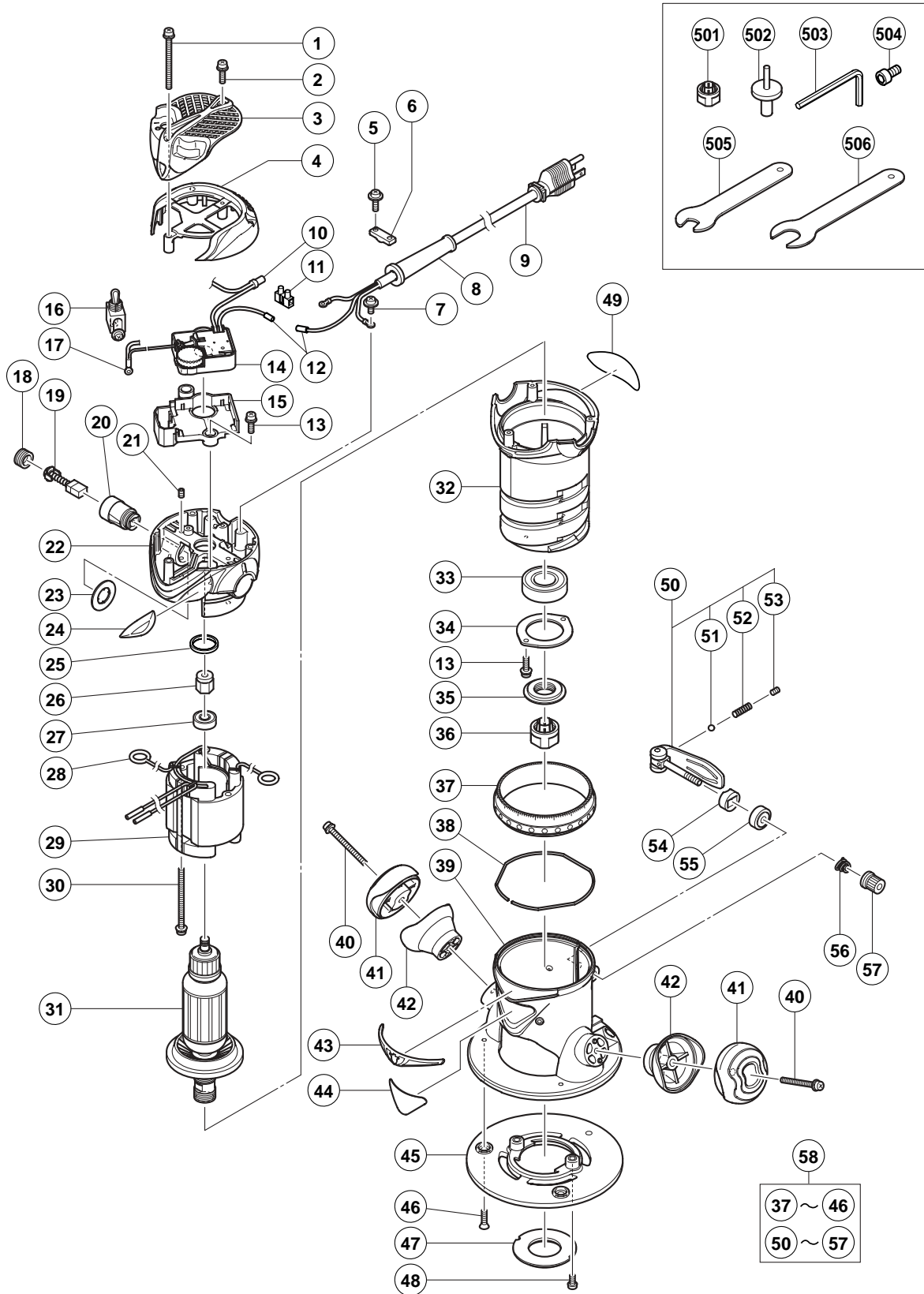
ELECTRIC TOOL PARTS LIST

ROUTER

2004 • 8 • 5

Model M 12VC

(E1)



PARTS

M 12VC

| ITEM NO. | CODE NO. | DESCRIPTION | NO. USED | REMARKS |
|----------|----------|---|----------|----------------|
| 1 | 307-365 | MACHINE SCREW (W/WASHERS) M4X55 (BLACK) | 3 | |
| 2 | 317-200 | MACHINE SCREW (W/WASHERS) M4X8 (BLACK) | 1 | |
| 3 | 323-267 | HEAD COVER (B) | 1 | |
| 4 | 323-266 | HEAD COVER (A) | 1 | |
| 5 | 954-878 | MACHINE SCREW (W/WASHERS) M4X16 | 2 | |
| 6 | 937-631 | CORD CLIP | 1 | |
| 7 | 317-333 | MACHINE SCREW (W/SP. WASHER) M4X6 | 1 | |
| 8 | 938-051 | CORD ARMOR D10.1 | 1 | |
| 9 | 500-399Z | CORD | 1 | |
| 10 | 959-141 | CONNECTOR 50092 (10 PCS.) | 1 | |
| 11 | 938-307 | PILLAR TERMINAL | 1 | |
| 12 | 981-373 | TUBE (D) | 2 | |
| 13 | 307-081 | MACHINE SCREW (W/WASHERS) M4X12 (BLACK) | 4 | |
| 14 | 323-273 | CONTROLLER CIRCUIT | 1 | |
| 15 | 323-274 | SWITCH HOLDER | 1 | |
| 16 | 955-509 | SWITCH (1P SCREW TYPE) | 1 | |
| 17 | 930-804 | TERMINAL M4.0 (10 PCS.) | 1 | |
| 18 | 935-829 | BRUSH CAP | 2 | |
| 19 | 999-043 | CARBON BRUSH (1 PAIR) | 2 | |
| 20 | 957-051 | BRUSH HOLDER | 2 | |
| 21 | 938-477 | HEX. SOCKET SET SCREW M5X8 | 2 | |
| 22 | 323-256 | STATOR HOLDER ASS'Y | 1 | INCLUD. 20, 21 |
| 23 | 930-706 | STOP PLATE | 2 | |
| 24 | 323-424 | HITACHI PLATE (C) | 1 | |
| 25 | 323-420 | RUBBER RING | 1 | |
| 26 | 307-093 | MAGNET | 1 | |
| 27 | 608-VVM | BALL BEARING 608VVC2PS2L | 1 | |
| 28 | 930-703 | BRUSH TERMINAL | 2 | |
| 29 | 340-595D | STATOR ASS'Y 120V | 1 | INCLUD. 28 |
| 30 | 943-430 | MACHINE SCREW (W/SP. WASHER) M5X60 | 2 | |
| 31 | 360-668U | ARMATURE ASS'Y 120V | 1 | INCLUD. 27, 33 |
| 32 | 323-255 | HOUSING | 1 | |
| 33 | 600-4VV | BALL BEARING 6004VVCMP2L | 1 | |
| 34 | 323-257 | BEARING COVER | 1 | |
| 35 | 323-258 | THRUST NUT | 1 | |
| 36 | 323-421 | COLLET CHUCK 1/2" | 1 | |
| 37 | 323-260 | RING | 1 | |
| 38 | 323-264 | STOPPER PIN | 1 | |
| 39 | 323-259 | BASE (A) | 1 | |
| 40 | 323-263 | MACHINE SCREW (W/WASHERS) M6X40 (BLACK) | 2 | |
| 41 | 323-261 | HANDLE (B) | 2 | |
| 42 | 323-262 | HANDLE (A) | 2 | |
| 43 | 323-423 | DECORATION PLATE (B) | 1 | |
| 44 | 323-422 | HITACHI PLATE (A) | 1 | |
| 45 | 323-265 | SUB BASE (A) | 1 | |
| 46 | 949-332 | FLAT HD. SCREW M5X12 (10 PCS.) | 3 | |
| 47 | 323-272 | TEMPLATE GUIDE ADAPTER | 1 | |
| 48 | 949-234 | MACHINE SCREW M5X6 (10 PCS.) | 2 | |
| 49 | | NAME PLATE | 1 | |
| 50 | 323-270 | LEVER (A) ASS'Y | 1 | INCLUD. 51-53 |
| 51 | 959-155 | STEEL BALL D3.97 (10 PCS.) | 1 | |

