

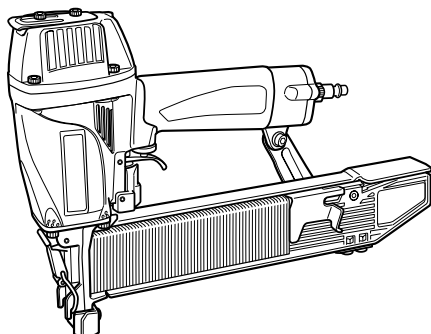
HITACHI

Instruction and safety manual
Manuel d'instructions et de sécurité
Instrucciones y manual de seguridad

Model
Modèle
Modelo

N 5008AC2 · N 5010A

Stapler
Agrafeuse
Grapadora



⚠ DANGER

Improper use of this Stapler can result in death or serious injury!
This Manual contains important information about product safety.
Read and understand this Manual before operating the Stapler.
Keep this Manual available for others before they use the Stapler.
Never allow anyone who has not reviewed this manual.

⚠ DANGER

Une utilisation incorrecte et sans respecter la sécurité de cette agrafeuse risque d'entraîner la mort ou des blessures graves !
Ce manuel renferme des instructions importantes sur la sécurité de l'outil.
Lire et bien assimiler ce manuel avant d'utiliser l'agrafeuse.
Conserver ce manuel à l'intention des autres utilisateurs de la agrafeuse.
Ne jamais laisser les personnes n'ayant pas étudié le manuel utiliser l'outil.

⚠ PELIGRO

¡La utilización inadecuada e insegura de esta grapadora puede resultar en lesiones serias o en la muerte!
Este manual contiene información importante sobre la seguridad del producto.
Lea y entienda este manual antes de utilizar la grapadora.
Guarde este manual a mano para que puedan consultarlo otras personas antes de utilizar la grapadora.
No deje manejar esta herramienta a nadie que no haya leído este manual.

Hitachi Koki

CONTENTS

English	Page		Page
IMPORTANT SAFETY INFORMATION	3	BEFORE OPERATION	10
DEFINITIONS OF SIGNAL WORDS	3	WORKING ENVIRONMENT	10
SAFETY		AIR SUPPLY	10
IMPORTANT SAFETY INSTRUCTIONS FOR		LUBRICATION	11
USING STAPLERS	4	COLD WEATHER CARE	11
EMPLOYER'S RESPONSIBILITIES	7	TESTING THE STAPLER	11
OPERATION		ADJUSTING AIR PRESSURE	13
NAME OF PARTS	8	LOADING STAPLES	13
SPECIFICATIONS	9	STAPLER OPERATION	13
STAPLE SELECTION	9	METHODS OF OPERATION	14
ACCESSORIES	9	ADJUSTING THE STAPLING DEPTH	15
STANDARD ACCESSORIES	9	MAINTENANCE	
OPTIONAL ACCESSORIES	10	MAINTENANCE AND INSPECTION	17
APPLICATIONS	10	SERVICE AND REPAIRS	18
		PARTS LIST	60

TABLE DE MATIERES

Français	Page		Page
INFORMATIONS IMPORTANTES DE		AVANT L'UTILISATION	29
SECURITÉ	21	ENVIRONNEMENT DE TRAVAIL	29
DEFINITION DES MOTS DE		ALIMENTATION D'AIR	29
SIGNALISATION	21	GRAISSAGE	30
SECURITE		ENTRETIEN PAR TEMPS FROID	30
CONSIGNES DE SECURITE IMPORTANTES		ESSAI DE L'AGRAFEUSE	31
POUR L'UTILISATION DE		REGLAGE DE LA PRESSION D'AIR	32
L'AGRAFEUSE	22	CHARGEMENT DES AGRAFES	32
RESPONSABILITES DE L'EMPLOYEUR	26	UTILISATION DE L'AGRAFEUSE	33
UTILISATION		METHODES D'UTILISATION	34
NOM DES PIECES	27	REGLAGE DE LA PROFONDEUR DE	
SPECIFICATIONS	28	AGRAFAGE	35
SELECTION DES AGRAFES	28	ENTRETIEN	
ACCESSOIRES	28	ENTRETIEN ET INSPECTION	37
ACCESSOIRES STANDARD	28	ENTRETIEN ET REPARATIONS	38
ACCESSOIRES EN OPTION	29	LISTE DES PIECES	60
APPLICATIONS	29		

ÍNDICE

Español	Página		Página
INFORMACIÓN DE SEGURIDAD		ANTES DE LA OPERACIÓN	48
IMPORTANTE	41	ENTORNO DE TRABAJO	48
DEFINICIÓN DE LAS PALABRAS CLAVE	41	SUMINISTRO DE AIRE	48
SEGURIDAD		LUBRICACIÓN	49
INSTRUCCIONES IMPORTANTES DE		CUIDADOS PARA CLIMAS FRÍOS	49
SEGURIDAD PARA LA UTILIZACIÓN		PRUEBA DE LA GRAPADORA	50
DE LA GRAPADORA	42	AJUSTE DE LA PRESIÓN DE AIRE	51
RESPONSABILIDADES DEL EMPRESARIO	45	CARGA DE GRAPAS	51
OPERACIÓN		OPERACIÓN DEL GRAPADORA	52
NOMENCLATURA	46	METODOS DE OPERACIÓN	53
ESPECIFICACIONES	47	AJUSTE DE LA PROFUNDIDAD DE	
SELECCIÓN DE GRAPAS	47	GRAPADORA	54
ACCESORIOS	47	MANTENIMIENTO	
ACCESORIOS ESTÁNDAR	47	MANTENIMIENTO E INSPECCIÓN	56
ACCESORIOS OPCIONALES	48	SERVICIO Y REPARACIONES	57
APLICACIONES	48	LISTA DE PIEZAS	60

IMPORTANT SAFETY INFORMATION



Read and understand tool labels and all of the operating instructions, safety precautions and warnings in this manual before operating or maintaining this stapler.
Failure to follow warnings could result in **DEATH** or **SERIOUS INJURY**.

Most accidents that result from the operation and maintenance of Staplers are caused by the failure to observe basic safety rules or precautions. An accident can often be avoided by recognizing a potentially hazardous situation before it occurs, and by observing appropriate safety procedures.

Basic safety precautions are outlined in the "SAFETY" section of this Manual and in the sections which contain the operation and maintenance instructions.

Hazards that must be avoided to prevent bodily injury or machine damage are identified by **DANGERS** and **WARNINGS** on the Stapler and in this Manual.

Never use this Stapler for applications other than those specified in this Manual.

DEFINITIONS OF SIGNAL WORDS

DANGER indicates an imminently hazardous situation which, if not avoided, will result in death or serious injury.

WARNING indicates a potentially hazardous situation which, if not avoided, could result in death or serious injury.

CAUTION indicates a potentially hazardous situation which, if not avoided, may result in minor or moderate injury, or may cause machine damage.

NOTE emphasizes essential information.

SAFETY

IMPORTANT SAFETY INSTRUCTIONS FOR USING STAPLERS

READ ALL INSTRUCTIONS

DANGER

1. OPERATORS AND OTHERS IN WORK AREA MUST WEAR SAFETY GLASSES WITH SIDE SHIELDS.



When operating the Stapler, always wear safety glasses with side shields, and make sure others in work area wear safety glasses, too. Safety glasses must conform to the requirements of American National Standards Institute, ANSI Z87.1 and provide protection against flying particles both from the front and side.

The employer must enforce the use of safety glasses by the Stapler operator and others in work area.

2. NEVER USE OXYGEN OR OTHER BOTTLED GASES. EXPLOSION MAY OCCUR.



Never use oxygen, combustible gases or any other bottled gases as a power source for the Stapler. Use of the above gases is dangerous, as the Stapler will explode. Use only clean, dry, regulated compressed air.

WARNING

3. NEVER POINT TOOL AT YOURSELF OR OTHERS IN WORK AREA.



Always assume the Stapler contains fasteners. Never point the Stapler at yourself toward yourself or others, whether it contains fasteners or not. If fasteners are mistakenly driven, it can lead to severe injuries. Never engage in horseplay with the Stapler. Respect the Stapler as a working implement.

4. KEEP FINGERS AWAY FROM TRIGGER WHEN NOT DRIVING FASTENERS TO AVOID ACCIDENTAL FIRING.

Never carry the Stapler with finger on trigger since you could drive a fastener unintentionally and injure yourself or someone else. Always carry the Stapler by the handle only.

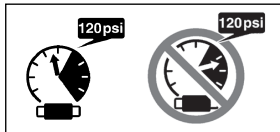
5. CHOICE OF TRIGGERING METHOD IS IMPORTANT.

Read and understand section titled "METHODS OF OPERATION." (pages 14 – 15)

SAFETY — Continued

⚠ WARNING

6. DO NOT EXCEED 120 psi. (8.3 bar 8.5 kgf/cm²)



Do not exceed maximum recommended air pressure 120 psi (8.3 bar 8.5 kgf/cm²).

Never connect the Stapler to pressure which potentially exceeds 200 psi (13.7 bar 14 kgf/cm²) as the Stapler can burst.

7. ALWAYS WEAR EAR AND HEAD PROTECTION.

Always wear ear protection to protect your ears from loud noise.

Always wear head protection to protect your head from flying objects.

8. STORE STAPLER PROPERLY.

When not in use, the Stapler should be stored in a dry place. Keep out of reach of children. Lock the storage area.

9. KEEP WORK AREA CLEAN.

Cluttered areas invite injuries. Clear all work areas of unnecessary tools, debris, furniture, etc.

10. NEVER USE IN PRESENCE OF FLAMMABLE LIQUIDS OR GASES.

The Stapler produces sparks during operation.

Never use the Stapler in sites containing lacquer, paint, benzene, thinner, gasoline, gases, adhesive agents, and other materials which are combustible or explosive.

11. KEEP VISITORS AWAY.

Do not let visitors handle the Stapler.

All visitors should be kept safely away from work area.

12. DRESS PROPERLY.

Do not wear loose clothing or jewelry as they can be caught in moving parts.

Rubber gloves and nonskid footwear are recommended when working outdoors.

Wear protective hair covering to contain long hair.

13. NEVER USE NON RELIEVING COUPLER ON STAPLER.

If a non relieving coupler is used on the Stapler, the Stapler can remain charged with air after disconnecting and thus will be able to drive a fastener even after disconnecting.

The Stapler and air hose must have a hose coupling such that all pressure is removed from the Stapler when the coupling joint is disconnected.

14. CHECK PUSH LEVER BEFORE USE.

Make sure the push lever operates properly. (The push lever may be called "Safety".) Never use the Stapler unless the push lever is operating properly, otherwise the Stapler could drive a fastener unexpectedly. Do not tamper with or remove the push lever, otherwise the push lever becomes inoperable.

15. KEEP ALL SCREWS AND COVERS TIGHTLY IN PLACE.

Keep all screws and covers tightly mounted. Check their condition periodically.

Never use the Stapler if parts are missing or damaged.

16. DO NOT LOAD FASTENERS WITH TRIGGER PULLED OR PUSH LEVER DEPRESSED.

When loading fasteners into the Stapler or when connecting the air hose,

- 1) do not pull the trigger;
- 2) do not depress the push lever; and
- 3) keep the Stapler pointed downward.

SAFETY — Continued

WARNING

- 17. KEEP FACE, HANDS AND FEET AWAY FROM FIRING HEAD AT ALL TIMES.**
Never place your face, hands or feet near the firing head.
- 18. PLACE STAPLER PROPERLY ON WORKPIECE.**
Do not drive fasteners on top of other fasteners or with the Stapler at too steep of an angle; the fasteners can ricochet and hurt someone.
- 19. BE CAREFUL OF DOUBLE FIRE DUE TO RECOIL.**
If the push lever is unintentionally allowed to re-contact the workpiece following recoil, an unwanted fastener will be driven.
In order to avoid this undesirable double fire,
1) do not push the Stapler on the workpiece with strong force;
2) take the Stapler completely away from the workpiece using recoil, and keep the push lever away from the workpiece until the next desirable shot; and
3) pull the trigger and release it QUICKLY when performing intermittent operation (trigger fire).
- 20. DO NOT DRIVE FASTENERS INTO THIN BOARDS OR NEAR CORNERS AND EDGES OF WORKPIECE.**
The fasteners can be driven through or away from the workpiece and hit someone.
- 21. NEVER DRIVE FASTENERS FROM BOTH SIDES OF A WALL AT THE SAME TIME.**
The fasteners can be driven into and through the wall and hit a person on the opposite side.
- 22. CHECK FOR LIVE WIRES.**
Avoid the risk of severe electrical shock by checking for live electrical wires that may be hidden by walls, floors or ceilings. Turn off the breaker switch to ensure there are no live wires.
- 23. NEVER CARRY STAPLER BY HOSE.**
- 24. DO NOT OVERREACH.**
Keep proper footing and balance at all times.
- 25. NEVER USE STAPLER WHICH IS DEFECTIVE OR OPERATING ABNORMALLY.**
If the Stapler appears to be operating unusually, making strange noises, or otherwise appears defective, stop using it immediately and arrange for repairs by a Hitachi authorized service center.
- 26. DO NOT DISCONNECT AIR HOSE FROM STAPLER WITH FINGER ON TRIGGER.**
The Stapler can fire when re-connected to an air supply.
- 27. DISCONNECT AIR HOSE FROM STAPLER WHEN:**
1) doing maintenance and inspection;
2) loading fasteners;
3) clearing a jam;
4) it is not in use;
5) leaving work area;
6) moving it to another location; and
7) handing it to another person.
Never attempt to clear a jam or repair the Stapler unless you have disconnected air hose from the Stapler and removed all remaining fasteners from the Stapler. The Stapler should never be left unattended since people who are not familiar with the Stapler might handle it and injure themselves.
- 28. STAY ALERT.**
Watch what you are doing. Use common sense.
Do not operate the Stapler when you are tired.
The Stapler should never be used by you if you are under the influence of alcohol, drugs or medication that makes you drowsy.

SAFETY — Continued

WARNING

29. HANDLE STAPLER CORRECTLY.

Operate the Stapler according to this Manual.

Never allow the Stapler to be operated by children, individuals unfamiliar with its operation or unauthorized personnel.

30. NEVER USE STAPLER FOR APPLICATIONS OTHER THAN THOSE SPECIFIED IN THIS MANUAL.

31. HANDLE STAPLER CAREFULLY.

Because of high air pressure in the Stapler, cracks in the surface are dangerous.

To avoid this, do not drop the Stapler or strike the Stapler against hard surfaces; and do not scratch or engrave signs on the Stapler. Handle the Stapler carefully.

32. MAINTAIN STAPLER WITH CARE.

Keep the Stapler clean and lubricated for better and safer performance.

33. USE ONLY PARTS, ACCESSORIES OR FASTENERS SUPPLIED OR RECOMMENDED BY HITACHI.

Unauthorized parts, accessories, or fasteners may void your warranty and can lead to malfunction and resulting injuries.

Only service personnel trained by Hitachi, distributor or employer shall repair the Stapler.

34. NEVER MODIFY OR ALTER A STAPLER.

Doing so may cause it to malfunction and personal injuries may result.

EMPLOYER'S RESPONSIBILITIES

1. Ensure that this MANUAL is available to operators and personnel performing maintenance.
2. Ensure that Staplers are used only when operators and others in work area are wearing EYE PROTECTOR.
3. Enforce the use of EYE PROTECTOR by operators and others in work area.
4. Keep Staplers in safe working order.
5. Maintain Staplers properly.
6. Ensure that Staplers which require repair are not further used before repair.

**SAVE THIS MANUAL AND
KEEP IT AVAILABLE FOR OTHERS!**

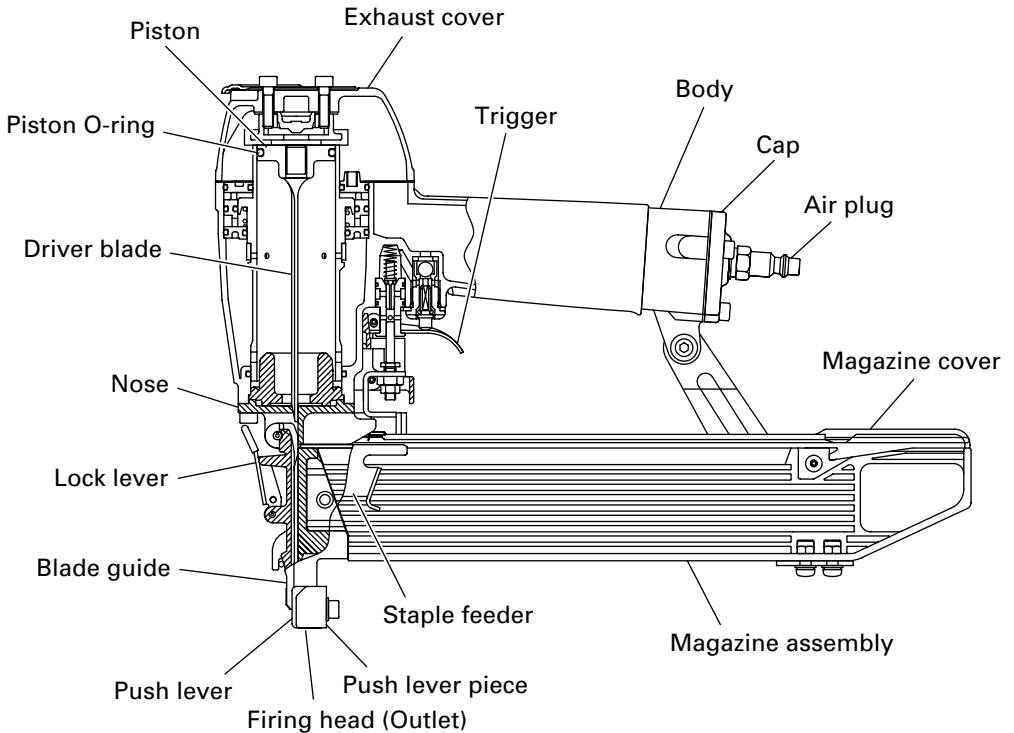
OPERATION

NOTE:

The information contained in this Manual is designed to assist you in the safe operation of the Stapler.

Some illustrations in this Manual may show details or attachments that differ from those on your own Stapler.

NAME OF PARTS



SPECIFICATIONS

Operating pressure	70 – 120 psi (4.9 – 8.3 bar 5 – 8.5 kgf/cm ²)
Dimensions Length × Height × Width	14-3/8" × 10-5/32" × 3" (365 mm × 258 mm × 76 mm)
Weight	4.4 lbs. (2.0 kg)
Staple capacity	150 Staples
Air consumption	.040 ft ³ /cycle at 100 psi (1.1 ltr/cycle at 6.9 bar) (1.1 ltr/cycle at 7 kgf/cm ²)

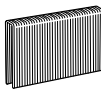
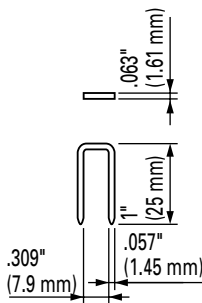

STAPLE SELECTION

⚠ WARNING


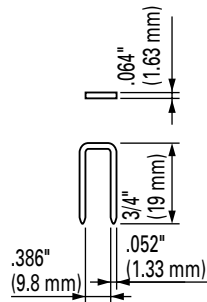

- Be sure to use only the genuine HITACHI staples for the N5008AC2, N5010A. The use of any other staples can result in tool malfunction and/or staple breakdown, leading to serious injuries.

Only staples shown in the Table below can be driven with this Stapler.

Dimensions of staples for N5008AC2

16 Gauge 7/16" Crown staple	Min.	Max.
		

Dimensions of staples for N5010A

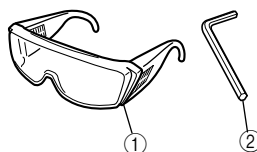
16 Gauge 1/2" Crown staple	Min.	Max.
		

ACCESSORIES

⚠ WARNING

- Accessories other than those shown below can lead to malfunction and resulting injuries.

STANDARD ACCESSORIES



① Eye protection	1
② Allen wrench for M5 screw	1

OPTIONAL ACCESSORIES

- Sequential Trip Mechanism Kit
... sold separately
(Code No. 876762)
- (Single Shot Parts)
- Pneumatic Tool Lubricant
1 oz. (30 cc) oil feeder (Code No.877153)
4 oz. (120 cc) oil feeder
(Code No.874042)
- 1 quart (1 ltr) can (Code No.876212)

NOTE: Accessories are subject to change without any obligation on the part of HITACHI.

APPLICATIONS

- Construction work such as wall sheathing, roof decking, subflooring.
- Mobile and modular home construction.
- Making wooden boxes, and expendable pallets.

BEFORE OPERATION

Read section titled "SAFETY" (pages 4 – 7).

Make sure of the following before operation.

WORKING ENVIRONMENT

⚠ WARNING

- No flammable gas, liquid or other flammable objects at worksite.
- Clear the area of children or unauthorized personnel.

AIR SUPPLY

⚠ DANGER



- NEVER use oxygen or other bottled gases. Explosion may occur.

⚠ WARNING

- Never connect Stapler to pressure which potentially exceeds 200 psi (13.7 bar 14 kgf/cm²).
- Never use non relieving coupler on Stapler.

1. Power source
 - Use only clean, dry, regulated compressed air as a power source for this Stapler.
 - Air compressors used to supply compressed air to this Stapler must comply with the requirements of the latest version of ANSI Standard B 19.3 "Safety Standard For Compressors For Process Industries."
 - Moisture or oil in the air compressor may accelerate wear and corrosion in the Stapler.
Drain daily.
2. Filter-Regulator-Lubricator
 - Use a regulator with a pressure range of 0 – 120 psi (0 – 8.3 bar 0 – 8.5 kgf/cm²).
 - Filter-regulator-lubricator units supply an optimum condition for the Stapler and extend the Stapler life. These units should always be used.

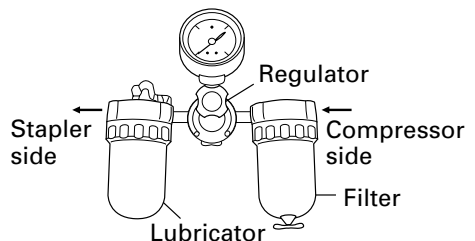
Filter The filter removes moisture and dirt mixed in compressed air.

Drain daily unless fitted with an automatic drain. Keep the filter clean by regular maintenance.

Regulator The regulator controls the operating pressure for safe operation of the Stapler.

Inspect the regulator before operation to be sure it operates properly.

Lubricator The lubricator supplies an oil mist to the Stapler. Inspect the lubricator before operation to be sure the supply of lubricant is adequate. Use Hitachi pneumatic tool lubricant.



3. Air hose
Air hose must have a minimum working pressure rating of 150 psi (10.4 bar 10.6 kgf/cm²) or 150% of the maximum pressure produced in the system, whichever is higher.
4. Air consumption
Using the Air consumption table and the Air compressor size formula, find a correct compressor size.

Air consumption table

Operating pressure	psi (bar)	80 (5.5)	90 (6.2)	100 (6.9)
	(kgf/cm ²)	(5.6)	(6.3)	(7)
Air consumption	ft ³ /cycle (ltr/cycle)	.028 (.8)	.032 (.9)	.039 (1.1)

Air compressor size formula

Amount of air required

=number of Staplers

× average staples driven each minute per Stapler

× air consumption at given air pressure

× safety factor (always 1.2)

Example: 3 Staplers (N5010A) operating at 100 psi driving 30 staples per minute

Amount of air required

=3 × 30 × .039 (1.1) × 1.2

=4.2 CFM (ft³/min) (119 ltr/min)

After making the calculations as shown above, you should find a compressor providing 4.2 CFM of air that is required.

LUBRICATION

It is important that the Stapler be properly lubricated.

Without proper lubrication, the Stapler will not work properly and parts will wear prematurely.

- Use Hitachi pneumatic tool lubricant. Do not use detergent oil or additives. These lubricants will harm the O-rings and other rubber parts. This will cause the Stapler to malfunction.
- Filter-regulator-lubricator units should always be used. Keep the lubricator filled with Hitachi pneumatic tool lubricant.

- If a lubricator is not available, supply 5 – 10 drops of Hitachi pneumatic tool lubricant into the air plug on the Stapler twice a day.

COLD WEATHER CARE

- Do not store the Stapler in a cold weather environment. Keep the Stapler in a warm area until beginning the work.
- If the Stapler is already cold, bring it in a warm area and allow the Stapler to warm up before use.
 - ① Reduce the air pressure to 64 psi (4.4 bar 4.5 kgf/cm²).
 - ② Remove all staples from the Stapler.
 - ③ Connect the air hose and free-fire (blank-fire) the Stapler. The lowered air pressure will be enough to free-fire the Stapler. Slow speed operation tends to warm up the moving part.

⚠ CAUTION

- Do not free-fire the Stapler at high pressure.

TESTING THE STAPLER

⚠ DANGER



- Operators and others in work area **MUST** wear safety glasses with side shields which conforms to ANSI Z87.1 specifications.

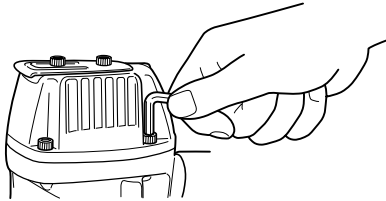
⚠ WARNING

- Never use Stapler unless push lever is operating properly.

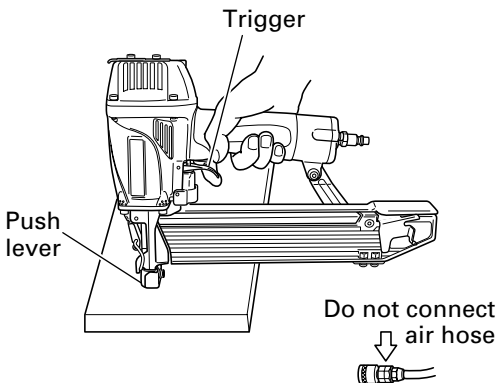
Before actually beginning the stapling work, test the Stapler by using the checklist below. Conduct the tests in the following order. If abnormal operation occurs, stop using the Stapler and contact a Hitachi authorized service center immediately.

- (1) DISCONNECT AIR HOSE FROM STAPLER.
REMOVE ALL STAPLES FROM STAPLER.

- ALL SCREWS MUST BE TIGHTENED.
If any screws are loose, tighten them.



- THE PUSH LEVER AND TRIGGER MUST MOVE SMOOTHLY.

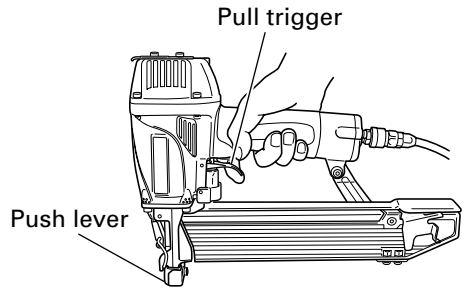


- (2) Adjust the air pressure to 70 psi (4.9 bar 5 kgf/cm²).
Connect the air hose.
Do not load any staples in the Stapler.

- THE STAPLER MUST NOT LEAK AIR.

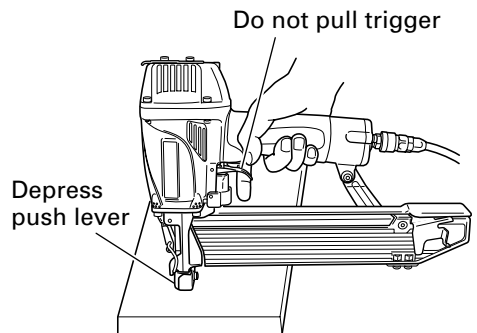
Hold the Stapler downward and pull the trigger.

- THE STAPLER MUST NOT OPERATE.



- (3) With finger off the trigger, depress the push lever against the workpiece.

- THE STAPLER MUST NOT OPERATE.



- (4) Without touching the trigger, depress the push lever against the workpiece.
Pull the trigger.

- THE STAPLER MUST OPERATE.

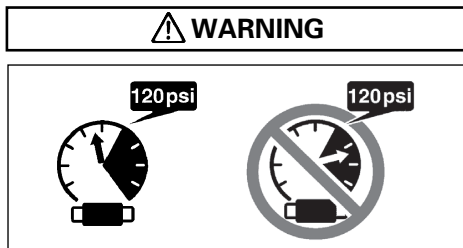
- (5) With the Stapler off the workpiece, pull the trigger.
Depress the push lever against the workpiece.

- THE STAPLER MUST OPERATE.

- (6) If no abnormal operation is observed, you may load staples in the Stapler.
Drive staples into the workpiece that is the same type to be used in the actual application.

- THE STAPLER MUST OPERATE PROPERLY.

ADJUSTING AIR PRESSURE



- Do not exceed 120 psi (8.3 bar 8.5 kgf/cm²).

Adjust the air pressure at recommended operating pressure 70 – 120 psi (4.9 – 8.3 bar 5 – 8.5 kgf/cm²) according to the length of staples and the hardness of workpiece.

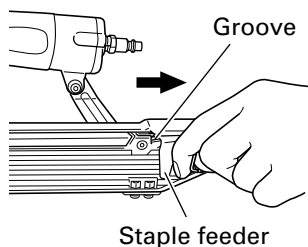
The correct air pressure is the lowest pressure which will do the job. Using the Stapler at a higher than required air pressure unnecessarily over stresses the Stapler.

LOADING STAPLES

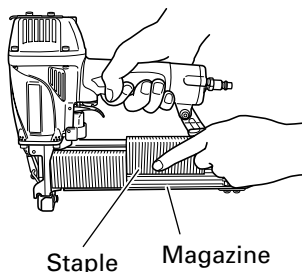


- When loading staples into Stapler,
 - 1) do not pull trigger;
 - 2) do not depress push lever; and
 - 3) keep Stapler pointed downward.

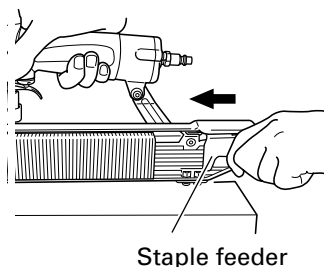
- (1) Pull the staple feeder backward and attach it securely to a groove of the magazine.



- (2) Place the staple strip over the magazine. Make sure that the staple strip slides freely on the magazine.



- (3) Pull the staple feeder backward. Then, detach it from the groove of magazine and softly bring the staple back as if it were being gently pushed, avoiding any impact.



The Stapler is now ready to operate.

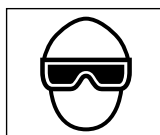
⚠ CAUTION

If the staple feeder is released all of a sudden, it can return abruptly, causing deformation and/or scatter, eventually ending up in clogged staples.

Be absolutely sure to bring back the staple feeder, avoiding any impact.

STAPLER OPERATION

Read section titled "SAFETY" (pages 4 – 7).



- Operators and others in work area **MUST** wear safety glasses with side shields which conforms to ANSI Z87.1 specifications.

⚠ WARNING



- **NEVER** point tool at yourself or others in work area.
- **Keep fingers AWAY** from trigger when not driving staples to avoid accidental firing.
- **Choice of triggering method is important.**
Please read and understand “METHODS OF OPERATION” found below.
- **Never place your face, hands or feet near firing head when using.**
- **Do not drive staples on top of other staples or with Stapler at too steep of an angle; staples can ricochet and hurt someone.**
- **In order to avoid double fire or unwanted ejection of a staple due to bouncing of the Stapler.**
 - 1) **do not push Stapler on workpiece with strong force;**
 - 2) **take Stapler away from workpiece using recoil;**
 - 3) **release trigger quickly when performing trigger fire.**
- **Do not drive staples into thin boards or near corners and edges of workpiece. Staples can be driven through or away from workpiece and hit someone.**
- **Never drive staples from both sides of a wall at the same time. Staples can be driven into and through the wall and hit a person on the opposite side.**
- **Never use Stapler which is defective or operating abnormally.**
- **Do not use Stapler as hammer.**
- **Disconnect air hose from Stapler when:**
 - 1) **turning the adjuster;**
 - 2) **it is not in use;**
 - 3) **leaving work area;**
 - 4) **moving it to another location; and**
 - 5) **handing it to another person.**

This Hitachi Stapler has a STANDARD CONTACT TRIP MECHANISM (Bounce Fire). An OPTIONAL SEQUENTIAL TRIP MECHANISM kit (SINGLE SHOT) is available as order part number 876762.

THE STANDARD CONTACT TRIP MECHANISM (Bounce Fire) is for use where rapid fastener placement is desired and must be operated in accordance with the following “Methods of Operation”.

METHODS OF OPERATION

This Stapler is equipped with the push lever and does not operate unless the push lever is depressed (upward position).

There are two methods of operation to drive staples with this Stapler.

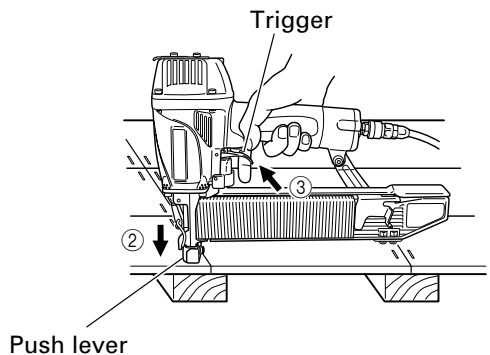
They are:

1. Intermittent operation (Trigger fire);
2. Continuous operation (Push lever fire);

(1) Intermittent operation (Trigger fire)

- ① Position the staple outlet on the workpiece with finger off the trigger.
- ② Depress the push lever firmly until it is completely depressed.
- ③ Pull the trigger to drive a staple.
- ④ Remove finger from the trigger.

To drive another staple, move the Stapler along the workpiece and repeat this procedure.



(2) Continuous operation (Push lever fire)

⚠ WARNING

- **To avoid double firing or accidental firing due to recoil.**

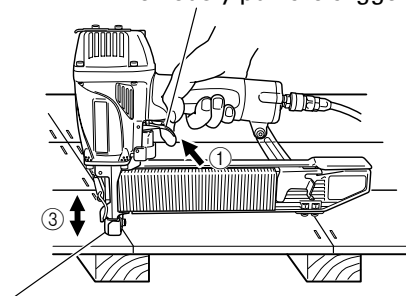
- 1) **Do not press the stapler against the workpiece with excessive force.**
- 2) **Separate the stapler from the workpiece as it recoils after stapling.**

- ① Pull the trigger with the Stapler off the workpiece.
- ② Depress the push lever against the workpiece to drive a staple.
- ③ Move the Stapler along the workpiece with a bouncing motion.

Each depression of the push lever will drive a staple.

As soon as the desired number of staples have been driven, remove finger from the trigger.

Previously pull the trigger



Push lever

⚠ WARNING

- **Keep your finger off the trigger except during fastening operation, because serious injury could result if the push lever accidentally contacts you or others in work area.**
- **Keep hands and body away from the discharge area. The Stapler with contact trip mechanism may bounce from the recoil of driving a fastener and unwanted subsequent fastener may be driven, possibly causing injury.**
- **Some types of loaded staples can spark out of the muzzle during a nail driving operation. Exercise caution!**

THE OPTIONAL SEQUENTIAL TRIP MECHANISM (SINGLE SHOT PARTS) is for use where precision fastener placement is desired and must be operated in accordance with the following "Method of Operation".

You must first depress the push lever (upward position) where you want to drive a staple and then pull the trigger. After the each staple is driven, completely release the trigger and lift the tool off the work surface. An **OPTIONAL SEQUENTIAL TRIP MECHANISM** may reduce the possibility of bodily injury to you or others in the work area. This is because it is less likely to drive an unwanted staple if you keep the trigger pulled and accidentally bump the push lever against yourself or others. An **OPTIONAL SEQUENTIAL TRIP MECHANISM** may also reduce the speed of operation compared to the standard contact trip mechanism.

NOTE:

- Both **STANDARD CONTACT TRIP MECHANISM** and **OPTIONAL SEQUENTIAL TRIP MECHANISM** are safe if used as described above and according to all warnings and instructions.
- Always handle staples and package carefully. If staples are dropped, collating bond may be broken.
- After stapling:
 - 1) disconnect air hose from the Stapler;
 - 2) remove all staples from the Stapler;
 - 3) supply 5 – 10 drops of Hitachi pneumatic tool lubricant into the air plug on the Stapler; and
 - 4) open the petcock on the air compressor tank to drain any moisture.

ADJUSTING THE STAPLING DEPTH

⚠ WARNING

- **When adjusting the Adjuster, be sure to remove your finger from the trigger and disconnect the air hose from the stapler.**

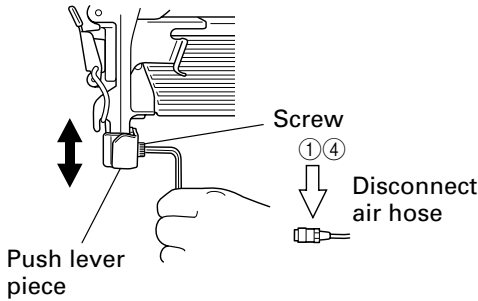
To assure that each staple penetrates to the same depth, be sure that:

- 1) the air pressure to the Stapler remains constant (regulator is installed and working properly), and

2) the Stapler is always held firmly against the workpiece.

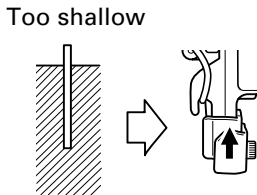
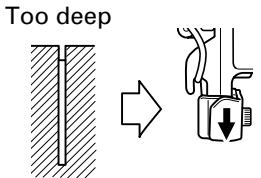
If staples are driven too deep or shallow into the workpiece, adjust the stapling in the following order.

① DISCONNECT AIR HOSE FROM STAPLER.



② To adjust the driven-in depth of a staple, loosen the screw that secures a push lever piece.

If the staple is driven in deeply, adjust the push lever piece to "down", and if it's driven in shallowly, adjust the push lever piece to "up".



③ Tighten the screw to fasten the push lever piece when a suitable position is reached for a stapling test.

④ Connect the air hose. ALWAYS WEAR EYE PROTECTOR. Perform a stapling test.

⑤ DISCONNECT AIR HOSE FROM STAPLER.

⑥ Choose a suitable position for the push lever piece.

MAINTENANCE

NOTE:

The information contained in this Manual is designed to assist you in the safe maintenance of the Stapler.

Some illustrations in this Manual may show details or attachments that differ from those on your own Stapler.

MAINTENANCE AND INSPECTION

Read section titled "SAFETY" (pages 4 – 7).

⚠ WARNING

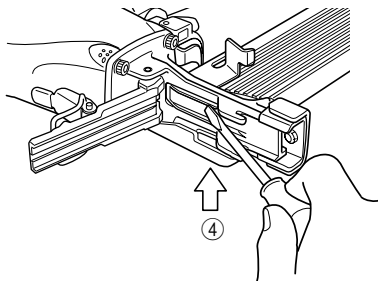
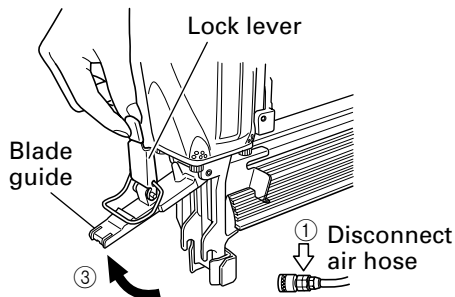
- **Disconnect air hose and remove all staples from Stapler when:**

- 1) **doing maintenance and inspection;**
- and
- 2) **clearing a jam.**

1. Clearing a jam

Remove a jammed staple in the following order:

- ① DISCONNECT AIR HOSE.
- ② Remove all staples.
- ③ Release the lock lever and open the blade guide.
- ④ Remove the jammed staple with a slotted-head screwdriver.
- ⑤ Close the blade guide and latch.
- ⑥ In case of frequent jam, contact a Hitachi authorized service center.



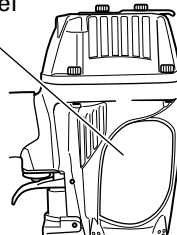
2. Storing

- When not in use for an extended period, apply a thin coat of the lubricant to the steel parts to avoid rust.
- Do not store the Stapler in a cold weather environment. Keep the Stapler in a warm area.
- When not in use, the Stapler should be stored in a warm and dry place. Keep out of reach of children.

3. WARNING LABEL

Change the WARNING LABEL if missing or damaged. A new WARNING LABEL is available from a Hitachi authorized service center.

Warning label



4. Maintenance chart (Page 19)

5. Operator troubleshooting (Page 19 – 20)

6. Service parts list
A: Item No.
B: Code No.
C: No. Used
D: Remarks

 **CAUTION**

- **Repair, modification and inspection of Hitachi Power Tools must be carried out by a Hitachi Authorized Service Center. This Parts List will be helpful if presented with the tool to the Hitachi Authorized Service Center when requesting repair or other maintenance. In the operation and maintenance of power tools, the safety regulations and standards prescribed in each country must be observed.**

MODIFICATIONS:

Hitachi Power Tools are constantly being improved and modified to incorporate the latest technological advancements.

Accordingly, some parts (i.e. code numbers and/or design) may be changed without prior notice.

SERVICE AND REPAIRS

 **WARNING**

- **Only service personnel trained by Hitachi, distributor or employer shall repair the Stapler.**
- **Use only parts supplied or recommended by Hitachi for repair.**

All quality Staplers will eventually require servicing or replacement of parts because of wear from normal use.

NOTE:

Specifications are subject to change without any obligation on the part of HITACHI.

Maintenance chart

ACTION	WHY	HOW
Drain air line filter daily.	Prevent accumulation of moisture and dirt.	Open manual petcock.
Keep lubricator filled.	Keep the Stapler lubricated.	Fill with Hitachi pneumatic tool lubricant.
Clean filter element — then blow air through filter in direction opposite to normal flow.	Prevent clogging of filter with dirt.	Follow manufacturer's instructions.
Clean magazine and feeder mechanism.	Prevent a jam.	Blow clean daily.
Keep push lever working properly.	Promote operator safety and efficient Stapler operation.	Blow clean daily.
Lubricate the Stapler after stapling.	Extend the Stapler life.	Supply 5 – 10 drops of lubricant into the Stapler.
Drain air compressor.	Keep the Stapler operated properly.	Open petcock on air compressor tank.

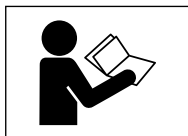
Operator troubleshooting

Most minor problems can be resolved quickly and easily using the table below. If problems persist, contact a Hitachi authorized service center for assistance.

PROBLEM	CHECK METHOD	CORRECTION
Stapler operates, but no staple is driven.	Check for a jam.	Clean jam per page 17.
	Staple feeder damaged?	Replace staple feeder.
	Ribbon spring weakened or damaged?	Replace ribbon spring.
	Check for proper staples.	Use only recommended staples.
Weak drive. Slow to cycle.	Check air pressure.	Increase air pressure. (Do not exceed 120 psi (8.3 bar 8.5 kgf/cm ²))
	Check position of stapling depth adjuster.	Readjust per pages 15 – 16.
	—————	Use Hitachi pneumatic tool lubricant.
	Driver blade worn? Piston O-ring worn or damaged?	Contact Hitachi for replacement.
Drives too deep.	Check air pressure.	Reduce air pressure. (Adjust 70 – 120 psi (4.9 – 8.3 bar 5 – 8.5 kgf/cm ²))
	Check position of stapling depth adjuster.	Readjust per pages 15 – 16.

PROBLEM	CHECK METHOD	CORRECTION
Skipping staples. Intermittent feed.	Check for proper staples.	Use only recommended staples.
	Staple feeder damaged?	Replace staple feeder.
	Ribbon spring weakened or damaged?	Replace ribbon spring.
	Piston O-ring worn or damaged?	Contact Hitachi for replacement.
Staples jam. Driven staple is bent.	Check for proper staples.	Use only recommended staples.
	Driven blade worn?	Contact Hitachi for replacement.
Drives properly during normal operation, but does not drive fully at faster stapling speeds.	Check inside diameter of air hose.	Use larger air hose.

INFORMATIONS IMPORTANTES DE SÉCURITÉ



Lire et bien assimiler toutes les étiquettes de l'outil ainsi que toutes les instructions de fonctionnement, les consignes de sécurité et les avertissements de ce mode d'emploi avant d'utiliser ou d'entretenir cette agrafeuse.

Le non respect des avertissements pourrait entraîner la MORT ou des BLESSURES GRAVES.

La plupart des accidents résultant de l'utilisation ou de l'entretien des agrafeuses sont dus au non respect de certaines consignes et précautions de sécurité élémentaires. Un accident peut souvent être évité en reconnaissant une situation potentiellement dangereuse avant qu'elle ne se produise, et en respectant les procédures de sécurité applicables.

Les consignes de sécurité élémentaires sont données dans la section "SECURITE" du manuel et dans les sections relatives aux instructions d'utilisation et d'entretien.

Les dangers à éviter pour empêcher tout risque de blessures ou de dommage de l'outil sont identifiés par les mots DANGER et AVERTISSEMENT, sur l'agrafeuse et dans ce manuel.

Ne jamais utiliser cette agrafeuse pour des applications autres que celles qui sont spécifiées dans ce manuel.

DEFINITION DES MOTS DE SIGNALISATION

DANGER indique une situation imminente dangereuse qui, si elle n'est pas évitée, entraînera la mort ou des blessures graves.

AVERTISSEMENT indique une situation potentiellement dangereuse qui, si elle n'est pas évitée, risque d'entraîner la mort ou des blessures graves.

ATTENTION indique une situation potentiellement dangereuse qui, si elle n'est pas évitée, risque d'entraîner des blessures légères ou modérées, ou d'endommager l'outil.

REMARQUE met en relief les informations essentielles.

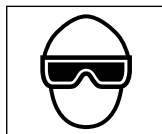
SECURITE

CONSIGNES DE SECURITE IMPORTANTES POUR L'UTILISATION DE L'AGRAFEUSE

LIRE TOUTES CES INSTRUCTIONS

⚠ DANGER

1. LES OPÉRATEURS ET LES AUTRES PERSONNES DANS L'AIRE DE TRAVAIL DOIVENT PORTER DES LUNETTES DE PROTECTION AVEC VISIÈRES LATÉRALES.



Quand on utilise l'agrafeuse, toujours porter des lunettes de protection avec visières latérales, et veiller à ce que les autres personnes dans la zone de travail en portent également.

Les lunettes de protection devront respecter les exigences de l'ANSI (American National Standards Institute) Z87.1 et assurer la protection contre les projections de particules arrivant par l'avant et par le côté.

L'employeur doit veiller à ce que la personne qui utilise l'agrafeuse et les autres personnes dans l'aire de travail portent des lunettes de protection.

2. NE JAMAIS UTILISER D'OXYGÈNE NI AUCUN AUTRE GAZ EN BOUTEILLE. IL POURRAIT SE PRODUIRE UNE EXPLOSION.



Ne jamais utiliser d'oxygène, de gaz combustibles ni aucun autre gaz en bouteille comme source d'alimentation de l'agrafeuse.

L'utilisation de ces gaz serait dangereuse, car l'agrafeuse exploserait. Utiliser exclusivement de l'air comprimé propre, sec et régulé.

⚠ AVERTISSEMENT

3. NE JAMAIS DIRIGER L'OUTIL VERS SOI NI VERS QUELQU'UN D'AUTRE DANS L'AIRE DE TRAVAIL.



Toujours supposer que l'agrafeuse renferme des clous.

Ne jamais diriger l'agrafeuse vers soi ni vers quelqu'un d'autre, qu'il renferme des clous ou non.

Si l'on enfonce des clous par erreur, cela risque de provoquer des blessures graves.

Ne jamais s'amuser avec l'agrafeuse.

L'agrafeuse est un instrument de travail. Le respecter.

4. TOUJOURS ÉLOIGNER LE DOIGT DE LA GÂCHETTE QUAND ON N'EFFECTUE PAS D'AGRAFAGE AFIN D'ÉVITER TOUT RISQUE DE DÉCLENCHEMENT ACCIDENTEL.

Ne jamais transporter l'outil avec le doigt sur la gâchette, car on risquerait d'enfoncer accidentellement un clou et de se blesser ou de blesser quelqu'un d'autre.

Toujours transporter l'agrafeuse exclusivement par sa poignée.

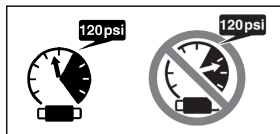
5. LE CHOIX DE LA MÉTHODE D'UTILISATION DE LA GÂCHETTE EST IMPORTANT.

Lire et bien assimiler la section intitulée "METHODES D'UTILISATION". (pages 34 - 35).

SECURITE — suite

⚠ AVERTISSEMENT

6. NE PAS DEPASSER 120 psi. (8.3 bars 8.5 kgf/cm²)



Ne pas dépasser la pression d'air maximale recommandée de 120 psi (8.3 bars 8.5 kgf/cm²).

Ne jamais raccorder l'agrafeuse à une pression susceptible de dépasser 200 psi (13.7 bars 14 kgf/cm²) car l'agrafeuse pourrait exploser.

7. TOUJOURS PORTER DES PROTECTIONS ANTI-BRUIT ET UN CASQUE.

Toujours porter des protections anti-bruit pour ne pas s'endommager l'ouïe.

Toujours porter un casque pour se protéger la tête contre les projectiles.

8. RANGER LE CLOUEUR CORRECTEMENT.

Quand on ne s'en sert pas, ranger l'agrafeuse dans un endroit sec. La ranger hors de portée des enfants. Verrouiller la zone de rangement.

9. MAINTENIR L'AIRE DE TRAVAIL PROPRE.

Une aire encombrée invite les blessures. Enlever tous les outils inutiles, débris, meubles, etc. de l'aire de travail.

10. NE JAMAIS UTILISER EN PRESENCE DE LIQUIDES OU DE GAZ INFLAMMABLES.

L'agrafeuse provoque des étincelles quand elle fonctionne.

Ne jamais utiliser l'agrafeuse dans un endroit renfermant de la laque, de la peinture, de la benzine, du diluant, de l'essence, des gaz, des agents adhésifs ni aucune autre matière combustible ou explosive.

11. ELOIGNER LES VISITEURS.

Ne pas laisser les visiteurs manipuler l'agrafeuse.

Tous les visiteurs devront rester en dehors de l'aire de travail.

12. PORTER UN HABILLEMENT APPROPRIE.

Ne porter ni vêtements lâches ni bijoux qui pourraient se prendre dans les pièces en mouvement.

Porter des gants de caoutchouc et des chaussures solides si l'on travaille dehors.

Si l'on a les cheveux longs, les maintenir serrés dans un couvre-chef.

13. NE JAMAIS UTILISER DE COUPLEUR NON DEGAGEANT SUR L'AGRAFEUSE.

Si l'on utilise un coupleur non dégageant sur l'agrafeuse, l'agrafeuse risque de rester chargée d'air après le débranchement, et donc d'enfoncer agrafe même après qu'elle est débranchée.

L'agrafeuse et le tuyau d'air doivent avoir un coupleur de tuyau tel que toute la pression soit évacuée de l'agrafeuse quand on débranche le joint de couplage.

14. VERIFIER LE LEVIER-POUSSOIR AVANT L'UTILISATION.

S'assurer que le levier-poussoir fonctionne correctement. (Le levier-poussoir est parfois appelé "sécurité".)

Ne jamais utiliser l'agrafeuse si le levier-poussoir ne fonctionne pas correctement. Une agrafe pourrait s'enfoncer accidentellement. Ne pas toucher au levier-poussoir ni le retirer, car il pourrait ne plus fonctionner.

15. VEILLER A CE QUE TOUTES LES VIS ET LES COUVERCLES SOIENT EN PLACE ET BIEN SERRES.

Veiller à ce que les vis et les couvercles soient solidement fixés. Les vérifier périodiquement.

Ne jamais utiliser l'agrafeuse si des pièces manquent ou sont endommagées.

SECURITE — suite

AVERTISSEMENT

16. NE PAS CHARGER DE AGRAFES SI LA GACHETTE OU LE LEVIER-POUSSOIR SONT ENFONCES.

Quand on charge des agrafes dans l'agrafeuse ou qu'on raccorde le tuyau d'air,

- 1) ne pas tirer sur la gâchette;
- 2) ne pas actionner le levier-poussoir; et
- 3) diriger l'agrafeuse vers le bas.

17. TENIR TOUJOURS ELOIGNER, LA TETE, LES MAINS ET LES PIEDS DE LA TETE DE CLOUAGE.

Ne jamais approcher la tête, les mains ni les pieds de la tête de clouage.

18. PLACER L'AGRAFEUSE CORRECTEMENT SUR LA PIECE.

Ne pas enfoncer d'agrafes sur d'autres agrafes ni avec l'agrafeuse à un angle trop aigu; les agrafes pourraient ricocher et blesser quelqu'un.

19. FAIRE ATTENTION AUX DOUBLES ACTIVATIONS DUES AU RAPPEL.

Si on laisse le levier-poussoir entrer accidentellement en contact avec la pièce après le rappel, une agrafe risque d'être enfoncée.

Pour éviter ce risque,

- 1) ne pas appuyer l'agrafeuse trop fort contre la pièce ;
- 2) éloigner complètement l'agrafeuse de la pièce avec le rappel, et maintenir le levier-poussoir à distance de la pièce jusqu'à l'opération de clouage suivante;
- 3) tirer sur la gâchette et la relâcher **RAPIDEMENT** lors d'opérations intermittentes (déclenchement par gâchette).

20. NE PAS ENFONCER D'AGRAFES DANS DES PLANCHES MINCES NI PRES DES COINS ET DES BORDS DE LA PIECE.

Les agrafes pourraient traverser la pièce ou s'enfoncer ailleurs que dans la pièce et blesser quelqu'un.

21. NE JAMAIS ENFONCER AGRAFEUSE DES DEUX COTES D'UN MUR EN MEME TEMPS.

Les agrafes pourraient traverser le mur et blesser quelqu'un de l'autre côté.

22. VERIFIER S'IL Y A DES FILS SOUS TENSION.

Pour éviter tout risque d'électrocution grave, vérifier s'il y a des fils sous tension dissimulés dans le mur, le plancher ou le plafond. Couper le disjoncteur pour s'assurer qu'il n'y a pas de fils sous tension.

23. NE PAS TRANSPORTER L'AGRAFEUSE PAR LE TUYAU.

24. NE PAS TROP SE PENCHER.

Conservé une bonne assise et un bon équilibre à tout moment.

25. NE JAMAIS UTILISER UN AGRAFEUSE DEFECTUEUSE OU QUI NE FONCTIONNE PAS NORMALEMENT.

Si l'agrafeuse semble ne pas fonctionner comme d'habitude, qu'elle fait des bruits bizarres ou qu'elle semble défectueuse, cesser immédiatement de l'utiliser et la faire réparer par un service après-vente Hitachi agréé.

26. NE PAS DEBRANCHER LE TUYAU D'AIR DE L'AGRAFEUSE AVEC LE DOIGT SUR LA GACHETTE.

L'agrafeuse pourrait se déclencher lorsque l'air sera à nouveau alimenté.

27. DEBRANCHER LE TUYAU D'AIR DE L'AGRAFEUSE QUAND:

- 1) on entretient ou inspecte l'agrafeuse ;
- 2) on charge les clous ;
- 3) on retire des agrafes coincées ;
- 4) on ne s'en sert pas ;
- 5) on quitte l'aire de travail ;
- 6) on le transporte dans un autre endroit; et
- 7) on le passe à quelqu'un d'autre.

SECURITE — suite

AVERTISSEMENT

Ne jamais retirer des agrafes coincées ni réparer l'agrafeuse si le tuyau d'air n'est pas débranché de l'agrafeuse et que les agrafes restants ne sont pas toutes retirées de l'agrafeuse.

Ne jamais s'éloigner de l'agrafeuse car des personnes non familiarisées avec son fonctionnement pourraient la manipuler et se blesser.

28. RESTER SUR SES GARDES.

Regarder ce que l'on fait. Faire preuve de bon sens. Ne pas utiliser l'agrafeuse lorsqu'on est fatigué.

Ne jamais utiliser l'agrafeuse si l'on est sous l'influence de médicaments, d'alcool ou de toute autre substance soporifique.

29. MANIPULER L'AGRAFEUSE CORRECTEMENT.

Utiliser l'agrafeuse en suivant les instructions du manuel.

Ne jamais permettre que l'agrafeuse soit utilisée par des enfants, des personnes non familiarisées avec son fonctionnement ou des personnes non autorisées.

30. NE JAMAIS UTILISER L'AGRAFEUSE POUR DES APPLICATIONS AUTRES QUE CELLES QUI SONT SPECIFIEES DANS CE MANUEL.

31. MANIPULER L'AGRAFEUSE AVEC PRECAUTION.

A cause de la pression d'air élevée à l'intérieur de l'agrafeuse, les fissures en surface sont dangereuses.

Pour éviter tout risque, ne pas faire tomber l'agrafeuse ni la heurter contre des surfaces dures ; et ne pas la rayer ni graver des inscriptions dessus. Manipuler l'agrafeuse avec précaution.

32. ENTREtenir SOIGNEUSEMENT L'AGRAFEUSE.

Veiller à ce que l'agrafeuse soit toujours propre et graissée pour obtenir un fonctionnement optimal et en toute sécurité.

33. UTILISER EXCLUSIVEMENT DES PIECES, ACCESSOIRES OU AGRAFES FOURNIS OU RECOMMANDES PAR HITACHI.

Des pièces, accessoires ou agrafes non autorisés pourraient annuler la garantie, entraîner un mauvais fonctionnement et provoquer des blessures.

Les réparations de l'agrafeuse seront confiées exclusivement au personnel d'entretien formé par Hitachi, au distributeur ou à l'employeur.

34. NE JAMAIS MODIFIER NI ALTÉRER UNE AGRAFEUSE.

Cela pourrait provoquer un mauvais fonctionnement et entraîner des blessures physiques.

SECURITE — suite

AVERTISSEMENT

RESPONSABILITES DE L'EMPLOYEUR

1. Veiller à ce que ce MANUEL reste à la disposition des personnes qui doivent utiliser ou entretenir l'agrafeuse.
2. Veiller à ce que les agrafeuses soient utilisées exclusivement lorsque les opérateurs et les autres personnes présentes dans l'aire de travail portent des LUNETTES DE PROTECTION.
3. Obliger les opérateurs et les autres personnes présentes dans l'aire de travail à porter des LUNETTES DE PROTECTION.
4. Maintenir les agrafeuses en bon ordre de marche.
5. Entretenir les agrafeuses correctement.
6. Veiller à ce que les agrafeuses qui ont besoin d'être réparées ne soient plus utilisées avant d'être réparées.

CONSERVER CE MANUEL ET LE METTRE A LA DISPOSITION DES UTILISATEURS !

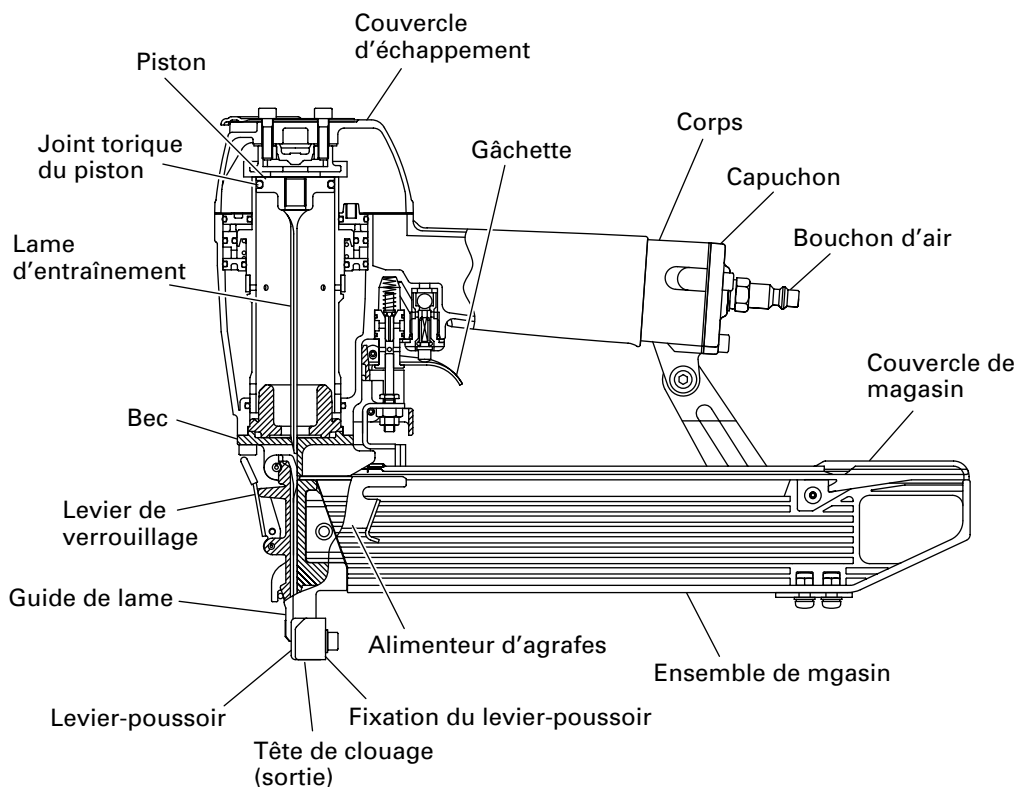
UTILISATION

REMARQUE :

Les informations contenues dans ce manuel ont pour but d'aider l'opérateur à utiliser l'agrafeuse en toute sécurité.

Certaines des illustrations du manuel peuvent montrer des détails ou des accessoires qui diffèrent de ceux de votre agrafeuse.

NOM DES PIÈCES



SPECIFICATIONS

Pression d'utilisation	70 – 120 psi (4.9 – 8.3 bars) 5 – 8.5 kgf/cm ²
Dimensions Longueur × Hauteur × Largeur	14-3/8" × 10-5/32" × 3" (365 mm × 258 mm × 76 mm)
Poids	4.4 lbs. (2.0 kg)
Contenance d'agrafes	150 agrafes
Consommation d'air	.040 ft ³ /cycle à 100 psi (1.1 ltr/cycle à 6.9 bar) (1.1 ltr/cycle à 7 kgf/cm ²)

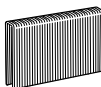
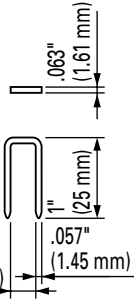
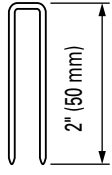
SELECTION DES AGRAFES

⚠ AVERTISSEMENT


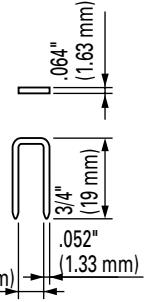
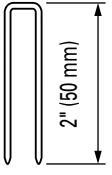
- **Bien utiliser exclusivement les agrafes HITACHI d'origine avec le N5008AC2, N5010A. L'utilisation d'autres agrafes risque de provoquer un mauvais fonctionnement de l'outil et/ou une rupture des agrafes, et d'entraîner des blessures.**

Seuls les agrafes indiquées dans le tableau ci-dessous pourront être utilisées avec ce agrafeuse.

Dimensions des agrafes pour N5008AC2

Agrafe de Calibre 16 Couronne 7/16"	Min.	Max.
	 <p>.063" (1.61 mm)</p> <p>1" (25 mm)</p> <p>.057" (1.45 mm)</p> <p>.309" (7.9 mm)</p>	 <p>2" (50 mm)</p>

Dimensions des agrafes pour N5010A

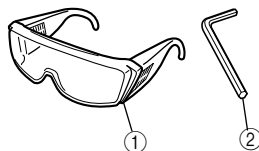
Agrafe de Calibre 16 Couronne 1/2"	Min.	Max.
	 <p>.064" (1.63 mm)</p> <p>3/4" (19 mm)</p> <p>.052" (1.33 mm)</p> <p>.386" (9.8 mm)</p>	 <p>2" (50 mm)</p>

ACCESSOIRES

⚠ AVERTISSEMENT

- **Les accessoires autres que ceux indiqués ci-dessous risquent de mal fonctionner et de provoquer des blessures.**

ACCESSOIRES STANDARD



① Lunettes de protection	1
② Clé Allen pour vis M5	1

ACCESSOIRES EN OPTION

... vendus séparément

- Mécanisme de déclenchement par contact
(activation par band) (Code No. 876762)
- Huile de machine pneumatique
Alimenteur d'huile 1 oz (30 cc)
(Code No. 877153)
Alimenteur d'huile 4 oz (120 cc)
(Code No. 874042)
Alimenteur d'huile 1 quart (1 l)
(Code No. 876212)

REMARQUE: Les accessoires sont sujets à modification sans préavis et sans aucune obligation de la part de HITACHI.

APPLICATIONS

- Travaux de construction tels que revêtements muraux, panneaux de toit, supports de revêtement de sol.
- Constructions de résidences mobiles et modulaires.
- Fabrication de boîtes en bois et de palettes perdues.

AVANT L'UTILISATION

Lire la section intitulée "SECURITE" (pages 22 – 26).

Bien vérifier les points suivants avant de travailler.

ENVIRONNEMENT DE TRAVAIL

⚠ AVERTISSEMENT

- **Pas de gaz ou liquides inflammables, ni aucun autre objet inflammable sur le chantier.**
- **Evacuer les enfants et les personnes non autorisées de l'aire de travail.**

ALIMENTATION D'AIR

⚠ DANGER



- **NE JAMAIS utiliser d'oxygène ni aucun autre gaz en bouteille. Il pourrait se produire une explosion.**

⚠ AVERTISSEMENT

- **Ne jamais raccorder l'agrafeuse à une pression qui risque de dépasser 200 psi (13.7 bars 14 kgf/cm²).**
- **Ne jamais utiliser de coupleur non dégageant sur l'agrafeuse.**

1. Alimentation

- Utiliser exclusivement de l'air comprimé propre, sec et régulé avec cette agrafeuse.
- Les compresseurs d'air utilisés pour alimenter l'air comprimé à l'agrafeuse devront respecter les exigences ANSI B19.3 "Normes de sécurité pour les compresseurs des industries de transformation".
- L'humidité ou l'huile dans le compresseur d'air peuvent accélérer l'usure et la corrosion de l'agrafeuse. Purger tous les jours.

2. Filtre-régulateur-lubrificateur

- Utiliser un régulateur d'une pression comprise entre 0 – 120 psi (0 – 8.3 bars 0 – 8.5 kgf/cm²).
- Les unités filtre-régulateur-lubrificateur procureront les conditions optimales de l'agrafeuse et accroîtront sa durée de service. Toujours les utiliser.

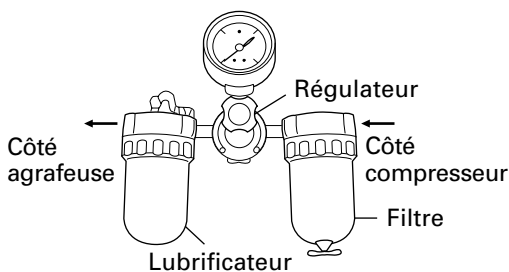
Filtre Le filtre enlève l'humidité et la saleté mélangées à l'air comprimé.
Purger tous les jours, sauf si l'outil possède une purge automatique. Nettoyer régulièrement le filtre.

Régulateur Le régulateur contrôle la pression de fonctionnement afin d'assurer la sécurité de l'agrafeuse.

Inspecter le régulateur avant le travail pour s'assurer qu'il fonctionne correctement.

Lubrificateur ... Le lubrificateur alimente de l'huile vaporisée à l'agrafeuse.

Inspecter le lubrificateur avant le travail pour s'assurer que l'alimentation d'huile est adéquate. Utiliser une huile de machine pneumatique Hitachi.



3. **Tuyau d'air**
Le tuyau d'air doit avoir une pression de travail minimum de 150 psi (10.4 bars 10.6 kgf/cm²) ou 150% de la pression maximum produite par le système, à savoir la plus élevée.
4. **Consommation d'air**
Sélectionner la taille du compresseur en se reportant au tableau de consommation d'air et aux formules de taille du compresseur.

Tableau de consommation d'air

Pression de fonctionnement	psi (bar) (kgf/cm ²)	80 (5.5) (5.6)	90 (6.2) (6.3)	100 (6.9) (7)
Consommation d'air	ft ³ /cycle (ltr/cycle)	.028 (.8)	.032 (.9)	.039 (1.1)

Formules de taille du compresseur d'air

Quantité d'air requise

= nombre d'agrafes

× agrafes moyennes enfoncées par minute par l'agrafeuse

× consommation d'air à une pression donnée

× facteur de sécurité (toujours 1.2)
Exemple: 3 agrafeuses (N5010A) fonctionnant à 100 psi et enfonçant 30 agrafes par minute

Quantité d'air requise

$$= 3 \times 30 \times .039 (1.1) \times 1.2$$

$$= 4.2 \text{ CFM (ft}^3\text{/mn)(119 l/mn)}$$

Effectuer le calcul ci-dessus pour obtenir un compresseur fournissant les 4.2 CFM d'air nécessaires.

GRAISSAGE

Il est essentiel que l'agrafeuse soit graissée correctement. Si l'agrafeuse est mal graissée, elle ne fonctionnera pas correctement et les pièces s'useront prématurément.

- Utiliser une huile de machine Hitachi. Ne pas utiliser d'huile détergente ni d'additifs. Ces lubrifiants endommageraient les joints toriques et les autres pièces en caoutchouc. Cela provoquerait un mauvais fonctionnement de l'agrafeuse.
- Toujours utiliser des unités filtre-régulateur-lubrificateur. Veiller à ce que le régulateur soit toujours plein d'huile de machine pneumatique Hitachi.
- Si l'on ne possède pas de lubrificateur, mettre 5 à 10 gouttes d'huile de machine pneumatique Hitachi dans le bouchon d'air de l'agrafeuse deux fois par jour.

ENTRETIEN PAR TEMPS FROID

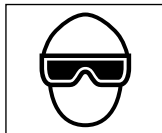
- Ne pas ranger l'agrafeuse dans un environnement froid. La laisser dans un endroit chaud jusqu'à ce que l'on soit prêt à travailler.
- Si l'agrafeuse est déjà froide, l'amener dans un endroit chaud et la laisser réchauffer avant de l'utiliser.
 - ① Réduire la pression d'air à 64 psi (4.4 bars 4.5 kgf/cm²).
 - ② Sortir tous les agrafes de l'agrafeuse.
 - ③ Raccorder le tuyau d'air et faire un essai d'agrafage (agrafage à blanc). La pression d'air inférieure sera suffisante pour l'agrafage à blanc. Les opérations à vitesse lente ont tendance à chauffer les pièces mobiles.

⚠ ATTENTION

- Ne pas faire un essai d'agrafage à blanc à haute pression.

ESSAI DE L'AGRAFEUSE

⚠ DANGER



- Les opérateurs et les autres personnes dans l'aire de travail DOIVENT porter des lunettes de protection avec visières latérales respectant les exigences ANSI Z87.1.

⚠ AVERTISSEMENT

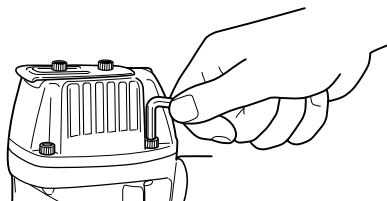
- Ne jamais utiliser l'agrafeuse si le levier-poussoir ne fonctionne pas correctement.

Avant de commencer le travail proprement dit, faire un essai d'agrafage en vérifiant les points ci-dessous. Effectuer les essais dans l'ordre indiqué.

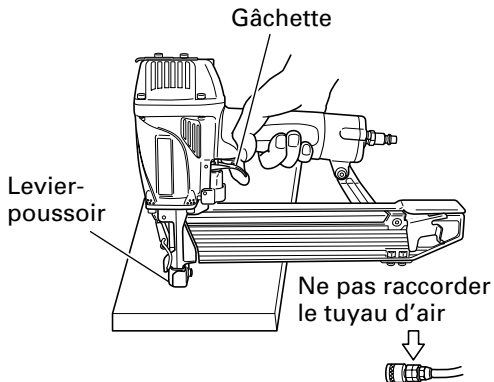
S'il se produit un fonctionnement anormal, cesser immédiatement d'utiliser le cloueur et contacter un service après-vente agréé Hitachi.

- (1) DEBRANCHER LE TUYAU D'AIR D'AGRAFAGE. SORTIR TOUS LES AGRAFES D'AGRAFAGE.

- TOUTES LES VIS DOIVENT ETRE SERREES A FOND.
Si certaines vis sont relâchées, les revisser.



- LE LEVIER-POUSOIR ET LA GACHETTE DOIVENT FONCTIONNER AVEC SOUPLESSE.

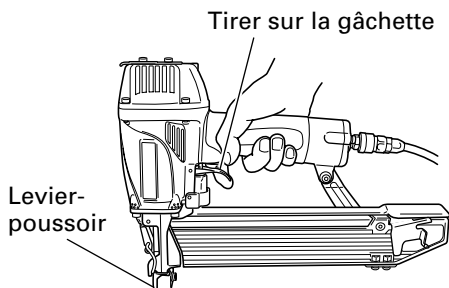


- (2) Régler la pression d'air sur 70 psi (4.9 bars 5 kgf/cm²).
Raccorder le tuyau d'air.
Ne pas mettre d'agrafes dans l'agrafeuse.

- L'AGRAFEUSE NE DOIT PAS AVOIR DE FUITE D'AIR.

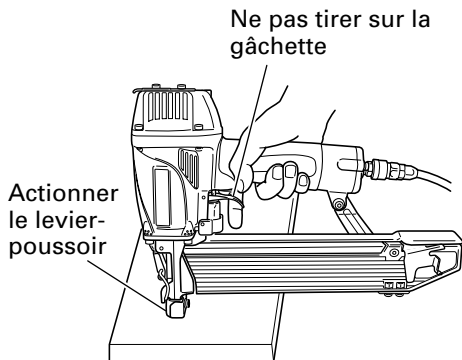
Diriger l'agrafeuse vers le bas et tirer sur la gâchette.

- L'AGRAFEUSE NE DOIT PAS FONCTIONNER.



- (3) Le doigt étant retiré de la gâchette, actionner le levier-poussoir contre la pièce.

L'AGRAFEUSE NE DOIT PAS FONCTIONNER.



- (4) Sans toucher la gâchette, actionner le levier-poussoir contre la pièce. Tirer sur la gâchette.

L'AGRAFEUSE DOIT FONCTIONNER.

- (5) L'agrafeuse ne touchant plus la pièce, tirer sur la gâchette. Actionner le levier-poussoir contre la pièce.

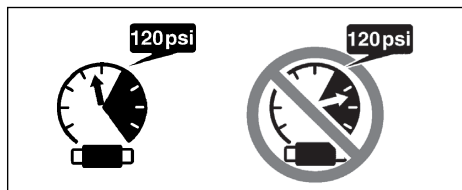
L'AGRAFEUSE DOIT FONCTIONNER.

- (6) Si l'on ne remarque aucun fonctionnement anormal, on pourra mettre des agrafes dans l'agrafeuse. Enfoncer les agrafes dans un matériau du même type que celui du travail proprement dit.

L'AGRAFEUSE DOIT FONCTIONNER CORRECTEMENT.

REGLAGE DE LA PRESSION D'AIR

⚠ AVERTISSEMENT



- Ne pas dépasser 120 psi (8.3 bars 8.5 kgf/cm²).

Régler la pression d'air à la pression de travail recommandée de 70 – 120 psi (4.9 – 8.3 bars 5 – 8.5 kgf/cm²) en fonction de la longueur des agrafes et de la dureté du matériau.

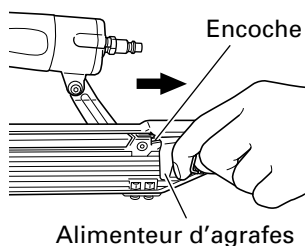
La pression d'air correcte est la pression la plus basse capable d'effectuer le travail. L'utilisation d'une pression d'air supérieure à la pression nécessaire fatiguera inutilement l'agrafeuse.

CHARGEMENT DES AGRAFES

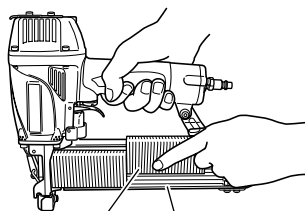
⚠ AVERTISSEMENT

- Lors du chargement des agrafes dans l'agrafeuse,
 - 1) ne pas tirer sur la gâchette ;
 - 2) ne pas actionner le levier-poussoir; et
 - 3) diriger l'agrafeuse vers le bas.

- (1) Tirer l'alimenteur d'agrafes vers l'arrière et le fixer solidement à une encoche du magasin.

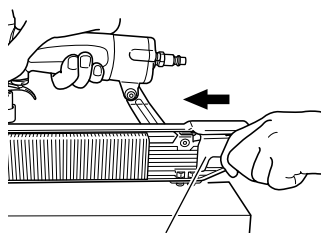


- (2) Placer la bande d'agrafes sur le magasin. Vérifier que la bande d'agrafes glisse en douceur sur le magasin.



Agrafes Magasin

- (3) Tirer l'alimenteur d'agrafes vers l'arrière. Ensuite, le détacher de l'encoche du magasin et ramener doucement l'agrafe en arrière comme si elle subissait une poussée douce, en évitant tout impact.



Alimenteur d'agrafes

L'agrafeuse est maintenant prête à fonctionner.

⚠ ATTENTION

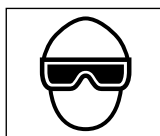
Si l'on relâche l'alimenteur d'agrafes subitement, il risque de revenir brusquement, ce qui pourrait déformer et/ou éparpiller les agrafes, et qui finirait par coincer les agrafes.

Bien ramener l'alimenteur d'agrafes en arrière en évitant absolument tout impact.

UTILISATION DE L'AGRAFEUSE

Lire la section intitulée "SECURITE" (pages 22– 26).

⚠ DANGER



- Les opérateurs et les autres personnes dans l'aire de travail **DOIVENT** porter des lunettes de protection avec visières latérales respectant les exigences ANSI Z87.1.

⚠ AVERTISSEMENT



- **NE JAMAIS** diriger l'outil vers soi ni vers quelqu'un d'autre dans l'aire de travail.
- **TOUJOURS** éloigner le doigt de la gâchette quand on n'effectue pas d'agrafage afin d'éviter tout risque de déclenchement accidentel.
- Le choix de la méthode d'utilisation de la gâchette est important. Lire et bien assimiler la "METHODES D'UTILISATION" ci-dessous.
- Ne jamais approcher la tête, les mains ni les pieds de la tête de clouage.
- Ne pas enfoncer d'agrafes sur d'autres agrafes ni avec l'agrafeuse à un angle trop aigu ; les agrafes pourraient ricocher et blesser quelqu'un.
- Pour éviter tout risque de déclenchement double ou toute éjection inadvertante d'une agrafe de à un bondissement de l'agrafeuse.
 - 1) ne pas appuyer l'agrafeuse trop fort contre la pièce ;
 - 2) éloigner complètement l'agrafeuse de la pièce avec le rappel ;
 - 3) relâcher la gâchette rapidement lorsqu'on effectue un clouage par gâchette.
- Ne pas enfoncer d'agrafes dans des planches minces ni près des coins et des bords de la pièce. Les agrafes pourraient traverser la pièce ou s'enfoncer ailleurs que dans la pièce et blesser quelqu'un.
- Ne jamais enfoncer d'agrafes des deux côtés d'un mur en même temps. Les agrafes pourraient traverser le mur et blesser quelqu'un de l'autre côté.

- Ne jamais utiliser l'agrafeuse si elle est défectueuse ou qu'elle ne fonctionne pas normalement.
- Ne pas se servir de l'agrafeuse comme d'un marteau.
- Débrancher le tuyau d'air de l'agrafeuse quand:
 - 1) réglage du levier-poussoir;
 - 2) on ne s'en sert pas;
 - 3) on quitte l'aire de travail;
 - 4) on le transporte dans un autre endroit; et
 - 5) on le passe à quelqu'un d'autre.

Cette agrafeuse Hitachi possède un MÉCANISME DE DÉCLENCHEMENT PAR CONTACT STANDARD (activation par band). Il existe un lot de MÉCANISME DE DÉCLENCHEMENT SÉQUENTIEL EN OPTION (CLOUAGE SIMPLE) dont le numéro de pièce de commande est 876762.

On utilisera LE MÉCANISME DE DÉCLENCHEMENT PAR CONTACT STANDARD (activation par band) pour effectuer un clouage rapide, et en respectant la "méthode d'utilisation" ci-dessous.

METHODES D'UTILISATION

L'agrafeuse est équipée d'un levier-poussoir et elle ne fonctionne pas tant que le levier-poussoir n'est pas enfoncé (position supérieure).

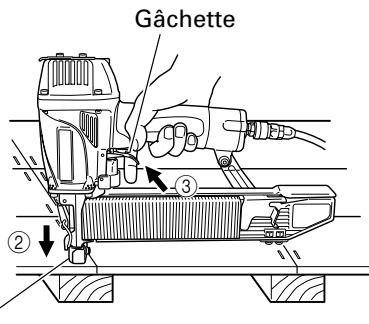
Il y a deux façons d'enfoncer des agrafes avec l'agrafeuse.

Ces deux méthodes sont :

1. Fonctionnement intermittent (déclenchement par gâchette) :
2. Fonctionnement continu (déclenchement par levier-poussoir) :

(1) Fonctionnement intermittent (déclenchement par gâchette)

- ① Placer l'orifice de sortie des agrafes sur la pièce en enlevant le doigt de la gâchette.
- ② Actionner fermement le levier-poussoir jusqu'à ce qu'il soit complètement enfoncé.
- ③ Tirer sur la gâchette pour enfoncer une agrafe.
- ④ Retirer le doigt de la gâchette. Pour enfoncer une autre agrafe, déplacer agrafes sur la pièce, et recommencer.



Levier-poussoir

(2) Fonctionnement continu (déclenchement par levier-poussoir)

⚠ AVERTISSEMENT

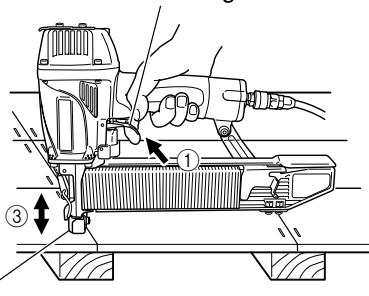
- Pour éviter tout déclenchement double ou tout déclenchement accidentel du fait d'un rappel.

- 1) Ne pas appuyer trop fort l'agrafeuse contre la pièce à usiner.
- 2) Éloigner l'agrafeuse de la pièce à usiner, car elle effectue un rappel après l'agrafage.

- ① Tirer sur la gâchette en retirant l'agrafeuse de la pièce.
- ② Actionner le levier-poussoir contre la pièce pour enfoncer une agrafe.
- ③ Déplacer l'agrafeuse le long de la pièce en lui faisant faire des bonds. Chaque pression du levier-poussoir enfonce une agrafe.

Dès que le nombre d'agrafes voulu est enfoncé, retirer le doigt de la gâchette.

Au préalable, tirer sur la gâchette



Levier-poussoir

⚠ AVERTISSEMENT

- **Ne pas mettre le doigt sur la gâchette sauf pendant une opération de clouage, car un contact accidentel du levier-poussoir sur l'opérateur ou sur les personnes alentour pourrait entraîner des blessures graves.**
- **Ne pas approcher les mains ni le corps de la section de sortie des clous. L'agrafeuse avec mécanisme de déclenchement par contact risque de faire un bond après avoir enfoncé une agrafe, ce qui pourrait enfoncer une autre agrafe et provoquer des blessures.**
- **Certains types d'agrafes peuvent s'éjecter de la buse pendant une opération de clouage quand elles sont chargées. Faire attention !**

On utilisera LE MÉCANISME DE DÉCLENCHEMENT SÉQUENTIEL EN OPTION (CLOUAGE SIMPLE) pour effectuer un clouage précis et en respectant la "méthode de fonctionnement" ci-dessous.

Appuyer tout d'abord sur le levier-poussoir (position "haut") à l'endroit où l'on veut enfoncer l'agrafe, puis tirer sur la gâchette. Après avoir enfoncé chaque agrafe, relâcher complètement la gâchette et relever l'outil de la surface de travail. Le MÉCANISME DE DÉCLENCHEMENT SÉQUENTIEL EN OPTION réduit les risques de blessures pour l'opérateur et les personnes qui se trouvent dans l'aire de travail. En effet, il risque moins d'enfoncer accidentellement une agrafe si l'on garde le doigt sur la gâchette et qu'on appuie accidentellement le levier-poussoir contre soi ou contre une autre personne. Le MÉCANISME DE DÉCLENCHEMENT SÉQUENTIEL EN OPTION réduit également la vitesse de clouage par rapport au mécanisme de déclenchement par contact standard.

REMARQUE :

- Le MÉCANISME DE DÉCLENCHEMENT PAR CONTACT STANDARD et le MÉCANISME DE DÉCLENCHEMENT SÉQUENTIEL EN OPTION sont tous deux parfaitement sûrs s'ils sont utilisés conformément aux avertissements et aux instructions.

- Toujours manier les agrafes et le paquet avec précaution. Si les agrafes tombent, la colle d'assemblage risque de se briser.
- Après l'agrafage:
 - 1) débrancher le tuyau d'air de l'agrafeuse;
 - 2) sortir toutes les agrafes de l'agrafeuse;
 - 3) mettre 5 ou 10 gouttes d'huile de machine pneumatique Hitachi dans le bouchon d'air de l'agrafeuse; et
 - 4) ouvrir le robinet de purge du réservoir du compresseur d'air pour purger toute l'humidité.

REGLAGE DE LA PROFONDEUR DE AGRAFAGE

⚠ AVERTISSEMENT

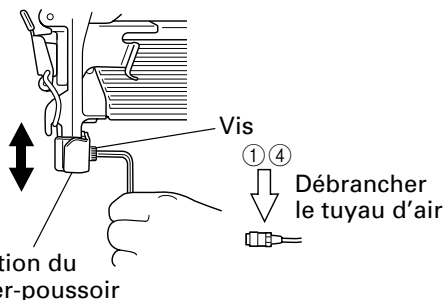
- **Lors de l'ajustement de l'ajusteur, s'assurer de retirer son doigt de la gâchette et de débrancher le tuyau d'air de l'agrafeuse.**

Pour que les agrafes s'enfoncent toutes à la même profondeur, s'assurer que:

- 1) la pression d'air de l'agrafeuse reste constante (le régulateur est installé et il fonctionne normalement), et
- 2) l'agrafeuse est toujours maintenue fermement contre la pièce.

Si les agrafes sont enfoncées trop loin ou pas assez dans la pièce, régler le clouage dans l'ordre suivant.

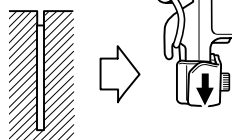
- ① **DEBRANCHER LE TUYAU D'AIR DE L'AGRAFEUSE.**



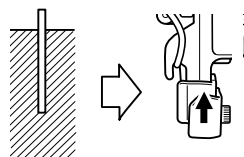
- ② Pour régler la profondeur de clouage, desserrer la vis de fixation du levier-poussoir.

Si l'agrafe doit être clouée profondément, régler le levier-poussoir sur «bas», et si elle doit être clouée peu profondément, régler le levier-poussoir sur «haut».

Trop profond



Pas assez profond



- ③ Serre la vis pour fixer le levier-poussoir une fois la position d'agrafage d'essai adéquate atteinte.
- ④ Brancher le tuyau d'air.
TOUJOURS PORTER DES LUNETTES DE PROTECTION.
Effectuer un agrafage d'essai.
- ⑤ **DEBRANCHER LE TUYAU D'AIR DE L'AGRAFEUSE.**
- ⑥ Sélectionner la position du levier-poussoir qui convient.

ENTRETIEN

REMARQUE :

Les informations contenues dans ce manuel ont pour but d'aider l'opérateur à utiliser l'agrafeuse en toute sécurité.

Certaines des illustrations du manuel peuvent montrer des détails ou des accessoires qui diffèrent de ceux de votre agrafeuse.

ENTRETIEN ET INSPECTION

Lire la section intitulée "SECURITE" (pages 22 – 26).

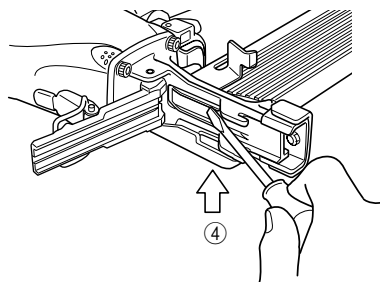
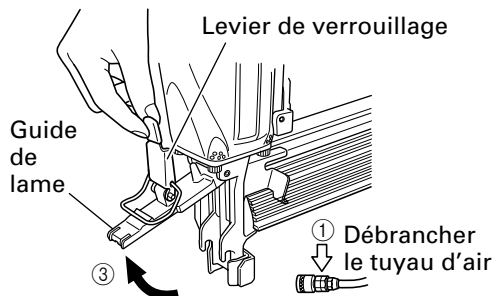
⚠ AVERTISSEMENT

- **Débrancher le tuyau d'air et sortir toutes les agrafes de l'agrafeuse quand:**

- 1) on entretient ou on inspecte l'agrafeuse; et
- 2) on retire des agrafes coincées.

1. Dégagement des agrafes coincées
Pour dégager une agrafe coincée, procéder comme suit :

- ① DÉBRANCHER LE TUYAU D'AIR.
- ② Retirer toutes les agrafes.
- ③ Libérer le levier de verrouillage et ouvrir le guide de lame.
- ④ Retirer l'agrafe coincée avec un tournevis pour écrou à fente.
- ⑤ Refermer le guide de lame et la fermeture.
- ⑥ Si les agrafes se coincent fréquemment, contacter un service après-vente Hitachi agréé.



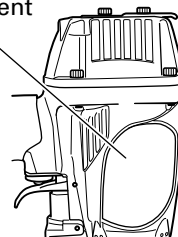
2. Remisage

- Si l'on ne se sert pas de l'agrafeuse pendant un certain temps, enduire ses pièces en acier d'une mince couche de graisse pour éviter toute corrosion.
- Ne pas remisier l'agrafeuse dans un environnement froid. La laisser dans un endroit chaud.
- Lorsqu'on ne se sert pas de l'agrafeuse, la remisier dans un endroit chaud et sec. La ranger hors de portée des enfants.

3. ETIQUETTE D'AVERTISSEMENT

Remplacer l'ETIQUETTE D'AVERTISSEMENT si elle manque ou qu'elle est endommagée. Se procurer une nouvelle ETIQUETTE D'AVERTISSEMENT auprès d'un service après-vente Hitachi agréé.

Etiquette d'avertissement



4. Tableau d'entretien (voir page 39)

5. Guide de dépannage de l'opérateur (voir page 40)
6. Liste des pièces de rechange
 - A: No. élément
 - B: No. code
 - C: No. utilisé
 - D: Remarques

ATTENTION

- **Les réparations, modifications et inspections des outils électriques Hitachi doivent être confiées à un service après-vente Hitachi agréé.**

Il sera utile de présenter cette liste de pièces au service après-vente Hitachi agréé lorsqu'on apporte un outil nécessitant des réparations ou tout autre entretien.

Lors de l'utilisation et de l'entretien d'un outil électrique, respecter les règlements et les normes de sécurité en vigueur dans le pays en question.

MODIFICATIONS:

Les outils électriques Hitachi sont constamment améliorés et modifiés afin d'incorporer les tous derniers progrès technologiques.

En conséquence, il est possible que certaines pièces (c.-à-d. no. de code et/ou dessin) soient modifiées sans avis préalable.

ENTRETIEN ET REPARATIONS

AVERTISSEMENT

- **Les réparations de l'agrafeuse seront confiées exclusivement au personnel d'entretien formé par Hitachi, au distributeur ou à l'employeur.**
- **Pour les réparations, utiliser exclusivement des pièces fournies ou recommandées par Hitachi.**

Du fait de l'usure normale, les agrafeuses de qualité finissent toujours par avoir besoin d'un entretien ou d'un remplacement de pièce.

REMARQUE:

Les spécifications sont sujettes à modification sans préavis et sans aucune obligation de la part de HITACHI.

Tableau d'entretien

ACTION	POURQUOI	COMMENT
Purger le filtre de la ligne d'air tous les jours.	Eviter l'accumulation d'humidité et de poussière.	Ouvrir le robinet de purge manuel.
Veiller à ce que le lubrificateur soit toujours plein.	Maintenir l'agrafeuse bien graissée.	Remplir d'huile de machine pneumatique Hitachi.
Nettoyer l'élément du filtre — puis souffler de l'air dans le filtre dans le sens inverse du débit normal.	Eviter le colmatage du filtre par la saleté.	Suivre les instructions du fabricant.
Nettoyer le magasin et le mécanisme de l'alimenteur.	Eviter que les agrafes ne se coincent.	Nettoyer en soufflant de l'air tous les jours.
Veiller à ce que le levier-poussoir fonctionne toujours correctement.	Assurer la sécurité de l'opérateur et un fonctionnement efficace de l'agrafeuse.	Nettoyer en soufflant de l'air tous les jours.
Graisser l'agrafeuse après l'utilisation.	Rallonger la durée de service de l'agrafeuse.	Mettre 5 ou 10 gouttes de graisse dans l'agrafeuse.
Purger le compresseur d'air.	Maintenir l'agrafeuse en bon ordre de marche.	Ouvrir le robinet de purge du réservoir du compresseur d'air.

Guide de dépannage de l'opérateur

En suivant le tableau ci-dessous, la plupart des problèmes mineurs pourront être corrigés rapidement et en toute facilité.

Si le problème persiste, contacter un service après-vente Hitachi agréé.

PROBLEME	VERIFICATION	CORRECTION
L'agrafeuse fonctionne, mais les agrafes ne s'enfoncent pas.	Vérifier si une agrafe est coincée.	Dégager l'agrafe coincée page 37.
	L'alimenteur d'agrafes est-il endommagé ?	Remonter l' alimenteur d'agrafes.
	Le ressort à ruban est-il distendu ou endommagé ?	Remplacer le ressort à ruban.
	Vérifier si l'on utilise les bonnes agrafes.	Utiliser uniquement les agrafes recommandées.
Entraînement faible. Cycle lent.	Vérifier la pression d'air.	Augmenter la pression d'air. (Ne pas dépasser 120 psi (8.3 bar 8.5 kgf/cm ²))
	Vérifier la position du dispositif de réglage de profondeur d'agrafage.	Refaire le réglage selon les indications de la page 35 – 36.
	—	Utiliser une hile de machine pneumatique Hitachi.
	La lame d'entraînement est-elle usée ?	Contacteur Hitachi pour remplacement.
	La joint torique du piston est-il usé ou endommagé ?	
Les agrafes s'enfoncement trop profondément.	Vérifier la pression d'air.	Réduire la pression d'air. (Régler sur 70 – 120 psi (4.9 – 8.3 bar 5 – 8.5 kgf/cm ²))
	Vérifier la position du dispositif de réglage de profondeur d'agrafage.	Refaire le réglage selon les indications de la page 35 – 36.
Certaines agrafes sont sautées. Alimentation intermittente.	Vérifier si l'on utilise les bonnes agrafées.	Utiliser uniquement les agrafes recommandées.
	L'alimenteur d'agrafes est-il endommagé ?	Nettoyer et graisser.
	Le ressort à ruban est-il distendu ou endommagé ?	Replacer le ressort à ruban.
	Le joint torique du piston est-il usé ou endommagé ?	Contacteur Hitachi pour le remplacement.
Des agrafes se coincent. Les agrafes eofoncées sont tordues.	Vérifier si l'on utilise les bonnes agrafes.	Utiliser uniquement les grafes recommandées.
	La lame d'entraînement est-elle usée ?	Contacteur Hitachi pour le remplacement.
Les agrafes endoncent bien normalement, mais pas complètement à des vitesses superieures.	Vérifier la diamètre interieur du tuyau d'air.	Utiliser un tuyau d'air plus large.

INFORMACIÓN DE SEGURIDAD IMPORTANTE



Lea y comprenda el significado de las etiquetas de la herramienta y todas las instrucciones de funcionamiento, las precauciones de seguridad y las advertencias de este manual antes de realizar la operación o el mantenimiento de esta grapadora.

La negligencia en la observación de las advertencias puede producir la **MUERTE** o **LESIONES DE GRAVEDAD**.

La mayoría de los accidentes ocurridos al utilizar o mantener esta grapadora se deben a la falta de tener en cuenta las normas de seguridad y precauciones básicas. Los accidentes podrán evitarse en muchos casos dándose cuenta de una situación peligrosa antes de que se produzca, y observando fielmente los procedimientos de seguridad apropiados.

Las precauciones básicas de seguridad se describen en la sección “SEGURIDAD” de este manual, y en las secciones que contienen las instrucciones sobre operación y mantenimiento.

Los riesgos que habrá que eludir para evitar lesiones o el daño de la máquina se identifican mediante “PELIGRO” y “ADVERTENCIA” en la grapadora y en este manual.

No utilice nunca esta grapadora para aplicaciones que no sean las especificadas en este manual.

DEFINICIÓN DE LAS PALABRAS CLAVE

PELIGRO indica una situación inminentemente peligrosa que, si no se evita, puede resultar en lesiones serias o en la muerte.

ADVERTENCIA indica una situación potencialmente peligrosa que, si no se evita, puede resultar en lesiones serias o en la muerte.

PRECAUCIÓN indica una situación potencialmente peligrosa que, si no se evita, puede resultar en lesiones menores, o en el daño de la máquina.

NOTA enfatiza información esencial.

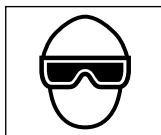
SEGURIDAD

INSTRUCCIONES IMPORTANTES DE SEGURIDAD PARA LA UTILIZACIÓN DE LA GRAPADORA

LEA TODAS LAS INSTRUCCIONES

⚠ PELIGRO

1. LOS OPERADORES Y DEMÁS PERSONAS QUE SE ENCUENTREN EN EL ÁREA DE TRABAJO DEBEN USAR GAFAS PROTECTORAS CON BLINDAJES LATERALES.



Antes de utilizar la grapadora, utilice siempre gafas protectoras con blindajes laterales, y asegúrese de que también sea utilizada por todas las personas que se encuentren en el área de trabajo.

Las gafas protectoras deberán estar de acuerdo con los requisitos del Instituto de Normas Nacionales Americanas, ANSI Z87.1 y proporcionar protección contra las partículas despedidas desde la parte frontal y posterior.

El empresario deberá hacer que el operador de la grapadora y demás personas que se encuentren en el área de trabajo utilicen en todo momento gafas protectoras.

2. NO UTILICE NUNCA OXÍGENO NI OTROS GASES EMBOTELLADOS. PODRÍA PRODUCIRSE UNA EXPLOSIÓN.



No utilice nunca bombonas de oxígeno, gases combustibles, etc. como fuente de propulsión de esta grapadora.

La utilización de estos gases, o de otros gases embotellados, es peligrosa, ya que la grapadora podría explotar.

Utilice solamente aire comprimido limpio, seco, y regulado.

⚠ ADVERTENCIA

3. NO DIRIJA NUNCA LA HERRAMIENTA HACIA SÍ MISMO O HACIA OTRAS PERSONAS DEL ÁREA DE TRABAJO.



Piense siempre que la grapadora puede tener grapas cargadas.

No dirija nunca la grapadora hacia sí mismo o hacia otras personas, independientemente de que contenga o no grapas.

Si utilizase las grapas incorrectamente, podrían producirse lesiones serias.

No juegue nunca con la grapadora.

Trate la grapadora como herramienta de trabajo.

4. PARA EVITAR UN DISPARO ACCIDENTAL, MANTENGA LOS DEDOS ALEJADOS DEL GATILLO DISPARADOR CUANDO NO SE ESTÉ USANDO LA HERRAMIENTA.

No transporte nunca la grapadora con el dedo en el gatillo, porque podría lanzar una grapa y lesionarse usted mismo o a otra persona.

Transporte siempre la grapadora por la empuñadura solamente.

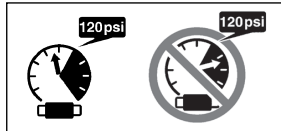
SEGURIDAD — Continuación

⚠ ADVERTENCIA

5. ES IMPORTANTE LA ELECCIÓN DE MÉTODO DE ACTIVACIÓN.

Lea y comprenda la sección titulada "MÉTODOS DE OPERACIÓN". (páginas 53 - 54)

6. NO SOBREPASE 120 psi. (8.3 barías 8.5 kgf/cm²)



No sobrepase nunca la presión de aire máxima recomendada de 120 psi (8.3 barías 8.5 kgf/cm²).

No conecte nunca la grapadora a una presión que pueda sobrepasar potencialmente 200 psi (13.7 barías 14 kgf/cm²) ya que la grapadora podría explotar.

7. UTILICE SIEMPRE PROTECTORES PARA LOS OÍDOS Y LA CABEZA.

Utilice siempre protectores para los oídos contra el ruido fuerte.

Utilice siempre un protector para la cabeza con objetos que puedan salir disparados.

8. GUARDE ADECUADAMENTE LA GRAPADORA.

Cuando no vaya a utilizar la grapadora, guárdela en un lugar seco. Manténgala alejada de los niños. Cierre con llave el lugar de almacenamiento.

9. MANTENGA EL ÁREA DE TRABAJO LIMPIA.

Las áreas desordenadas pueden provocar lesiones. Limpie bien el área de trabajo, apartando herramientas innecesarias, residuos, muebles, etc.

10. NO UTILICE LA GRAPADORA CERCA DE LÍQUIDOS INFLAMABLES NI DE GASES.

La grapadora produce chispas durante la operación.

No utilice nunca la grapadora en lugares en los que haya laca, pintura, bencina, diluidor de pintura, gasolina, gases, productos adhesivos, ni demás materiales combustibles o explosivos.

11. MANTENGA A LOS VISITANTES ALEJADOS.

No permita que los visitantes toquen la grapadora.

Todos los visitantes deberán permanecer alejados del área de trabajo.

12. VÍSTASE ADECUADAMENTE.

No utilice ropa floja ni joyas, ya que podrían pillarse en las partes móviles.

Para trabajar en exteriores se recomienda utilizar guantes de goma y calzado no deslizante.

Si tiene el pelo largo, utilice un protector para recogerse.

13. NO UTILICE NUNCA UN ACOPLADOR SIN DESCARGA CON LA GRAPADORA.

Si utilizase un acoplador sin descarga con la grapadora, ésta podría permanecer cargado con aire después de haberla desconectado y, por lo tanto, disparar una grapa incluso después de haberla desconectado.

La grapadora y la manguera de aire deben contar con un acople de manguera, de manera que se pueda remover toda la presión de la grapadora al desconectar la junta de acoplamiento.

14. COMPRUEBE LA PALANCA DE EMPUJE ANTES DE LA UTILIZACIÓN.

Cerciórese de que la palanca de empuje funcione adecuadamente. (La palanca de empuje puede denominarse "Seguridad".) No utilice nunca la grapadora a menos que la palanca de empuje funcione adecuadamente, ya que de lo contrario la grapadora podría disparar inesperadamente una grapa. No cambie ni quite la palanca de empuje.

SEGURIDAD — Continuación

ADVERTENCIA

- 15. MANTENGA TODOS LOS TORNILLOS Y CUBIERTAS BIEN APRETADAS EN SU LUGAR.**
Mantenga todos los tornillos y cubiertas firmemente apretados. Compruebe periódicamente su condición.
No utilice nunca la grapadora si hay piezas perdidas o dañadas.
- 16. NO CARGUE GRAPAS CON EL GATILLO ACCIONADO NI CON LA PALANCA DE EMPUJE PRESIONADA.**
Cuando cargue grapas en la grapadora, o cuando conecte la manguera de aire,
1) no accione el gatillo;
2) no presione la palanca de empuje; ni
3) mantenga la grapadora apuntado hacia abajo.
- 17. MANTENGA PERMANENTEMENTE LA CARA, LAS MANOS Y LOS PIES ALEJADOS DE LA CABEZA DE DISPARO.**
No acerque nunca su cara, manos o pies a la cabeza de disparo.
- 18. COLOQUE LA GRAPADORA ADECUADAMENTE SOBRE LA PIEZA DE TRABAJO.**
No clave una grapa sobre otra, ni con la grapadora con un ángulo demasiado agudo, ya que las grapas podrían rebotar y herir a alguien.
- 19. TENGA CUIDADO CON EL DOBLE DISPARO DEBIDO AL CULATEO.**
Si la palanca de empuje vuelve a entrar en contacto accidentalmente con la pieza de trabajo, producirá un culateo, y saldrá disparado una grapa inesperada.
Para evitar este doble disparo,
1) no empuje la grapadora contra la pieza de trabajo con excesiva fuerza;
2) aleje completamente la grapadora de la pieza que produzca culateo, y mantenga la palanca de empuje separada de la pieza de trabajo hasta que desee volver a clavar; y
3) apriete y suelte RÁPIDAMENTE el gatillo cuando realice una operación intermitente (disparo del gatillo).
- 20. NO CLAVE EN PANELES FINOS, NI CERCA DE LAS ESQUINAS NI LOS BORDES DE LA PIEZA DE TRABAJO.**
Las grapas podrían atravesar la pieza de trabajo y herir a alguien.
- 21. NO CLAVE NUNCA GRAPAS DESDE AMBOS LADOS DE UNA PARED AL MISMO TIEMPO.**
Las grapas podrían traspasar el panel y lesionar a la persona que se encuentra en el lado opuesto.
- 22. COMPRUEBE SI HAY CABLES ACTIVOS.**
Evite el riesgo de descargas eléctricas comprobando si hay cables activos escondidos en paredes, suelos, o techos. Abra el disyuntor para asegurarse de que no queden cables activos.
- 23. NO TRANSPORTE NUNCA LA GRAPADORA POR EL MORRO.**
- 24. NO SE EXTRALIMITE.**
Mantenga en todo momento un buen equilibrio.
- 25. NO UTILICE NUNCA UNA GRAPADORA DEFECTUOSA O QUE FUNCIONE INCORRECTAMENTE.**
Si la grapadora parece funcionar anormalmente, si produce ruidos extraños, etc., deje de utilizarlo inmediatamente y solicite su reparación a un centro de servicio autorizado por Hitachi.
- 26. NO DESCONECTE LA MANGUERA DE AIRE DE LA GRAPADORA CON UN DEDO PUESTO EN EL GATILLO.**
La grapadora podría disparar una grapa cuando reconectase el suministro de aire.
- 27. DESCONECTE LA MANGUERA DE AIRE DE LA GRAPADORA CUANDO:**
1) realice trabajos de mantenimiento e inspección;
2) cargue los sujetadores;
3) tenga que desatascarla;
4) no vaya a utilizarla;

SEGURIDAD — Continuación

ADVERTENCIA

- 5) abandone el área de trabajo;
6) la traslade a otro lugar; y
7) vaya a entregársela a otra persona.
No intente nunca desatascar ni reparar la grapadora sin haber desconectado primero la manguera de aire de la misma, y sin haberle quitado todas las grapas. No deje nunca la grapadora desatendida, porque personas no familiarizadas con ella podrían utilizarla y sufrir lesiones.
- 28. PERMANEZCA ALERTA.**
Tenga en cuenta lo que esté haciendo. Utilice el sentido común. No utilice la grapadora cuando esté cansado. No utilice nunca la grapadora si se encuentra bajo la influencia del alcohol, drogas, o medicinas que le produzcan somnolencia.
- 29. MANEJE CORRECTAMENTE LA GRAPADORA.**
Maneje la grapadora de acuerdo con las instrucciones de este manual. No permita nunca que los niños, personas no familiarizadas o no autorizadas, toquen la grapadora.
- 30. NO UTILICE NUNCA LA GRAPADORA PARA APLICACIONES QUE NO SEAN LAS ESPECIFICADAS EN ESTE MANUAL.**
- 31. MANEJE LA GRAPADORA CON CUIDADO.**
Debido a la alta presión de aire de la grapadora, las rajadas en su superficie pueden resultar peligrosas. Para evitar esto, no deje caer la grapadora ni la golpee contra superficies duras, y no grabe nada en la misma. Maneje cuidadosamente la grapadora.
- 32. MANTENGA LA GRAPADORA CON CUIDADO.**
Mantenga la grapadora limpia y lubricada para que rinda al máximo y con la mayor seguridad.
- 33. UTILICE SOLAMENTE LAS PIEZAS, ACCESORIOS, Y GRAPAS QUE SUMINISTRE O RECOMIENDE HITACHI.**
Las piezas, accesorios, o grapas no autorizados pueden anular la garantía y provocar el mal funcionamiento, lo que podría resultar en lesiones. La grapadora solamente deberá ser reparada por Hitachi, un distribuidor, o el empresario.
- 34. NO MODIFIQUE NI ALTERE NUNCA LA GRAPADORA.**
Si lo hiciese podría funcionar mal y provocar lesiones.

RESPONSABILIDADES DEL EMPRESARIO

1. Asegúrese de que este MANUAL esté al alcance de los operadores y del personal de mantenimiento.
2. Asegúrese de que la grapadora se utilice solamente cuando el operador y demás personas que se encuentren en el área de trabajo estén utilizando GAFAS PROTECTORAS PARA LOS OJOS.
3. Recalque que el operador y las demás personas que se encuentren en el área de trabajo necesitan utilizar GAFAS PROTECTORAS PARA LOS OJOS.
4. Mantenga la grapadora en un orden de funcionamiento seguro.
5. Mantenga adecuadamente la grapadora.
6. Si una grapadora necesita reparación, no la utilice.

**¡GUARDE ESTE MANUAL
AL ALCANCE DE LOS DEMÁS OPERADORES!**

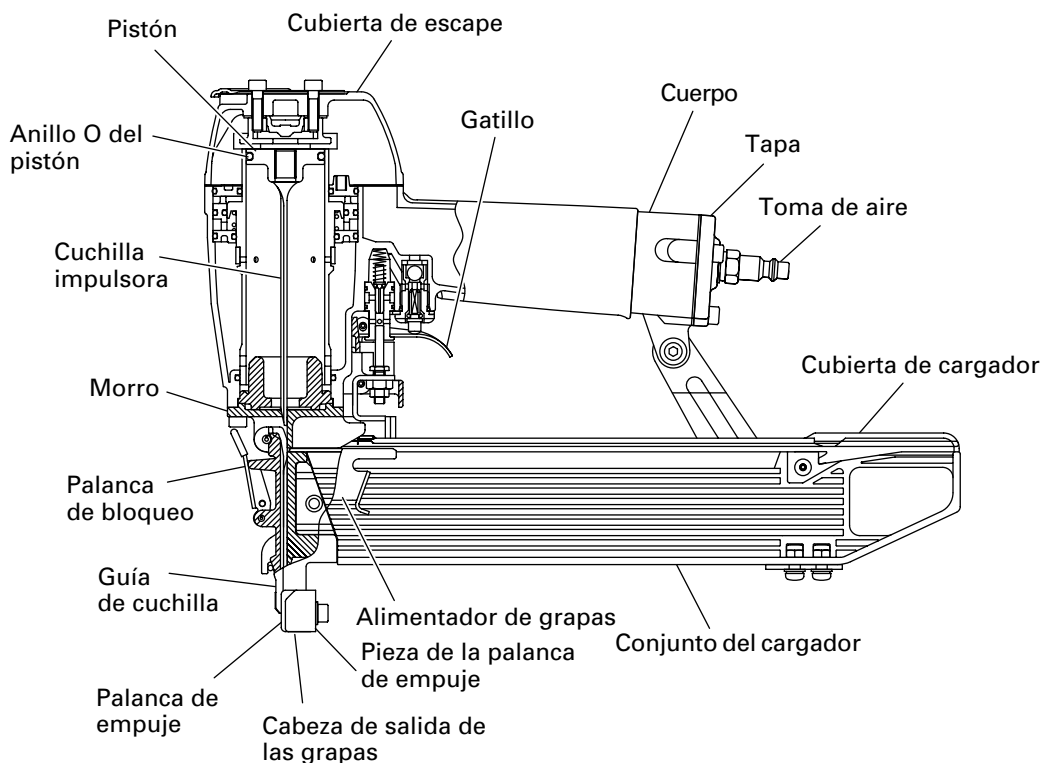
OPERACIÓN

NOTA:

La información contenida en este manual ha sido diseñada para ayudarle a utilizar con seguridad esta grapadora.

Algunas de las ilustraciones de este manual pueden mostrar detalles o accesorios diferentes a los de su propia grapadora.

NOMENCLATURA



ESPECIFICACIONES

Presión de operación	70 – 120 psi (4.9 – 8.3 barías 5 – 8.5 kgf/cm ²)
Dimensiones Longitud × Altura × Anchura	14-3/8" × 10-5/32" × 3" (365 mm × 258 mm × 76 mm)
Peso	4.4 libras (2.0 kg)
Capacidad de la grapadora	150 grapas
Consumo de aire	.040 pies ³ /ciclo a 100 psi (1.1 litros/ciclo a 6.9 barías) (1.1 litros/ciclo a 7 kgf/cm ²)

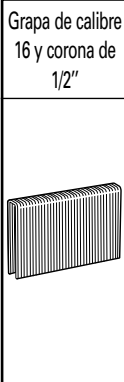
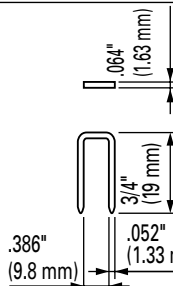
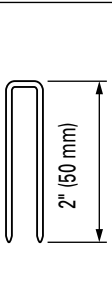
SELECCIÓN DE GRAPAS

⚠ ADVERTENCIA

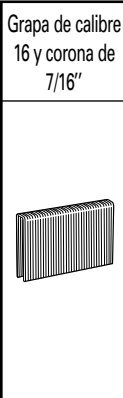
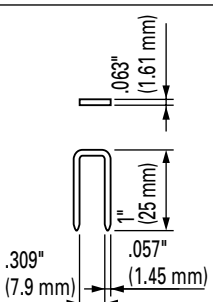
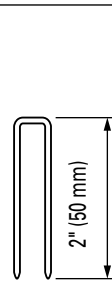
- Asegúrese de usar únicamente grapas legítimas HITACHI para el N5008AC2, N5010A. El uso de otras grapas puede producir un fallo de funcionamiento de la herramienta y/o la rotura del grapa, lo que provocaría a su vez lesiones de gravedad.

Con esta grapadora solamente podrán utilizarse las grapas indicadas en la tabla siguiente.

Dimensiones de las grapas para N5010A

Grapa de calibre 16 y corona de 1/2"	Min.	Máx.
		

Dimensiones de las grapas para N5008AC2

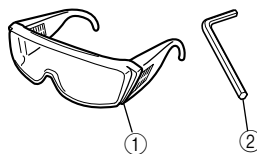
Grapa de calibre 16 y corona de 7/16"	Min.	Máx.
		

ACCESORIOS

⚠ ADVERTENCIA

- Los accesorios que no sean los mostrados a continuación pueden provocar el mal funcionamiento de la grapadora y resultar en lesiones.

ACCESORIOS ESTÁNDAR



① Gafas protectoras para los ojos	1
② Llave Allen para tornillos M5	1

ACCESORIOS OPCIONALES

- ... vendido aparte
- Mecanismo de disparo por contacto (Disparo con rebote)
(Núm. de código 876762)
 - Lubricante para herramientas neumáticas
Aceitador de 1 onzas (30 cc)
(Núm. de código 877153)
Aceitador de 4 onzas (120 cc)
(Núm. de código 874042)
Lata de 1 cuarto de galón (1 litro)
(Núm. de código 876212)

NOTA: Los accesorios están sujetos a cambio sin ninguna obligación por parte de HITACHI.

APLICACIONES

- Trabajo de construcción, como forrado de paredes, y colocación de plataformas para techos y pisos.
- Construcción de casas móviles y modulares.
- Fabricación de cajas de madera y bandejas de carga extensibles.

ANTES DE LA OPERACIÓN

Lea la sección titulada "SEGURIDAD" (páginas 42 – 45).

Antes de la utilización, cerciórese de lo siguiente.

ENTORNO DE TRABAJO

⚠ ADVERTENCIA

- En el lugar de trabajo no deberá haber gases, líquidos, ni demás objetos inflamables.
- No permita que en el área de trabajo haya niños ni demás personas no autorizadas.

SUMINISTRO DE AIRE

⚠ PELIGRO



- No utilice NUNCA oxígeno ni otros gases embotellados. Podría producirse una explosión.

⚠ ADVERTENCIA

- No conecte nunca la grapadora a una presión que pueda sobrepasar potencialmente 200 psi (13.7 barías 14 kgf/cm²).
- No utilice nunca un acoplador sin descarga con la grapadora.

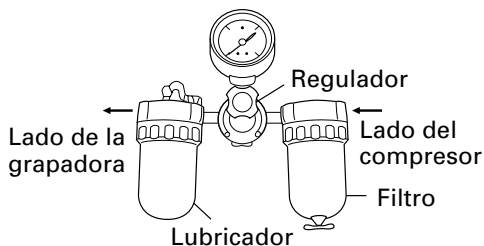
1. Fuente de propulsión
 - Utilice solamente aire comprimido limpio, seco, y regulado como fuente de propulsión para esta grapadora.
 - Los compresores de aire para suministrar aire comprimido a esta grapadora deberán cumplir los requisitos de la última versión de la norma B 19.3 ANSI "Normas de Seguridad para Compresores para Industrias de Procesos".
 - La humedad o el aceite en el compresor de aire puede acelerar el desgaste y la corrosión de la grapadora. Drénela diariamente.
 2. Filtro-Regulador-Lubricador
 - Utilice un regulador con una presión de 0 – 120 psi (0 – 8.3 barías 0 – 8.5 kgf/cm²)
 - Las unidades de filtro-regulador-lubricador ofrecen la condición óptima para la grapadora y prolongan su duración útil. Estas unidades deberán utilizarse siempre.
- Filtro..... El filtro elimina la humedad y la suciedad del aire comprimido. Drene diariamente la grapadora a menos que tenga instalado un dispositivo de drenado automático.

Mantenga limpio el filtro realizando regularmente su mantenimiento.

Regulador El regulador controla la presión de operación para poder utilizar con seguridad la grapadora. Inspeccione el regulador antes de la operación a fin de asegurarse de que funcione adecuadamente.

Lubricador El lubricador rocía aceite a la grapadora. Inspeccione el lubricador antes de utilizarlo para comprobar si el suministro de lubricante es adecuado.

Utilice lubricante para herramientas neumáticas Hitachi.



3. **Manguera de aire**
La manguera de aire deberá poder resistir una presión mínima de 150 psi (10.4 barías 10.6 kgf/cm²) o el 150% de la presión máxima producida en el sistema, el valor más alto que sea.
4. **Consumo de aire**
Utilizando la tabla de consumo de aire y la fórmula de tamaño del compresor de aire, busque el tamaño de compresor correcto.

Tabla de consumo de aire

Presión de operación	psi (barías) (kgf/cm ²)	80 (5.5) (5.6)	90 (6.2) (6.3)	100 (6.9) (7)
Consumo de aire	pies ³ /ciclo (litros/ciclo)	.028 (.8)	.032 (.9)	.039 (1.1)

Fórmula de tamaño del compresor

$$\begin{aligned} &\text{Cantidad de aire requerida} \\ &= \text{número de grapadoras} \\ &\quad \times \text{promedio de grapas clavadas cada} \\ &\quad \text{minuto por grapadora} \\ &\quad \times \text{consumo de aire a la presión dada} \\ &\quad \times \text{factor de seguridad (siempre 1.2)} \end{aligned}$$

Ejemplo: 3 grapadoras (N5010A) funcionando a 100 psi para clavar 30 grapas por minuto

$$\begin{aligned} &\text{Cantidad de aire requerida} \\ &= 3 \times 30 \times .039 (1.1) \times 1.2 \\ &= 4.2 \text{ CFM (pies}^3\text{/min) (119 litros/min)} \end{aligned}$$

Después de haber realizado los cálculos indicados arriba, tendrá que buscar un compresor que proporcione 4.2 CFM de aire, que es el valor requerido.

LUBRICACIÓN

Es muy importante que la grapadora esté adecuadamente lubricada. Sin la lubricación apropiada, la grapadora no trabajará correctamente y las piezas se desgastarán prematuramente.

- Utilice lubricante para herramientas neumáticas Hitachi.
- No utilice aceite detergente ni aditivos. Estos lubricantes dañarían las juntas tóricas y demás piezas de caucho. Esto haría que la grapadora funcionase mal.
- Habrá que utilizar siempre unidades de filtro-regulador-lubricador.
- Mantenga el lubricador lleno con lubricante para herramientas neumáticas Hitachi.
- Si no dispone de lubricador, aplique 5 – 10 gotas de lubricante para herramientas neumáticas Hitachi a la entrada de aire de la grapadora dos veces al día.

CUIDADOS PARA CLIMAS FRÍOS

- No guarde la grapadora en lugares fríos. Déjelo en un lugar cálido antes de comenzar a trabajar.
- Si la grapadora está fría, póngala en un lugar cálido y deje que se caliente antes de utilizarla.
 - ① Reduzca la presión de aire a 64 psi (4.4 barías 4.5 kgf/cm²).
 - ② Quite todas las grapas de la grapadora.

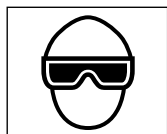
- ③ Conecte la manguera de aire y dispare (disparo en vacío) la grapadora.
La reducción de la presión de aire será suficiente para disparar en vacío la grapadora.
La operación a baja velocidad tiende a calentar las partes móviles.

⚠ PRECAUCIÓN

- No dispare en vacío la grapadora a alta presión.

PRUEBA DE LA GRAPADORA

⚠ PELIGRO



- Los operadores y demás personas que se encuentren en el área de trabajo **DEBEN** usar gafas protectoras con blindajes laterales que cumplan con las especificaciones ANSI Z87.1.

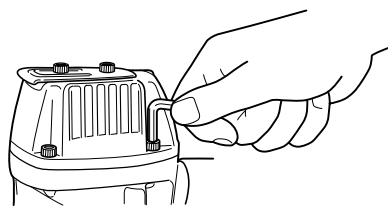
⚠ ADVERTENCIA

- No utilice nunca la grapadora a menos que la palanca de empuje funcione adecuadamente.

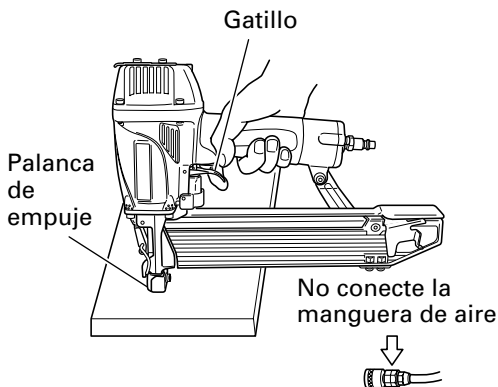
Antes de comenzar el trabajo, pruebe la grapadora utilizando la lista de comprobaciones siguiente. Realice las comprobaciones en el orden indicado. Si se produce alguna operación anormal, deje de utilizar la grapadora y póngase inmediatamente en contacto con un centro de reparaciones autorizado por Hitachi.

- (1) **DESCONECTE LA MANGUERA DE AIRE DE LA GRAPADORA. quite todas las grapas de la grapadora.**

- **TODOS LOS TORNILLOS DEBERÁN ESTAR BIEN APRETADOS.**
Si hay algún tornillo flojo, apriételo.



- **LA PALANCA DE EMPUJE Y EL GATILLO DEBERÁN PODER ACCIONARSE SIN DIFICULTAD.**



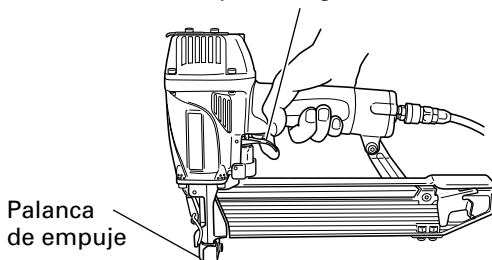
- (2) **Ajuste la presión del aire a 70 psi (4.9 barías 5 kgf/cm²).**
Conecte la manguera de aire.
No cargue grapas en la grapadora.

- **LA GRAPADORA NO DEBERÁ TENER FUGAS DE AIRE.**

Sujete la grapadora hacia abajo y apriete el gatillo.

- **LA GRAPADORA NO DEBERÁ FUNCIONAR.**

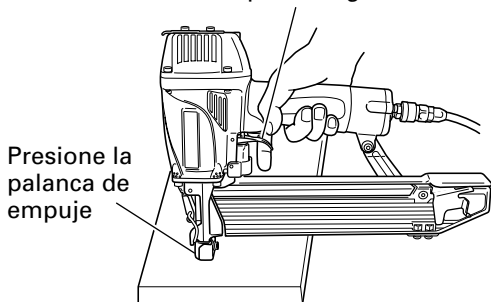
Apriete el gatillo



- (3) Con el dedo en el gatillo, presione la palanca de empuje contra la pieza de trabajo.

LA GRAPADORA NO DEBERÁ FUNCIONAR.

No apriete el gatillo



- (4) Sin tocar el gatillo, presione la palanca de empuje contra la pieza de trabajo. Apriete el gatillo.

LA GRAPADORA DEBERÁ FUNCIONAR.

- (5) Con la grapadora fuera de la pieza de trabajo, usted podrá cargar grapas en la misma. Inserte las grapas en la pieza de trabajo adecuadas a la aplicación.

LA GRAPADORA DEBERÁ FUNCIONAR.

- (6) Si no observa nada anormal, cargue grapas en la grapadora. Clave en la pieza de trabajo las mismas grapas que vaya a utilizar en la aplicación real.

LA GRAPADORA DEBERÁ FUNCIONAR ADECUADAMENTE.

AJUSTE DE LA PRESIÓN DE AIRE

⚠ ADVERTENCIA



- **No sobrepase 120 psi (8.3 barías 8.5 kgf/cm²).**

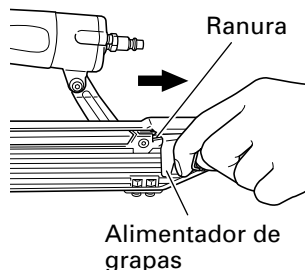
Ajuste la presión del aire al valor recomendado, 70 – 120 psi (4.9 – 8.3 barías 5 – 8.5 kgf/cm²) de acuerdo con la longitud de las grapas y la dureza de la pieza de trabajo. La presión de aire correcta es la más baja con la que pueda realizarse el trabajo. La utilización de la grapadora con una presión de aire más alta de la requerida lo forzarán innecesariamente.

CARGA DE GRAPAS

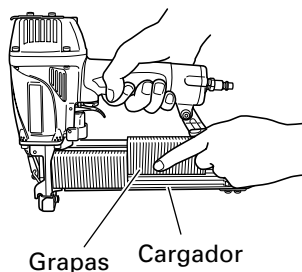
⚠ ADVERTENCIA

- **Cuando cargue las grapas en la grapadora,**
 - 1) no apriete el gatillo;**
 - 2) no apriete la palanca de empuje; y**
 - 3) mantenga la grapadora apuntando hacia abajo.**

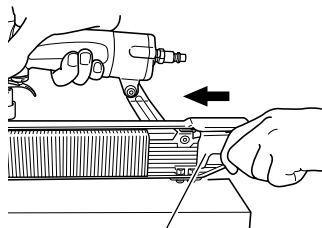
- (1) Tire del alimentador de grapas hacia atrás y fíjelo firmemente a la ranura del cargador.



- (2) Coloque la tira de grapas sobre el cargador. Asegúrese de que la tira de grapas se deslice libremente sobre el cargador.



- (3) Tire del alimentador de grapas hacia atrás. Luego, sepárelo de la ranura del cargador y regrese suavemente el alimentador de grapas como si lo estuviera empujando levemente, evitando cualquier posible impacto.



Alimentador de grapas

La grapadora habrá quedado lista ahora para poder utilizarse.

⚠ PRECAUCIÓN

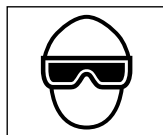
Si libera repentinamente el alimentador de grapas, podrá retornar con brusquedad, provocando deformación y/o dispersión, y eventualmente, el bloqueo de las grapas.

Asegúrese de regresar el alimentador de grapas con suavidad, evitando cualquier posible impacto.

OPERACIÓN DE LA GRAPADORA

Lea la sección titulada “SEGURIDAD” (páginas 42 – 45).

⚠ PELIGRO



- Los operadores y demás personas que se encuentren en el área de trabajo **DEBEN** usar gafas protectoras con blindajes laterales que cumplan con las especificaciones ANSI Z87.1.

⚠ ADVERTENCIA



- No dirija **NUNCA** la herramienta hacia sí mismo o hacia otras personas del área de trabajo.
- Para evitar un disparo accidental, mantenga los dedos **ALEJADOS** del gatillo disparador cuando no se esté usando la herramienta.
- Es importante la elección de método de activación.
Por favor lea y comprenda la sección “MÉTODOS DE OPERACIÓN” a continuación.
- No acerque su cara, manos ni pies a la cabeza de disparo durante el uso.
- No clave una grapa sobre otra, ni con la grapadora con un ángulo demasiado agudo, ya que las grapas podrían rebotar y herir a alguien.
- Para evitar el doble disparo o la expulsión inesperado de un clavo debido al rebote de la grapadora.
 - 1) no empuje la grapadora con demasiada fuerza contra la pieza de trabajo;
 - 2) separe la grapadora de la pieza de trabajo utilizando el coletazo;
 - 3) suelte el gatillo rápidamente después del disparo.
- No clave grapas en paneles finos ni cerca de esquinas ni bordes de la pieza de trabajo. Las grapas podrían traspasar la pieza de trabajo y lesionar a alguien.
- No clave nunca grapas desde ambos lados de una pared al mismo tiempo. Las grapas podrían traspasar la pared y lesionar a la persona de la otra parte.
- No utilice nunca una grapadora defectuosa o que funcione anormalmente.
- No utilice la grapadora a modo de martillo.
- Desconecte la manguera de aire de la grapadora cuando:
 - 1) ajuste de la pieza de palanca;
 - 2) no vaya a utilizarla;
 - 3) vaya a abandonar el área de trabajo;
 - 4) vaya a trasladarse a otro lugar; y
 - 5) vaya a entregársela a otra persona.

Esta grapadora Hitachi posee un MECANISMO DE DISPARO POR CONTACTO ESTÁNDAR (Disparo con rebote). También existe un juego de MECANISMO DE DISPARO SECUENCIAL OPCIONAL (DISPARO ÚNICO), con número de pieza de pedido 876762.

EL MECANISMO DE DISPARO POR CONTACTO ESTÁNDAR (Disparo con rebote) es para utilizarse cuando se desee clavar rápidamente clavos y haya que seguir los "Métodos de operación".

MÉTODOS DE OPERACIÓN

Esta grapadora está equipada con una palanca de empuje, y no funcionará a menos que ésta esté presionada (posición hacia arriba).

Existen dos métodos de operación para clavar grapas con esta grapadora.

Estos métodos son:

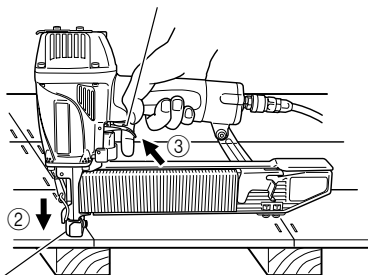
1. Operación intermitente (Disparo con el gatillo):
2. Operación continua (Disparo con la palanca de empuje):

(1) Operación intermitente (Disparo con el gatillo)

- ① Coloque la salida de las grapas sobre la pieza de trabajo con el dedo fuera del gatillo.
- ② Presione a fondo la palanca de empuje.
- ③ Apriete el gatillo para clavar la grapa.
- ④ Separe el dedo del gatillo.

Para clavar otra grapa, mueva la grapadora hasta la posición siguiente de la pieza de trabajo y repita este procedimiento.

Gatillo



Palanca de empuje

(2) Operación continua (Disparo con la palanca de empuje)

⚠ ADVERTENCIA

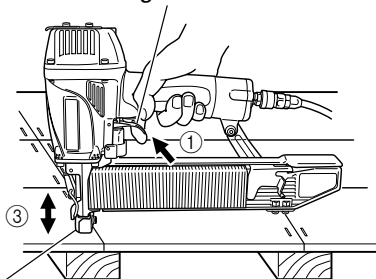
- Para evitar el doble disparo o el disparo accidental debido a la reculada.

- 1) No presione la grapadora contra la pieza de trabajo con fuerza excesiva.
- 2) Separe la grapadora de la pieza de trabajo mientras la repliega.

- ① Apriete el gatillo con la grapadora fuera de la pieza de trabajo.
- ② Presione la palanca de empuje contra la pieza de trabajo para clavar una grapa.
- ③ Desplace la grapadora por la pieza de trabajo con un movimiento de rebote. Con cada presión de la palanca de empuje se clavará una grapa.

Después de haber clavado las grapas necesarias, separe el dedo del gatillo.

Apriete primero el gatillo



Palanca de empuje

⚠ ADVERTENCIA

- Mantenga el dedo separado del gatillo excepto durante la operación, porque esto podría resultar en lesiones si la palanca de presión entrase en contacto con su cuerpo o con el de otras personas del área de trabajo.
- Mantenga las manos y el cuerpo alejados del área de descarga. La grapadora con mecanismo de disparo por contacto puede rebotar de un clavo ya clavado y clavar otra no deseada, provocando posiblemente lesión.

- Algunos tipos de grapas cargadas pueden echar chispas a través de la boca durante la operación de clavado. ¡Tenga cuidado!

EL MECANISMO DE DISPARO SECUENCIAL OPCIONAL (PIEZAS DE DISPARO ÚNICO) es para clavar clavos con precisión y deberá utilizarse de acuerdo con el “Método de operación” siguiente.

Usted tendrá que presionar en primer lugar la palanca de empuje (posición superior) cuando desee introducir una grapa, y apriete el gatillo. Después de haber introducido cada grapa, suelte completamente el gatillo y levante la herramienta de la superficie de trabajo. El MECANISMO DE DISPARO SECUENCIAL OPCIONAL puede reducir la posibilidad de lesiones tanto personales como de otras personas del área de trabajo. Esto se debe a que es menos probable que pueda introducir grapas si mantiene el disparador apretado y golpea accidentalmente la palanca de empuje contra su cuerpo o el de otras personas. El MECANISMO DE DISPARO SECUENCIAL OPCIONAL puede reducir también la velocidad de operación en comparación con el mecanismo de disparo por contacto estándar.

NOTA:

- Tanto el MECANISMO DE DISPARO POR CONTACTO ESTÁNDAR como el MECANISMO DE DISPARO SECUENCIAL OPCIONAL serán seguros si se utilizan como se ha descrito y de acuerdo con todas las advertencias e instrucciones.
- Maneje con cuidado el paquete de grapas. Si las grapas se cayesen, el adhesivo de la ristra podría romperse.
- Después de haber clavado grapas:
 - 1) desconecte la manguera de aire de la grapadora;
 - 2) extraiga todas las grapas de la grapadora;
 - 3) aplique 5 – 10 gotas de lubricante para herramientas neumáticas Hitachi a la entrada de aire de la grapadora; y
 - 4) abra la llave de escape del depósito del compresor de aire para drenar la humedad que pueda existir.

AJUSTE DE LA PROFUNDIDAD DE GRAPADORA

⚠ ADVERTENCIA

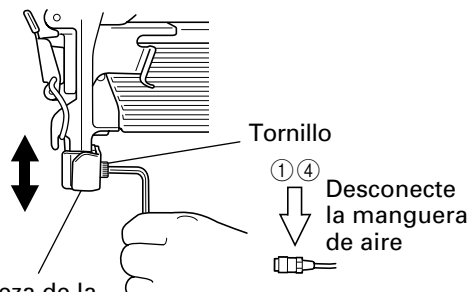
- Al efectuar el ajuste del ajustador, asegúrese de retirar su dedo del disparador y de desconectar la manguera de aire del grapadora.

Para asegurar que cada grapa penetre con la misma profundidad, cerciórese de que:

- 1) la presión de aire suministrada a la grapadora permanezca constante (regulador instalado y trabajando adecuadamente), y
- 2) esté sujetando firmemente la grapadora contra la pieza de trabajo.

Si las grapas penetran demasiado o demasiado poco en la pieza de trabajo, realice el ajuste en el orden siguiente.

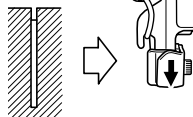
- ① DESCONECTE LA MANGUERA DE AIRE DE LA GRAPADORA.



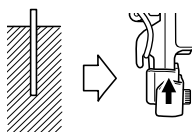
Pieza de la palanca de empuje

- ② Para ajustar la profundidad de penetración de la grapa, afloje el tornillo que asegura a la pieza de la palanca de empuje. Para introducir la grapa profundamente, ajuste la pieza de la palanca de empuje a “down” (abajo), y para introducirla superficialmente, ajuste a “up” (arriba).

Demasiada
profundidad



Poca
profundidad



- ③ Apriete el tornillo que sujeta a la pieza de la palanca de ajuste cuando se alcance la posición adecuada para una prueba de grapado.
- ④ Conecte la manguera de aire.
UTILICE SIEMPRE GAFAS PROTECTORAS PARA LOS OJOS.
Realice una prueba de grapado.
- ⑤ DESCONECTE LA MANGUERA DE AIRE DE LA GRAPADORA.
- ⑥ Elija la posición adecuada para el ajustador.

MANTENIMIENTO

NOTA:

La información contenida en este manual ha sido diseñada para ayudarle a mantener con seguridad esta grapadora.

Algunas ilustraciones de este manual pueden mostrar detalles o dispositivos diferentes a los de su propia grapadora.

MANTENIMIENTO E INSPECCIÓN

Lea la sección titulada "SEGURIDAD" (páginas 42 – 45).

⚠ ADVERTENCIA

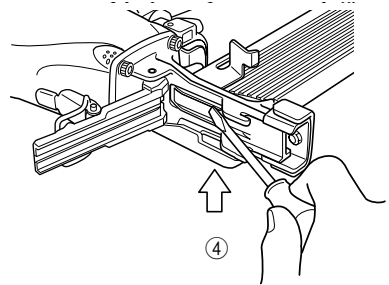
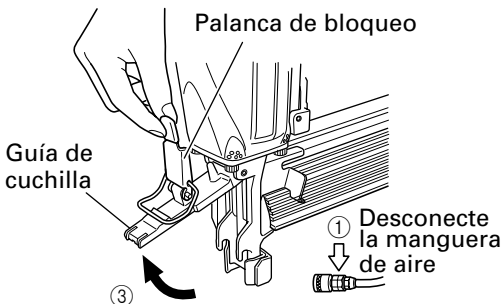
- **Desconecte la manguera y extraiga todas las grapas de la grapadora antes de:**

- 1) realizar trabajos de mantenimiento e inspección; y
- 2) desatascar la grapadora.

1. Desatasco de una grapa

Quite la grapa atascada en el orden siguiente:

- ① DESCONECTE LA MANGUERA DE AIRE.
- ② Quite todas las grapas.
- ③ Suelte la palanca de bloqueo y abra la guía de la cuchilla.
- ④ Extraiga la grapa atascada con un destornillador de punta plana.
- ⑤ Cierre la guía de la cuchilla y guía de la cuchilla y el enganche.
- ⑥ En caso de atasco frecuente, póngase en contacto con un centro de reparaciones autorizado por Hitachi.



2. Almacenamiento

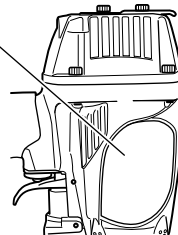
- Cuando no vaya a utilizar la grapadora durante mucho tiempo, aplique una capa fina de lubricante a las piezas de acero para evitar que se oxiden.
- No guarde la grapadora en un lugar frío. Guarde la grapadora en un lugar cálido.
- Cuando no vaya a utilizar la grapadora, deberá guardarla en un lugar cálido y seco.

Mantenga la grapadora fuera del alcance de los niños.

3. ETIQUETA DE PRECAUCIÓN

Si la ETIQUETA DE PRECAUCIÓN se pierde o daña, cámbiela por otra. Solicite la nueva ETIQUETA DE PRECAUCIÓN a un centro de reparaciones autorizado por Hitachi.

Etiqueta de precaución



4. Tabla de mantenimiento (Consulte la página 58)
5. Solución de problemas por parte del operador (Consulte la página 58 – 59)
6. Lista de repuestos
 - A: N°. ítem
 - B: N°. código
 - C: N°. usado
 - D: Observaciones

PRECAUCIÓN

- **La reparación, modificación e inspección de las herramientas eléctricas Hitachi deben ser realizadas por un Centro de Servicio Autorizado de Hitachi. Esta lista de repuestos será de utilidad si es presentada junto con la herramienta al Centro de Servicio Autorizado de Hitachi para solicitar la reparación o cualquier otro tipo de mantenimiento. En el manejo y el mantenimiento de las herramientas eléctricas, se deberán observar las normas y reglamentos vigentes en cada país.**

MODIFICACIONES:

Hitachi Power Tools introduce constantemente mejoras y modificaciones para incorporar los últimos avances tecnológicos.

Por consiguiente, algunas partes (por ejemplo, números de códigos y/o diseño) pueden ser modificadas sin previo aviso.

SERVICIO Y REPARACIONES

ADVERTENCIA

- **Esta grapadora solamente deberá repararla personal entrenado por Hitachi, un distribuidor, o el empresario.**
- **Para la reparación, utilice solamente las piezas suministradas o recomendadas por Hitachi.**

Todas las grapadoras de calidad requerirán el servicio de mantenimiento o de reemplazo de piezas debido al desgaste con la utilización normal.

NOTA:

Las especificaciones están sujetas a cambio sin previo aviso sin ninguna obligación por parte de HITACHI.

Tabla de mantenimiento

ACCIÓN	PARA	CÓMO
Drenaje diario del filtro de la línea de aire.	Evitar la acumulación de humedad y suciedad.	Abra la llave de escape manual.
Mantenimiento del lubricador lleno.	Mantener la grapadora lubricada.	Rellene con lubricante para herramientas neumáticas Hitachi.
Limpieza del elemento del filtro y soplado de aire a través del mismo en sentido opuesto al normal de flujo del aire.	Evitar que el filtro se atasque con suciedad.	Siga las instrucciones del fabricante.
Limpie el cargador y el mecanismo del alimentador.	Evitar atascos.	Sople diariamente.
Mantenimiento de la palanca de empuje en perfectas condiciones.	Garantizar la seguridad del operador y la operación eficaz de la grapadora.	Sople diariamente.
Lubricación de la grapadora después de haberla utilizada.	Prolongar la duración de la grapadora.	Aplique 5 – 10 gotas de lubricante a la grapadora.
Drenaje del compresor de aire.	Mantener la grapadora en buenas condiciones de operación.	Abra la llave de llave de escape.

Solución de problemas por parte del operador

La mayoría de los problemas sin importancia podrán resolverse fácilmente utilizando la tabla siguiente.

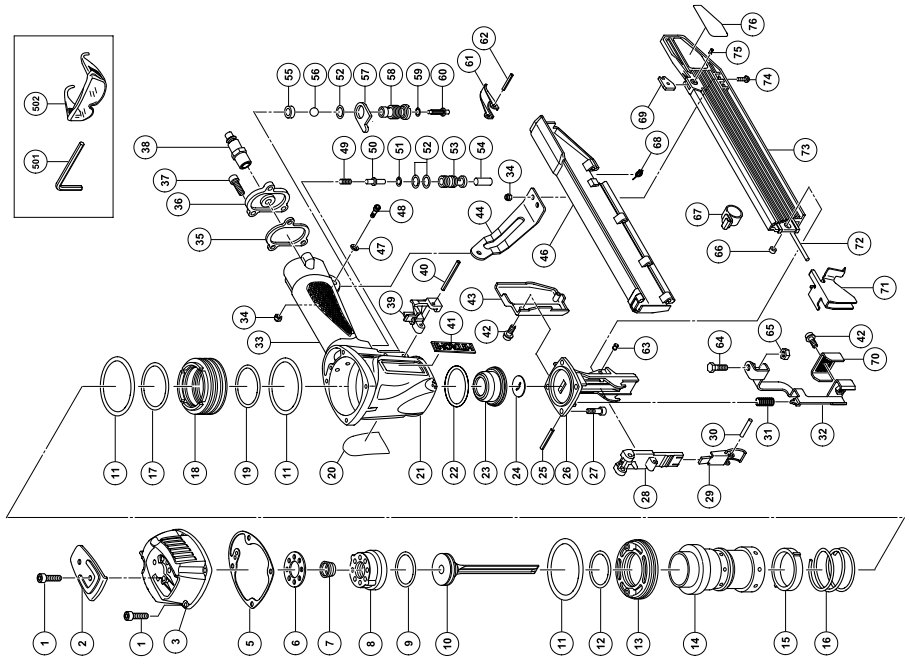
Si el problema persiste, póngase en contacto con un centro de reparaciones autorizado por Hitachi.

PROBLEMA	MÉTHODO DE COMPROBACIÓN	SOLUCIÓN
La grapadora funciona pero las grapas no se introducen.	Compruebe si está atascado.	Desatasque como se indica en la página 56.
	¿Está dañado el alimentador de grapas?	Reemplace el alimentador de grapas.
	¿Está flojo o dañado el resorte de cinta?	Reemplácelo.
	Compruebe si las grapas son las apropiadas.	Utilice solamente las grapas recomendadas.
Poca fuerza. Reciclado lento.	Compruebe la presión de aire.	Aumente la presión de aire. (No sobrepase 120 psi (8.3 barías, 8.5 kgf/cm ²))
	Controle la posición del ajustador de profundidad de engrapado.	Reajuste de acuerdo a la página 54 – 55.
	—————	Utilice lubricante para neumáticos Hitachi.
	¿Está gastada la cuchilla impulsora?	Solicite otra de reemplazo a Hitachi.
	¿Está desgastada o dañada la junta tórica del pusón?	

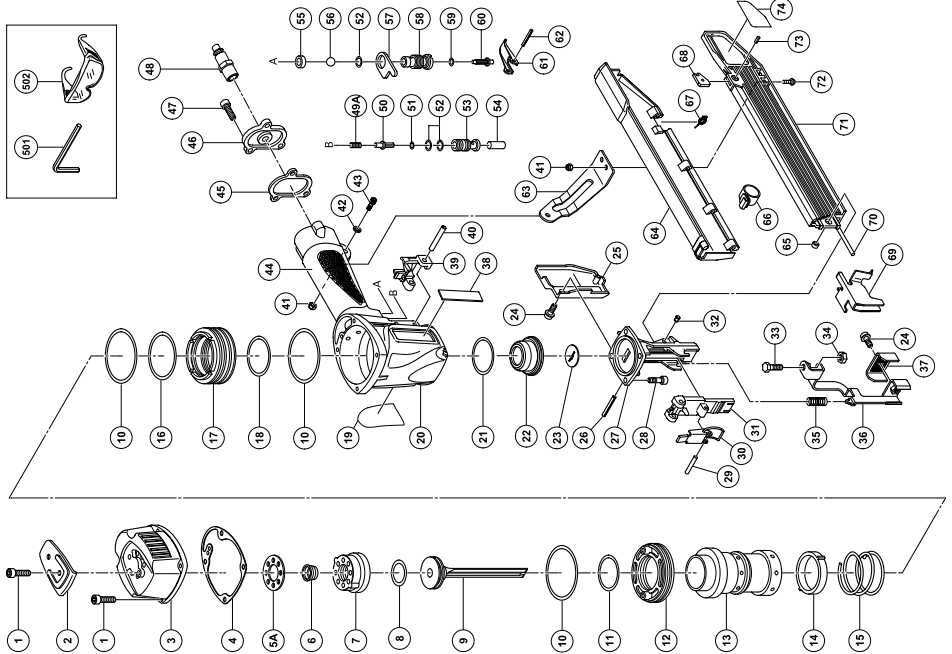
PROBLEMA	MÉTODO DE COMPROBACIÓN	SOLUCIÓN
Las grapas penetran demasiado.	Compruebe la presión de aire.	Reduzca la presión de aire. (Adjústela a 70 – 120 psi (4.9 – 8.3 barías, 5 – 8.5 kgf/cm ²))
	Controle la posición del ajustador de profundidad de engrapado.	Reajuste de acuerdo a la página 54 – 55.
Salto de grapas. Alimentación intermitente.	Compruebe si las grapas las apropiadas.	Utilice solamente las grapas recomendadas.
	¿Está dañado el alimentador de grapas?	Reemplace el alimentador de grapas.
	¿Está flojo o dañado el resorte de cinta?	Reemplácelo.
	¿Está desgastada o dañada la junta tórica del pistón?	Póngase en contacto con Hitachi para reemplazarlo.
Grapas atascadas. Las grapas se clavan dobladas.	Compruebe si las grapas son las apropiadas.	Utilice solamente las grapas recomendadas.
	¿Está gastada la cuchilla impulsora?	Póngase en contacto con Hitachi para reemplazarlo.
El funcionamiento es normal, pero no es posible grapar a gran velocidad.	Compruebe el diámetro interior de la manguera de aire.	Utilice otra manguera de aire de mayor diámetro.

N5008AC2

A	B	C	D	A	B	C	D
1	949757	6	M5 × 20	41	886342	1	
2	876179	1		42	878540	2	M5 × 8
3	886444	1		43	883724	1	
5	883892	1		44	883723	1	
6	886466	1		46	883718	1	
7	878539	1		47	876205	1	M5 × 18
8	878026	1		48	949658	1	
9	876174	1		49	886725	1	
10	883716	1		50	878542	1	
11	885793	3	I.D. 64.5	51	877705	1	
12	877126	1		52	875638	3	S-12
13	876168	1		53	877880	1	
14	885792	1		54	877882	1	
15	876167	1		55	878734	1	D7.14
16	876172	1		56	875645	1	
17	877123	1		57	875644	1	
18	877122	1		58	877335	1	
19	877124	1		59	874820	1	
20		1		60	878121	1	
21	886443	1	"33"	61	876203	1	D3 × 30
22	877125	1		62	949866	1	
23	886434	1		63	881044	1	
24	883712	1		64	875650	1	M5
25	949547	1	D4 × 36	65	949555	1	
26	886717	1		66	881045	1	
27	878181	4	M5 × 16	67	881047	1	
28	886718	1		68	881043	1	
29	886441	1		69	881039	1	
30	949685	1	D3 × 20	70	883715	1	
31	877873	1		71	886724	1	"69, 75"
32	883714	1		72	883719	1	M5 × 14
33		1		73	883717	1	D3 × 6
34	877371	3	M5	74	678653	2	
35	886719	1		75	881040	1	4MM
36	885795	1	M5 × 16	76	944458	1	
37	949821	3		501	875769	1	
38		1		502			
39	884356	1	D3 × 45				
40	884025	1					

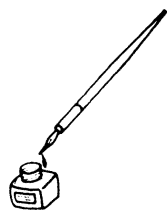


N5010A



A	B	C	D	A	B	C	D
1	949757	6	M5 × 20	41	877371	3	M5
2	876179	1		42	876205	1	
3	886444	1		43	949658	1	M5 × 18
4	883892	1		44	_____	1	
5A	886466	1		45	877131	1	
6	878539	1		46	885795	1	
7	878026	1		47	949821	3	M5 × 16
8	876174	1		48	_____	1	
9	886437	1		49A	886725	1	
10	885793	3	I.D. 64.5	50	878542	1	
11	877126	1		51	877705	1	
12	876168	1		52	875638	3	S-12
13	885792	1		53	877880	1	
14	876167	1		54	877882	1	
15	876172	1		55	878734	1	
16	877123	1		56	875645	1	D7.14
17	877122	1		57	875644	1	
18	877124	1		58	877335	1	
19	_____	1		59	874820	1	
20	886443	1	INCLUD.44	60	878121	1	
21	877125	1		61	876203	1	
22	886434	1		62	949866	1	D3 × 30
23	886435	1		63	886442	1	
24	878540	2	M5 × 8	64	883718	1	
25	883724	1		65	881045	1	
26	949547	1	D4 × 36	66	881047	1	
27	886436	1		67	881043	1	
28	878181	4	M5 × 16	68	881039	1	
29	949685	1	D3 × 20	69	886439	1	
30	886441	1		70	883719	1	
31	886440	1		71	886438	1	"68, 73" M5 × 14 D3 × 8
32	881044	1		72	678653	2	
33	875650	1		73	949749	1	
34	949555	1	M5	74	_____	1	
35	877873	1		501	944458	1	4MM
36	883714	1		502	875769	1	
37	883715	1					
38	886342	1					
39	884356	1					
40	884025	1	D3 × 45				





Issued by

 **Hitachi Koki Co., Ltd.**

Sinagawa Intercity Tower A, 15-1, Konan 2-chome,
Minato-ku, Tokyo 108-6020, Japan

Distributed by

 **Hitachi Koki U.S.A., Ltd.**

3950 Steve Reynolds Blvd.
Norcross, GA 30093

 **Hitachi Koki Canada Co.**

450 Export Blvd. Unit B,
Mississauga ON L5T 2A4

903

Code No. C99178861 T
Printed in Taiwan