

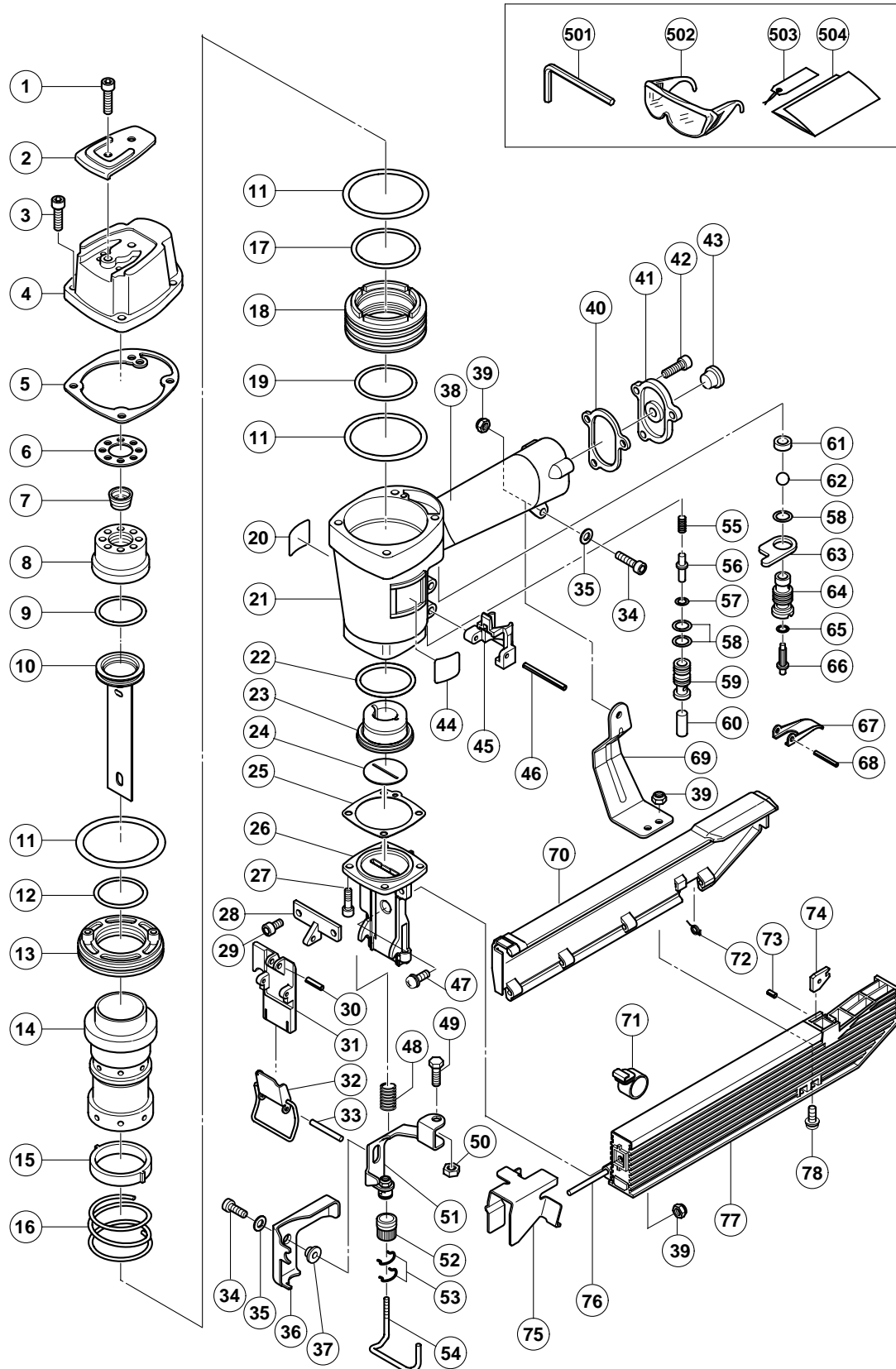
PNEUMATIC TOOL PARTS LIST

■ STAPLER

2003 • 9 • 20

Model N 5024A

(E1)



PARTS

N 5024A

ITEM NO.	CODE NO.	DESCRIPTION	NO. USED	REMARKS
1	949-662	HEX. SOCKET HD. BOLT M5X25 (10 PCS.)	2	
2	876-179	TOP COVER	1	
3	949-757	HEX. SOCKET HD. BOLT M5X20 (10 PCS.)	4	
4	877-917	EXHAUST COVER	1	
5	876-176	GASKET (B)	1	
6	876-178	GASKET (C)	1	
7	878-417	EXHAUST VALVE	1	
8	877-129	HEAD CAP ASS'Y	1	
9	876-174	PISTON O-RING	1	
10	884-357	PISTON	1	
11	876-161	O-RING (S-65)	3	
12	877-126	CYLINDER O-RING (D)	1	
13	876-168	CYLINDER PLATE	1	
14	877-486	CYLINDER	1	
15	876-167	CYLINDER RING	1	
16	876-172	CYLINDER SPRING	1	
17	877-123	CYLINDER O-RING (A)	1	
18	877-122	CYLINDER GUIDE	1	
19	877-124	CYLINDER O-RING (B)	1	
20	884-070	WARNING LABEL	1	
21	884-171	BODY ASS'Y	1	INCLUD. 38
22	877-125	CYLINDER O-RING (C)	1	
23	884-350	PISTON BUMPER	1	
24	884-351	BUMPER SHEET	1	
25	876-673	GASKET (A)	1	
26	884-352	NOSE	1	
27	878-181	NYLOCK HEX. SOCKET HD. BOLT M5X16	4	
28	884-360	GUIDE PLATE	1	
29	949-819	HEX. SOCKET HD. BOLT M5X10 (10 PCS.)	2	
30	949-497	ROLL PIN D4X16 (10 PCS.)	1	
31	884-361	BLADE GUIDE	1	
32	884-362	LOCK LEVER	1	
33	949-866	ROLL PIN D3X30 (10 PCS.)	1	
34	949-658	HEX. SOCKET HD. BOLT M5X18 (10 PCS.)	2	
35	876-205	WASHER	2	
36	884-364	GUARD	1	
37	884-366	SLEEVE	1	
38		GRIP RUBBER	1	SUPPLIED WITH ITEM NO. 602, 603
39	877-371	NYLON NUT M5	4	
40	877-131	GASKET (D)	1	
41	880-036	CAP	1	
42	949-821	HEX. SOCKET HD. BOLT M5X16 (10 PCS.)	3	
43	872-035	DUST CAP	1	
44		NAME PLATE	1	
45	884-356	VALVE GUARD	1	
46	884-025	ROLL PIN D3X45	1	
47	308-386	MACHINE SCREW (W/SP. WASHER) M5X16 (BLACK)	1	
48	877-894	HOLDER SPRING	1	
49	875-650	SAFETY BOLT	1	
50	949-555	NUT M5 (10 PCS.)	1	
51	884-353	PUSHING LEVER	1	

STANDARD ACCESSORIES

N 5024A

ITEM NO.	CODE NO.	DESCRIPTION	NO. USED	REMARKS
501	944-458	HEX. BAR WRENCH 4MM	1	
502	875-769	SAFETY GLASSES	1	
503	882-413	CAUTION TAG	1	
504	882-414	LEAFLET	1	

OPTIONAL ACCESSORIES

ITEM NO.	CODE NO.	DESCRIPTION	NO. USED	REMARKS
601	876-762	SEQUENTIAL TRIP MECHANISM KIT	1	
602	881-768	GRIP TAPE (A)	1	
603	880-407	TAPE	1	