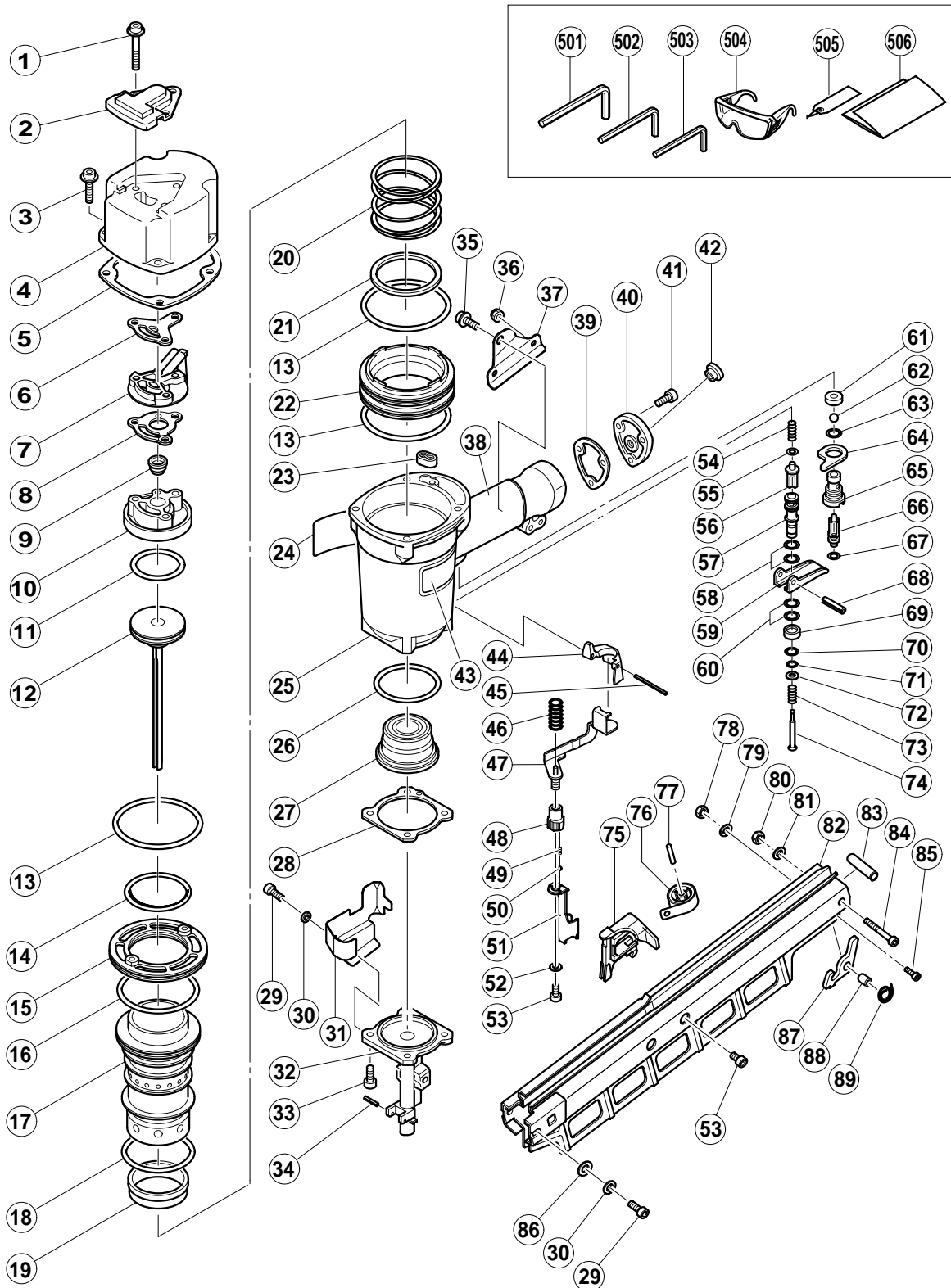


PNEUMATIC TOOL PARTS LIST

STRIP NAILER
Model NR 83A2

2003 • 5 • 10
(E1)



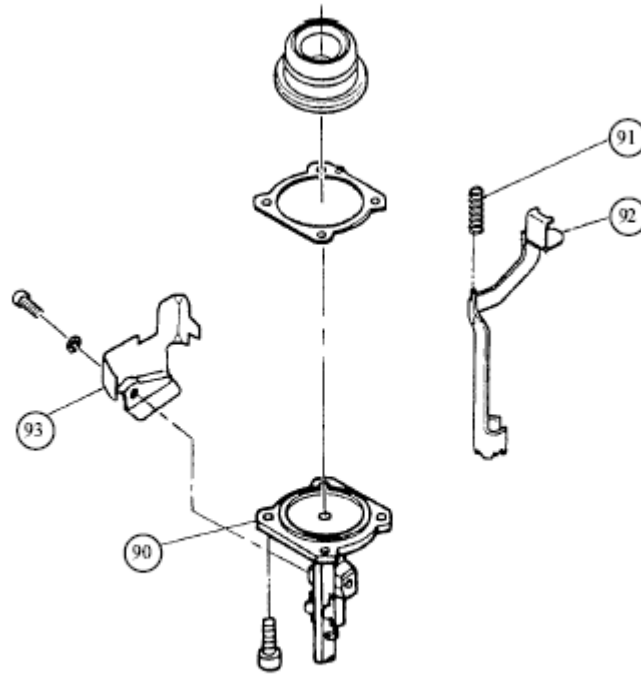
PARTS

NR 83A2

| ITEM NO. | CODE NO. | DESCRIPTION | NO. USED | REMARKS |
|----------|----------|--|----------|-----------------------------------|
| 1 | 883-509 | HEX. SOCKET HD. BOLT (W/FLANGE) M6X45 | 3 | |
| 2 | 877-330 | TOP COVER | 1 | |
| 3 | 883-507 | HEX. SOCKET HD. BOLT (W/SP.WASHER) M6X25 | 4 | |
| 4 | 877-324 | EXHAUST COVER | 1 | |
| 5 | 877-325 | GASKET (B) | 1 | |
| 6 | 877-329 | GASKET (F) | 1 | |
| 7 | 877-328 | EXHAUST PIECE | 1 | |
| 8 | 877-854 | GASKET (C) | 1 | |
| 9 | 884-110 | EXHAUST VALVE (ORANGE) | 1 | |
| 10 | 877-307 | HEAD CAP AND GASKET SET | 1 | INCLUD. 8 |
| 11 | 877-368 | O-RING (1AP-48) | 1 | |
| 12 | 877-323 | PISTON | 1 | |
| 13 | 877-316 | O-RING (S-90) | 3 | |
| 14 | 877-312 | CYLINDER O-RING (I.D 63.1) | 1 | |
| 15 | 877-318 | CYLINDER PLATE | 1 | |
| 16 | 877-313 | CYLINDER O-RING (I.D 79.3) | 1 | |
| 17 | 884-068 | CYLINDER | 1 | |
| 18 | 877-314 | CYLINDER O-RING (I.D 69.3) | 1 | |
| 19 | 877-317 | CYLINDER RING | 1 | |
| 20 | 877-321 | CYLINDER SPRING | 1 | |
| 21 | 877-322 | BASE WASHER | 1 | |
| 22 | 877-310 | CYLINDER GUIDE | 1 | |
| 23 | 877-327 | GASKET (G) | 1 | |
| 24 | 884-069 | WARNING LABEL | 1 | |
| 25 | 883-506 | BODY ASS'Y | 1 | INCLUD. 38 |
| 26 | 877-315 | CYLINDER O-RING (I.D 63.9) | 1 | |
| 27 | 883-511 | PISTON BUMPER (B) | 1 | |
| 28 | 877-334 | GASKET (A) | 1 | |
| 29 | 878-426 | HIGH TENSION BOLT M6X18 | 2 | |
| 30 | 949-455 | SPRING WASHER M6 (10 PCS.) | 2 | |
| 31 | 884-061 | GUARD (A) | 1 | |
| 32 | 884-060 | NOSE | 1 | |
| 33 | 883-492 | NYLOCK HEX. SOCKET HD. BOLT M8X22 | 4 | |
| 34 | 949-518 | ROLL PIN D3X18 (10 PCS.) | 1 | |
| 35 | 883-505 | NYLOCK BOLT (W/FLANGE) M8X16 | 1 | |
| 36 | 963-837 | NYLON NUT M6 | 2 | |
| 37 | 884-066 | HANDLE ARM (B) | 1 | |
| 38 | | GRIP RUBBER | 1 | (SUPPLIED WITH ITEM NO. 602, 603) |
| 39 | 877-331 | GASKET (D) | 1 | |
| 40 | 878-311 | CAP | 1 | |
| 41 | 949-658 | HEX. SOCKET HD. BOLT M5X18 (10 PCS.) | 3 | |
| 42 | 872-035 | DUST CAP | 1 | |
| 43 | | NAME PLATE | 1 | |
| 44 | 884-119 | GUARD (B) | 1 | |
| 45 | 884-025 | ROLL PIN D3X45 | 1 | |
| 46 | 884-067 | SPRING | 1 | |
| 47 | 884-063 | PUSHING LEVER (B) | 1 | |
| 48 | 884-064 | ADJUSTER | 1 | |
| 49 | 880-175 | ADJUSTER SPRING | 2 | |
| 50 | 959-148 | STEEL BALL D3.175 (10 PCS.) | 2 | |
| 51 | 884-062 | PUSHING LEVER (A) | 1 | |

NR83A2(S) Parts

These are the parts that are different between NR83A2 & NR83A2(S)



FOR WITHOUT DEPTH ADJUSTMENT

NR83A2(S)

| P2 Spec's | | | |
|-----------|---------------|----------|------|
| Item # | Description | Code No. | used |
| 90 | Nose | 884076 | 1 |
| 91 | Spring(A) | 884077 | 1 |
| 92 | Pushing Lever | 884074 | 1 |
| 93 | Guard | 884075 | 1 |