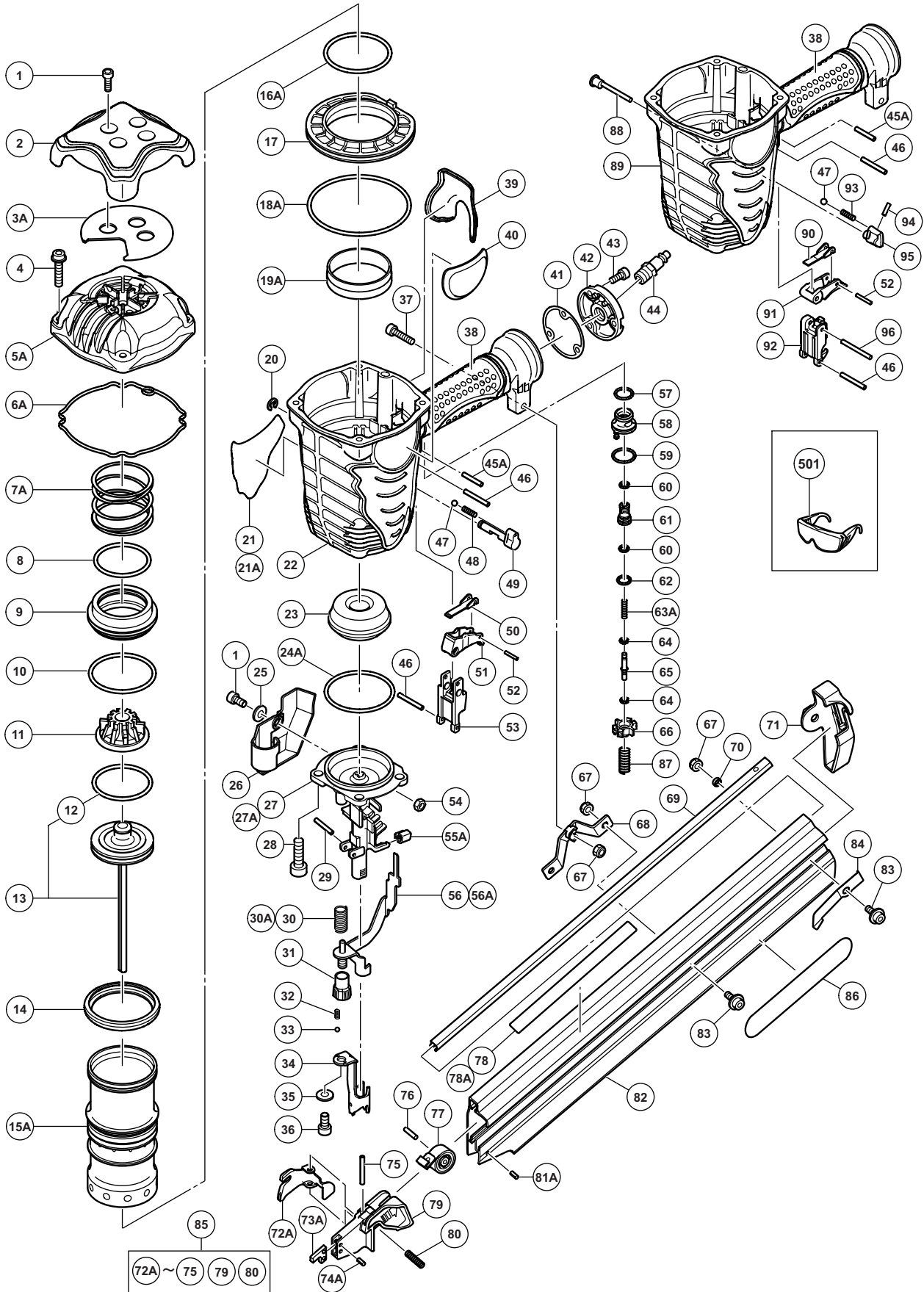


## PNEUMATIC TOOL PARTS LIST

### STRIP NAILER Model NR 90AF

2011·3·31  
(E2)



**PARTS**

NR 90AF

ITEM NO.	CODE NO.	DESCRIPTION	NO. USED	REMARKS
1	949-665	HEX. SOCKET HD. BOLT M5 X 14 (10 PCS.)	5	
2	884-952	HEAD GUARD	1	
3A	886-454	SHEET	1	
4	878-877	HEX. SOCKET HD. BOLT (W/FLANGE) M6 X 30	4	
5	886-261	EXHAUST COVER	1	
6A	886-455	GASKET (A)	1	
7A	886-456	HEAD VALVE SPRING	1	
8	884-947	O-RING (I.D 49.4)	1	
9	884-946	HEAD VALVE	1	
10	884-948	O-RING (I.D 59.4)	1	
11	884-950	EXHAUST VALVE RUBBER	1	
12	884-958	PISTON O-RING	1	
13	886-262	PISTON ASS'Y	1	INCLUD. 12
14	884-945	VALVE RUBBER	1	
15A	886-457	CYLINDER	1	
16A	886-480	O-RING (I.D 59.6)	1	
17	884-944	CYLINDER PLATE	1	
18A	886-481	O-RING (I.D 94.6)	1	
19A	886-483	CYLINDER RING	1	
* 20	955-479	RETAINING RING (E-TYPE) FOR D6 SHAFT	1	
* 21		NAME PLATE	1	
* 21A		NAME PLATE	1	FOR MODEL (S)
* 22	886-259	BODY ASS'Y	1	INCLUDE. 38, 39
23	884-959	PISTON BUMPER	1	
24A	886-482	O-RING (I.D 60)	1	
25	876-205	WASHER	1	
26	886-269	PUSHING LEVER COVER	1	
* 27	886-264	NOSE	1	
* 27A	887-757	NOSE	1	FOR MODEL (S)
28	306-437	NYLOCK HEX. SOCKET HD. BOLT M8 X 30	4	
29	949-518	ROLL PIN D3 X 18 (10 PCS.)	1	
* 30	886-263	PUSHING LEVER SPRING	1	
* 30A	887-758	PUSHING LEVER SPRING	1	FOR MODEL (S)
31	326-799	ADJUSTER	1	
32	886-281	ADJUSTER SPRING	2	
33	959-148	STEEL BALL D3.175 (10 PCS.)	2	
34	886-267	PUSHING LEVER (A)	1	
35	886-282	WASHER	1	
36	949-657	HEX. SOCKET HD. BOLT M6 X 12 (10 PCS.)	1	
37	949-670	HEX. SOCKET HD. BOLT M6 X 22 (10 PCS.)	1	
38		GRIP RUBBER (A)	1	SUPPLIED WITH ITEM NO. 601, 602
39		GRIP RUBBER (B)	1	
40	886-356	HITACHI LABEL	1	
41	884-342	GASKET (B)	1	
42	881-949	CAP	1	
43	949-821	HEX. SOCKET HD. BOLT M5 X 16 (10 PCS.)	3	
44		AIR PLUG NPT 3/8	1	
45A	887-621	ROLL PIN D3 X 25	1	
46	884-975	ROLL PIN D3 X 32	2	
47	959-155	STEEL BALL D3.97 (10 PCS.)	1	

**PARTS**

NR 90AF

ITEM NO.	CODE NO.	DESCRIPTION	NO. USED	REMARKS
* 48	982-454	SPRING (C)	1	
* 49	886-265	CHANGE KNOB (C)	1	
* 50	885-689	TRIGGER ARM (C)	1	
* 51	885-657	TRIGGER (C) ASS'Y	1	INCLUD. 50, 52
52	881-951	ROLL PIN D2.5 X 16	1	
* 53	886-266	PUSHING LEVER GUIDE	1	
54	877-371	NYLON NUT M5	1	
55A	886-458	NOSE RUBBER	2	
* 56	886-268	PUSHING LEVER (B)	1	
* 56A	887-690	PUSHING LEVER (B)	1	FOR MODEL (S)
57	877-763	FEED PISTON O-RING (I.D. 14)	1	
58	884-963	VALVE BUSHING (B)	1	
59	873-570	O-RING (P-18)	1	
60	676-531	O-RING (P-7)	2	
61	884-964	VALVE PISTON	1	
62	872-654	O-RING (1AP-10)	1	
63A	887-178	PLUNGER SPRING	1	
64	878-888	O-RING (I.D. 1.8)	2	
65	884-965	PLUNGER	1	
66	884-962	VALVE BUSHING (A)	1	
67	963-837	NYLON NUT M6	4	
68	886-279	HANDLE ARM	1	
69	886-271	NAIL RAIL	1	
70	886-273	SLEEVE	1	
71	886-272	MAGAZINE COVER	1	
72A	886-460	NAIL FEEDER (A)	1	
73A	886-459	STOPPER	1	
74A	887-458	ROLL PIN D3 X 10 (10 PCS.)	2	
75	949-682	ROLL PIN D4 X 32 (10 PCS.)	1	
76	943-364	NEEDLE ROLLER D4 X 20	1	
77	883-503	RIBBON SPRING	1	
* 78		LABEL (C)	1	
* 78A	887-665	LABEL (C)	1	FOR MODEL (S)
79	886-276	NAIL FEEDER (B)	1	
80	886-278	FEEDER SPRING	1	
81A	887-619	ROLL PIN D3 X 8	1	
82	886-270	MAGAZINE	1	
83	984-443	HEX. SOCKET HD. BOLT (W/FLANGE) M6 X 12	3	
84	886-280	NAIL STOPPER	1	
85	886-274	NAIL FEEDER ASS'Y	1	INCLUD. 72A-75, 79, 80
86		LABEL (B)	1	
* 87	887-682	TRIGGER ARM SPRING	1	FOR MODEL (S)
* 88	887-668	CHANGE ROD (D)	1	FOR MODEL (S)
* 89	887-669	BODY ASS'Y	1	INCLUD. 38, 39 FOR MODEL (S)
* 90	887-755	TRIGGER ARM (D)	1	FOR MODEL (S)
* 91	887-756	TRIGGER (D) ASS'Y	1	INCLUD. 52, 90 FOR MODEL (S)
* 92	887-691	PUSHING LEVER GUIDE (D)	1	FOR MODEL (S)
* 93	887-673	SPRING	1	FOR MODEL (S)
* 94	887-458	ROLL PIN D3 X 10 (10 PCS.)	1	FOR MODEL (S)
* 95	887-674	CHANGE KNOB (D)	1	FOR MODEL (S)

**PARTS**

NR 90AF

ITEM NO.	CODE NO.	DESCRIPTION	NO. USED	REMARKS
* 96	887-675	ROLL PIN D3X35	1	FOR MODEL (S)

**STANDARD ACCESSORIES**

ITEM NO.	CODE NO.	DESCRIPTION	NO. USED	REMARKS
501	875-769	SAFETY GLASSES	1	

**OPTIONAL ACCESSORIES**

ITEM NO.	CODE NO.	DESCRIPTION	NO. USED	REMARKS
601	881-768	GRIP TAPE (A)	1	
602	880-407	TAPE	2	
603	877-153	PNEUMATIC TOOL LUBRICANT (30CC)	1	
604	874-042	PNEUMATIC TOOL LUBRICANT (120CC)	1	
605	876-212	PNEUMATIC TOOL LUBRICANT (1L)	1	
606	317-918	GREASE(ATTOLUB NO.2)500G	1	
607	884-991	O-RING KIT	1	INCLUD. 608-615
608	884-953	GASKET (A)	1	
609	884-947	O-RING (I.D 49.4)	1	
610	884-948	O-RING (I.D 59.4)	1	
611	884-958	PISTON O-RING	1	
612	884-942	O-RING (I.D 59.6)	1	
613	877-317	CYLINDER RING	1	
614	884-943	O-RING (I.D 94.6)	1	
615		INSTRUCTION MANUAL	1	
616	886-283	FULL SEQUENTIAL ACTUATION MECHANISM KIT	1	INCLUD. 617-619
617	886-357	TRIGGER(D)	1	
618	884-994	TRIGGER ARM SPRING	1	
619	949-518	ROLL PIN D3 X 18 (10 PCS.)	1	
620	886-401	NOSE CAP (A)	1	