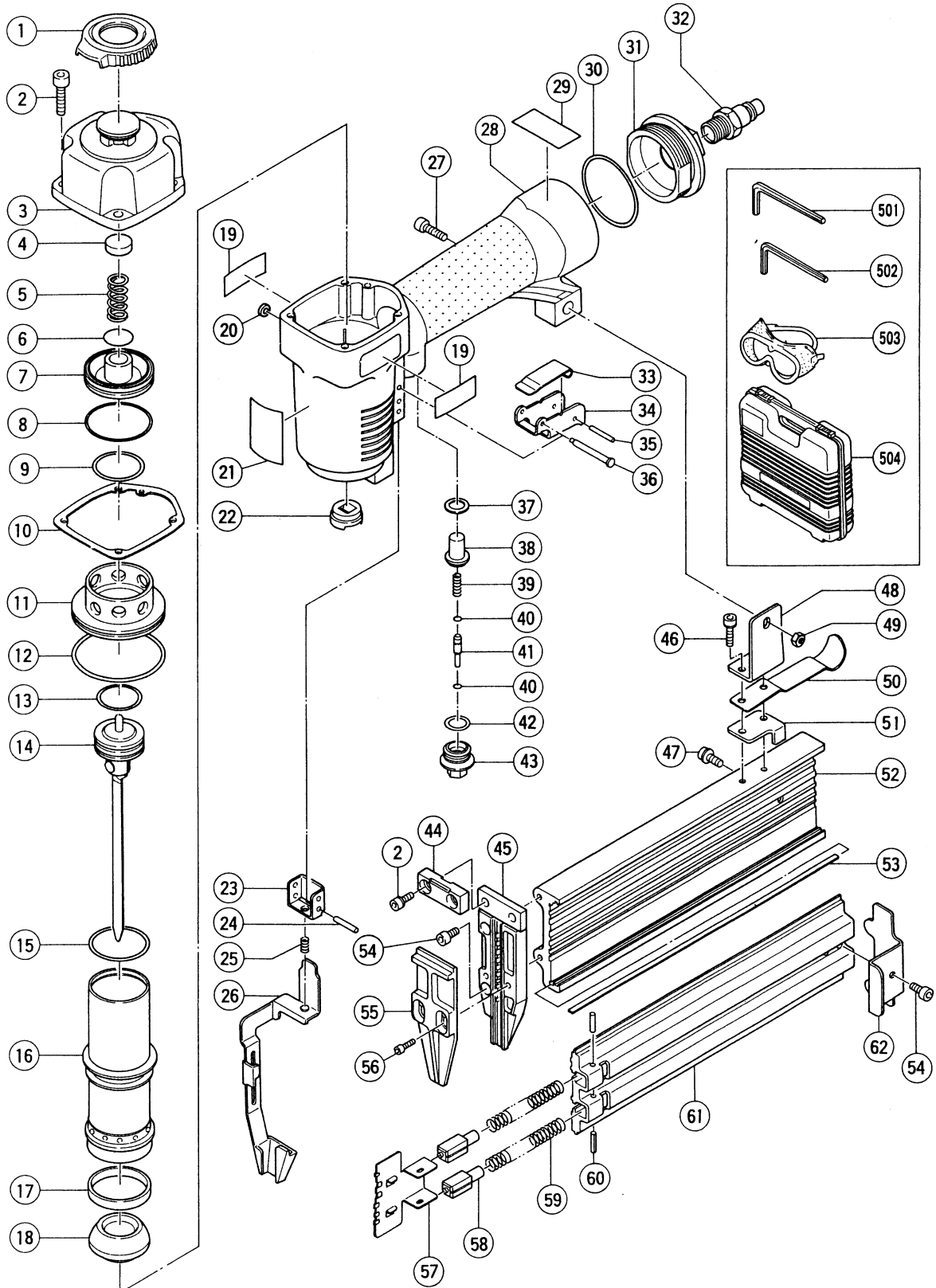


PNEUMATIC TOOL PARTS LIST

■ BRAD NAILER
Model NT 50AE

1998 • 3 • 10
(E1)



PARTS

NT 50AE

ITEM NO.	CODE NO.	DESCRIPTION	NO. USED	REMARKS
1	882-270	DEFLECTOR	1	
2	882-271	BOLT M5X20	6	
3	882-272	CAP	1	
4	882-273	SEAL	1	
5	882-274	SPRING	1	
6	882-275	O - RING (I.D13.8)	1	
7	882-276	HD.VALVE PISTON	1	
8	882-277	O - RING (I.D31.8)	1	
9	882-278	O - RING (I.D23)	1	
10	882-279	PACKING	1	
11	882-280	COLLAR	1	
12	882-281	O - RING (I.D43)	1	
13	882-282	O - RING (I.D21.7)	1	
14	882-283	DRIVER UNIT	1	
15	882-284	O - RING (I.D29.87)	1	
16	882-285	CYLINDER	1	
17	882-286	CYLINDER RING	1	
18	882-287	BUMPER	1	
19		LABEL	2	
20	882-296	RING	1	
21	880-450	WARNING LABEL	1	
22	882-288	JOINT GUIDE	1	
23	882-305	SAFETY GUIDE	1	
24	882-306	SPRING PIN D3X25	2	
25	882-307	SPRING	1	
26	882-308	SAFETY	1	
27	882-314	HEX.SOCKET HD.BOLT M4X16	1	
28	882-301	GUN BODY UNIT	1	
29		NAME PLATE	1	
30	882-302	O - RING (I.D37)	1	
31	882-303	END CAP	1	
32	882-304	AIR PLUG	1	
33	882-297	SAFETY	1	
34	882-298	TRIGGER	1	
35	882-299	SPRING PIN D2.5X16	1	
36	882-300	STEPPED PIN	1	
37	882-289	SEAL	1	
38	882-290	TRIGGER VALVE HEAD	1	
39	882-291	SPRING	1	
40	882-293	O - RING (I.D2.5)	2	
41	882-292	TRIGGER VALVE STEM	1	
42	882-294	O - RING (I.D13)	1	
43	882-295	TRIGGER VALVE GUIDE	1	
44	882-310	DRIVER GUIDE COVER (B)	1	
45	882-309	DRIVER GUIDE	1	
46	882-315	BOLT M4X12	2	
47	882-328	BOLT M4X8	1	
48	882-317	FIXED PLATE	1	
49	882-316	LOCK NUT M4	1	
50	882-318	STOPPER	1	
51	882-319	STOPPER	1	

*: ALTERNATIVE PARTS

SUBJECT: CHANGE OF BODY AND OTHERS, MODELS NT32AE AND NT50AE

ISSUED ON: 7/20/2005

ISSUED BY HITACHI KOKI CO., LTD.

1. SUMMARY:

BODY IS CHANGED TO HITACHI'S ORIGINALLY DESIGNED ONE. IN ADDITION, FUNCTION OF ADJUSTING THE NAILING DEPTH IS PROVIDED. OWING TO THIS CHANGE, RELATIVE PARTS SUCH AS DRIVER UNIT AND MAGAZINE (A) ARE CHANGED OR ADDED.

2. REASON FOR CHANGE:

SALES EFFICIENCY

3. CHANGED PARTS LIST NO:

MODEL NAME	NT32AE	NT50AE											
PARTS LIST NO.	1007	1008											

4. AFFECTED PARTS:

MODEL NAME	(A) BEFORE CHANGE (THROUGH DEC. 2004)					INTER-CHANGEABILITY	(B) AFTER CHANGE (SINCE JAN. 2005)					PRICE (YEN)
	ITEM NO.	CODE NO.	PART NAME	UNIT PCS.	*SUPPLY		ITEM NO.	CODE NO.	PART NAME	UNIT PCS.	REMARKS	
NT32AE	14	882351	DRIVER UNIT	1	C	-X-	14A	882372	DRIVER UNIT	1	WITH FUNCTION OF ADJUSTING THE NAILING DEPTH	
	19	-	LABEL	2	C							
	21A	881128	WARNING LABEL	1	C							
	23	882305	SAFETY GUIDE	1	C							
	24	882306	SPRING PIN D3X25	2	C	<-->	24A	882306	SPRING PIN D3X25	1	WITH FUNCTION OF ADJUSTING THE NAILING DEPTH	
	25	882307	SPRING	1	C							
	26	882354	SAFETY	1	C	-X-	26A	882373	SAFETY	1	WITH FUNCTION OF ADJUSTING THE NAILING DEPTH	
	28A	882339	GUN BODY UNIT	1	C	-X-	28B	885049	BODY	1	WITH FUNCTION OF ADJUSTING THE NAILING DEPTH	
	29	-	NAME PLATE	1	C							
	51	882359	MAGAZINE (A)	1	C	-X-	51A	882374	MAGAZINE (A)	1	WITH FUNCTION OF ADJUSTING THE NAILING DEPTH	
							67	-	WARNING LABEL	1	WITH FUNCTION OF ADJUSTING THE NAILING DEPTH	
							68	885050	DUST COVER	1	WITH FUNCTION OF ADJUSTING THE NAILING DEPTH	
							69	-	NAME PLATE	1	WITH FUNCTION OF ADJUSTING THE NAILING DEPTH	
							70	885065	SAFETY GUIDE	1	WITH FUNCTION OF ADJUSTING THE NAILING DEPTH	
							71	885064	SPRING	1	WITH FUNCTION OF ADJUSTING THE NAILING DEPTH	
						72	885072	RING	1	WITH FUNCTION OF ADJUSTING THE NAILING DEPTH		
						73	885071	SAFETY (B)	1	WITH FUNCTION OF ADJUSTING THE NAILING DEPTH		

INTER-CHANGEABILITY

(A) <-->(B): INTERCHANGEABLE
(A) <-- (B): (B) CAN BE A SUBSTITUTE FOR (A)

(A) -X- (B): NOT INTERCHANGEABLE
(A) --> (B): (A) CAN BE A SUBSTITUTE FOR (B)

* SUPPLY "C": "CONTINUED". "D": "DISCONTINUED" APPLIES ONLY TO THE SUBJECT MODEL(S). THE INDICATED PART MAY STILL BE SUPPLIED FOR OTHER APPLICABLE MODELS. (SEE "INTERCHANGEABILITY LIST".)

MODEL NAME	(A) BEFORE CHANGE (THROUGH DEC. 2004)					INTER-CHANGE-ABILITY	(B) AFTER CHANGE (SINCE JAN. 2005)					
	ITEM NO.	CODE NO.	PART NAME	UNIT PCS.	*SU-PPLY		ITEM NO.	CODE NO.	PART NAME	UNIT PCS.	REMARKS	PRICE (YEN)
NT32AE											NAILING DEPTH	
							74	885073	ADJUSTER	1	WITH FUNCTION OF ADJUSTING THE NAILING DEPTH	
	503	875769	EYE PROTECTOR	1	D	<->	503A	875769	SAFETY GLASSES	1		450
	504	882331	PLASTIC CASE	1	C	-X-	504A	882343	CASE	1	WITH FUNCTION OF ADJUSTING THE NAILING DEPTH	
							505	885076	LEAFLET	1	WITH FUNCTION OF ADJUSTING THE NAILING DEPTH	
							506	885075	CAUTION TAG	1	WITH FUNCTION OF ADJUSTING THE NAILING DEPTH	

INTER-CHANGEABILITY	(A) <->(B): INTERCHANGEABLE (A) <- (B): (B) CAN BE A SUBSTITUTE FOR (A)	(A) -X- (B): NOT INTERCHANGEABLE (A) -> (B): (A) CAN BE A SUBSTITUTE FOR (B)
---------------------	--	---

* SUPPLY "C": "CONTINUED". "D": "DISCONTINUED" APPLIES ONLY TO THE SUBJECT MODEL(S). THE INDICATED PART MAY STILL BE SUPPLIED FOR OTHER APPLICABLE MDELS. (SEE "INTERCHANGEABILITY LIST".)

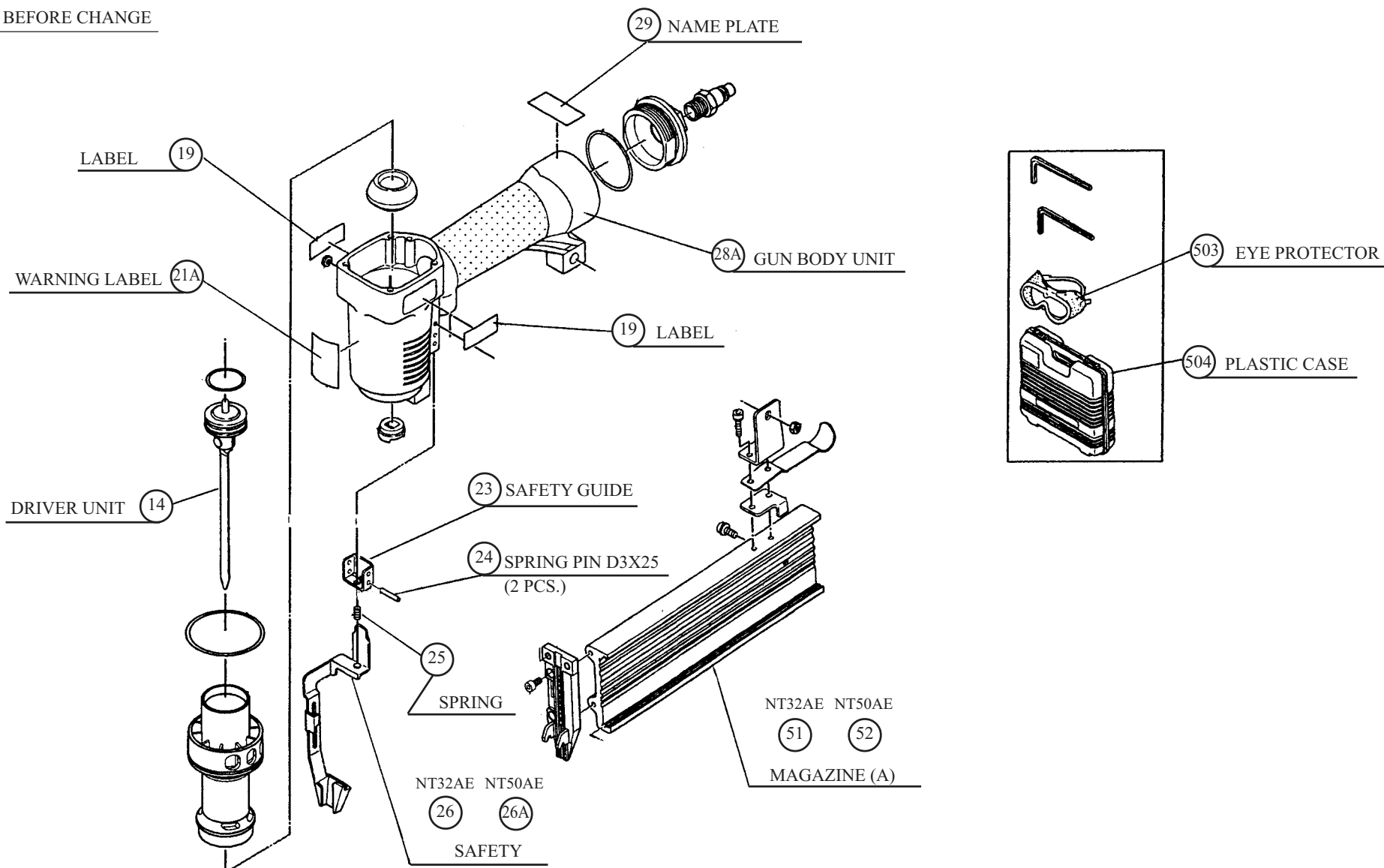
MODEL NAME	(A) BEFORE CHANGE (THROUGH DEC. 2004)					INTER-CHANGE-ABILITY	(B) AFTER CHANGE (SINCE JAN. 2005)					
	ITEM NO.	CODE NO.	PART NAME	UNIT PCS.	*SU-PPLY		ITEM NO.	CODE NO.	PART NAME	UNIT PCS.	REMARKS	PRICE (YEN)
NT50AE	14	882283	DRIVER UNIT	1	C	-X-	14A	882340	DRIVER UNIT	1	WITH FUNCTION OF ADJUSTING THE NAILING DEPTH	
	19	-	LABEL	2	C							
	21A	881128	WARNING LABEL	1	C							
	23	882305	SAFETY GUIDE	1	C							
	24	882306	SPRING PIN D3X25	2	C	<->	24	882306	SPRING PIN D3X25	1	WITH FUNCTION OF ADJUSTING THE NAILING DEPTH	
	25	882307	SPRING	1	C							
	26A	882334	SAFETY	1	C	-X-	26B	882341	SAFETY	1	WITH FUNCTION OF ADJUSTING THE NAILING DEPTH	
	28A	882339	GUN BODY UNIT	1	C	-X-	28B	885049	BODY	1	WITH FUNCTION OF ADJUSTING THE NAILING DEPTH	
	29	-	NAME PLATE	1	C							
	52	882320	MAGAZINE UNIT (A)	1	C	-X-	52A	882342	MAGAZINE (A)	1	WITH FUNCTION OF ADJUSTING THE NAILING DEPTH	
							64	-	WARNING LABEL	1	WITH FUNCTION OF ADJUSTING THE NAILING DEPTH	
							65	885050	DUST COVER	1	WITH FUNCTION OF ADJUSTING THE NAILING DEPTH	
							66	-	NAME PLATE	1	WITH FUNCTION OF ADJUSTING THE NAILING DEPTH	
							67	885065	SAFETY GUIDE	1	WITH FUNCTION OF ADJUSTING THE NAILING DEPTH	
							68	885064	SPRING	1	WITH FUNCTION OF ADJUSTING THE NAILING DEPTH	
							69	885072	RING	1	WITH FUNCTION OF ADJUSTING THE NAILING DEPTH	
							70	885071	SAFETY (B)	1	WITH FUNCTION OF ADJUSTING THE NAILING DEPTH	
							71	885073	ADJUSTER	1	WITH FUNCTION OF ADJUSTING THE NAILING DEPTH	
	503	875769	EYE PROTECTOR	1	D	<->	503A	875769	SAFETY GLASSES	1		450
	504	882331	PLASTIC CASE	1	C	-X-	504A	882343	CASE	1	WITH FUNCTION OF ADJUSTING THE NAILING DEPTH	
							505	885076	LEAFLET	1	WITH FUNCTION OF ADJUSTING THE NAILING DEPTH	
							506	885075	CAUTION TAG	1	WITH FUNCTION OF ADJUSTING THE NAILING DEPTH	

INTER-CHANGEABILITY	(A) <->(B): INTERCHANGEABLE (A) <- (B): (B) CAN BE A SUBSTITUTE FOR (A)	(A) -X- (B): NOT INTERCHANGEABLE (A) -> (B): (A) CAN BE A SUBSTITUTE FOR (B)
---------------------	--	---

* SUPPLY "C": "CONTINUED". "D": "DISCONTINUED" APPLIES ONLY TO THE SUBJECT MODEL(S). THE INDICATED PART MAY STILL BE SUPPLIED FOR OTHER APPLICABLE MODELS. (SEE "INTERCHANGEABILITY LIST".)

5. ILLUSTRATION OF CHANGE:

(A) BEFORE CHANGE



5. ILLUSTRATION OF CHANGE:

(B) AFTER CHANGE

