

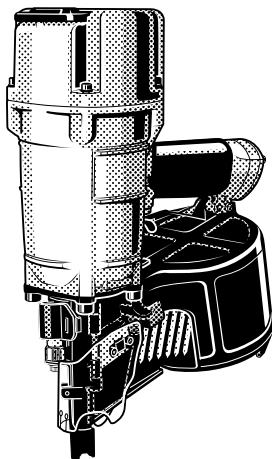
HITACHI

Instruction and safety manual
Manuel d'instructions et de sécurité
Instrucciones y manual de seguridad

Model
Modèle
Modelo

NV 83A3

Nailer
Cloueur
Clavador



⚠ DANGER

Improper use of this Nailer can result in death or serious injury!
This Manual contains important information about product safety.
Read and understand this Manual before operating the Nailer.
Never allow anyone who has not reviewed this manual.

⚠ DANGER

Une utilisation incorrecte et sans respecter la sécurité de ce cloueur risque d'entraîner la mort ou des blessures graves !
Ce manuel renferme des instructions importantes sur la sécurité de l'outil.
Lire et bien assimiler ce manuel avant d'utiliser le cloueur.
Ne jamais laisser les personnes n'ayant pas étudié le manuel utiliser l'outil.

⚠ PELIGRO

¡La utilización inadecuada e insegura de este clavador puede resultar en lesiones serias o en la muerte!
Este manual contiene información importante sobre la seguridad del producto.
Lea y entienda este manual antes de utilizar el martillo neumático.
No deje manejar esta herramienta a nadie que no haya leído este manual.

CONTENTS

English	Page	Page	
IMPORTANT SAFETY INFORMATION	3	APPLICATIONS	10
DEFINITIONS OF SIGNAL WORDS	3	BEFORE OPERATION	10
EXPLANATION OF THE NAILING ACTION OF THE HITACHI NAILER	3	WORKING ENVIRONMENT	10
SAFETY		AIR SUPPLY	10
IMPORTANT SAFETY INSTRUCTION FOR USING NAILERS	4	LUBRICATION	11
IMPORTANT SAFETY INSTRUCTION FOR USING NV83A3 COIL NAILER	7	COLD WEATHER CARE	11
EMPLOYER'S RESPONSIBILITIES	7	TESTING THE NAILER	11
OPERATION		ADJUSTING AIR PRESSURE	12
NAME OF PARTS	8	LOADING NAILS	13
SPECIFICATIONS	9	NAILER OPERATION	14
NAIL SELECTION	9	METHODS OF OPERATION	14
ACCESSORIES	9	ADJUSTING THE NAILING DEPTH	16
STANDARD ACCESSORIES	9	MAINTENANCE	
OPTIONAL ACCESSORIES	10	MAINTENANCE AND INSPECTION	17
		SERVICE AND REPAIRS	18
		PARTS LIST	58

TABLE DES MATIÈRES

Français	Page	Page	
INFORMATION IMPORTANTE DE SÉCURITÉ	20	APPLICATIONS	27
DEFINITION DES MOTS DE SIGNALISATION	20	AVANT L'UTILISATION	27
EXPLICATION DE L'ACTION DE CLOUAGE DU CLOUEUR HITACHI	20	ENVIRONNEMENT DE TRAVAIL	27
SECURITE		ALIMENTATION D'AIR	27
CONSIGNES DE SECURITE IMPORTANTES POUR L'UTILISATION DU CLOUEUR	21	GRAISSAGE	28
IMPORTANTES INSTRUCTIONS DE SECURITE POUR L'UTILISATION DU CLOUEUR NV83A3	24	ENTRETIEN PAR TEMPS FROID	28
RESPONSABILITES DE L'EMPLOYEUR	24	ESSAI DU CLOUEUR	28
UTILISATION		RÉGLAGE DE LA PRESSION D'AIR	30
NOM DES PIECES	25	CHARGEMENT DES CLOUS	30
SPECIFICATIONS	26	UTILISATION DU CLOUEUR	31
SELECTION DES CLOUS	26	MÉTHODES D'UTILISATION	32
ACCESSORIES	26	RÉGLAGE DE LA PROFONDEUR DE CLOUAGE	34
ACCESSOIRES STANDARD	26	ENTRETIEN	
ACCESSOIRES EN OPTION	27	ENTRETIEN ET INSPECTION	35
		ENTRETIEN ET REPARATIONS	37
		LISTE DES PIÈCES	58

ÍNDICE

Español	Página	Página	
INFORMACIÓN IMPORTANTE SOBRE SEGURIDAD	39	ACCESORIOS ESTÁNDAR	45
DEFINICIÓN DE LAS PALABRAS CLAVE	39	ACCESORIOS OPCIONALES	46
EXPLICACIÓN LA ACCIÓN DE CLAVADO DEL CLAVADOR HITACHI	39	APLICACIONES	46
SEGURIDAD		ANTES DE LA OPERACIÓN	46
INSTRUCCIONES IMPORTANTES DE SEGURIDAD PARA LA UTILIZACIÓN DEL CLAVADOR	40	ENTORNO DE TRABAJO	46
INSTRUCCIONES IMPORTANTES DE SEGURIDAD PARA UTILIZAR EL CLAVADOR DE RISTRA NV83A3	43	SUMINISTRO DE AIRE	46
RESPONSABILIDADES DEL EMPRESARIO	43	LUBRICACIÓN	47
OPERACIÓN		CUIDADOS PARA CLIMAS FRÍOS	47
NOMENCLATURA	44	PRUEBA DEL CLAVADOR	47
ESPECIFICACIONES	45	AJUSTE DE LA PRESIÓN DE AIRE	49
SELECCIÓN DE CLAVOS	45	CARGA DE CLAVOS	49
ACCESORIOS	45	OPERACIÓN DEL CLAVADOR	50
		MÉTODOS DE OPERACIÓN	51
		AJUSTE DE LA PROFUNDIDAD DE CLAVADO	53
		MANTENIMIENTO	
		MANTENIMIENTO E INSPECCIÓN	54
		SERVICIO Y REPARACIONES	56
		LISTA DE PIEZAS	58

IMPORTANT SAFETY INFORMATION



Read and understand tool labels and all of the operating instructions, safety precautions and warnings in this manual before operating or maintaining this nailer.

Failure to follow warnings could result in DEATH or SERIOUS INJURY

Most accidents that result from the operation and maintenance of Nailers are caused by the failure to observe basic safety rules or precautions. An accident can often be avoided by recognizing a potentially hazardous situation before it occurs, and by observing appropriate safety procedures.

Basic safety precautions are outlined in the "SAFETY" section of this Manual and in the sections which contain the operation and maintenance instructions.

Hazards that must be avoided to prevent bodily injury or machine damage are identified by DANGERS and WARNINGS on the Nailer and in this Manual.

NEVER use this Nailer for applications other than those specified in this Manual.

DEFINITIONS OF SIGNAL WORDS

DANGER indicates an imminently hazardous situation which, if not avoided, will result in death or serious injury.

WARNING indicates a potentially hazardous situation which, if not avoided, could result in death or serious injury.

CAUTION indicates a potentially hazardous situation which, if not avoided, may result in minor or moderate injury, or may cause machine damage.

NOTE emphasizes essential information.

EXPLANATION OF THE NAILING ACTION OF THE HITACHI NAILER

- SINGLE SEQUENTIAL ACTUATION MECHANISM:
 First, press the push lever against the wood; next, pull the trigger to drive the nail.
 First, pull the trigger; next, press the push lever against the wood to drive the nail.
 After nailing once, nailing will not be possible again until the trigger is released and pressed again.
- CONTACT ACTUATION MECHANISM:
 First, press the push lever against the wood; next, pull the trigger to drive the nail.
 First, pull the trigger; next, press the push lever against the wood to drive the nail.
 If the trigger is held back, a nail will be driven each time the push lever is pressed against the wood.

SAFETY

IMPORTANT SAFETY INSTRUCTION FOR USING NAILERS

READ ALL INSTRUCTIONS

⚠ DANGER

1. OPERATORS AND OTHERS IN WORK AREA MUST WEAR SAFETY GLASSES WITH SIDE SHIELDS.



When operating the Nailer, always wear safety glasses with side shields, and make sure others in work area wear safety glasses, too.

Safety glasses must conform to the requirements of American National Standards Institute, ANSI Z87.1 and provide protection against flying particles both from the front and side.

The employer must enforce the use of safety glasses by the Nailer operator and others in work area.

2. NEVER USE OXYGEN OR OTHER BOTTLED GASES. EXPLOSION MAY OCCUR.



Never use oxygen, combustible gases or any other bottled gases as a power source for the Nailer.

Use of the above gases is dangerous, as the Nailer will explode.

Use only clean, dry, regulated compressed air.

⚠ WARNING

3. NEVER POINT TOOL AT YOURSELF OR OTHERS IN WORK AREA.



Always assume the Nailer contains fasteners.

Never point the Nailer at yourself toward yourself or others, whether it contains fasteners or not.

If fasteners are mistakenly driven, it can lead to severe injuries.

Never engage in horseplay with the Nailer.

Respect the Nailer as a working implement.

4. KEEP FINGERS AWAY FROM TRIGGER WHEN NOT DRIVING FASTENERS TO AVOID ACCIDENTAL FIRING.

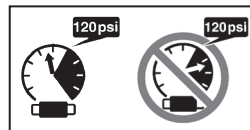
Never carry the Nailer with finger on trigger since you could drive a fastener unintentionally and injure yourself or someone else.

Always carry the Nailer by the handle only.

5. CHOICE OF TRIGGERING METHOD IS IMPORTANT.

Read and understand section titled "METHODS OF OPERATION." (pages 14 – 16)

6. DO NOT EXCEED 120 psi. (8.3 bar 8.5 kgf/cm²)



Do not exceed maximum recommended air pressure 120 psi (8.3 bar 8.5 kgf/cm²).

Never connect the Nailer to pressure which potentially exceeds 200 psi (13.7 bar 14 kgf/cm²) as the Nailer can burst.

7. ALWAYS WEAR EAR AND HEAD PROTECTION.

Always wear ear protection to protect your ears from loud noise.

Always wear head protection to protect your head from flying objects.

8. STORE NAILER PROPERLY.

When not in use, the Nailer should be stored in a dry place. Keep out of reach of children. Lock the storage area.

9. KEEP WORK AREA CLEAN.

Cluttered areas invite injuries. Clear all work areas of unnecessary tools, debris, furniture, etc.

SAFETY — Continued

⚠ WARNING

10. NEVER USE IN PRESENCE OF FLAMMABLE LIQUIDS OR GASES.

The Nailer produces sparks during operation. Never use the Nailer in sites containing lacquer, paint, benzine, thinner, gasoline, gases, adhesive agents, and other materials which are combustible or explosive.

11. KEEP VISITORS AWAY.

Do not let visitors handle the Nailer. All visitors should be kept safely away from work area.

12. DRESS PROPERLY.

Do not wear loose clothing or jewelry as they can be caught in moving parts. Rubber gloves and nonskid footwear are recommended when working outdoors. Wear protective hair covering to contain long hair.

13. NEVER USE NON RELIEVING COUPLER ON NAILER.

If a non relieving coupler is used on the Nailer, the Nailer can remain charged with air after disconnecting and thus will be able to drive a fastener even after disconnecting. The Nailer and air hose must have a hose coupling such that all pressure is removed from the Nailer when the coupling joint is disconnected.

14. CHECK PUSH LEVER BEFORE USE.

Make sure the push lever operates properly. (The push lever may be called "Safety".) Never use the Nailer unless the push lever is operating properly, otherwise the Nailer could drive a fastener unexpectedly. Do not tamper with or remove the push lever, otherwise the push lever becomes inoperable.

15. KEEP ALL SCREWS AND COVERS TIGHTLY IN PLACE.

Keep all screws and covers tightly mounted. Check their condition periodically. Never use the Nailer if parts are missing or damaged.

16. DO NOT LOAD FASTENERS WITH TRIGGER OR PUSH LEVER DEPRESSED.

When loading fasteners into the Nailer or when connecting the air hose,

- 1) do not depress the trigger;
- 2) do not depress the push lever; and
- 3) keep the Nailer pointed downward.

17. KEEP HANDS AND FEET AWAY FROM FIRING HEAD DURING USE.

Never place your hands or feet closer than 8 inches (200 mm) from the firing head.

A serious injury can result if the fasteners are deflected by the workpiece, or are driven away from the point of entry.

18. PLACE NAILER PROPERLY ON WORKPIECE.

Do not drive fasteners on top of other fasteners or with the Nailer at too steep of an angle; the fasteners can ricochet and hurt someone.

19. BEFORE STARTING WORK, CHECK THE NAILING OPERATION SWITCHING DEVICE.

This Hitachi nailer includes a nailing operation switching device.

Before starting work, check the setting of the operation switching device.

If the switching device is not set properly, the nailer will not operate correctly.

20. BE CAREFUL OF DOUBLE FIRE DUE TO RECOIL.

If the push lever is unintentionally allowed to re-contact the workpiece following recoil, an unwanted fastener will be driven.

In order to avoid this undesirable double fire,

- Intermittent operation (Trigger firing)
 - 1) Set the switching device to SINGLE SEQUENTIAL ACTUATION MECHANISM.
 - 2) Pull the trigger rapidly and firmly.
- Continuous operation (Push lever firing)
 - 1) Do not press the nailer against the wood with excessive force.
 - 2) Separate the nailer from the wood as it recoils after nailing.

21. DO NOT DRIVE FASTENERS INTO THIN BOARDS OR NEAR CORNERS AND EDGES OF WORKPIECE.

The fasteners can be driven through or away from the workpiece and hit someone.

SAFETY — Continued

⚠ WARNING

- 22. NEVER DRIVE FASTENERS FROM BOTH SIDES OF A WALL AT THE SAME TIME.**
The fasteners can be driven into and through the wall and hit a person on the opposite side.
- 23. CHECK FOR LIVE WIRES.**
Avoid the risk of severe electrical shock by checking for live electrical wires that may be hidden by walls, floors or ceilings. Turn off the breaker switch to ensure there are no live wires.
- 24. NEVER CARRY NAILER BY HOSE.**
- 25. DO NOT OVERREACH.**
Keep proper footing and balance at all times.
- 26. NEVER USE NAILER WHICH IS DEFECTIVE OR OPERATING ABNORMALLY.**
If the Nailer appears to be operating unusually, making strange noises, or otherwise appears defective, stop using it immediately and arrange for repairs by a Hitachi authorized service center.
- 27. DO NOT DISCONNECT AIR HOSE FROM NAILER WITH FINGER ON TRIGGER.**
The Nailer can fire when re-connected to an air supply.
- 28. DISCONNECT AIR HOSE FROM NAILER WHEN:**
- 1) doing maintenance and inspection;
 - 2) clearing a jam;
 - 3) it is not in use;
 - 4) leaving work area;
 - 5) moving it to another location; and
 - 6) handing it to another person.
- Never attempt to clear a jam or repair the Nailer unless you have disconnected air hose from the Nailer and removed all remaining fasteners from the Nailer.
The Nailer should never be left unattended since people who are not familiar with the Nailer might handle it and injure themselves.
- 29. STAY ALERT.**
Watch what you are doing. Use common sense. Do not operate the Nailer when you are tired. The Nailer should never be used by you if you are under the influence of alcohol, drugs or medication that makes you drowsy.
- 30. HANDLE NAILER CORRECTLY.**
Operate the Nailer according to this Manual. Never allow the Nailer to be operated by children, individuals unfamiliar with its operation or unauthorized personnel.
- 31. NEVER USE NAILER FOR APPLICATIONS OTHER THAN THOSE SPECIFIED IN THIS MANUAL.**
- 32. HANDLE NAILER CAREFULLY.**
Because of high air pressure in the Nailer, cracks in the surface are dangerous.
To avoid this, do not drop the Nailer or strike the Nailer against hard surfaces; and do not scratch or engrave signs on the Nailer. Handle the Nailer carefully.
- 33. MAINTAIN NAILER WITH CARE.**
Keep the Nailer clean and lubricated for better and safer performance.
- 34. USE ONLY PARTS, ACCESSORIES OR FASTENERS SUPPLIED OR RECOMMENDED BY HITACHI.**
Unauthorized parts, accessories, or fasteners may void your warranty and can lead to malfunction and resulting injuries.
Only service personnel trained by Hitachi, distributor or employer shall repair the Nailer.
- 35. NEVER MODIFY OR ALTER A NAILER.**
Doing so may cause it to malfunction and personal injuries may result.

SAFETY — Continued

IMPORTANT SAFETY INSTRUCTIONS FOR USING NV83A3 COIL NAILER

WARNING

- 1. DO NOT REMOVE DUST COVER.**
Fragments of wire collating fasteners can fly out.
- 2. CLOSE NAIL GUIDE AND DO NOT OPEN IT DURING OPERATION.**
If driving fasteners with the nail guide open, the fasteners can be driven away from the workpiece.

EMPLOYER'S RESPONSIBILITIES

1. Ensure that this MANUAL is available to operators and personnel performing maintenance.
2. Ensure that Nailers are used only when operators and others in work area are wearing EYE PROTECTION.
3. Enforce the use of EYE PROTECTION by operators and others in work area.
4. Keep Nailers in safe working order.
5. Maintain Nailers properly.
6. Ensure that Nailers which require repair are not further used before repair.

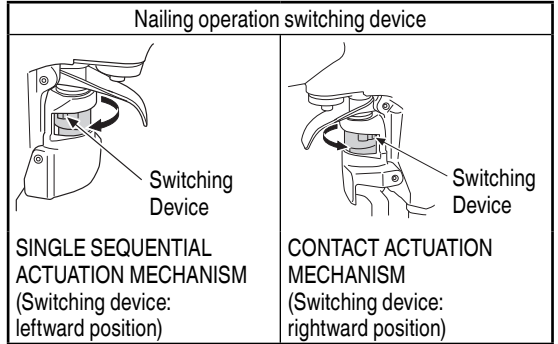
**SAVE THIS MANUAL AND
KEEP IT AVAILABLE FOR OTHERS!**

OPERATION

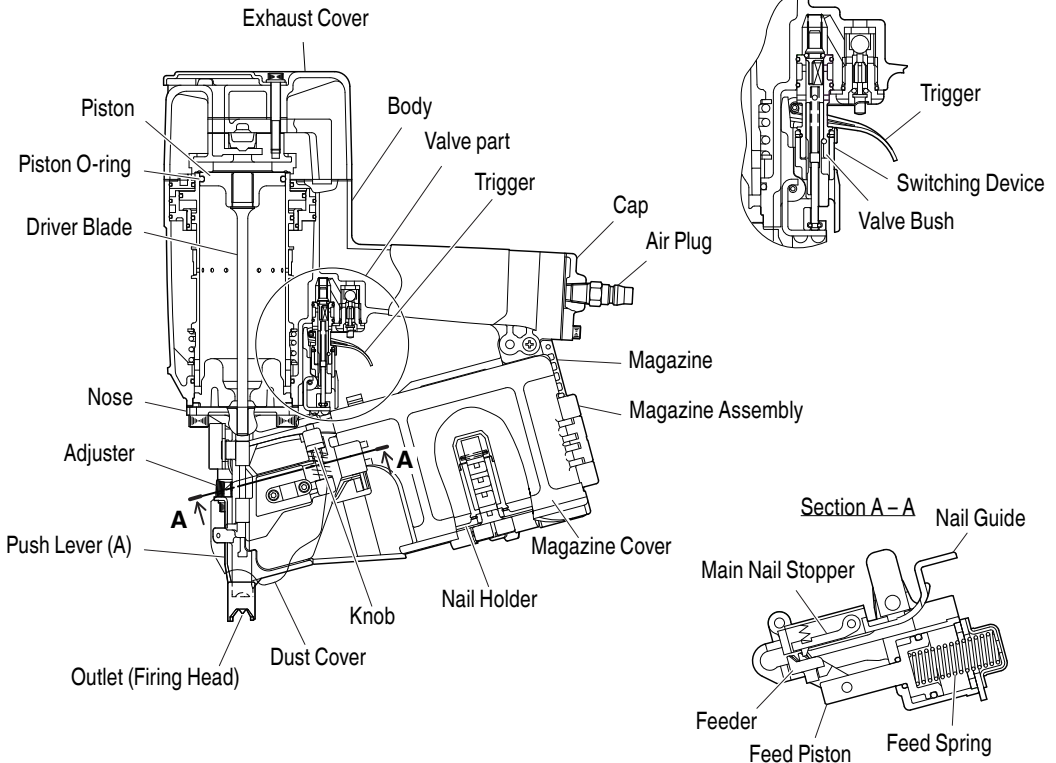
NOTE: The information contained in this Manual is designed to assist you in the safe operation of the Nailer.

Some illustrations in this Manual may show details or attachments that differ from those on your own Nailer.

NAME OF PARTS



Enlarged view of the valve part



SPECIFICATIONS

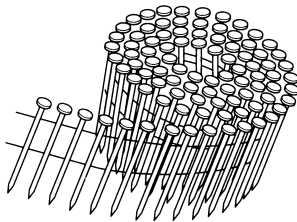
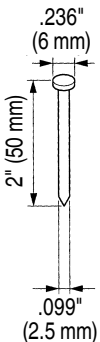
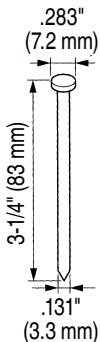
Operating pressure	70 – 120 psi (4.9 – 8.3 bar 5 – 8.5 kgf/cm ²)
Dimensions Length x Height x Width	12-13/32" x 13-11/16" x 5-13/32" (315 mm x 348 mm x 137 mm)
Weight	8.2 lbs (3.7 kg)
Nail capacity	200 – 300 nails (1 coil)
Air consumption	.088 ft ³ /cycle at 100 psi (2.5 ltr/cycle at 6.9 bar) (2.5 ltr/cycle at 7 kgf/cm ²)
Air inlet	3/8 NPT Thread

NAIL SELECTION

⚠ WARNING

- Be sure to use only the genuine HITACHI nails for the NV83A3. The use of any other nails can result in tool malfunction and/or nail breakdown, leading to serious injuries.

Only nails shown in the Table below can be driven with this Nailer.

 <p>Wire-collated coil nails</p>	Min.	Max.
		

ACCESSORIES

⚠ WARNING

- Accessories other than those shown below can lead to malfunction and resulting injuries.

STANDARD ACCESSORIES



- ① Eye protection 1

OPTIONAL ACCESSORIES

- Pneumatic Tool Lubricant ... sold separately
 - .8 oz. (25 cc) oil feeder (Code No. 877153)
 - 4 oz. (120 cc) oil feeder (Code No. 874042)
 - 1 quart (1 ltr) can (Code No. 876212)

NOTE: Accessories are subject to change without any obligation on the part of HITACHI.

APPLICATIONS

- Construction wooden work such as floor and wall framing, roof decking, subflooring.
- Mobile and modular home construction.
- Making wooden boxes, palletes, and drums.
- Packing operations in manufacturing plants, and other types of packing and crating work in general.

BEFORE OPERATION

Read section titled “SAFETY” (pages 4 – 7).

Make sure of the followings before operation.

WORKING ENVIRONMENT

⚠ WARNING

- No flammable gas, liquid or other flammable objects at worksite.
- Clear the area of children or unauthorized personnel.

AIR SUPPLY

⚠ DANGER



- NEVER use oxygen or other bottled gases. Explosion may occur.

⚠ WARNING

- Never connect Nailer to pressure which potentially exceeds 200 psi (13.7 bar 14 kgf/cm²).
- Never use non relieving coupler on Nailer.

1. Power source
 - Use only clean, dry, regulated compressed air as a power source for this Nailer.

- Air compressors used to supply compressed air to this Nailer must comply with the requirements of the latest version of ANSI Standard B 19.3 “Safety Standard For Compressors For Process Industries.”
- Moisture or oil in the air compressor may accelerate wear and corrosion in the Nailer. Drain daily.

2. Filter-Regulator-Lubricator

- Use a regulator with a pressure range of 0 – 120 psi (0 – 8.3 bar 0 – 8.5 kgf/cm²).
- Filter-regulator-lubricator units supply an optimum condition for the Nailer and extend the Nailer life. These units should always be used.

FilterThe filter removes moisture and dirt mixed in compressed air.

Drain daily unless fitted with an automatic drain.

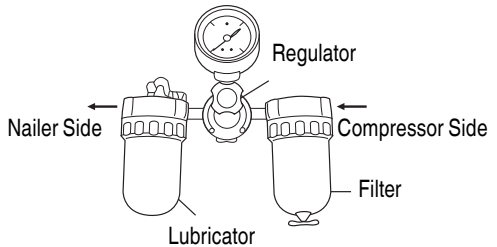
Keep the filter clean by regular maintenance.

Regulator.....The regulator controls the operating pressure for safe operation of the Nailer. Inspect the regulator before operation to be sure it operates properly.

LubricatorThe lubricator supplies an oil mist to the Nailer.

Inspect the lubricator before operation to be sure the supply of lubricant is adequate.

Use Hitachi pneumatic tool lubricant.



3. Air hose

Air hose must have a minimum working pressure rating of 150 psi (10.4 bar 10.6 kgf/cm²) or 150% of the maximum pressure produced in the system, whichever is higher.

4. Air consumption

Using the Air consumption table and the Air compressor size formula, find a correct compressor size.

Air consumption table

Operating pressure	psi	80	90	100
	(bar)	(5.5)	(6.2)	(6.9)
	(kgf/cm ²)	(5.6)	(6.3)	(7)
Air consumption	ft ³ /cycle	.062	.075	.088
	(ltr/cycle)	(1.7)	(2.1)	(2.5)

Air compressor size formula

Amount of air required

=number of Nailers

× average nails driven each minute per Nailer

× air consumption at given air pressure

× safety factor (always 1.2)

Example: 2 Nailers operating at 100 psi driving 30 nails per minute

Amount of air required

=2 × 30 × .088 (2.5) × 1.2

=6.3 CFM (ft³/min) (180 ltr/min)

After making the calculations as shown above, you should find a compressor providing 6.3 CFM of air that is required.

LUBRICATION

It is important that the Nailer be properly lubricated.

Without proper lubrication, the Nailer will not work properly and parts will wear prematurely.

- Use Hitachi pneumatic tool lubricant.
Do not use detergent oil or additives. These lubricants will harm the O-rings and other rubber parts. This will cause the Nailer to malfunction.
- Filter-regulator-lubricator units should always be used.
Keep the lubricator filled with Hitachi pneumatic tool lubricant.
- If a lubricator is not available, supply 5 – 10 drops of Hitachi pneumatic tool lubricant into the air plug on the Nailer twice a day.

COLD WEATHER CARE

- Do not store the Nailer in a cold weather environment. Keep the Nailer in a warm area until beginning the work.
- If the Nailer is already cold, bring it in a warm area and allow the Nailer to warm up before use.
 - ① Reduce the air pressure to 64 psi (4.4 bar 4.5 kgf/cm²).
 - ② Remove all nails from the Nailer.
 - ③ Connect the air hose and free-fire (blank-fire) the Nailer.
The lowered air pressure will be enough to free-fire the Nailer.
Slow speed operation tends to warm up the moving part.

⚠ CAUTION

- Do not free-fire the Nailer at high pressure.

TESTING THE NAILER

⚠ DANGER



- Operators and others in work area **MUST** wear safety glasses with side shields which conforms to ANSI Z87.1 specifications.

⚠ WARNING

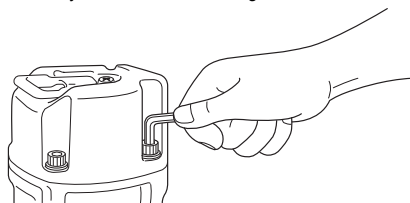
- Never use Nailer unless push lever is operating properly.

Before actually beginning the nailing work, test the Nailer by using the checklist below. Conduct the tests in the following order.

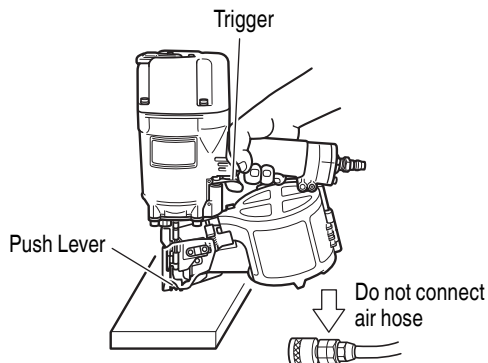
If abnormal operation occurs, stop using the Nailer and contact a Hitachi authorized service center immediately.

- (1) DISCONNECT AIR HOSE FROM NAILER.
REMOVE ALL NAILS FROM NAILER.

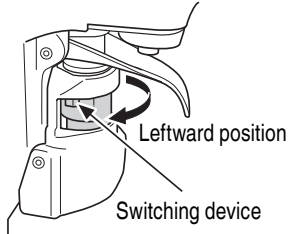
- ALL SCREWS MUST BE TIGHTENED.
If any screws are loose, tighten them.



- THE PUSH LEVER AND TRIGGER MUST MOVE SMOOTHLY.



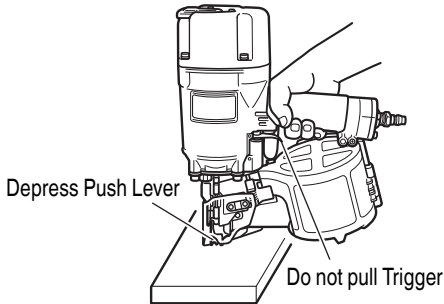
- (2) Adjust the air pressure to 70 psi (4.9 bar 5 kgf/cm²).
 Connect the air hose.
 Do not load any nails in the Nailer.
 Set the switching device to the leftward position (SINGLE SEQUENTIAL ACTUATION MECHANISM).
 (Set the switching device to the leftward position completely as shown in the diagram. Otherwise, it will not operate properly.)



THE NAILER MUST NOT LEAK AIR.

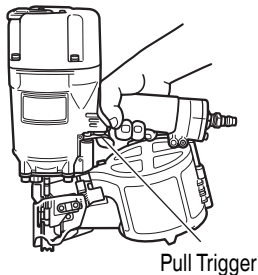
- (3) Remove the finger from the trigger and press the push lever against the wood.

THE NAILER MUST NOT OPERATE.



- (4) Separate the push lever from the wood.
 Next, point the nailer downward, pull the trigger and then wait in that position for 5 seconds or longer.

THE NAILER MUST NOT OPERATE.



- (5) ① Without touching the trigger, depress the push lever against the workpiece.
 Pull the trigger.

THE NAILER MUST OPERATE.

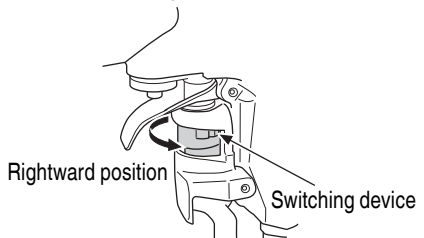
- ② Hold the trigger back while separating the push lever from the wood.

The nailer will remain in operated status (the driver blade will remain at the bottom).

- ③ Remove the finger from the trigger.

Nailer operation will end (the driver blade will return to the top).

- (6) Set the switching device to the rightward position (CONTACT ACTUATION MECHANISM).
 (Set the switching device to the rightward position completely as shown in the diagram. Otherwise, it will not operate properly.)



With the Nailer off the workpiece, pull the trigger.
 Depress the push lever against the workpiece.

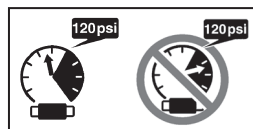
THE NAILER MUST OPERATE.

- (7) If no abnormal operation is observed, you may load nails in the Nailer.
 Drive nails into the workpiece that is the same type to be used in the actual application.

THE NAILER MUST OPERATE PROPERLY.

ADJUSTING AIR PRESSURE

⚠ WARNING



- Do not exceed 120 psi (8.3 bar 8.5 kgf/cm²).

Adjust the air pressure at recommended operating pressure 70 – 120 psi (4.9 – 8.3 bar 5 – 8.5 kgf/cm²) according to the length of nails and the hardness of workpiece.

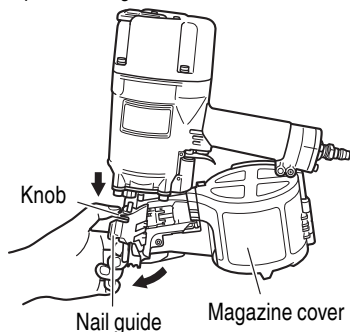
The correct air pressure is the lowest pressure which will do the job. Using the Nailer at a higher than required air pressure unnecessarily over stresses the Nailer.

LOADING NAILS

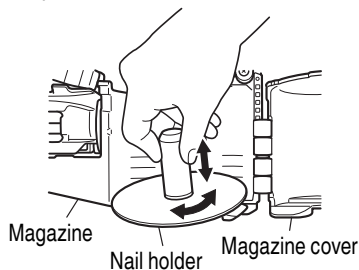
⚠ WARNING

- When loading nails into Nailer,
 - 1) do not pull trigger;
 - 2) do not depress push lever; and
 - 3) keep Nailer pointed downward.

- (1) Grip the nail guide and knob with finger. Press the knob down and swing the nail guide open. And open the magazine cover.

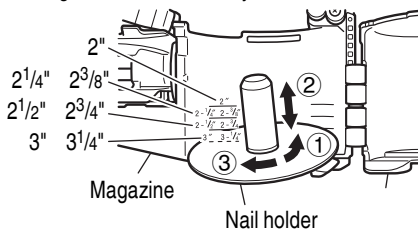


- (2) Adjust the position of the plate according to the nail length. The nail will not feed smoothly if the plate is not correctly adjusted.

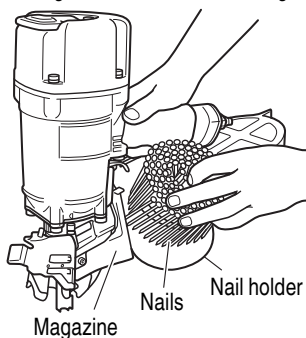


NOTE: Before loading nails in the magazine, adjust the plate. If the magazine cover is forcibly closed without adjusting the plate correctly, the nail holder may be damaged.

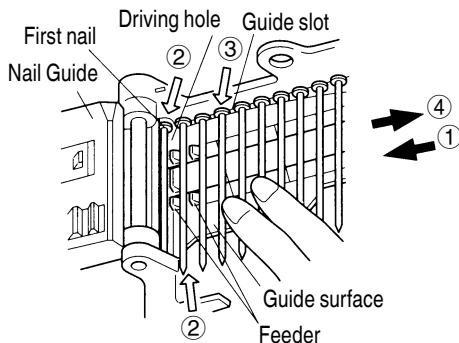
- ① Turn the nail holder about 90 degrees counterclockwise.
- ② Slide in vertical direction possible. Lift or lower the nail holder to accept different length nails.
- ③ Adjust the plate to the nail length reference points on the magazine cover and turn the nail holder 90 degrees clockwise until you hear "click".



- (3) Place the nail coil into the magazine. Uncoil enough nails to reach the driving hole.

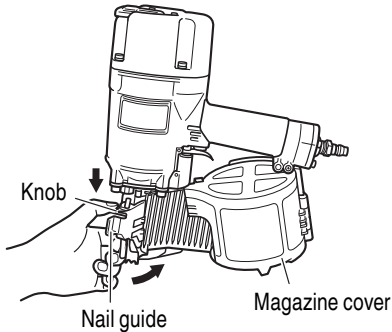


- (4) ① Uncoil enough nails to reach the driving hole.
- ② Insert the first nail into the driving hole and the second nail between the two pawls of the feeder.
- ③ Fit the nail heads in the guide slot.



- ④ Pulling the nails to the right, swing the nail guide closed.

- (5) Close the magazine cover first and swing the nail guide closed.
- (6) Lock the knob correctly.



NOTE: Be careful not to deform the collated wires and not to disengage the nails with the guide surface. Otherwise, the nail guide will not close correctly.

NAILER OPERATION

Read section titled "SAFETY" (pages 4 – 7).

⚠ DANGER



- Operators and others in work area **MUST** wear safety glasses with side shields which conforms to ANSI Z87.1 specifications.

⚠ WARNING



- **NEVER** point tool at yourself or others in work area.
- Keep fingers **AWAY** from trigger when not driving nails to avoid accidental firing.
- Choice of triggering method is important. Please read and understand "Methods of Operation" below.
- Before starting work, check the nailing operation switching device. This Hitachi nailer includes a nailing operation switching device. Before starting work, make sure that the switching device is properly set.

If the switching device is not set properly, the nailer will not operate correctly.

- Never place your hands or feet closer than 8 inches (200 mm) from firing head when using.
- Do not drive nails on top of other nails or with Nailer at too steep of an angle; nails can ricochet and hurt someone.
- Do not drive nails into thin boards or near corners and edges of workpiece. Nails can be driven through or away from workpiece and hit someone.
- Never drive nails from both sides of a wall at the same time. Nails can be driven into and through the wall and hit a person on the opposite side.
- Never use Nailer which is defective or operating abnormally.
- Do not use Nailer as hammer.
- Disconnect air hose from Nailer when:
 - 1) it is not in use;
 - 2) leaving work area;
 - 3) moving it to another location; and
 - 4) handing it to another person.

This Hitachi nailer is equipped with a nailer operation switching device.

Use SINGLE SEQUENTIAL ACTUATION MECHANISM or CONTACT ACTUATION MECHANISM in accordance with the work to be performed.

Explanation of the various nailing operations

- SINGLE SEQUENTIAL ACTUATION MECHANISM: First, press the push lever against the wood; next, pull the trigger to drive the nail. After nailing once, nailing will not be possible again until the trigger is released and pressed again.
- CONTACT ACTUATION MECHANISM: First, press the push lever against the wood; next, pull the trigger to drive the nail. First, pull the trigger; next, press the push lever against the wood to drive the nail. If the trigger is held back, a nail will be driven each time the push lever is pressed against the wood.

METHODS OF OPERATION

This Nailer is equipped with the push lever and does not operate unless the push lever is depressed (upward position).

There are two methods of operation to drive nails with this Nailer.

They are:

1. Intermittent operation (Trigger fire);
2. Continuous operation (Push lever fire);

- (1) Intermittent operation (Trigger fire)
Use the SINGLE SEQUENTIAL ACTUATION MECHANISM setting.

⚠ WARNING

- For intermittent operation, set the switching device to the leftward position completely. (i.e. Set to SINGLE SEQUENTIAL ACTUATION MECHANISM.)

- To avoid double firing or accidental firing due to recoil.

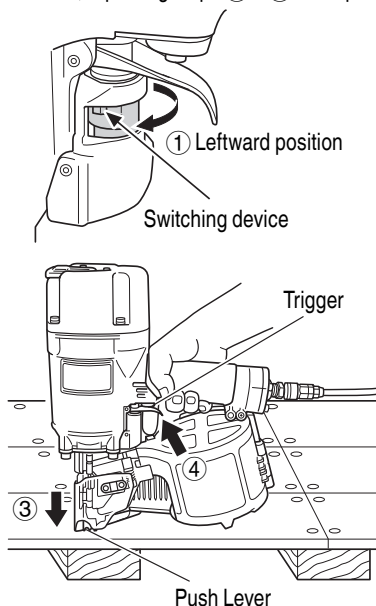
- 1) Set the switching device to SINGLE SEQUENTIAL ACTUATION MECHANISM.
- 2) Pull the trigger rapidly and firmly.

- ① Set the switching device to the leftward position (to set to SINGLE SEQUENTIAL ACTUATION MECHANISM).

(Set the switching device to the leftward position completely as shown in the diagram. Otherwise, it will be set to CONTACT ACTUATION MECHANISM.)

- ② Position the nail outlet on the workpiece with finger off the trigger.
- ③ Depress the push lever firmly until it is completely depressed.
- ④ Pull the trigger to drive a nail.
- ⑤ Remove finger from the trigger.

To continue nailing in a separate location, move the nailer along the wood, repeating steps ② – ⑤ as required.



⚠ WARNING

- A nail will fire each time the trigger is depressed as long as the push lever remains depressed.

- (2) Continuous operation (Push lever fire)
Using CONTACT ACTUATION MECHANISM

⚠ WARNING

- To avoid double firing or accidental firing due to recoil.

- 1) Do not press the nailer against the wood with excessive force.
- 2) Separate the nailer from the wood as it recoils after nailing.

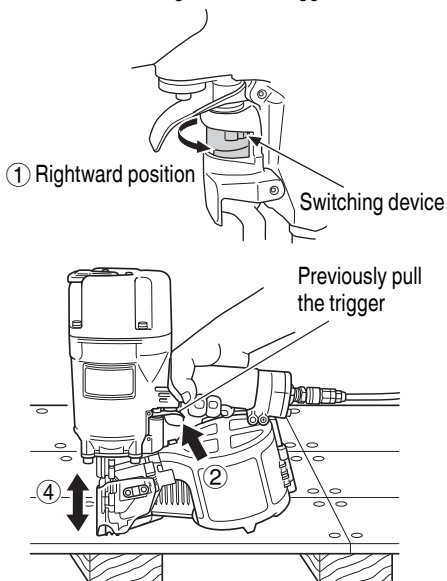
- ① Set the switching device to the rightward position (to set to CONTACT ACTUATION MECHANISM).

(Set the switching device to the rightward position completely as shown in the diagram. Otherwise, it will not operate properly.)

- ② Pull the trigger with the Nailer off the workpiece.
- ③ Depress the push lever against the workpiece to drive a nail.
- ④ Move the Nailer along the workpiece with a bouncing motion.

Each depression of the push lever will drive a nail.

As soon as the desired number of nails have been driven, remove finger from the trigger.



⚠ WARNING

- **Keep your finger off the trigger except during fastening operation, because serious injury could result if the push lever accidentally contacts you or others in work area.**
- **Keep hands and body away from the discharge area. This Hitachi nailer may bounce from the recoil of driving a fastener and unwanted subsequent fastener may be driven, possibly causing injury.**
- **Some types of loaded nails can spark out of the muzzle during a nail driving operation. Exercise caution!**

The SINGLE SEQUENTIAL ACTUATION MECHANISM is for use where precision fastener placement is desired.

The SINGLE SEQUENTIAL ACTUATION MECHANISM may reduce the possibility of bodily injury to you or others in the work area compared to the CONTACT ACTUATION MECHANISM. **This is because it is less likely to drive an unwanted nail if you keep the trigger pulled and accidentally bump the push lever against yourself or others.**

The SINGLE SEQUENTIAL ACTUATION MECHANISM may also reduce the speed of operation compared to the CONTACT ACTUATION MECHANISM. The SINGLE SEQUENTIAL ACTUATION MECHANISM is recommended to inexperienced users.

NOTE:

- If all warnings and instructions are followed, safe operation is possible with two systems: SINGLE SEQUENTIAL ACTUATION MECHANISM and CONTACT ACTUATION MECHANISM.
- Always handle nails and package carefully. If nails are dropped, collating paper may be broken.
- After nailing:
 - 1) disconnect air hose from the Nailer;
 - 2) remove all nails from the Nailer;
 - 3) supply 5 – 10 drops of Hitachi pneumatic tool lubricant into the air plug on the Nailer; and
 - 4) open the petcock on the air compressor tank to drain any moisture.

ADJUSTING THE NAILING DEPTH

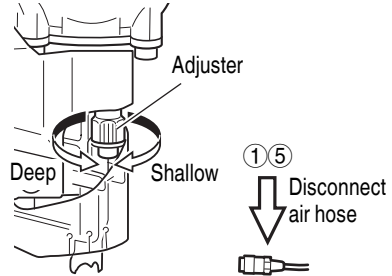
⚠ WARNING

- **Disconnect the air hose from the nailer before turning the adjuster.**

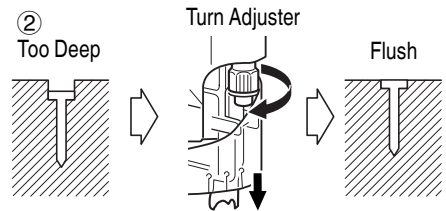
To assure that each nail penetrates to the same depth, be sure that:

- 1) the air pressure to the Nailer remains constant (regulator is installed and working properly), and
 - 2) the Nailer is always held firmly against the workpiece.
- If nails are driven too deep or shallow into the workpiece, adjust the nailing in the following order.

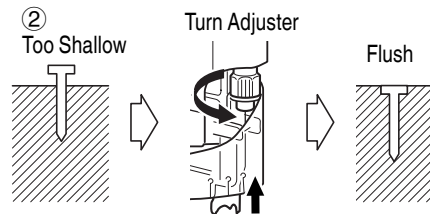
① DISCONNECT AIR HOSE FROM NAILER



- ② If nails are driven too deep, turn the adjuster to the shallow side. Adjustments are in half-turn increments.



If nails are driven too shallow, turn the adjuster to the deep side.



- ③ Stop turning the adjuster when a suitable position is reached for a nailing test.
- ④ Connect the air hose. ALWAYS WEAR EYE PROTECTION. Perform a nailing test.
- ⑤ DISCONNECT AIR HOSE FROM NAILER.
- ⑥ Choose a suitable position for the adjuster.

MAINTENANCE

NOTE: The information contained in this Manual is designed to assist you in the safe maintenance of the Nailer.

Some illustrations in this Manual may show details or attachments that differ from those on your own Nailer.

MAINTENANCE AND INSPECTION

Read section titled "SAFETY" (pages 4 - 7).

⚠ WARNING

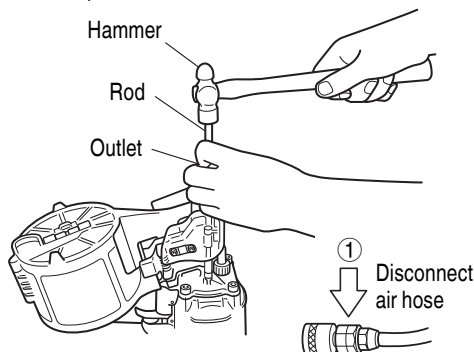
● **Disconnect air hose and remove all nails from Nailer when:**

- 1) **doing maintenance and inspection; and**
- 2) **clearing a jam.**

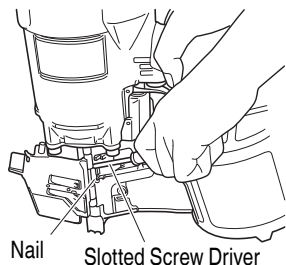
1. Clearing a jam

Remove a jammed nail in the following order:

- ① **DISCONNECT AIR HOSE.**
- ② **Open the nail guide.**
- ③ **Insert a rod into the outlet.**
Tap the rod with a hammer.



- ④ **Remove the jammed nail with a slotted screw driver.**

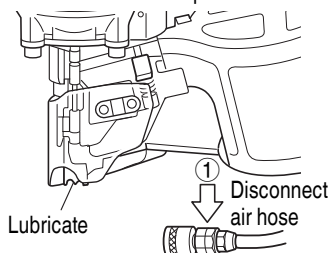


- ⑤ **Cut the deformed collated wire with nippers.**
Correct the deformation.

- ⑥ **In case of frequent jam, contact a Hitachi authorized service center.**

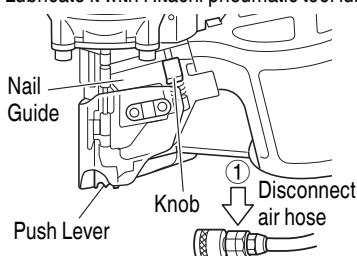
2. Inspecting the push lever

- ① **DISCONNECT AIR HOSE.**
- ② **Clean the push lever sliding part.**
Lubricate it with Hitachi pneumatic tool lubricant.

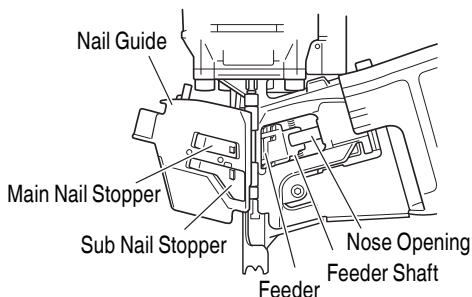


3. Inspecting the feeders

- ① **DISCONNECT AIR HOSE.**
- ② **Clean the knob sliding part.**
Lubricate it with Hitachi pneumatic tool lubricant.



- ③ **Open the nail guide and remove dust.**
Lubricate the sliding groove of the feeder and shafts.



- ④ Lubricate the feeding surfaces of the nose and the nail guide after cleaning.
This promotes smooth operation and prevents rust.

⚠ CAUTION

- Check that the main nail stopper and sub nail stopper slide smoothly by pushing them with finger.
If not smooth, nails can be driven at an irregular angle and hurt someone.

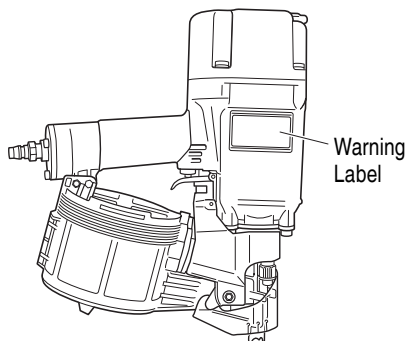
4. Inspecting the magazine
 - ① DISCONNECT AIR HOSE.
 - ② Clean the magazine. Remove dust or wooden tips which may have accumulated in the magazine.

5. Storing

- When not in use for an extended period, apply a thin coat of the lubricant to the steel parts to avoid rust.
- Do not store the Nailer in a cold weather environment.
Keep the Nailer in a warm area.
- When not in use, the Nailer should be stored in a warm and dry place.
Keep out of reach children.

6. WARNING LABEL

Change the WARNING LABEL if missing or damaged.
A new WARNING LABEL is available from a Hitachi authorized service center.



7. Maintenance chart (See page 19)
8. Operator troubleshooting (See page 19)

9. Service parts list

⚠ CAUTION

- Repair, modification and inspection of Hitachi Power Tools must be carried out by a Hitachi Authorized Service Center.

This Parts List will be helpful if presented with the tool to the Hitachi Authorized Service Center when requesting repair or other maintenance. In the operation and maintenance of power tools, the safety regulations and standards prescribed in each country must be observed.

MODIFICATIONS:

Hitachi Power Tools are constantly being improved and modified to incorporate the latest technological advancements.

Accordingly, some parts may be changed without prior notice.

SERVICE AND REPAIRS

⚠ WARNING

- Only service personnel trained by Hitachi, distributor or employer shall repair the Nailer.
- Use only parts supplied or recommended by Hitachi for repair.

All quality Nailers will eventually require servicing or replacement of parts because of wear from normal use.

NOTE: Specifications are subject to change without any obligation on the part of HITACHI.

Maintenance chart

ACTION	WHY	HOW
Drain air line filter daily.	Prevent accumulation of moisture and dirt.	Open manual petcock.
Keep lubricator filled.	Keep the Nailer lubricated.	Fill with Hitachi pneumatic tool lubricant.
Clean filter element — then blow air through filter in direction opposite to normal flow.	Prevent clogging of filter with dirt.	Follow manufacturer's instructions.
Clean magazine and feeder mechanism.	Prevent a jam.	Blow clean daily.
Keep push lever working properly.	Promote operator safety and efficient Nailer operation.	Blow clean daily.
Lubricate the Nailer after nailing.	Extend the Nailer life.	Supply 5 – 10 drops of lubricant into the Nailer.
Drain air compressor.	Keep the Nailer operated properly.	Open petcock on air compressor tank.

Operator troubleshooting

Most minor problems can be resolved quickly and easily using the table below.

If problems persist, contact a Hitachi authorized service center for assistance.

PROBLEM	CHECK METHOD	CORRECTION
Nailer operates, but no nail is driven.	Check for a jam.	Clear a jam.
	Check function of nail feeder per page 17.	Clean and lubricate.
	Ribbon spring weakened or damaged?	Replace ribbon spring.
	Check for proper nails.	Use only recommended nails.
Weak drive. Slow to cycle.	Check air pressure.	Increase air pressure. (Do not exceed 120 psi (8.3 bar 8.5 kgf/cm ² .)
	-----	Use Hitachi pneumatic tool lubricant.
	Driver blade worn? Piston O-ring worn or damaged?	Contact Hitachi for replacement.
Drives too deep.	Check air pressure.	Reduce air pressure. (Adjust 70 – 120 psi)
Skipping nails. Intermittent feed.	Check for proper nails.	Use only recommended nails.
	Check function of nail feeder per page 17.	Clean and lubricate.
	Ribbon spring weakened or damaged?	Replace ribbon spring.
	-----	Use Hitachi pneumatic tool lubricant.
	Piston O-ring cut or heavily worn?	Contact Hitachi for replacement.
Nails jam. Driven nail is bent.	Check for proper nails.	Use only recommended nails.
	Driver blade worn?	Contact Hitachi for replacement.
Drives properly during normal operation, but does not drive fully at faster nailing speeds.	Check inside diameter of air hose.	Use larger air hose.

INFORMATION IMPORTANTE DE SÉCURITÉ



Lire et bien assimiler toutes les étiquettes de l'outil ainsi que toutes les instructions de fonctionnement, les consignes de sécurité et les avertissements de ce mode d'emploi avant d'utiliser ou d'entretenir ce cloueur.

Le non respect des avertissements pourrait entraîner la MORT ou des BLESSURES GRAVES.

La plupart des accidents résultant de l'utilisation ou de l'entretien des cloueurs sont dus au non respect de certaines consignes et précautions de sécurité élémentaires. Un accident peut souvent être évité en reconnaissant une situation potentiellement dangereuse avant qu'elle ne se produise, et en respectant les procédures de sécurité applicables.

Les consignes de sécurité élémentaires sont données dans la section "SECURITE" du manuel et dans les sections relatives aux instructions d'utilisation et d'entretien.

Les dangers à éviter pour empêcher tout risque de blessures ou de dommage de l'outil sont identifiés par les mots DANGER et AVERTISSEMENT, sur le cloueur et dans ce manuel.

NE JAMAIS utiliser ce cloueur pour des applications autres que celles qui sont spécifiées dans ce manuel.

DEFINITION DES MOTS DE SIGNALISATION

DANGER indique une situation imminente dangereuse qui, si elle n'est pas évitée, entraînera la mort ou des blessures graves.

AVERTISSEMENT indique une situation potentiellement dangereuse qui, si elle n'est pas évitée, risque d'entraîner la mort ou des blessures graves.

ATTENTION indique une situation potentiellement dangereuse qui, si elle n'est pas évitée, risque d'entraîner des blessures légères ou modérées, ou d'endommager l'outil.

REMARQUE met en relief les informations essentielles.

EXPLICATION DE L'ACTION DE CLOUAGE DU CLOUEUR HITACHI

- **MÉCANISME DE DÉCLENCHEMENT SÉQUENTIEL UNIQUE:**
Appuyer tout d'abord le levier-poussoir contre le bois, puis tirer sur la gâchette pour enfoncer le clou.
Tirer tout d'abord sur la gâchette, puis appuyer le levier-poussoir contre le bois pour enfoncer le clou.
Quand un clou est enfoncé, il n'est plus possible d'enfoncer un autre clou tant que l'on n'a pas relâché la gâchette et appuyé à nouveau.
- **MÉCANISME DE DÉCLENCHEMENT PAR CONTACT :**
Appuyer tout d'abord le levier-poussoir contre le bois, puis tirer sur la gâchette pour enfoncer le clou.
Tirer tout d'abord sur la gâchette, puis appuyer le levier-poussoir contre le bois pour enfoncer le clou.
Si la gâchette est maintenue tirée, un clou s'enfonce chaque fois que l'on appuie le levier-poussoir contre le bois.

SECURITE

CONSIGNES DE SECURITE IMPORTANTES POUR L'UTILISATION DU CLOUEUR

LIRE TOUTES CES INSTRUCTIONS

⚠ DANGER

1. LES OPÉRATEURS ET LES AUTRES PERSONNES DANS L'AIRE DE TRAVAIL DOIVENT PORTER DES LUNETTES DE PROTECTION AVEC VISIÈRES LATÉRALES.



Quand on utilise le cloueur, toujours porter des lunettes de protection avec visières latérales, et veiller à ce que les autres personnes dans la zone de travail en portent également.

Les lunettes de protection devront respecter les exigences de l'ANSI (American National Standards Institute) Z87.1 et assurer la protection contre les projections de particules arrivant par l'avant et par le côté.

L'employeur doit veiller à ce que la personne qui utilise le cloueur et les autres personnes dans l'aire de travail portent des lunettes de protection.

2. NE JAMAIS UTILISER D'OXYGÈNE NI AUCUN AUTRE GAZ EN BOUTEILLE. IL POURRAIT SE PRODUIRE UNE EXPLOSION.



Ne jamais utiliser d'oxygène, de gaz combustibles ni aucun autre gaz en bouteille comme source d'alimentation du cloueur.

L'utilisation de ces gaz serait dangereuse, car le cloueur exploserait.

Utiliser exclusivement de l'air comprimé propre, sec et régulé.

⚠ AVERTISSEMENT

3. NE JAMAIS DIRIGER L'OUTIL VERS SOI NI VERS QUELQU'UN D'AUTRE DANS L'AIRE DE TRAVAIL.



Toujours supposer que le cloueur renferme des clous.

Ne jamais diriger le cloueur vers soi ni vers quelqu'un d'autre, qu'il renferme des clous ou non.

Si l'on enfonce des clous par erreur, cela risque de provoquer des blessures graves.

Ne jamais s'amuser avec le cloueur.

Le cloueur est un instrument de travail. Le respecter.

4. NE PAS APPROCHER LES DOIGTS DE LA GÂCHETTE QUAND ON N'EFFECTUE PAS DE CLOUAGE POUR ÉVITER TOUT RISQUE DE DÉCLENCHEMENT ACCIDENTEL.

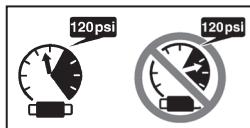
Ne jamais transporter l'outil avec le doigt sur la gâchette, car on risquerait d'enfoncer accidentellement un clou et de se blesser ou de blesser quelqu'un d'autre.

Toujours transporter le cloueur exclusivement par sa poignée.

5. LE CHOIX DE LA MÉTHODE D'UTILISATION DE LA GÂCHETTE EST IMPORTANT.

Lire et bien assimiler la section intitulée "MÉTHODES D'UTILISATION". (pages 32 – 34)

6. NE PAS DÉPASSER 120 psi. (8.3 bars 8.5 kgf/cm²)



Ne pas dépasser la pression d'air maximale recommandée de 120 psi (8.3 bar 8.5 kgf/cm²).

Ne jamais raccorder le cloueur à une pression susceptible de dépasser 200 psi (13.7 bars 14 kgf/cm²) car le cloueur pourrait exploser.

7. TOUJOURS PORTER DES PROTECTIONS ANTI-BRUIT ET UN CASQUE.

Toujours porter des protections anti-bruit pour ne pas s'endommager l'ouïe.

Toujours porter un casque pour se protéger la tête contre les projectiles.

SECURITE — Suite

 **AVERTISSEMENT****8. RANGER LE CLOUEUR CORRECTEMENT.**

Quand on ne s'en sert pas, ranger le cloueur dans un endroit sec. Le ranger hors de portée des enfants. Verrouiller la zone de rangement.

9. MAINTENIR L'AIRE DE TRAVAIL PROPRE.

Une aire encombrée invite les blessures. Enlever tous les outils inutiles, débris, meubles, etc. de l'aire de travail.

10. NE JAMAIS UTILISER EN PRESENCE DE LIQUIDES OU DE GAZ INFLAMMABLES.

Le cloueur provoque des étincelles quand il fonctionne.

Ne jamais utiliser le cloueur dans un endroit renfermant de la laque, de la peinture, de la benzine, du diluant, de l'essence, des gaz, des agents adhésifs ni aucune autre matière combustible ou explosive.

11. ELOIGNER LES VISITEURS.

Ne pas laisser les visiteurs manipuler le cloueur. Tous les visiteurs devront rester en dehors de l'aire de travail.

12. PORTER UN HABILLEMENT APPROPRIÉ.

Ne porter ni vêtements lâches ni bijoux qui pourraient se prendre dans les pièces en mouvement.

Porter des gants de caoutchouc et des chaussures solides si l'on travaille dehors.

Si l'on a les cheveux longs, les maintenir serrés dans un couvre-chef.

13. NE JAMAIS UTILISER DE COUPLEUR NON DEGAGEANT SUR LE CLOUEUR.

Si l'on utilise un coupleur non dégageant sur le cloueur, le cloueur risque de rester chargé d'air après le débranchement, et donc d'enfoncer un clou même après qu'il est débranché.

Le cloueur et le tuyau d'air doivent avoir un coupleur de tuyau tel que toute la pression soit évacuée du cloueur quand on débranche le joint de couplage.

14. VERIFIER LE LEVIER-POUSSOIR AVANT L'UTILISATION.

S'assurer que le levier-poussoir fonctionne correctement. (Le levier-poussoir est parfois appelé

“sécurité”.) Ne jamais utiliser le cloueur si le levier-poussoir ne fonctionne pas correctement. Un clou pourrait s'enfoncer accidentellement. Ne pas toucher au levier-poussoir ni le retirer, car il pourrait ne plus fonctionner.

15. VEILLER A CE QUE TOUTES LES VIS ET LES COUVERCLES SOIENT EN PLACE ET BIEN SERRES.

Veiller à ce que les vis et les couvercles soient solidement fixés. Les vérifier périodiquement.

Ne jamais utiliser le cloueur si des pièces manquent ou sont endommagées.

16. NE PAS CHARGER DE CLOUS SI LA GACHETTE OU LE LEVIER-POUSSOIR SONT ENFONCES.

Quand on charge des clous dans le cloueur ou qu'on raccorde le tuyau d'air,

- 1) ne pas appuyer sur la gâchette;
- 2) ne pas actionner le levier-poussoir; et
- 3) diriger le cloueur vers le bas.

17. ELOIGNER LES MAINS ET LES PIEDS DE LA TETE DE CLOUAGE PENDANT L'UTILISATION.

Ne jamais approcher les mains ni les pieds à moins de 8 pouces (200 mm) de la tête de clouage.

Il y a risque de blessures graves si les clous sont déviés par la pièce ou qu'ils sont déportés au-delà du point d'entrée.

18. PLACER LE CLOUEUR CORRECTEMENT SUR LA PIÈCE.

Ne pas enfoncer de clous sur d'autres clous ni avec le cloueur à un angle trop aigu; les clous pourraient ricocher et blesser quelqu'un.

19. AVANT DE COMMENCER LE TRAVAIL, VÉRIFIER LE DISPOSITIF DE COMMUTATION DE L'OPÉRATION DE CLOUAGE.

Ce cloueur Hitachi comprend un dispositif de commutation de l'opération de clouage.

Avant de commencer le travail, vérifier le réglage du dispositif de commutation de l'opération de clouage.

Si le dispositif de commutation de l'opération de clouage n'est pas réglé correctement, le cloueur ne fonctionnera pas correctement.

SECURITE — Suite

 AVERTISSEMENT**20. FAIRE ATTENTION AUX DOUBLES ACTIVATIONS DUES AU RAPPEL.**

Si on laisse le levier-poussoir entrer accidentellement en contact avec la pièce après le rappel, un clou risque d'être enfoncé.

Pour éviter ce risque,

- Fonctionnement intermittent (déclenchement par gâchette)
 - 1) Régler le dispositif de commutation sur la position MÉCANISME DE DÉCLENCHEMENT SÉQUENTIEL UNIQUE.
 - 2) Tirer sur la gâchette rapidement et fermement.
- Fonctionnement continu (déclenchement par levier-poussoir)
 - 1) Ne pas appuyer trop fort le cloueur contre le bois.
 - 2) Eloigner le cloueur du bois car il effectue un rappel après le clouage.

21. NE PAS ENFONCER DE CLOUS DANS DES PLANCHES MINCES NI PRES DES COINS ET DES BORDS DE LA PIÈCE.

Les clous pourraient traverser la pièce ou s'enfoncer ailleurs que dans la pièce et blesser quelqu'un.

22. NE JAMAIS ENFONCER DE CLOUS DES DEUX CÔTES D'UN MUR EN MEME TEMPS.

Les clous pourraient traverser le mur et blesser quelqu'un de l'autre côté.

23. VÉRIFIER S'IL Y A DES FILS SOUS TENSION.

Pour éviter tout risque d'électrocution grave, vérifier s'il y a des fils sous tension dissimulés dans le mur, le plancher ou le plafond. Couper le disjoncteur pour s'assurer qu'il n'y a pas de fils sous tension.

24. NE PAS TRANSPORTER LE CLOUEUR PAR LE TUYAU.**25. NE PAS TROP SE PENCHER.**

Conserver une bonne assise et un bon équilibre à tout moment.

26. NE JAMAIS UTILISER UN CLOUEUR DÉFECTUEUX OU QUI NE FONCTIONNE PAS NORMALEMENT.

Si le cloueur semble ne pas fonctionner comme d'habitude, qu'il fait des bruits bizarres ou qu'il semble défectueux, cesser immédiatement de

l'utiliser et le faire réparer par un service après-vente Hitachi agréé.

27. NE PAS DEBRANCHER LE TUYAU D'AIR DU CLOUEUR AVEC LE DOIGT SUR LA GÂCHETTE.

Le cloueur pourrait se déclencher lorsque l'air sera à nouveau alimenté.

28. DEBRANCHER LE TUYAU D'AIR DU CLOUEUR QUAND:

- 1) on entretient ou inspecte le cloueur;
- 2) on retire des clous coincés;
- 3) on ne s'en sert pas;
- 4) on quitte l'aire de travail;
- 5) on le transporte dans un autre endroit; et
- 6) on le passe à quelqu'un d'autre.

Ne jamais retirer des clous coincés ni réparer le cloueur si le tuyau d'air n'est pas débranché du cloueur et que les clous restants ne sont pas tous retirés du cloueur.

Ne jamais s'éloigner du cloueur car des personnes non familiarisées avec son fonctionnement pourraient le manipuler et se blesser.

29. RESTER SUR SES GARDES.

Regarder ce que l'on fait. Faire preuve de bon sens.

Ne pas utiliser le cloueur lorsqu'on est fatigué.

Ne jamais utiliser le cloueur si l'on est sous l'influence de médicaments, d'alcool ou de toute autre substance soporifique.

30. MANIPULER LE CLOUEUR CORRECTEMENT.

Utiliser le cloueur en suivant les instructions du manuel.

Ne jamais permettre que le cloueur soit utilisé par des enfants, des personnes non familiarisées avec son fonctionnement ou des personnes non autorisées.

31. NE JAMAIS UTILISER LE CLOUEUR POUR DES APPLICATIONS AUTRES QUE CELLES QUI SONT SPÉCIFIÉES DANS CE MANUEL.**32. MANIPULER LE CLOUEUR AVEC PRECAUTION.**

A cause de la pression d'air élevée à l'intérieur du cloueur, les fissures en surface sont dangereuses.

Pour éviter tout risque, ne pas faire tomber le cloueur ni le heurter contre des surfaces dures; et ne pas le rayer ni graver des inscriptions dessus. Manipuler le cloueur avec précaution.

SECURITE — Suite

AVERTISSEMENT

33. ENTREtenir SOIGNEUSEMENT LE CLOUEUR.

Veiller à ce que le cloueur soit toujours propre et graissé pour obtenir un fonctionnement optimal et en toute sécurité.

34. UTILISER EXCLUSIVEMENT DES PIÈCES, ACCESSOIRES OU CLOUS FOURNIS OU RECOMMANDÉS PAR HITACHI.

Des pièces, accessoires ou clous non autorisés pourraient annuler la garantie, entraîner un mauvais fonctionnement et provoquer des blessures.

Les réparations du cloueur seront confiées exclusivement au personnel d'entretien formé par Hitachi, au distributeur ou à l'employeur.

35. NE JAMAIS MODIFIER NI ALTÉRER UN CLOUEUR.

Cela pourrait provoquer un mauvais fonctionnement et entraîner des blessures physiques.

IMPORTANTES INSTRUCTIONS DE SECURITE POUR L'UTILISATION DU CLOUEUR NV83A3

AVERTISSEMENT

1. NE PAS RETIRER LE COUVERCLE A POUSSIERE.

Des fragments du fil de fixation des clous peuvent être éjectés.

2. FERMER LE GUIDE-CLOUS ET NE PAS L'OUVRIR PENDANT LE FONCTIONNEMENT.

Si l'on enfonce des clous avec le guide-clous ouvert, les clous risquent d'être déviés de la pièce.

RESPONSABILITES DE L'EMPLOYEUR

1. Veiller à ce que ce MANUEL reste à la disposition des personnes qui doivent utiliser ou entretenir le cloueur.

2. Veiller à ce que les cloueurs soient utilisés exclusivement lorsque les opérateurs et les autres personnes présentes dans l'aire de travail portent des LUNETTES DE PROTECTION.

3. Obliger les opérateurs et les autres personnes présentes dans l'aire de travail à porter des LUNETTES DE PROTECTION.

4. Maintenir les cloueurs en bon ordre de marche.

5. Entretenir les cloueurs correctement.

6. Veiller à ce que les cloueurs qui ont besoin d'être réparés ne soient plus utilisés avant d'être réparés.

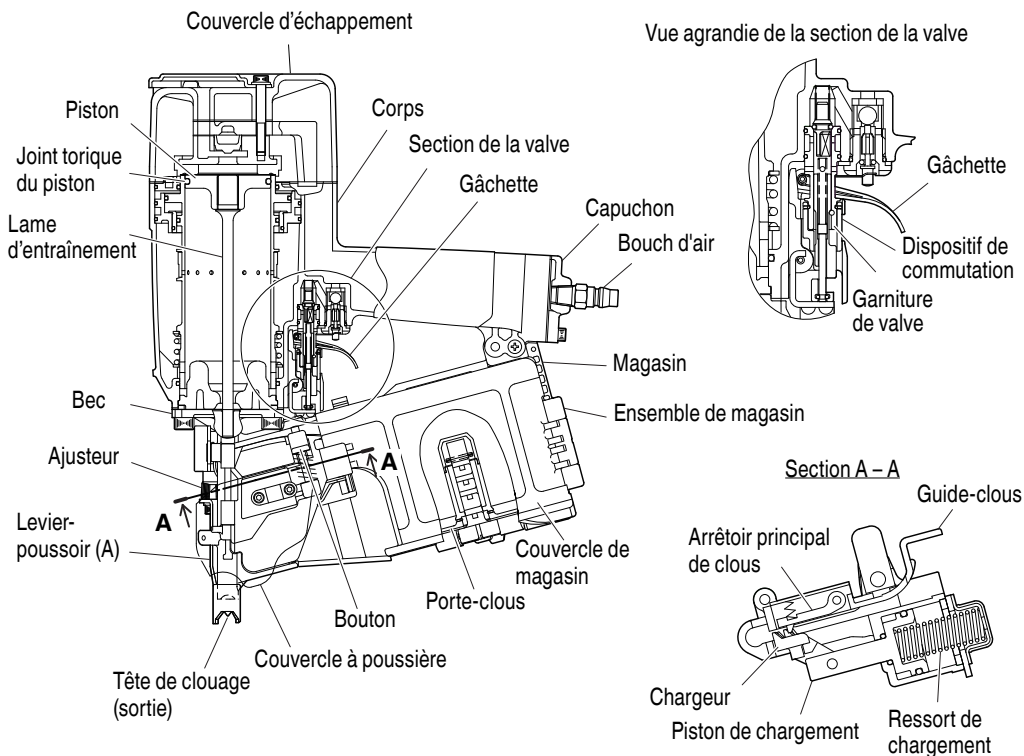
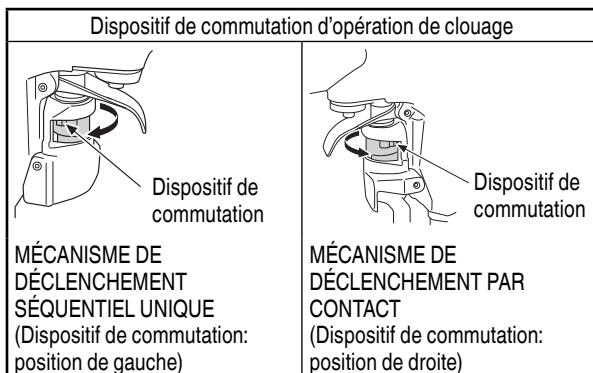
**CONSERVER CE MANUEL ET
LE METTRE A LA DISPOSITION DES
UTILISATEURS!**

UTILISATION

REMARQUE: Les informations contenues dans ce manuel ont pour but d'aider l'opérateur à utiliser le cloueur en toute sécurité.

Certaines des illustrations du manuel peuvent montrer des détails ou des accessoires qui diffèrent de ceux de votre cloueur.

NOM DES PIÈCES



SPECIFICATIONS

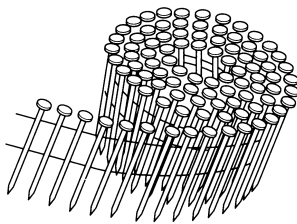
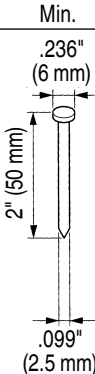
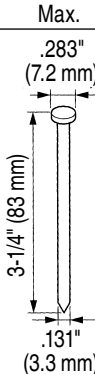
Pression d'utilisation	70 – 120 psi (4.9 – 8.3 bars, 5 – 8.5 kgf/cm ²)
Dimensions Longueur x Hauteur x Largeur	12-13/32" x 13-11/16" x 5-13/32" (315 mm x 348 mm x 137 mm)
Poids	8.2 lbs (3.7 kg)
Contenance de clous	200 – 300 clous (1 bobine)
Consommation d'air	.088 ft ³ /cycle à 100 psi (2.5 l/cycle à 6.9 bars) (2.5 l/cycle à 7 kgf/cm ²)
Arrivée d'air	Filetage 3/8 NPT

SELECTION DES CLOUS

⚠ AVERTISSEMENT

- **Bien utiliser exclusivement les clous HITACHI d'origine avec le NV83A3. L'utilisation d'autres clous risque de provoquer un mauvais fonctionnement de l'outil et/ou une rupture des clous, et d'entraîner des blessures.**

Seuls les clous indiqués dans le tableau ci-dessous pourront être utilisés avec ce cloueur.

 <p>Bobine de clous fixés par fil</p>	<p>Min.</p>  <p>.236" (6 mm)</p> <p>2" (50 mm)</p> <p>.099" (2.5 mm)</p>	<p>Max.</p>  <p>.283" (7.2 mm)</p> <p>3-1/4" (83 mm)</p> <p>.131" (3.3 mm)</p>
--	--	--

ACCESSORIES

⚠ AVERTISSEMENT

- **Les accessoires autres que ceux indiqués ci-dessous risquent de mal fonctionner et de provoquer des blessures.**

ACCESSOIRES STANDARD



- ① Lunettes de protection 1

ACCESSOIRES EN OPTION

... vendus séparément

- Huile de machine pneumatique
Alimenteur d'huile .8 oz (25 cc) (Code No. 877153)
Alimenteur d'huile 4 oz (120 cc) (Code No. 874042)
Alimenteur d'huile 1 quart (1 l) (Code No. 876212)

REMARQUE: Les accessoires sont sujets à modification sans préavis et sans aucune obligation de la part de HITACHI.

APPLICATIONS

- Construction en bois telle que plancher et coffrage de murs, faux comble de toit, structure de base de plancher.
- Construction de caravanes et de maisons modulaires.
- Fabrication de caisses en bois, de palettes et de tambours.
- Fabrication d'éléments d'emballage dans les usines de production, autres types d'emballages et autres travaux de réalisation de caisses à claire-voie.

AVANT L'UTILISATION

Lire la section intitulée "SECURITE" (pages 21 – 24).

Bien vérifier les points suivants avant de travailler.

ENVIRONNEMENT DE TRAVAIL

⚠ AVERTISSEMENT

- Pas de gaz ou liquides inflammables, ni aucun autre objet inflammable sur le chantier.
- Evacuer les enfants et les personnes non autorisées de l'aire de travail.

ALIMENTATION D'AIR

⚠ DANGER



- NE JAMAIS utiliser d'oxygène ni aucun autre gaz en bouteille. Il pourrait se produire une explosion.

⚠ AVERTISSEMENT

- Ne jamais raccorder le cloueur à une pression qui risque de dépasser 200 psi (13.7 bars, 14 kgf/cm²).
- Ne jamais utiliser de coupleur non dégageant sur le cloueur.

1. Alimentation
 - Utiliser exclusivement de l'air comprimé propre, sec et régulé avec ce cloueur.
 - Les compresseurs d'air utilisés pour alimenter l'air comprimé au cloueur devront respecter les exigences ANSI B19.3 "Normes de sécurité pour les compresseurs des industries de transformation".
 - L'humidité ou l'huile dans le compresseur d'air peuvent accélérer l'usure et la corrosion du cloueur. Purger tous les jours.

2. Filtre-régulateur-lubrificateur
 - Utiliser un régulateur d'une pression comprise entre 0 – 120 psi (0 – 8.3 bars 0 – 8.5 kgf/cm²).
 - Les unités filtre-régulateur-lubrificateur procureront les conditions optimales du cloueur et accroîtront sa durée de service.

Toujours les utiliser.

FiltreLe filtre enlève l'humidité et la saleté mélangées à l'air comprimé.

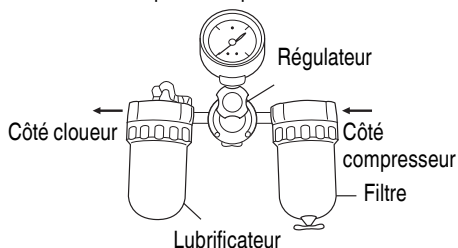
Purger tous les jours, sauf si l'outil possède une purge automatique.
Nettoyer régulièrement le filtre.

Régulateur.....Le régulateur contrôle la pression de fonctionnement afin d'assurer la sécurité du cloueur.

Inspecter le régulateur avant le travail pour s'assurer qu'il fonctionne correctement.

Lubrificateur ...Le lubrificateur alimente de l'huile vaporisée au cloueur.

Inspecter le lubrificateur avant le travail pour s'assurer que l'alimentation d'huile est adéquate.
Utiliser une huile de machine pneumatique Hitachi.



3. Tuyau d'air
Le tuyau d'air doit avoir une pression de travail minimum de 150 psi (10.4 bars 10.6 kgf/cm²) ou 150% de la pression maximum produite par le système, à savoir la plus élevée.

4. Consommation d'air
Sélectionner la taille du compresseur en se reportant au tableau de consommation d'air et aux formules de taille du compresseur.

Tableau de consommation d'air

Pression de fonctionnement	psi (bar) (kgf/cm ²)	80 (5.5) (5.6)	90 (6.2) (6.3)	100 (6.9) (7)
Consommation d'air	ft ³ /cycle (l/cycle)	.062 (1.7)	.075 (2.1)	.088 (2.5)

Formules de taille du compresseur d'air

Quantité d'air requise

=nombre de clous

× clous moyens enfoncés par minute par le cloueur

× consommation d'air à une pression donnée

× facteur de sécurité (toujours 1.2)

Exemple: 2 cloueurs fonctionnant à 100 psi et enfonçant 30 clous par minute

Quantité d'air requise

=2 × 30 × .088 (2.5) × 1.2

=6.3 CFM (ft³/mn) (180 l/mn)

Effectuer le calcul ci-dessus pour obtenir un compresseur fournissant les 6.3 CFM d'air nécessaires.

GRAISSAGE

Il est essentiel que le cloueur soit graissé correctement. Si le cloueur est mal graissé, il ne fonctionnera pas correctement et les pièces s'useront prématurément.

- Utiliser une huile de machine Hitachi. Ne pas utiliser d'huile détergente ni d'additifs. Ces lubrifiants endommageraient les joints toriques et les autres pièces en caoutchouc. Cela provoquerait un mauvais fonctionnement du cloueur.
- Toujours utiliser des unités filtre-régulateur-lubrificateur. Veiller à ce que le régulateur soit toujours plein d'huile de machine pneumatique Hitachi.
- Si l'on ne possède pas de lubrificateur, mettre 5 à 10 gouttes d'huile de machine pneumatique Hitachi dans le bouchon d'air du cloueur deux fois par jour.

ENTRETIEN PAR TEMPS FROID

- Ne pas ranger le cloueur dans un environnement froid. Le laisser dans un endroit chaud jusqu'à ce que l'on soit prêt à travailler.
- Si le cloueur est déjà froid, l'amener dans un endroit chaud et le laisser réchauffer avant de l'utiliser.

- ① Réduire la pression d'air à 64 psi (4.4 bars 4.5 kgf/cm²).
- ② Sortir tous les clous du cloueur.
- ③ Raccorder le tuyau d'air et faire un essai de clouage (clouage à blanc). La pression d'air inférieure sera suffisante pour le clouage à blanc. Les opérations à vitesse lente ont tendance à chauffer les pièces mobiles.

⚠ ATTENTION

- Ne pas faire un essai de clouage à blanc à haute pression.

ESSAI DU CLOUEUR

⚠ DANGER



- Les opérateurs et les autres personnes dans l'aire de travail DOIVENT porter des lunettes de protection avec visières latérales respectant les exigences ANSI Z87.1.

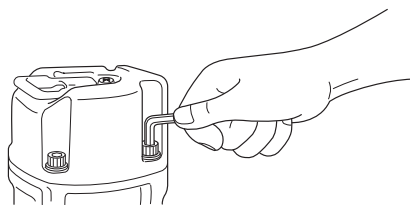
⚠ AVERTISSEMENT

- Ne jamais utiliser le cloueur si le levier-poussoir ne fonctionne pas correctement.

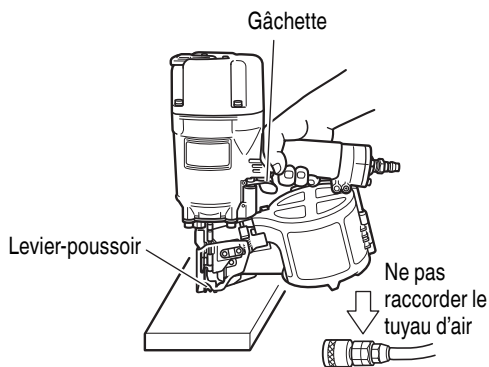
Avant de commencer le travail proprement dit, faire un essai de clouage en vérifiant les points ci-dessous. Effectuer les essais dans l'ordre indiqué.

S'il se produit un fonctionnement anormal, cesser immédiatement d'utiliser le cloueur et contacter un service après-vente agréé Hitachi.

- (1) DEBRANCHER LE TUYAU D'AIR DU CLOUEUR. SORTIR TOUS LES CLOUS DU CLOUEUR.
 - TOUTES LES VIS DOIVENT ETRE SERREES A FOND. Si certaines vis sont relâchées, les revisser.



- LE LEVIER-POUSOIR ET LA GACHETTE DOIVENT FONCTIONNER AVEC SOUPLASSE.



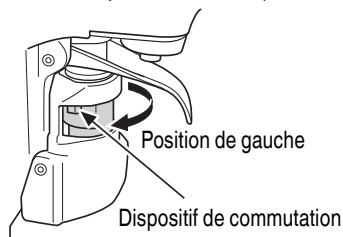
- (2) Régler la pression d'air sur 70 psi (4.9 bar 5 kgf/cm²).

Raccorder le tuyau d'air.

Ne pas mettre de clous dans le cloueur.

Mettre le dispositif de commutation sur la position de gauche (MÉCANISME DE DÉCLENCHEMENT SÉQUENTIEL UNIQUE).

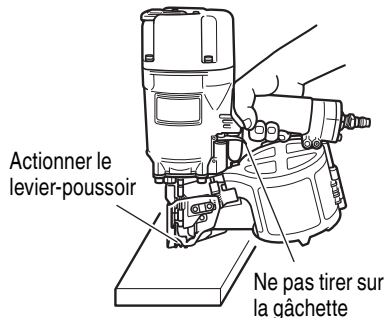
(Régler le dispositif de commutation sur la position de gauche, comme indiqué sur le schéma. Sinon, il ne fonctionnera pas correctement.)



- LE CLOUEUR NE DOIT PAS AVOIR DE FUITE D'AIR.

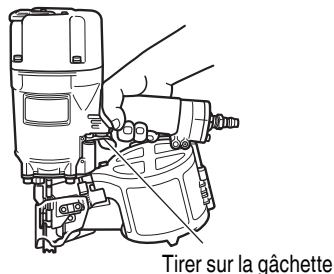
- (3) Retirer le doigt de la gâchette et appuyer le levier-poussoir contre le bois.

- LE CLOUEUR NE DOIT PAS FONCTIONNER.



- (4) Eloigner le levier-poussoir du bois. Ensuite, diriger le cloueur en position abaissée, tirer sur la gâchette et attendre pendant au moins 5 secondes dans cette position.

- LE CLOUEUR NE DOIT PAS FONCTIONNER.



- (5) ① Sans toucher la gâchette, actionner le levier-poussoir contre la pièce. Tirer sur la gâchette.

- LE CLOUEUR DOIT FONCTIONNER.

- ② Ramener la gâchette en arrière tout en éloignant le levier-poussoir du bois.

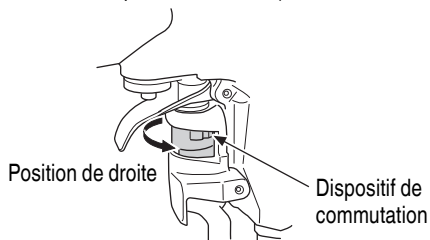
- Le cloueur reste en état de fonctionnement (la lame du tournevis reste en bas).

- ③ Retirer le doigt de la gâchette.

- Le fonctionnement du cloueur s'arrête (la lame du tournevis revient en haut).

- (6) Régler le dispositif de commutation sur la position de droite (MÉCANISME DE DÉCLENCHEMENT PAR CONTACT).

(Régler le dispositif de commutation sur la position de droite, comme indiqué sur le schéma. Sinon, il ne fonctionnera pas correctement.)



Le cloueur ne touchant plus la pièce, tirer sur la gâchette.

Actionner le levier-poussoir contre la pièce.

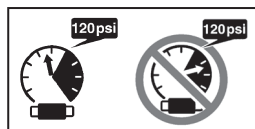
- LE CLOUEUR DOIT FONCTIONNER.

- (7) Si l'on ne remarque aucun fonctionnement anormal, on pourra mettre des clous dans le cloueur.
Enfoncer les clous dans un matériau du même type que celui du travail proprement dit.

LE CLOUEUR DOIT FONCTIONNER CORRECTEMENT.

RÉGLAGE DE LA PRESSION D'AIR

⚠ AVERTISSEMENT



- Ne pas dépasser 120 psi (8.3 bars 8.5 kgf/cm²).

Régler la pression d'air à la pression de travail recommandée de 70 - 120 psi (4.9 - 8.3 bars 5 - 8.5 kgf/cm²) en fonction de la longueur des clous et de la dureté du matériau.

La pression d'air correcte est la pression la plus basse capable d'effectuer le travail. L'utilisation d'une pression d'air supérieure à la pression nécessaire fatiguera inutilement le cloueur.

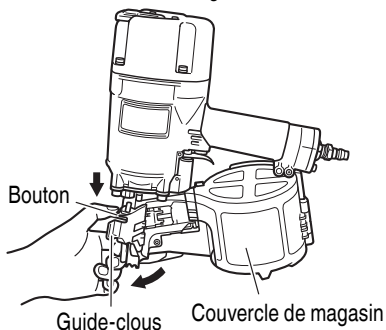
CHARGEMENT DES CLOUS

⚠ AVERTISSEMENT

- Lors du chargement des clous dans le cloueur,

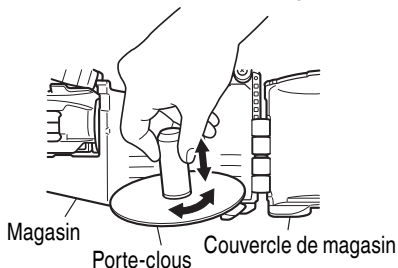
- 1) ne pas appuyer sur la gâchette;
- 2) ne pas actionner le levier-poussoir; et
- 3) diriger le cloueur vers le bas.

- (1) Saisir le guide-clous et le bouton avec les doigts. Pousser le bouton vers le bas et ouvrir le guide-clous. Ouvrir le couvercle du magasin.



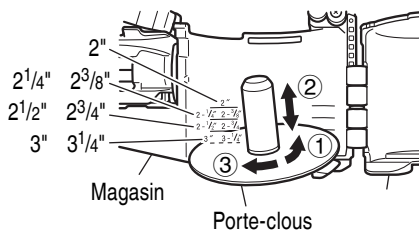
- (2) Régler la position de la platine en fonction de la longueur des clous.

L'alimentation des clous ne peut pas être régulière si la platine n'est pas correctement réglée.

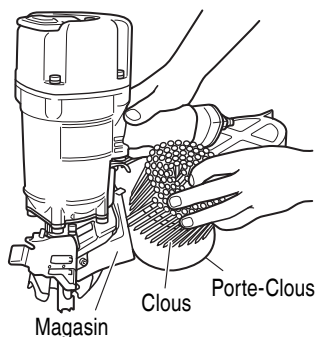


REMARQUE: Avant d'introduire des clous dans le magasin, régler la platine. Si le couvercle du magasin est fermé en forçant et sans que la platine ne soit réglée correctement, le porte-clous peut être endommagé.

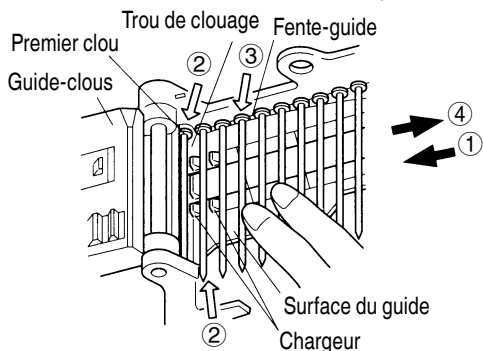
- ① Tourner le porte-clous d'environ 90 degrés dans le sens contraire des aiguilles d'une montre.
- ② Le faire glisser en position verticales autant que possible.
Soulever ou abaisser le porte-clous pour accepter différentes longueurs de clou.
- ③ Régler la platine en fonction des références de longueur de clou du couvercle du magasin puis tourner le porte-clous de 90 degrés dans le sens des aiguilles d'une montre jusqu'à ce que l'on entende un "clic".



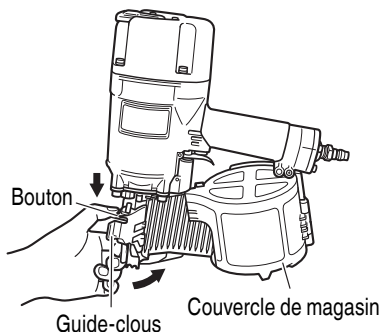
- (3) Introduire la bobine de clous dans le magasin. Dégager une longueur suffisante de clous pour atteindre le perçage d'entraînement.



- (4) ① Dérouler suffisamment de clous pour atteindre le trou de clouage.
- ② Insérer le premier clou dans le trou de clouage et le second clou entre les deux cliquets du chargeur.
- ③ Ajuster la tête du clou dans la fente-guide.



- ④ En tirant les clous sur la droite, faire pivoter le guide-clous pour le refermer.
- (5) Fermer tout d'abord le couvercle du magasin puis le guide-clous.
- (6) Verrouiller convenablement le bouton.



REMARQUE: Veiller à ne pas déformer les fils d'acier de liaison ni à libérer les clous avec la surface de guidage.

Dans le cas contraire, en effet, le guide-clous ne se fermerait pas correctement.

UTILISATION DU CLOUEUR

Lire la section intitulée "SECURITE" (pages 21 – 24).

⚠ DANGER



- Les opérateurs et les autres personnes dans l'aire de travail DOIVENT porter des lunettes de protection avec visières latérales respectant les exigences ANSI Z87.1.

⚠ AVERTISSEMENT



- NE JAMAIS diriger l'outil vers soi ni vers quelqu'un d'autre dans l'aire de travail.
- Toujours ÉLOIGNER le doigt de la gâchette quand on n'effectue pas de clouage afin d'éviter tout risque de déclenchement accidentel.
- Le choix de la méthode d'utilisation de la gâchette est important. Lire et bien assimiler les "Méthodes d'utilisation" ci-dessous.
- Avant de commencer le travail, vérifier le dispositif de commutation de l'opération de clouage. Ce cloueur Hitachi comprend un dispositif de commutation de l'opération de clouage. Avant de commencer le travail, vérifier que le dispositif de commutation est réglé correctement. Si le dispositif de commutation de l'opération de clouage n'est pas réglé correctement, le cloueur ne fonctionnera pas correctement.
- Ne jamais approcher les mains ni les pieds à moins de 8 pouces (200 mm) de la tête de clouage.
- Ne pas enfoncer de clous sur d'autres clous ni avec le cloueur à un angle trop aigu; les clous pourraient ricocher et blesser quelqu'un.

- **Ne pas enfoncer de clous dans des planches minces ni près des coins et des bords de la pièce. Les clous pourraient traverser la pièce ou s'enfoncer ailleurs que dans la pièce et blesser quelqu'un.**
- **Ne jamais enfoncer de clous des deux côtés d'un mur en même temps. Les clous pourraient traverser le mur et blesser quelqu'un de l'autre côté.**
- **Ne jamais utiliser le cloueur s'il est défectueux ou qu'il ne fonctionne pas normalement.**
- **Ne pas se servir du cloueur comme d'un marteau.**
- **Débrancher le tuyau d'air du cloueur quand:**
 - 1) on ne s'en sert pas;
 - 2) on quitte l'aire de travail;
 - 3) on le transporte dans un autre endroit; et
 - 4) on le passe à quelqu'un d'autre.

Ce cloueur Hitachi est équipé d'un dispositif de commutation de l'opération de clouage.

Utiliser le **MÉCANISME DE DÉCLENCHEMENT SÉQUENTIEL UNIQUE** ou le **MÉCANISME DE DÉCLENCHEMENT PAR CONTACT** en fonction du travail à effectuer.

Explication des diverses opérations de clouage

- **MÉCANISME DE DÉCLENCHEMENT SÉQUENTIEL UNIQUE:** Tout d'abord, appuyer le levier-poussoir contre la pièce, puis tirer sur la gâchette pour enfoncer le clou.

Quand un clou est enfoncé, il n'est plus possible d'enfoncer un autre clou tant que l'on n'a pas relâché la gâchette et appuyé à nouveau.

- **MÉCANISME DE DÉCLENCHEMENT PAR CONTACT:** Appuyer tout d'abord le levier-poussoir contre le bois, puis tirer sur la gâchette pour enfoncer le clou.

Tirer tout d'abord sur la gâchette, puis appuyer le levier-poussoir contre le bois pour enfoncer le clou.

Si la gâchette est maintenue tirée, un clou s'enfonce chaque fois que l'on appuie le levier-poussoir contre le bois.

MÉTHODES D'UTILISATION

Le cloueur est équipé d'un levier-poussoir et il ne fonctionne pas tant que le levier-poussoir n'est pas enfoncé (position supérieure).

Il y a deux façons d'enfoncer des clous avec le cloueur.

Ces deux méthodes sont:

1. Fonctionnement intermittent (déclenchement par gâchette);
 2. Fonctionnement continu (déclenchement par levier-poussoir);
- (1) Fonctionnement intermittent (déclenchement par gâchette)
Utilisez le réglage **MÉCANISME DE DÉCLENCHEMENT SÉQUENTIEL UNIQUE**.

⚠ AVERTISSEMENT

- **Pour un fonctionnement intermittent, régler le dispositif de commutation sur la position de gauche. (Ex. Régler sur MÉCANISME DE DÉCLENCHEMENT SÉQUENTIEL UNIQUE.)**

- **Pour éviter tout déclenchement double ou tout déclenchement accidentel du fait d'un rappel.**

1) Régler le dispositif de commutation sur la position **MÉCANISME DE DÉCLENCHEMENT SÉQUENTIEL UNIQUE**.

2) Tirer sur la gâchette rapidement et fermement.

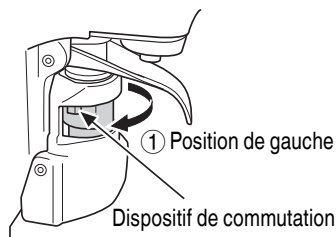
- ① Régler le dispositif de commutation sur la position de gauche (pour le régler sur **MÉCANISME DE DÉCLENCHEMENT SÉQUENTIEL UNIQUE**).

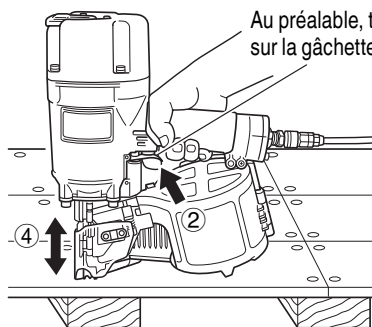
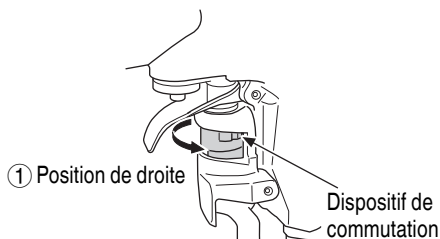
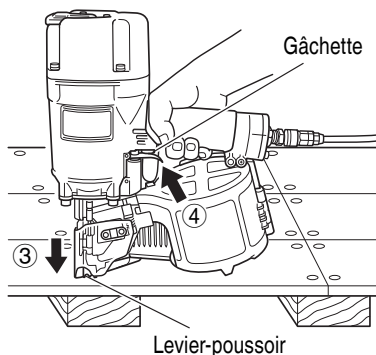
(Régler le dispositif de commutation sur la position de gauche, comme indiqué sur le schéma. Sinon, il se réglera sur **MÉCANISME DE DÉCLENCHEMENT SIMPLE**.)

- ② Placer l'orifice de sortie des clous sur la pièce en enlevant le doigt de la gâchette.
- ③ Actionner fermement le levier-poussoir jusqu'à ce qu'il soit complètement enfoncé.
- ④ Tirer sur la gâchette pour enfoncer un clou.
- ⑤ Retirer le doigt de la gâchette.

Pour continuer à clouer à un autre endroit, déplacer le cloueur le long du bois en recommençant les opérations

- ② à ⑤ selon les besoins.





⚠ AVERTISSEMENT

- Un clou sera libéré chaque fois que la détente sera enfoncée, en autant que le lever-poussoir demeure enfoncé.

- (2) Fonctionnement continu (déclenchement par lever-poussoir)
Utilisation du MÉCANISME DE DÉCLENCHEMENT PAR CONTACT

⚠ AVERTISSEMENT

- Pour éviter tout déclenchement double ou tout déclenchement accidentel du fait d'un rappel.

- 1) Ne pas appuyer le cloueur trop fort contre le bois.
- 2) Eloigner le cloueur du bois car il effectue un rappel après le clouage.

- ① Régler le dispositif de commutation sur la position de droite (pour le régler sur MÉCANISME DE DÉCLENCHEMENT PAR CONTACT). (Régler le dispositif de commutation sur la position de droite, comme indiqué sur le schéma. Sinon, il ne fonctionnera pas correctement.)

- ② Tirer sur la gâchette en retirant le cloueur de la pièce.

- ③ Actionner le lever-poussoir contre la pièce pour enfoncer un clou.

- ④ Déplacer le cloueur le long de la pièce en lui faisant faire des bonds.
Chaque pression du lever-poussoir enfonce un clou.

Dès que le nombre de clous voulu est enfoncé, retirer le doigt de la gâchette.

⚠ AVERTISSEMENT

- Ne pas mettre le doigt sur la gâchette sauf pendant une opération de clouage, car un contact accidentel du lever-poussoir sur l'opérateur ou sur les personnes alentour pourrait entraîner des blessures graves.
- Ne pas approcher les mains ni le corps de la section de sortie des clous. Ce cloueur Hitachi risque de faire un bond sous l'effet du rappel après l'enfoncement d'un clou, ce qui pourrait enfoncer un autre clou non prévu et provoquer des blessures.
- Certains types de clous peuvent s'éjecter de la buse pendant une opération de clouage quand ils sont chargés. Faire attention!

LE MÉCANISME DE DÉCLENCHEMENT SÉQUENTIEL UNIQUE est utilisé lorsqu'un placement précis des attaches est nécessaire.

Le MÉCANISME DE DÉCLENCHEMENT SÉQUENTIEL UNIQUE peut réduire les risques de blessures physiques pour l'opérateur et les autres personnes présentes sur l'aire de travail par rapport au MÉCANISME DE DÉCLENCHEMENT PAR CONTACT. **En effet, il risque moins d'enfoncer accidentellement un clou si l'on garde le doigt sur la gâchette et qu'on appuie accidentellement le lever-poussoir contre soi ou contre une autre personne.**

Le MÉCANISME DE DÉCLENCHEMENT SÉQUENTIEL UNIQUE peut également réduire la vitesse de fonctionnement par rapport au MÉCANISME DE DÉCLENCHEMENT PAR CONTACT. Il est conseillé aux opérateurs débutants d'utiliser LE MÉCANISME DE DÉCLENCHEMENT SÉQUENTIEL UNIQUE.

REMARQUE:

- Si l'on respecte bien tous les avertissements et toutes les instructions, le fonctionnement s'effectuera sans danger avec les deux systèmes : MÉCANISME DE DÉCLENCHEMENT SÉQUENTIEL UNIQUE et MÉCANISME DE DÉCLENCHEMENT PAR CONTACT.
- Toujours manier les clous et le paquet avec précaution. Si les clous tombent, le papier d'assemblage risque de se briser.
- Après le clouage:
 - 1) débrancher le tuyau d'air du cloueur;
 - 2) sortir tous les clous du cloueur;
 - 3) mettre 5 ou 10 gouttes d'huile de machine pneumatique Hitachi dans le bouchon d'air du cloueur; et
 - 4) ouvrir le robinet de purge du réservoir du compresseur d'air pour purger toute l'humidité.

RÉGLAGE DE LA PROFONDEUR DE CLOUAGE

⚠ AVERTISSEMENT

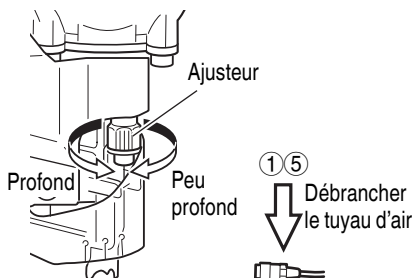
- **Débrancher le tuyau d'air du cloueur avant de tourner l'ajusteur.**

Pour que les clous s'enfoncent tous à la même profondeur, s'assurer que:

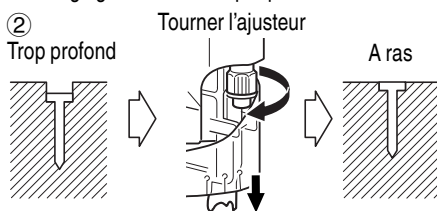
- 1) la pression d'air du cloueur reste constante (le régulateur est installé et il fonctionne normalement), et
- 2) le cloueur est toujours maintenu fermement contre la pièce.

Si les clous sont enfoncés trop loin ou pas assez dans la pièce, régler le clouage dans l'ordre suivant.

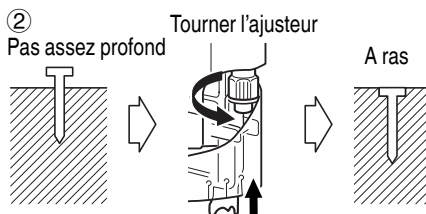
- ① DEBRANCHER LE TUYAU D'AIR DU CLOUEUR.



- ② Si les clous s'enfoncent trop profondément, tourner l'ajusteur sur le côté peu profond. Les réglages s'effectuent par paliers d'un demi-tour.



Si les clous ne s'enfoncent pas assez profondément, tourner l'ajusteur sur le côté profond.



- ③ Cesser de tourner l'ajusteur quand on a trouvé la position qui convient lors de l'essai de clouage.
- ④ Brancher le tuyau d'air.
TOUJOURS PORTER DES LUNETTES DE PROTECTION.
Effectuer un clouage d'essai.
- ⑤ DEBRANCHER LE TUYAU D'AIR DU CLOUEUR.
- ⑥ Sélectionner la position de l'ajusteur qui convient.

ENTRETIEN

REMARQUE: Les informations contenues dans ce manuel ont pour but d'aider l'opérateur à utiliser le cloueur en toute sécurité.

Certaines des illustrations du manuel peuvent montrer des détails ou des accessoires qui diffèrent de ceux de votre cloueur.

ENTRETIEN ET INSPECTION

Lire la section intitulée "SECURITE" (pages 21 – 24).

⚠ AVERTISSEMENT

● **Débrancher le tuyau d'air et sortir tous les clous du cloueur quand:**

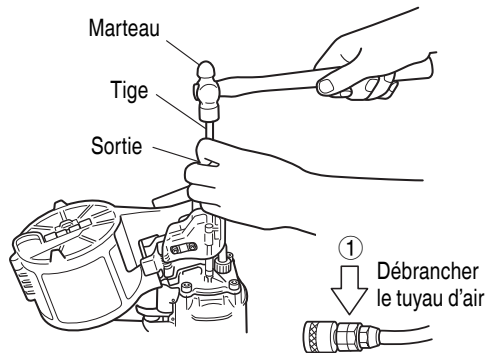
- 1) on entretient ou on inspecte le cloueur; et
- 2) on retire des clous coincés.

1. Elimination d'un blocage

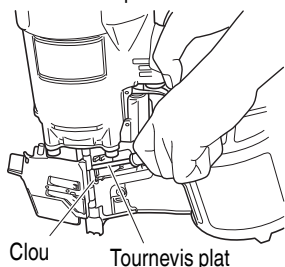
Retirer un clou bloqué dans l'ordre suivant:

- ① DEBRANCHER LE TUYAU D'AIR.
- ② Ouvrir le guide-clous.
- ③ Insérer une tige dans la sortie.

Taper sur la tige avec un marteau.



- ④ Retirer le clou bloqué avec un tournevis plat.



- ⑤ Couper le fil de fixation déformé avec des tenailles.

Corriger la déformation.

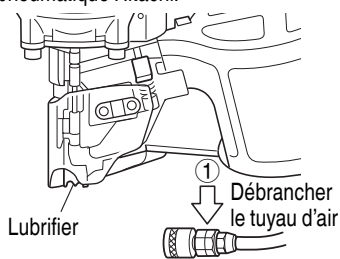
- ⑥ En cas de blocages fréquents, contacter un centre de réparation autorisé Hitachi.

2. Inspection du levier-poussoir

- ① DEBRANCHER LE TUYAU D'AIR.

- ② Nettoyer la partie coulissante du levier-poussoir.

La lubrifier avec le lubrifiant pour outil pneumatique Hitachi.

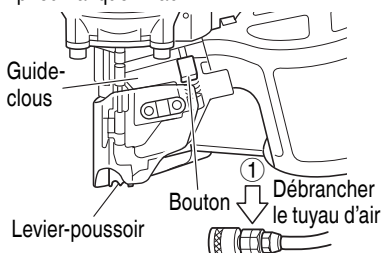


3. Inspection des chargeurs

- ① DEBRANCHER LE TUYAU D'AIR.

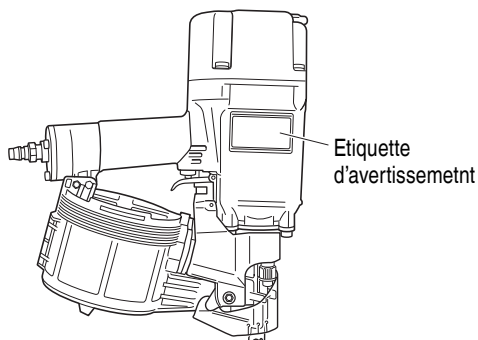
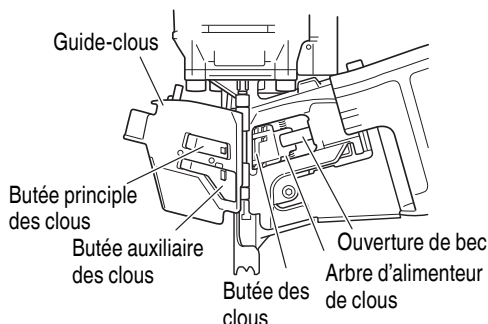
- ② Nettoyer la partie coulissante du bouton.

La lubrifier avec le lubrifiant pour outil pneumatique Hitachi.



- ③ Ouvrir le guide-clous et retirer la poussière.

Lubrifier la fente coulissante du chargeur et les arbres.



- ④ Lubrifier les surfaces de chargement du bec et le guide-clous après le nettoyage. Cela favorise un fonctionnement doux et protège de la rouille.

⚠ ATTENTION

- Vérifier que l'arrêt principal de clou et l'arrêt secondaire de clou coulissent sans offrir de résistance, ce qui peut être vérifié en les actionnant du doigt.

S'il existe une résistance, les clous risquent d'être chargés suivant une orientation anormale et ceci présente un risque d'accident aux personnes en présence.

4. Inspection du magasin

- ① DEBRANCHER LE TUYAU D'AIR.
- ② Nettoyer le magasin. Retirer la poussière ou les petits morceaux de bois qui se sont accumulés dans le magasin.

5. Remisage

- Si l'on ne se sert pas du cloueur pendant un certain temps, enduire ses pièces en acier d'une mince couche de graisse pour éviter toute corrosion.
- Ne pas remiser le cloueur dans un environnement froid.
Le laisser dans un endroit chaud.
- Lorsqu'on ne se sert pas du cloueur, le remiser dans un endroit chaud et sec.
Le ranger hors de portée des enfants.

6. ETIQUETTE D'AVERTISSEMENT

Remplacer l'ETIQUETTE D'AVERTISSEMENT si elle manque ou qu'elle est endommagée.

Se procurer une nouvelle ETIQUETTE D'AVERTISSEMENT auprès d'un service après-vente Hitachi agréé.

7. Tableau d'entretien (voir page 37)

8. Guide de dépannage de l'opérateur (voir page 38)

9. Liste des pièces de rechange

⚠ ATTENTION

- Les réparations, modifications et inspections des outils électriques Hitachi doivent être confiées à un service après-vente Hitachi agréé. Il sera utile de présenter cette liste de pièces au service après-vente Hitachi agréé lorsqu'on apporte un outil nécessitant des réparations ou tout autre entretien. Lors de l'utilisation et de l'entretien d'un outil électrique, respecter les règlements et les normes de sécurité en vigueur dans le pays en question.

MODIFICATIONS:

Les outils électriques Hitachi sont constamment améliorés et modifiés afin d'incorporer les tous derniers progrès technologiques.

En conséquence, il est possible que certaines pièces soient modifiées sans avis préalable.

ENTRETIEN ET REPARATIONS

AVERTISSEMENT

- **Les réparations du cloueur seront confiées exclusivement au personnel d'entretien formé par Hitachi, au distributeur ou à l'employeur.**
- **Pour les réparations, utiliser exclusivement des pièces fournies ou recommandées par Hitachi.**

Du fait de l'usure normale, les cloueurs de qualité finissent toujours par avoir besoin d'un entretien ou d'un remplacement de pièce.

REMARQUE: Les spécifications sont sujettes à modification sans préavis et sans aucune obligation de la part de HITACHI.

Tableau d'entretien

ACTION	POURQUOI	COMMENT
Purger le filtre de la ligne d'air tous les jours.	Eviter l'accumulation d'humidité et de poussière.	Ouvrir le robinet de purge manuel.
Veiller à ce que le lubrificateur soit toujours plein.	Maintenir le cloueur bien graissé.	Remplir d'huile de machine pneumatique Hitachi.
Nettoyer l'élément du filtre — puis souffler de l'air dans le filtre dans le sens inverse du débit normal.	Eviter le colmatage du filtre par la saleté.	Suivre les instructions du fabricant.
Nettoyer le magasin et le mécanisme de l'alimenteur de clous.	Eviter que les clous ne se coincent.	Nettoyer en soufflant de l'air tous les jours.
Veiller à ce que le levier-poussoir fonctionne toujours correctement.	Assurer la sécurité de l'opérateur et un fonctionnement efficace du cloueur.	Nettoyer en soufflant de l'air tous les jours.
Graisser le cloueur après l'utilisation.	Rallonger la durée de service du cloueur.	Mettre 5 ou 10 gouttes de graisse dans le cloueur.
Purger le compresseur d'air.	Maintenir le cloueur en bon ordre de marche.	Ouvrir le robinet de purge du réservoir du compresseur d'air.

Guide de dépannage de l'opérateur

En suivant le tableau ci-dessous, la plupart des problèmes mineurs pourront être corrigés rapidement et en toute facilité.

Si le problème persiste, contacter un service après-vente Hitachi agréé.

PROBLEME	VERIFICATION	CORRECTION
Le cloueur fonctionne, mais les clous ne s'enfoncent pas.	Vérifier si un clou est coincé.	Dégager le clou.
	Vérifier le fonctionnement de l'alimenteur de clous à la page 35.	Nettoyer et graisser.
	Le ressort à ruban est-il distendu ou endommagé?	Remplacer le ressort à ruban.
	Vérifier si l'on utilise les bons clous.	Utiliser uniquement les clous recommandés.
Entraînement faible. Cycle lent.	Vérifier la pression d'air.	Augmenter la pression d'air. (Ne pas dépasser 120 psi (8.3 bars 8.5 kgf/cm ² .)
	----	Utiliser une huile de machine pneumatique Hitachi.
	La lame d'entraînement est-elle usée?	Contacter Hitachi pour le remplacement.
	Le joint torique du piston est-il usé ou endommagé?	
Les clous s'enfoncent trop profondément.	Vérifier la pression d'air.	Réduire la pression d'air. (Régler sur 70 – 120 psi)
Certains clous sont sautés. Alimentation intermittente.	Vérifier si l'on utilise les bons clous.	Utiliser uniquement les clous recommandés.
	Vérifier le fonctionnement de l'alimenteur de clous à la page 35.	Nettoyer et graisser.
	Le ressort à ruban est-il distendu ou endommagé?	Remplacer le ressort à ruban.
	----	Utiliser une huile de machine pneumatique Hitachi.
	Le joint torique du piston est-il coupé ou très usé?	Contacter Hitachi pour le remplacement.
Des clous se coincent. Les clous enfoncés sont tordus.	Vérifier si l'on utilise les bons clous.	Utiliser uniquement les clous recommandés.
	La lame d'entraînement est-elle usée?	Contacter Hitachi pour le remplacement.
Les clous s'enfoncent bien normalement, mais pas complètement à des vitesses supérieures.	Vérifier le diamètre intérieur du tuyau d'air.	Utiliser un tuyau d'air plus large.

INFORMACIÓN IMPORTANTE SOBRE SEGURIDAD



Lea y comprenda el significado de las etiquetas de la herramienta y todas las instrucciones de funcionamiento, las precauciones de seguridad y las advertencias de este manual antes de realizar la operación o el mantenimiento de este clavador.

La negligencia en la observación de las advertencias puede producir la MUERTE o LESIONES DE GRAVEDAD.

La mayoría de los accidentes se ocurridos al utilizar o mantener este clavador se deben a la falta de tener en cuenta las normas de seguridad y precauciones básicas. Los accidentes podrán evitarse en muchos casos dándose cuenta de una situación peligrosa antes de que se produzca, y observando fielmente los procedimientos de seguridad apropiados.

Las precauciones básicas de seguridad se describen en la sección "SEGURIDAD" de este manual, y en las secciones que contienen las instrucciones sobre operación y mantenimiento.

Los riesgos que habrá que eludir para evitar lesiones o el daño de la máquina se identifican mediante PELIGRO y ADVERTENCIA en el clavador y en este manual.

No utilice NUNCA este clavador para aplicaciones que no sean las especificadas en este manual.

DEFINICIÓN DE LAS PALABRAS CLAVE

PELIGRO indica una situación inminentemente peligrosa que, si no se evita, puede resultar en lesiones serias o en la muerte.

ADVERTENCIA indica una situación potencialmente peligrosa que, si no se evita, puede resultar en lesiones serias o en la muerte.

PRECAUCIÓN indica una situación potencialmente peligrosa que, si no se evita, puede resultar en lesiones menores, o en el daño de la máquina.

NOTA enfatiza información esencial.

EXPLICACIÓN LA ACCIÓN DE CLAVADO DEL CLAVADOR HITACHI

○ MECANISMO DE ACTUACIÓN SECUENCIAL SIMPLE:

En primer lugar, presione la palanca de empuje contra la madera y, a continuación, jale el gatillo para introducir el clavo.

En primer lugar, jale el gatillo y, seguidamente, presione la palanca de empuje contra la madera para introducir el clavo.

Una vez que se introduzca un clavo, no se podrá volver a clavar hasta que suelte el gatillo y lo vuelva a presionar.

○ MECANISMO DE ACTUACIÓN POR CONTACTO:

En primer lugar, presione la palanca de empuje contra la madera y, a continuación, jale el gatillo para introducir el clavo.

En primer lugar, jale el gatillo y, seguidamente, presione la palanca de empuje contra la madera para que se introduzca el clavo.

Si mantiene el gatillo apretado, se introducirá un clavo cada vez que se presiona la palanca de empuje contra la madera.

SEGURIDAD

INSTRUCCIONES IMPORTANTES DE SEGURIDAD PARA LA UTILIZACIÓN DEL CLAVADOR

LEA TODAS LAS INSTRUCCIONES

⚠ PELIGRO

- 1. LOS OPERADORES Y DEMÁS PERSONAS QUE SE ENCUENTREN EN EL ÁREA DE TRABAJO DEBEN USAR GAFAS PROTECTORAS CON BLINDAJES LATERALES.**



Antes de utilizar el clavador, utilice siempre gafas protectoras con blindajes laterales, y asegúrese de que también sea utilizada por todas las personas que se encuentren en el área de trabajo.

Las gafas protectoras deberán estar de acuerdo con los requisitos del Instituto de Normas Nacionales Americanas, ANSI Z87.1 y proporcionar protección contra las partículas despedidas desde la parte frontal y posterior.

El empresario deberá hacer que el operador del clavador y demás personas que se encuentren en el área de trabajo utilicen en todo momento gafas protectoras.

- 2. NO UTILICE NUNCA OXÍGENO NI OTROS GASES EMBOTELLADOS. PODRÍA PRODUCIRSE UNA EXPLOSIÓN.**



No utilice nunca bombonas de oxígeno, gases combustibles, etc. como fuente de propulsión de este clavador.

La utilización de estos gases, o de otros gases embotellados, es peligrosa, ya que el clavador podría explotar.

Utilice solamente aire comprimido limpio, seco, y regulado.

⚠ ADVERTENCIA

- 3. NO DIRIJA NUNCA LA HERRAMIENTA HACIA SÍ MISMO O HACIA OTRAS PERSONAS DEL ÁREA DE TRABAJO.**



Piense siempre que el clavador puede tener clavos cargados.

No dirija nunca el clavador hacia sí mismo o hacia otras personas, independientemente de que contenga o no clavos.

Si utilizase los clavos incorrectamente, podrían producirse lesiones serias.

No juegue nunca con el clavador.

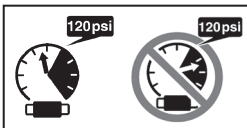
Trate el clavador como herramienta de trabajo.

Transporte siempre el clavador por la empuñadura solamente.

- 5. ES IMPORTANTE LA ELECCIÓN DE MÉTODO DE ACTIVACIÓN.**

Lea y comprenda la sección titulada "MÉTODOS DE OPERACIÓN". (páginas 51 – 53)

- 6. NO SOBREPASE 120 psi. (8.3 barías 8.5 kgf/cm²)**



No sobrepase nunca la presión de aire máxima recomendada de 120 psi (8.3 barías 8.5 kgf/cm²).

No conecte nunca el clavador a una presión que pueda sobrepasar potencialmente 200 psi (13.7 barías 14 kgf/cm²) ya que el clavador podría explotar.

- 4. PARA EVITAR UN DISPARO ACCIDENTAL, MANTENGA SUS DEDOS ALEJADOS DEL DISPARADOR CUANDO NO SE ESTÁN METIENDO LOS SUJETADORES.**

No transporte nunca el clavador con el dedo en el gatillo, porque podría lanzar un clavo y lesionarse usted mismo o a otra persona.

SEGURIDAD — Continuación

ADVERTENCIA

- 7. UTILICE SIEMPRE PROTECTORES PARA LOS OÍDOS Y LA CABEZA.**
 Utilice siempre protectores para los oídos contra el ruido fuerte.
 Utilice siempre un protector para la cabeza con objetos que puedan salir disparados.
- 8. GUARDE ADECUADAMENTE EL CLAVADOR.**
 Cuando no vaya a utilizar el clavador, guárdelo en un lugar seco. Manténgalo alejado de los niños. Cierre con llave el lugar de almacenamiento.
- 9. MANTENGA EL ÁREA DE TRABAJO LIMPIA.**
 Las áreas desordenadas pueden provocar lesiones. Limpie bien el área de trabajo, apartando herramientas innecesarias, residuos, muebles, etc.
- 10. NO UTILICE EL CLAVADOR CERCA DE LÍQUIDOS INFLAMABLES NI DE GASES.**
 El clavador produce chispas durante la operación. No utilice nunca el clavador en lugares en los que haya laca, pintura, bencina, diluidor de pintura, gasolina, gases, productos adhesivos, ni demás materiales combustibles o explosivos.
- 11. MANTENGA A LOS VISITANTES ALEJADOS.**
 No permita que los visitantes toquen el clavador. Todos los visitantes deberán permanecer alejados del área de trabajo.
- 12. VÍSTASE ADECUADAMENTE.**
 No utilice ropa floja ni joyas, ya que podrían pillarse en las partes móviles.
 Para trabajar en exteriores se recomienda utilizar guantes de goma y calzado no deslizante.
 Si tiene el pelo largo, utilice un protector para recogerse.
- 13. NO UTILICE NUNCA UN ACOPLADOR SIN DESCARGA CON EL CLAVADOR.**
 Si utilizase un acoplador sin descarga con el clavador, éste podría permanecer cargado con aire después de haberlo desconectado y, por lo tanto, disparar un clavo incluso después de haberlo desconectado.
 El clavador y la manguera de aire deben contar con un acople de manguera, de manera que se pueda remover toda la presión del clavador al desconectar la junta de acoplamiento.
- 14. COMPRUEBE LA PALANCA DE EMPUJE ANTES DE LA UTILIZACIÓN.**
 Cerciórese de que la palanca de empuje funcione adecuadamente. (La palanca de empuje puede denominarse “Seguridad”.) No utilice nunca el clavador a menos que la palanca de empuje funcione adecuadamente, ya que de lo contrario el clavador podría disparar inesperadamente un clavo. No cambie ni quite la palanca de empuje.
- 15. MANTENGA TODOS LOS TORNILLOS Y CUBIERTAS BIEN APRETADOS EN SU LUGAR.**
 Mantenga todos los tornillos y cubiertas firmemente apretados. Compruebe periódicamente su condición. No utilice nunca el clavador si hay piezas perdidas o dañadas.
- 16. NO CARGUE CLAVOS CON EL GATILLO O LA PALANCA DE EMPUJE PRESIONADA.**
 Cuando cargue clavos en el clavador, o cuando conecte la manguera de aire,
 1) no apriete el gatillo,
 2) no presione la palanca de empuje, ni
 3) mantenga el clavador apuntado hacia abajo.
- 17. MANTENGA LAS MANOS Y LOS PIES ALEJADOS DE LA CABEZA DE SALIDA DE LOS CLAVOS DURANTE LA UTILIZACIÓN.**
 No coloque sus manos ni pies a menos de 8" (200 mm) de la cabeza de salida de los clavos.
 Si la pieza de trabajo desvía los clavos o si éstas salen del punto de introducción puede sufrir lesiones serias.
- 18. COLOQUE EL CLAVADOR ADECUADAMENTE SOBRE LA PIEZA DE TRABAJO.**
 No clave un clavo sobre otro, ni con el clavador con un ángulo demasiado agudo, ya que los clavos podrían rebotar y herir a alguien.
- 19. ANTES DE EMPEZAR A TRABAJAR, VERIFIQUE EL DISPOSITIVO DE CONMUTACIÓN PARA LA OPERACIÓN DE CLAVADO.**
 Este clavador Hitachi incluye un dispositivo de conmutación para la operación de clavado.
 Antes de empezar a trabajar, verifique el ajuste del dispositivo de conmutación para la operación de clavado.

SEGURIDAD — Continuación

ADVERTENCIA

Si el dispositivo de conmutación para la operación de clavado no está debidamente ajustado, el clavador no funcionará correctamente.

20. TENGA CUIDADO CON EL DOBLE DISPARO DEBIDO AL CULATEO.

Si la palanca de empuje vuelve a entrar en contacto accidentalmente con la pieza de trabajo, producirá un culateo, y saldrá disparado un clavo inesperado.

Para evitar este doble disparo,

- Operación intermitente (disparo con el gatillo)
 - 1) Ajuste el mecanismo de conmutación a MECANISMO DE ACTUACIÓN SECUENCIAL SIMPLE.
 - 2) Jale el gatillo rápida y firmemente.
- Operación continua (disparo con la palanca de empuje)
 - 1) No presione el clavador contra la madera con una fuerza excesiva.
 - 2) Después de efectuar el clavado, retire el clavador de la madera para evitar la reculada.

21. NO CLAVE EN PANELES FINOS, NI CERCA DE LAS ESQUINAS NI LOS BORDES DE LA PIEZA DE TRABAJO.

Los clavos podrían atravesar la pieza de trabajo y herir a alguien.

22. NO CLAVE NUNCA CLAVOS DESDE AMBOS LADOS DE UNA PARED AL MISMO TIEMPO.

Los clavos podrían traspasar el panel y lesionar a la persona que se encuentra en el lado opuesto.

23. COMPRUEBE SI HAY CABLES ACTIVOS.

Evite el riesgo de descargas eléctricas comprobando si hay cables activos escondidos en paredes, suelos, o techos. Abra el disyuntor para asegurarse de que no queden cables activos.

24. NO TRANSPORTE NUNCA EL CLAVADOR POR EL MORRO.

25. NO SE EXTRALIMITE.

Mantenga en todo momento un buen equilibrio.

26. NO UTILICE NUNCA UN CLAVADOR DEFECTUOSO O QUE FUNCIONE INCORRECTAMENTE.

Si el clavador parece funcionar anormalmente, si produce ruidos extraños, etc., deje de utilizarlo inmediatamente y solicite su reparación a un centro de servicio autorizado por Hitachi.

27. NO DESCONECTE LA MANGUERA DE AIRE DEL CLAVADOR CON UN DEDO PUESTO EN EL GATILLO.

El clavador podría disparar un clavo cuando reconectase el suministro de aire.

28. DESCONECTE LA MANGUERA DE AIRE DEL CLAVADOR CUANDO:

- 1) realice trabajos de mantenimiento e inspección,
- 2) tenga que desatascarlo,
- 3) no vaya a utilizarlo,
- 4) abandone el área de trabajo,
- 5) lo traslade a otro lugar, y
- 6) vaya a entregárselo a otra persona.

No intente nunca desatascar ni reparar el clavador sin haber desconectado primero la manguera de aire del mismo, y sin haberle quitado todas los clavos.

No deje nunca el clavador desatendido, porque personas no familiarizadas con él podrían utilizarlo y sufrir lesiones.

29. PERMANEZCA ALERTA.

Tenga en cuenta lo que esté haciendo. Utilice el sentido común.

No utilice el clavador cuando esté cansado. No utilice nunca el clavador si se encuentra bajo la influencia del alcohol, drogas, o medicinas que le produzcan somnolencia.

30. MANEJE CORRECTAMENTE EL CLAVADOR.

Maneje el clavador de acuerdo con las instrucciones de este manual.

No permita nunca que los niños, personas no familiarizadas o no autorizadas, toquen el clavador.

31. NO UTILICE NUNCA EL CLAVADOR PARA APLICACIONES QUE NO SEAN LAS ESPECIFICADAS EN ESTE MANUAL.

SEGURIDAD — Continuación

ADVERTENCIA

32. MANEJE EL CLAVADOR CON CUIDADO.

Debido a la alta presión de aire del clavador, las rajaduras en su superficie pueden resultar peligrosas. Para evitar esto, no deje caer el clavador ni lo golpee contra superficies duras, y no grave nada en el mismo. Maneje cuidadosamente el clavador.

33. MANTENGA EL CLAVADOR CON CUIDADO.

Mantenga el clavador limpio y lubricado para que rinda al máximo y con la mayor seguridad.

34. UTILICE SOLAMENTE LAS PIEZAS, ACCESORIOS, Y CLAVOS QUE SUMINISTRE O RECOMIENDE HITACHI.

Las piezas, accesorios, o clavos no autorizados pueden anular la garantía y provocar el mal funcionamiento, lo que podría resultar en lesiones. El clavador solamente deberá ser reparado por Hitachi, un distribuidor, o el empresario.

35. NO MODIFIQUE NI ALTERE NUNCA EL CLAVADOR.

Si lo hiciese podría funcionar mal y provocar lesiones.

INSTRUCCIONES IMPORTANTES DE SEGURIDAD PARA UTILIZAR EL CLAVADOR DE RISTRA NV83A3

ADVERTENCIA

1. NO quite el tapón guardapolvo.

Podrían salir despedidos fragmentos del alambre que une los clavos.

2. CIERRE LA GUÍA DE LOS CLAVOS Y NO LA ABRA DURANTE LA OPERACIÓN.

Si clavase clavos con la guía de la misma abierta, éstas podrían desviarse en la pieza de trabajo.

RESPONSABILIDADES DEL EMPRESARIO

- Asegúrese de que este MANUAL esté al alcance de los operadores y del personal de mantenimiento.
- Asegúrese de que el clavador se utilice solamente cuando el operador y demás personas que se encuentren en el área de trabajo estén utilizando GAFAS PROTECTORAS PARA LOS OJOS.
- Recalque que el operador y las demás personas que se encuentren en el área de trabajo necesitan utilizar GAFAS PROTECTORAS PARA LOS OJOS.
- Mantenga el clavador en un orden de funcionamiento seguro.
- Mantenga adecuadamente el clavador.
- Si un clavador necesita reparación, no lo utilice.

**¡GUARDE ESTE MANUAL
AL ALCANCE DE CUALQUIERA!**

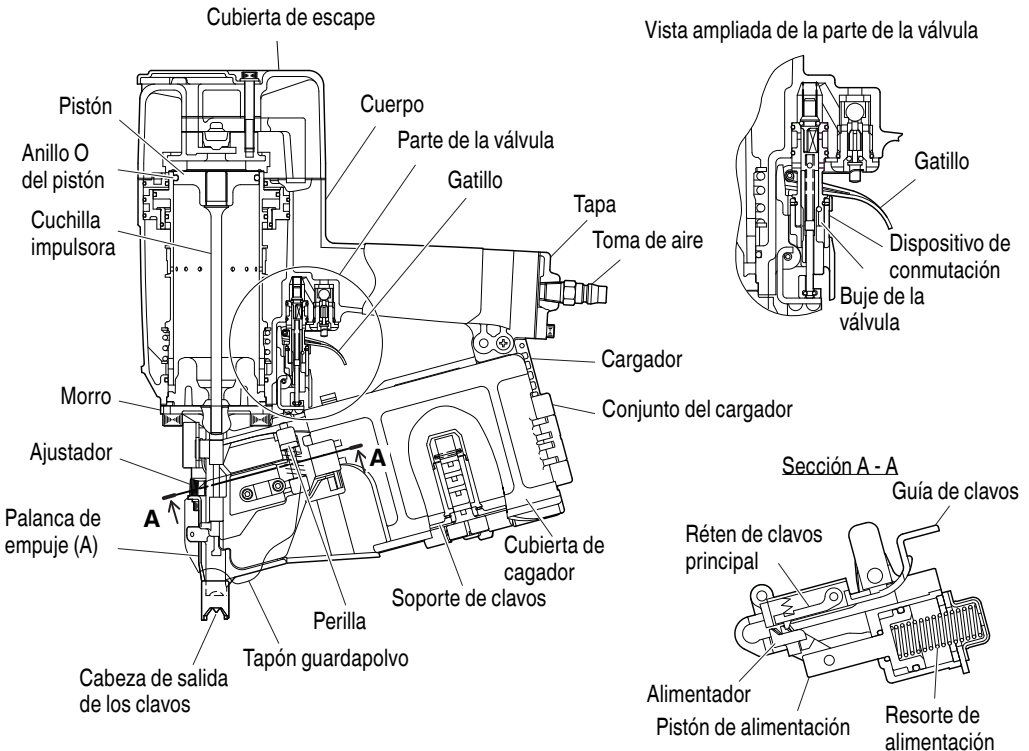
OPERACIÓN

NOTA: La información contenida en este manual ha sido diseñada para ayudarle a utilizar con seguridad este clavador.

Algunas de las ilustraciones de este manual pueden mostrar detalles o accesorios diferentes a los de su propio clavador.

NOMENCLATURA

Dispositivo de conmutación para la operación de clavado	
 <p>Dispositivo de conmutación</p> <p>MECANISMO DE ACTUACIÓN SECUENCIAL SIMPLE (Dispositivo de conmutación: posición hacia la izquierda)</p>	 <p>Dispositivo de conmutación</p> <p>MECANISMO DE ACTUACIÓN POR CONTACTO (Dispositivo de conmutación: posición hacia la derecha)</p>



ESPECIFICACIONES

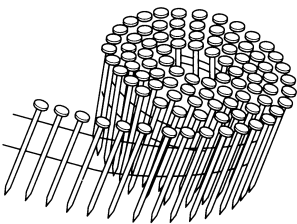
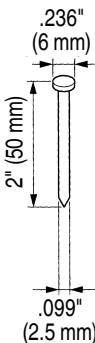
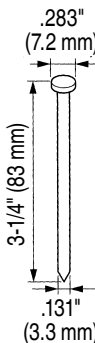
Presión de operación	70 – 120 psi (4.9 – 8.3 barías, 5 – 8.5 kgf/cm ²)
Dimensiones Longitud x Altura x Anchura	12-13/32" x 13-11/16" x 5-13/32" (315 mm x 348 mm x 137 mm)
Peso	8.2 libras (3.7 kg)
Capacidad de clavos	200 – 300 clavos (1 ristra)
Consumo de aire	.088 pies ³ /ciclo a 100 psi (2.5 litros/ciclo a 6.9 barías) (2.5 litros/ciclo a 7 kgf/cm ²)
Entrada de aire	Rosca 3/8 NPT

SELECCIÓN DE CLAVOS

⚠ ADVERTENCIA

- Asegúrese de usar únicamente puntas legítimas Hitachi para el NV83A3. El uso de otras puntas puede producir un fallo de funcionamiento de la herramienta y/o la rotura de la punta, lo provocaría a su vez lesiones de gravedad.

Con este clavador solamente podrán utilizarse los clavos indicados en la tabla siguiente.

 <p>Clavos en ristra unidas con alambre</p>	<p>Min.</p>  <p>.236" (6 mm)</p> <p>2" (50 mm)</p> <p>.099" (2.5 mm)</p>	<p>Máx.</p>  <p>.283" (7.2 mm)</p> <p>3-1/4" (83 mm)</p> <p>.131" (3.3 mm)</p>

ACCESORIOS

⚠ ADVERTENCIA

- Los accesorios que no sean los mostrados a continuación pueden provocar el mal funcionamiento del clavador y resultar en lesiones.

ACCESORIOS ESTÁNDAR



- ① Gafas protectoras para los ojos 1

ACCESORIOS OPCIONALES

... vendido aparte

- Lubricante para herramientas neumáticas
Aceitador de .8 onzas. (25 cc)
(Núm. de código 877153)
- Aceitador de 4 onzas. (120 cc)
(Núm. de código 874042)
- Lata de 1 cuarto de galón (1 litro)
(Núm. de código 876212)

NOTA: Los accesorios están sujetos a cambio sin ninguna obligación por parte de HITACHI.

APLICACIONES

- Trabajos de construcción de madera como puedan ser suelos y marcos de paredes, balcones, estructuras de suelos.
- Construcción de casas móviles y modulares.
- Confección de cajas de madera, tarimas y tambores.
- Operaciones de embalaje en plantas de fabricación y otros tipos de embalajes y trabajos de cajas y jaulas en general.

ANTES DE LA OPERACIÓN

Lea la sección titulada “SEGURIDAD” (páginas 40 - 43).

Antes de la utilización, cerciőrese de lo siguiente.

ENTORNO DE TRABAJO

⚠ ADVERTENCIA

- En el lugar de trabajo no deberá haber gases, líquidos, ni demás objetos inflamables.
- No permita que en el área de trabajo haya niños ni demás personas no autorizadas.

SUMINISTRO DE AIRE

⚠ PELIGRO



- No utilice NUNCA oxígeno ni otros gases embotellados. Podría producirse una explosión.

⚠ ADVERTENCIA

- No conecte nunca el clavador a una presión que pueda sobrepasar potencialmente 200 psi (13.7 barías 14 kgf/cm²).

● No utilice nunca un acoplador sin descarga con el clavador.

1. Fuente de propulsión
 - Utilice solamente aire comprimido limpio, seco, y regulado como fuente de propulsión para este clavador.
 - Los compresores de aire para suministrar aire comprimido a este clavador deberán cumplir los requisitos de la última versión de la norma B 19.3 ANSI “Normas de Seguridad para Compresores para Industrias de Procesos”.
 - La humedad o el aceite en el compresor de aire puede acelerar el desgaste y la corrosión del clavador. Drénelo diariamente.
2. Filtro-Regulador-Lubricador
 - Utilice un regulador con una presión de 0 – 120 psi (0 – 8.3 barías 0 – 8.5 kgf/cm²).
 - Las unidades de filtro-regulador-lubricador ofrecen la condición óptima para el clavador y prolongan su duración útil.

Estas unidades deberán utilizarse siempre.

Filtro.....El filtro elimina la humedad y la suciedad del aire comprimido.

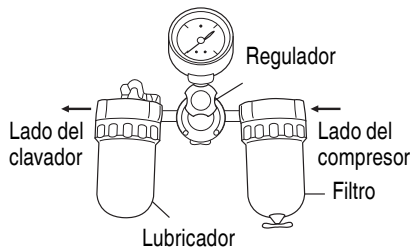
Drene diariamente el clavador a menos que tenga instalado un dispositivo de drenado automático.

Mantenga limpio el filtro realizando regularmente su mantenimiento.

Regulador.....El regulador controla la presión de operación para poder utilizar con seguridad el clavador.

Inspeccione el regulador antes de la operación a fin de asegurarse de que funcione adecuadamente.

Lubricador...El lubricador rocía aceite al clavador. Inspeccione el lubricador antes de utilizarlo para comprobar si el suministro de lubricante es adecuado. Utilice lubricante para herramientas neumáticas Hitachi.



3. Manguera de aire
La manguera de aire deberá poder resistir una presión mínima de 150 psi (10.4 barías 10.6 kgf/cm²) o el 150% de la presión máxima producida en el sistema, el valor más alto sea.
4. Consumo de aire
Utilizando la tabla de consumo de aire y la fórmula de tamaño del compresor de aire, busque el tamaño de compresor correcto.

Tabla de consumo de aire

Presión de operación	psi (barías) (kgf/cm ²)	80 (5.5) (5.6)	90 (6.2) (6.3)	100 (6.9) (7)
Consumo de aire	pies ³ /ciclo (litros/ciclo)	.062 (1.7)	.075 (2.1)	.088 (2.5)

Fórmula de tamaño del compresor

Cantidad de aire requerida

= número de clavadores

× promedio de clavos clavados cada minuto por clavadador

× consumo de aire a la presión dada

× factor de seguridad (siempre 1.2)

Ejemplo: 2 clavadores funcionando a 100 psi para clavar 30 clavos por minuto

Cantidad de aire requerida

= 2 × 30 × .088 (2.5) × 1.2

= 6.3 CFM ((pies³/min) (180 litros/min)

Después de haber realizado los cálculos indicados arriba, tendrá que buscar un compresor que proporcione 6.3 CFM de aire, que es el valor requerido.

LUBRICACIÓN

Es muy importante que el clavadador esté adecuadamente lubricado.

Sin la lubricación apropiada, el clavadador no trabajará correctamente y las piezas se desgastarán prematuramente.

- Utilice lubricante para herramientas neumáticas Hitachi.
No utilice aceite detergente ni aditivos. Estos lubricantes dañarían las juntas tóricas y demás piezas de caucho. Esto haría que el clavadador funcionase mal.
- Habrá que utilizar siempre unidades de filtro-regulador-lubricador.
Mantenga el lubricador lleno con lubricante para herramientas neumáticas Hitachi.
- Si no dispone de lubricador, aplique 5 – 10 gotas de lubricante para herramientas neumáticas Hitachi a la entrada de aire del clavadador dos veces al día.

CUIDADOS PARA CLIMAS FRÍOS

- No guarde el clavadador en lugares fríos.
Déjelo en un lugar cálido antes de comenzar a trabajar.
- Si el clavadador está frío, póngalo en un lugar cálido y deje que se caliente antes de utilizarlo.
 - ① Reduzca la presión de aire a 64 psi (4.4 barías 4.5 kgf/cm²).
 - ② Quite todos los clavos del clavadador.
 - ③ Conecte la manguera de aire y dispare (disparo en vacío) el clavadador.
La reducción de la presión de aire será suficiente para disparar en vacío el clavadador.
La operación a baja velocidad tiende a calentar las partes móviles.

⚠ PRECAUCIÓN

- No dispare en vacío el clavadador a alta presión.

PRUEBA DEL CLAVADOR

⚠ PELIGRO



- Los operadores y demás personas que se encuentren en el área de trabajo DEBEN usar gafas protectoras con blindajes laterales que cumplan con las especificaciones ANSI Z87.1.

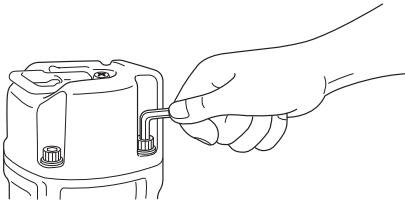
⚠ ADVERTENCIA

- No utilice nunca el clavadador a menos que la palanca de empuje funcione adecuadamente.

Antes de comenzar el trabajo, pruebe el clavadador utilizando la lista de comprobaciones siguiente. Realice las comprobaciones en el orden indicado.

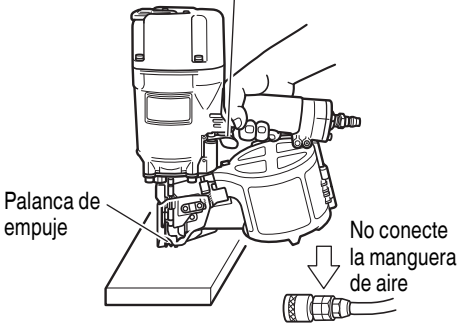
Si se produce alguna operación anormal, deje de utilizar el clavadador y póngase inmediatamente en contacto con un centro de reparaciones autorizado por Hitachi.

- (1) DESCONECTE LA MANGUERA DE AIRE DEL CLAVADOR.
QUITE TODOS LOS CLAVOS DEL CLAVADOR.
 - ☐ TODOS LOS TORNILLOS DEBERÁN ESTAR APRETADOS.
Si hay algún tornillo flojo, apriételo.



LA PALANCA DE EMPUJE DEBERÁ PODER ACCIONARSE SIN DIFICULTAD.

Gatillo



Palanca de empuje

No conecte la manguera de aire

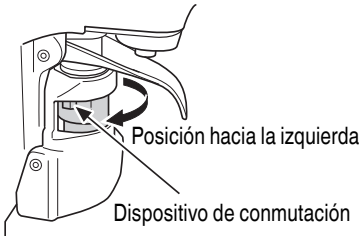
(2) Ajuste la presión del aire a 70 psi (4.9 barías 5 kgf/cm²).

Conecte la manguera de aire.

No cargue clavos en el clavador.

Ajuste el dispositivo de conmutación a la posición hacia la izquierda (MECANISMO DE ACTUACIÓN SECUENCIAL SIMPLE).

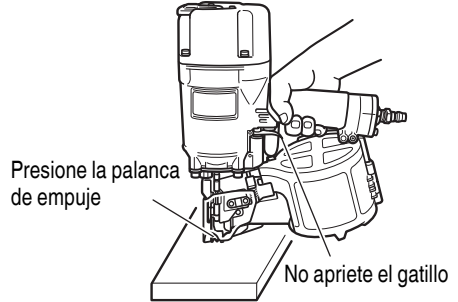
(Ajuste el dispositivo de conmutación a la posición completamente hacia la izquierda, tal como se muestra en el diagrama. De lo contrario, no funcionará correctamente.)



EL CLAVADOR NO DEBERÁ TENER FUGAS DE AIRE.

(3) Retire el dedo del disparador y presione la palanca de empuje contra la madera.

EL CLAVADOR NO DEBERÁ FUNCIONAR.

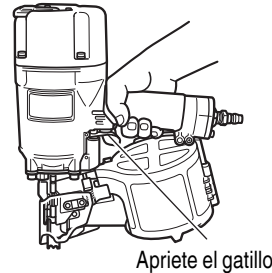


Presione la palanca de empuje

No apriete el gatillo

(4) Retire la palanca de empuje de la madera. Seguidamente, dirija el clavador hacia abajo, jale el gatillo y espere en esa posición durante 5 segundos o más.

EL CLAVADOR NO DEBERÁ FUNCIONAR.



Apriete el gatillo

(5) ① Sin tocar el gatillo, presione la palanca de empuje contra la pieza de trabajo. Apriete el gatillo.

EL CLAVADOR DEBERÁ FUNCIONAR.

② Sostenga el gatillo hacia atrás el gatillo mientras retira la palanca de empuje de la madera.

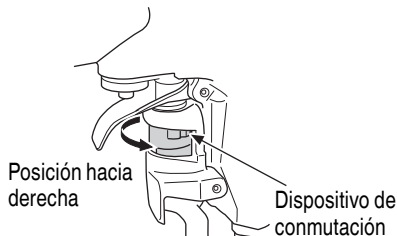
El clavador permanece en estado activado (la hoja del impulsor permanecerá en la parte inferior).

③ Retire el dedo del disparador.

La operación del clavador finalizará (la hoja del impulsor volverá a la posición superior).

(6) Ajuste el dispositivo de conmutación a la posición hacia la derecha (MECANISMO DE ACTUACIÓN POR CONTACTO).

(Ajuste el dispositivo de conmutación a la posición completamente hacia la derecha, tal como se muestra en el diagrama. De lo contrario, no funcionará correctamente.)



Con el clavador fuera de la pieza de trabajo, usted podrá cargar clavos en el mismo. Inserte clavos en la pieza de trabajo adecuados a la aplicación.

EL CLAVADOR DEBERÁ FUNCIONAR.

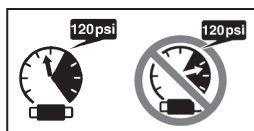
(7) Si no observa nada anormal, cargue clavos en el clavador.

Clave en la pieza de trabajo los mismos clavos que vaya a utilizar en la aplicación real.

EL MARTILLO AUTOMÁTICO DEBERÁ FUNCIONAR ADECUADAMENTE.

AJUSTE DE LA PRESIÓN DE AIRE

⚠ ADVERTENCIA



● No sobrepase 120 psi (8.3 barías 8.5 kgf/cm²).

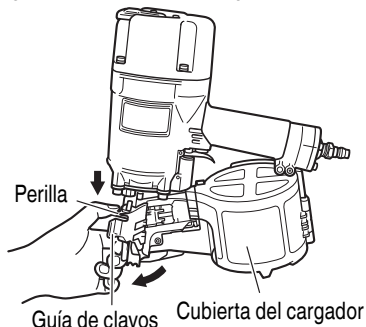
Ajuste la presión del aire al valor recomendado, 70 – 120 psi (4.9 – 8.3 barías 5 – 8.5 kgf/cm²) de acuerdo con la longitud de los clavos y la dureza de la pieza de trabajo. La presión de aire correcta es la más baja con la que pueda realizarse el trabajo. La utilización del clavador con una presión de aire más alta de la requerida lo forzarán innecesariamente.

CARGA DE CLAVOS

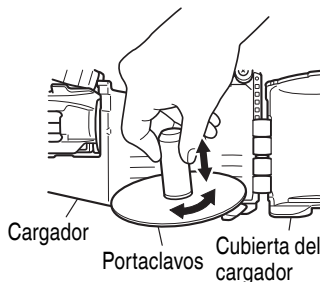
⚠ ADVERTENCIA

- Cuando cargue los clavos en el clavador,
 - 1) no apriete el gatillo,
 - 2) no apriete la palanca de empuje, y
 - 3) mantenga el clavador apuntando hacia abajo.

- (1) Sujete la guía de clavos y la perilla con los dedos. Presione la perilla hacia abajo y abra la guía de clavos. Luego abra la cubierta del cargador.

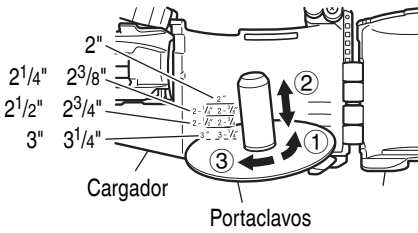


- (2) Ajuste la posición de la placa de acuerdo con la longitud de los clavos. Los clavos no serán alimentados correctamente sin haber ajustado debidamente la placa.

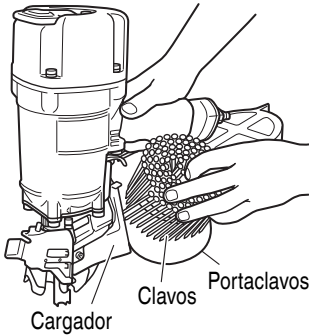


NOTA: Antes de cargar los clavos en el cargador, ajuste la placa. Si se cerrara la cubierta a la fuerza, sin ajustar correctamente la placa, sea podrá dañar el portaclavos.

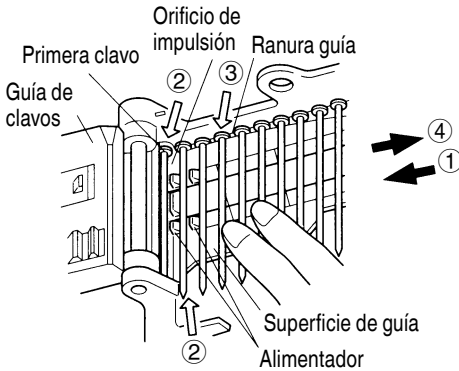
- ① Gire el portaclavos aproximadamente 90 grados en el sentido contrario a las agujas del reloj.
- ② Deslice en la dirección vertical posible. Levante o baje el portaclavos según las diferentes longitudes de los clavos.
- ③ Ajuste la placa guiándose por los puntos de referencia de la longitud de los clavos de la cubierta del cargador, y gire el portaclavos 90 grados en el sentido de las agujas del reloj hasta escuchar un "clic".



- (3) Coloque el rollo de clavos dentro del cargador. Desenrolle el número de clavos necesario hasta llegar al orificio de impulsión.

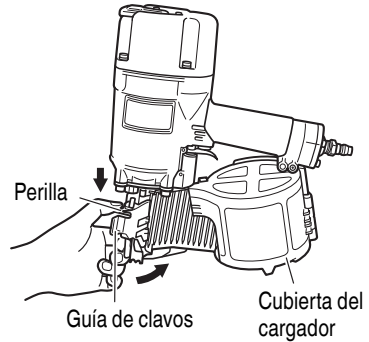


- (4) ① Desbobine suficientes clavos para llegar al orificio de impulsión.
 ② Inserte la primera clavo en el orificio de impulsión y la segunda entre las dos uñas del alimentador.
 ③ Fije las cabezas de las clavos en la ranura guía.



- ④ Empujando las clavos hacia la derecha, oscile la guía de clavos para cerrarla.
 (5) Cierre primero la cubierta del cargador y cierre la guía de clavos.

- (6) Bloquee correctamente la perilla.



NOTA: Tenga cuidado de no deformar los alambres intercalados ni de desenganchar los clavos de la superficie de guía. De lo contrario, la guía de clavos no se podrá cerrar correctamente.

OPERACIÓN DEL CLAVADOR

Lea la sección titulada “SEGURIDAD” (páginas 40 – 43).

⚠ PELIGRO



- Los operadores y demás personas que se encuentren en el área de trabajo **DEBEN** usar gafas protectoras con blindajes laterales que cumplan con las especificaciones ANSI Z87.1.

⚠ ADVERTENCIA



- No dirija **NUNCA** la herramienta hacia sí mismo o hacia otras personas del área de trabajo.
- Para evitar un disparo accidental, mantenga los dedos **ALEJADOS** del gatillo disparador cuando no se esté usando la herramienta.
- Es importante la elección de método de activación.
 Por favor lea y comprenda los “Métodos de operación” descritos más abajo.

- Antes de empezar a trabajar, verifique el dispositivo de conmutación para la operación de clavado.

Este clavador Hitachi incluye un dispositivo de conmutación para la operación de clavado.

Antes de empezar a trabajar, verifique el ajuste del dispositivo de conmutación para la operación de clavado.

Si el dispositivo de conmutación para la operación de clavado no está debidamente ajustado, el clavador no funcionará correctamente.

- No coloque sus manos ni pies a menos de 8" (200 mm) de la cabeza de salida de los clavos.
- No clave un clavo sobre otro, ni con el clavador con un ángulo demasiado agudo, ya que los clavos podrían rebotar y herir a alguien.
- No clave clavos en paneles finos ni cerca de esquinas ni bordes de la pieza de trabajo. Los clavos podrían traspasar la pieza de trabajo y lesionar a alguien.
- No clave nunca clavos desde ambos lados de una pared al mismo tiempo. Los clavos podrían traspasar la pared y lesionar a la persona de la otra parte.
- No utilice nunca un clavador defectuoso o que funcione anormalmente.
- No utilice el clavador a modo de martillo normal.
- Desconecte la manguera de aire del clavador cuando:
 - 1) no vaya a utilizarlo,
 - 2) vaya a abandonar el área de trabajo,
 - 3) vaya a trasladarse a otro lugar, y
 - 4) vaya a entregárselo a otra persona.

Este clavador Hitachi está equipado con un dispositivo de conmutación para la operación de clavado.

Utilice el MECANISMO DE ACTUACIÓN SECUENCIAL SIMPLE o el MECANISMO DE ACTUACIÓN POR CONTACTO de acuerdo con la tarea que se va a realizar.

Explicación sobre las diversas operaciones de clavado

- MECANISMO DE ACTUACIÓN SECUENCIAL SIMPLE: En primer lugar, presione la palanca de empuje contra la pieza de trabajo y, a continuación, jale el gatillo para introducir el clavo.

Una vez que se introduzca un clavo, no se podrá volver a clavar hasta que suelte el gatillo y lo vuelva a presionar.

- MECANISMO DE ACTUACIÓN POR CONTACTO: En primer lugar, presione la palanca de empuje contra la madera y, a continuación, jale el gatillo para introducir el clavo.

En primer lugar, jale el gatillo y, seguidamente, presione la palanca de empuje contra la madera para que se introduzca el clavo.

Si mantiene el gatillo apretado, se introducirá un clavo cada vez que se presiona la palanca de empuje contra la madera.

MÉTODOS DE OPERACIÓN

Este clavador está equipado con una palanca de empuje, y no funcionará a menos que ésta esté presionada (posición hacia arriba).

Existen dos métodos de operación para clavar clavos con este clavador.

Estos métodos son:

1. Operación intermitente (Disparo con el gatillo):
2. Operación continua (Disparo con la palanca de empuje):

- (1) Operación intermitente (Disparo con el gatillo)
Utilice el ajuste del MECANISMO DE ACTUACIÓN SECUENCIAL SIMPLE.

⚠ ADVERTENCIA

- Para una operación intermitente, ajuste el dispositivo de conmutación a la posición completamente hacia la izquierda. (Es decir, ajuste a MECANISMO DE ACTUACIÓN SECUENCIAL SIMPLE.)

- Para evitar el doble disparo o el disparo accidental debido a la reculada.

- 1) Ajuste el mecanismo de conmutación a MECANISMO DE ACTUACIÓN SECUENCIAL SIMPLE.

- 2) Jale el gatillo rápida y firmemente.

- ① Ajuste el dispositivo de conmutación a la posición hacia la izquierda (para ajustar a MECANISMO DE ACTUACIÓN SECUENCIAL SIMPLE).

(Ajuste el dispositivo de conmutación a la posición completamente hacia la izquierda, tal como se muestra en el diagrama. De lo contrario, se ajustará a MECANISMO DE ACTUACIÓN POR CONTACTO).

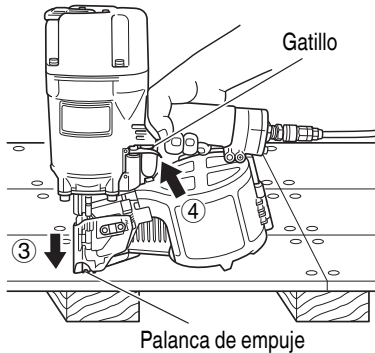
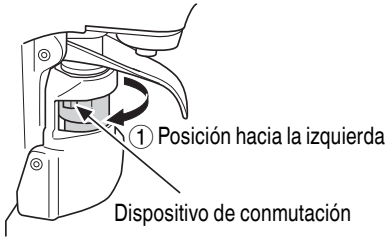
- ② Coloque la salida de los clavos sobre la pieza de trabajo con el dedo fuera del gatillo.

- ③ Presione a fondo la palanca de empuje.

- ④ Apriete el gatillo para clavar el clavo.

- ⑤ Separe el dedo del gatillo.

Para continuar clavando en un lugar separado, mueva el clavador a lo largo de la madera, repitiendo los pasos ② - ⑤, según se requiera.



⚠ ADVERTENCIA

- Se dispara un clavo cada vez que se presiona el gatillo, siempre que la palanca de empuje permanezca presionada.

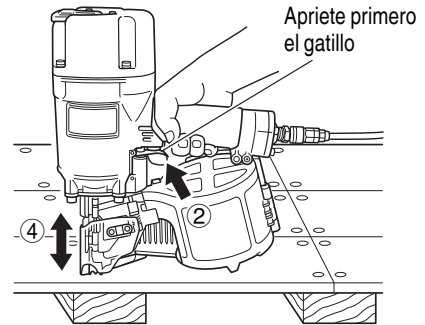
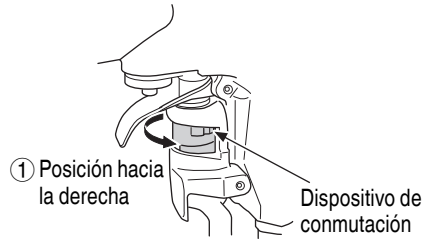
- (2) Operación continua (Disparo con la palanca de empuje)
Utilización del MECANISMO DE ACTUACIÓN POR CONTACTO

⚠ ADVERTENCIA

- Para evitar el doble disparo o el disparo accidental debido a la reculada.
- 1) No presione el clavador contra la madera con una fuerza excesiva.
- 2) Retire el clavador de la madera después de efectuar el clavado.
- ① Ajuste el dispositivo de conmutación a la posición hacia la derecha (para ajustar al MECANISMO DE ACTUACIÓN POR CONTACTO). (Ajuste el dispositivo de conmutación a la posición completamente hacia la derecha, tal como se muestra en el diagrama. De lo contrario, no funcionará correctamente.)

- ② Apriete el gatillo con el clavador fuera de la pieza de trabajo.
 - ③ Presione la palanca de empuje contra la pieza de trabajo para clavar un clavo.
 - ④ Desplace el clavador por la pieza de trabajo con un movimiento de rebote.
- Con cada presión de la palanca de empuje se clavará un clavo.

Después de haber clavado los clavos necesarios, separe el dedo del gatillo.



⚠ ADVERTENCIA

- Mantenga el dedo separado del gatillo excepto durante la operación, porque esto podría resultar en lesiones si la palanca de presión entrase en contacto con su cuerpo o con el de otras personas del área de trabajo.
- Mantenga las manos y el cuerpo alejados del área de descarga. Este clavador Hitachi podría rebotar por la reculada producida al meter un sujetador, y producir la introducción no intencional del siguiente sujetador, con el riesgo de sufrir lesiones.
- Algunos tipos de clavos cargados pueden echar chispas a través de la boca durante la operación de clavado. ¡Tenga cuidado!

El MECANISMO DE ACTUACIÓN SECUENCIAL SIMPLE se usa para colocar los fijadores con gran precisión.

El MECANISMO DE ACTUACIÓN SECUENCIAL SIMPLE puede disminuir la ocurrencia de lesiones en el área de trabajo en comparación con el MECANISMO DE ACTUACIÓN DE CONTACTO. **Esto se debe a que hay menos posibilidades de lanzar un clavo de forma no intencional a alguna persona si continúa presionando el gatillo y presiona la palanca de manera accidental.**

El MECANISMO DE ACTUACIÓN SECUENCIAL SIMPLE puede también reducir la velocidad de funcionamiento en comparación con el MECANISMO DE ACTUACIÓN DE CONTACTO. Se recomienda que los usuarios con poca experiencia usen el MECANISMO DE ACTUACIÓN SECUENCIAL SIMPLE.

NOTA:

- Si se respetan todas las advertencias y precauciones, se podrá realizar una operación segura con los dos sistemas: MECANISMO DE ACTUACIÓN SECUENCIAL SIMPLE y MECANISMO DE ACTUACIÓN POR CONTACTO.
- Maneje con cuidado el paquete de clavos. Si los clavos se cayesen, el papel de la ristra podría romperse.
- Después de haber clavado los clavos:
 - 1) desconecte la manguera de aire del clavador,
 - 2) extraiga todos los clavos del clavador,
 - 3) aplique 5 - 10 gotas de lubricante para herramientas neumáticas Hitachi a la entrada de aire del clavador, y
 - 4) abra la llave de escape del depósito del compresor de aire para drenar la humedad que pueda existir.

AJUSTE DE LA PROFUNDIDAD DE CLAVADO

⚠ ADVERTENCIA

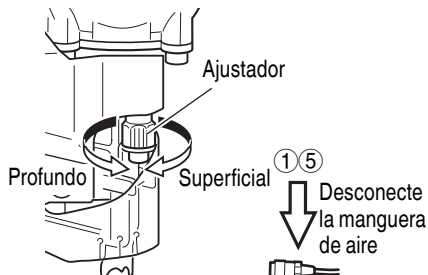
- **Antes de girar el ajustador, desconecte la manguera de aire del clavador.**

Para asegurar que cada clavo penetre con la misma profundidad, cerciórese de que:

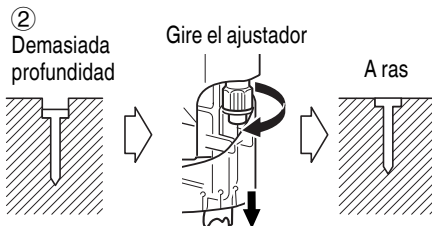
- 1) la presión de aire suministrada al clavador permanezca constante (regulador instalado y trabajando adecuadamente), y
- 2) esté sujetando firmemente el clavador contra la pieza de trabajo.

Si los clavos penetran demasiado o demasiado poco en la pieza de trabajo, realice el ajuste en el orden siguiente.

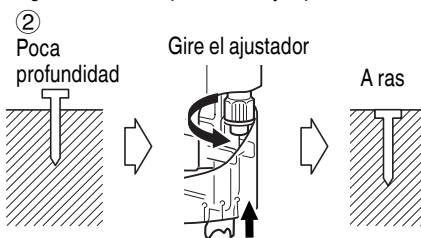
- ① **DESCONECTE LA MANGUERA DE AIRE DEL CLAVADOR**



- ② Si los clavos penetran demasiado, gire el ajustador hacia la parte de menor profundidad. El ajuste se realiza en incrementos de media vuelta.



Si los clavos se insertan demasiado poco, gire el regulador hacia la parte de mayor profundidad.



- ③ Deje de girar el ajustador cuando alcance la posición apropiada realizando una prueba de clavado.
- ④ Conecte la manguera de aire.
- ⑤ **UTILICE SIEMPRE GAFAS PROTECTORAS PARA LOS OJOS.** Realice una prueba de clavado.
- ⑥ **DESCONECTE LA MANGUERA DE AIRE DEL CLAVADOR.**
- ⑥ Elija la posición adecuada para el ajustador.

MANTENIMIENTO

NOTA: La información contenida en este manual ha sido diseñada para ayudarle a mantener con seguridad este clavador.

Algunas ilustraciones de este manual pueden mostrar detalles o dispositivos diferentes a los de su propio clavador.

MANTENIMIENTO E INSPECCIÓN

Lea la sección titulada “SEGURIDAD” (páginas 40 – 43).

⚠ ADVERTENCIA

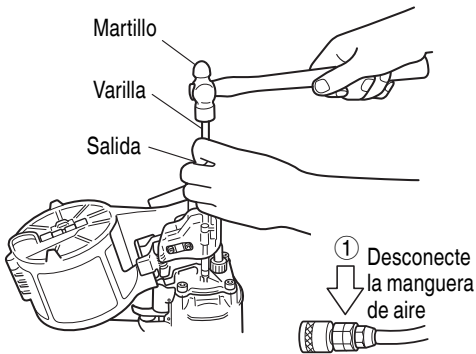
- **Desconecte la manguera y extraiga todos los clavos del clavador antes de:**

- 1) realizar trabajos de mantenimiento e inspección, y
- 2) desatascar el clavador.

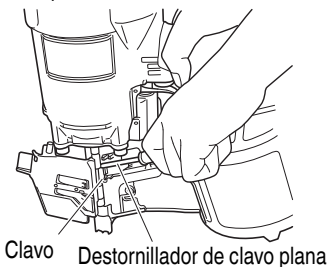
1. Desatascado

Desatasque los clavos en el orden siguiente:

- ① DESCONECTE LA MANGUERA DE AIRE.
 - ② Abra la guía de clavos.
 - ③ Inserte una varilla en la salida.
- Golpee la varilla con un martillo.



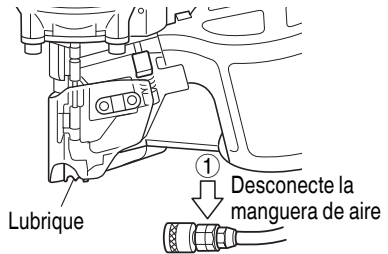
- ④ Quite el clavo atascado con un destornillador de clavos plana.



- ⑤ Corte el alambre de unión deformado con unos alicates. Corrija la deformación.
- ⑥ En caso de atasco frecuente, póngase en contacto con un centro de reparaciones autorizado por Hitachi.

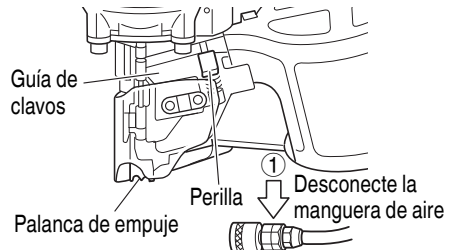
2. Inspección de la palanca de empuje

- ① DESCONECTE LA MANGUERA DE AIRE.
- ② Limpie la parte deslizante de la palanca de empuje. Lubríquela con lubricante para herramientas neumáticas Hitachi.

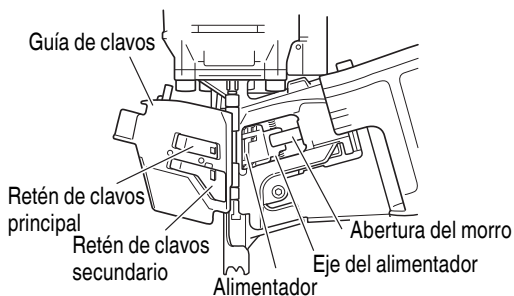


3. Inspección de los alimentadores

- ① DESCONECTE LA MANGUERA DE AIRE.
- ② Limpie la parte deslizante de la perilla. Lubríquela con lubricante para herramientas neumáticas Hitachi.



- ③ Abra la guía de clavos y quite el polvo. Lubrique la ranura deslizante del alimentador y los ejes.



- ④ Lubrique las superficies del morro y de la guía de clavos después de la limpieza.
Esto suavizará la operación e impedirá la oxidación.

⚠ PRECAUCIÓN

- Compruebe que el retén de clavos principal y el retén de clavos secundario se deslicen con suavidad presionándolos con el dedo.

Si no hay suavidad, las clavos se clavarán a ángulos irregulares y pueden herir a alguien.

4. Inspección del cargador

① DESCONECTE LA MANGUERA DE AIRE.

② Limpie el cargador. Quite el polvo o las virutas de madera que puedan haberse acumulado en el cargador.

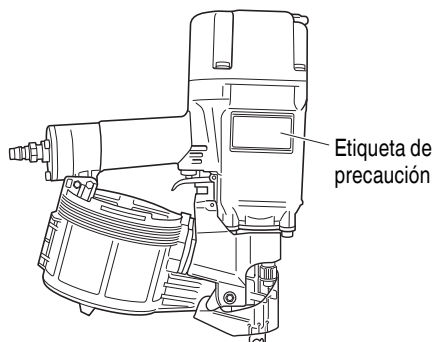
5. Almacenamiento

- Cuando no vaya a utilizar el clavador durante mucho tiempo, aplique una capa fina de lubricante a las piezas de acero para evitar que se oxiden.
- No guarde el clavador en un lugar frío. Guarde el clavador en un lugar cálido.
- Cuando no vaya a utilizar el clavador, deberá guardarlo en un lugar cálido y fresco. Mantenga el clavador fuera del alcance de los niños.

6. ETIQUETA DE PRECAUCIÓN

Si la ETIQUETA DE PRECAUCIÓN se pierde o daña, cámbiela por otra.

Solicite la nueva ETIQUETA DE PRECAUCIÓN a un centro de reparaciones autorizado por Hitachi.



7. Tabla de mantenimiento (Consulte la página 56.)
8. Solución de problemas por parte del operador (Consulte la página 57.)
9. Lista de repuestos

⚠ PRECAUCIÓN

- La reparación, modificación e inspección de las herramientas eléctricas Hitachi deben ser realizadas por un Centro de Servicio Autorizado de Hitachi.

Esta lista de repuestos será de utilidad si es presentada junto con la herramienta al Centro de Servicio Autorizado de Hitachi para solicitar la reparación o cualquier otro tipo de mantenimiento. En el manejo y el mantenimiento de las herramientas eléctricas, se deberán observar las normas y reglamentos vigentes en cada país.

MODIFICACIONES

Hitachi Power Tools introduce constantemente mejoras y modificaciones para incorporar los últimos avances tecnológicos.

Por consiguiente, algunas partes pueden ser modificadas sin previo aviso.

SERVICIO Y REPARACIONES

ADVERTENCIA

- Este clavador solamente deberá repararlo personal entrenado por Hitachi, un distribuidor, o el empresario.
- Para la reparación, utilice solamente las piezas suministradas o recomendadas por Hitachi.

Todos los clavadores de calidad requerirán el servicio de mantenimiento o de reemplazo de piezas debido al desgaste con la utilización normal.

NOTA: Las especificaciones están sujetas a cambio sin previo aviso sin ninguna obligación por parte de HITACHI.

Tabla de mantenimiento

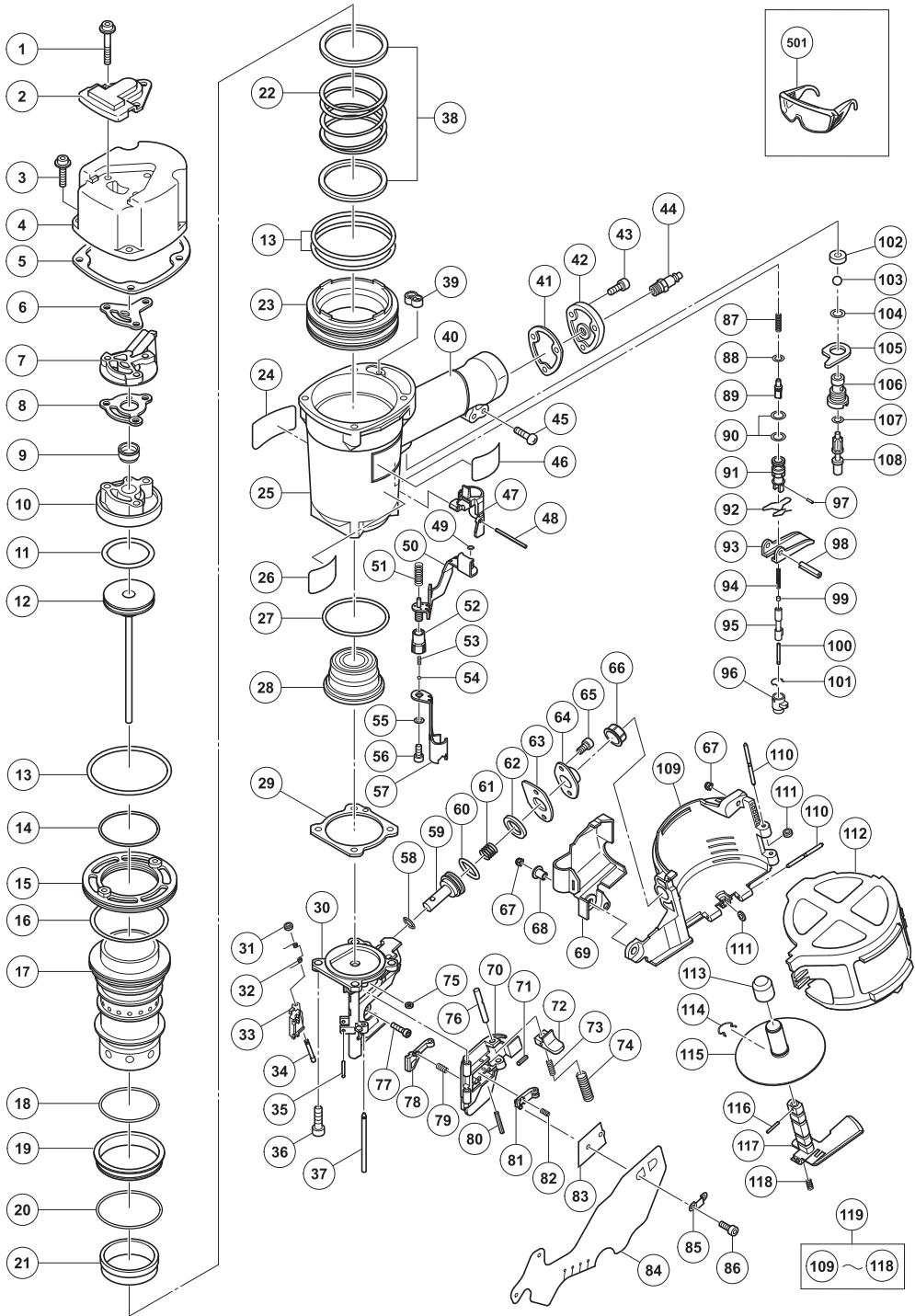
ACCIÓN	PARA	CÓMO
Drenaje diario del filtro de la línea de aire.	Evitar la acumulación de humedad y suciedad.	Abra la llave de escape manual.
Mantenimiento del lubricador lleno.	Mantener el clavador lubricado.	Rellene con lubricante para herramientas neumáticas Hitachi.
Limpieza del elemento del filtro y soplado de aire a través del mismo en sentido opuesto al normal de flujo del aire.	Evitar que el filtro se atasque con suciedad.	Siga las instrucciones del fabricante.
Limpieza del cargador y del mecanismo del alimentador.	Evitar atascos.	Sople diariamente.
Mantenimiento de la palanca de empuje en perfectas condiciones.	Garantizar la seguridad del operador y la operación eficaz del clavador.	Sople diariamente.
Lubricación del clavador después de haberlo utilizado.	Prolongar la duración del clavador.	Aplique 5 – 10 gotas de lubricante al clavador.
Drenaje del compresor de aire.	Mantener el clavador en buenas condiciones de operación.	Abra la llave de llave de escape.

Solución de problemas por parte del operador

La mayoría de los problemas sin importancia podrán resolverse fácilmente utilizando la tabla siguiente.

Si el problema persiste, póngase en contacto con un centro de reparaciones autorizado por Hitachi.

PROBLEMA	MÉTODO DE COMPROBACIÓN	SOLUCIÓN
El clavador funciona pero no clava clavos.	Compruebe si está atascado.	Desatásquelo.
	Compruebe el funcionamiento del alimentador de clavos de acuerdo con la página 54.	Limpie y lubrique.
	¿Está flojo o dañado el resorte de cinta?	Reemplácelo.
	Compruebe si los clavos son los apropiados.	Utilice solamente los clavos recomendados.
Poca fuerza. Reciclado lento.	Compruebe la presión de aire.	Aumente la presión de aire. (No sobrepase 120 psi (8.3 barías 8.5 kgf/cm ² .)
	-----	Utilice lubricante para herramientas neumáticas Hitachi.
	¿Está gastada la cuchilla impulsora?	Solicite otra de reemplazo a Hitachi.
	¿Está gastado o dañado el anillo O del pistón?	
Los clavos penetran demasiado.	Compruebe la presión de aire.	Reduzca la presión de aire. (Ajústela a 70 – 120 psi)
Salto de clavos. Alimentación intermitente.	Compruebe si está utilizando los clavos apropiados.	Utilice solamente los clavos recomendados.
	Compruebe el funcionamiento del alimentador de clavos de acuerdo con la página 54	Limpie y lubrique.
	¿Está flojo o dañado el resorte de cinta?	Reemplácelo.
	-----	Utilice lubricante para herramientas neumáticas Hitachi.
	¿Está el anillo O del pistón cortado o muy gastado?	Póngase en contacto con Hitachi para reemplazarlo..
Clavos atascadas. Los clavos se clavan doblados.	Compruebe si los clavos son los apropiados.	Utilice solamente los clavos recomendados.
	¿Está gastada la cuchilla impulsora?	Póngase en contacto con Hitachi para reemplazarlo.
El funcionamiento es normal, pero no es posible clavar a gran velocidad.	Compruebe el diámetro interior de la manguera de aire.	Utilice otra manguera de aire de mayor diámetro.



Item No.	Part Name	Q'TY
1	HEX. SOCKET HD. BOLT (W/FLANGE) M6 x 45	3
2	TOP COVER	1
3	HEX. SOCKET HD. BOLT (W/SP.WASHER) M6 x 25	4
4	EXHAUST COVER	1
5	GASKET (B)	1
6	GASKET (F)	1
7	EXHAUST PIECE	1
8	GASKET (C)	1
9	EXHAUST VALVE	1
10	HEAD CAP	1
11	O-RING (1AP-48)	1
12	PISTON (H)	1
13	O-RING (S-90)	3
14	CYLINDER O-RING (I.D 63.1)	1
15	CYLINDER PLATE	1
16	CYLINDER O-RING (I.D 79.3)	1
17	CYLINDER	1
18	O-RING (I.D 59.6/W2.4)	1
19	GUIDE SLEEVE	1
20	O-RING (S-70)	1
21	CYLINDER RING	1
22	CYLINDER SPRING	1
23	CYLINDER GUIDE	1
24	WARNING LABEL	1
25	BODY ASS'Y	1
26	LABEL	1
27	CYLINDER O-RING (I.D 63.9)	1
28	PISTON BUMPER (B)	1
29	GASKET (A)	1
30	NOSE	1
31	FEEDER SHAFT RING	1
32	FEEDER SPRING	1
33	FEEDER	1
34	FEEDER SHAFT	1
35	ROLL PIN D3 x 20	1
36	NYLOCK HEX. SOCKET HD. BOLT M8 x 22	4
37	NAIL GUIDE SHAFT	1
38	BASE WASHER	2
39	GASKET (G)	1
40	GRIP RUBBER	1
41	GASKET (D)	1
42	CAP	1
43	HEX. SOCKET HD. BOLT M5 x 18	3
44	AIR PLUG NPT 3/8	1
45	MACHINE SCREW M5 x 25	1
46	MANE PLATER	1
47	VALVE GUARD	1
48	ROLL PIN D3 x 45	1
49	O-RING (S3)	1
50	PUSHING LEVER (B)	1
51	SPRING	1
52	ADJUSTER	1
53	ADJUSTER SPRING	2
54	STEEL BALL D3.175	2
55	WASHER	1
56	HEX. SOCKET HD. BOLT M6 x 12	1
57	PUSHING LEVER (A)	1
58	O-RING (P-9)	1
59	FEED PISTON	1
60	O-RING (P-22)	1

Item No.	Part Name	Q'TY
61	FEED SPRING	1
62	BUMPER	1
63	FEED PISTON COVER (A)	1
64	FEED PISTON COVER	1
65	SEAL LOCK HEX. SOCKET HD. BOLT M5 x 10	2
66	MAGAZINE BUSHING	1
67	NYLON NUT M5	2
68	SLEEVE	1
69	GUARD	1
70	NAIL GUIDE	1
71	ROLL PIN D3 x 10	1
72	GUIDE LOCK (A)	1
73	SPRING	1
74	SPRING	1
75	SHAFT RING	1
76	LOCK SHAFT	1
77	HEX. SOCKET HD. BOLT M5 x 20	1
78	SUB NAIL STOPPER (N)	1
79	SUB STOPPER SPRING	1
80	ROLL PIN D3 x 28	1
81	MAIN NAIL STOPPER (N)	1
82	MAIN STOPPER SPRING	1
83	NAIL GUIDE COVER	1
84	COVER	1
85	PLATE	1
86	SEAL LOCK HEX. SOCKET HD. BOLT M4 x 8	2
87	PLUNGER SPRING	1
88	O-RING (P-4)	1
89	PLUNGER	1
90	O-RING (I.D 10.7)	2
91	VALVE BUSHING	1
92	TRIGGER SPRING	1
93	TRIGGER	1
94	ROD SPRING	1
95	ROD(A)	1
96	CHANGE KNOB	1
97	PIN	1
98	ROLL PIN D3 x 30	1
99	ROD (B)	1
100	ROD (C)	1
101	RATCHET SPRING	1
102	VALVE PACKING	1
103	URETHANE BALL (C) D7.14	1
104	O-RING (S-12)	1
105	VALVE PLATE	1
106	TRIGGER VALVE BUSHING	1
107	O-RING	1
108	TRIGGER PLUNGER	1
109	MAGAZINE	1
110	PIN	2
111	FEEDER SHAFT RING	2
112	MAGAZINE COVER	1
113	HOLDER CAP	1
114	RATCHET SPRING	1
115	NAIL HOLDER (A)	1
116	ROLL PIN D2.5	1
117	HOLDER SHAFT	1
118	SPRING	1
119	MAGAZINE ASS'Y	1
501	PROTECTIVE GLASSES	1

Issued by

 **Hitachi Koki Co., Ltd.**

Shinagawa Intercity Tower A, 15-1, Konan 2-chome,
Minato-ku, Tokyo 108-6020, Japan

Distributed by

 **Hitachi Koki U.S.A., Ltd.**

3950 Steve Reynolds Blvd.
Norcross, GA 30093

 **Hitachi Koki Canada Corp.**

450 Export Blvd. Unit B,
Mississauga ON L5T 2A4

107

Code No. C99196961 T
Printed in Taiwan