

Tanaka[®]

TED-270PFL/PFLS

TED-270PFR/PFRS

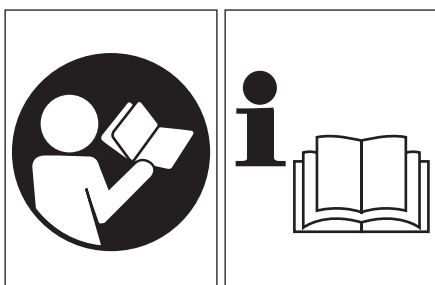
TED-270PFHS/PFDH

TED-270PFDLS

**Owner's manual
Mode d'emploi
Manuale d'istruzioni
Bedienungsanleitung
Manual del propietario
Gebruiksaanwijzing
Manual do proprietário
ΟΔΗΓΙΕΣ ΧΡΗΣΗΣ**

Tanaka®

TED-270PFL/PFLS
TED-270PFR/PFRS
TED-270PFHS/PFDH
TED-270PFDLS



Read the manual carefully before operating this machine.

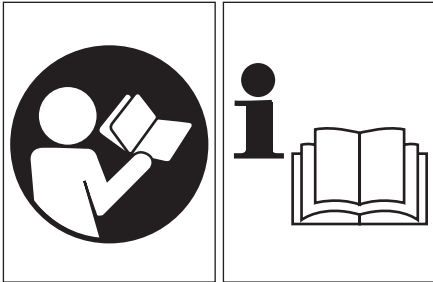
Owner's manual

⚠ WARNING

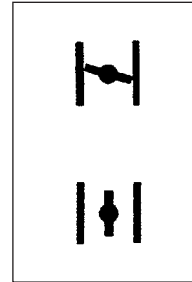
The engine exhaust from this product contains chemicals known to the State of California to cause cancer, birth defects and other reproductive harm.



Always wear eye, head and ear protectors when using this unit.



It is important that you read, fully understand and observe the following safety precautions and warnings. Careless or improper use of the unit may cause serious or fatal injury.



Explains choke position. Upper sign indicates choke closed and the lower fully open.



Read, understand and follow all warnings and instructions in this manual and on the unit.



Do not touch the bit when running the engine.

⚠WARNING:

Some dust created by power sanding, sawing, grinding, drilling, and other construction activities contains chemicals known to the State of California to cause cancer, birth defects or other reproductive harm. Some examples of these chemicals are:

- Lead from lead-based paints,
- Crystalline silica from bricks and cement and other masonry products, and
- Arsenic and chromium from chemically-treated lumber.

Your risk from these exposures varies, depending on how often you do this type of work. To reduce your exposure to these chemicals: work in a well ventilated area, and work with approved safety equipment, such as those dust masks that are specially designed to filter out microscopic particles.

Before using your machine

- Read the manual carefully.
- Check that the cutting equipment is correctly assembled and adjusted.
- Start the unit and check the carburetor adjustment. See "Maintenance".

Declaration of conformity

We, Nikko Tanaka Engineering Co., Ltd., 3-4-29 Tsudanuma, Narashino, Chiba, Japan

Declare under our sole responsibility that the product, Engine drill model

TED-270PFL/PFLS
TED-270PFR/PFRS
TED-270PFHS/PFDH
TED-270PFDLS

to which this declaration relates is in conformity with the essential safety requirements of directives.

98/37/EC, 89/336/EEC, 2000/14/EC

The following standards have been taken into consideration ISO 3864 (EN ISO 12100-1/2)

Manufactured at : Chiba, Japan on the 01/01/2008

Signature:


Yoshio Osada

Serial No. up from E001001

Position : Director

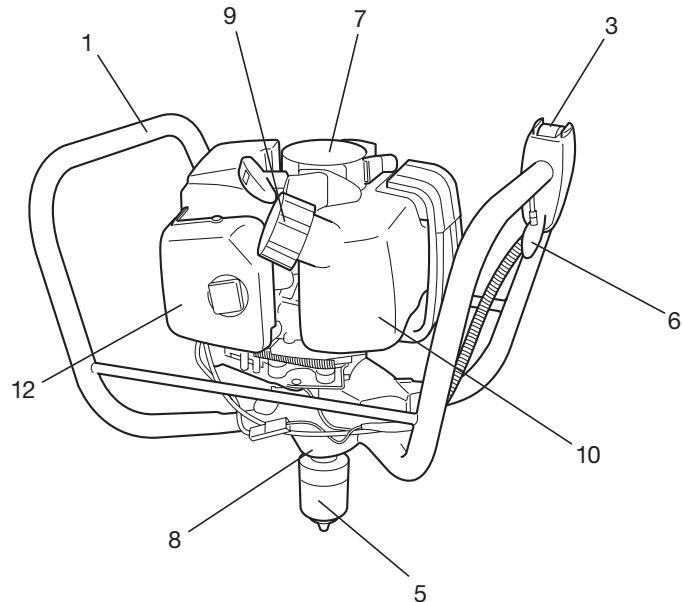
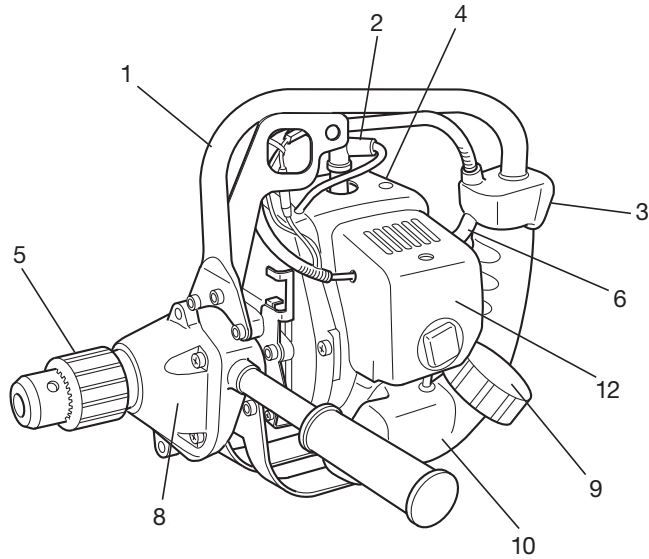
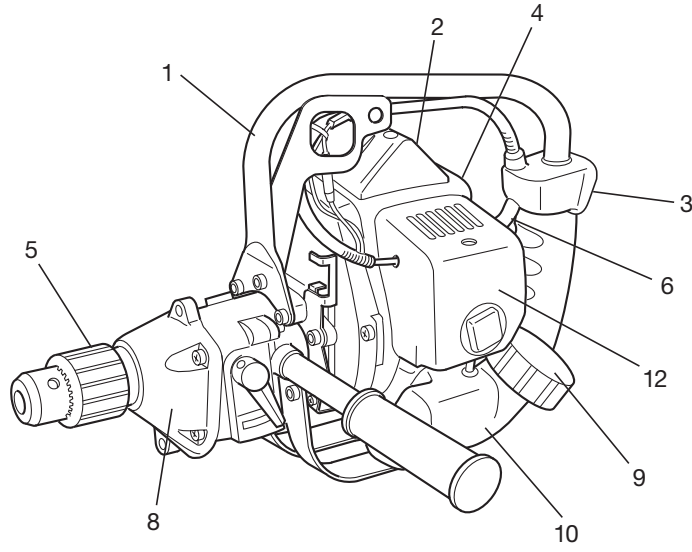
Index

What is what? _____	4
Warnings and safety instructions _____	5
Assembly procedures _____	6
Operating procedures _____	6
Maintenance _____	10
Specifications _____	12

1. What is what?

Since this manual covers several models, there may be some difference between pictures and your unit. Use the instructions that apply to your unit.

1. Handle
2. Plug cap
3. Ignition switch
4. Muffler
5. Chuck unit
6. Throttle trigger
7. Recoil starter
8. Gear case
9. Fuel cap
10. Fuel tank
11. Shift lever
12. Air cleaner
13. Hole for strap



2. Warnings and safety instructions

Operator safety

- Always wear a safety face shield or goggles.
- Always wear heavy, long pants, boots and gloves. Do not wear loose clothing, jewelry, short pants, sandals or go barefoot. Secure hair so it is above shoulder length.
- Do not operate this unit/machine when you are tired, ill or under the influence of alcohol, drugs or medication.
- Never let a child or inexperienced person operate the machine.
- Wear hearing protection.
- Never start or run the engine inside a closed room or building. Breathing exhaust fumes can kill.
- Keep handles free of oil and fuel.
- Keep hands away from drilling equipment.
- Do not grab or hold the unit by the drilling equipment.
- When the unit is turned off, make sure the drilling attachment has stopped before the unit is set down.
- When operation is prolonged, take a break from time to time so that you may avoid possible whitefinger disease which is caused by vibration.

Unit / machine safety

- Inspect the entire unit/machine before each use. Replace damaged parts. Check for fuel leaks and make sure all fasteners are in place and securely tightened.
- Replace parts that are cracked, chipped or damaged in any way before using the unit/machine.
- Keep others away when making carburetor adjustments.
- Use only accessories as recommended for this unit/machine by the manufacturer.

⚠ WARNING!

Never modify the unit/machine in any way. Do not use your drilling tool for any job except that for which it is intended.

Fuel safety

- Mix and pour fuel outdoors and where there are no sparks or flames.
- Use a container approved for fuel.
- Do not smoke or allow smoking near fuel or the unit/machine or while using the unit/machine.
- Wipe up all fuel spills before starting engine.

- Move at least 3 m away from fueling site before starting engine.
- Stop engine before removing fuel cap.
- Empty the fuel tank before storing the unit/machine. It is recommended that the fuel be emptied after each use. If fuel is left in the tank, store so fuel will not leak.
- Store unit/machine and fuel in area where fuel vapors cannot reach sparks or open flames from water heaters, electric motors or switches, furnaces, etc.

⚠ WARNING!

Antivibration systems do not guarantee that you will not sustain whitefinger disease or carpal tunnel syndrome. Therefore, continual and regular users should monitor closely the condition of their hands and fingers. If any of the above symptoms appear, seek medical advice immediately.

Drilling safety

- Do not drill any material other than that for which is intended.
- Inspect the area to be drilled before each use. Remove objects which can be thrown or become entangled.
- For respiratory protection, wear an aerosol protection mask when drilling the area after insecticide is scattered.
- Keep others including children, animals, bystanders and helpers outside the 5 m hazard zone. Stop the engine immediately if you are approached.
- Hold the unit/machine firmly with both hands.
- Keep firm footing and balance. Do not over-reach.
- Keep all parts of your body away from the muffler and drilling attachment when the engine is running.

Maintenance safety

- Maintain the unit/machine according to recommended procedures.
- Disconnect the spark plug before performing maintenance except for carburetor adjustments.
- Keep others away when making carburetor adjustments.
- Use only genuine Tanaka replacement parts as recommended by the manufacturer.

Transport and storage

- Carry the unit/machine by hand with the engine stopped and the muffler away from your body.
- Allow the engine to cool, empty the fuel tank, and secure the unit/machine before storing or transporting in a vehicle.
- Empty the fuel tank before storing the unit/machine. It is recommended that the fuel be emptied after each use. If fuel is left in the tank, store so fuel will not leak.
- Store unit/machine out of the reach of children.
- Clean and maintain the unit carefully and store it in a dry place
- Make sure engine switch is off when transporting or storing.
- When transporting in a vehicle, cover bit with bit cover or rug.

If situations occur which are not covered in this manual, take care and use common sense. Contact Tanaka dealer if you need assistance. Pay special attention to statements preceded by the following words:

⚠ WARNING!

Indicates a strong possibility of severe personal injury or loss of life, if instructions are not followed.

CAUTION!

Indicates a possibility of personal injury or equipment damage, if instructions are not followed.

NOTE!

Helpful information for correct function and use.

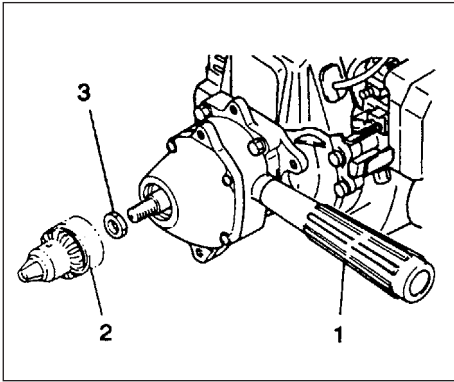


Fig.1-1

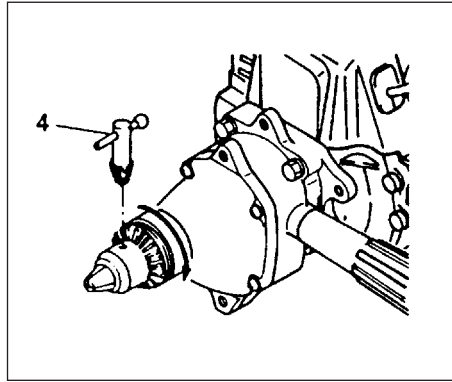


Fig.1-1B

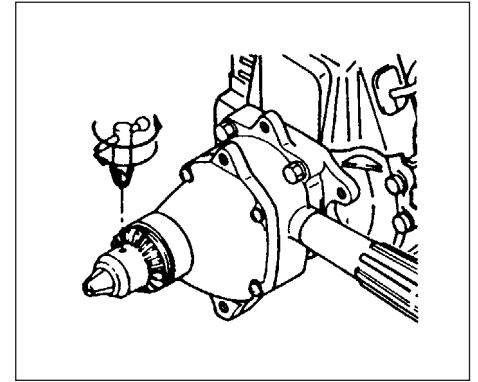


Fig.1-1C

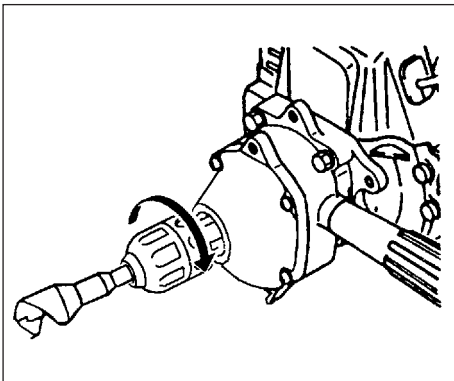


Fig.1-1D

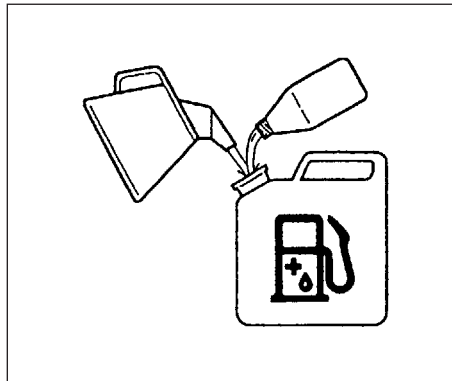


Fig.2-1

3. Assembly procedures

Assembling (Fig. 1-1, 1B, 1C)

1. Assemble the handle (1) which is supplied with the unit to the gear case.
2. Screw the chuck unit (2) into the drive shaft (clockwise) after the collar B (3) has been installed. (if so equipped)
3. Insert the drill bit to be used after opening the chuck by the chuck handle (4) and tighten the chuck by the handle.

NOTE!

If the keylesschuck is equipped, loosen chuck and insert drill bit. Then tighten chuck by turning clockwise till making "click" noise (Fig.1-1D)

Selection of a Suitable Bit

Choose a drill bit according to material to be drilled.

4. Operating procedures

Fuel (Fig. 2-1)

⚠ WARNING!

The power drill is equipped with a two-stroke engine. Always run the engine on fuel, which is mixed with oil. Provide good ventilation, when fueling or handling fuel.

Fuel

- Always use branded 89 octane unleaded gasoline.
- Use genuine two-cycle oil or use a mix between 25:1 to 50:1, please consult the oil bottle for the ratio or Tanaka dealer
- Only for the state of California at 50:1.
- If genuine oil is not available, use an anti-oxidant added quality oil expressly labeled for air-cooled 2-cycle engine use (JASO FC GRADE OIL or ISO EGC GRADE). Do not use BIA or TCW (2-stroke water-cooling type) mixed oil.
- Never use multi-grade oil (10 W/30) or waste oil.
- Always mix fuel and oil in a separate clean container.

Always start by filling half the amount of fuel, which is to be used. Then add the whole amount of oil. Mix (shake) the fuel mixture. Add the remaining amount of fuel. Mix (shake) the fuel-mix thoroughly before filling the fuel tank.

Fueling

⚠ WARNING!

- Always shut off the engine before refueling.
- Slowly open the fuel tank, when filling up with fuel, so that possible over-pressure disappears.
- Tighten the fuel cap carefully, after fueling.
- Always move the unit at least 3 m (10 ft.) from the fueling area before starting.

Before fueling, clean the tank cap area carefully, to ensure that no dirt falls into the tank. Make sure that the fuel is well mixed by shaking the container, before fueling.

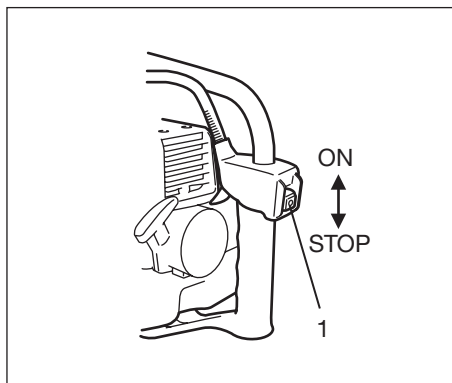


Fig. 2-2

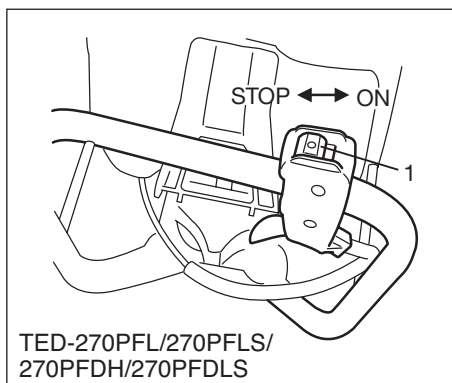


Fig. 2-2B

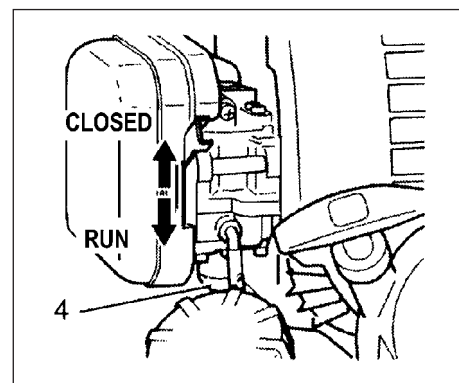


Fig. 2-3

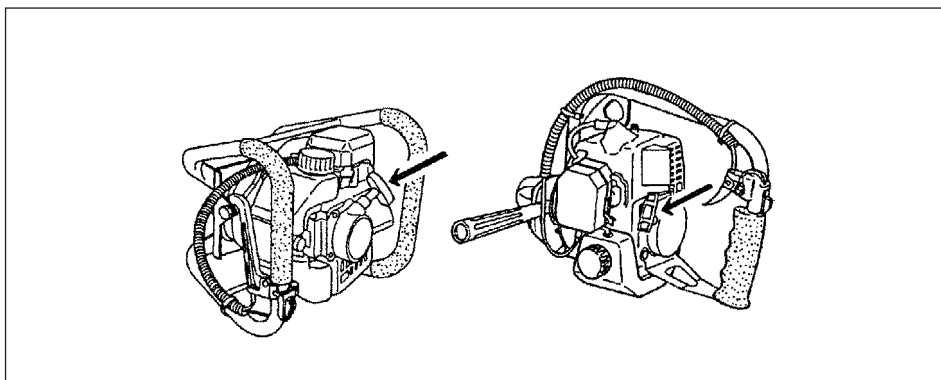


Fig. 2-4

Starting

1. Set ignition switch (1) to ON position.
(Fig. 2-2, 2B)
*Push priming bulb (4) several times so that fuel flows through the bulb or return pipe.
(If so equipped) (Fig. 2-3)
2. Set choke lever to CLOSED position.
(Fig. 2-3)
3. Pull recoil starter briskly, taking care to keep the handle in your grasp and not allowing it to snap back. (Fig. 2-4)
4. When you hear the engine want to start, return choke lever to RUN position (open). Then pull recoil starter briskly again.
(Fig. 2-3)

NOTE!

If engine does not start, repeat procedures from 2 to 4.

5. After starting engine, allow the engine about 2-3 minutes to warm up before subjecting it to any load.

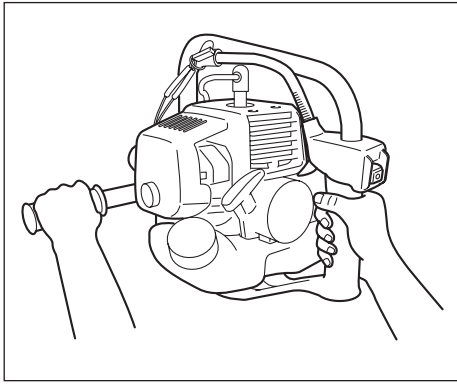


Fig. 2-5

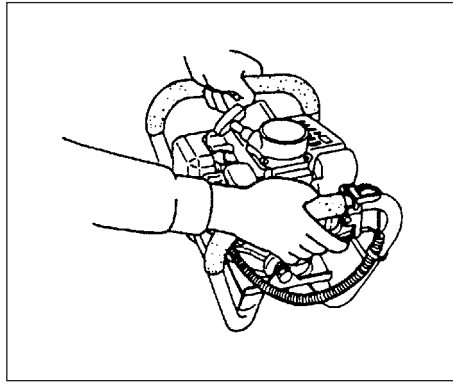


Fig. 2-5B

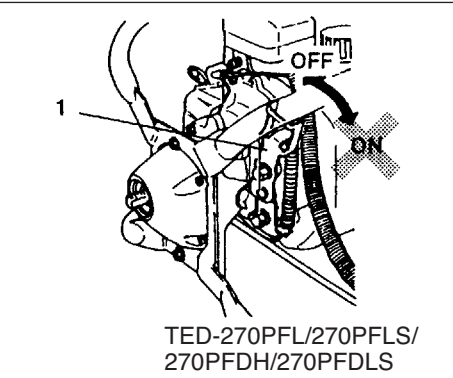
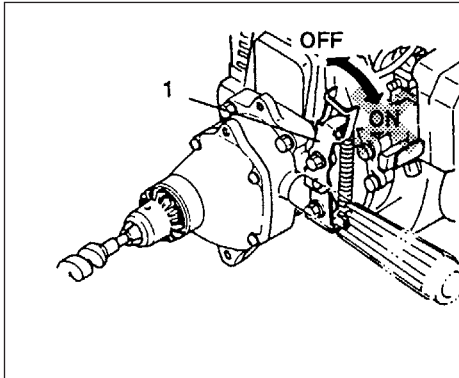


Fig. 2-5C

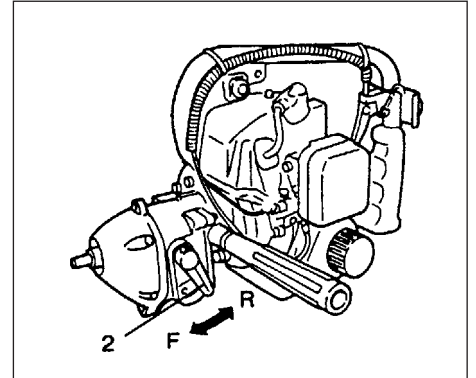


Fig. 2-5D

Drilling (Fig. 2-5, 5B)

- Always hold unit firmly with both hands on handles and body well balanced.
- Operate at a high engine speed and let drill bit do the work. Do not force bit into hole.
- If material become twisted around drill bit, stop engine, allow unit to cool and remove wire from spark plug before attempting to clear bit.
- Stop engine and inspect unit if abnormal vibration or noise is generated.

How to operate Reverse control (on TED-270PFR/270PFRS) (Fig. 2-5D)

- Decrease engine speed to idle and move shift lever (2) to R (Reverse) position, then accelerate to pull out.
 - Shift lever may not move unless engine is running. If so, turn drill chuck a little bit by hand.
- * The purpose of Lock control and Reverse control is mainly for easy pullout of bit.

How to operate Lock control (on TED270PFL/270PFLS/270PFDH/270PFDLS) (Fig. 2-5C)

NOTE!
Always stop the engine before operation of lock control.

- When bit has stuck in object, stop engine and turn on lock lever (1).
- Rotate whole unit counter-clockwise so that the bit can be pulled out easily.
- If the unit would not move, rotate it clockwise a little and then counter-clockwise again.

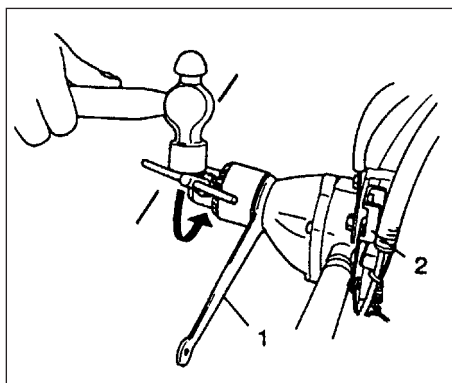


Fig. 2-6

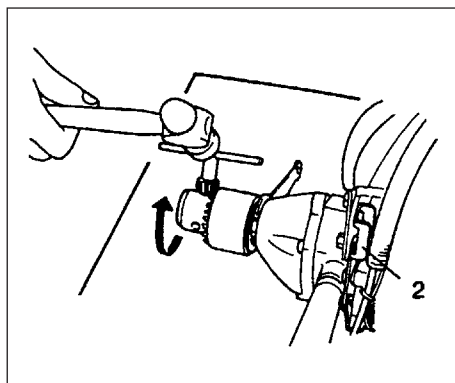


Fig. 2-6B

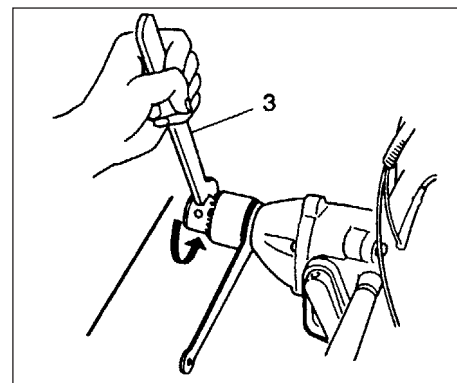


Fig. 2-7

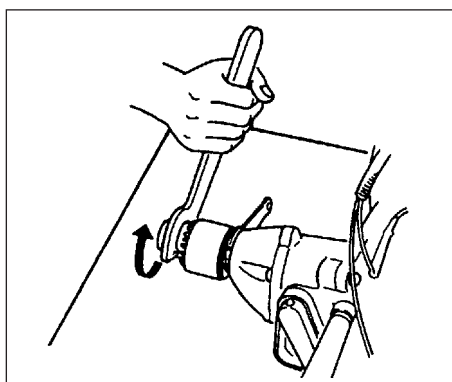


Fig. 2-7B

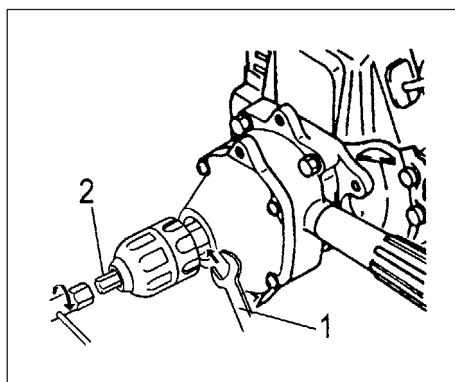


Fig. 2-7C

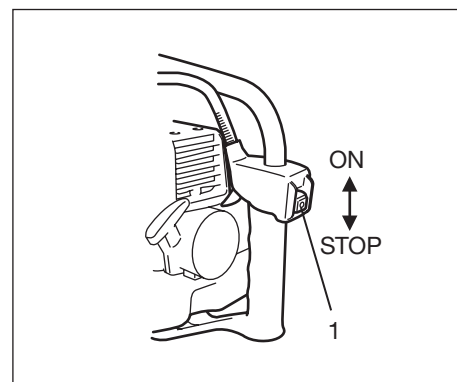
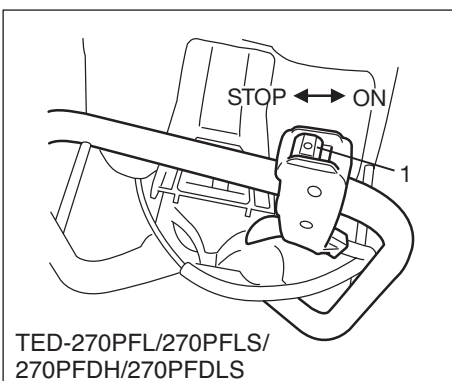


Fig. 2-8



TED-270PFL/270PFLS/
270PFDH/270PFDLS

Fig. 2-8B

- To tighten the chuck more securely, set a 19mm spanner (1) between gear case and drill chuck to lock drive shaft. Turn on lock lever (2) then hit the mounted chuck handle with a hammer to screw in (clockwise) the chuck. (TED-270PFL/270PFLS/270PFDH/270PFDLS/270PFHS) (Fig. 2-6)
- To loosen the chuck, set the spanner on the other side and hit the chuck handle from this side to screw out (counter-clockwise), the chuck with the lock lever on. (TED-270PFL/270PFLS/270PFDH/270PFDLS/270PFHS) (Fig. 2-6B)

- Note! use chuck mount wrench (3) in place of chuck handle and tighten or untighten manually instead of hitting. Do not hit the chuck mount wrench. (Fig. 2-7, 7B)
- To install or loosen the keyless chuck, set a 19mm spanner (1) between gear case and chuck to lock drive shaft. Install the locking bar (2) in the tool bag into the chuck, and then tighten (clockwise) the bar (2) with the enclosed box spanner or loosen (counter-clockwise). (Fig. 2-7C)

Stopping (Fig. 2-8, 8B)

- Decrease engine speed, and push ignition switch to stop position.

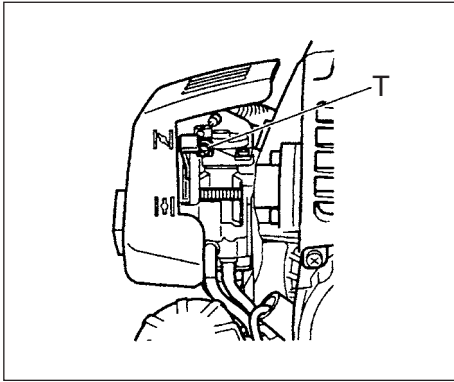


Fig. 3-1

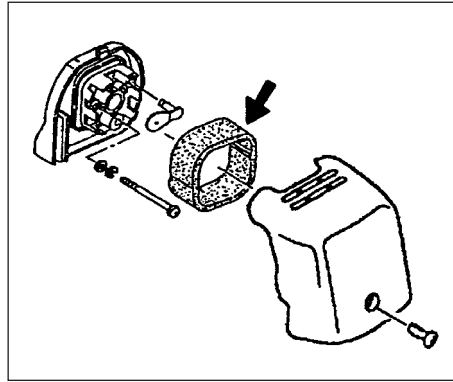


Fig. 3-2

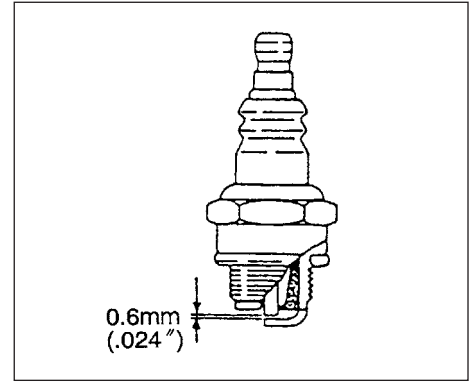


Fig. 3-3

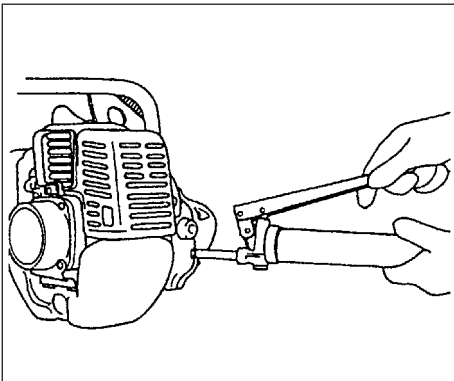


Fig. 3-4

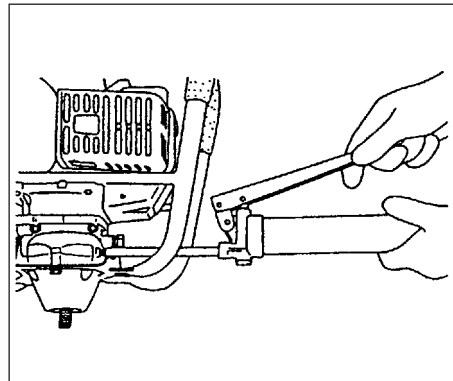


Fig. 3-4B

5. Maintenance

MAINTENANCE, REPLACEMENT, OR REPAIR OF THE EMISSION CONTROL DEVICES AND SYSTEM MAY BE PERFORMED BY ANY NONROAD ENGINE REPAIR ESTABLISHMENT OR INDIVIDUAL.

Carburetor adjustment (Fig. 3-1)

⚠ WARNING!

The bit may be spinning during carburetor adjustments.

⚠ WARNING!

Never start the engine without the complete clutch cover and gear case assembled! Otherwise the clutch can come loose and cause personal injuries.

In the carburetor, fuel is mixed with air. When the engine is test run at the factory, the carburetor is adjusted. A further adjustment may be required, according to climate and altitude. The carburetor has one adjustment possibility:
T = Idle speed adjustment screw.

Idle speed adjustment (T)

Check that the air filter is clean. When the idle speed is correct, the bit will not rotate. If adjustment is required, close (clockwise) the T-screw, with the engine running, until the bit starts to rotate. Open (counter-clockwise) the screw until the bit stops. You have reached the correct idle speed when the engine runs smoothly in all positions well below the rpm when the bit starts to rotate. If the bit still rotates after idle speed adjustment, contact Tanaka dealer.

⚠ WARNING!

When the engine is idling the bit must under no circumstances rotate.

Air filter (Fig. 3-2)

The air filter must be cleaned from dust and dirt in order to avoid:

- Carburetor malfunctions.
- Starting problems.
- Engine power reduction.
- Unnecessary wear on the engine parts.
- Abnormal fuel consumption.

Clean the air filter daily or more often if working in exceptionally dusty areas.

Cleaning the air filter

Remove the air filter cover and the filter. Rinse it in warm soap suds. Check that the filter is dry before reassembly. An air filter that has been used for some time cannot be cleaned completely. Therefore, it must regularly be replaced by a new one. A damaged filter must always be replaced.

NOTE!

Saturate the element in 2 cycle oil or the equivalent. Squeeze the element to distribute the oil completely and to remove any excess oil.

Spark plug (Fig. 3-3)

The spark plug condition is influenced by:

- An incorrect carburetor setting.
- Wrong fuel mixture (too much oil in the gasoline)
- A dirty air filter.
- Hard running conditions (such as cold weather).

These factors cause deposits on the spark plug electrodes, which may result in malfunction and starting difficulties. If the engine is low on power, difficult to start or runs poorly at idling speed, always check the spark plug first. If the spark plug is dirty, clean it and check the electrode gap. Readjust if necessary. The correct gap is 0.6 mm (.024"). The spark plug should be replaced after about 100 operation hours or earlier if the electrodes are badly eroded.

NOTE!

In some areas, local law requires using a resistor spark plug to suppress ignition signals. If this machine was originally equipped with resistor spark plug, use same type of spark plug for replacement.

Gear case (Fig. 3-4, 4B)

Apply a good quality lithium based grease through the grease fitting. Lubrication should be applied at 50 hour intervals and more frequent at heavy use.

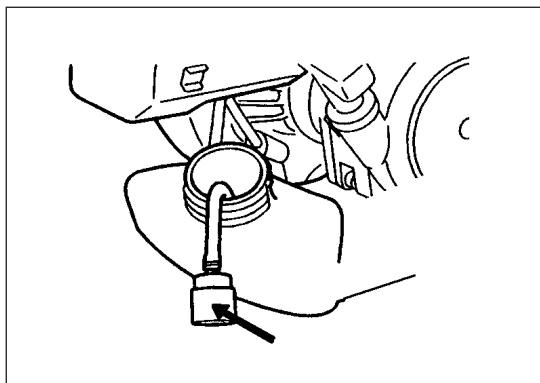


Fig. 3-5

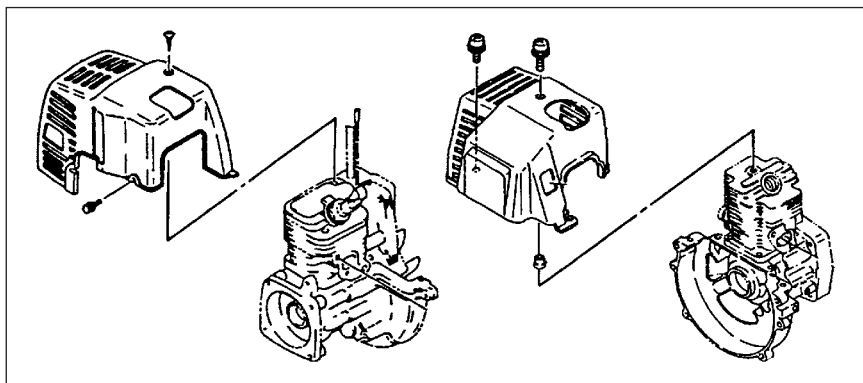


Fig. 3-6

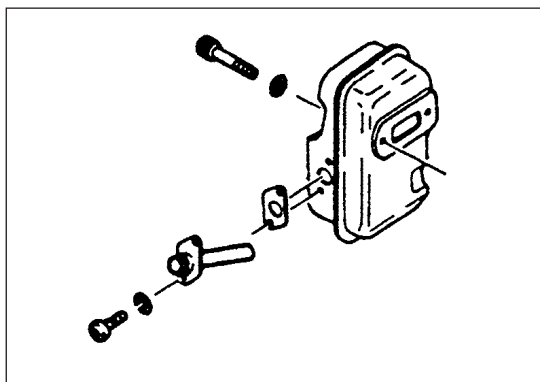


Fig. 3-7

Fuel filter (Fig. 3-5)

Remove the fuel filter from the fuel tank and thoroughly wash it in solvent. After that, push the filter into the tank completely.

NOTE !

If the filter is hard due to dust and dirt, replace it.

Cleaning the cylinder fins (Fig. 3-6)

When wood chips are caught between cylinder fins, the engine may overheat, resulting in lower output. To avoid this, always keep cylinder fins and fan case clean. Every 100 Operating hours, or once a year (more often if conditions require), clean fins and external surfaces of engine of dust, dirt and oil deposits which can contribute to improper cooling.

Cleaning the muffler (Fig. 3-7)

Remove the muffler and spark arrestor (if so equipped), and clean out any excess carbon from the exhaust port or muffler inlet every 100 hours of operation.

For long-term storage

Drain all fuel from the fuel tank. Start and let engine run until it stops. Repair any damage which has resulted from use. Clean the unit with a clean rag, or the use of high pressure air hose. Put a few drops of two-cycle engine oil into the cylinder through the spark plug hole, and spin the engine over several times to distribute oil. Cover the unit and store it in a dry area.

Maintenance schedule

Below you will find some general maintenance instructions. For further information please contact Tanaka dealer.

Daily maintenance

- Clean the exterior of the unit.
- Check that the drilling attachment is properly centred, sharp, and without cracks. An offcentred bit induces heavy vibrations that may damage the unit.
- Check that the drilling attachment is sufficiently tightened.
- Check that nuts and screws are sufficiently tightened.





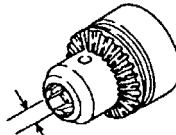
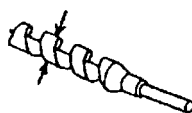


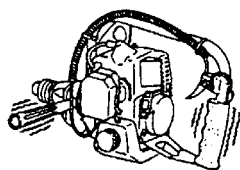
Weekly maintenance

- Check the starter, especially cord and return spring.
- Clean the exterior of the spark plug.
- Remove it and check the electrode gap. Adjust it to 0.6 mm, or change the spark plug.
- Clean the cooling fins on the cylinder and check that the air intake at the starter is not clogged.
- Check that the angle gear is filled with grease up to 3/4.
- Clean the air filter.

Monthly maintenance





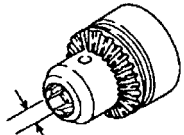



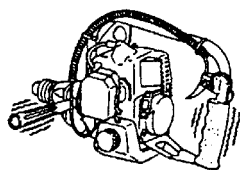
- Rinse the fuel tank with gasoline.
- Clean the exterior of the carburetor and the space around it.
- Clean the fan and the space around it.

6. Specifications

MODEL	TED-270PFL/ TED-270PFLS	TED-270PFR/ TED-270PFRS	TED-270PFHS
			
Engine Size (ml)	26.9 (1.64 cu. in.)	←	←
			
Spark Plug	Champion CJ-8 or equivalent	←	←
			
Fuel Tank Capacity (l).....	0.67 (22.8 fl. oz)	←	←
			
Dry Weight (kg).....	5.1 (11.2 lbs)	5.6 (12.3 lbs)	5.0 (11.0 lbs)
			
Chuck Capacity (mm).....	12.7 (1/2 in)	←	←
Drive Shaft Diameter.....	1/2"-20 UNF	←	←
			
Max. Bit Size (mm).....	25.4 (1 in) (Wood)	←	←
Reverse Control.....			
Lock Control.....			
			
Sound pressure level (dB(A))	LpA 95.1	95.1	95.1
			
Sound power level (db(A)).....	LwA 116	116	116
			
Vibration level (m/s ²) (ISO 7916)			
Front handle	7.1	7.1	7.1
Rear handle	7.2	7.2	7.2

NOTE : Equivalent noise level/vibration level are calculated as the time-weighted energy total for noise/vibration levels under various working conditions with the following time distribution : 1/2 idle, 1/2 racing.

*All data subject to change without notice.

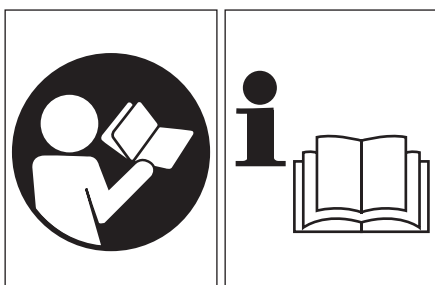
MODEL	TED-270PFDH	TED-270PFDLS
		
Engine Size (ml)	26.9 (1.64 cu. in.)	←
		
Spark Plug	Champion CJ-8 or equivalent	←
		
Fuel Tank Capacity (l).....	0.67 (22.8 fl. oz)	←
		
Dry Weight (kg).....	6.6	6.6
		
Chuck Capacity(mm).....	12.7(1/2 in)	←
Drive Shaft Diameter.....	1/2"-20 UNF	←
		
Max. Bit Size (mm).....	25.4 (1 in)	←
(Wood)		
Reverse Control.....		
Lock Control.....		
		
Sound pressure level (dB(A))	LpA 94.0	94.1
(EN 27917)		
		
Sound power level (db(A)).....	LwA 104	104
		
Vibration level (m/s ²) (ISO 7916)		
Front handle	7.81	Right 6.50
Rear handle	5.66	Left 6.76

NOTE : Equivalent noise level/vibration level are calculated as the time-weighted energy total for noise/vibration levels under various working conditions with the following time distribution : 1/2 idle, 1/2 racing.
*All data subject to change without notice.

Tanaka[®]

TED-270PFL/PFLS
TED-270PFR/PFRS
TED-270PFHS/PFDH
TED-270PFDLS

FR



Lire attentivement le manuel avant
d'utiliser la machine.

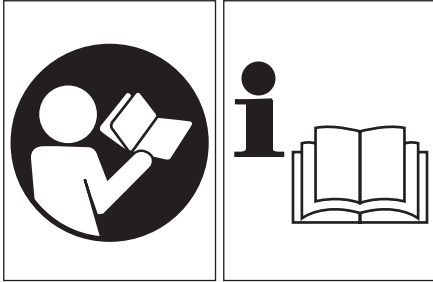
Mode d'emploi

ATTENTION!

Les gaz d'échappement du moteur de cette machine contiennent des produits chimiques considérés comme pouvant causer des cancers, des malformations congénitales et autres troubles de la reproduction.



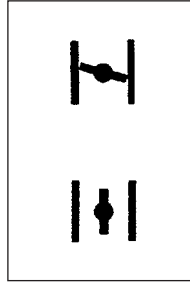
Utilisez toujours des lunettes de protection ainsi qu'une protection pour la tête et les oreilles lorsque vous utilisez cette machine.



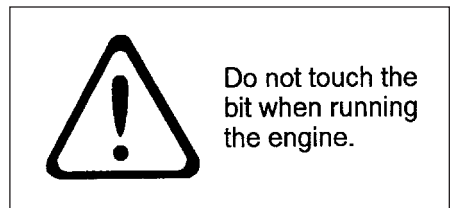
Il est essentiel que vous lisiez et compreniez parfaitement les consignes de sécurité suivantes et autres avertissements et que vous les observiez strictement. L'utilisation inattentive ou inadéquate de cette unité risque de provoquer des blessures graves ou fatales.



Lisez, comprenez et suivez toutes les instructions et tous les avertissements donnés dans ce manuel et sur la machine.



Explique la position de l'étrangleur. La marque supérieure indique que l'étrangleur est fermé et la marque inférieure qu'il est complètement ouvert.



Ne touchez en aucun cas la mèche quand le moteur fonctionne.

AVERTISSEMENT:

La poussière résultant d'un ponçage, d'un sciage, d'un meulage, d'un perçage ou de toute autre activité de construction renferme des produits chimiques qui sont connus par l'Etat de Californie pour causer des cancers, des défauts de naissance et autres anomalies de reproduction. Nous énumérons ci-dessus certains de ces produits chimiques:

- Plomb des peintres à base de plomb,
- Silice cristalline des briques et du ciment et autres matériaux de maçonnerie, et
- Arsenic et chrome du bois d'oeuvre traité chimiquement.

Le risque d'exposition à ces substances varie en fonction de la fréquence d'exécution de ce genre de travail. Pour réduire l'exposition à ces produits chimiques, travailler dans un lieu bien ventilé, et porter un équipement de protection agréé, par exemple un masque anti-poussière spécialement conçu pour filter les particules microscopiques.

Avant l'utilisation de votre nouvelle machine

- Lire attentivement le manuel d'utilisation.
- Vérifier que l'équipement de coupe est monté et réglé correctement.
- Démarrer la machine et vérifier le réglage du carburateur. Voir "Entretien".

Déclaration de conformité

Nous, soussignés, Nikko Tanaka Engineering Co., Ltd., 3-4-29 Tsudanuma, Narashino, Chiba, Japan

Déclarons sous notre seule responsabilité que le produit en question, perceuse modèle

TED-270PFL/PFLS
TED-270PFR/PFRS
TED-270PFHS/PFDH
TED-270PFDLS

à laquelle se rapporte la présente déclaration est conforme aux directives concernant les conditions de sécurité essentielles.

98/37/EC, 89/336/EEC, 2000/14/EC

Les normes suivantes ont été prises en considération. ISO 3864 (EN ISO 12100-1/2)

Fait à : Chiba, Japan Le 01/01/2008

Signature :



Yoshio Osada

No. de série à partir de E001001

Function : Directeur

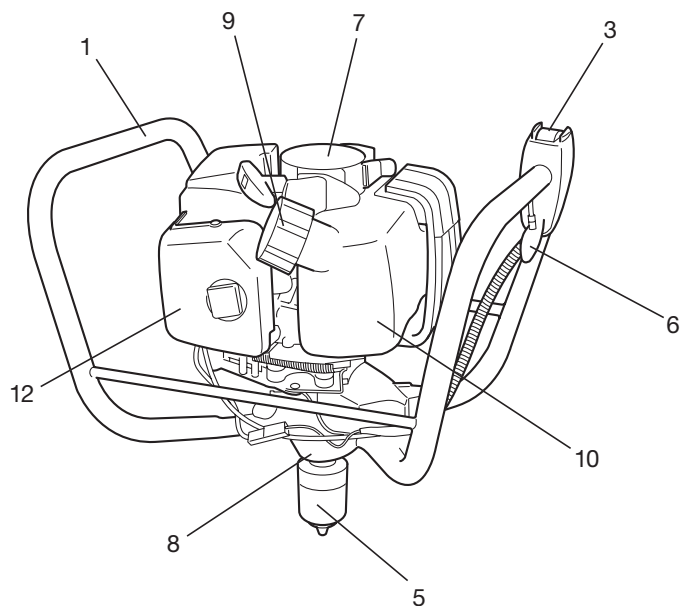
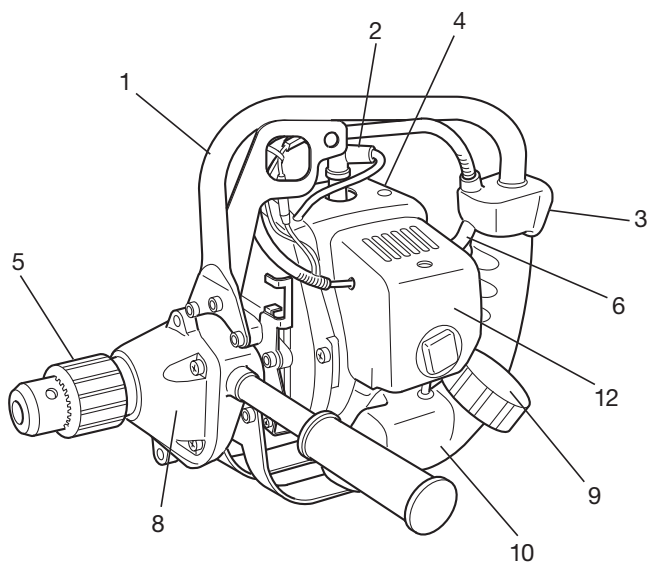
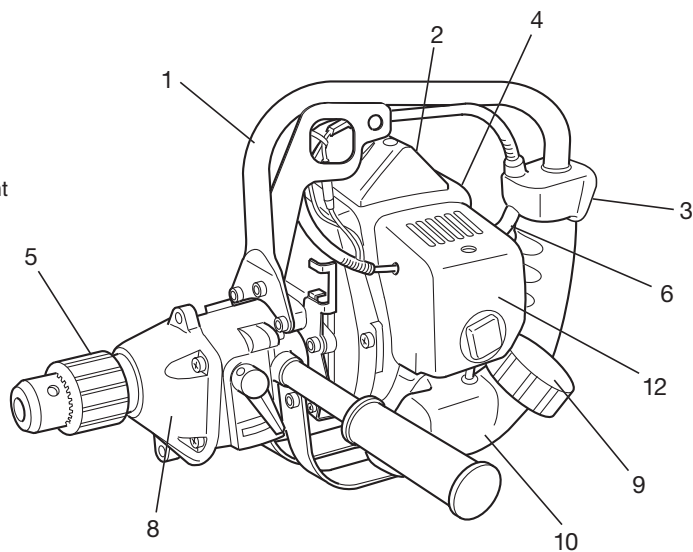
Index

Description	4
Précautions et consignes de sécurité	5
Montage	6
Utilisation	6
Entretien	10
Caractéristiques	12

1. Description

Comme ce manuel se réfère à plusieurs modèles, il se peut qu'il y ait de différences entre les images et votre appareil. Suivez les instructions concernant votre modèle.

1. Levider de support
2. Capuchon de bougie
3. Interrupteur marchearrêt
4. Silencieux d'échappement
5. Bloc de mandrin
6. Levier de l'accélérateur
7. Demarreur a recul
8. Boite d'engrenages
9. Bouchon de remplissage du carburant
10. Reservoir de carburant
11. Levier de changement
12. Filtre a air
13. Trou de courroie



2. Précautions et consignes de sécurité

Sécurité de l'utilisateur

- Portez toujours une visière et des lunettes de protection.
- Portez toujours un pantalon, des chaussures et des gants de sécurité. Évitez les vêtements amples, les shorts, les sandales et les pieds nus. Veillez à ce que vos cheveux ne descendent pas au-dessous des épaules.
- N'utilisez cette machine que si vous êtes en pleine possession de vos moyens physiques. Évitez strictement la consommation d'alcool, de drogue ou de médicaments.
- Ne jamais laisser un enfant ou une personne inexpérimentée se servir de ces machines.
- Portez un dispositif de protection contre le bruit pour vos oreilles.
- Ne mettez jamais le moteur en marche dans un local clos, les gaz d'échappement étant toxiques.
- Nettoyez les poignées de toute trace d'huile ou de carburant.
- Ne pas approcher les mains du dispositif de forage.
- Ne pas saisir ou tenir l'unité par le dispositif de forage.
- Lorsque l'on arrête l'unité, veiller à ce que le dispositif de forage soit complètement arrêté avant de poser l'unité.
- Lors d'une utilisation prolongée, veillez à faire une pause périodiquement, afin d'éviter des troubles éventuels provoqués par les vibrations.

Règles de sécurité concernant l'utilisation de la machine.

- Contrôlez entièrement votre machine avant chaque utilisation. Remplacez les pièces endommagées. Vérifiez l'absence de fuites de carburant et assurez-vous que tous les dispositifs de fixation sont en place et solidement fixés.
- Remplacez les éléments Tanaka de la machine qui présentent des fissures, des ébréchures ou toute autre avarie.
- Ne laissez personne s'approcher lorsque vous réglez le carburateur.
- Utilisez uniquement les accessoires recommandés par le constructeur pour cette machine.

ATTENTION!

Ne modifiez en aucun cas l'équipement. Ne jamais utiliser l'outil de forage pour tout autre travail que celui auquel il est destiné.

Sécurité au niveau du carburant

- Faites le mélange et le plein à l'air libre, à distance de toute étincelle ou flamme
- Utilisez pour l'essence un récipient agréé.
- Ne fumez pas et ne laissez personne fumer à proximité du carburant ou de la machine. ni lorsque vous utilisez la machine.
- Essuyez soigneusement toutes les traces de carburant avant de mettre le moteur en marche.
- Pour démarrer la tronçonneuse, écarter vous d'au moins 3 mètres de l'endroit où vous avez fait le plein.
Arrêtez le moteur avant de dévisser les bouchons des réservoirs de carburant ou d'huile.

- Vidangez le réservoir de carburant avant de remettre la machine. Il est en fait recommandé de le faire après chaque utilisation. Si le réservoir n'est pas vide, rangez alors la machine dans une position telle que le carburant ne risque pas de couler.
- Rangez la machine et le carburant dans un endroit où les vapeurs d'essence ne risquent pas d'entrer en contact avec des étincelles ou une flamme en provenance d'un chauffe-eau, d'un moteur électrique, d'un commutateur, d'une chaudière, etc.

ATTENTION!

Les systèmes anti-vibrations, aussi bon soient-ils, ne garantissent pas que vous ne puissiez pas souffrir de la maladie des doigts blancs, ni du syndrome du canal carpien. Par conséquent, si vous vous servez de façon régulière et continue de votre tronçonneuse, surveillez soigneusement l'état de vos mains et de vos doigts. Si l'un des symptômes ci-dessus venait à apparaître, il serait indispensable de vous faire examiner immédiatement par votre médecin.

Consignes de sécurité concernant le forage

- Ne jamais forer de matériaux autres que ceux pour lesquels l'unité a été conçue.
- Inspecter la zone à forer à chaque fois avant de commencer les opérations. Enlever tout ce qui risque d'être projeté ou de s'en mêler.
- Pour la protection des voies respiratoires, porter un masque de protection contre les aérosols lorsque l'on fore une zone traitée avec des insecticides.
- Veillez à ce que personne, enfants, animaux, spectateurs ou aides ne se tiennent à l'intérieur de la zone de sécurité de 5 mètres. Arrêtez immédiatement le moteur si quelqu'un s'approche de vous.
- Maintenez fermement la machine des deux mains.
- Tenez vous bien en équilibre sur vos deux jambes. Ne travaillez jamais en porte-à-faux. Demeurer toujours à une distance respectable du silencieux d'échappement et du dispositif

Sécurité au niveau de l'entretien

- Entretenez votre machine selon les recommandations du constructeur.
- Débranchez la bougie avant toute intervention d'entretien, à l'exception des opérations de réglages du carburateur.
- Ne laissez personne s'approcher de la machine lorsque vous procédez au réglage du carburateur.
- N'utilisez que les pièces de remplacement Tanaka d'origine comme recommandé par le fabricant.

Transport et rangement

- Portez la machine avec moteur arrêté et silencieux orienté vers l'extérieur.
- Laissez le moteur refroidir, videz le réservoir de carburant et veillez à ce que la machine ne risque pas de tomber lorsque vous la rangez ou la chargez à bord d'un véhicule.
- Vidangez le réservoir de carburant avant de remettre la machine. Il est en fait recommandé de le faire après chaque utilisation. Si le réservoir n'est pas vide, rangez alors votre tronçonneuse dans une position telle que le carburant ne risque pas de couler.
- Remisez la machine hors de portée des enfants.
- Nettoyer et entretenir l'outil soigneusement et le remiser dans un endroit sec.
- Assurez vous que le commutateur d'arrêt du moteur est bien sur la position "stop" lors du transport ou du remisage de la machine.
- Lors du transport de l'équipement dans un véhicule, couvrir l'outil tranchant avec le couvercle de protection ou une couverture.

Si vous rencontrez une situation non prévue dans le manuel, utilisez votre jugement et votre bon sens. Communiquez avec un concessionnaire Tanaka pour toute assistance. Dans les textes qui suivent, les passages particulièrement importants sont mis en évidence de trois manières différentes selon leur niveau de risque ou la gravité des dommages qui peuvent en résulter:

ATTENTION!

Information de première importance pour éviter des dommages corporels graves ou mortels.

IMPORTANT!

Information importante afin d'éviter les dommages corporels ou matériels.

REMARQUE!

Information importante pour la compréhension d'une intervention, évitant ainsi des erreurs.

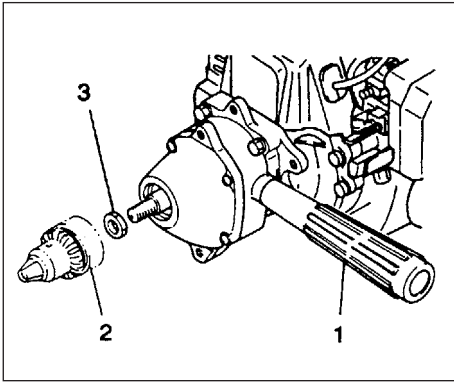


Fig.1-1

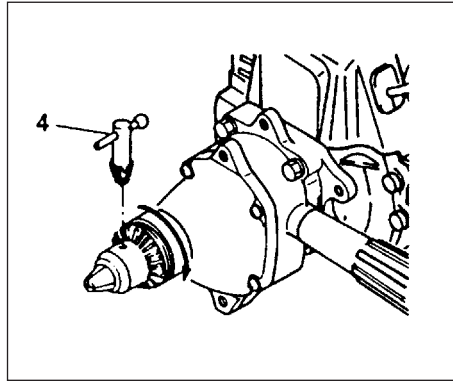


Fig.1-1B

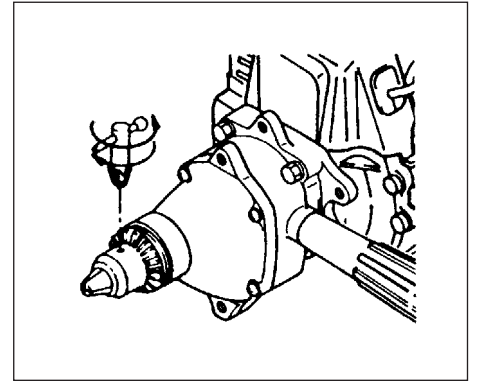


Fig.1-1C

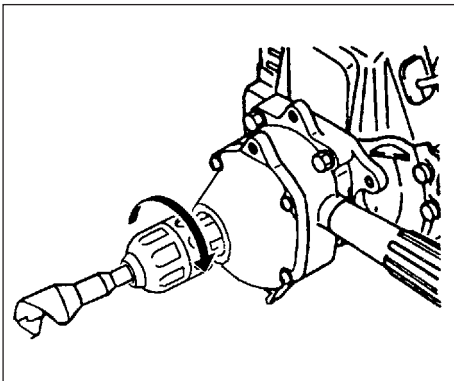


Fig.1-1D

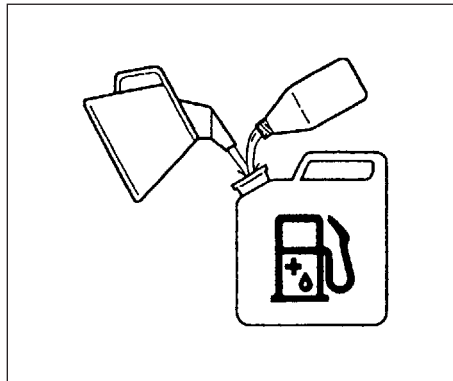


Fig.2-1

3. Montage

Assemblage (Fig. 1-1, 1B, 1C)

1. Monter le levier (1) qui est fourni avec l'unité sur la boîte d'engrenages.
2. Visser l'ensemble du mandrin (2) dans l'arbre d'entraînement (dans le sens des aiguilles d'une montre) après avoir installé le collier B (3). (s'il y a lieu)
3. Insérer le trépan devant être utilisé après avoir ouvert le mandrin par l'intermédiaire du levier du mandrin (4) et serrer le mandrin au myen du levier.

REMARQUE!

S'il y a un mandrin sans clavette, desserrer le mandrin et insérer le trépan. Ensuite, resserrer le mandrin en le tournant dans le sens des aiguilles d'une montre jusqu'à ce qu'il fasse entendre un <cliquetis> (Fig. 1-1D)

Sélection d'un trépan approprié

Sélectionner un trépan approprié au type de matériau devant être percé.

4. Procédes de fonctionnement

Carburant (Fig. 2-1)

⚠ ATTENTION!

Le perceuse électrique est équipé d'un moteur à deux temps et doit toujours être alimenté en mélange essence/huile. Veiller à une bonne aération pendant l'opération de remplissage du réservoir.

Essence

- Toujours utiliser de l'essence sans plomb avec un taux d'octane de 89.
- Utilisez une huile pour moteur à deux temps ou un mélange variant de 25:1 à 50:1; veuillez consulter le contenant d'huile pour la proportion du mélange ou communiquez avec un concessionnaire Tanaka.
- Et une proportion 50:1 pour l'Etat de la Californie uniquement.
- Si vous n'utilisez pas une huile d'origine, utilisez une huile de qualité contenant un antioxydant recommandée pour être utilisée avec un moteur à deux temps refroidi à l'air (HUILE JASO QUALITÉ FC OU ISO QUALITÉ EGC). Ne jamais utiliser des huiles mélangées BIA ou TCW (pour les moteurs à essence 2 temps à refroidissement par eau).
- Ne jamais utiliser d'huile Multigrade (10W/30), ni d'huile usagée.
- Effectuez toujours le mélange dans un récipient propre.

Toujours commencer par verser la moitié de l'essence à mélanger. Verser ensuite la totalité de l'huile. Mélanger en agitant le récipient. Enfin, verser le reste de l'essence, puis agiter le récipient afin de mélanger soigneusement le carburant avant de faire le plein.

Faire le plein

⚠ ATTENTION!

- **Ne jamais faire le plein lorsque le moteur est en fonctionnement.**
- **Desserrer lentement le bouchon du réservoir de carburant pour effectuer le remplissage afin de laisser échapper une surpression éventuelle.**
- **Serrer le bouchon soigneusement après avoir rempli le réservoir de carburant.**
- **Avant de redémarrer le moteur, toujours s'éloigner d'au moins trois mètres de l'endroit où vous avez fait le plein de carburant.**

Pendant le remplissage respectez les règles de propreté.

Essuyez autour du bouchon du réservoir afin d'éviter que des corps étrangers ne pénètrent dans le réservoir. Les saletés qui se trouveraient dans le réservoir risquant d'occasionner des troubles de fonctionnement.

Veillez à ce que le mélange soit bien homogène en agitant à intervalle régulier le récipient avant et pendant le remplissage.

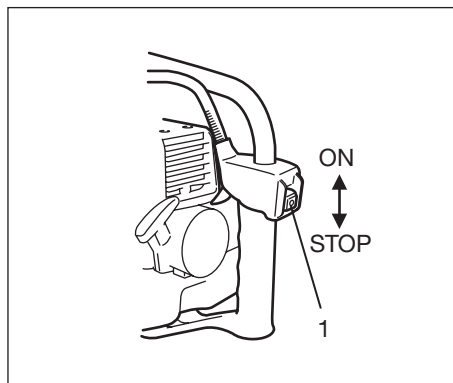


Fig. 2-2

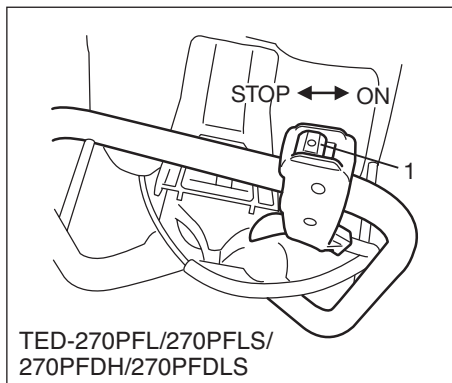


Fig. 2-2B

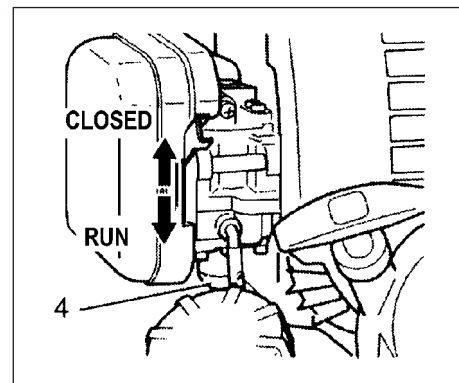


Fig. 2-3

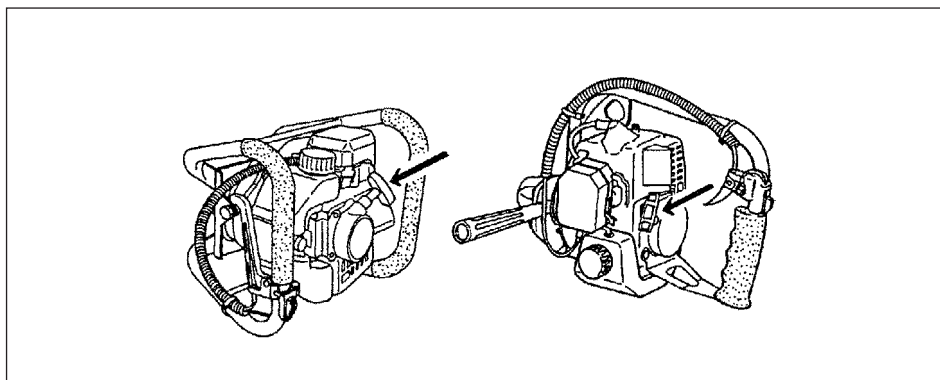


Fig. 2-4

Démarrage

1. Placer l'interrupteur marche-arrêt (1) en position marche (ON). (Fig. 2-2, 2B)
*Presser la poire de la pompe d'amorçage (4) à plusieurs reprises pour que le carburant puisse s'écouler par la poire ou par le tuyau de retour (5). (Si la machine est munie.) (Fig. 2-3)
2. Régler la manette du starter sur la position fermée. (Fig. 2-3)
3. Tirer vivement sur la corde du lanceur, en faisant attention de bien tenir la poignée sans la laisser se détacher brusquement. (Fig. 2-4)
4. Lorsqu'on sent que le moteur va démarrer, repousser la manette de starter dans la position de fonctionnement (ouverte). Puis tirer à nouveau vivement sur le lanceur. (Fig. 2-3)

REMARQUE!

Si le moteur ne se met pas en marche, répéter la procédure à partir des points 2 à 4.

5. Après avoir mis en marche le moteur, le laisser s'échauffer pendant 2 à 3 minutes avant de le soumettre à une charge quelconque.

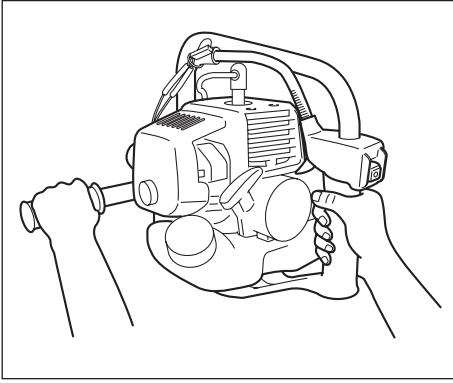


Fig. 2-5

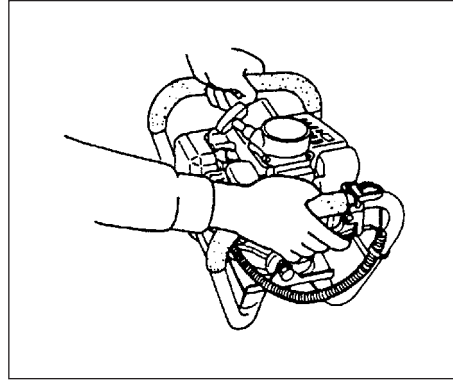


Fig. 2-5B

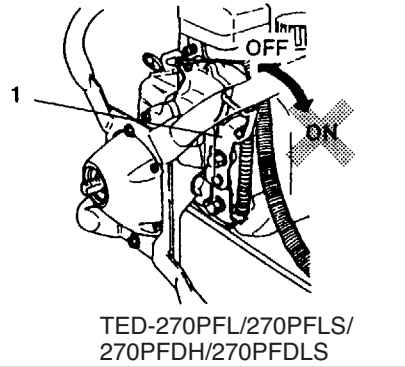
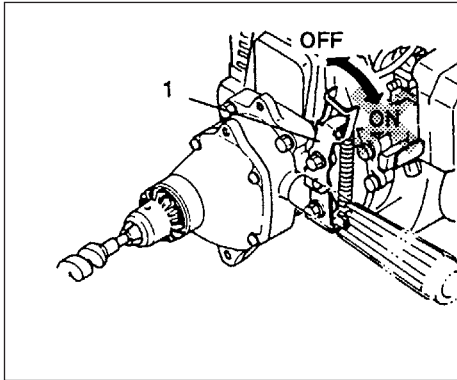
TED-270PFL/270PFLS/
270PFDH/270PFDLS

Fig. 2-5C

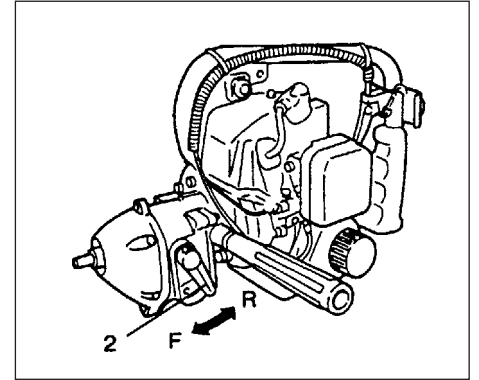


Fig. 2-5D

Perçage (Fig. 2-5, 5B)

- Toujours maintenir fermement l'unité des deux mains sur les poignées et le corps bien équilibré.
- Opérer l'unité avec une vitesse de régime moteur élevée et laisser pénétrer le foret dans la pièce. Ne pas forcer le foret dans l'orifice.
- Si des matériaux s'entourent autour de la pointe du foret, arrêter le moteur, laisser l'unité se refroidir et retirer le filament de la bougie d'allumage avant d'essayer de nettoyer le foret.
- Arrêter le moteur et inspecter l'unité si des bruits ou des vibrations anormales apparaissent

Comment opérer la commande de verrouillage (sur les modèles TED-270PFL/270PFLS/270PFDH/270PFDLS) (Fig. 2-5C)

REMARQUE!

Couper toujours le moteur avant l'opération de la commande de verrouillage.

- Lorsque l'outil tranchant est entré en contact avec un objet, couper le moteur et enclencher le levier de verrouillage (1).
- Faire tourner l'ensemble de l'unité dans le sens inverse des aiguilles d'une montre afin de pouvoir extraire facilement l'outil tranchant.
- Si l'unité ne se déplace pas, faire tourner un peu dans le sens des aiguilles d'une montre puis de nouveau dans le sens inverse des aiguilles d'une montre.

Comment opérer la commande inverse (sur le modèle TED-270PFR/270PFRS) (Fig. 2-5D)

- Réduire la vitesse du moteur jusqu'à la vitesse de ralenti et placer le levier de changement (2) en position R (Inverse) puis accélérer la vitesse pour retirer.
- Il se peut que le levier de changement ne se déplace pas, à moins que le moteur fonctionne.

* Le but principal de la commande de verrouillage et de la commande inverse est de permettre de retirer aisément l'outil tranchant.

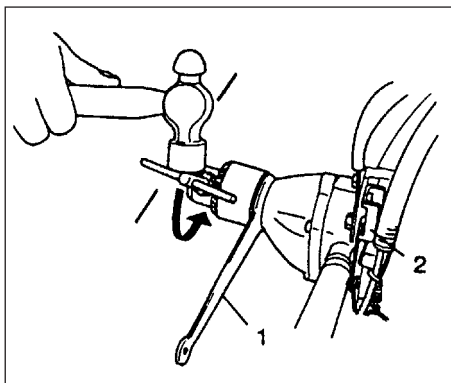


Fig. 2-6

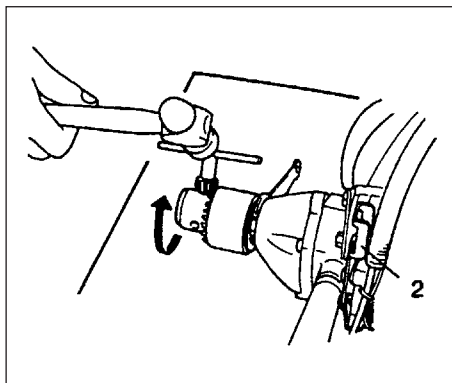


Fig. 2-6B

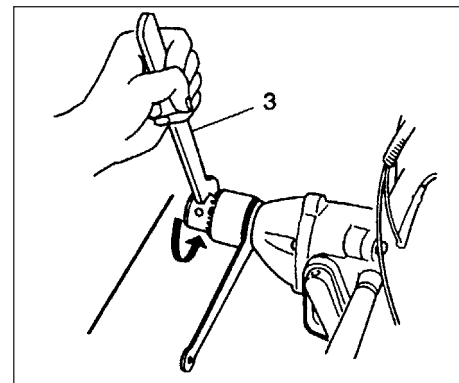


Fig. 2-7

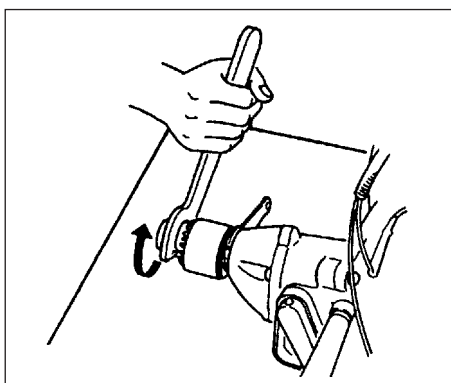


Fig. 2-7B

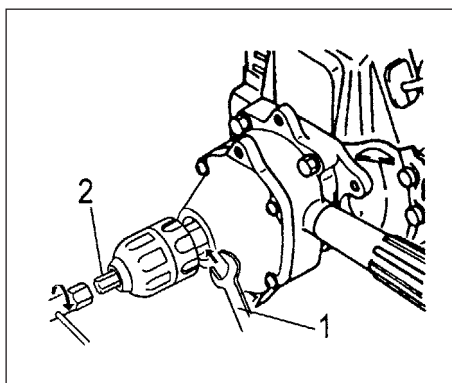


Fig. 2-7C

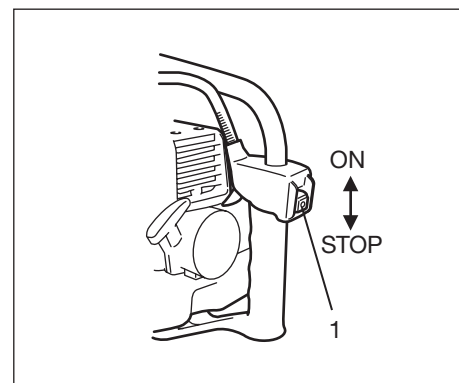


Fig. 2-8

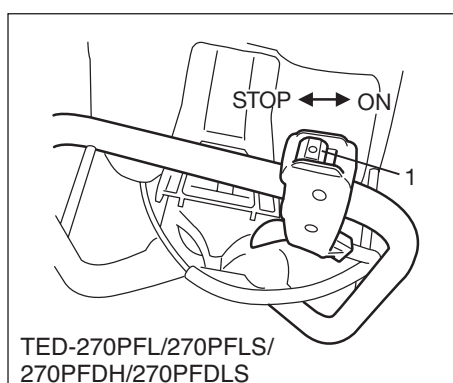


Fig. 2-8B

- Resserer la caresse plus assurément, régler une 19 mm clé (1) entre le cas d'engrenage et la caresse d'exercice pour verrouiller l'arbre d'unité. Allumer le levier de serrure (2) a frappé alors la poignée de caresse montée avec un marteau pour visser (dans le sens des aiguilles d'une montre) la caresse. (TED-270PFL/270PFLS/270PFDH/270PFDLS/270PFHS) (Fig. 2-6)
- desserrer la caresse, régler la clé sur l'autre côté et avoir frappé la poignée de caresse de ce côté pour visser hors (opposé dans le sens des aiguilles d'une montre), la caresse avec le levier de serrure sur. (TED-270PFL/270PFLS/270PFDH/270PFDLS/270PFHS) (Fig. 2-6B)

- la utiliser la clé plate de mont de caresse (3) au lieu de la poignée de caresse et resserre ou untighten manuellement au lieu de frapper. Ne pas frapper la clé plate de mont de caresse. (La fig. 2-7, 7B)
- installer ou desserrer la caresse sans clé, régler une 19 mm clé (1) entre le cas d'engrenage et la caresse pour verrouiller l'arbre d'unité. Installer la barre verrouillant (2) dans le sac d'outil dans la caresse, et alors resserer (dans le sens des aiguilles d'une montre) la barre (2) avec la clé de boîte enclose ou desserre (opposé dans le sens des aiguilles d'une montre). (Fig.2-7C)

Arrêt (Fig. 2-8, 8B, 8C)

- Réduire le régime du moteur et pousser le commutateur d'arrêt sur la position "Stop". arrière.

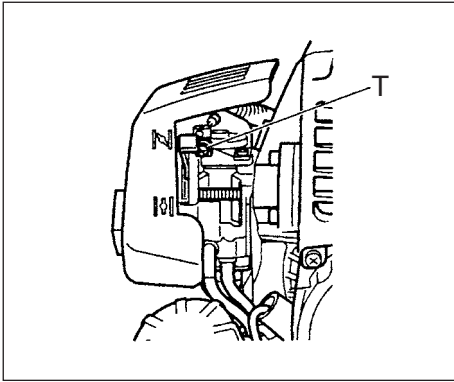


Fig. 3-1

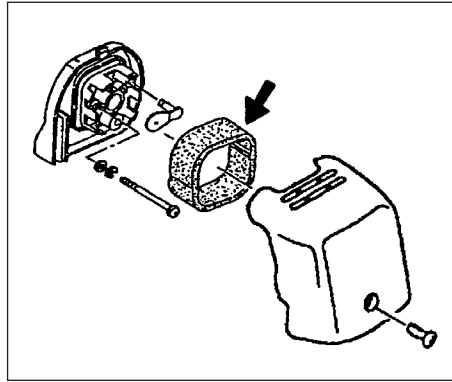


Fig. 3-2

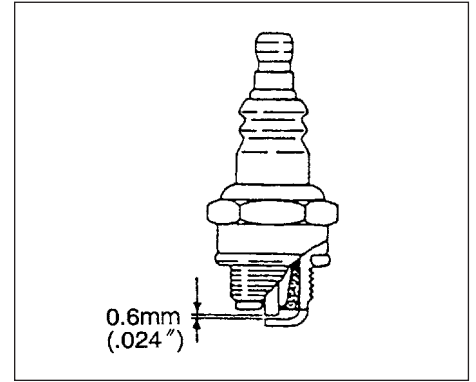


Fig. 3-3

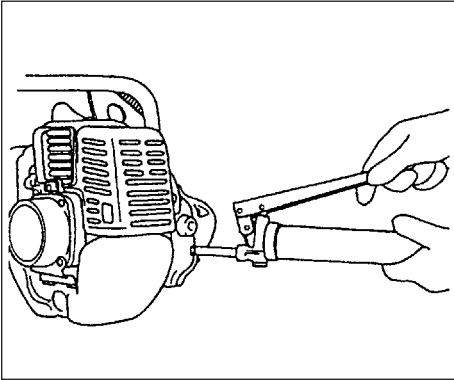


Fig. 3-4

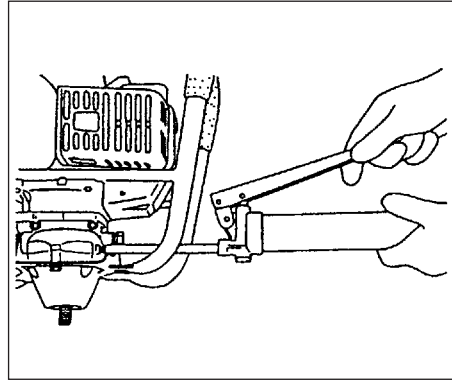


Fig. 3-4B

5. Entretien

L'ENTRETIEN. LE REMPLACEMENT OU LA REPARATION DES DISPOSITIFS ET SYSTEMES DE CONTRÔLE DE L'ÉCHAPPEMENT PEUVENT ÊTRE EFFECTUÉS PAR N'IMPORTE QUEL ATELIER DE RÉPARATION OU MÉCANICIEN DE MOTEUR NON AUTOMOBILE.

Réglage du carburateur (Fig. 3-1)

⚠ ATTENTION!

Il se peut que le foret tourne pendant le réglage du carburateur.

⚠ ATTENTION!

Ne jamais démarrer le moteur avant que le carter de protection d'embrayage et la boîte d'engrenage soient parfaitement assemblés. Autrement le carter d'embrayage risquerait de se détacher et de causer un accident corporel.

Dans le carburateur, l'air est mélangé à l'essence. Le carburateur est réglé pendant les essais en usine. Ce réglage peut nécessiter des modifications selon les conditions climatiques et l'altitude. Le carburateur présente une possibilité de réglage.

T = Vis de réglage du ralenti

Réglage du ralenti (T)

Vérifier que le filtre à air est propre. Quand la vitesse de ralenti est correcte, la mèche ne doit pas tourner. Si un réglage est nécessaire, visser (dans le sens des aiguilles d'une montre) la vis en T, avec le moteur en marche, jusqu'à ce que la mèche commence à tourner.

Dévisser (dans le sens inverse des aiguilles d'une montre) la vis jusqu'à ce que la mèche s'arrête. La vitesse de ralenti correcte a été atteinte lorsque le moteur fonctionne sans problème dans toutes les positions en-dessous de la vitesse de rotation (nombre de tours/minute) à laquelle la mèche commence à tourner. Si la mèche tourne encore après le réglage du régime de ralenti, communiquez avec un concessionnaire Tanaka.

⚠ ATTENTION!

Le lame doit être absolument immobile avec le moteur tournant au ralenti.

Filtre à air (Fig. 3-2)

Nettoyer le filtre à air régulièrement pour éviter :

- Les troubles de fonctionnement du carburateur.
- Les problèmes de démarrage.
- Les pertes de puissance.
- L'usure prématurée des organes du moteur.
- Une consommation anormalement élevée.

Nettoyer le filtre à air tous les jours, plus fréquemment en milieu poussiéreux.

Nettoyage du filtre

Démonter le carter du filtre à air et sortir le filtre. Le laver dans de l'eau savonneuse chaude. Veiller ensuite à ce qu'il soit bien sec avant de le remonter. Un filtre à air ayant servi longtemps ne peut être complètement nettoyé. Pour cette raison, le filtre doit être remplacé régulièrement par un filtre neuf. Toujours remplacer un filtre endommagé.

REMARQUE!

Imprégner l'élément d'huile pour moteur deux temps ou équivalente. Presser l'élément pour distribuer complètement l'huile et en éliminer l'excès.

Bougie (Fig. 3-3)

L'état de la bougie est influencé par :

- Un mauvais réglage du carburateur
- Un mélange incorrect (trop riche en huile)
- Un filtre à air sale
- Des conditions d'utilisation difficiles (par temps froid par exemple)

Ces facteurs contribuent à la formation de dépôts sur les électrodes de la bougie et peuvent entraîner des troubles de fonctionnement et des difficultés de démarrage. Si la taille-haies manque de puissance, si il démarre mal ou si son ralenti est irrégulier, toujours commencer par vérifier l'état de la bougie. Si la bougie est encrassée, la nettoyer et vérifier l'écartement des électrodes (0,6 mm). La bougie devra être remplacée après une certaine d'heures d'utilisation ou plus tôt si les électrodes sont endommagées.

REMARQUE!

Dans certaines régions, la réglementation locale exige l'utilisation d'une bougie équipée d'une résistance d'antiparasitage afin d'éliminer les signaux d'allumage. Si cette machine était équipée à l'origine d'une bougie avec résistance d'antiparasitage, utiliser le même type de bougie lorsque vous la remplacez.

Boîte d'engrenages (Fig. 3-4, 4B)

Appliquer de la graisse à base de lithium de bonne qualité à travers la garniture de graissage. Il faut faire la lubrification aux intervalles de 50 heures ou plus fréquemment encore au cours des durs travaux.

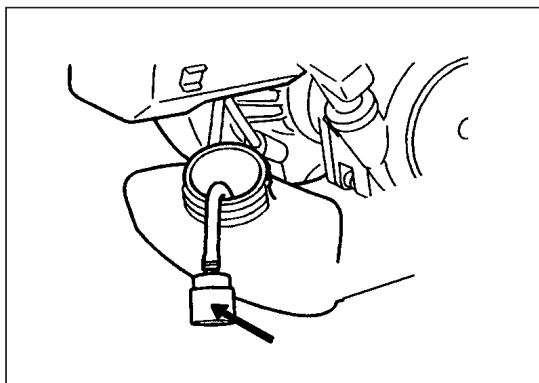


Fig. 3-5

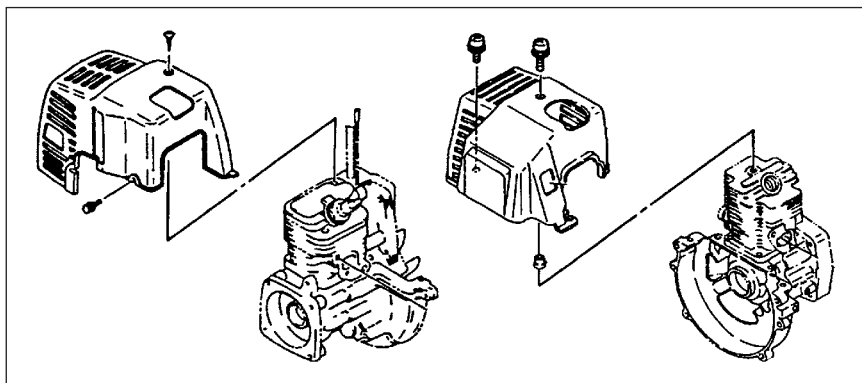


Fig. 3-6

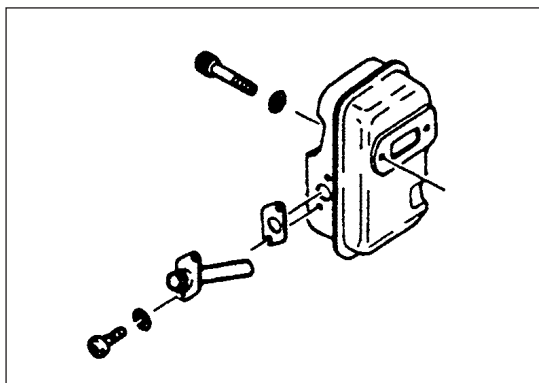


Fig. 3-7

Nettoyage du filtre à carburant (Fig. 3-5)

Retirer le filtre à carburant du réservoir et le laver soigneusement dans un solvant. Le remettre ensuite en place en le poussant complètement dans le réservoir.

REMARQUE!

Si le filtre a durci à cause des impuretés contenues dans le carburant, il convient de le remplacer.

Nettoyage des ailettes du cylindre (Fig. 3-6)

Si des copeaux de bois, sont coincés entre les ailettes du cylindre, le moteur risque de surchauffer, diminuant ainsi le rendement. Afin d'éviter une telle éventualité, maintenir en permanence les ailettes du cylindre et le carter du ventilateur dans un état de propreté. Après cent heures d'opération, ou une fois par an (plus fréquemment si requis par les conditions d'opération), nettoyer les ailettes et la surface extérieure du moteur afin d'enlever la poussière, les saletés et les dépôts d'huile qui risqueraient d'empêcher un refroidissement adéquat du moteur.

Nettoyage du silencieux (Fig. 3-7)

Démonter le silencieux et le pare-étincelles (si la machine est équipée d'un tel dispositif) et nettoyer régulièrement les résidus de carbone déposés au niveau de l'orifice d'échappement et de l'entrée du silencieux toutes les 100 heures de service.

Lors d'un stockage prolongé

Vider le réservoir de carburant. Mettre en marche le moteur et le laisser tourner jusqu'à ce qu'il s'arrête de lui-même. Effectuer toutes les réparations nécessaires sur les pièces endommagées pendant l'utilisation. Nettoyer la machine en utilisant un chiffon propre ou à l'aide d'un jet d'air comprimé.

Introduire quelques gouttes d'huile pour moteur deux temps par le trou de la bougie d'allumage et faire tourner plusieurs fois le moteur pour bien distribuer l'huile. Recouvrir la machine et la remettre dans un endroit à l'abri de l'humidité.

Entretien

Vous trouverez ci-dessous quelques conseils d'entretien d'ordre général. Pour plus d'informations, veuillez communiquer avec un concessionnaire Tanaka.

Entretien quotidien

- Nettoyer extérieurement le taille-haies.
- Vérifier que l'outil de forage est bien centré, affûté et qu'il ne présente pas de fissures. Un foret décentré provoque des susceptibles d'endommager l'unité.
- Vérifier que l'écrou de forage est suffisamment resserré.
- Vérifier le serrage de tous les écrous et vis, surtout les écrous fixant le filtre à air.





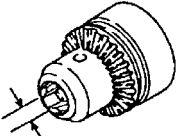
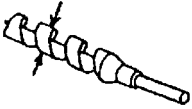
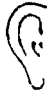

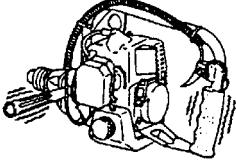
Entretien hebdomadaire

- Contrôler le lanceur, sa corde et son ressort de rappel,
- Nettoyer la bougie extérieurement, la démonter et contrôler l'écartement de ses électrodes, qui doit être de 0.6 mm.
- La remplacer le cas échéant.
- Nettoyer les ailettes de refroidissement du cylindre et vérifier que la prise d'air située au niveau du lanceur n'est pas obstruée.
- Vérifiez que le carter d'engrenage est rempli aux 3/4 de graisse.
- Nettoyer le filtre à air.

Entretien mensuel





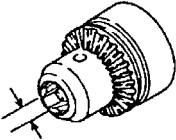
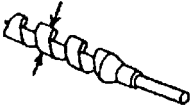
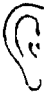

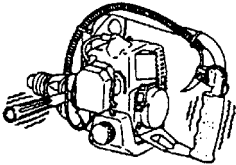
- Rincer le réservoir de carburant à l'essence.
- Nettoyer extérieurement le carburateur et son logement.
- Nettoyer le ventilateur et son logement.

6. Caractéristiques

MODELE	TED-270PFL/ TED-270PFLS	TED-270PFR/ TED-270PFRS	TED-270PFHS
			
Taille du moteur (ml)	26.9 (1.64 cu. in.)	←	←
			
Bougie d'allumage.....	Champion CJ-8 ou équivalent	←	←
			
Contenance du réservoir..... de carburant (l)	0.67 (22.8 fl. oz)	←	←
			
Poids à sec (kg).....	5.1 (11.2 lbs)	5.6 (12.3 lbs)	5.0 (11.0 lbs)
			
La Capacité de caresse (mm).....	12.7 (1/2 in)	←	←
Conduire le Diamètre d'Arbre.....	1/2"-20 UNF	←	←
			
Maximum la taille de morceau (mm)..... (Le Bois)	25.4 (1 in)	←	←
Le Contrôle d'Inverse			
Le Contrôle de Serrure			
			
Niveau de pression sonore	LpA 95.1	95.1	95.1
(dB(A)) (EN 27917)			
			
Niveau de puissance sonore.....	LwA 116	116	116
(dB(A))			
			
Niveau de vibrations (m/s ²) (ISO 7916)			
Poignée avant	7.1	7.1	7.1
Poignée arrière	7.2	7.2	7.2

REMARQUE : Les niveaux de bruit/vibrations équivalents sont calculés comme total d'énergie pondérée en fonction du temps pour les niveaux de bruit/vibrations dans diverses conditions de travail avec la répartition temporelle suivante : 1/2 ralenti, 1/2 vitesse de course.

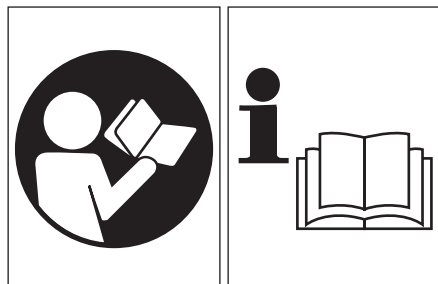
*Toutes les données sont sujettes à modifier sans préavis.

MODELE	TED-270PFDH	TED-270PFDLS
		
Taille du moteur (ml)	26.9 (1.64 cu. in.)	←
		
Bougie d'allumage.....	Champion CJ-8 ou équivalente	←
		
Contenance du réservoir..... de carburant (l)	0.67 (22.8 fl. oz)	←
		
Poids à sec (kg).....	6.6	6.6
		
La Capacité de caresse (mm).....	12.7(1/2 in)	←
Conduire le Diamètre d'Arbre.....	1/2"-20 UNF	←
		
Maximum la taille de morceau (mm)..... (Le Bois)	25.4 (1 in)	←
Le Contrôle d'Inverse		
Le Contrôle de Serrure		
		
Niveau de pression sonore	LpA (dB(A)) (EN 27917) 94.0	94.1
		
Niveau de puissance sonore.....	LwA 104	104
		
Niveau de vibrations (m/s ²) (ISO 7916)		
Poignée avant	7.81	Right 6.50
Poignée arrière	5.66	Left 6.76

REMARQUE : Les niveaux de bruit/vibrations équivalents sont calculés comme total d'énergie pondérée en fonction du temps pour les niveaux de bruit/vibrations dans diverses conditions de travail avec la répartition temporelle suivante : 1/2 ralenti, 1/2 vitesse de course.
*Toutes les données sont sujettes à modifier sans préavis.

Tanaka®

TED-270PFL/PFLS
TED-270PFR/PFRS
TED-270PFHS/PFDH
TED-270PFDLS

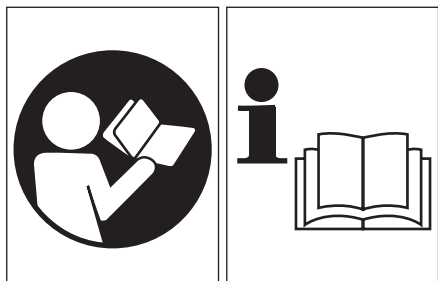


Leggere attentamente il manuale
prima di mettere in funzione
questa apparecchiatura.

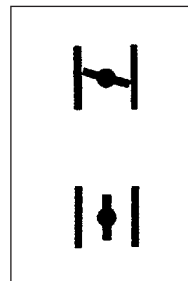
Manuale d'istruzioni

ATTENZIONE

I gas di scarico del motore di questo prodotto contengono elementi chimici noti allo stato della California come cause di cancro, difetti congeniti e altri danni al sistema riproduttivo.



È importante leggere, comprendere a fondo e osservare le seguenti precauzioni di sicurezza e avvertenze. Disattenzione o un uso improprio dell'unità possono causare lesioni gravi o fatali.



Spiega la posizione della valvola dell'aria. Il segno superiore indica che la valvola dell'aria è chiusa e quello inferiore indica che la valvola dell'aria è completamente aperta.



Leggere con attenzione e seguire tutte le avvertenze e le istruzioni all'interno del manuale.



Non toccare la punta quando il motore è in funaione.



Indossare sempre protezioni per gli occhi, per la testa e per le orecchie quando usate la macchina.

Prima di usare la macchina

- Leggere attentamente il manuale di istruzioni.
- Controllare il montaggio e la regolazione del gruppo di taglio.
- Mettere in moto l'unità e controllare la registrazione del carburatore. Vedere "Manutenzione".

Dichiarazione di conformità

Noi, Nikko Tanaka Engineering Co., Ltd., 3-4-29 Tsudanuma, Narashino, Chiba, Japan

Dichiariamo sotto la nostra unica responsabilità che il prodotto, il mototrapano modello

TED-270PFL/PFLS
 TED-270PFR/PFRS
 TED-270PFHS/PFDH
 TED-270PFDLS

al quale questa dichiarazione si riferisce, è-conforme ai requisiti di sicurezza essenziali delle direttive.

98/37/EC, 89/336/EEC, 2000/14/EC

Sono stati presi in considerazione i seguenti standard. ISO 3864 (EN ISO 12100-1/2)

Luogo : Chiba, Japan li 01/01/2008

Firma:



Yoshio Osada

Num. di serie da E001001

Incarico : Direttore

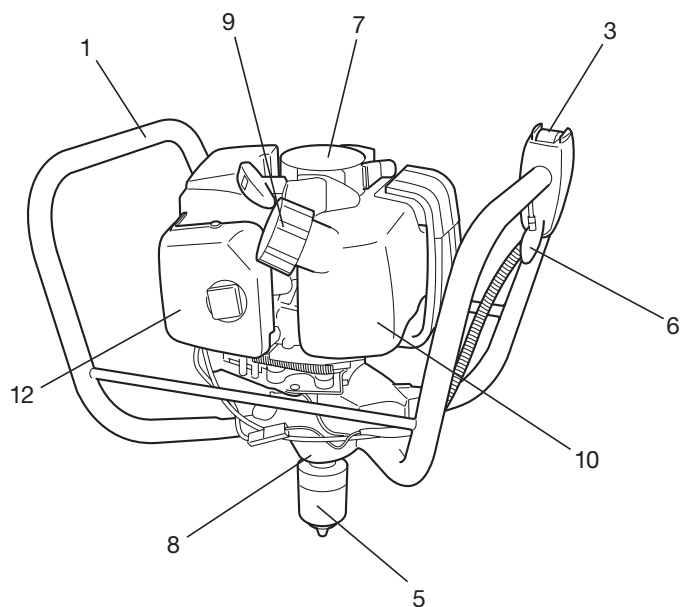
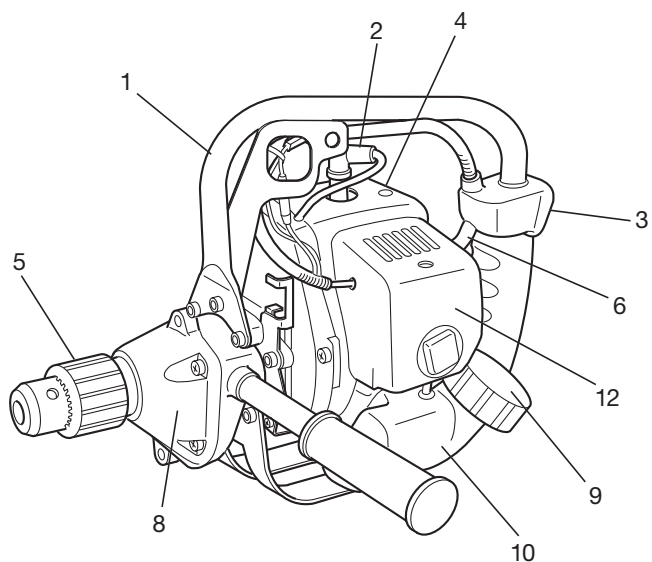
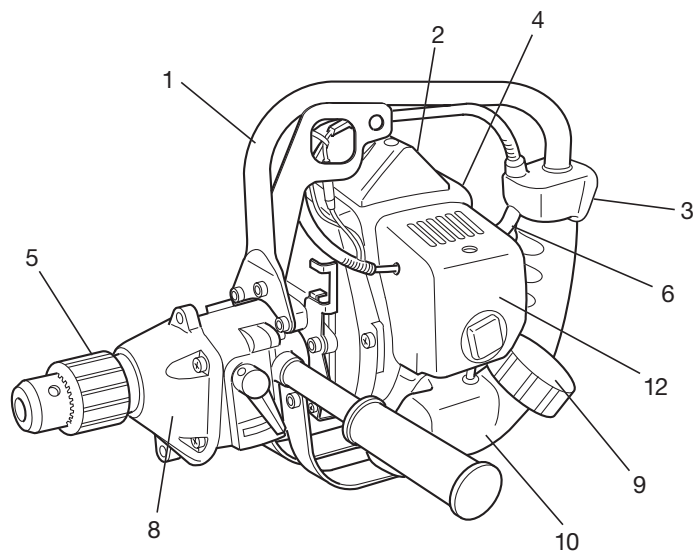
Indice

Descrizione	4
Avvertenze ed istruzioni di sicurezza	5
Procedimento di montaggio	6
Funzionamento	6
Manutenzione	10
Specifiche	12

1. Descrizione

Dato che questo manuale si riferisce a svariati modelli, potrà verificarsi che vi siano delle differenze tra la vostra macchina e quella illustrata in figura. Usare le istruzioni che si riferiscono al vostro apparecchio.

1. Impugnatura
2. Cappuccio candela
3. Interruttore di accensione
4. Silenziatore
5. Mandrino
6. Leva dell'acceleratore
7. Avviamento autoavvolgente
8. Carter riduttore
9. Tappo del serbatoio carburante
10. Serbatoio carburante
11. Leva del cambio
12. Filtro dell'aria
13. Foro di cinghia



2. Avvertenze ed istruzioni di sicurezza

Sicurezza dell'operatore

- Indossare sempre una protezione per il viso oppure occhiali di protezione.
- Indossare sempre indumenti pesanti, pantaloni lunghi, stivali e guanti. Non indossare vestiti leggeri, gioielli, pantaloni corti, sandali e non camminare senza scarpe. I capelli devono essere raccolti, sopra le spalle.
- Non usare questa macchina se siete stanchi, malati, oppure sotto l'effetto di alcolici, droghe o medicinali.
- Non consentite mai l'uso della macchina a bambini o a persone prive di esperienza.
- Proteggere le orecchie.
- Non mettere mai in moto o usare il motore in locali chiusi. I gas di scarico sono letali.
- Aver cura nel mantenere pulito il manubrio, senza la presenza di olio o carburante.
- Tenere le mani lontane dal dispositivo di trapanatura.
- Non afferrare o tenere l'unità per il dispositivo di trapanatura.
- Quando si spegne l'unità, accertarsi che il dispositivo di trapanatura si sia fermato prima di deporre l'unità.
- Quando si usa l'unità per periodi prolungati, fare una pausa di tanto in tanto in modo da evitare il rischio della malattia delle dita bianche, che è causata dalle vibrazioni.

Sicurezza dell'attrezzo

- Controllare unit macchina prima dell'uso. Sostituire le parti danneggiate. Controllare la presenza di eventuali perdite di carburante e verificare che gli attacchi siano ben serrati.
- Sostituire le parti rotte e danneggiate prima di usare l'unit / macchina
- Tenere gli estranei a distanza durante la registrazione del carburatore.
- Usare esclusivamente gli accessori consigliati per l'unit macchina dalla casa costruttrice.

⚠ ATTENZIONE!

Non modificate mai l'attrezzo in nessun modo.

Non usate l'attrezzo di trapanatura per lavori diversi da quelli ai quali è destinato.

Sicurezza del carburante

- Mescolare e versare il carburante all'esterno, lontano da fiamme e scintille.
- Usare recipienti omologati per i carburanti.
- È vietato fumare nelle vicinanze del carburante e dell'unità/macchina e durante l'uso di quest'ultimo.
- Ripulire eventuali perdite di carburante prima di avviare il motore.
- Prima di mettere in moto, spostarsi di almeno 3 metri dalla zona di rifornimento del carburante.
- Arrestare il motore prima di rimuovere il tappo del serbatoio.
- Svotare il serbatoio del carburante prima di riporre l'unità/macchina dopo l'uso. In caso ci sia del carburante residuo, controllare che non ci sia la possibilità di fuoriuscita del carburante.
- Riporre l'unità/macchina e il carburante al sicuro, lontano da fiamme o scintille generate da interruttori, motori elettrici o simili.

⚠ ATTENZIONE!

I sistemi antivibrazioni non garantiscono che potrete evitare malattie come le dita bianche o la sindrome del canale carpale. Pertanto, coloro che usano l'unità continuamente e regolarmente devono tenere sotto stretto controllo le condizioni delle mani e delle dita. Se compaiono i sintomi di una delle malattie sopracitate, consultare un medico immediatamente.

Sicurezza di trapanatura

- Non trapanare materiali diversi da quelli ai quali questo attrezzo è destinato.
- Controllare la zona da trapanare prima dell'uso dell'attrezzo. Rimuovere eventuali oggetti che possono essere lanciati a distanza o rimanere impigliati durante l'operazione di trapanatura.
- Per proteggere le vie respiratorie, indossare una maschera di protezione da aerosol quando si trapano un'area su cui sono stati usati degli insetticidi.
- Tenere le altre persone, i bambini, gli animali ed altri estranei, distanti almeno 5 metri dalla zona. Arrestare immediatamente il motore se qualcuno si avvicina alla macchina.
- Impugnare l'unità/macchina saldamente con entrambe le mani.
- Mantenere sempre una posizione di equilibrio. Non sbilanciarsi.
- Quando il motore è in moto, non avvicinare la marmitta e il dispositivo di trapanatura al corpo.

Sicurezza della manutenzione

- Per la manutenzione dell'unità/macchina seguire i procedimenti indicati.
- Staccare la candela prima delle operazioni di manutenzione, ad eccezione della registrazione del carburatore.
- Tenere gli estranei a distanza durante la registrazione del carburatore.
- Usare solo ricambi originali Tanaka come raccomandato dal produttore.

Trasporto e deposito

- Trasportare l'unità/macchina con cautela, a motore spento e tenendo la marmitta lontana dal corpo.
- Far raffreddare il motore, svotare il serbatoio del carburante e bloccare l'unità/macchina prima del deposito o del trasporto.
- Svotare il serbatoio del carburante prima di riporre l'unità/macchina. Si raccomanda di svotare il serbatoio ogni volta dopo l'uso dell'unità/macchina. In caso di carburante residuo nel serbatoio, assicurarsi che non ci siano perdite.
- Riporre l'unità/macchina al sicuro, lontano dalla portata dei bambini.
- Pulire accuratamente la macchina e riporla in un luogo asciutto.
- Pulire ed eseguire la manutenzione dell'unità con cura, e conservarla in un luogo asciutto.
- Assicurarsi sempre che l'interruttore del motore sia disattivato quando si trasporta o si ripone la macchina.
- Quando trasportate la macchina in un veicolo, coprite la punta con il coperchio della punta o con una coperta.

In altri casi non previsti da questo manuale, agire con cautela e buon senso. Contattare un rivenditore Tanaka in caso di necessità. Punti particolarmente significativi sono indicati in tre modi diversi a seconda del grado di importanza:

⚠ ATTENZIONE!

Informazione di particolare importanza per evitare incidenti gravi o mortali.

IMPORTANTE!

Indicazione da seguire per evitare danni alla persona o alla macchina.

NOTA!

Informazione utile per un corretto uso e funzionamento.

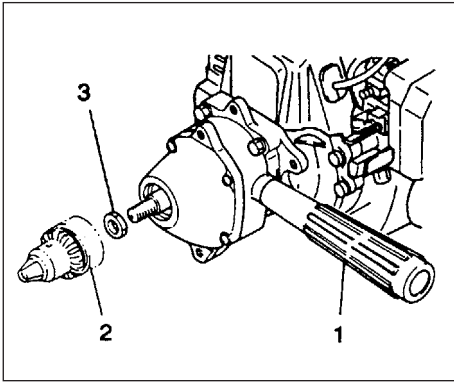


Fig.1-1

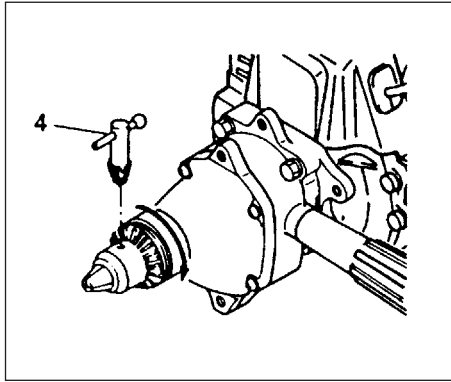


Fig.1-1B

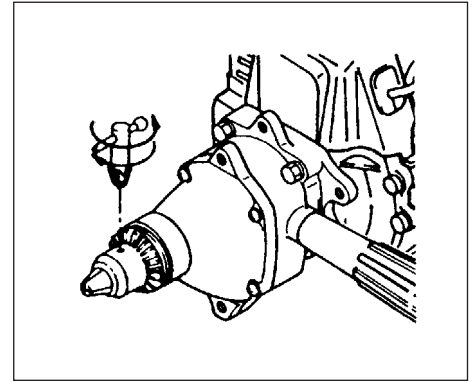


Fig.1-1C

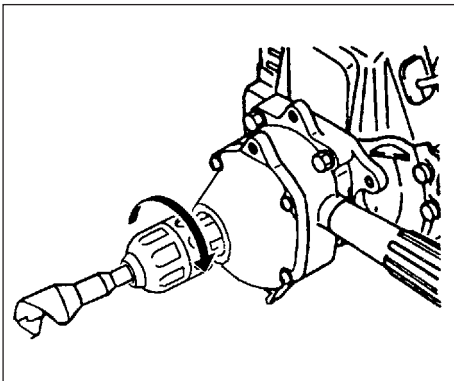


Fig.1-1D

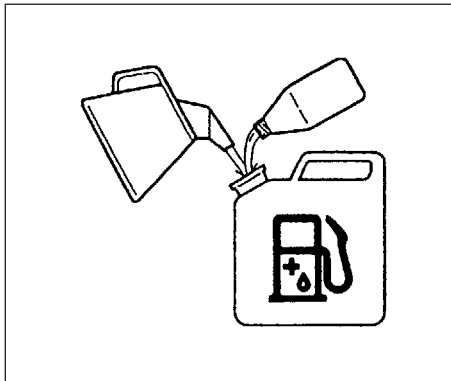


Fig.2-1

3. Procedimento di montaggio

Montaggio (Fig. 1-1, 1B, 1C)

1. Montate l'impugnatura (1) in dotazione, avvitandola sul carter del riduttore.
2. Avvitare il mandrino (2) sull'albero d'uscita (girando in senso orario) dopo aver inserito il distanziale B (3). (se presente)
3. Inserite la punta che intendete utilizzare nel mandrino, dopo averlo aperto con la chiave (4) in dotazione. Usate la stessa chiave per serrare il mandrino.

NOTA!

Se il modello è equipaggiato con mandrino senza chiave, allentare il mandrino portapunta e inserire la punta. Quindi stringete il mandrino girandolo in senso orario finchè non si sente uno "scatto". (Fig. 1-1D)

Scelta della punta trivella piu' adatta

Scegliete la punta più adatta in funzione del materiale da perforare.

4. Funzionamento.

Carburante (Fig. 2-1)

⚠ ATTENZIONE!

Il trapano motorizzato è equipaggiato con un motore a due tempi. Utilizzare sempre carburante mescolato con olio. Effettuare il rifornimento del carburante in luoghi ventilati.

Carburante

- Utilizzare sempre benzina senza piombo tipo 89.
- Usare olio per 2 tempi oppure una miscela tra 25:1 a 50:1; verificare le prescrizioni per la miscela sulla bottiglietta dell'olio oppure rivolgersi ad un rivenditore Tanaka.
- Solo per lo stato della California di 50:1.
- Se non è disponibile un olio appropriato, usare un olio di qualità addizionato con dell'anti-ossidante espressamente sviluppato per motori 2 tempi raffreddati ad aria (OLIO JASO FC GRADE oppure ISO EGC GRADE). Non utilizzate olio miscelato BIA o TCW (per motori a 2 tempi raffreddati ad acqua).
- Non usare mai olio multigrado (10W/30) o olio di scarto.
- Mescolare sempre carburante ed olio in un recipiente separato pulito.

Iniziare sempre col versare la metà del carburante che deve essere usato. Successivamente versare l'intera quantità di olio. Mescolare (agitare) la miscela. Aggiungere la restante metà del carburante. Mescolare (agitare) la miscela prima di versarla nel serbatoio.

Rifornimento

⚠ ATTENZIONE!

- Spegner sempre il motore prima del rifornimento.
- Quando si effettua il rifornimento di carburante, aprire lentamente il serbatoio del carburante in modo da eliminare un eventuale eccesso di pressione.
- Stringere bene il tappo del serbatoio, dopo il rifornimento.
- Prima di mettere in funzione l'attrezzo, allontanare sempre l'attrezzo di almeno 3 metri dalla zona dove è avvenuto il rifornimento.

Prima del rifornimento, pulire la zona intorno al tappo con cautela, per evitare la penetrazione di sporco nel serbatoio. Controllare che la miscela sia ben mescolata, agitando il recipiente, prima dei rifornimento.

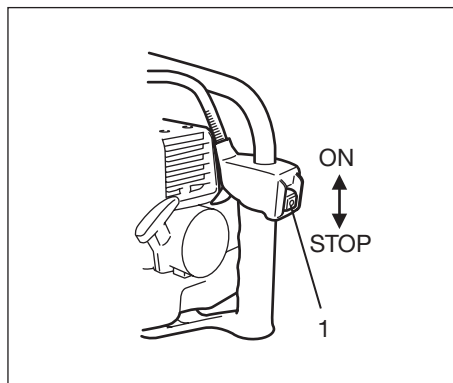
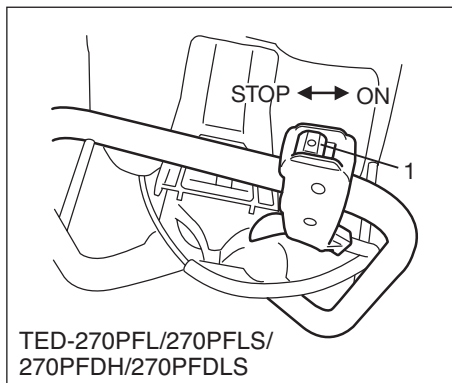


Fig. 2-2



TED-270PFL/270PFLS/
270PFDH/270PFDLS

Fig. 2-2B

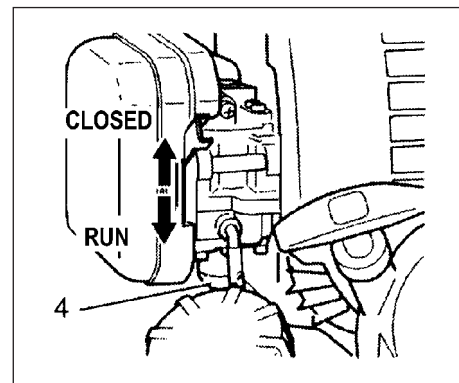


Fig. 2-3

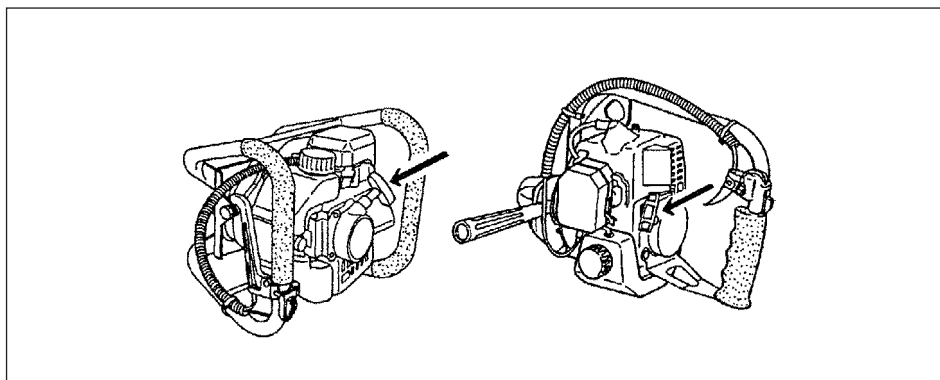


Fig. 2-4

Avviamento

1. Spostare l'interruttore di spegnimento. (Fig. 2-2, 2B)
- * Premere ripetutamente il bulbo (4) del primer per far affluire la miscela al carburatore attraverso il bulbo o il tubo di ritorno (5) (se la macchina ne é fornita). (Fig. 2-3)
2. Chiudere l'aria portando la leva in posizione. (Fig. 2-3)
3. Tirare rapidamente la miniglia dell'avviamento, riaccompagnandola poi in sede. (Fig. 2-4)
4. Ai primi scoppi del motore, riaprire l'aria prima di agire nuovamente sulla maniglia di avviamento. (Fig. 2-3)

NOTA!

Se il motore non parte, ripetere le operazioni dal 2 al 4.

5. Dopo aver avviato il motore, lasciate scaldare il motore, per circa 2-3 minuti prima di sottoporlo a qualsiasi carico.

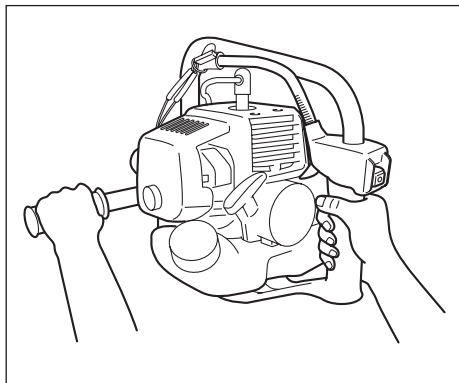


Fig. 2-5

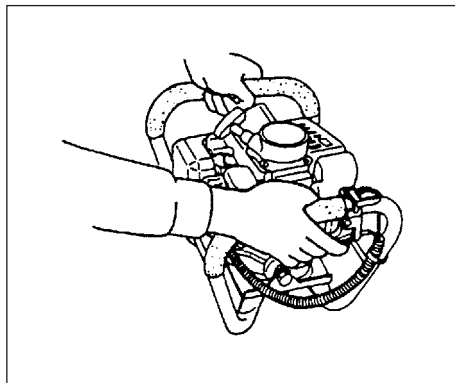


Fig. 2-5B

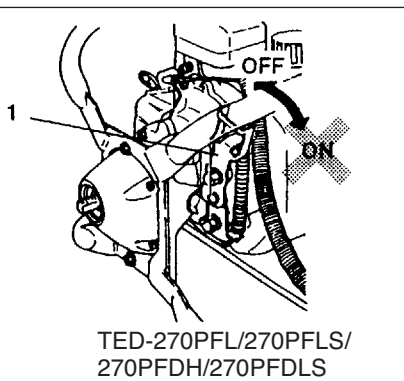
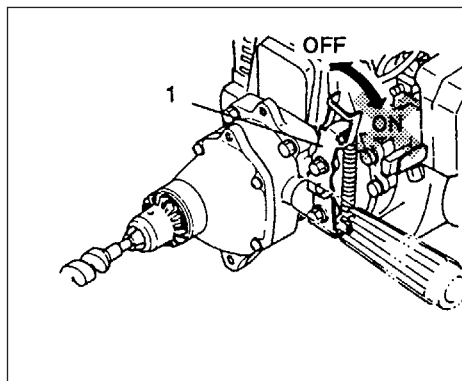


Fig. 2-5C

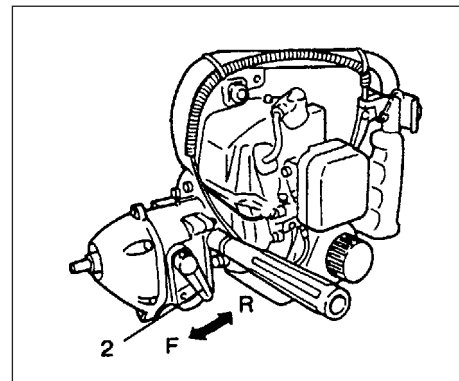


Fig. 2-5D

Perforazione (Fig. 2-5, 5B)

- Tenere sempre l'unità saldamente con entrambe le mani sui manici e con il corpo ben bilanciato.
- Usare l'unità con il motore ad alta velocità e lasciar lavorare la punta da trapano. Non forzare la punta nel foro.
- Se del materiale dovesse avvolgersi attorno alla punta da trapano, fermare il motore, lasciar raffreddare l'unità e rimuovere il filo dalla candela prima di tentare di liberare la punta.
- Fermare il motore e ispezionare l'unità se si notano vibrazioni o rumori anormali.

Come azionare il comando di bloccaggio (sul modello TED-270PFL/270PFLS/ 270PFDH/270PFDLS) (Fig. 2-5C)

NOTA!

Fermare sempre il motore prima di azionare il comando di bloccaggio.

- Quando la punta si inceppa in un oggetto, fermare il motore e attivare la leva di bloccaggio (1).
- Ruotare l'intera unità in senso antiorario in modo che la punta possa estrarsi facilmente.
- Se l'unità non si muove, ruotarla un poco in senso orario e quindi nuovamente in senso antiorario.

Come azionare il comando di inversione (sul modello TED-270PFR/270PFRS) (Fig. 2-5D)

- Ridurre la velocità del motore fino a portare il motore al minimo e spostare la leva del cambio (2) nella posizione R (inversione), quindi accelerare per estrarre.
 - È possibile che la leva del cambio non si muova a meno che funzioni il motore. Se è così, far girare un poco il mandrino di trapano a mano.
- * Lo scopo del comando di bloccaggio e del comando di inversione è principalmente una facile estrazione della punta.

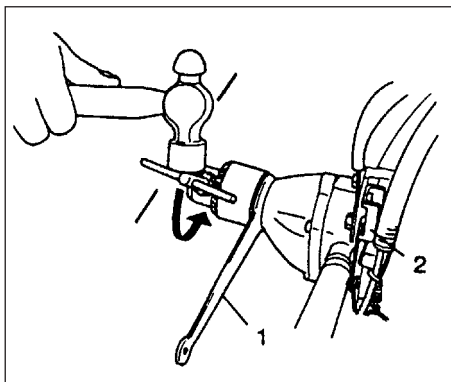


Fig. 2-6

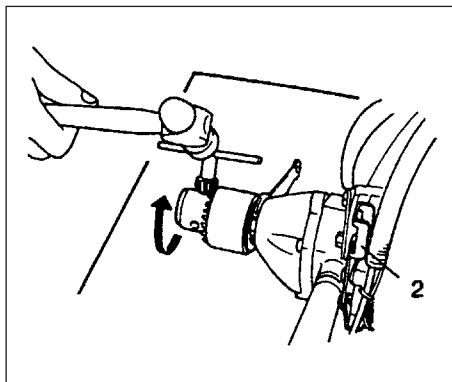


Fig. 2-6B

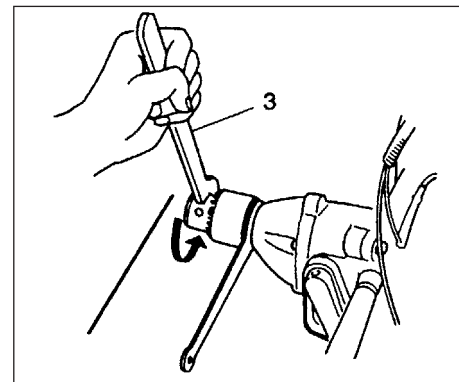


Fig. 2-7

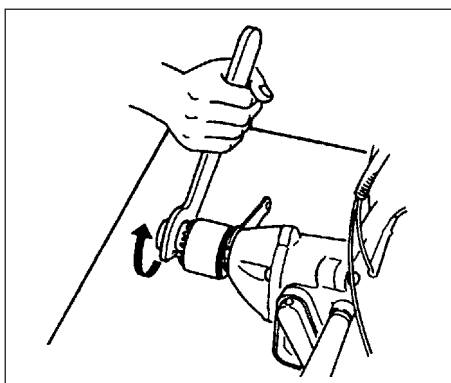


Fig. 2-7B

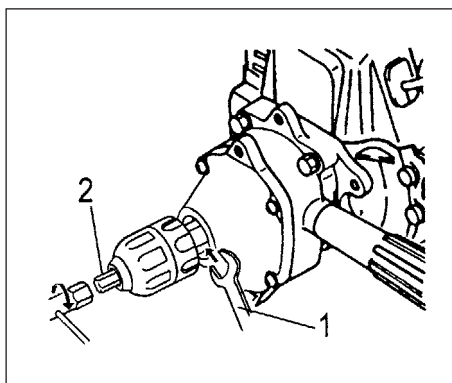


Fig. 2-7C

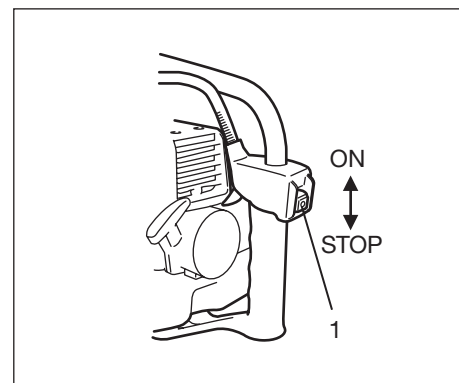
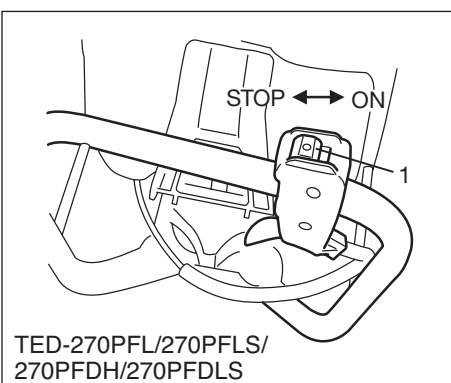


Fig. 2-8



TED-270PFL/270PFLS/
270PFDH/270PFDLS

Fig. 2-8B

- Per serrare il mandrino in maniera più sicura mettere una chiave da 19mm (1) tra la scatola del cambio ed il mandrino per bloccare l'albero di trasmissione.

Girare la leva di bloccaggio (2) poi colpire l'impugnatura del mandrino con un martello per avvitare il mandrino (in senso orario). (TED-270PFL/270PFLS/270PFDH/270PFDLS/270PFHS) (Fig. 2-6)

- Per allentare il mandrino, mettere la chiave sull'altro lato e colpire l'impugnatura del mandrino da questo lato per svitare (senso anti-orario) il mandrino con la leva di bloccaggio sopra.

(TED-270PFL/270PFLS/270PFDH/270PFDLS/270PFHS) (Fig. 2-6B)

- Nota! utilizzare una chiave di montaggio del mandrino (3) al posto dell'impugnatura del mandrino e serrare o allentare manualmente invece di colpire. Non colpire la chiave di montaggio del mandrino. (Fig. 2-7, 7B).

- Per installare o allentare il mandrino senza chiave, mettere una chiave da 19mm (1) tra la scatola del cambio ed il mandrino per bloccare l'albero. Installare la barra di bloccaggio (2) nella borsa degli strumenti nel mandrino, e poi serrare (in senso orario) la barra (2) con la chiave a tubo inclusa o allentare (senso anti-orario). (Fig.2-7C)

Arresto del motore (Fig. 2-8, 8B)

- Riducete la velocità di rotazione del motore, spingete quindi interruttore di spegnimento in posizione di arresto.

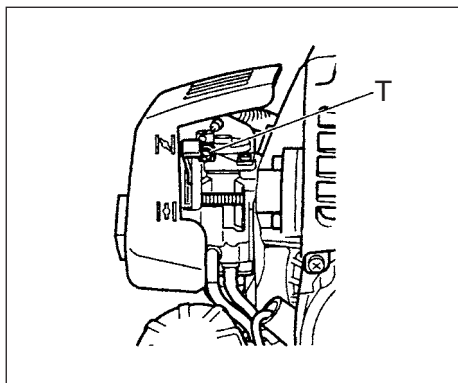


Fig. 3-1

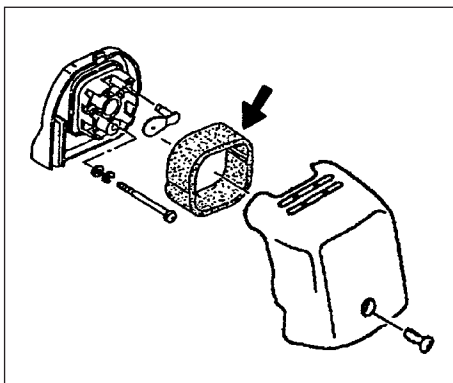


Fig. 3-2

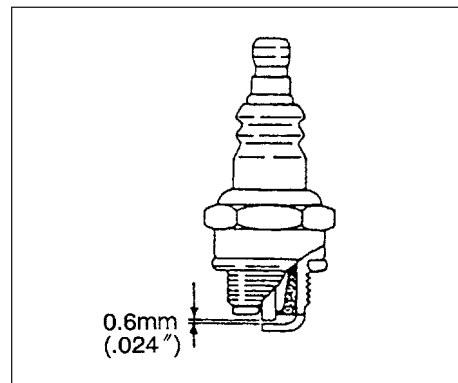


Fig. 3-3

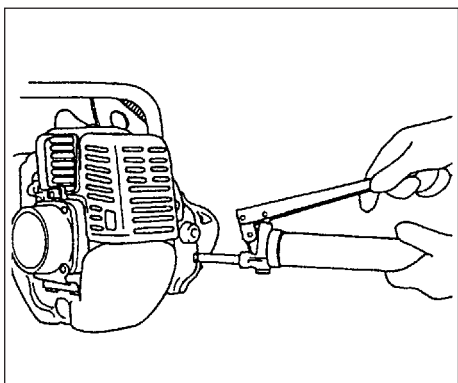


Fig. 3-4

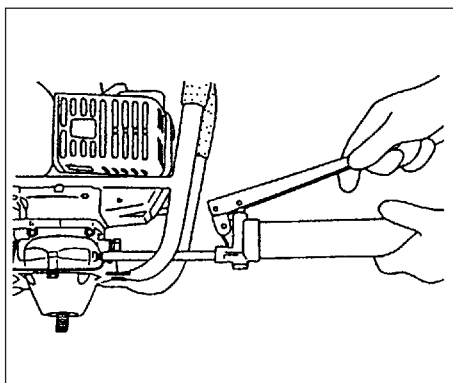


Fig. 3-4B

5. Manutenzione

LA MANUTENZIONE, SOSTITUZIONE O RIPARAZIONE DEI DISPOSITIVI E SISTEMI DI CONTROLLO DELLE EMISSIONI POS-SONO ESSERE ESEGUITE DA QUALSIASI OFFICINA O TECNICO DI RIPARAZIONE MOTORI NON VEICOLARI.

Regolazione del carburatore (Fig. 3-1)

⚠ ATTENZIONE!

Può darsi che il trapano giri vorticosamente durante gli aggiustamenti della carburazione.

⚠ ATTENZIONE!

Prima di mettere in moto, assicurarsi che il coperchio della frizione e la scatola degli ingranaggi siano montati correttamente, per evitare che la frizione si stacchi e causi gravi incidenti.

Nel carburatore, il carburante viene mescolato con l'aria. Quando il motore viene collaudato in fabbrica, il carburatore viene tarato. Può essere necessario ricontrollare la taratura a seconda del clima e dell'altitudine della zona di impiego. La regolazione del minimo del carburatore può essere effettuata con:

T = Vite di regolazione del minimo.

Regolazione del minimo (T)

Controllare che il filtro dell'aria sia pulito. Se il minimo è corretto, la punta non gira. Se è necessario regolare il minimo, chiudere la vite a T (in senso orario) con il motore in moto, fino a quando la punta comincia a girare. Riaprire poi la vite (in senso antiorario) fino a quando la punta si ferma. Il minimo è corretto quando il motore gira regolarmente in ogni posizione, al di sotto del regime di giri necessario alla punta per iniziare a girare.

Se la punta ruota ancora dopo aver regolato il minimo, contattare un rivenditore Tanaka.

⚠ ATTENZIONE!

Con il motore al minimo, la punta non deve assolutamente girare.

Filtro dell'aria (Fig. 3-2)

Il filtro dell'aria deve essere sempre pulito per evitare:

- Disturbi di funzionamento al carburatore.
- Problemi di messa in moto.
- Perdita di potenza del motore.
- Usura inutile del motore.
- Consumi elevati.

Pulire il filtro dell'aria almeno una volta al giorno. Più spesso se necessario.

Pulizia del filtro dell'aria

Togliere il coperchio del filtro. Lavarlo con acqua calda saponata. Prima del montaggio assicurarsi che il filtro sia asciutto. Il filtro non potrà mai essere pulito completamente. Pertanto deve essere sostituito con regolarità. Sostituire immediatamente un filtro danneggiato.

NOTA!

Saturate l'elemento con olio per motore due tempi o equivalente. Spremete l'elemento in modo da distribuire l'olio completamente e rimuovere l'eccesso dell'olio.

Candela (Fig. 3-3)

Lo stato della candela è influenzato da:

- Un carburatore mal registrato.
- Una miscela di carburante ed olio non corretta (troppo ricca di olio).
- Un filtro dell'aria sporco.
- Condizioni di esercizio difficili (climi freddi).

Questi fattori causano il formarsi di depositi sugli elettrodi della candela, con conseguente difficoltà di messa in moto e avarie. Se il motore è poco brillante, difficile da mettere in moto o non tiene il minimo, controllare sempre prima la candela. Se la candela è sporca, pulirla e controllare la distanza tra gli elettrodi.

Rettificare se necessario. La distanza corretta è di 0,6 mm. La candela deve essere sostituita dopo circa 100 ore di funzionamento o prima se gli elettrodi sono molto corrosi.

NOTA!

In alcune zone, le leggi locali richiedono l'impiego di una candela con resistore per sopprimere i segnali di ignizione. Se questa macchina era originariamente dotata di una candela con resistore, usare lo stesso tipo di candela per la sostituzione.

Riduttore (Fig. 3-4, 4B)

Applicare del grasso lubrificante al litio di buona qualità attraverso il dispositivo per la lubrificazione. La lubrificazione deve essere eseguita ad intervalli di 50 ore e più spesso in caso di uso frequente.

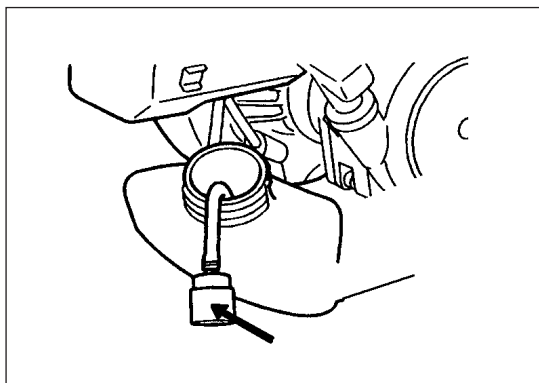


Fig. 3-5

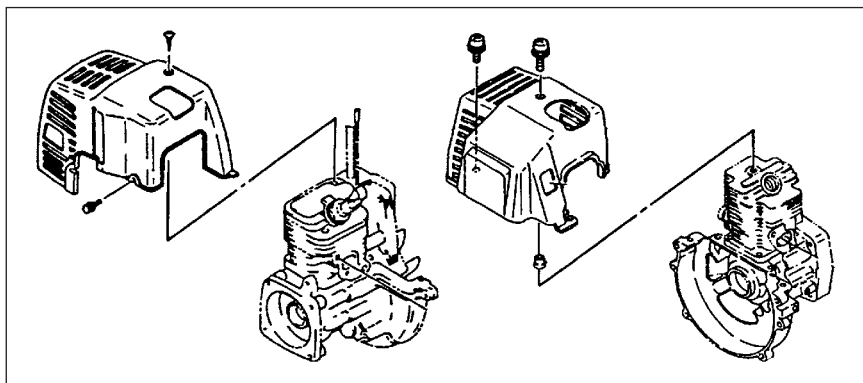


Fig. 3-6

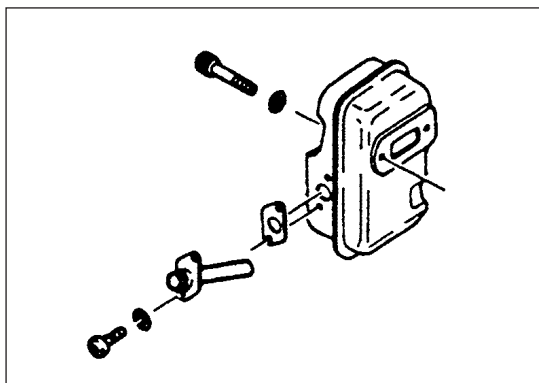


Fig. 3-7

Filtro del carburante (Fig. 3-5)

Rimuovere il filtro del carburante dal serbatoio del carburante e lavarlo accuratamente con solvente. Quindi, reinserire completamente il filtro nel serbatoio.

NOTA!

Se il filtro si presentasse indurito a causa di polvere e sporco, sostituirlo.

Pulizia delle alette del cilindro (Fig. 3-6)

Quando frammenti di legno si infilano fra le alette del cilindro, il motore è soggetto a surriscaldamento e conseguenti cali di potenza. Per evitare ciò, tenere sempre puliti le alette del cilindro e il carter della ventola.

Ogni 100 ore di impiego, oppure una volta all'anno (più frequentemente se le condizioni lo richiedono), pulire le alette e le superfici esterne del motore eliminando polvere, sporco e depositi di olio, che possono contribuire a causare un raffreddamento non appropriato.

Pulizia del silenziatore (Fig. 3-7)

Staccare la marmitta e il parascintille (se presente) ed eliminare tutti i residui carboniosi dalla luce di scarico o dall'apertura di entrata della marmitta ogni 100 ore di impiego.

Deposito prolungato

Svuotare completamente il serbatoio del carburante. Avviare il motore e lasciarlo girare fino a quando non si ferma per mancanza di carburante. Riparare eventuali danni che si fossero verificati durante l'uso. Pulire l'attrezzo con uno straccio pulito, o con un getto di aria compressa. Versare alcune gocce di olio per motore a due tempi nel cilindro attraverso il foro della candela, facendo girare il motore alcune volte per distribuire uniformemente l'olio. Coprire l'attrezzo e riporlo in un luogo asciutto.

Schema di manutenzione

Seguono alcune istruzioni di manutenzione generale. Per ulteriori informazioni, rivolgersi ad una rivenditore Tanaka.

Manutenzione giornaliera

- Pulire la macchina esternamente.
- Controllare che il dispositivo di foratura si centrato ed integro senza incrinature. Se la punta è fuori centro, forti vibrazioni possono danneggiare la macchina.
- Controllare che il dado del dispositivo di foratura sia ben serrato.
- Controllare che dadi e viti siano ben serrati.





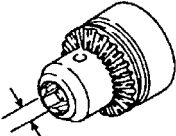

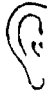

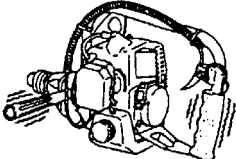
Manutenzione settimanale

- Controllare il dispositivo di avviamento, in particolare la cordicella e la molla di ritorno.
- Controllare la candela esternamente.
- Controllare la distanza dell'elettrodo. Regolare su 0.6 mm o sostituire la candela.
- Pulire le alette del cilindro e controllare che il collettore di aspirazione dell'aria sulla messa in moto sia pulito.
- Controllare che la scatola degli ingranaggi sia ingrassata fino a 3/4.
- Pulire il filtro dell'aria.

Manutenzione mensile





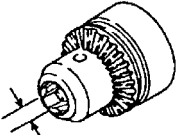
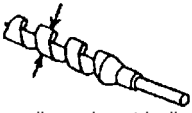
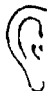

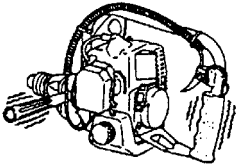
- Lavare con benzina il serbatoio del carburante.
- Pulire il carburatore esternamente e l'area circostante.
- Pulire il volano magnete e l'area circostante.

6. Specifications

MODELLO	TED-270PFL/ TED-270PFLS	TED-270PFR/ TED-270PFRS	TED-270PFHS
			
Cilindrata del motore (ml).....	26.9 (1.64 cu. in.)	←	←
			
Candela di accensione	Champion CJ-8 o equivalent	←	←
			
Capacità del serbatoio..... carburante (l)	0.67 (22.8 fl. oz)	←	←
			
Peso a secco (kg).....	5.1 (11.2 lbs)	5.6 (12.3 lbs)	5.0 (11.0 lbs)
			
Capacità bloccaggio mandrino (mm).....	12.7 (1/2 in)	←	←
Diametro albero motore.....	1/2"-20 UNF	←	←
			
Massima dimensione trivella (mm)..... (Legno)	25.4 (1 in)	←	←
Comando inversione marcia.....			
Comando bloccaggio.....			
			
Livello di pressione acustica	LpA 95.1	95.1	95.1
(dB(A)) (EN 27917)			
			
Livello di potenza acustica.....	LwA 116	116	116
(db(A))			
			
Livello di vibrazione (m/s ²) (ISO 7916)			
Impugnatura anteriore	7.1	7.1	7.1
Impugnatura posteriore	7.2	7.2	7.2

NOTA : Il livello di rumore/livello di vibrazioni equivalenti sono calcolati come la media ponderata sull'arco di tempo, per varie condizioni di funzionamento con la seguente distribuzione dei tempi: 1/2 minimo, 1/2 velocità di lavoro.

*Tutti i dati sono soggetti a modifiche senza preavviso.

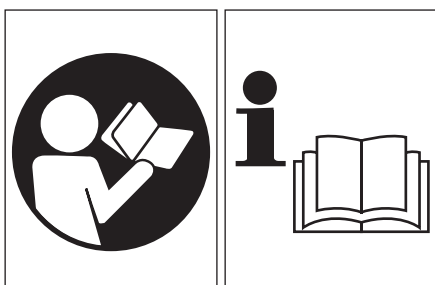
MODELLO	TED-270PFDH	TED-270PFDLS
		
Cilindrata del motore (ml).....	26.9 (1.64 cu. in.)	←
		
Candela di accensione	Champion CJ-8 o equivalent	←
		
Capacità del serbatoio..... carburante (l)	0.67 (22.8 fl. oz)	←
		
Peso a secco (kg).....	6.6	6.6
		
Capacità bloccaggio mandrino (mm).....	12.7(1/2 in)	←
Diametro albero motore.....	1/2"-20 UNF	←
		
Massima dimensione trivella (mm)..... (Legno)	25.4 (1 in)	←
Comando inversione marcia.....		
Comando bloccaggio.....		
		
Livello di pressione acustica	LpA (dB(A)) (EN 27917) 94.0	94.1
		
Livello di potenza acustica.....	LwA (db(A)) 104	104
		
Livello di vibrazione (m/s ²) (ISO 7916)		
Impugnatura anteriore	7.81	Right 6.50
Impugnatura posteriore	5.66	Left 6.76

NOTA : Il livello di rumore/livello di vibrazioni equivalenti sono calcolati come la media ponderata sull'arco di tempo, per varie condizioni di funzionamento con la seguente distribuzione dei tempi: 1/2 minimo, 1/2 velocità di lavoro.

*Tutti i dati sono soggetti a modifiche senza preavviso.

Tanaka[®]

TED-270PFL/PFLS
TED-270PFR/PFRS
TED-270PFHS/PFDH
TED-270PFDLS

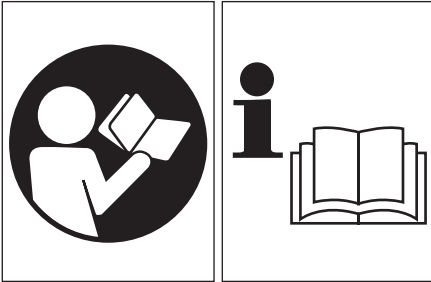
D
E

Lesen Sie vor der Verwendung
diese Anleitung sorgfältig durch.

Bedienungsanleitung

WARNUNG!

Die von diesem Produkt erzeugten Abgase enthalten Stoffe, die vom Bundesstaat Kalifornien als Erreger von Krebs, Geburtsfehlern und anderen Fortpflanzungsschäden angesehen werden.



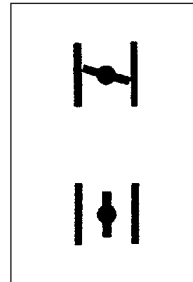
Es ist wichtig, daß Sie sich mit den nachfolgenden Vorsichtsmaßnahmen und Warnungen vertraut machen und diese befolgen. Unvorsichtige oder unsachgemäße Handhabung dieses Gerätes kann zu schweren oder sogar lebensgefährlichen Verletzungen führen.



Die in der Bedienungsanleitung und an der Maschine angegebenen Warnungstexte and Anweisungen sind zu lesen und zu befolgen.



Tragen Sie bei der Anwendung der Maschine stets Helm, Gesichts- und Gehörschutz.



Kennzeichnung der choke-position. Die obere Markierung kennzeichnet geschlossenen Choke und die untere vollständig offenen Choke.



Während des Betriebes vom Motor den Bohreinsatz nicht berühren.

Vor der Verwendung des Geräts

- Die Anleitung sorgfältig durchlesen.
- Montage und Einstellung der Schneidausrüstung kontrollieren.
- Das Gerät starten und die Vergasereinstellung prüfen. Siehe "Wartung".

Konformitätserklärung

Der unterzeichnete, Nikko Tanaka Engineering Co., Ltd., 3-4-29 Tsudanuma, Narashino, Chiba, Japan

Erklärt unter, eigener Verantwortung daß das Produkt, bohrmaschine modell

TED-270PFL/PFLS
TED-270PFR/PFRS
TED-270PFHS/PFDH
TED-270PFDLS

für das diese Erklärung gilt, den wesentlichen Sicherheitsanforderungen der Richtlinien entspricht.

98/37/EC, 89/336/EEC, 2000/14/EC

Die nachfolgenden Standards wurden in Betracht gezogen. ISO 3864 (EN ISO 1200-1/2)

Erstellt in : Chiba, Japan den 01/01/2008

Unterschrift:


Yoshio Osada

Serien-Nr. ab E001001

Titel : Direktor

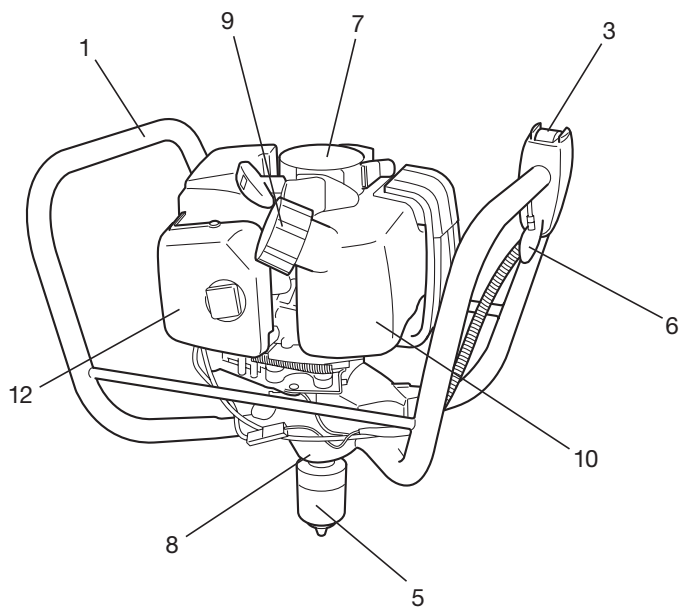
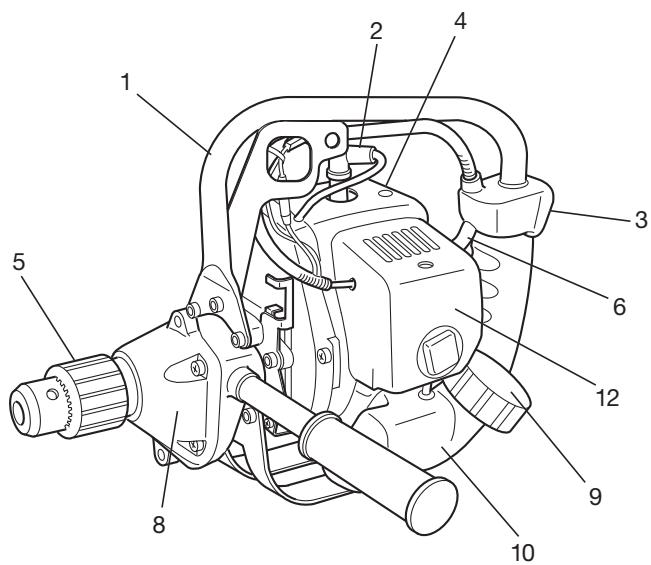
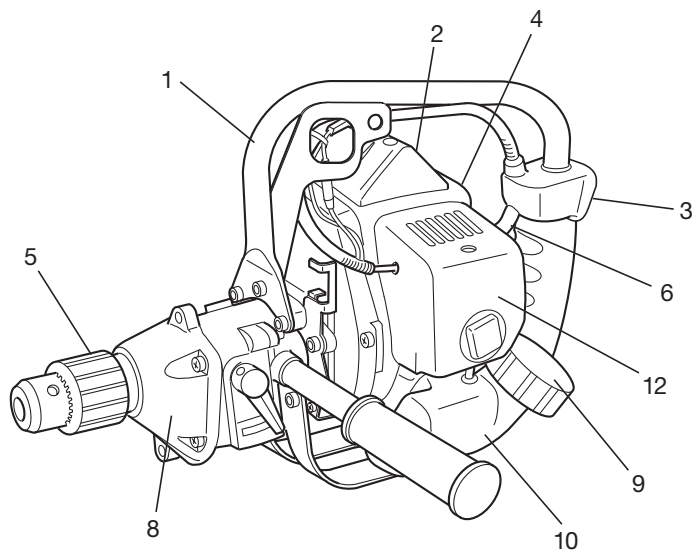
Inhalt

Teilebezeichnungen	4
Warn- und Sicherheitshinweise	5
Montage	6
Betrieb	6
Wartung	10
Technische Daten	12

1. Teilebezeichnungen

Da diese Bedienungsanleitung auf mehrere Modelle hinweist, es ist möglich, daß die Bilder und Ihr Gerät verschieden sind. Die Anleitungen befolgen, die auf Ihr Gerät zutreffen.

1. Handgriff
2. Zündkerzenkappe
3. Zündschalter
4. Schalldämpfer
5. Spannfüter
6. Gashebel
7. Anreissstarter
8. Getriebekasten
9. Benzintank
10. Kraftstofftank
11. Schalthebel
12. Luftfilter
13. Gurtloch



2. Warn- und Sicherheitshinweise

Sicherheit des Bedieners

- Stets Gesichtsschutz bzw. Schutzbrille tragen.
- Stets schwere lange Hosen, Stiefel und Handschuhe tragen. Das Gerät darf nicht in lockerer Kleidung, mit Schmuck, in kurzen Hosen, Sandalen oder barfuß betrieben werden. Das Haar ist so zu sichern, daß es nicht über die Schulter herunterhängt.
- Dieses Gerät darf nicht von Personen bedient werden, die übermüdet oder krank sind oder unter Alkohol- oder Medikamenteneinfluss stehen.
- Man soll niemals erlauben, daß ein Kind oder eine unerfahrene Person die Maschine betätigt.
- Helm, Gesichts- und Gehörschutz tragen.
- Der Motor darf nie innerhalb geschlossener Räume oder Gebäude angelassen bzw. betrieben werden. Die Abgase können zum Tod führen.
- Die Griffe müssen frei von Öl und Kraftstoff bleiben.
- Hände weg von den Bohrvorrichtung.
- Das Gerät nicht an den Bohrvorrichtung ergreifen oder halten.
- Nach dem Ausschalten des Motors unbedingt mit dem Abstellen des Geräts warten, bis das Bohr-Vorsatzgerät vollständig stillsteht.
- Bei Dauerbetrieb gelegentlich eine Pause einlegen als vorbeugende Maßnahme gegen Weißfinger-Krankheit, die durch ständige Vibration verursacht wird.

Geräte-/Maschinensicherheit

- Vor jeder Verwendung ist das gesamte Werkzeug zu kontrollieren. Beschädigte Teile sind auszuwechseln. Das Werkzeug ist auf auslaufenden Kraftstoff zu überprüfen. Es ist darauf zu achten, daß alle Befestigungsteile vorhanden und sicher angezogen sind.
- Gerissene, ausgebrochene oder auf andere Weise beschädigte Teile sind vor Verwendung des Werkzeuges auszuwechseln.
- Während der Vergasereinstellung dürfen sich andere Personen nicht in der Nähe aufhalten.
- Nur das vom Hersteller für dieses Werkzeug empfohlene Zubehör darf verwendet werden.

WARNUNG!

**Keinesfalls das Werkzeug in irgendeiner Weise modifizieren.
Das Bohrgerät nur für die Zwecke verwenden, für die er bestimmt ist.**

Kraftstoffsicherheit

- Kraftstoff im Freien mischen und einfüllen. Funken und Feuer fernhalten.
- Für den Kraftstoff ist ein zugelassener Behälter zu verwenden.
- In der Nähe des Kraftstoffs, des Werkzeuges sowie beim Arbeiten mit dem Werkzeug ist das Rauchen zu unterlassen.
- Vor dem Anlassen des Motors muß verschütteter Kraftstoff restlos entfernt werden.
- Vor dem Anlassen des Motors ist das Werkzeug mindestens 3 m von der Kraftstoffzufüllstelle zu entfernen.
- Vor dem Abnehmen des Tankdeckels muß der Motor ausgeschaltet werden.

- Bevor das Werkzeug gelagert wird, muß der Tank entleert werden. Es empfiehlt sich, den Kraftstoff nach jedem Gebrauch abzulassen. Falls der Tank noch einen Rest Kraftstoff enthält, ist das Werkzeug so lagern daß kein Kraftstoff ausläuft.
- Werkzeug und Kraftstoff sind an Stellen zu lagern, wo Kraftstoffdämpfe nicht mit Funken oder offenen Flammen von Wassererhitzern, Elektromotoren oder elektrischen Schaltern, Öfen usw. in Berührung kommen können.

WARNUNG!

Vibrationsdämpfungssysteme sind kein garantierter Schutz gegen Weißfinger-Krankheit oder Karpaltunnelsyndrom. Daher ist bei regelmäßigem Dauereinsatz des Geräts der Zustand von Fingern und Handwurzel gründlich zu überwachen. Falls Symptome der obengenannten Krankheiten

Bohrsicherheit

- Das Werkzeug nur zum dafür bestimmten material einsetzen.
- Vor jedem Gebrauch die zu bohrende Fläche untersuchen. Gegenstände entfernen, bei denen die Gefahr besteht, daß sie hochgeschleudert werden oder sich im Mähkopf verfangen.
- Beim Bohren von der Fläche, die mit Insektenbekämpfungsmitteln behandelt worden ist, zum Schutz der Atmungsorgane eine Aerosol-schutzmaske tragen.
- Kinder, Tiere, Umstehende, Helfer usw. dürfen sich nicht innerhalb der 5 m Gefahrenzone aufhalten. Motor sofort abstellen, wenn sich jemand nähert.
- Gerät fest mit beiden Händen halten.
- Stets für gute Standsicherheit sorgen. Nicht zu weit vorbeugen.
- Verwenden Sie nur Tanaka-Originalersatzteile, wie vom Hersteller empfohlen.

Wartungssicherheit

- Werkzeug gemäß Empfehlung warten.
- Vor Durchführung von Wartungsarbeiten, außer bei Vergasereinstellungen, Zündkerzenstecker abziehen.
- Bei Vergasereinstellungen andere Personen fernhalten.
- Nur original Tanaka Ersatzteile verwenden.

Transport und Lagerung

- Werkzeug bei ausgeschaltetem Motor transportieren: Schalldämpfer vom Körper fernhalten.
- Motor abkühlen lassen, Kraftstofftank entleeren und Werkzeug absichern, bevor es in einem Fahrzeug gelagert oder transportiert wird.
- Vor der Lagerung des Werkzeuges Kraftstofftank entleeren. Es empfiehlt sich, den Kraftstoff nach jedem Arbeitseinsatz abzulassen. Wenn der Tank noch einen Rest Kraftstoff enthält, ist das Werkzeug so zu lagern, daß kein Kraftstoff ausläuft.
- Werkzeug an einem für Kinder unzugänglichen Ort lagern.
- Das Werkzeug sorgfältig reinigen und in einem trockenen Ort lagern.
- Sicherstellen, daß der Schalter bei Transport oder Lagerung ausgeschaltet ist.

- Beim Transportieren in einem Fahrzeug den Bohrer mit einer Kappe oder einem Lappen abdecken.

Bei Vorkommnissen, die nicht in dieser Anleitung behandelt werden, vorsichtig vorgehen und geeignete Maßnahmen treffen. Wenden Sie sich an den Tanaka-Händler, falls Sie Hilfe benötigen. Besonders wichtige Abschnitte wurden auf drei verschiedene Arten hervorgehoben, diese sind abhängig vom Grad der Wichtigkeit:

WARNUNG!

Information von allergrösster Wichtigkeit, um ernsthafte Personenschäden oder Todesfälle vermeiden zu können.

ACHTUNG!

Information von großer Bedeutung, um Personenschäden oder Schäden an der Maschine und Ausrüstung vermeiden zu können.

HINWEIS!

Information, die eine Maßnahme klarlegt und daher wichtig ist, um Fehler vermeiden zu können.

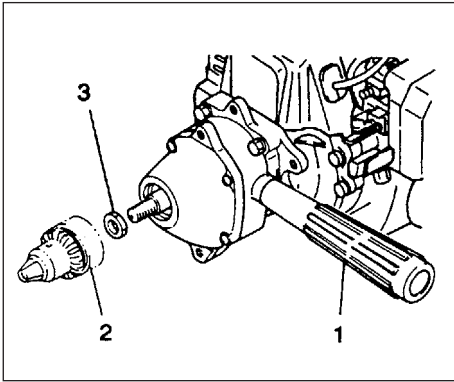


Fig.1-1

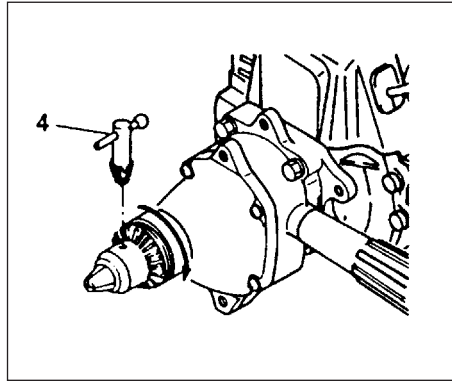


Fig.1-1B

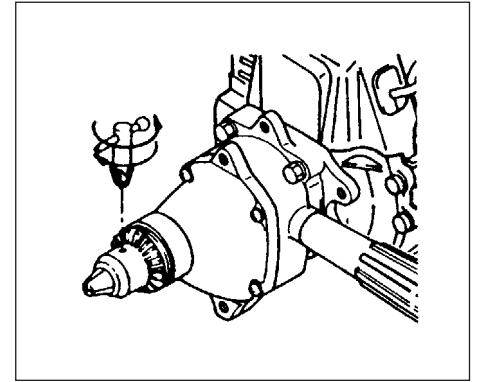


Fig.1-1C

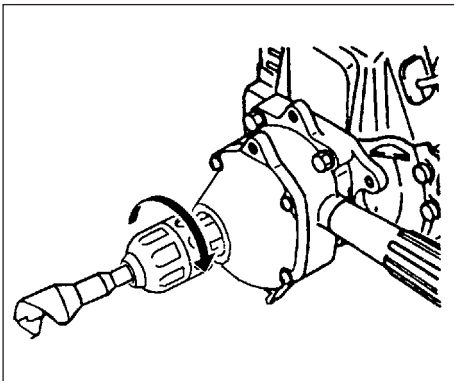


Fig.1-1D

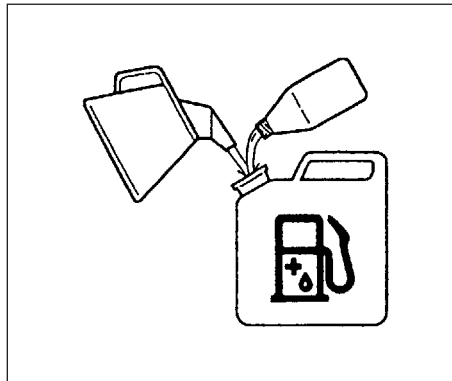


Fig.2-1

3. Zusammenbau

Zusammenbau (Fig. 1-1, 1B, 1C)

1. Den mitgelieferten Handgriff (1) an den Getriebekasten anbringen.
2. Das Spanngerät (2) in die Triebwelle rechtsgängig einschrauben, nachdem das Ringlager B (3) eingesetzt wurde. (wenn es gibt)
3. Das Spannfutter mit dem Spannfutterhebel (4) öffnen, den Bohrer einsetzen und das Spannfutter wieder mit dem Hebel schließen.

HINWEIS!

Bei einem schlüssellosen Spannfutter, das Futter lösen und den Bohrer einsetzen. Dann das Spannfutter nach rechts bis zum Klicken zudrehen. (Fig. 1-1D)

Wahl eines geeigneten Bohrers

Den Bohrer entsprechend des zu bohrenden Materials wählen.

4. Betrieb.

Kraftstoff (Fig. 2-1)

⚠️ WARNUNG!

Der Motorantrieb ist ein Zweitakter und muß daher mit einer Kraftstoff/Öl-Mischung betrieben werden.

Bei der Handierung mit Kraftstoff für gute Entlüftung sorgen.

Benzin

- Stets einen bleifreien Markenkraftstoff mit einer Oktanzahl von 89 oder höher verwenden.
- Verwenden Sie echtes Zweitaktöl oder eine Mischung von 25:1 bis 50:1. Lesen Sie die Angaben auf dem Ölbehälter oder wenden Sie sich an den Tanaka-Händler, um sich über das Mischverhältnis zu informieren.
- 50:1 im Bundesstaat Kalifornien.
- Falls kein echtes Zweitaktöl verfügbar ist, verwenden Sie ein hochqualitatives Motoröl mit Korrosionsschutz-Additiv, das laut Beschriftung speziell für luftgekühlte Zweitaktmotoren geeignet ist (JASO FC- oder ISO EGC-KLASSIFIKATION). Kein (für wassergekühlte Zweitaktmotoren bestimmtes) BIA- oder TCW-Mischöl verwenden.
- Auf keinen Fall Mehrbereichsöl (10 W/30) oder Altöl verwenden.
- Stets Benzin und Öl in einem separaten sauberen Behälter mischen.

Zuerst die Hälfte des Benzins einfüllen. Dann die ganze Ölmenge. Die Kraftstoffmischung verrühren (schütteln). Danach das restliche Benzin hinzufügen. Die Kraftstoffmischung sorgfältig verrühren (schütteln), bevor der Tank gefüllt wird.

Auftanken

⚠️ WARNUNG!

- Beim Auftanken immer den Motor abstellen.
- Zum Einfüllen von Kraftstoff den Kraftstofftankdeckel langsam aufdrehen, um einen eventuellen Überdruck im Tank abzulassen.
- Nach dem Auftanken den Tankdeckel richtig zudrehen.
- Niemals den Motor an der Auftankstelle starten.

Beim Auftanken auf Reinlichkeit achten. Um den Tankdeckel herum sauber abwischen. Verunreinigungen im Tank können zu Betriebsstörungen führen. Vor dem Auftanken den Kraftstoff durch Schütteln des Behälters gut mischen.

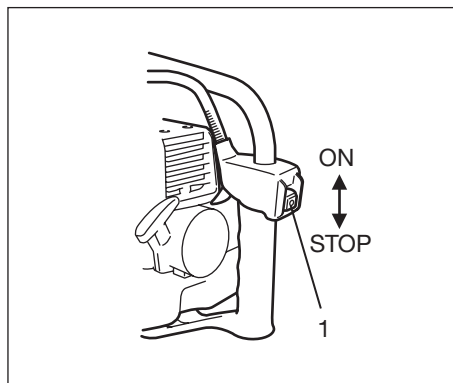


Fig. 2-2

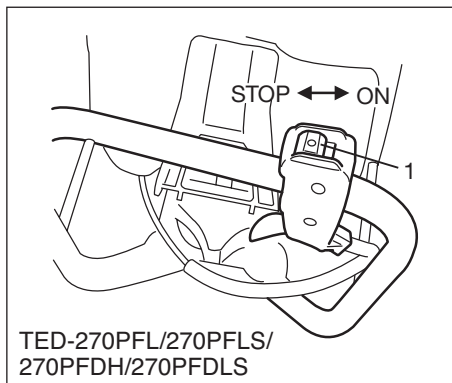


Fig. 2-2B

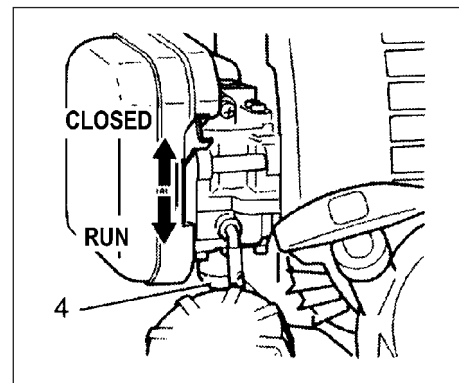


Fig. 2-3

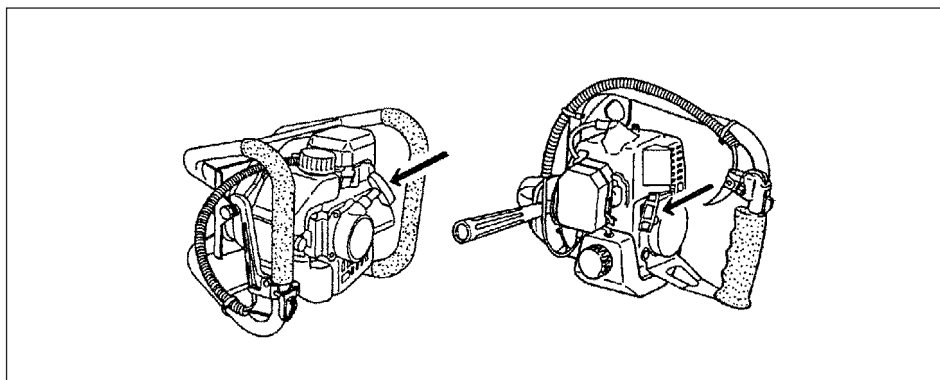


Fig. 2-4

Anlassen

1. Den Zündschalter (1) auf ON stellen.
(Fig. 2-2, 2B)
- *Die Ansaugpumpe (4) mehrmals betätigen, damit Kraftstoff durch die Pumpe oder das Rücklaufrohr fließt (5). (falls vorhanden)
(Fig. 2-3)
2. Den Choke in Stellung "geschlossen" schieben (Fig. 2-3)
3. Nun kräftig am Starterhandgriff ziehen, dabei den Griff fest in der Hand halten, damit er nicht zurückschnellen kann.
(Fig. 2-4)
4. Wenn der Motor hörbar anspringt, den Choke wieder in die normale Betriebsstellung (offen) zurückschieben. Dann noch einmal kräftig am Starterhandgriff ziehen.
(Fig. 2-3)

HINWEIS!

Wenn der Motor nicht anspringt, die Punkte 2 bis 4 oben wiederholen.

5. Danach den Motor ca. 2-3 Minuten Warmlaufen lassen, bevor er belastet wird.

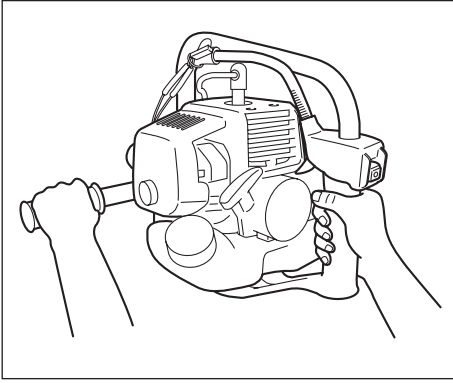


Fig. 2-5

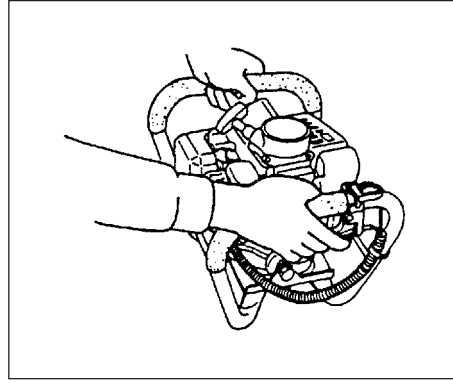


Fig. 2-5B

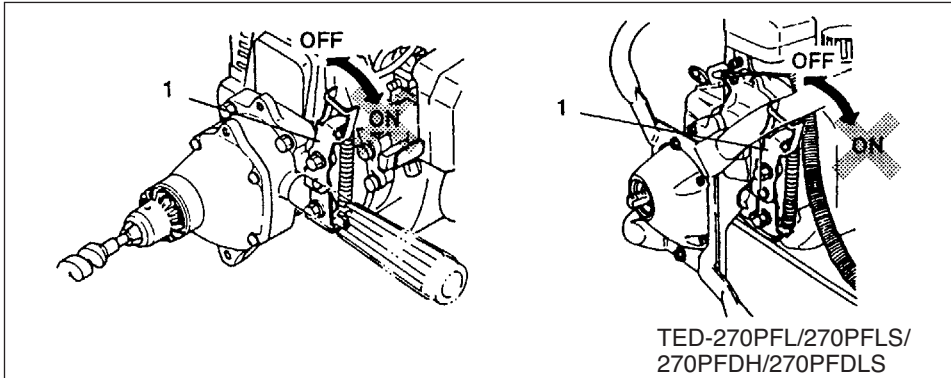


Fig. 2-5C

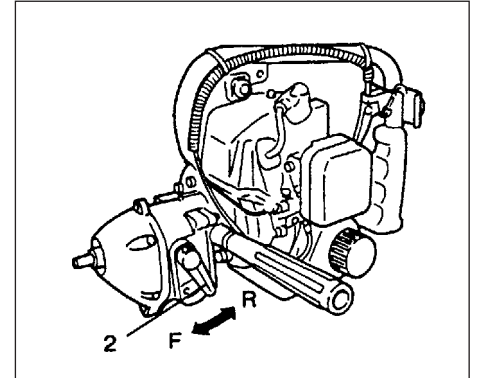


Fig. 2-5D

Bohren (Fig. 2-5, 5B)

- Das Gerät stets mit beiden fest Händen an den Handgriffen fassen und den Körper gut ausbalancieren.
- Das Gerät mit hoher Motorzahl betreiben, und die eigentliche Arbeit dem Bohrwerkzeug überlassen.
Keinesfalls das Werkzeug mit Gewalt in das Bohrloch drücken.
- Falls sich der Bohrer durch abgenommenes Material zugesetzt, den Motor ausschalten und abkühlen lassen.
Anschließend zunächst das Kabel von der Zündkerze abziehen, und erst dann den Bohrer reinigen.
- Den Motor ausschalten, und das Gerät auf unzulässige Vibrationen oder Betriebsgeräusche prüfen.

Betätigen der Feststellvorrichtung (bei TED270PFL/270PFLS/270PFDH/270PFDLS) (Fig. 2-5C)

HINWEIS!

Vor Betätigen der Feststellvorrichtung stets den Motor abstellen.

- Wenn sich der Bohrer in einem Gegenstand festgefressen hat, den Motor abstellen und den Feststellhebel (1) aktivieren.
- Das komplette Werkzeug nach links drehen, um den Bohreinsatz leicht herausziehen zu können.
- Sollte sich das Werkzeug nicht drehen lassen, dieses ein wenig nach rechts drehen und dann zum Lösen nach links.

Betätigen der Rückwärtslaufvorrichtung (bei TED-270PFR/270PFRS) (Fig. 2-5D)

- Die Motordrehzahl bis zum Leerlauf abfallen lassen, den Umstellhebel (1) auf R (Rückwärtslauf) stellen und zum Herausziehen Gas geben.
- Der Umstellhebel könnte sich bewegen, wenn der Motor nicht in Betrieb ist. In diesem Fall, drehen Sie den Bohrkopf ein bisschen mit der Hand.
* Die Feststell- und die Rückwärtslaufvorrichtung sind hauptsächlich zum Herausziehen des Bohreinsatzes gedacht.

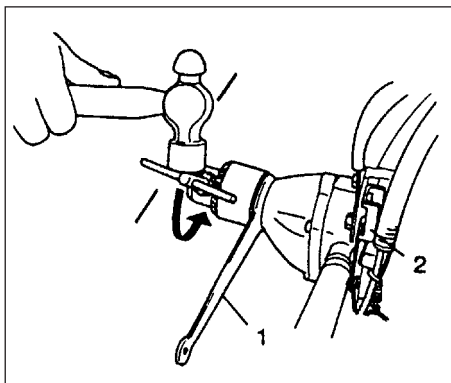


Fig. 2-6

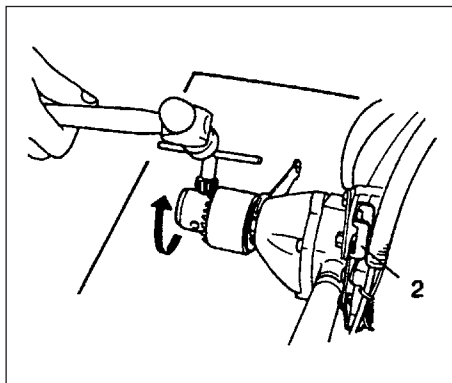


Fig. 2-6B

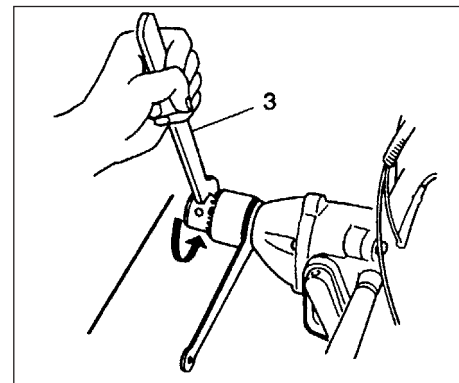


Fig. 2-7

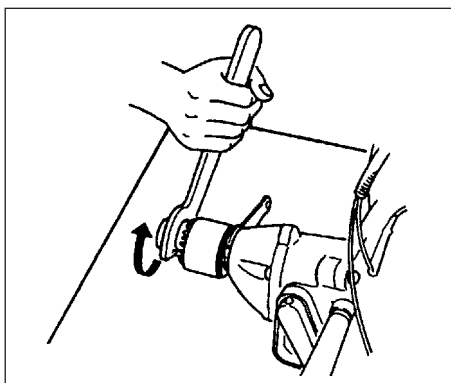


Fig. 2-7B

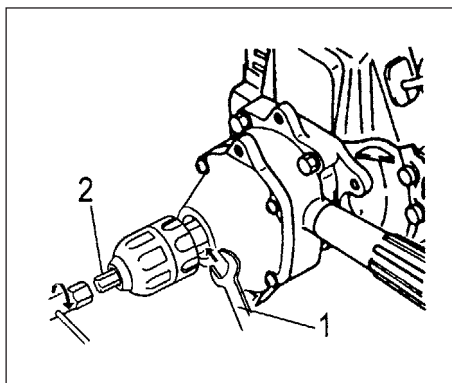


Fig. 2-7C

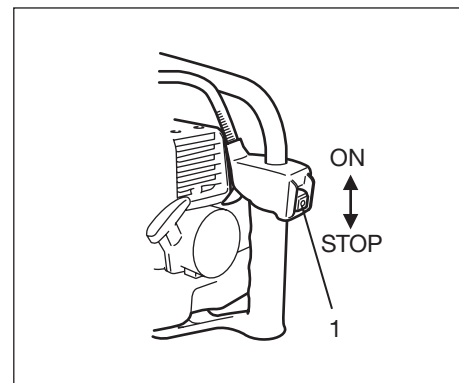


Fig. 2-8

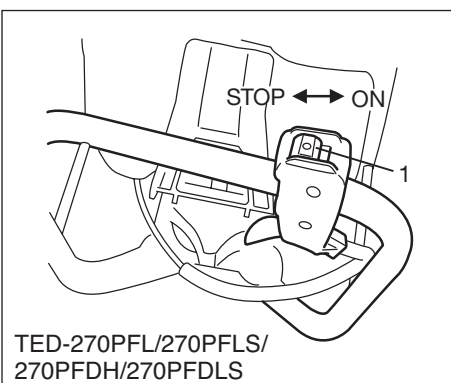


Fig. 2-8B

•Setzen Sie zum festeren Einspannen des Spannfutters einen 19 mm-Schraubenschlüssel zwischen Getriebegehäuse und Bohrfutter an, um die Getriebewelle zu sichern. Betätigen Sie Sperrenhebel (2), und schlagen Sie zum Eindrehen (im Uhrzeigersinn) des Spannfutter danach mit einem Hammer auf den montierten Spannfuttergriff.

(TED-270PFL/270PFSL/270PFDH/270PFDLS/270PFHS) (Fig. 2-6)

•Setzen Sie zum Lösen des Spannfutters den Schraubenschlüssel auf der anderen Seite an, und schlagen Sie von dieser Seite auf den Spannfuttergriff, um das Futter zu lösen. Der Sperrenhebel ist hierbei eingeschaltet.

(TED-270PFL/270PFSL/270PFDH/270PFDLS/270PFHS) (Fig. 2-6B)

•Hinweis! einen Spannfuttermontageschlüssel statt eines Spannfuttergriffs und ziehen Sie das Futter manuell an bzw. lösen Sie es manuell statt darauf zu schlagen. Schlagen Sie nicht auf den Spannfuttermontageschlüsse.

(Fig. 2-7, 7B).

•Setzen Sie zur Montage bzw. zum Lösen des schlüssellosen Spannfutters einen 19 mm-Schraubenschlüssel (1) zwischen Getriebegehäuse und Bohrfutter an, um die Getriebewelle zu sichern. Führen Sie den Sicherungsriegel (2) aus dem Werkzeugbeutel in das Spannfutter ein und ziehen Sie den Riegel (2) (im Uhrzeigersinn) mit dem beiliegenden Steckschlüssel an bzw. lösen Sie ihn (gegen den Uhrzeigersinn). (Fig. 2-7C)

Anhalt (Fig. 2-8, 8B)

Die Motordrehzahl verringern und den zündungsschalter in die Stopstellung schieben.

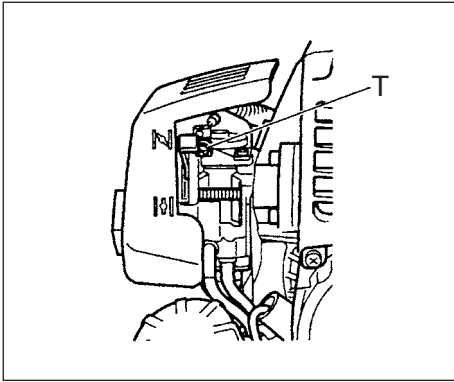


Fig. 3-1

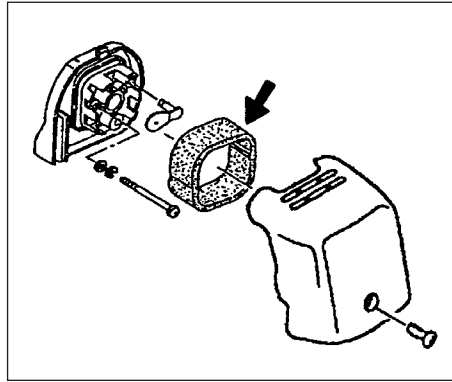


Fig. 3-2

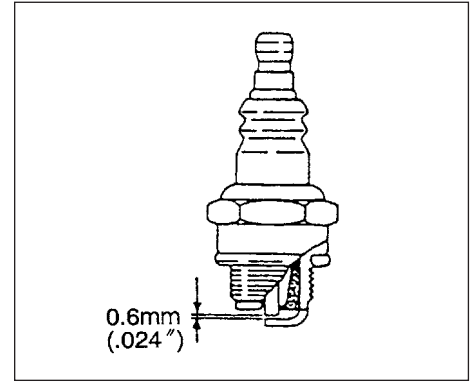


Fig. 3-3

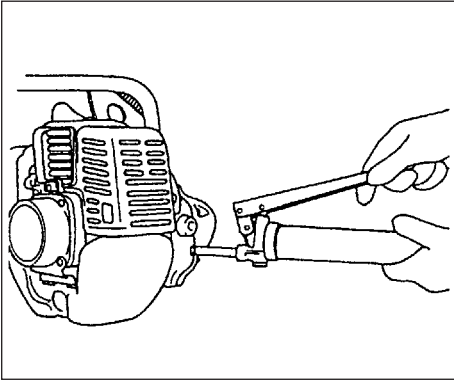


Fig. 3-4

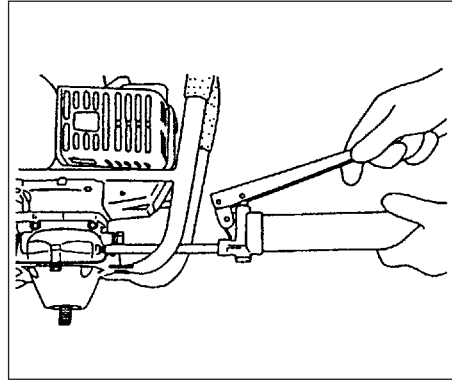


Fig. 3-4B

5. Wartung

WARTUNG, AUSTAUSCH ODER REPARATUR DER ABGASKONTROLLVORRICHTUNGEN UND -SYSTEME KANN DURCH EIN BELIEBIGE NICHT AUF STRASSENFAHRZEUGE SPEZIALISIERTE FACHWERKSTATT ODER PERSON.

Vergaser-Einstellung (Fig. 3-1)

⚠️ WARNUNG!

Es ist möglich, dass der Bohrer während der Vergasereinstellungen schnell drehe.

⚠️ WARNUNG!

Der Freischneider darf erst dann gestartet werden, wenn Kupplungsdeckel und Getriebekasten montiert ist. Unter Umständen kann sich sonst die Kupplung lösen und Menschen können dabei zu Schaden kommen.

Im Vergaser werden Luft und Kraftstoff gemischt. Die Einstellung des Vergasers ist beim Probelauf im Werk schon vorgenommen worden. Je nach Einsatzort kann eine Korrektur dieser Einstellung erforderlich werden. Der Vergaser hat eine Einstellschraube:
T = Leerlauf-Einstellschraube.

Einstellung des Leerlaufs (T)

Luftfilter reinigen. Die Leerlaufdrehzahl so einstellen, bis der Bohreinsatz sich nicht mehr dreht. Falls eine Einstellung notwendig ist, bei laufendem Motor die Leerlaufschraube T (im Uhrzeigersinn) hineindrehen, bis der Bohreinsatz sich zu drehen beginnt. Dann (entgegen dem Uhrzeigersinn) aufdrehen, bis der Bohreinsatz stehenbleibt. Die Leerlaufdrehzahl ist richtig eingestellt, wenn der Motor in jeder Position gleichmäßig läuft, doch mit gutem Marginal zur Drehzahl wo der Bohreinsatz sich zu drehen beginnt.

Wenn sich der Meißel nach der Einstellung der Leerlaufdrehzahl weiterhin dreht, wenden Sie sich an den Tanaka-Händler.

⚠️ WARNUNG!

Wenn der Motor im Leerlauf arbeitet, darf sich der Bohreinsatz auf keinen Fall drehen.

Luftfilter (Fig. 3-2)

Luftfilter regelmäßig von Staub und Schmutz reinigen, zur Vermeidung von:

- Vergaserstörungen.
 - Startschwierigkeiten.
 - Leistungsminderung.
 - Unnötiger Verschleiss der Motorteile.
 - Unnormal hoher Kraftstoffverbrauch.
- Luftfilter täglich reinigen, bei schwierigen Verhältnissen öfter.

Reinigung des Luftfilters

Den Luftfilterdeckel abnehmen und den Filter heraus nehmen. Den Filter in warmer Seifenlauge auswaschen. Bevor er wieder montiert wird, muss der Filter ganz trocken sein. Ein Luftfilter, der eine lange Zeit verwendet wurde, wird nie vollkommen sauber. Der Luftfilter ist daher in regelmäßigen Abständen auszuwechseln. Ein beschädigter Luftfilter ist immer auszuwechseln.

HINWEIS!

Das Element in Zweitaktgemisch o.ä. einweichen. Danach das Element ausquetschen, um das Gemisch vollständig zu verteilen und eventuelles überschüssiges Gemisch zu beseitigen.

Zündkerze (Fig. 3-3)

Der Zustand der Zündkerze wird durch folgende Faktoren verschlechtert:

- Falsch eingestellter Vergaser.
- Falsches Kraftstoffgemisch (zu viel Öl). Minderwertiges Zweitaktöl
- Verschmutzter Luftfilter.
- Schwierige Betriebsverhältnisse. (z.B. bei kalter Witterung)

Diese Faktoren verursachen Beläge an den Elektroden der Zündkerze und können somit zu Betriebsstörungen und Startschwierigkeiten führen. Bei geringer Leistung der Heckenschere, wenn der Motor schwer zu starten ist oder wenn er im Leerlauf ungleichmäßig läuft, immer zuerst die Zündkerze prüfen, bevor andere Maßnahmen eingeleitet werden. Ist die Zündkerze verschmutzt, so ist sie zu reinigen. Gleichzeitig ist zu prüfen, ob der Elektrodenabstand 0,6 mm beträgt. Die Zündkerze ist nach ungefähr 100 Betriebsstunden bzw. bei starker Verrußung der Elektroden auszutauschen.

HINWEIS!

In manchen Gebieten ist zur Unterdrückung von Zündsignalen die Verwendung einer Zündkerze mit eingebautem Widerstand vorgeschrieben. Sollte die Maschine anfänglich mit einer solchen Zündkerze ausgestattet gewesen sein, müssen auch später stets gleichwertige Ersatzkerzen verwendet werden.

Getriebegehäuse (Fig. 3-4, 4B)

Ein lithiumbasiertes Qualitätsfett in die Schmieröffnung einfüllen. Das Getriebegehäuse alle 50 Betriebsstunden schmieren, bei starker Beanspruchung häufiger.

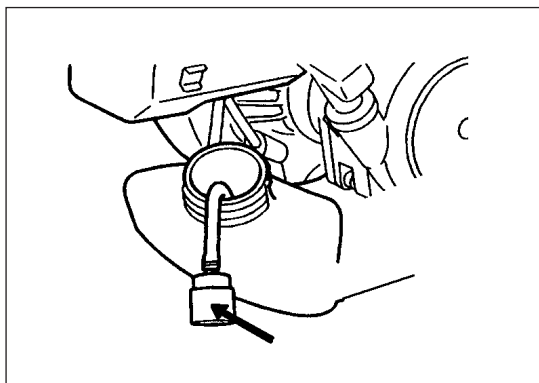


Fig. 3-5

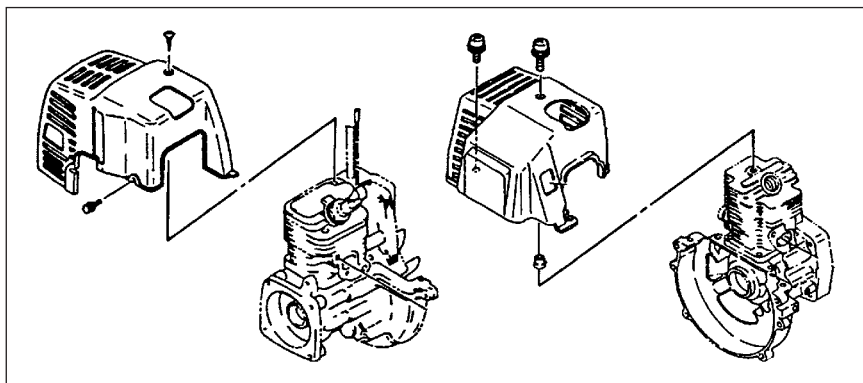


Fig. 3-6

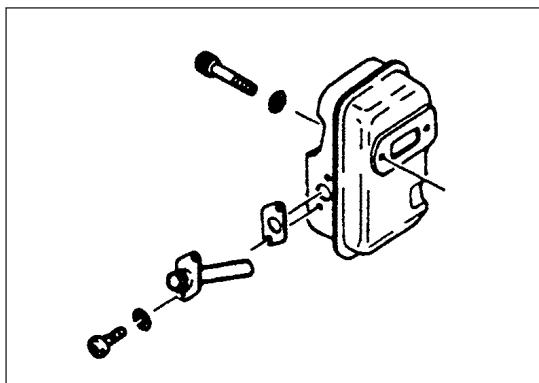


Fig. 3-7

Kraftstofffilter (Fig. 3-5)

Den Kraftstofffilter aus dem Kraftstofftank entfernen und gut mit Lösungsmittel auswaschen. Den Filter danach wieder in den Tank schieben.

HINWEIS!

Den Filter bei extremer Verschmutzung und Brüchigkeit durch einen neuen ersetzen.

Reinigen der Zylinderrippen (Fig. 3-6)

Wenn sich Holzspäne u. dgl. zwischen den Rippen des Zylinders festsetzen, leidet die Kühlwirkung, was Leistungseinbußen zur Folge hat. Die Rippen und das Lüftergehäuse sollten daher stets sauber gehalten.

Alle 100 Betriebsstunden oder einmal jährlich (bei extremen Einsatzbedingungen in entsprechend kürzeren Intervallen) die Rippen und Außenflächen des Motors von Staub, Schmutz und Ölablagerungen befreien, welche die Kühlwirkung beeinträchtigen.

Reinigen des Schalldämpfers (Fig. 3-7)

Den Schalldämpfer alle und Funkenfänger (falls vorhanden) 100 Betriebsstunden abnehmen und Rußablagerungen im Auslaßstutzen oder Schalldämpfereinlaß entfernen.

Längerfristige Lagerung

Den Kraftstoff vollständig aus dem Tank ablassen. Den Motor starten und laufen lassen, bis er von selbst stoppt. Eventuelle beim Gebrauch entstandene Schäden instand setzen. Das Werkzeug mit einem sauberen Lappen oder Druckluft gründlich reinigen. Einige Tropfen Zweitaktmotoröl durch die Zündkerzenbohrung in den Zylinder geben und den Motor einige Male drehen lassen, damit sich das Öl gut verteilt. Das Gerät abdecken und an einem trockenen Ort lagern.

Wartungsschema

Nachstehend folgen einige allgemeine Wartungsanweisungen. Für weitere Informationen wenden Sie sich bitte an den Tanaka-Händler.

Tägliche Wartung

- Die Heckenschere äußerlich reinigen.
- Den Bohrvorsatz muß gut zentriert, scharf und frei von Rissen sein, Ein schlecht zentrierter Bohrer verursacht Vibrationen, die das Gerät beschädigen können.
- Den Festsitz der Bohrvorsatzmutter kontrollieren.
- Kontrollieren, ob Muttern und Schrauben angezogen sind.





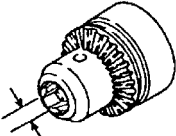
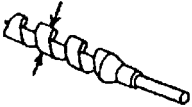
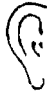

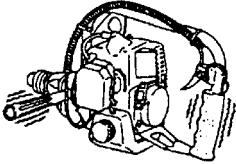
Wöchentliche Wartung

- Die Startvorrichtung, das Seil und die Rückholfeder überprüfen.
- Die Zündkerze äußerlich reinigen.
- Die Zündkerze herausschrauben und den Elektrodenabstand kontrollieren. Den Abstand auf 0.6 mm einstellen oder eine neue Zündkerze einschrauben.
- Die Kühlrippen des Zylinders reinigen und den Lufteintritt an der Startvorrichtung auf Verstopfung kontrollieren.
- Kontrollieren, ob das Winkelgetriebe 3/4 mit Schmiermittel gefüllt ist.
- Luftfilter reinigen.





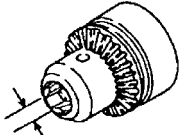
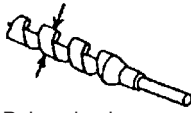
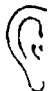

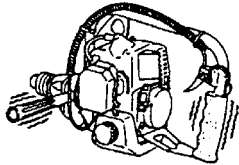
Monatliche Wartung

- Den Kraftstoffbehälter mit Benzin reinigen.
- Den Vergaser und seine Umgebung äußerlich reinigen.
- Den Lüfter und seine Umgebung reinigen.

6. Technische Daten

MODELL	TED-270PFL/ TED-270PFLS	TED-270PFR/ TED-270PFRS	TED-270PFHS
			
Motorgröße (ml).....	26.9 (1.64 cu. in.)	←	←
			
Zündkerze	Champion CJ-8 oder entsprechend	←	←
			
Kapazität des Kraftstofftanks (l)	0.67 (22.8 fl. oz)	←	←
			
Trockengewicht (kg).....	5.1 (11.2 lbs)	5.6 (12.3 lbs)	5.0 (11.0 lbs)
			
Spannbereich (mm)	12.7 (1/2 in)	←	←
Durchmesser der Bohrer Aufnahme	1/2"-20 UNF	←	←
			
Max. Bohrer diameter (mm)..... (Holz)	25.4 (1 in)	←	←
Rücksteuerung.....			
Schließsteuerung.....			
			
Geräuschpegel (dB(A)) (EN 27917)	LpA 95.1	95.1	95.1
			
Geräuschpegel (db(A))	LwA 116	116	116
			
Vibrationspegel (m/s ²) (ISO 7916)			
Vorderer Griff	7.1	7.1	7.1
Hinterer Griff	7.2	7.2	7.2

HINWEIS : Der äquivalente Geräuschpegel/Schwingungspegel errechnet sich aus der zeitgewichteten Gesamtenergie für Geräusch/
Schwingungspegel unter unterschiedlichen Arbeitsbedingungen bei der folgenden Zeitverteilung: 1/2 Leerlauf, 1/2 Volldrehzahl.
*Alle Angaben mögen fristlos abgeändert werden.

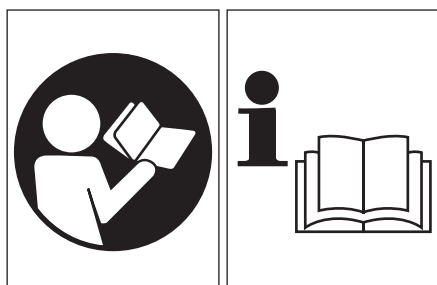
MODELL	TED-270PFDH	TED-270PFDLS
		
Motorgröße (ml)	26.9 (1.64 cu. in.)	←
		
Zündkerze	Champion CJ-8 oder entsprechend	←
		
Kapazität des Kraftstofftanks (l)	0.67 (22.8 fl. oz)	←
		
Trockengewicht (kg)	6.6	6.6
		
Spannbereich (mm)	12.7(1/2 in)	←
Durchmesser der Bohrer Aufnahme	1/2"-20 UNF	←
		
Max. Bohrerdurchmesser (mm)..... (Holz)	25.4 (1 in)	←
Rücksteuerung.....		
Schließsteuerung.....		
		
Geräuschpegel (dB(A)) (EN 27917)	LpA 94.0	94.1
		
Geräuschpegel (db(A))	LwA 104	104
		
Vibrationspegel (m/s ²) (ISO 7916)		
Vorderer Griff	7.81	Right 6.50
Hinterer Griff	5.66	Left 6.76

HINWEIS : Der äquivalente Geräuschpegel/Schwingungspegel errechnet sich aus der zeitgewichteten Gesamtenergie für Geräusch/
Schwingungspegel unter unterschiedlichen Arbeitsbedingungen bei der folgenden Zeitverteilung: 1/2 Leerlauf, 1/2 Volldrehzahl.
*Alle Angaben mögen fristlos abgeändert werden.

Tanaka®

TED-270PFL/PFLS
TED-270PFR/PFRS
TED-270PFHS/PFDH
TED-270PFDLS

ES



Antes de utilizar esta máquina,
lea cuidadosamente el manual.

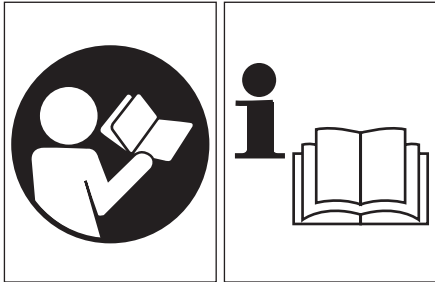
Manual del propietario

⚠️ ATENCIÓN!

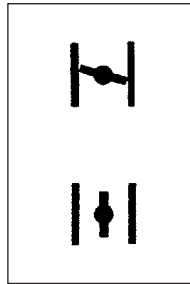
El gas de escape de este producto contiene productos químicos conocidos por el Estado de California que causan cáncer, nacimiento con defectos y otros daños de reproducción.



Utilizar siempre las protecciones para los ojos, cabeza y oídos cuando trabaje con la máquina.



Es importante que usted lea, entienda totalmente y observe las siguientes precauciones y advertencias de seguridad. El uso descuidado o incorrecto de la unidad podrá causarle lesiones serias o fatales.



Explica la posición del cebador. La señal superior indica el cebador cerrado y la inferior indica totalmente abierto.



Lea, comprenda y siga todas las advertencias y demás instrucciones de este manual y las que hay en la máquina.



No toquen la cuchilla mientras el motor en marcha.

⚠️ ADVERTENCIA:

Algunos polvos creados por el lijado mecánico, el aserrado, el esmerilado, el taladrado y otras actividades de construcción contienen sustancias químicas conocidas por el Estado de California como agentes cancerígenos, defectos congénitos y otros daños reproductores. Algunos ejemplos de estas sustancias químicas son:

- El plomo de las pinturas a base de plomo,
- El sílice cristalino de los ladrillos y cemento y otros productos de mampostería, y
- El arsénico y el cromo de la madera tratada químicamente.

El riesgo resultante de la exposición varía según la frecuencia con que se realiza este tipo de trabajo. Para reducir la exposición a estas sustancias químicas: trabaje en un lugar bien ventilado y realice el trabajo utilizando el equipamiento apropiado, tal como las máscaras para el polvo especialmente diseñados para eliminar las partículas minúsculas.

Antes de utilizar su máquina

- Lea cuidadosamente el manual.
- Verificar que el equipo de corte esté correctamente montado y ajustado.
- Arrancar la unidad y comprobar el ajuste del carburador. Ver la sección de "Mantenimiento".

Declaración de conformidad

Nosotros, Nikko Tanaka Engineering Co., Ltd., 3-4-29 Tsudanuma, Narashino, Chiba, Japan

Declaramos dajo nuestra única responsabilidad que el producto, motorbormaskin modelo

TED-270PFL/PFLS
TED-270PFR/PFRS
TED-270PFHS/PFDH
TED-270PFDLS

que corresponde a esta declaración, satisface la (s) siguiente (s) exigencia (s) de seguridad esencial (es) de las directivas.

98/37/EC, 89/336/EEC, 2000/14/EC

Se han tenido en consideración las siguientes normas. ISO 3864 (EN ISO 1200-1/2)

Fabricado en : Chiba, Japan el 01/01/2008

Fimado:



Yoshio Osada

No. de Serie de E001001

Cargo : Director titular

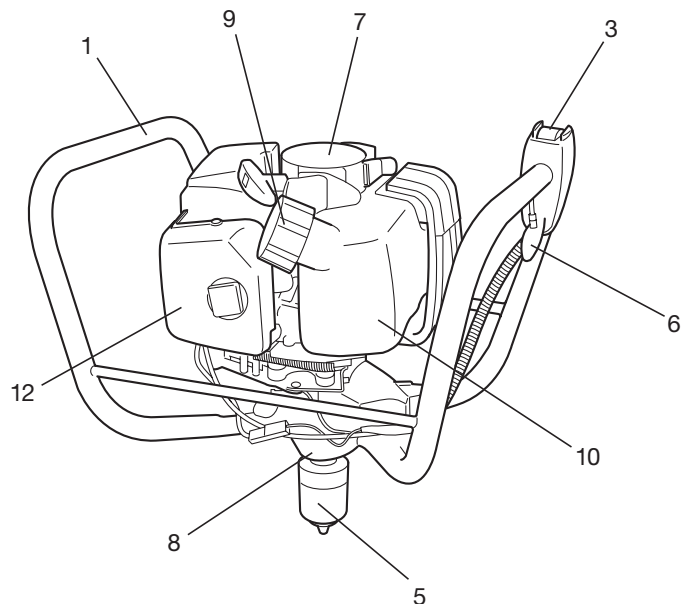
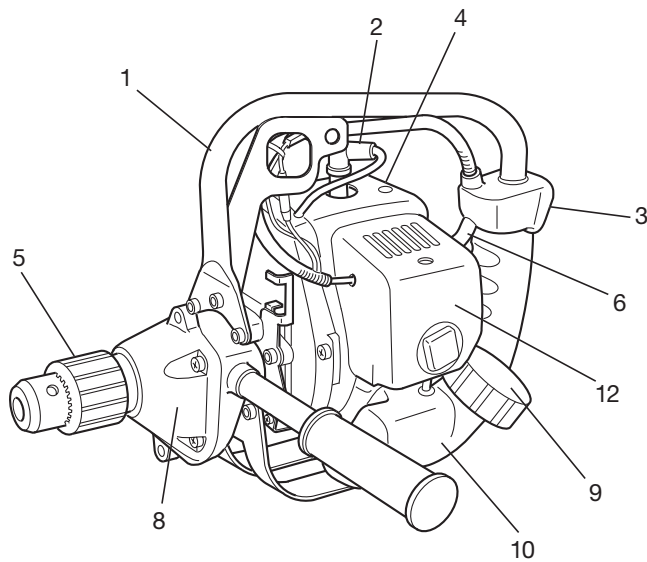
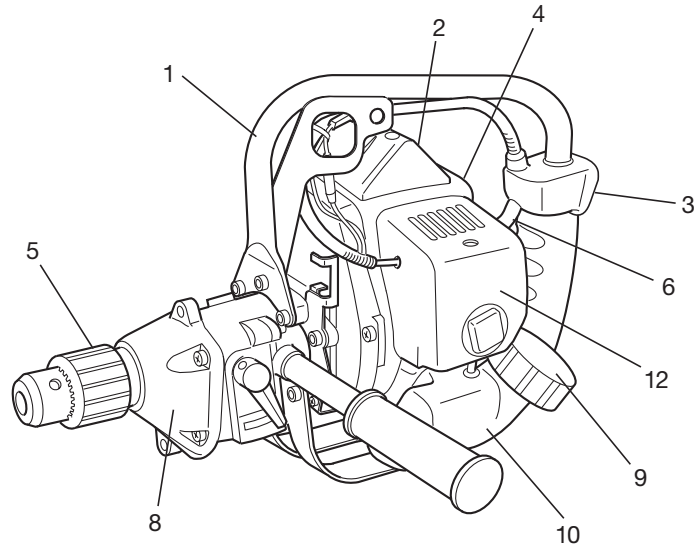
Indice

¿Qué es qué? —————	4
Advertencias e instrucciones de seguridad —————	5
Procedimiento de montaje —————	6
Modo de uso —————	6
Mantenimiento —————	10
Especificaciones —————	12

1. ¿Qué es qué?

Ya que este manual se refiere a varios modelos es posible que haya diferencias entre las imágenes y su aparato. Emplee las instrucciones que se apliquen a su unidad.

1. Agarradera
2. Casquillo de la bujia de encendido
3. Llave de ignición
4. Amortiguador de ruido
5. Conjunto de portabroca
6. Acelerador
7. Arrancador de retroceso
8. Caja de engranajes
9. Tapón del de combustible
10. Depósito de combustible
11. Reverseringsspak
12. Filtro de aire
13. Huece de correa



2. Advertencias e instrucción de seguridad

Seguridad del usuario

- Lleven siempre las protecciones tales como, la pantalla o gafas de seguridad.
- Use siempre pantalones largos gruesos, botas y guantes. No utilice prendas sueltas, adornos, pantalón corto, sandalias ni ande descalzo. Sujete el cabello para que quede por encima de los hombros.
- No operen esta máquina cuando estén cansados, enfermos o bajo la influencia del alcohol, drogas o medicamentos.
- No dejen a los niños o personas inexpertas para que operen esta máquina.
- Lleven las protecciones de oídos.
- Nunca pongan en marcha esta máquina dentro de un local cerrado o edificio. La respiración de los gases de escape puede causar la muerte.
- Mantengan la manilla libre de aceite y combustible.
- Mantengan las manos alejadas de la cuchilla de corte.
- No agarre esta unidad por el equipo de corte.
- Cuando para la unidad, aseguren que el aditamento de corte se haya detenido antes de apoyarla sobre el suelo.
- Durante la operación prolongada, se recomienda interrumpir de vez en cuando para evitar la posible enfermedad de dedos blancos causada por las vibraciones.

Seguridad de la unidad de máquina

- Inspeccione siempre la unidad de máquina antes de usarla. Sustituya las piezas dañadas. Compruebe que no haya fugas de combustible y asegúrese de que todas las piezas estén bien apretadas en su sitio.
- Sustituya las piezas agrietadas, rotas o deterioradas antes de poner en marcha la unidad de máquina.
- Al ajustar el carburador no permita que se acerquen otras personas.
- Utilice únicamente los accesorios para esta unidad de máquina que hayan sido recomendados por el fabricante.

ATENCIÓN!

No deben de ninguna manera modificar los aditamentos. No utilicen sus aditamentos de corte para cualquier tarea ajena para la que se haya destinado.

Seguridad para con el combustible

- Mezcle y cargue el combustible al aire libre, en lugares donde no se produzcan chispas ni fuegos.
- Utilice para el combustible un recipiente adecuado.
- No fume ni deje fumar a otras personas en las cercanías del combustible o de la unidad de máquina mientras esta está en marcha.
- Limpie los residuos de combustible antes de poner en marcha el motor.
- Antes de poner en marcha el motor, apártese como mínimo 3 metros del lugar en el que se ha repostado.
- Pare el motor antes de quitar el tapón del depósito de combustible.

- Antes de guardar la unidad de máquina, vacíe el depósito de combustible. Es conveniente vaciar el depósito cada vez que se ha usado la máquina. Si se deja combustible en el depósito, asegurarse de que no puedan producirse fugas.
- Almacene la unidad de máquina y el combustible en un lugar donde los vapores del combustible no puedan llegar a chispas o llamas de calentadores de agua, motores eléctricos, interruptores, hornos, etc.

ATENCIÓN!

Los sistemas antivibratorios no garantizan de que no sufra la enfermedad de dedos blancos o síndrome de túnel carpal. Por lo tanto, los usuarios continuos o regulares deberán controlar frecuentemente las condiciones de sus manos y dedos. Si aparecen alguno de los síntomas citados, deberá solicitarse inmediatamente la indicación médica.

Seguridad en la escarda

- No corten aquellos materiales ajenos que no están previstos para esta máquina.
- Cada vez que escardan inspeccionen previamente el área de trabajo. Eliminen los materiales que pueden salir despedidos o enredarse en el cabezal de corte.
- Para proteger las vías respiratorias durante la escarda de vegetaciones a las que hayan aplicado las insecticidas, deberán utilizar las máscaras de protección contra aerosoles.
- Mantenga a otras personas, niños, animales, ayudantes y mirones fuera de la zona de peligro de 5 metros. Pare el motor inmediatamente si se acerca alguien.
- Sujete firmemente la máquina con ambas manos.
- Mantenga estable el cuerpo, con los pies bien apoyados sobre el suelo. No estire demasiado el cuerpo.
- Mantengan sus cuarpas alejados del silenciador de escape y el aditamento de corte mientras el motor esté en marcha.

Seguridad en el mantenimiento

- Mantenga la unidad de máquina según las recomendaciones.
- Antes de iniciar el mantenimiento desconecte la bujía, excepto si hay que ajustar el carburador.
- No permita que se acerquen otras personas mientras está ajustando el carburador.
- Use solamente piezas de repuesto genuinas Tanaka de acuerdo con lo recomendado por el fabricante.

Transporte y almacenamiento

- Transporte la unidad de máquina con el motor y el silenciador apartado de cuerpo.
- Antes de almacenar o transportar la unidad de máquina en un vehículo espere a que se haya enfriado el motor, vacíe el depósito de combustible y asegúrela bien.
- Vacíe el depósito antes de almacenar la unidad de la máquina. Es recomendable vaciar el depósito cada vez que se ha usado la máquina. Si se deja combustible en el depósito, asegúrese de que no puedan producirse fugas.
- Almacene la unidad de máquina fuera de alcance de niños.
- Limpie y mantenga cuidadosamente la unidad, y guárdela en un lugar seco.
- Asegúrese de que está desconectado el conmutador de motor al transportarlo o almacenarlo.
- Cúbranse la cuchilla con la cubierta de cuchilla o con la manta durante el transporte en un vehículo.

Si ocurren situaciones que no se han previsto en este manual, utilice el sentido común, teniendo buen juicio. Comuníquese con un distribuidor Tanaka si usted necesita ayuda. Dedique especial atención a los apartados precedidos por las palabras siguientes:

ATENCIÓN!

Indica gran peligro de daños personales graves e incluso la muerte, si no se siguen las instrucciones.

IMPORTANTE!

Indica posibilidad de daños personales o materiales, si no se siguen las instrucciones.

NOTA!

Indica información útil para un correcto uso y funcionamiento de la máquina.

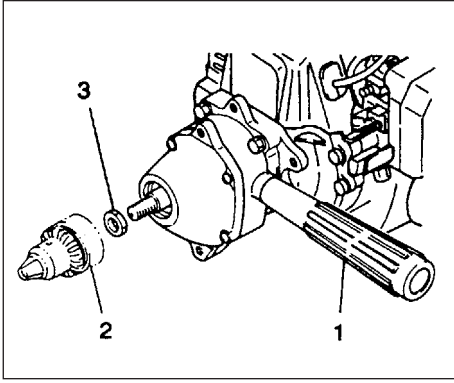


Fig.1-1

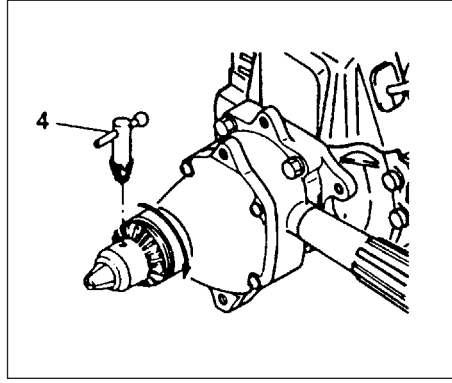


Fig.1-1B

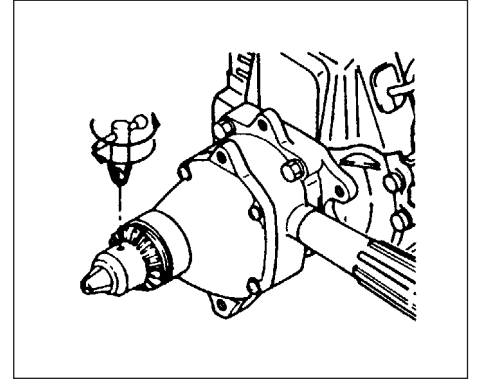


Fig.1-1C

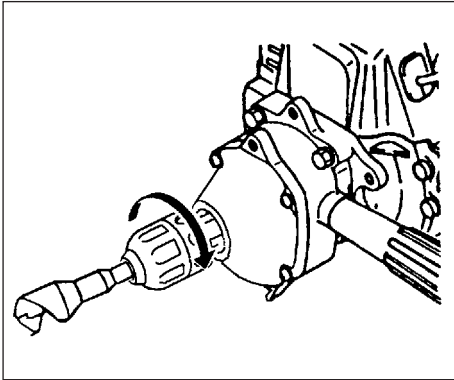


Fig.1-1D

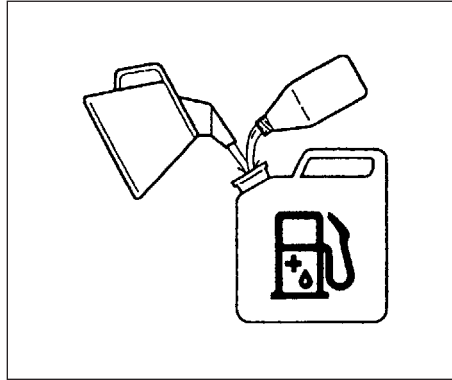


Fig.2-1

3. Procedimiento de montaje

Ensamblaje (Fig. 1-1, 1B, 1C)

1. Móntese la agarradera (1), que se suministra con el aparato, en la caja de engranajes.
2. Atorníllese el conjunto de portabroca (2) en el eje motor (según la marca del reloj) después de instalar el collar B (3). (si lo hay)
3. Insértese la broca de barrena para emplear después de abrir el portabroca mediante la palanquita del portabroca (4) y apriétese el portabroca mediante la palanquita.

NOTA!

Si existe portabroca sin llave, afloje el portabroca e inserte la broca de barrena. Después apriete el portabroca girándolo hacia la derecha hasta que haga un ruido de "clic". (Fig. 1-1D)

Selección de una barrena apropiada

Escójase una broca de barrena según el material para taladrarse.

4. Modo de uso.

Combustible (Fig. 2-1)

⚠ ATENCIÓN!

El taladro mecánico está equipado con motor de dos tiempos. Usar siempre el combustible mezclado con aceite. Asegurar que en el lugar de la manipulación del combustible haya buena ventilación.

Gasolina

- Utilice siempre gasolina sin plomo de marca 89 de octano.
- Use aceite de dos tiempos genuino o use una mezcla de 25:1 a 50:1, sírvase ver la relación en la botella o consulte con un distribuidor Tanaka.
- Únicamente para el Estado de California a 50:1.
- Si no dispone de aceite genuino, use un aceite con antioxidante de calidad que esté etiquetado expresamente para motores de dos tiempos enfriados por aire (ACEITE GRADO JASO FC o GRADO ISO EGC). No utilice aceite mezclado BIA o TCW (tipo de 2 tiempos refrigerado por agua).
- No utilice nunca aceites multigrado (10W130) ni residuales.
- Mezcle siempre la gasolina y el aceite en un recipiente especial para ello que esté limpio.

Empiece llenando el recipiente hasta la mitad con gasolina y añada luego todo el aceite. Sacuda la mezcla y añada el resto de la gasolina.

Antes de llenar el depósito agite la mezcla cuidadosamente.

Repostar

⚠ ATENCIÓN!

- Parar siempre el motor antes de repostar.
- Para llenar el combustible del tanque, deberá abrirse lentamente la tapa del tanque de combustible para que escape la sobrepresión que pueda con-tener.
- Después de haber repostado, apretar bien la tapa.
- Antes de arrancar la unidad, deberá alejarse por lo menos 3m (10 pies) del área de carga de combustible.

Antes de repostar, limpiar cuidadosamente el área del tapón del tanque, para asegurar que no entre suciedad en el depósito. Asegurarse de que el combustible está bien mezclado agitando bien el recipiente antes de verter su contenido en el depósito.

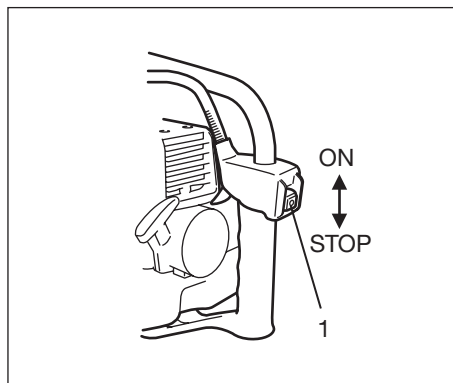


Fig. 2-2

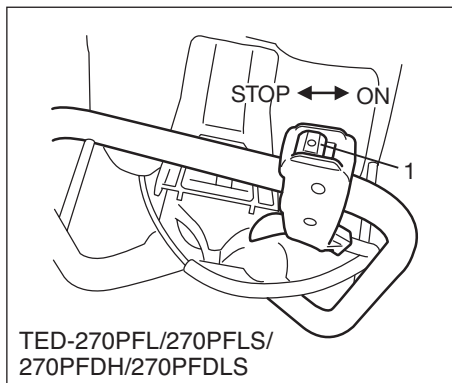


Fig. 2-2B

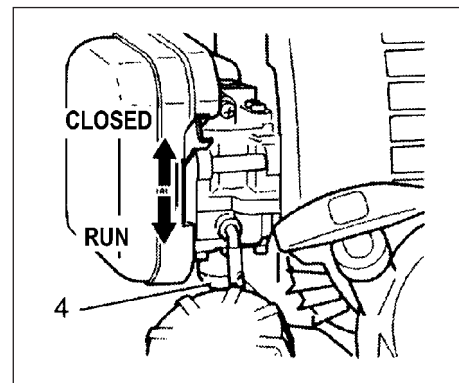


Fig. 2-3

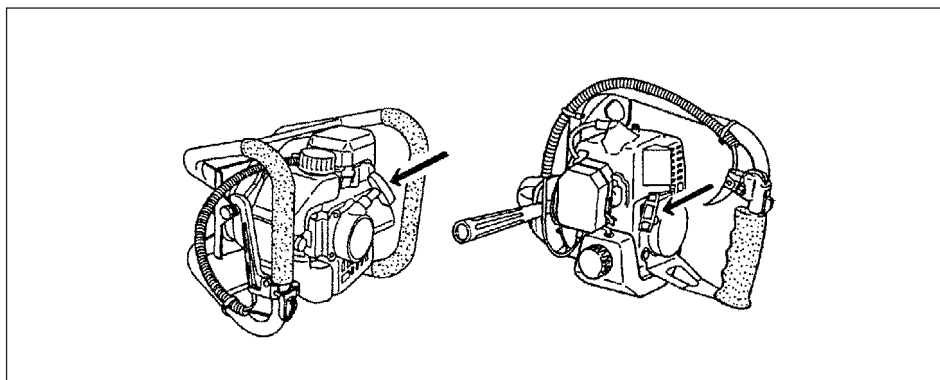


Fig. 2-4

Arranque

1. Fijar la llave de ignición (1) en la posición ON (encendida). (Fig. 2-2, 2B)
*Presione varias veces el bulbo de cebador (4), de manera que el combustible fluya a través del bulbo o de la tubería de retorno (Si lo tiene equipado). (Fig. 2-3)
2. Poner la palanca del estrangulador en la posición cerrada (CLOSED). (Fig. 2-3)
3. Tirar enérgicamente del arrancador de retroceso y teniendo cuidado en no soltar el mango. (Fig. 2-4)
4. Cuando se note que el motor tiende a arrancar, poner el estrangulador en la posición de funcionamiento (abierto). Tirar entonces enérgicamente del arrancador una vez más. (Fig. 2-3)

NOTA!

Si el motor no se pone en marcha, repítanse los puntos 2 al 4.

5. Después de arrancar el motor, permitir que el motor se caliente unos 2-3 minutos antes de someter a cualquier carga.

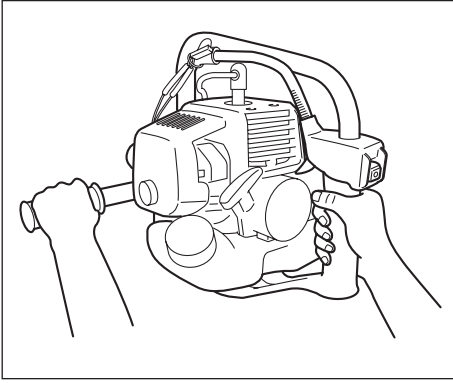


Fig. 2-5

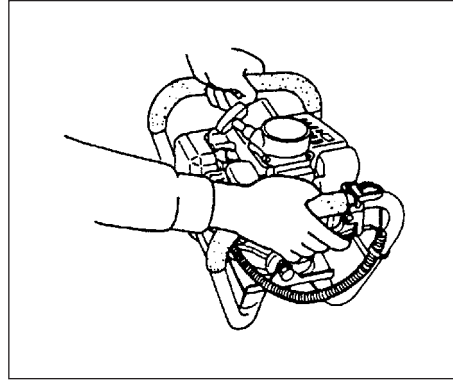


Fig. 2-5B

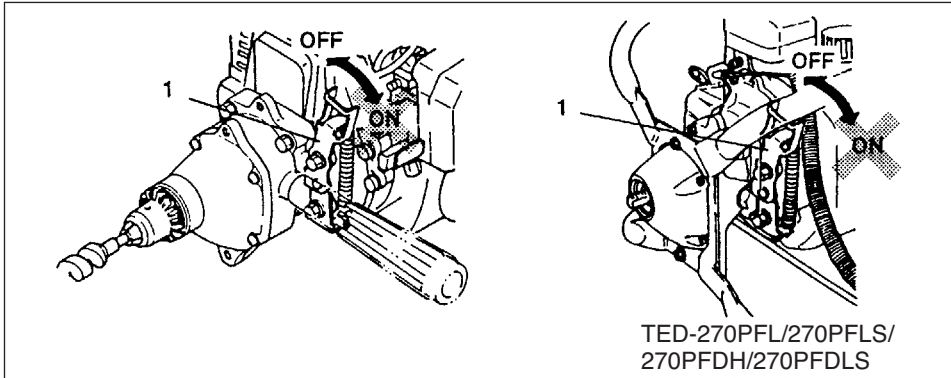


Fig. 2-5C

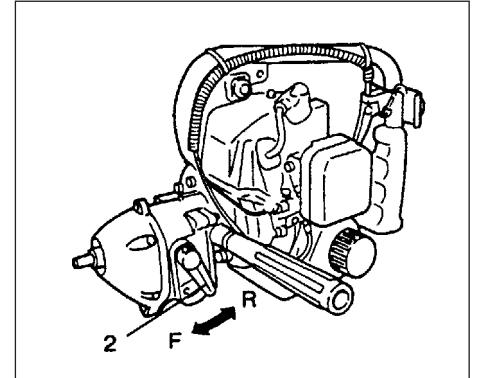


Fig. 2-5D

Perforación (Fig. 2-5, 5B)

- La manija deberá sostenerse siempre firme con ambas manos con el cuerpo perfectamente balanceado.
- Operar el motor a alta velocidad y permitir que el barreno realice el trabajo. No forzar el barreno dentro del orificio.
- Si el material se enreda alrededor del barreno, parar el motor y permitir que se enfríe la unidad y desconectar el cable de la buja antes de intentar la limpieza del barreno.
- Parar el motor e inspeccionar la unidad cuando se produzcan vibraciones o ruidos anormales.

Cómo operar el control de Cierre (en TED-270PFL/270PFLS/270PFDH/ 270PFDLS) (Fig. 2-5C)

NOTA!

Siempre paren el motor antes de operar el control de Cierre.

- Cuando la cuchilla esté trabada en un objeto, paren el motor y enciendan la palanca de cierre (1).
- Giren la unidad entera en la dirección contraria del reloj para que la cuchilla pueda extraerse fácilmente.
- Cuando la unidad no se mueva, gírenla un poco en la dirección del reloj y luego, gírenla de nuevo en la dirección contraria del reloj.

Cómo operar el control de Reversión (en TED-270PFR/270PFRSS) (Fig. 2-5D)

- Bajen la velocidad del motor a la marcha lenta y muevan la palanca de reversión (2) a la posición R (reversión), luego, acélerenlo para que la cuchilla se desenganche.
 - Puede ser que no se mueva la palanca de reversión, amens que funcione el motor. En tal caso, hágase girar un poco el mandril de broca con la mano.
- * El objetivo principal del control de Cierre y el control de Reversión es desenganchar la cuchilla con facilidad.

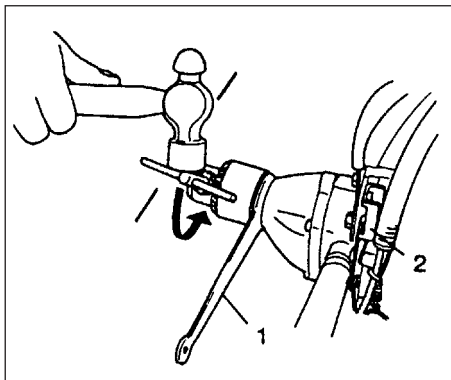


Fig. 2-6

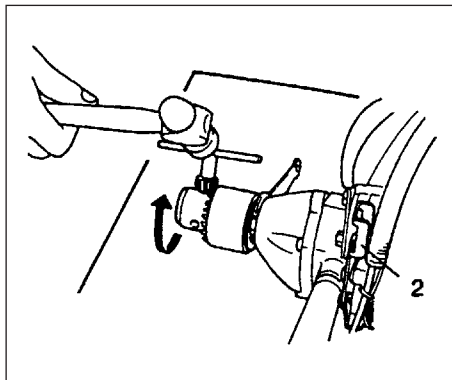


Fig. 2-6B

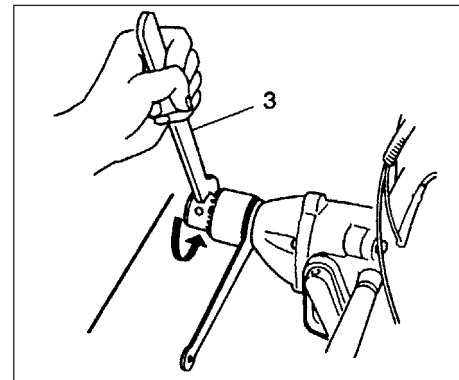


Fig. 2-7

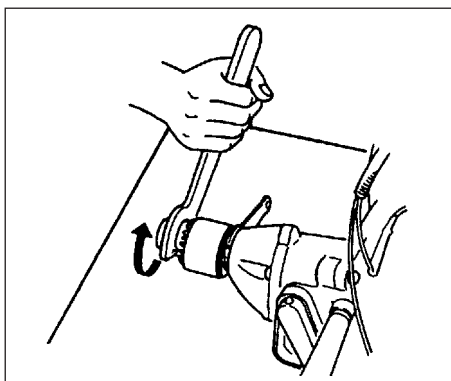


Fig. 2-7B

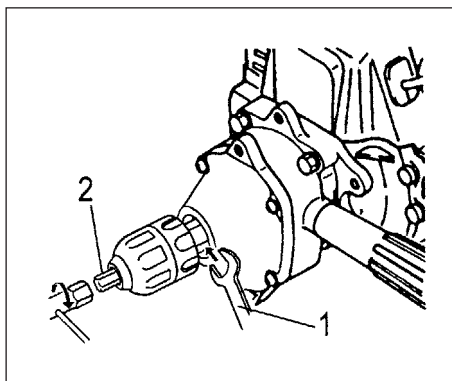


Fig. 2-7C

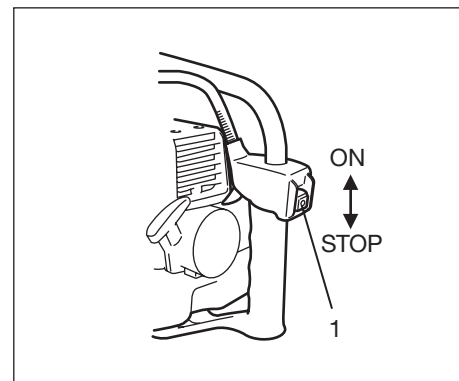


Fig. 2-8

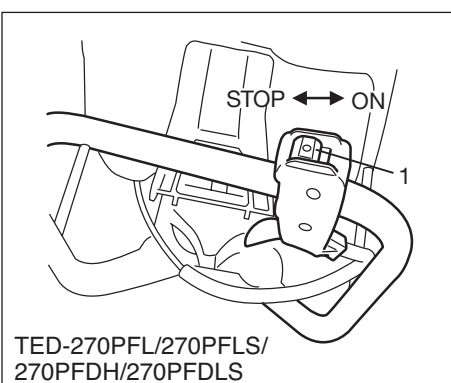


Fig. 2-8B

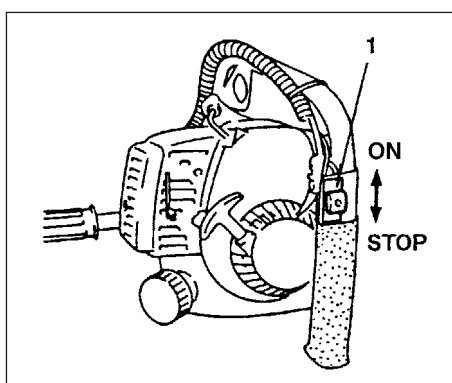


Fig. 2-8C

TED-270PFL/270PFLS/
270PFDH/270PFDLS

- Apretar el bota más seguramente, puso una 19 Mm llave grande (1) entre el caso engranados bota para cerrar árbol motor. La vuelta en cierra palanca (2) entonces golpeó el montado bota el asidero con un martillo para atornillar (a la derecha) el bota. (TED-270PFL/270PFLS/270PFDH/270PFDLS/270PFHS) (Fig. 2-6)
- aflojar el bota, puso la llave grande en el otro lado y golpeó el bota el asidero de este lado para enroscar fuera (a la izquierda), el bota con la palanca de la cerradura en. ¡(TED-270PFL/270PFLS/270PFDH/270PFDLS/270PFHS) (Fig. 2-6B)
- Nota! el uso bota la llave inglesa del monte (3) en lugar de bota el asidero y aprieta o untighten manualmente en vez de golpear. No golpee el bota la llave inglesa del monte. (Fig. 2-7, 7B)
- instalar o aflojar el sin llaves bota, puso una 19 Mm llave grande (1) entre el caso engranado y bota para cerrar árbol motor. Instale la barra que cierra (2) en el estuche de herramientas en el bota, y entonces aprieta (a la derecha) la barra (2) con la llave grande encerrada de caja o afloja (a la izquierda). (Fig.2-7C)

Parada (Fig. 2-8, 8B, 8C)

- Reducir la velocidad del motor y pulsar la llave de ignición a la posición de parada.

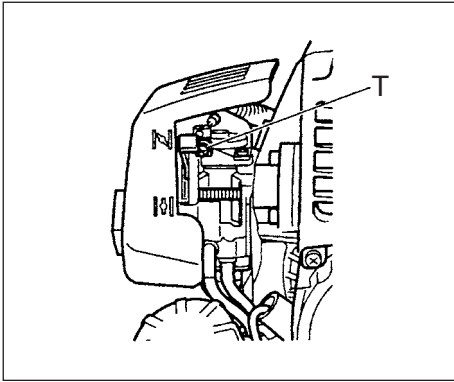


Fig. 3-1

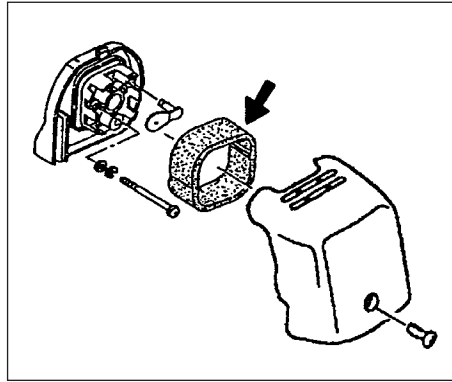


Fig. 3-2

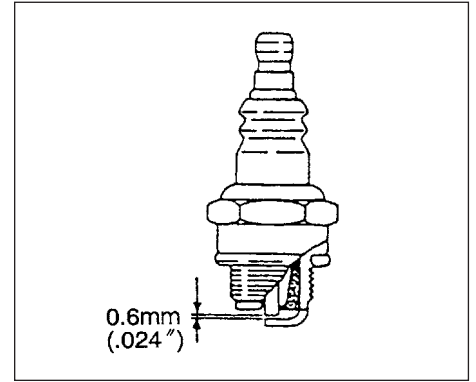


Fig. 3-3

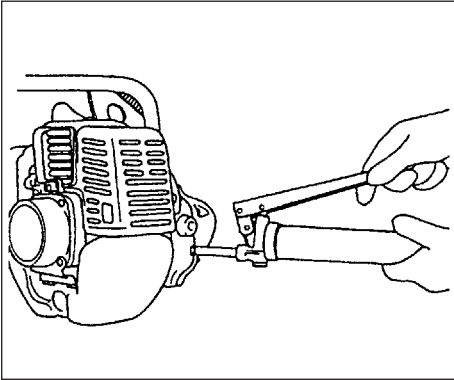


Fig. 3-4

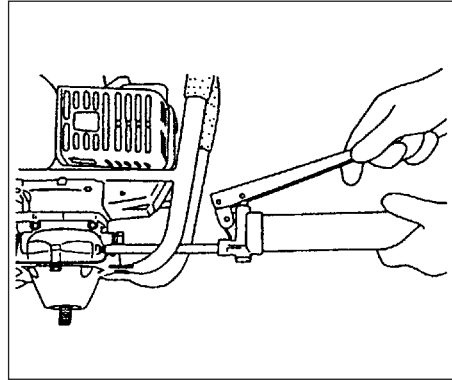


Fig. 3-4B

5. Mantenimiento

MANTENIMIENTO, REEMPLAZO O REPARACIÓN DE DISPOSITIVOS Y SISTEMAS DE CONTROL DE GAS PUEDEN HACERSE EN CUALQUIER TALLER DE REPARACIÓN DE MOTOR NO PARA CARRERAS O PERSONALMENTE.

Ajuste del carburador (Fig. 3-1)

⚠ ATENCIÓN!

Es posible que la broca dé vueltas durante los ajustes del carburador.

⚠ ATENCIÓN!

Nunca deben arrancar el motor sin estar completados la cubierta de embrague y caja de engranajes ensamblados. De no ser así, puede desprenderse el embrague y ocasionar daños personales.

En el carburador se mezcla el combustible con el aire. Durante la prueba del motor en la fábrica, el carburador está ajustado. Sin embargo, puede ser necesario reajustarlo según el clima y la altitud. El carburador tiene una posibilidad de ajuste:

T = Tornillo para el ajuste de las revoluciones de ralentí.

Ajuste de precisión de ralentí (T)

Compruebe que el filtro de aire esté limpio. Cuando la velocidad de ralentí es correcta, la cuchilla no ha de girar. Si se requiere el ajuste cierre (sentido destrógiro) el tornillo T con el motor en marcha hasta que la cuchilla empiece a girar. Abra (sentido siniestrógiro) el tornillo T hasta que la cuchilla se detenga. Se habrá alcanzado el ralentí correcto cuando el motor funcione con regularidad en cualquier posición muy por debajo de las que empieza a girar la cuchilla. Si la broca todavía gira después del ajuste de la velocidad al ralentí, comuníquese con un distribuidor Tanaka.

⚠ ATENCIÓN!

En ningún caso se permitirá que la cuchilla gire incidentalmente con el motor funcione en ralentí.

Filtro de aire (Fig. 3-2)

Este filtro debe limpiarse con regularidad quitando polvo y suciedad a fin de evitar:

- Perturbaciones en el funcionamiento del carburador.
- Problemas de arranque.
- Pérdidas de potencia.
- Desgaste innecesario de las piezas del motor.
- Consumo de combustible excesivo.

Limpie el filtro de aire diariamente; si las condiciones de trabajo son desfavorables, más a menudo.

Limpieza del filtro de aire

Desmontar la cubierta del filtro y sacar éste. Limpiarlo con agua jabonosa caliente. Antes de volver a montar el filtro, comprobar que está seco. Un filtro de aire que ha prestado largo servicio, nunca podrá quedar completamente limpio, por lo que los filtros deberán sustituirse por otros nuevos a intervalos regulares. Cambie siempre los filtros que estén dañados.

NOTA!

Sature el elemento en aceite de 2 ciclos o equivalente. Comprime el elemento para distribuir el aceite completamente y para retirar cualquier exceso de aceite.

Bujía (Fig. 3-3)

El estado de la bujía es influenciado por:

- Carburador mal ajustado.
- Mezcla incorrecta de combustible y aceite (exceso de aceite).
- Filtro de aire sucio.
- Condiciones de funcionamiento difíciles. (como clima frío)

Todos estos factores dan lugar a la formación de sedimentos en los electrodos pudiendo causar perturbaciones en el funcionamiento y dificultades de arranque. Si en la cortadora se nota falta de potencia, si los arranques son difíciles y si el ralentí es inestable, controlar siempre primero la bujía antes de adoptar otras medidas. Si la bujía está muy sucia, limpiarla y controlar la separación entre electrodos, que ha de ser de 0,6 mm (0.024 pulg.). La bujía debe cambiarse después de unas 100 horas de funcionamiento o antes si los electrodos están muy gastados.

NOTA!

En algunas áreas, los reglamentos locales requieren el uso de una bujía de encendido de resistencia para eliminar señales de ignición. En el caso de que esta máquina estaba equipada originalmente de la bujía de encendido de resistencia, debe usar algún tipo de bujía de encendido de resistencia como reemplazo.

Caja de engranajes (Fig. 3-4, 4B)

Aplíquese grasa a base de litio de buena calidad a través de la graseira. Hay que efectuar la lubricación a intervalos de 50 horas o con más frecuencia en caso de servicio intenso.

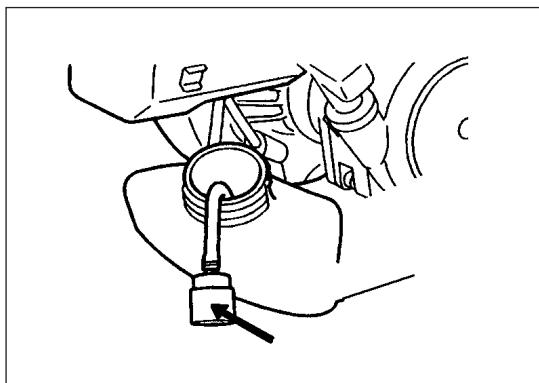


Fig. 3-5

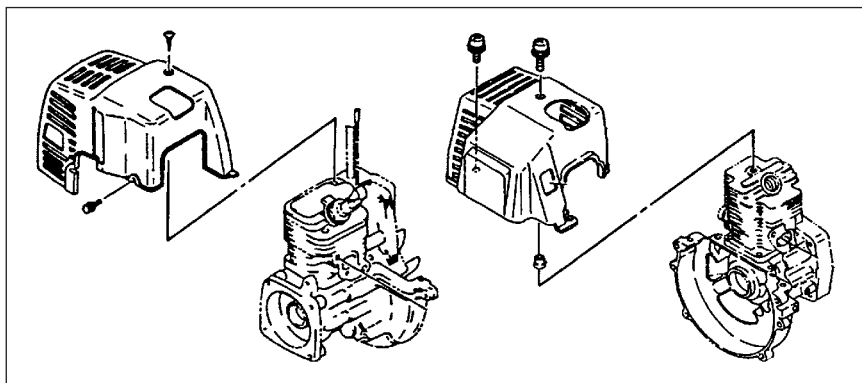


Fig. 3-6

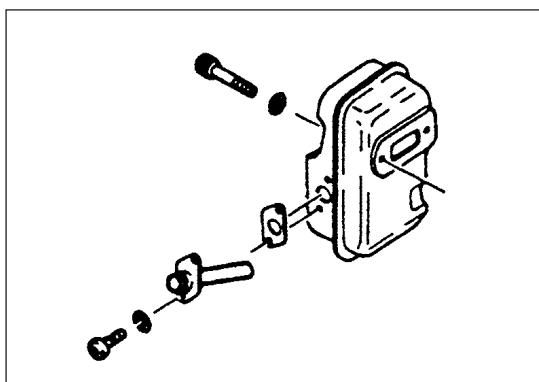


Fig. 3-7

Filtro de combustible (Fig. 3-5)

Quitar el filtro de combustible del tanque de combustible y lavar totalmente con solvente. Posteriormente, se volverá a insertar totalmente el filtro en el tanque.

NOTA!

Si el filtro estuviera obstruido debido al polvo y la suciedad, deberá reemplazarse.

Limpieza de las aletas del cilindro (Fig. 3-6)

El motor puede recalentarse y perder la potencia cuando queden atrapadas las astillas de madera entre las aletas del cilindro. Para evitar este problema, deben mantenerse las aletas del cilindro y la caja del ventilador siempre limpias.

Cada 100 horas de operación, o una vez al año (o con más frecuencia cuando sea necesario), limpiar aletas y la superficie exterior del motor, eliminando sedimentos de polvos, suciedad y aceite que causen el enfriamiento inadecuado.

Limpieza del silenciador (Fig. 3-7)

Desmontar el silenciador y parachispas (si lo tiene equipado), y limpiar cualquier exceso de carbón de la boca de escape o entrada del silenciador cada 100 horas de operación.

Para el almacenamiento durante largos periodos

Drenar totalmente el contenido del tanque de combustible. Arrancar el motor y dejarlo en funcionamiento hasta que se pare. Reparar cualquier daño que haya sufrido por el uso. Limpiar la unidad con trapo limpio o soplear con la manguera de aire de alta presión. Aplicar algunas gotas de aceite de motor para motocicletas dentro del cilindro a través del orificio de la bujía de encendido y girar el motor varias veces para que se distribuya el aceite. Cubrir la unidad y almacenar en un lugar seco.

Esquema de mantenimiento

Siguen a continuación algunas instrucciones generales de mantenimiento. Para obtener información adicional, sírvase contactar a un distribuidor Tanaka.

Cuidados diarios

- Limpie la máquina por fuera.
- Verificar que el aditamento de taladro esté centrado, filoso y sin fisuras. La cuchilla descentrada producirá vibraciones fuertes que pueden dañar la unidad.
- Comprueben el suficiente apriete de la tuerca fijadora del aditamento de taladro.
- Controlar que las tuercas y tornillos est apretados.





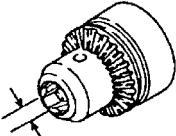
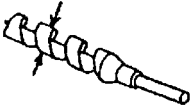
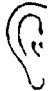

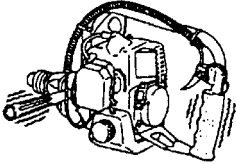
Cuidados semanales

- Controle el aparato de arranque, la cuerda y el muelle de recuperación.
- Limpie la bujía por fuera. Desmóntela y controle la distancia entre electrodos que ha de ser de 0,6 mm, o cambie la bujía.
- Limpie las aletas de refrigeración del cilindro y controle que no se ha obstruido la admisión de aire.
- Compruebe que el reductor de reenvío está lleno en sus 3/4 partes de lubricante..
- Limpie el filtro de aire.

Cuidados mensuales





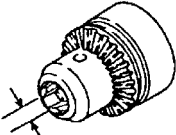



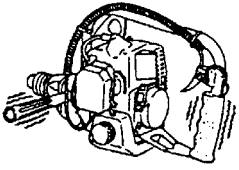
- Limpie el depósito de combustible con gasolina.
- Limpie el carburador por fuera y los alrededores del mismo.
- Limpie el ventilador y sus alrededores.

6. Especificaciones

MODELO	TED-270PFL/ TED-270PFLS	TED-270PFR/ TED-270PFRS	TED-270PFHS
			
Tamaño del motor (ml)	26.9 (1.64 cu. in.)	←	←
			
Bujía	Champion CJ-8 o equivalente	←	←
			
Capacidad del tanque de combustible (l)	0.67 (22.8 fl. oz)	←	←
			
Peso en vacío (kg)	5.1 (11.2 lbs)	5.6 (12.3 lbs)	5.0 (11.0 lbs)
			
Bota la Capacidad (mm)	12.7 (1/2 in)	←	←
El Diámetro del árbol motor	1/2"-20 UNF	←	←
			
Max. Mordió el Tamaño (mm)	25.4 (1 in) (Wood)	←	←
El Control Inverso			
El Control de la Cerradura			
			
Nivel de presión de sonido	LpA 95.1	95.1	95.1
(dB(A)) (EN 27917)			
			
Nivel de potencia de sonido	LwA 116	116	116
(db(A))			
			
Nivel de vibración (m/s ²) (ISO 7916)			
Manija frontal	7.1	7.1	7.1
Manija posterior	7.2	7.2	7.2

NOTA : Nivei de ruido equivalente/el nivel de vibración se calcula como energía total del tiempo ponderado para ruidos/nivel de ruido hajo varias condiciones de marcha con la siguiente distribución de tiempo: 1/2 marcha lenta, 1/2 marcha a toda velocidad.

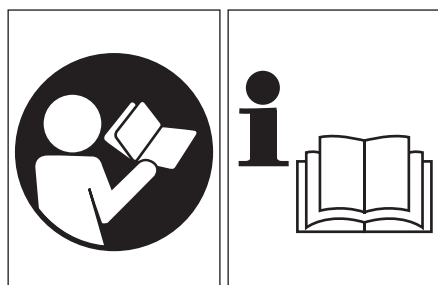
*Todos los datos pueden modificarse sin aviso previo.

MODELO	TED-270PFDH	TED-270PFDLS
		
Tamaño del motor (ml)	26.9 (1.64 cu. in.)	←
		
Bujía	Champion CJ-8 oo equivalente	←
		
Capacidad del tanque de combustible (l)	0.67 (22.8 fl. oz)	←
		
Peso en vacío (kg)	6.6	6.6
		
Bota la Capacidad (mm)	12.7(1/2 in)	←
El Diámetro del árbol motor	1/2"-20 UNF	←
		
Max. Mordió el Tamaño (mm)	25.4 (1 in)	←
(Wood)		
El Control Inverso		
El Control de la Cerradura		
		
Nivel de presión de sonido	LpA (dB(A)) (EN 27917) 94.0	94.1
		
Nivel de potencia de sonido	LwA (db(A)) 104	104
		
Nivel de vibración (m/s ²) (ISO 7916)		
Manija frontal	7.81	Right 6.50
Manija posterior	5.66	Left 6.76

NOTA : Nivei de ruido equivalente/el nivel de vibración se calcula como energía total del tiempo ponderado para ruidos/nivel de ruido hajo varias condiciones de marcha con la siguiente distribución de tiempo: 1/2 marcha lenta, 1/2 marcha a toda velocidad.
*Todos los datos pueden modificarse sin aviso previo.

Tanaka[®]

TED-270PFL/PFLS
TED-270PFR/PFRS
TED-270PFHS/PFDH
TED-270PFDLS

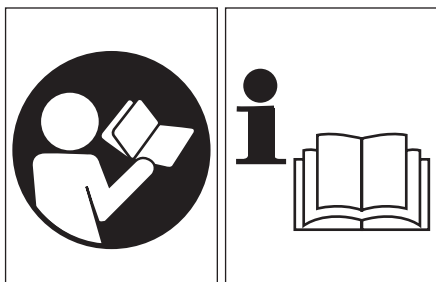


Lees de handleiding zorgvuldig
door voordat u de machine
bedient.

Gebruiksaanwijzing

WAARSCHUWING

De uitlaatgassen van dit product bevatten chemische stoffen die volgens de staat van Californië kanker, geboortefwijkingen en andere schade aan de voortplantingsorganen kunnen veroorzaken.



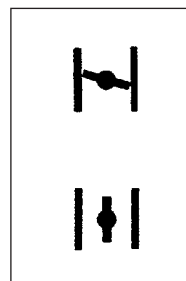
Het is belangrijk dat u de volgende veiligheidsaanwijzingen en waarschuwingen leest, goed begrijpt en opvolgt. Nalatig of ondeskundig gebruik van de machine kan ernstig of zelfs dodelijk letsel veroorzaken.



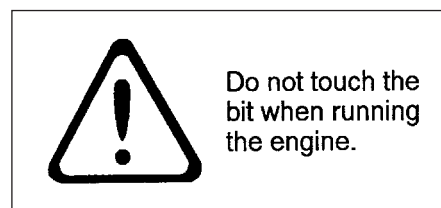
Lees en begrijp alle waarschuwingen en aanwijzingen in deze gebruiksaanwijzing en op het apparaat, en leef ze na.



Draag altijd bescherming voor ogen, hoofd en oren tijdens het gebruik van de machine.



Verklaart de positie van de choke. Het bovenste teken betekent dat de choke gesloten is; het onderste teken dat de choke geheel geopend is.



Raak het boorstuk niet aan terwijl de machine in werking is.

Alvorens u met het gebruik van de machine begint

- Lees de handleiding zorgvuldig door.
- Controleer of de zaag goed is gemonteerd en ingesteld.
- Start de machine en controleer of de carburateur goed is afgesteld. Zie "Onderhoud".

Verklaring van overeenstemming

Wij, Nikko Tanaka Engineering Co., Ltd., 3-4-29 Tsudanuma, Narashino, Chiba, Japan

Verklaren onder eigen verantwoordelijkheid dat het product, motorboor

TED-270PFL/PFLS
TED-270PFR/PFRS
TED-270PFHS/PFDH
TED-270PFDLS

waarop deze verklaring betrekking heeft, overeenstemt met de desbetreffende veiligheidseisen van de richtlijnen

98/37/EC, 89/336/EEC, 2000/14/EC

De volgende standaards zijn toegepast

ISO 3864 (EN ISO 1200-1/2)

Geproduceerd in: Chiba, Japan op 01/01/2008

Handtekening:



Yoshio Osada

Serienr. vanaf

E001001

Positie: Directeur

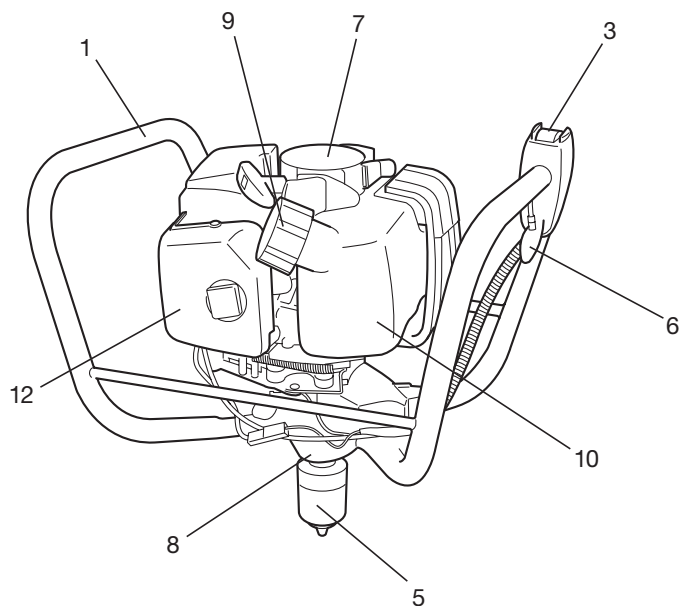
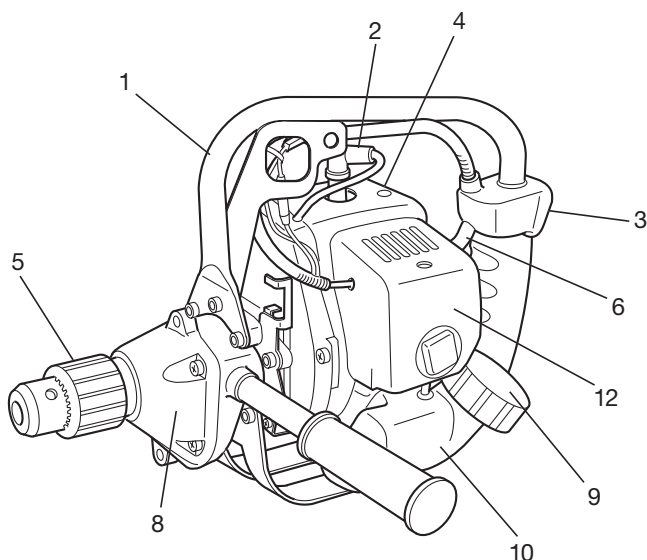
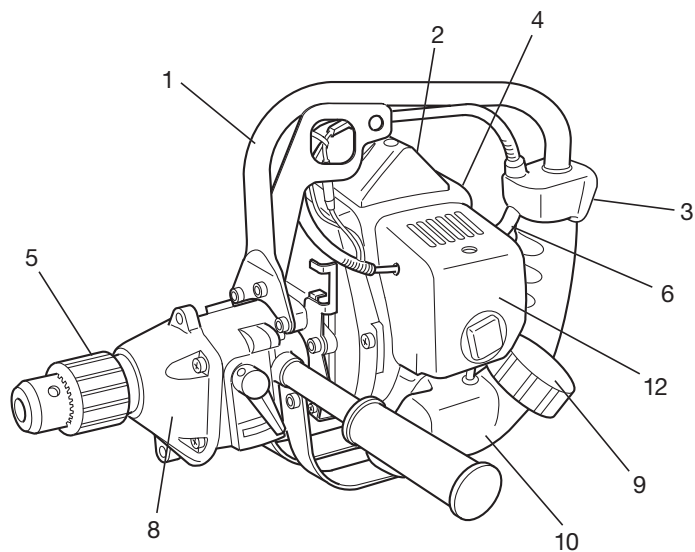
Inhoudsopgave

Wat is wat? _____	4
Waarschuwingen en veiligheidsinstructies _____	5
Montageprocedure _____	6
Bediening _____	6
Onderhoud _____	10
Specificaties _____	12

1. Wat is wat?

Daar deze handleiding voor verscheidene modellen gelijk is, kunnen er verschillen zijn tussen uw machine en de afbeeldingen. Pas de aanwijzingen toe die op uw machine van toepassing zijn.

1. Handgreep
2. Bougiekap
3. Ontstekingschakelaar
4. Geluiddemper
5. Boorhouder eenheid
6. Gashendel
7. Trekstarter
8. Drijfwerkkast
9. Benzinetankdop
10. Brandstoftank
11. Schakelhendel
12. Luchtreiniger
13. Gat voor riem



2. Waarschuwingen en veiligheidsinstructies.

Veiligheid van de gebruiker

- Draag altijd een vizier of veiligheidsbril.
- Gebruik handschoenen bij het slijpen van de ketting.
- Altijd een dikke, lange broek, laarzen en handschoenen dragen. Geen losse kleding, sieraden, korte broek of sandalen dragen of op blote voeten lopen. Maak uw haar zodanig vast dat het niet op uw schouder hangt.
- Gebruik deze machine niet indien u moe of ziek bent of alcohol, drugs of medicijnen heeft ingenomen.
- Laat nooit kinderen of onervaren personen aan de machine.
- Draag oorbeschermers.
- Nooit de machine starten of laten lopen in gesloten ruimtes en gebouwen. Uitlaatgassen inademen kan dodelijk zijn.
- Houd de hendels vrij van olie en brandstof.
- Raak het boorgereedschap niet aan.
- Houd de eenheid/machine nooit aan het boorgereedschap vast.
- Als de eenheid uitgeschakeld is, controleer eerst of het boorgereedschap stil staat, voordat u de eenheid/machine neerzet.
- Als de werkzaamheden langer duren, moet er regelmatig pauze worden gehouden om lichamelijk letsel, bijv. door de vibratie, te vermijden (Raynaud fenomeen / "white finger disease").

Machineveiligheid

- Controleer de machine voor elk gebruik. Vervang beschadigde onderdelen. Let op brandstoflekken en controleer of alle bevestigingsmiddelen aanwezig zijn en vastzitten.
- Vervang onderdelen die gescheurd, gebroken of ander beschadigd zijn alvorens u met de machine begint te werken.
- Stel de carburateur af op een plaats waar zich niemand anders in de directe omgeving bevindt.
- Gebruik uitsluitend vervangende onderdelen die door de fabrikant voor deze machine zijn aanbevolen.

WAARSCHUWING!

Breng geen wijzigingen aan de machine aan. Gebruik het boorgereedschap uitsluitend voor werkzaamheden waarvoor het bedoeld is.

Veiligheid en brandstof

- Meng en tank brandstof in de buitenlucht en buiten bereik van vlammen en vonken.
- Gebruik alleen voor brandstof toegestane jerrycans.
- Rook niet en sta roken ook niet toe in de buurt van brandstof of in de omgeving van de machine of tijdens gebruik van de machine.
- Neem alle geknoeiide brandstof op alvorens de motor te starten. Ga minstens 3 m van de plaats waar u tankt vandaan alvorens u de motor start.
- Stop de motor alvorens u de benzinedop verwijdert.
- Als u de machine opbergt, eerst de tank legen. Wij raden u aan na gebruik altijd de tank te legen. Als u de machine toch met brandstof opbergt, let er dan op dat hij niet kan lekken.
- Berg de machine en de brandstof op waar de dampen niet door vonken of open vuur kunnen worden ontstoken, van bijv. geisers, boilers, elektromotoren, schakelaars, etc.

WAARSCHUWING!

Trillingsdempingssystemen kunnen niet garanderen dat u geen fenomeen van Raynaud of carpaltunnel-syndroom kunt oplopen. Daarom moet de gebruiker die regelmatig continu met de zaag werkt de toestand van handen en vingers in de gaten houden. Als bovengenoemde klachten optreden, meteen een arts opzoeken.

Veiligheid bij het boren

- Boor geen ander ander materiaal dan datgene waarvoor deze machine bedoeld is.
- Voordat u begint altijd eerst het gedeelte controleren dat u gaat boren. Verwijder alle voorwerpen die klem kunnen komen te zitten of weggeslingerd kunnen worden.
- Draag een aerosol-beschermingsmasker ter bescherming van de ademhaling als u gaat boren nadat een insecticide is gestrooid.
- Houd omstanders, kinderen, helpers, maar ook dieren buiten de gevarenszone van 5 m. Stop de machine onmiddellijk als iemand dichterbij komt.
- Houd de machine met beide handen stevig vast.
- Neem een stabiele houding aan. Reik niet te ver.
- Houd alle delen van uw lichaam uit de buurt van de geluidsdemper en het boorhulpstuk, terwijl de machine in werking is.

Veilig onderhoud

- Voer onderhoud aan de machine uit volgens de aanbevolen procedures.
- Neem de kap van de bougie alvorens u onderhoud uitvoert, behalve voor het afstellen van de carburateur.
- Stel de carburateur af op een plaats waar zich niemand anders in de directe omgeving bevindt.
- Gebruik uitsluitend originele vervangende onderdelen van Tanaka.

Transport en opslag

- Draag de machine met de hand met de motor uit en de uitlaat weg van uw lichaam.
- Alvorens u de machine opbergt of in een voertuig transporteert, dient u de motor af te laten koelen, de tank te legen en de zaag te beveiligen.
- Als u de machine opbergt, eerst de tank legen. Wij raden u aan na gebruik altijd de tank te legen. Als u de machine toch met brandstof opbergt, let er dan op dat hij niet kan lekken.
- Berg de machine buiten bereik van kinderen op.
- Maak de machine schoon en voer onderhoud uit alvorens hem droop op te bergen.
- Transporteert u de machine op met de motor volledig uit.
- Als u het boorhulpstuk met een voertuig transporteert, dek de boorkop dan af met een boorafdekking of een tapijt.

Als er situaties optreden die in dit handboek niet staan vermeld, ben dan voorzichtig en handel verstandig. Neem contact met uw Tanaka dealer als u hulp nodig hebt. Let speciaal op aanwijzingen die beginnen met de woorden:

WAARSCHUWING!

Duidt op verhoogd gevaar van ernstig letsel of zelfs dood als de instructies niet worden opgevolgd.

LET OP!

Duidt op gevaar van letsel of materiële schade als de instructies niet worden opgevolgd.

TIP!

Nuttige informatie voor juist gebruik.

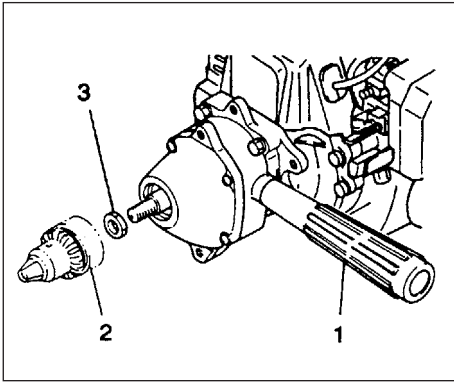


Fig.1-1

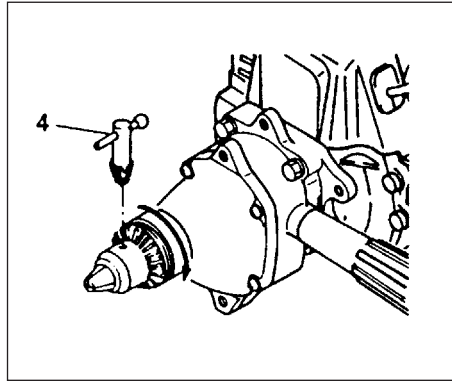


Fig.1-1B

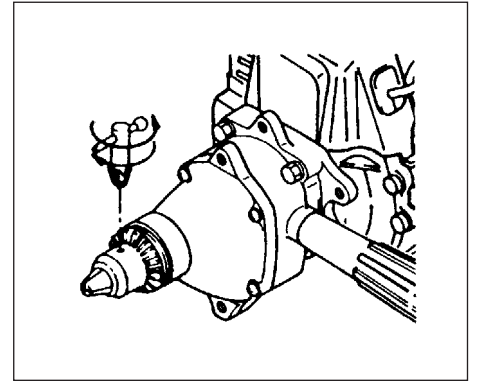


Fig.1-1C

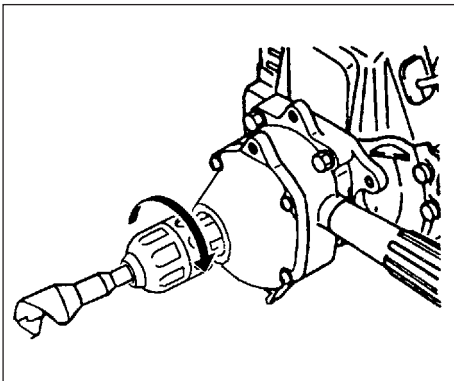


Fig.1-1D

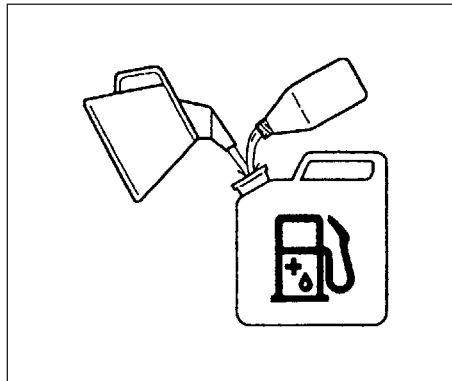


Fig.2-1

3. Montageprocedure

Montage (Fig. 1-1, B, 1 C)

1. Monteer de meegeleverde handgreep (1) aan de drijfwerkkast.
2. Schroef de boorhouder (2) op de drijfwerkkast (met de wijzers van de klok mee) nadat de kraag B (3) geïnstalleerd is (indien aanwezig)
3. Open de boorhouder m.b.v de boorhoudersleutel (4), plaats het boorstuk in de houder en draai het goed vast met de sleutel.

ATTENTIE!

Bij een sleutellose boorhouder, de boorhouder openen en het boorstuk erin plaatsen. Draai daarna de boorhouder goed vast (met de wijzers van de klok mee) totdat hij hoorbaar vastklikt. (Fig. 1-1 D)

Selecteren van een passend boorstuk

Kies een boorstuk dat geschikt is voor het materiaal dat u wilt boren.

4. Bediening

Brandstof (fig. 2-1)

⚠ WAARSCHUWING!

De boormachine is voorzien van een tweetaktmotor. Laat de motor altijd werken op een brandstof die met olie is gemengd. Zorg voor een goede ventilatie als u brandstof bijvult of ermee werkt.

Brandstof

- Gebruik altijd minstens 89 octaan loodvrije merkbenzine.
- Gebruik originele twee-takt olie of een mengsel van 25 :1 tot 50 :1, voor de juiste verhouding raadpleeg a.u.b. het etiket op de olieflles of uw Tanaka dealer.
- Alleen in de staat Californië 50:1).
- Als er geen originele olie beschikbaar is, gebruik dan een kwaliteitsolie voor lucht gekoelde 2-takt motoren, waaraan een anti-oxidatiemiddel toegevoegd is (JASO FC GRADE OIL of ISO EGC GRADE). Gebruik nooit BIA of TCW (voor watergekoelde 2-taktmotoren) gemengde olie.
- Gebruik geen multigrade olie (10 W130) of afvalolie.
- Meng benzine en olie in een aparte jerrycan.

Vul de jerrycan met de helft van de hoeveelheid benzine die u plant te verbruiken. Voeg de tweetaktolie toe. Meng (schud) het mengsel. Voeg de resthoeveelheid benzine toe. Meng (schud) het mengsel grondig alvorens de tank ermee te vullen.

Tanken

⚠ WAARSCHUWING!

- Schakel de motor altijd uit voor het tanken.
- Maak de tank voorzichtig open om te tanken, om de eventuele druk te laten ontwijken.
- Na het tanken dop weer goed vastschroeven.
- Ga minstens 3 m van de plaats waar u tankt vandaan alvorens u de motor start.

Maak de tankdop zorgvuldig schoon voor het tanken zodat er geen vuil in de tank kan vallen. De brandstof dient goed te zijn gemengd door de jerrycan te schudden voor het tanken.

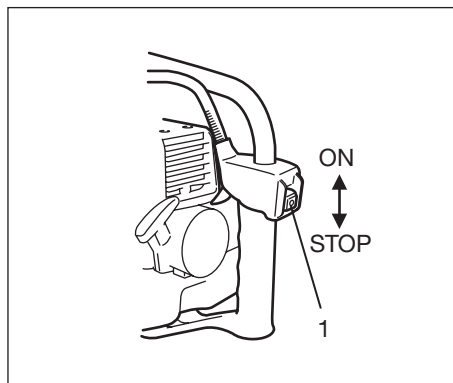


Fig. 2-2

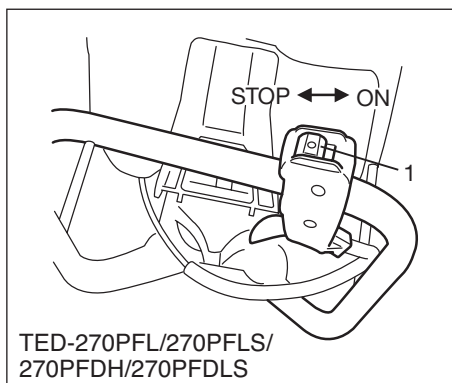


Fig. 2-2B

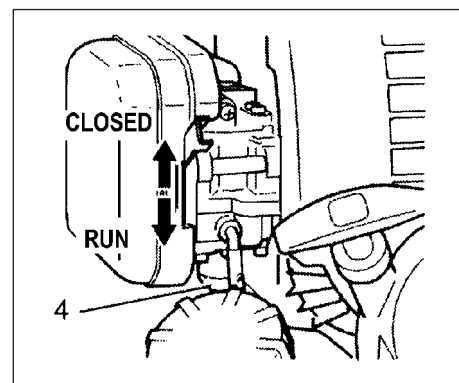


Fig. 2-3

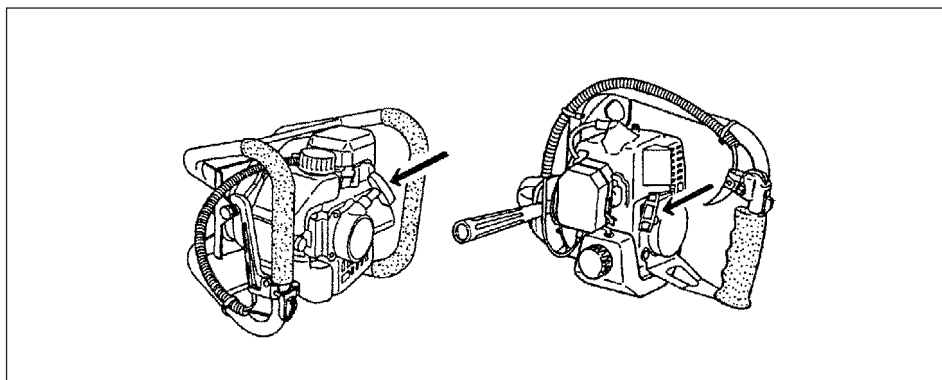


Fig. 2-4

Starten

1. Zet de ontstekingsschakelaar (1) in de positie AAN. (Fig. 2-2, 2B)
*Duw verschillende keren op de injectiepomp (4), zodat de brandstof door de pomp of de terugloopleiding vloeit. (indien aanwezig) (Fig. 2-3)
2. Zet de choke hendel in de positie GESLOTEN. (Fig. 2-3)
3. Trek met een korte ruk aan de trekstarter en zorg ervoor dat u de starter goed in uw hand houdt, zodat hij niet plotseling terug kan schieten. (Fig. 2-4)
4. Als u hoort dat de machine opstart, zet u de choke hendel in de positie START (open). Trek vervolgens nog eens kort aan de trekstarter. (Fig. 2-3)

ATTENTIE!

Als de machine niet wil starten, herhaal dan de stappen 2 tot 4.

5. Na het opstarten moet de machine ongeveer 2-3 minuten warm lopen voordat ze belast kan worden.

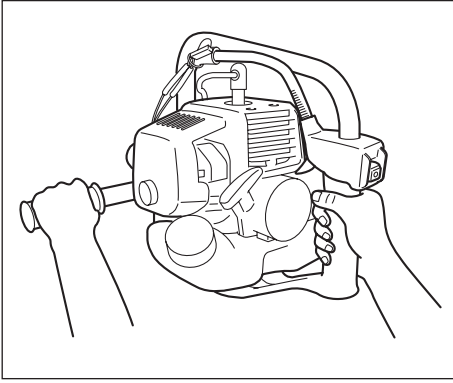


Fig. 2-5

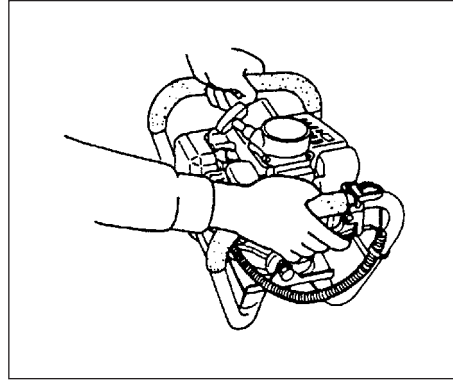


Fig. 2-5B

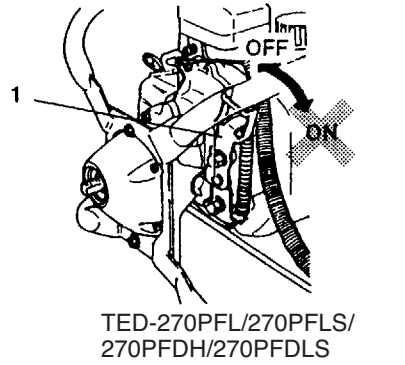
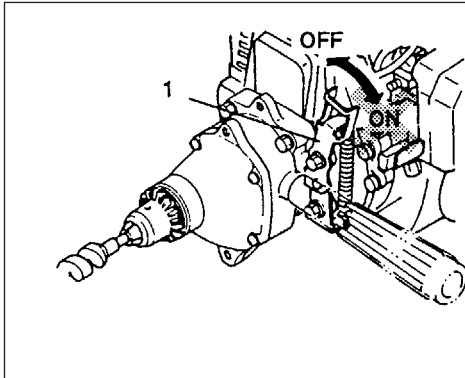


Fig. 2-5C

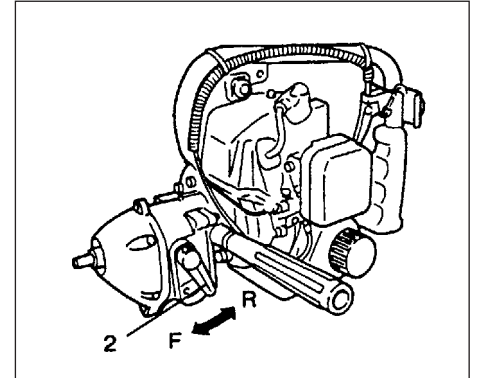


Fig. 2-5D

Boren (Fig. 2-5, 5B)

- Houd de boormachine altijd stevig vast met beide handen aan de handgrepen en zorg ervoor dat u stabiel staat.
- Stel de machine in op een hoge snelheid en laat de boormachine het werk doen. Nooit het boorstuk met geweld in het boorgat drukken.
- Als er materiaal om het boorstuk gedraaid zit, zet dan de motor stop, laat de boormachine afkoelen en verwijder de kabel van de bougie voordat u het boorstuk probeert schoon te maken.
- Zet de motor stop en controleer de machine als zich een abnormale vibratie of een abnormaal geluid voordoet.

Gebbruik van de vergrendelingsschakelaar (bij TED-270PFL/270PFLS/270PFDH/270PFDLS) (Fig. 2-5C)

ATTENTIE!

Zet altijd eerst de machine stop voordat u de vergrendelingsschakelaar gaat gebruiken.

- Als het boorstuk in een boorgat vastgeklemd zit, zet dan de motor stop en activeer de vergrendelingsschakelaar (1).
- Draai de hele machine tegen de wijzers van de klok in, zodat het boorstuk gemakkelijk verwijderd kan worden.
- Als de machine zich niet laat bewegen, draai ze dan even met de wijzers van de klok mee en dan weer in de tegengestelde richting.

Gebbruik van de links-/rechtsdraaiend schakelaar (bij TED-270PFR/270PFRS) (Fig. 2-5D)

- Verlaag de snelheid totdat de machine stationair loopt en beweeg de schakelhendel (2) naar de R (Reverse) positie, verhoog de snelheid dan om het boorstuk te verwijderen.
 - Als de machine niet in werking is, laat de schakelhendel zich soms niet bewegen. Als dit het geval is, draai de boorhouder dan een beetje met de hand.
- * De vergrendelingsschakelaar en de links-/rechtsdraaiend schakelaar zijn hoofdzakelijk bedoeld om het boorstuk gemakkelijker te kunnen verwijderen.

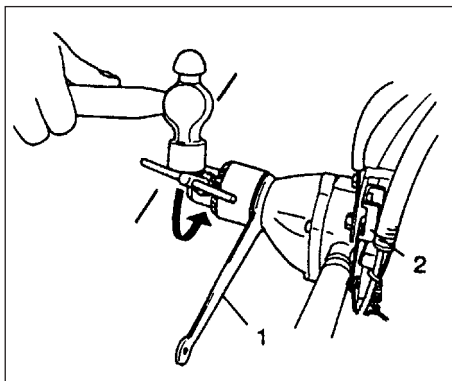


Fig. 2-6

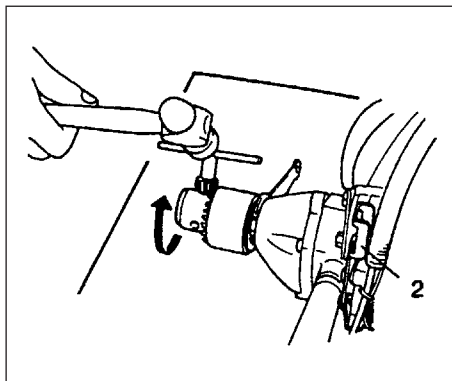


Fig. 2-6B

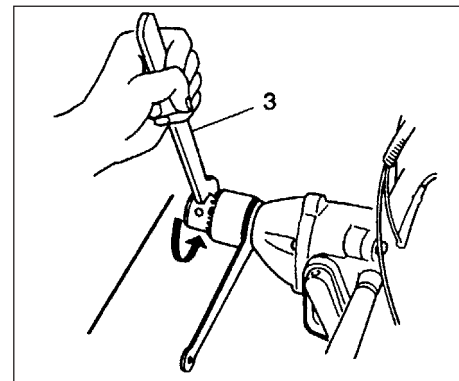


Fig. 2-7

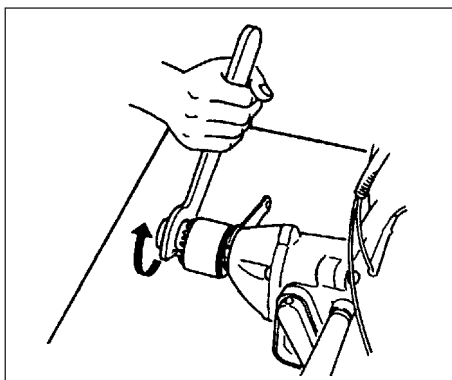


Fig. 2-7B

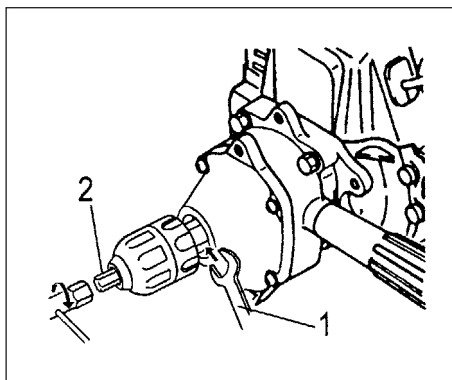


Fig. 2-7C

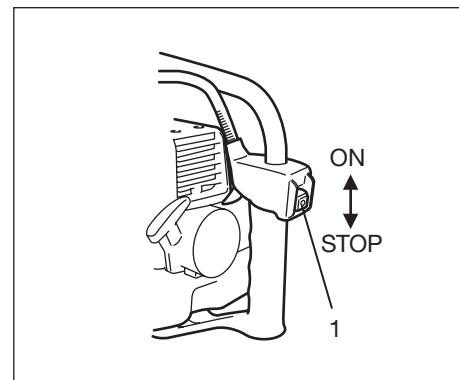


Fig. 2-8

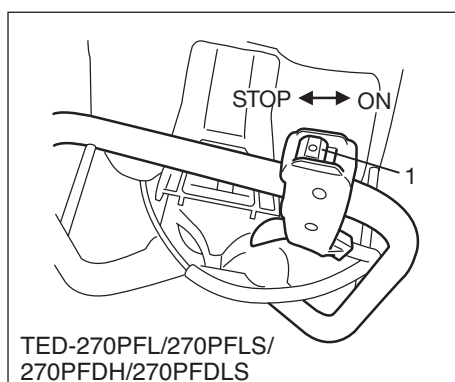


Fig. 2-8B

- Om de boorhouder veiliger vast te draaien, kunt u de aandrijf-as fixeren door een 19mm moersleutel (1) tussen de drijfwerkkast en de boorhouder te plaatsen. Activeer de vergrendelingschakelaar (2) en sla vervolgens met een hamer tegen de boorhoudersleutel (met de wijzers van de klok mee) om de boorhouder vast te draaien. (TED-270PFL/270PFLS/270PFDH/270PFDLS/270PFHS) (Fig. 2-6)
- Om de boorhouder los te draaien, plaats de moersleutel aan de andere kant en sla van deze kant uit (tegen de wijzers van de klok in) tegen de boorhoudersleutel. (TED-270PFL/270PFLS/270PFDH/270PFDLS/270PFHS) (Fig. 2-6B)
- Attentie! moet u een schroefleutel (3) in plaats van een boorhoudersleutel gebruiken en de boorhouder met de hand vast of los draaien. In geen geval met een hamer tegen de schroefleutel slaan. (Fig. 2-7, 7B)

- Om de sleutellose boorhouder vast of los te draaien, moet u een 19mm moersleutel (1) tussen de drijfwerkkast en de boorhouder plaatsen, om de aandrijf-as te fixeren. Plaats de vergrendelstaaf (2) uit de gereedschapstas in de boorhouder, en draai hem vervolgens met de meegeleverde moersleutel vast (met de wijzers van de klok mee) of los (tegen de wijzers van de klok in). (Fig. 2-7C)

Stoppen (Fig. 2-8, 8B)

- Verminder de snelheid van de machine en zet de ontstekingschakelaar in de positie stop.

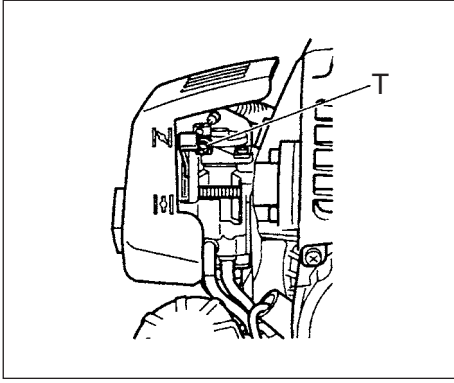


Fig. 3-1

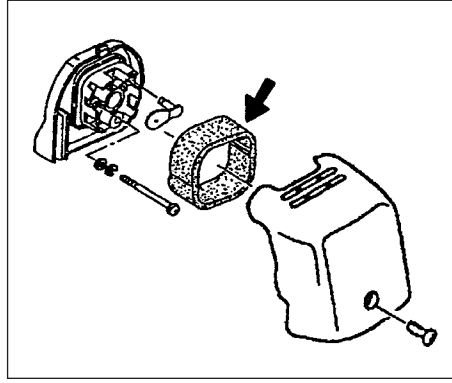


Fig. 3-2

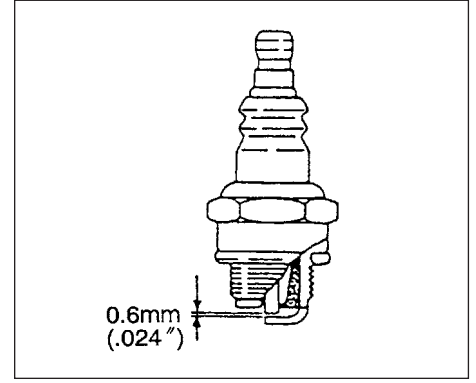


Fig. 3-3

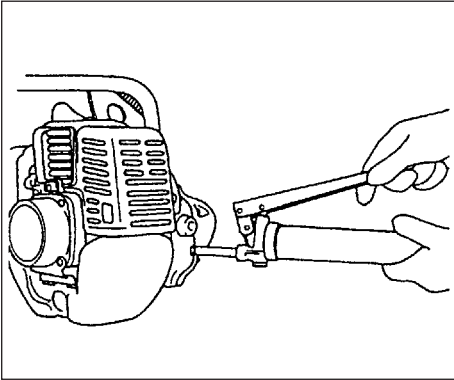


Fig. 3-4

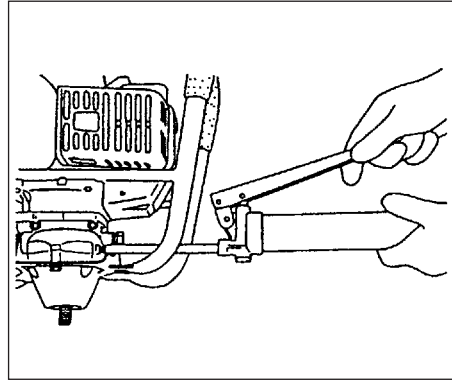


Fig. 3-4B

5. Onderhoud

ONDERHOUD, VERVANGING EN REPARATIE VAN DE ONDERDELEN EN SYSTEMEN DIE MET UITSTOOT VAN UITLAATGASSEN EN GELUIDSOVERLAST TE MAKEN HEBBEN MOGEN WORDEN UITGEVOERD DOOR DESBETREFFENDE VAKBEDRIJVEN EN VAKLUI.

Carburateurafstelling (Afb. 3-1)

⚠ WAARSCHUWING!

Het boorstuk kan mogelijk draaien terwijl de carburateur ingesteld wordt.

⚠ WAARSCHUWING!

Start de motor nooit voordat de complete koppeling, afdekking en de behuizing volledig gemonteerd zijn! De koppeling kan anders los raken en verwondingen veroorzaken.

In de carburateur wordt de brandstof met lucht vermengd. De carburateur wordt afgesteld als de motor wordt getest in de fabriek. Er kunnen aanpassingen nodig zijn, afhankelijk van klimaat en hoogte. De carburateur heeft één afstelbaarheid:

T= afstellingsschroef stationair toerental.

Afstelling stationair toerental (T)

Controleer of de luchtfilter schoon is. Als de stationaire snelheid correct is, draait het boorstuk niet. Als het toerental aangepast moet worden, draai (met de wijzers van de klok) de T-schroef dicht, terwijl de motor aan staat, totdat het boorstuk begint te draaien. Draai (tegen de wijzers van de klok in) de schroef open, totdat het boorstuk stil staat. U heeft de correcte onbelaste snelheid ingesteld, als de machine in alle posities soepel loopt, beneden het toerental (rpm) waarmee het boorstuk begint te draaien.

Als het boorstuk nog draait, nadat u de onbelaste snelheid ingesteld heeft, neem dan contact op met uw Tanaka dealer.

⚠ WAARSCHUWING!

Als de motor onbelast loopt, mag het snijgereedschap in geen enkel geval draaien.

Luchtfilter (Afb. 3-2)

Verwijder stof en vuil uit het luchtfilter (1) om te vermijden dat:

- de carburateur storingen vertoont.
- de motor slecht start.
- de motor minder kracht heeft.
- de motoronderdelen onnodig verslijten.
- de machine meer benzine verbruikt.

Als u in een zeer stoffige omgeving werkt dient u dagelijks het luchtfilter te reinigen.

Luchtfilter reinigen

Verwijder de deksel en het filter. Maak ze schoon met warm zeepwater. Controleer of het luchtfilter droog is voor hermontage. Een luchtfilter dat enige tijd in gebruik is geweest, kan niet meer worden gereinigd. Het moet daarom regelmatig worden vervangen. Beschadigde filters moeten altijd worden vervangen.

ATTENTIE!

Smeer het element overvloedig in met 2-takt olie of iets dergelijks. Druk op het element om de olie volledig te verdelen en om overbodige olie te verwijderen.

Bougie (Afb. 3-3)

De toestand van de bougie wordt negatief beïnvloed door:

- een verkeerde afstelling van de carburateur
- een verkeerde mengsmering (teveel olie in de benzine)
- een vervuild luchtfilter
- zware werkomstandigheden (bijv. koude).

Deze factoren veroorzaken afzettingen op de elektroden van de bougies, wat tot storingen en startproblemen leidt. Als het de motor aan kracht ontbreekt, hij startproblemen vertoont of niet rond stationair loopt, controleer dan eerst de bougie. Is de bougie vuil, maak hem dan schoon en controleer de afstand tussen de elektrodes. Corrigeer indien nodig. De juiste afstand is 0,6 mm. Na ongeveer 100 bedrijfsuren, of ook al eerder als de elektroden weggevreten zijn, dient de bougie te worden vervangen.

TIP!

In sommige gebieden wordt een 'resistor' bougie voorgeschreven om de machine te ontstoren tegen ontstekingssignalen. Als deze machine standaard met een ontstoorde bougie was uitgerust dient u hem met hetzelfde type te vervangen.

Drijfwerkkast (Fig. 3-4, 4B)

Breng op lithium gebaseerd vet van goede kwaliteit via de vetinbrengopening aan. Het apparaat moet na iedere 50 uur worden gesmeerd en bij veelvuldig gebruik nog vaker.

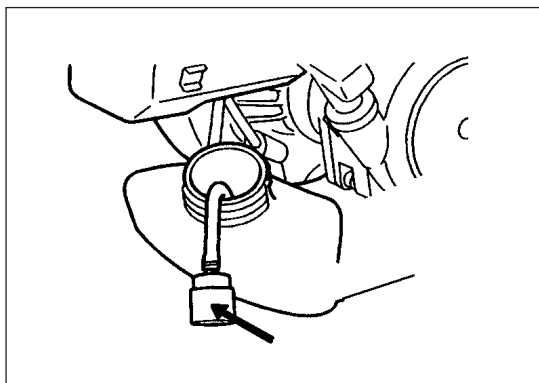


Fig. 3-5

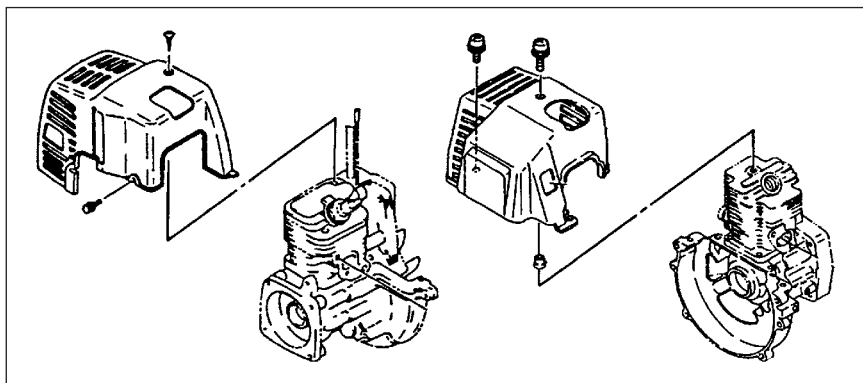


Fig. 3-6

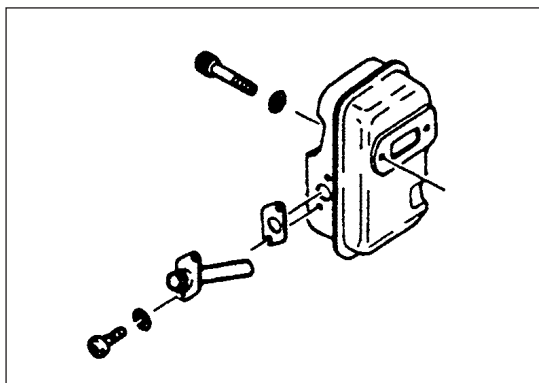


Fig. 3-7

Zijdeksel (Fig. 3-5)

Verwijder het brandstoffilter van de tank en was het uit in benzine. Daarna het filter weer volledig in de tank drukken.

TIP!

Als het filter door stof of vuil hard geworden is, dient u het te vervangen.

Reinigen van de cilinderribben (Fig. 3-6)

Als stukjes hout tussen de cilinderribben vast komen te zitten, kan de motor oververhit raken en minder goed functioneren. Om dit te vermijden dienen de cilinderribben en de ventilatorbehuizing altijd schoon gehouden te worden.

Na 100 bedrijfsuren of eens per jaar (of vaker indien nodig) dienen de koelribben en andere motoroppervlakken van stof, vuil en oliesmeer te worden bevrijd om de koeling.

De uitlaatdemper reinigen (Fig. 3-8)

Verwijder na elke 100 bedrijfsuren de demper en vonkenvanger (indien aanwezig) en verwijder roet uit demper en uitlaatpoort.

Voor langdurige opslag

Maak de tank leeg. Start de motor en laat hem lopen tot hij uitgaat. Repareer beschadigingen die bij het gebruik zijn ontstaan. Maak de machine schoon met een schone doek of met perslucht. Laat een paar druppels tweetaktolie door het gat van de bougie in de motor en laat de zuiger een paar keer op en neer. Berg de machine droog op onder een doek of zeil.

Onderhoudsschema

Hier vindt u nog enkele algemene onderhoudsinstructies. Neem voor verdere informatie a.u.b. contact met uw Tanaka dealer.

Dagelijks onderhoud

- Houd de machine schoon.
- Controleer of het boorhulpstuk correct gecentreerd en scherp is en geen barsten vertoont. Niet correct gecentreerd boorgereedschap veroorzaakt hevige vibraties die eenheid/machine kunnen beschadigen.
- Controleer of het boorhulpstuk goed bevestigd is.
- Controleer of alle schroeven en moeren goed vastgedraaid zijn.





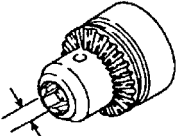

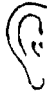

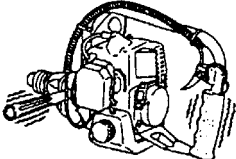
Wekelijks onderhoud

- Controleer de starhendel, het koord en de terugveer.
- Maak de bougie van buiten schoon.
- Verwijder de bougie en controleer de afstand tussen de elektrodes. Corrigeer op 0,6 mm of vervang de bougie.
- Controleer of de drijfwerkkast met vet gevuld is.
- Controleer of het hoekandwiel voor 3/4 met vet gevuld is.
- Luchtfilter reinigen.

Maandelijks onderhoud





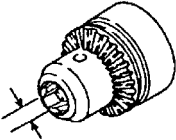



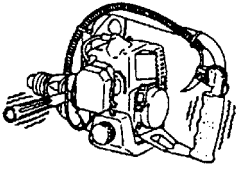
- Spoel de brandstoftank met benzine en reinig het brandstoffilter.
- Reinig het oliefilter van de kettingsmering.
- Reinig de carburateur en de omgeving ervan.
- Reinig de ventilator en de omgeving ervan.
- Haal het roet uit de uitlaat.

6. Specificaties

MODEL	TED-270PFL/ TED-270PFLS	TED-270PFR/ TED-270PFRS	TED-270PFHS
 Motorinhoud (ml)	26.9 (1.64 cu. in.)	←	←
 Bougie	Champion CJ-8 of soortgelijk	←	←
 Capaciteit brandstoftank (l).....	0.67 (22.8 fl. oz)	←	←
 Droog gewicht (kg).....	5.1 (11.2 lbs)	5.6 (12.3 lbs)	5.0 (11.0 lbs)
 Boorhouderopnamecapaciteit (mm).....	12.7 (1/2 in)	←	←
Diameter van de aandrijfjas.....	1/2"-20 UNF	←	←
 Max. grootte v.h. het boorstuk.....	25.4 (1 in) (mm) (hout)	←	←
Links-/rechtsdraaiend schakelaar.....			
Vergrendelingsschakelaar.....			
 Geluidsdrukniveau	LpA 95.1	95.1	95.1
(db(A)) (EN 27917)			
 Geluidsvermogen niveau	LwA 116	116	116
(db(A))			
 Vibratie niveau (m/s ²) (ISO 7916)			
Voorste handgreep	7.1	7.1	7.1
Achterste handgreep	7.2	7.2	7.2

ATTENTIE : Equivalent geluid niveau/vibratie niveau werd berekend zoals de tijdgewogen totale energie voor geluid/vibratie niveau's, onder verschillende werkomstandigheden met de volgende tijdsverdeling : 1/2 onbelaste loop, 1/2 belaste loop.

*Verklaren onder eigen verantwoordelijkheid dat het product, grastrimmer model.

MODEL	TED-270PFDH	TED-270PFDLS
		
Motorinhoud (ml)	26.9 (1.64 cu. in.)	←
		
Bougie	Champion CJ-8 of soortgelijk	←
		
Capaciteit brandstoftank (l).....	0.67 (22.8 fl. oz)	←
		
Droog gewicht (kg).....	6.6	6.6
		
Boorhouderopnamecapaciteit (mm).....	12.7(1/2 in)	←
Diameter van de aandrijfas.....	1/2"-20 UNF	←
		
Max. grootte v.h. het boorstuk.....	25.4 (1 in)	←
(mm) (hout)		
Links-/rechtsdraaiend schakelaar.....		
Vergrendelingsschakelaar.....		
		
Geluidsdrukniveau	LpA	
(db(A)) (EN 27917)	94.0	94.1
		
Geluidsvermogen niveau	LwA	
(db(A))	104	104
		
Vibratie niveau (m/s ²) (ISO 7916)		
Voorste handgreep	7.81	Right 6.50
Achterste handgreep	5.66	Left 6.76

ATTENTIE : Equivalent geluid niveau/vibratie niveau werd berekend zoals de tijdgewogen totale energie voor geluid/vibratie niveau's, onder verschillende werkomstandigheden met de volgende tijdsverdeling : 1/2 onbelaste loop, 1/2 belaste loop.
*Verklaren onder eigen verantwoordelijkheid dat het product, grastrimmer model.

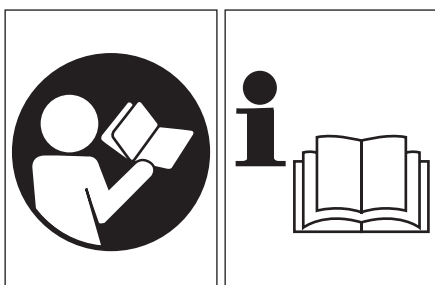
Tanaka®

TED-270PFL/PFLS

TED-270PFR/PFRS

TED-270PFHS/PFDH

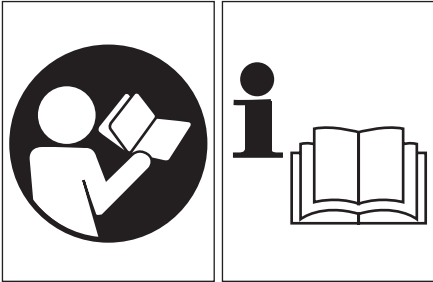
TED-270PFDLS



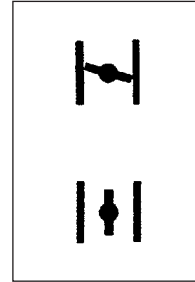
Leia o manual atentamente antes de operar esta máquina.

ADVERTÊNCIA

Os gases de escape deste produto contêm substâncias químicas que no Estado da Califórnia foram identificadas como causa de cancro, defeitos de nascimento e outros efeitos negativos no âmbito da reprodução.



É importante que leia, compreenda integralmente e respeite os seguintes avisos e advertências de segurança. A utilização do aparelho de forma incorrecta ou sem os cuidados necessários pode causar lesões graves ou atéfatais.



Descreve a posição do ar. O símbolo superior indica que o ar está fechado, e o inferior, que está totalmente aberto.



Os avisos e instruções do presente manual e no aparelho devem ser lidos, compreendidos e respeitados.



Não tocar no berbequim quando o motor está em marcha.



Utilize sempre protecções dos olhos, da cabeça e dos ouvidos.

Antes de usar o seu aparelho

- Leia o manual de instruções com atenção.
- Verifique se o grupo de corte está correctamente montado e ajustado.
- Arranque o aparelho e verifique a afinação do carburador. Ver secção "Manutenção"

Declaration of conformity

Nós, a Nikko Tanaka Engineering Co., Ltd., 3-4-29 Tsudanuma, Narashino, Chiba, Japão

Declaramos para os devidos efeitos que o produto, berbequim motorizado,

TED-270PFL/PFLS
TED-270PFR/PFRS
TED-270PFHS/PFDH
TED-270PFDLS

a que refere esta declaração, cumpre os principais requisitos de segurança das Directivas

98/37/CE, 89/336/CEE, 2000/14/CE

As seguintes normas harmonizadas foram aplicadas ISO 3864 (EN ISO 1200-1/2)

Produzido em: Chiba, Japão no dia 01/01/2008

Assinatura:



Yoshio Osada

Número de série a partir de E001001

Cargo: Diretor

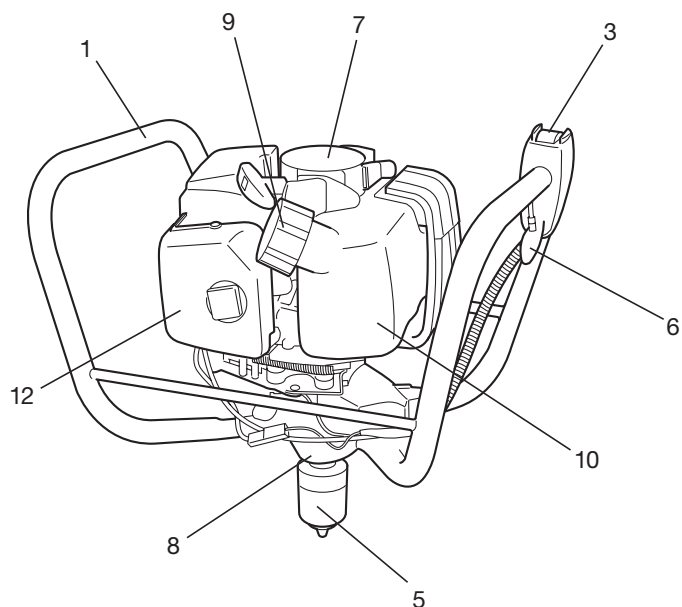
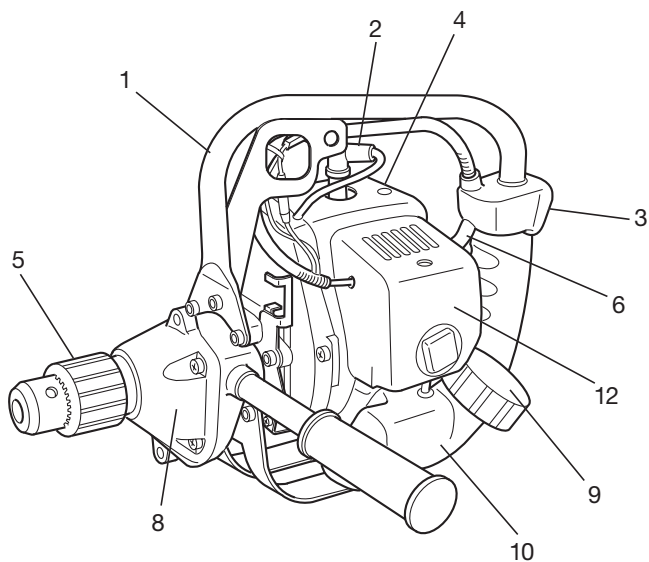
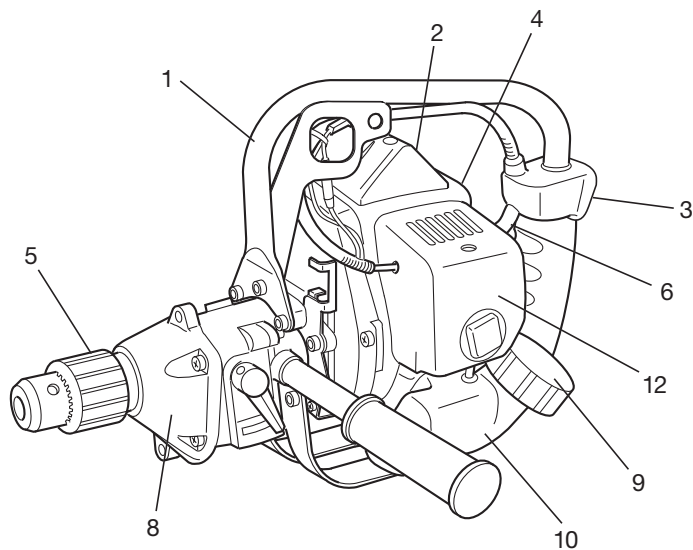
Índice

Os componentes da sua serra	4
Advertências e avisos de segurança	5
Montagem	6
Operação	6
Manutenção	10
Dados técnicos	12

1. Os componentes da sua serra

Uma vez que o presente manual de instruções abrange diferentes modelos de serras podem existir diferenças entre as imagens mostradas e o seu aparelho. Utilize as instruções que referem ao seu

1. Pega
2. Tampa da vela
3. Interruptor de ignição
4. Silenciador
5. Porta-brocas
6. Gatilho do acelerador
7. Arranque de cabo
8. Caixa de transmissão
9. Tampa do depósito de combustível
10. Depósito de combustível
11. Alavanca de mudança
12. Filtro de ar
13. Olhal +para correia



2. Advertências e avisos de segurança

Segurança do operador

Utilize sempre uma viseira ou óculos protetores.

Use sempre calças pesadas e compridas, botas e luvas. Não utilize roupas folgadas, jóias e bijuteria, calções curtos, sandálias e nunca trabalhe descalço. Prenda o cabelo para este não cair para além dos ombros. Não utilize este aparelho quando está cansado ou sob efeitos de álcool, drogas e medicamentos.

Nunca deixe as crianças ou pessoas sem experiência operar este aparelho! Utilize uma proteção dos ouvidos. Nunca arranque ou deixe o motor funcionar no interior de um quarto ou prédio. Os gases de escape podem matar.

Mantenha as pegadas livres de óleo e gasolina.

Mantenha as mãos afastadas do equipamento de furar.

Não agarre e levante a unidade no equipamento de furar.

Depois de desligar a máquina, assegure-se que a ferramenta de furar parou antes de pousar a unidade.

Durante trabalhos de maior duração prever intervalos de descanso, para prevenir danos corporais causados, por exemplo, pela vibração (fenómeno Raynaud / "White Finger Disease").

Segurança do aparelho

Inspeccione a unidade/ o aparelho inteiro antes de cada uso. Substitua partes danificadas. Verifique se existem fugas de combustível e assegure-se que todos os parafusos e porcas estão correctamente instalados e apertados.

Substitua sempre todas as partes partidas, lascadas ou danificadas antes de usar esta unidade/ aparelho.

Mantenha terceiros afastados durante a afinação do carburador.

Use exclusivamente os acessórios recomendados pelo fabricante para esta unidade/ aparelho.

ADVERTÊNCIA!

Não modifique a unidade/ o aparelho. Não utilize o aparelho de perfuração para qualquer outro trabalho que aqueles para os quais foi desenvolvido.

- Misture e esvazie o combustível sempre no exterior, num sítio onde não haja faíscas ou chamas.
- Utilize apenas recipientes homologados para o transporte de combustível.
- Não fume e proíba fumar na proximidade do combustível ou da unidade/ aparelho e, também, durante o trabalho com a unidade/ o aparelho.
- Limpe todas as manchas de combustível derramado antes de arrancar o motor. Afaste-se, pelo menos, 3m do local onde meteu a gasolina.
- Desligue o motor antes de remover o tampão do depósito.
- Esvazie o depósito de gasolina antes de arrumar a unidade/ o aparelho. ... aconselhável esvaziar o depósito depois de cada uso. Em caso de deixar combustível no depósito, guarde o aparelho de maneira que possa haver derrames.

- Guarde a unidade / o aparelho num local onde os vapores da gasolina não podem entrar em contacto com faíscas ou chamas abertas de aquecedores de água, motores ou dispositivos eléctricos, fornos etc.

ADVERTÊNCIA!

Sistemas anti- vibratórios não garantem que não sofra do síndrome de mãos insensíveis e do síndrome do túnel carpiano. Por esta razão, os utilizadores frequentes devem estar sempre atentos ao estado das suas mãos e dedos. Se detectar um dos acima mencionados sintomas, consulte de imediato o seu médico.

Segurança durante o furar

- Não fure qualquer outro material do que aquelas para os quais a máquina foi desenvolvida.
- Inspeccione a área a furar antes de cada utilização. Remova objectos que possam ser projectados ou ficar enredados.
- Para protecção das vias respiratórias quando usar a máquina depois de uma aplicação de insecticidas, utilize uma máscara de protecção contra aerossóis.
- Mantenha terceiros, incluindo crianças, animais, observadores e ajudantes a 5 m de distância da zona de perigo. Pare o motor imediatamente se alguém se aproximar.
- Segure a unidade/a máquina firmemente com ambas as mãos.
- Mantenha o equilíbrio e um andar firme. Não exceda o seu raio de alcance.
- Mantenha todas as partes do seu corpo afastadas do silenciador e da ferramenta de furar quando o motor estiver em marcha.

Segurança durante a manutenção

- Faça a manutenção da unidade/ do aparelho de acordo com os procedimentos recomendados.
- Desligue a vela de ignição antes de começar a manutenção, excepto se tiver que afinar o carburador.
- Mantenha terceiros afastados durante a afinação do carburador.
- Use apenas peças sobressalentes genuínas da Tanaka, tal como recomendado pelo fabricante.

Transport en opslag

- Transporte a unidade / o aparelho com as mãos e o motor parado, mantendo o silenciador afastado do corpo.
- Deixe o motor arrefecer, esvazie o depósito de combustível, e segure a unidade / o aparelho antes de guardá-lo ou transportá-lo num veículo.
- Esvazie o depósito de combustível antes de guardar a unidade / o aparelho. Aconselha-se esvaziar o depósito de combustível depois de cada uso. Em caso de deixar combustível no depósito, guarde o aparelho de maneira que possa haver derrames.
- Guarde a unidade/ o aparelho fora do alcance das crianças.
- Limpe o aparelho e efectue as operações de manutenção cuidadosamente antes de arrumá-lo num local seco.
- Assegure-se que o botão de ignição esteja em posição desligado quando transportar ou guardar o aparelho.
- Durante o transporte num veículo, cubra o berbequim com uma tampa ou um cobertor grosso.

Em caso de ocorrência de situações não abordadas neste manual, seja cauteloso e actue com senso comum. Contacte o seu concessionário Tanaka quando precisa de assistência técnica. Preste especial atenção aos textos precedidos pelos seguintes termos:

ADVERTÊNCIA!

Alerta para uma forte probabilidade de sofrer danos corporais ou perder a vida em caso de desrespeito das instruções.

CUIDADO!

Alerta para a possibilidade de sofrer danos corporais ou materiais em caso de desrespeito das instruções.

ANOTAÇÃO!

Informações úteis para o funcionamento e uso correcto.

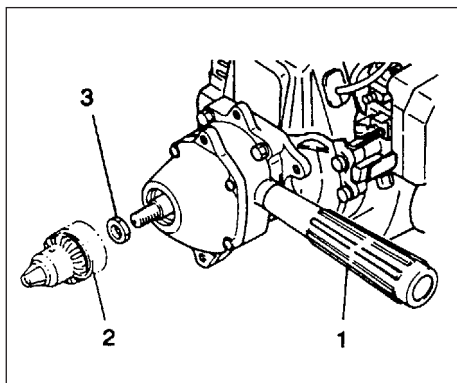


Fig.1-1

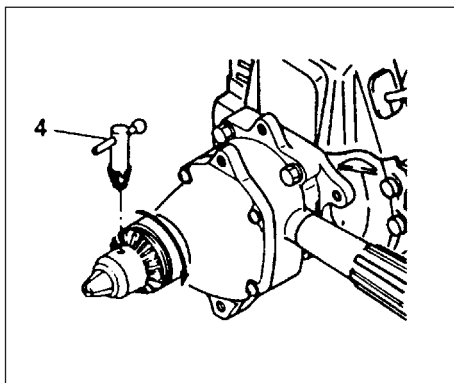


Fig.1-1B

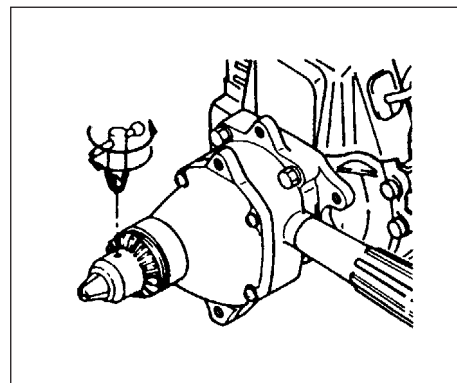


Fig.1-1C

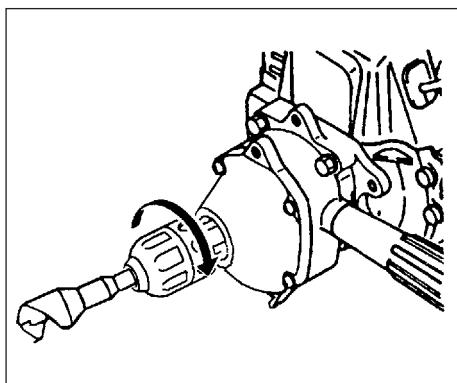


Fig.1-1D

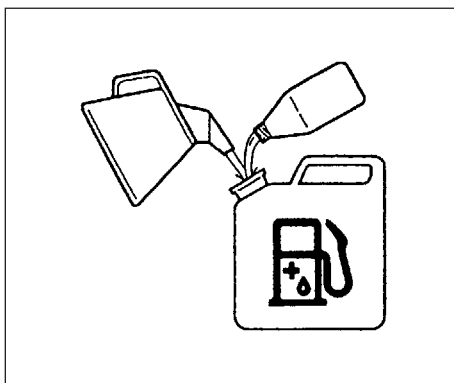


Fig.2-1

3. Montagem

Montagem (Fig. 1-1,1 B,1 C)

1. Monte o punho (1) que é fornecido juntamente com o equipamento à caixa de transmissão.
2. Enrosque o porta-brocas (2) (em sentido dos ponteiros do relógio) no eixo de transmissão depois de inserir o anel B (3). (não fornecido com todos os modelos)
3. Abra o porta-brocas com a chave de aperto (4). Insira a broca que tenciona usar e aperte o porta-brocas com a chave.

ANOTAÇÃO!

Se estiver montado o porta-brocas sem chave, solte o porta-brocas e insira a broca. Depois, aperte o porta-brocas rodando-o em sentido dos ponteiros do relógio, até ouvir o "clique" (Fig. 1-1 D)

Seleção da broca adequada

Escolha a broca em função do material que precisa furar.

4. Operação

Combustível (Fig. 2-1)

⚠ ADVERTÊNCIA!

O berbequim está equipado com um motor a dois tempos. Opere o motor sempre com gasolina misturada com óleo de 2T. Tenha a atenção de encher o depósito ou manusear com combustíveis somente em locais bem arejados.

Combustível

- Use sempre gasolina sem chumbo de 89 octanos.
- Use óleo genuíno para motores a 2 tempos, numa mistura de 25:1 a 50:1. Consulte as instruções do óleo ou o concessionário Tanaka para saber a relação de mistura exacta.
- No estado da Califórnia, a relação deve ser 50:1.
- Se não conseguir encontrar o óleo genuíno, use um óleo de qualidade com aditivos antioxidantes, que indique expressamente a sua compatibilidade com motores a 2 tempos refrigerados por ar. (ÓLEO GRAU JASO FC ou GRAU ISO EGC). Não utilize óleo misto BIA ou TCW (tipo refrigeração por água em 2 tempos).
- Nunca recorra a óleos multi-grau (10W130) ou a óleos usados.
- Misture a gasolina e o óleo sempre num recipiente limpo separado.

Começa sempre por introduzir a metade da gasolina que precisa. Acrescente depois a quantidade inteira do óleo. Misture (agite) a mistura de combustível. Adicione depois a quantidade remanescente de gasolina. Misture (agite) a mistura de combustível bem antes de introduzi-la no depósito do aparelho.

Encher o depósito

⚠ ADVERTÊNCIA!

- **Desligue sempre o motor antes de encher o depósito.**
- **Abra o depósito devagar antes de reabastecer, assim consegue fazer dissipar uma possível sobrepressão.**
- **Aperte o tampão do depósito cuidadosamente depois de abastecer.**
- **Afaste o aparelho pelo menos 3m (10 ft) da zona de abastecimento antes de arrancar o motor.**

Antes de abastecer com gasolina, limpe a zona do tampão do depósito com cuidado. Assim evita que a sujeira entre no depósito. Assegure-se que o combustível esteja bem misturado antes de abastecer, agitando o recipiente para isso.

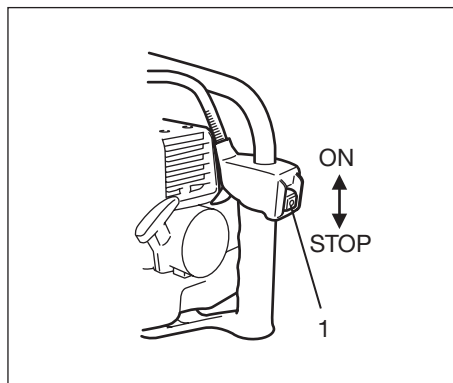
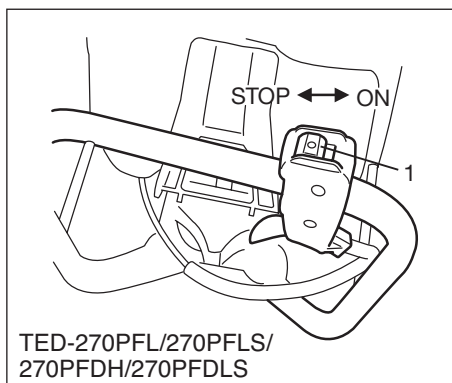


Fig. 2-2



TED-270PFL/270PFLS/
270PFDH/270PFDLS

Fig. 2-2B

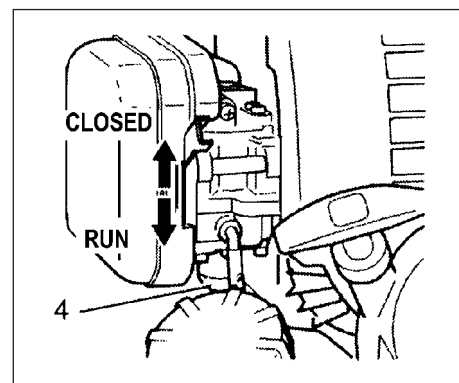


Fig. 2-3

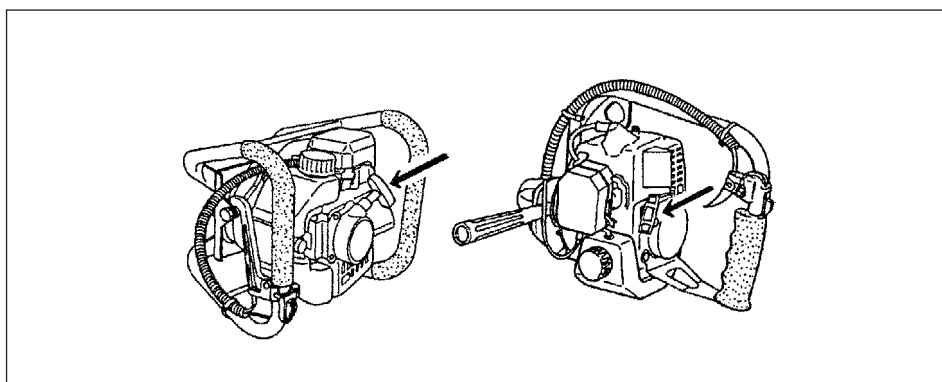


Fig. 2-4

Arrancar o motor

CUIDADO!

1. Coloque o botão da ignição (1) na posição ON. (Fig. 2-2, 2B)
*Pressione a bomba de enchimento (4) várias vezes, para que o combustível passe pelo reservatório ou tubo de retorno. (opção, não disponível em todos os modelos) (Fig. 2-3)
2. Coloque a alavanca do ar na posição CLOSED (fechado). (Fig. 2-3)
3. Puxe com força do cabo de arranque. Tenha o cuidado de manter o manípulo firmemente na mão e não deixá-lo voltar para trás. (Fig. 2-4)
4. Quando sentir que o motor está pronto para arrancar, volte a colocar a alavanca do ar na posição RUN (aberto). Volte a puxar então com força do cabo de arranque. (Fig. 2-3)

ANOTAÇÃO!

- !Se o motor não arrancar, repita os passos 2 a 4.
5. Depois de arrancar o motor, deixa-o funcionar sem sujeitá-lo a qualquer esforço durante cerca de 2-3 minutos para aquecê-

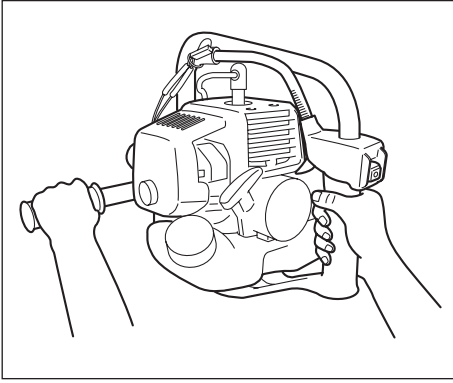


Fig. 2-5

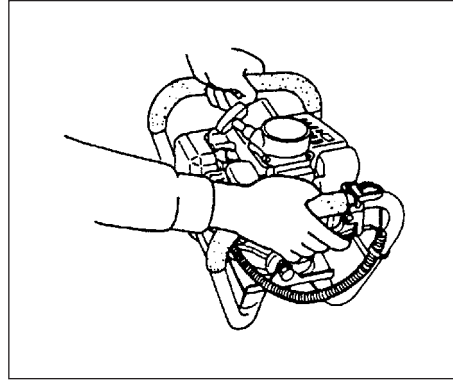


Fig. 2-5B

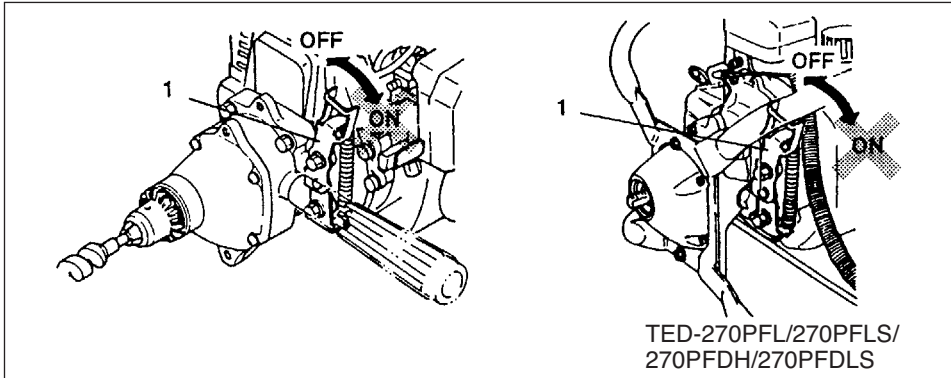


Fig. 2-5C

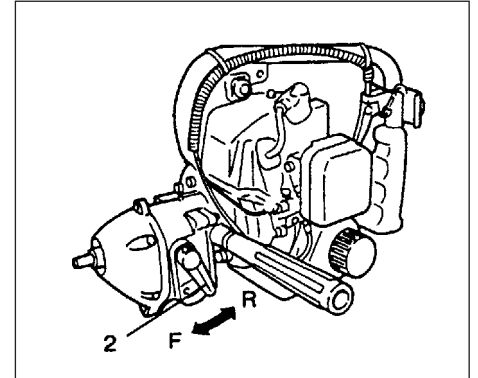


Fig. 2-5D

Furar (Fig. 2-5, 5B)

- Mantenha o aparelho sempre bem agarrado com as duas mãos nos punhos e permaneça numa posição estável.
- Trabalhe com o motor a alta velocidade e deixe a broca executar o furo. Não force a broca para entrar no furo.
- Se o material ficar enrolado na broca, pare o motor, deixe o aparelho arrefecer e remova o cabo da vela de ignição antes de proceder à limpeza da broca.
- Pare o motor e inspeccione o aparelho se sentir vibrações ou ruídos anormais.

Como usar o comando de travamento (nos modelos TED-270PFL/270PFLS/270PFDH/270PFDLS) (Fig. 2-5C)

ANOTAÇÃO!

Sempre pare o motor antes de usar o comando de travamento.

- Quando a broca ficou encravada no objecto, pare o motor e actue na alavanca de travamento (1).
- Gire a unidade inteira contra o sentido dos ponteiros do relógio para poder removê-la facilmente do furo.
- Se não conseguir mover a unidade, gire-a primeira em sentido, e depois contra o sentido dos ponteiros do relógio.

Como usar o comando de inversão (nos modelos TED-270PFR/270PFRS) (Fig. 2-5D)

- Reduza a velocidade do motor até ralenti e coloque a alavanca de mudança (2) na posição R (inversão). Acelere depois para remover a unidade do furo.
- Não é possível actuar na alavanca se o motor não estiver em marcha. Se isto for o caso, gire o porta-brocas ligeiramente com a mão.
* A principal função do comando de travamento e do comando de inversão é a fácil remoção da broca.

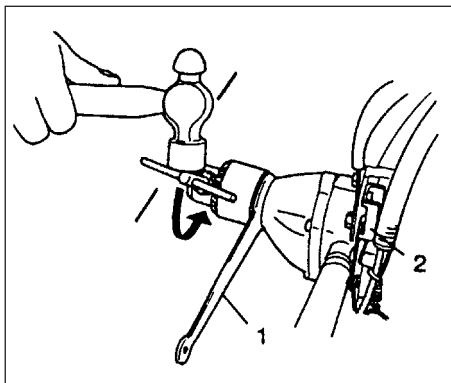


Fig. 2-6

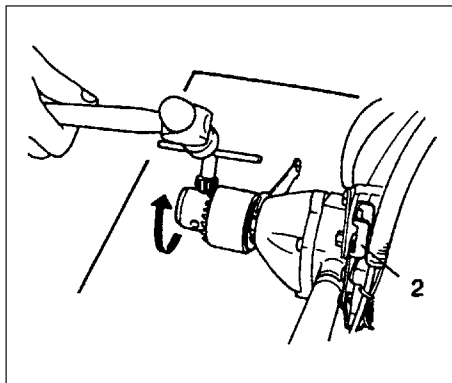


Fig. 2-6B

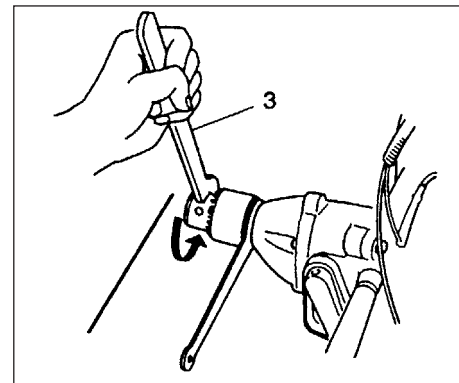


Fig. 2-7

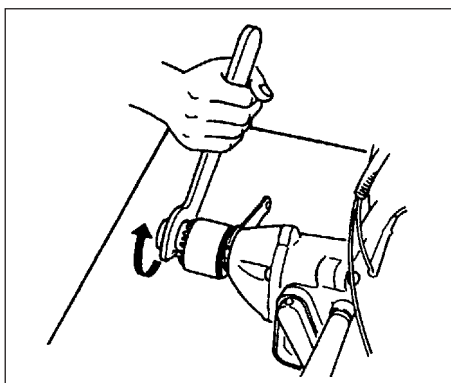


Fig. 2-7B

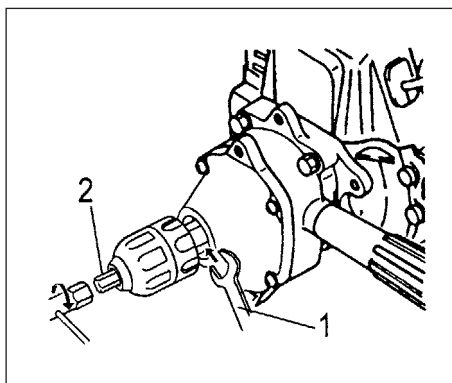


Fig. 2-7C

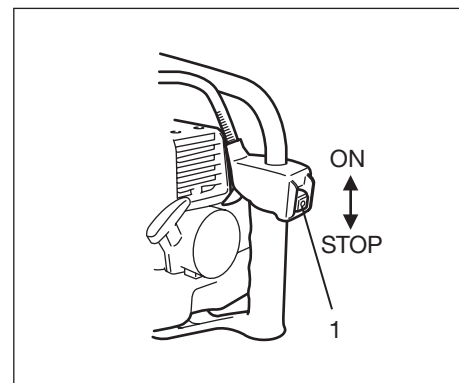


Fig. 2-8

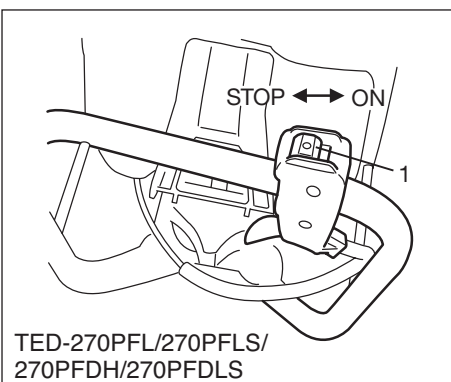


Fig. 2-8B

• Para apertar o porta-brocas com mais segurança, coloque uma chave de 19mm (1) entre a caixa de transmissão e o porta-brocas para travar o eixo de accionamento. Actue na alavanca de travamento (2) e depois bata a chave com o martelo para enroscar (em sentido dos ponteiros do relógio) o porta-brocas. (TED-270PFL/270PFLS/270PFDH/270PFDLS/270PFHS) (Fig. 2-6)

• Para soltar o porta-brocas, coloque o tensor do outro lado e bata a chave deste lado para desenroscá-lo (contra sentido dos ponteiros do relógio). A alavanca de travamento está accionada. (TED-270PFL/270PFLS/270PFDH/270PFDLS/270PFHS) (Fig. 2-6B)

• ANOTAÇÃO! use uma chave montada no porta-brocas (3) em vez da chave de aperto do porta-brocas, apertando e desapertando sem recurso a batidelas. Não bata na chave montada no porta-brocas. (Fig. 2-7, 7B)

• Para apertar ou desapertar o porta-brocas sem chave, coloque uma chave de 19mm (1) entre a caixa de transmissão e o porta-brocas para travar o eixo de accionamento. Instale a barra de travamento (2) no porta-brocas, e depois aperte (em sentido do ponteiro do relógio) ou desaperte (contra o sentido dos ponteiros do relógio) a barra (2) com a chave juntamente fornecida. (Fig.2-7C)

Desligar o motor (Fig. 2-8, 8B)

• Reduza a velocidade do motor e ponha o botão da ignição na posição desligado.

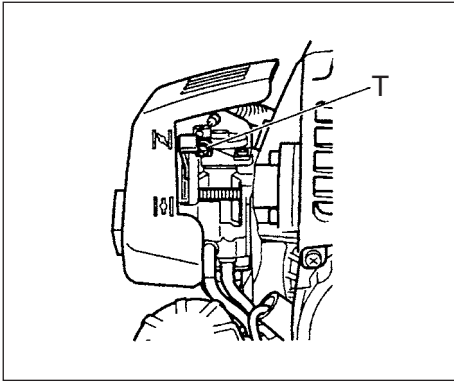


Fig. 3-1

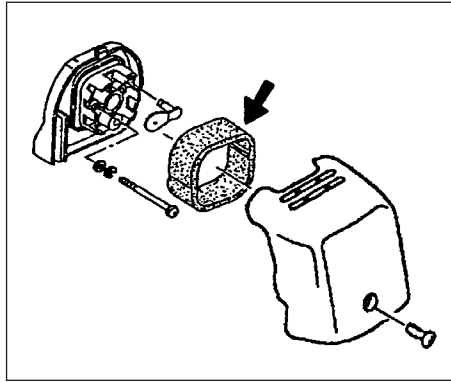


Fig. 3-2

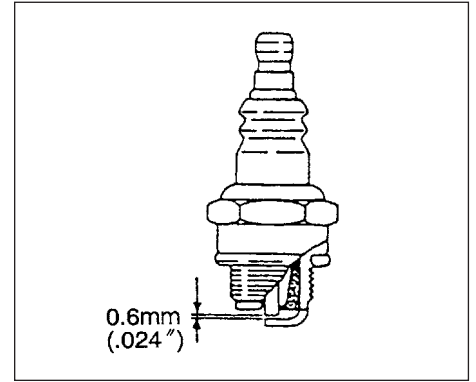


Fig. 3-3

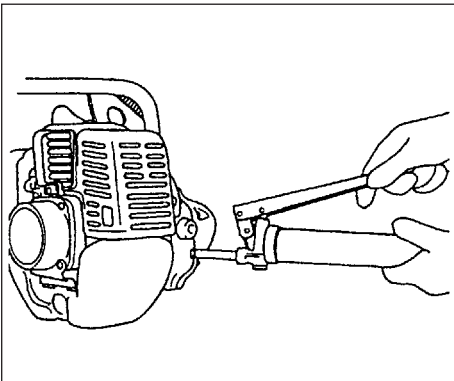


Fig. 3-4

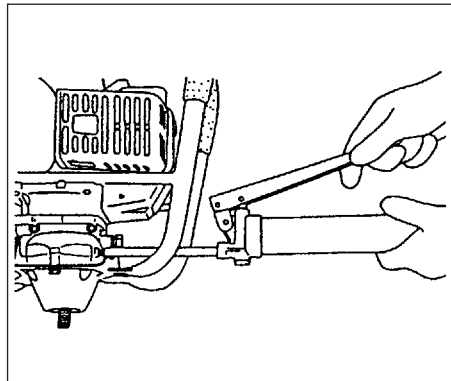


Fig. 3-4B

5. Manutenção

A MANUTENÇÃO, SUBSTITUÇÃO OU REPARAÇÃO DOS DISPOSITIVOS E O SISTEMA DE CONTROLO DE EMISSÕES DEVEM SER EFECTUADOS POR UMA OFICINA OU TÉCNICO DE SERVIÇO DE MOTORES NÃO RODOVIÁRIOS.

Afinação do carburador (Fig. 3-1)

⚠ ADVERTÊNCIA!

O berbequim pode girar durante o ajuste do carburador.

⚠ ADVERTÊNCIA!

Nunca arranque o motor sem que o revestimento completo da embraiagem e a caixa da transmissão estejam montados! Caso contrário, a embraiagem pode soltar-se causar danos corporais.

No carburador, o combustível é misturado com ar. Durante os ensaios de fábrica do motor, o ajuste base do carburador é efectuado. Mais ajustes podem ser necessários em função do clima e da altitude. O carburador tem apenas uma possibilidade de ajuste:

T = Parafuso de ajuste de ralenti

Ajuste da velocidade de ralenti (T)

Verifique se o filtro de ar está limpo. Se a velocidade de ralenti estiver correcta, o berbequim não gira. Se for preciso algum ajuste, feche (em sentido dos ponteiros do relógio) o parafuso T, com o motor funcionar, até o berbequim começar a girar. Abra (contra sentido dos ponteiros do relógio) o parafuso até o berbequim parar. Encontrou a velocidade de ralenti correcta quando o motor funciona suavemente em todas as posições abaixo das rpm quando o berbequim começa a girar. Se a ponta continuar a rodar depois de ajustar a velocidade de ralenti, entre em contacto com o seu concessionário Tanaka.

⚠ ADVERTÊNCIA!

Quando o motor estiver em ralenti, o berbequim de maneira nenhuma pode girar.

Filtro de ar (Fig. 3-2)

O filtro de ar (1) deve ser limpo de poeira e sujidade para evitar:

- Falhas do carburador.
 - Problemas de arranque.
 - Redução da potência do motor.
 - Desgaste desnecessário das peças do motor.
 - Consumo de combustível anormalmente alto.
- Limpe o filtro de ar diariamente ou com ainda maior frequência quando trabalhar em zonas poeirentas.

Limpeza do filtro de ar

Remova a tampa do filtro de ar e o filtro. Lave-os em água de sabão morna. Verifique que o filtro está seco antes de montá-lo novamente. Um filtro de ar em uso durante algum tempo nunca poderá ser limpo totalmente. Por isso deve ser substituído periodicamente por um novo. Um filtro danificado deve ser substituído sempre.

ANOTAÇÃO!

Sature o elemento em óleo 2T ou equivalente. Esprema o elemento para distribuir o óleo totalmente e para remover óleo em excesso.

Vela de ignição (Fig. 3-3)

O estado da vela é influenciado por:

- Ajustes incorrectos do carburador.
- Mistura de combustível errada (demasiado óleo)
- Filtro de ar sujo.
- Condições de operação duras (i.e. tempo frio).

Estes factores provocam depósitos nos eléctrodos da vela que depois resultam em falhas de funcionamento e dificuldades de arranque. Se o motor tiver um rendimento fraco, arrancar com dificuldades ou trabalhar a soluços em ralenti, controle em primeiro lugar a vela de ignição. Se a vela estiver suja, limpe-a e verifique a folga entre os eléctrodos. Ajuste a folga se necessário. A folga correcta é 0,6 mm. A vela de ignição deve ser substituída após aprox. 100 horas de operação, ou mais cedo se os eléctrodos estiverem muito corroídos.

ANOTAÇÃO!

Nalgumas regiões a lei exige o uso de uma vela de resistores para impedir a emissão de ruído electromagnético. Se o seu aparelho foi fornecido com uma vela de resistores, utilize o mesmo tipo de vela para substituí-la.

Caixa de transmissão (Fig. 3-4, 4B)

Aplique massa consistente com base de lítio de boa qualidade nos bocais de lubrificação. A lubrificação deve ser efectuada em intervalos de 50 horas e com mais frequência em caso de uso intensivo.

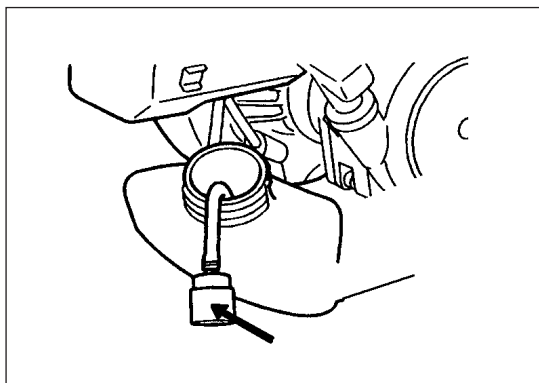


Fig. 3-5

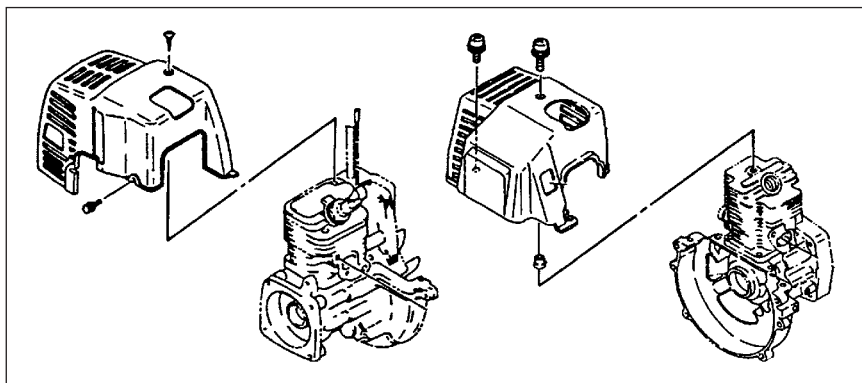


Fig. 3-6

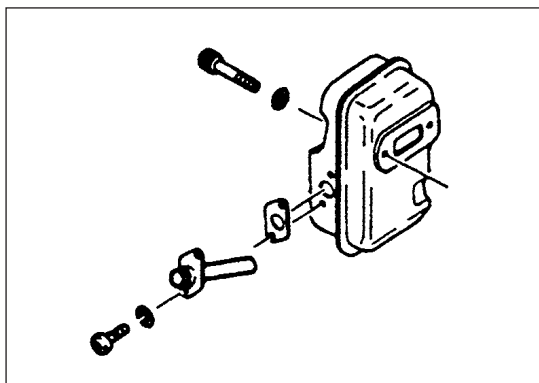


Fig. 3-7

Filtro de gasolina (Fig. 3-5)

Remova o filtro de gasolina do depósito de combustível e lave-o profundamente em solvente. Depois disso, prima o filtro completamente para dentro do depósito.

ANOTAÇÃO!

Se o filtro estiver muito duro por causa do pó e da sujidade, substitua-o.

Limpar as abas do cilindro (Fig. 3-6)

Quando pedaços de madeira ficam presos entre as abas do cilindro o motor pode sobreaquecer e perder rendimento. Para evitar isso mantenha as abas do cilindro e o cárter da ventoinha sempre limpas.

Após cada 100 horas de operação, ou uma vez por ano (ou ainda com maior frequência se as condições de operação o requerem), limpe as aletas e as superfícies exteriores do motor de poeira, sujidade e depósitos de óleo que podem contribuir para uma refrigeração menos eficaz.

Limpeza do silenciador (Fig. 3-7)

Desmonte o silenciador (1) e o absorvedor de faíscas (se o aparelho estiver equipado com um), e limpe após cada 100 horas de operação o excesso de carvão na abertura de escape e no silenciador.

Armazenamento de longa duração

Esvazie todo o combustível do depósito. Arranque o motor e deixe-o trabalhar até parar. Repare todos os danos que foram causados durante a operação. Limpe o aparelho com um pano limpo ou ar comprimido. Meta, através do furo da vela de ignição, algumas gotas de óleo 2T no cilindro, e faça rodar o motor várias vezes para distribuir o óleo. Cubra o aparelho e guarde-o num local seco.

Plano de manutenção

Mais abaixo vai encontrar algumas instruções gerais de manutenção. Se precisar de mais informações contacte por favor o seu concessionário Tanaka.

Manutenção diária

- Limpar a parte exterior do aparador de sebes.
- Verifique a centragem correcta da ferramenta de furar, a afiação correcta e o estado sem fissuras. Um berbequim não centrado provoca fortes vibrações e pode danificar a unidade.
- Controle o aperto suficiente da ferramenta de furar.
- Controlar o aperto suficiente de todos os parafusos e porcas.





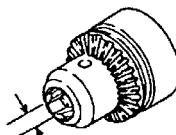
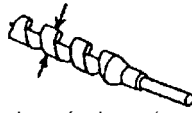


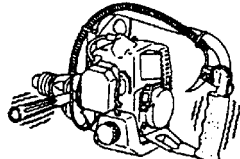
Manutenção semanal

- Controlar o arranque de cabo, em particular o cabo e a mola de retorno.
- Limpar a parte exterior da vela de ignição.
- Desmontar a vela de ignição e controlar a folga entre os eléctrodos. Ajustar, se necessário, a 0,6 mm ou substituir a vela.
- Limpar as aletas de refrigeração do cilindro e verificar se a admissão de ar no arranque de recuo não está obstruído.
- Controle o estado de lubrificação da engrenagem em ângulo: Enchimento até 3/4.
- Limpar o filtro de ar.





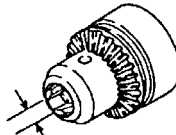



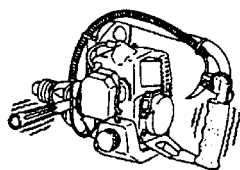
Manutenção mensal

- Lavar o depósito de combustível com gasolina e limpar o filtro de gasolina.
- Limpar o carburador e as partes envolventes por fora.
- Limpar a ventoinha e as partes envolventes.

6. Dados técnicos

MODEL	TED-270PFL/ TED-270PFLS	TED-270PFR/ TED-270PFRS	TED-270PFHS
 Cilindrada (ml)	26.9 (1.64 cu. in.)	←	←
 Vela de ignição	Champion CJ-8 ou equivalente	←	←
 Capacidade do depósito de combustível (l)	0.67 (22.8 fl. oz)	←	←
 Peso em seco (kg).....	5.1 (11.2 lbs)	5.6 (12.3 lbs)	5.0 (11.0 lbs)
 Capacidade do porta-brocas (mm).....	12.7 (1/2 in)	←	←
Diâmetro do eixo de accionamento.....	1/2"-20 UNF	←	←
 Tamanho máx. broca(mm).....	25.4 (1 in) (madeira)	←	←
Comando de inversão.....			
Comando de travamento.....			
 Nível de pressão acústica (dB(A))....LpA (EN27917)	95.1	95.1	95.1
 Nível de potência acústica (dB(A)) ...LwA	116	116	116
 Nível de vibrações (m/s ²) (ISO 7916)			
Pega frontal	7.1	7.1	7.1
Pega traseira	7.2	7.2	7.2

ANOTAÇÃO! : Os níveis de ruído/ vibrações equivalentes foram calculados com base numa média de energia ponderada por duração dos níveis de ruído/vibrações em diferentes condições de trabalho, com a seguinte distribuição do tempo: 1/2 ralenti, 1/2 aceleração.
*Declaramos para os devidos efeitos que o produto, aparador de sebes, modelo.

MODEL	TED-270PFDH	TED-270PFDLS
		
Cilindrada (ml)	26.9 (1.64 cu. in.)	←
		
Vela de ignição	Champion CJ-8 ou equivalente	←
		
Capacidade do depósito de combustível (l)	0.67 (22.8 fl. oz)	←
		
Peso em seco (kg).....	6.6	6.6
		
Capacidade do porta-brocas (mm).....	12.7(1/2 in)	←
Díâmetro do eixo de accionamento.....	1/2"-20 UNF	←
		
Tamanho máx. broca(mm).....	25.4 (1 in)	←
Comando de inversão.....		
Comando de travamento.....		
		
Nível de pressão acústica (dB(A))..... LpA (EN 27917)	94.0	94.1
		
Nível de potência acústica (dB(A)) ... LwA	104	104
		
Nível de vibrações (m/s ²) (ISO 7916)		
Pega frontal	7.81	Right 6.50
Pega traseira	5.66	Left 6.76

ANOTAÇÃO! : Os níveis de ruído/ vibrações equivalentes foram calculados com base numa média de energia ponderada por duração dos níveis de ruído/vibrações em diferentes condições de trabalho, com a seguinte distribuição do tempo: 1/2 ralenti, 1/2 aceleração.

*Declaramos para os devidos efeitos que o produto, aparador de sebes, modelo.



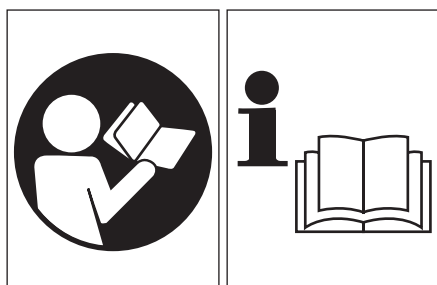
Tanaka®

TED-270PFL/PFLS

TED-270PFR/PFRS

TED-270PFHS/PFDH

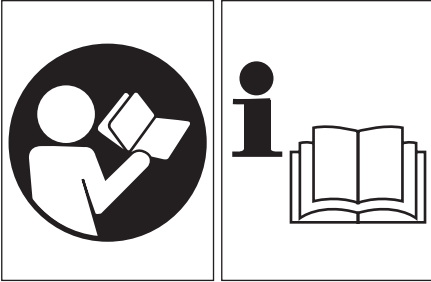
TED-270PFDLS



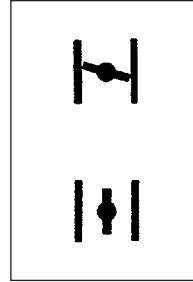
Διαβάστε προσεκτικά το
εγχειρίδιο πριν χειριστείτε
αυτό το μηχάνημα.

⚠ ΠΡΟΕΙΔΟΠΟΙΗΣΗ

Η εξάτμιση του κινητήρα αυτού του προϊόντος περιέχει χημικά στοιχεία τα οποία είναι γνωστά στην Πολιτεία της Καλιφόρνιας ότι προκαλούν καρκίνο, ανωμαλίες στη γέννηση και άλλες βλάβες στην αναπαραγωγή.



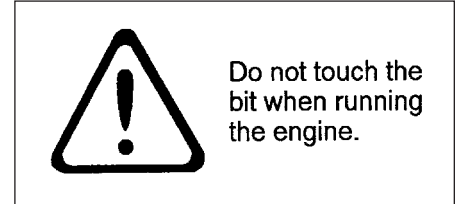
Είναι σημαντικό να διαβάσετε, να κατανοήσετε πλήρως και να ακολουθήσετε τα παρακάτω μέτρα προστασίας και τις προειδοποιήσεις. Η απρόσεκτη ή η ακατάλληλη χρήση της συσκευής μπορεί να προκαλέσει σοβαρό ή θανάσιμο τραυματισμό.



Επεξηγεί τη θέση του τσοκ. Η πάνω ένδειξη δείχνει το τσοκ κλειστό και η κάτω πλήρως ανοικτό. Επεξηγεί τη θέση του τσοκ. Η πάνω ένδειξη δείχνει το τσοκ κλειστό και η κάτω πλήρως ανοικτό.



Διαβάστε, κατανοήστε και ακολουθήστε όλες τις προειδοποιήσεις και τις οδηγίες που βρίσκονται μέσα σε αυτόν τον οδηγό και πάνω στη συσκευή.



Μην αγγίζετε το τρυπάνι με το κινητήρα σε λειτουργία.



Πάντοτε να φοράτε προστατευτικά ματιών, κεφαλιού και αυτών κατά την χρήση αυτής της συσκευής.

Πριν τη χρήση του μηχανήματός σας

- Διαβάστε τον οδηγό προσεκτικά.
- Ελέγξτε ότι η συσκευή κοπής έχει σωστά συναρμολογηθεί και ρυθμιστεί.
- Ξεκινήστε τη συσκευή και ελέγξτε τη ρύθμιση του καρμπιρατέρ. Δείτε το "Συντήρηση".

Δηλώση συμβατότητας

Η Nikko Tanaka Engineering Co., Ltd., 3-4-29 Tsudanuma, Narashino, Chiba, Japan

Δηλώνεται με απόλυτη ευθύνη ότι το προϊόν, μηχανοκίνητο τρυπάνι

TED-270PFL/PFLS
TED-270PFR/PFRS
TED-270PFHS/PFDH
TED-270PFDLS

στο οποίο αναφέρεται η παρούσα δήλωση είναι εναρμονισμένο με τις βασικές απαιτήσεις ασφάλειας των κανονισμών.

98/37/EC, 89/336/EEC, 2000/14/EC

Τα παρακάτω πρότυπα έχουν ληφθεί υπόψη. ISO 3864 (EN ISO 1200-1/2)

Κατασκευασμένο στη: Τσίμπα, Ιαπωνίας στις 01/01/2008

Υπογραφή:


Yoshio Osada

Αρ. Σειράς μέχρι από E001001

Θέση: Διευθυντής

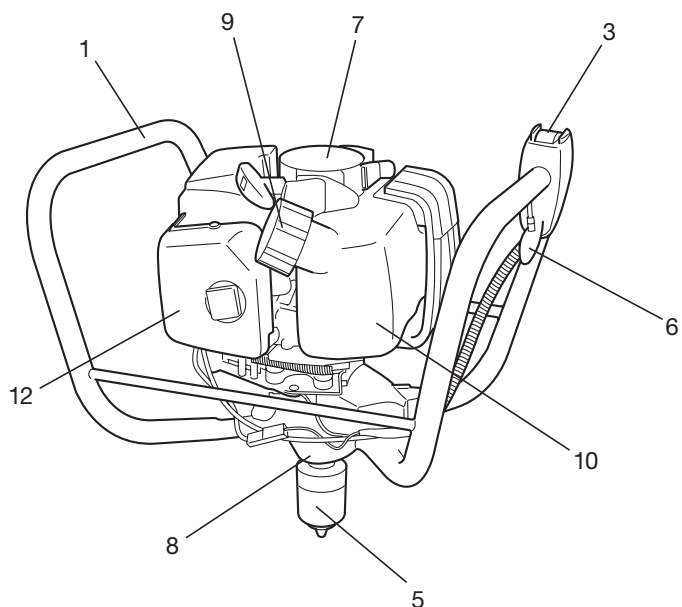
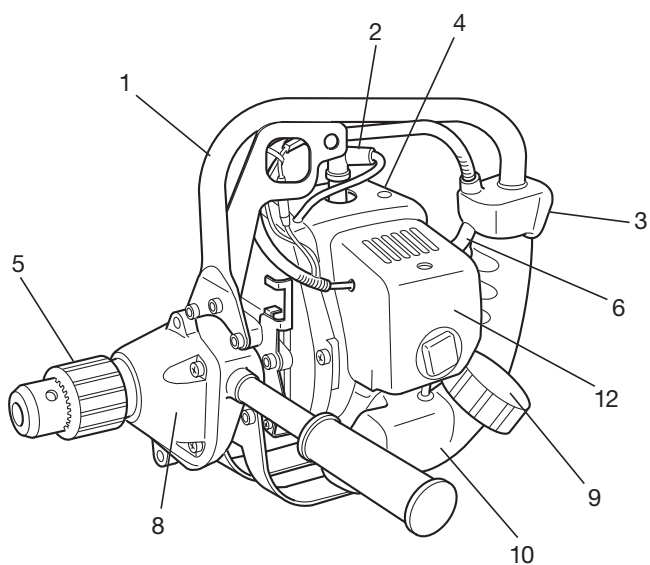
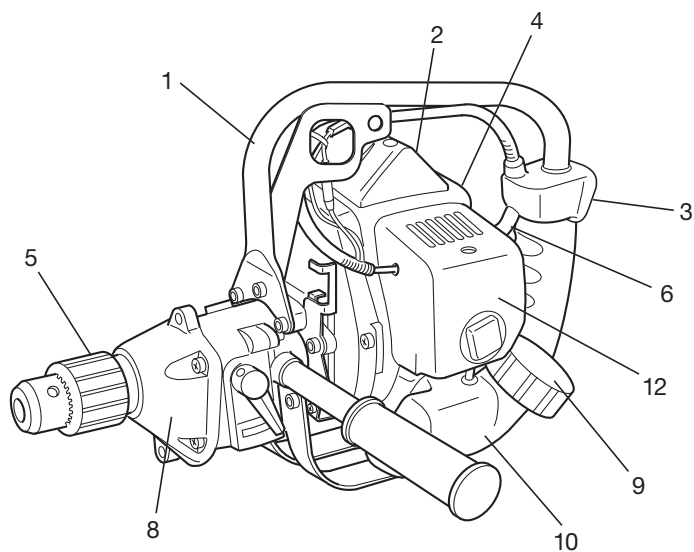
Ευρετήριο

Τί είναι τί? _____	4
Προειδοποιήσεις και οδηγίες ασφαλείας _____	5
Διαδικασίες συναρμολόγησης _____	6
Διαδικασίες λειτουργίας _____	6
Συντήρηση _____	10
Τεχνικά χαρακτηριστικά _____	12

1. Τι είναι τι

Επειδή αυτός ο οδηγός καλύπτει αρκετά μοντέλα, μπορεί να υπάρχουν ορισμένες διαφορές ανάμεσα στις εικόνες και στη συσκευή σας. Χρησιμοποιείστε τις οδηγίες που αφορούν τη συσκευή σας.

1. Λαβή
2. Καπάκι βύσματος
3. Διακόπτης ανάφλεξης
4. Σιγαστήρας
5. Μονάδα σφικτήρα
6. Σκανδάλη γκαζιού
7. Εκκινητήρας ανατύλιξης
8. Κιβώτιο ταχυτήτων
9. Καπάκι καυσίμου
10. Δοχείο καυσίμου
11. Μοχλός αλλαγής
12. Φίλτρο αέρα
13. Τρύπα για ιμάντα



2. Προειδοποιήσεις και οδηγίες ασφαλείας

Ασφάλεια χρήστη

- Πάντοτε να φοράτε μια προστατευτική προσωπίδα ή προστατευτικά γυαλιά.
- Πάντοτε να φοράτε ανθεκτικά, μακριά παντελόνια, μπότες και γάντια. Μην φοράτε χαλαρά ρούχα, κοσμήματα, κοντά παντελόνια, σανδάλια ή να είστε χωρίς υποδήματα. Φτιάξτε τα μαλλιά σας έτσι ώστε να βρίσκονται πάνω από τον ώμο σας.
- Μην κάνετε χρήση αυτού του εργαλείου όταν είσατε κουρασμένοι, άρρωστοι ή κάτω από την επίδραση του αλκοόλ, φαρμακευτικών ουσιών ή θεραπείας.
- Ποτέ μην επιτρέψετε σε ένα παιδί ή ένα άτομο χωρίς εμπειρία να χειριστεί αυτό το μηχάνημα.
- Φοράτε προστατευτικά ακοής.
- Ποτέ να μην ξεκινήσετε ή να λειτουργήσετε το κινητήρα μέσα σε ένα κλειστό δωμάτιο ή κτίριο. Η εισπνοή των καυσαερίων της εξάτμισης μπορεί να επιφέρει το θάνατο.
- Διατηρήστε τις λαβές καθαρές από λάδι και καύσιμο.
- Κρατήστε τα χέρια μακριά από το εξάρτημα διάτρησης.
- Μην αρπάξετε ή κρατήσετε τη συσκευή από το εξάρτημα διάτρησης.
- Κατά το κλείσιμο της συσκευής, σιγουρευτείτε ότι το εξάρτημα διάτρησης έχει σταματήσει πριν τοποθετηθεί η συσκευή κάτω.
- Κατά την παρατεταμένη λειτουργία, κατά διαστήματα κάνετε ένα διάλειμμα έτσι ώστε να αποφύγετε την πιθανή ασθένεια του άσπρου δακτύλου που προκαλείται από τη δόνηση.

Ασφάλεια συσκευής / μηχανήματος

- Ελέγξτε όλη τη συσκευή/μηχάνημα πριν από την κάθε χρήση. Αντικαταστήστε τα εξαρτήματα που έχουν πάθει ζημιά. Ελέγξτε τις διαρροές καυσίμου και σιγουρευτείτε ότι όλοι οι σύνδεσμοι βρίσκονται στη θέση τους και είναι ασφαλώς σφιγμένοι.
- Αντικαταστήστε τα εξαρτήματα που παρουσιάζουν τις οποιαδήποτε ρωγμές, απολέπιση ή έχουν πάθει ζημιά κατά τον οποιονδήποτε τρόπο ζημιά πριν τη χρήση της συσκευής/μηχανήματος.
- Κρατήστε τα άλλα άτομα μακριά όταν κάνετε ρυθμίσεις στο καρμπρατέρ.
- Χρησιμοποιείτε μόνο ανταλλακτικά που συστήνονται για αυτή τη συσκευή/μηχάνημα από τον κατασκευαστή.

⚠ ΠΡΟΕΙΔΟΠΟΙΗΣΗ!

Ποτέ να μην τροποποιήσετε τη συσκευή/μηχάνημα κατά οποιονδήποτε τρόπο. Ποτέ να μην χρησιμοποιήσετε το τρυπάνι για άλλη δουλειά εκτός από αυτή για την οποία προορίζεται.

Ασφάλεια καυσίμου

- Ανακατεύετε και ρίχνετε το καύσιμο σε εξωτερικό χώρο και όπου δεν υπάρχουν σπίθες ή φλόγες.
- Χρησιμοποιείτε ένα δοχείο που είναι εγκεκριμένο για καύσιμα.
- Μην καπνίζετε ή επιτρέψετε το κάπνισμα κοντά σε καύσιμα ή στη συσκευή/μηχάνημα ή κατά την χρήση της συσκευής/μηχανήματος.
- Σκουπίστε όλες τις κηλίδες καυσίμου πριν την εκκίνηση του κινητήρα. Μετακινηθείτε τουλάχιστον 3 μέτρα μακριά από την περιοχή τροφοδοσίας καυσίμου πριν το ξεκίνημα του κινητήρα.
- Σταματήστε το κινητήρα πριν την αφαίρεση της τάπας του καυσίμου.
- Αδειάστε το ρεζερβουάρ του καυσίμου πριν αποθηκεύσετε τη συσκευή/μηχάνημα. Συστήνεται να αδειάζετε το καύσιμο μετά από κάθε χρήση. Αν το καύσιμο μένει στο ρεζερβουάρ, κάνετε την αποθήκευση έτσι ώστε να μην διαρρεύσει το καύσιμο.
- Αποθηκεύστε τη συσκευή/μηχάνημα και το καύσιμο σε ένα χώρο όπου οι ατμοί του καυσίμου δεν μπορούν να φτάσουν σε σπινθήρες ή γυμνές φλόγες από θερμαντήρες νερού, ηλεκτρικά μοτέρ ή διακόπτες, λέβητες κλπ.

⚠ ΠΡΟΕΙΔΟΠΟΙΗΣΗ!

Τα συστήματα ενάντια στη δόνηση δεν εξασφαλίζουν ότι δεν θα υποστείτε την ασθένεια του "άσπρου δακτύλου" ή την κάκωση του καρπού και χεριού λόγω επαναληπτικής προσπάθειας. Επομένως οι συναχείς και τακτικοί χρήστες πρέπει να παρακολουθούν στενά την κατάσταση των χεριών και των δακτύλων τους. Αν εμφανιστεί οποιοδήποτε από τα παραπάνω συμπτώματα, ζητήστε αμέσως ιατρική συμβουλή.

Ασφάλεια κατά την διάτρηση

- Μην τρυπήσετε άλλο υλικό εκτός από αυτό για το οποίο προορίζεται.
- Εξετάστε την περιοχή που πρόκειται να τρυπήσετε πριν από την κάθε χρήση. Αφαιρέστε τα αντικείμενα τα οποία μπορούν να πεταχτούν ή να μπλεχτούν.
- Για την προστασία της αναπνοής, φορέστε μια μάσκα προστασίας ενάντια σε αερολύματα κατά την διάτρηση μιας περιοχής στην οποία προηγήθηκε ψεκασμός εντομοκτόνου.
- Κρατήστε άλλα πρόσωπα συμπεριλαμβανομένων των παιδιών, ζώων, παραστεκομένων και βοηθών έξω από μια ζώνη κινδύνου 5 μέτρων. Αν σας πλησιάζει κάποιος σταματήστε αμέσως τον κινητήρα.
- Κρατήστε την μονάδα/το μηχάνημα γερά με τα δυο χέρια.
- Διατηρήστε γερό πάτημα και ισορροπία. Μην προεκτείνετε.
- Κρατήστε όλα τα μέρη του σώματός σας μακριά από το σιγαστήρα και το εξάρτημα διάτρησης όταν λειτουργεί η μηχανή.

Ασφάλεια συντήρησης

- Διατηρήστε τη συσκευή/μηχάνημα σύμφωνα με τις συνιστώμενες διαδικασίες.
- Αποσυνδέστε το μπουζί πριν από την εκτέλεση της συντήρησης εκτός από την περίπτωση των ρυθμίσεων του καρμπρατέρ.
- Κρατήστε τα άλλα άτομα μακριά όταν κάνετε ρυθμίσεις στο καρμπρατέρ.
- Χρησιμοποιείτε μόνο αυθεντικά ανταλλακτικά της Tanaka όπως συνιστώνται από τον κατασκευαστή.

Μεταφορά και αποθήκευση

- Μεταφέρετε την συσκευή/μηχάνημα με το χέρι με την μηχανή σταματημένη και το σιγαστήρα μακριά από το σώμα σας.
- Αφήστε τη μηχανή να κρυώσει, αδειάστε το ρεζερβουάρ καυσίμου, και ασφαλίστε τη συσκευή/μηχάνημα πριν την αποθήκευση ή την μεταφέρετε μέσα σε ένα όχημα.
- Αδειάστε το ρεζερβουάρ καυσίμου πριν την αποθήκευση της συσκευής/μηχανήματος. Συστήνεται να αδειάζετε το καύσιμο μετά από κάθε χρήση. Αν το καύσιμο μένει στο ρεζερβουάρ, κάνετε την αποθήκευση έτσι ώστε να μην διαρρεύσει το καύσιμο.
- Αποθηκεύστε την συσκευή/μηχάνημα σε μέρος όπου δεν έχουν τα παιδιά πρόσβαση.
- Καθαρίζετε και συντηρείτε την συσκευή προσεκτικά και αποθηκεύστε την σε ένα ξηρό μέρος.
- Βεβαιωθείτε ότι η μηχανή είναι σβηστή κατά την μεταφορά ή την αποθήκευση.
- Κατά την μεταφορά μέσα σε όχημα, σκεπάστε το τρυπάνι με το κάλυμμα του τρυπανιού ή με ένα πανί.

Στις περιπτώσεις που δεν καλύπτει αυτός ο οδηγός, δώστε προσοχή και χρησιμοποιήστε την κοινή λογική. Επικοινωνήστε με τον εμπορικό αντιπρόσωπο της Tanaka αν χρειαστείτε βοήθεια. Δώστε πολύ προσοχή στις προτάσεις που προηγούνται από τις

⚠ ΠΡΟΕΙΔΟΠΟΙΗΣΗ!

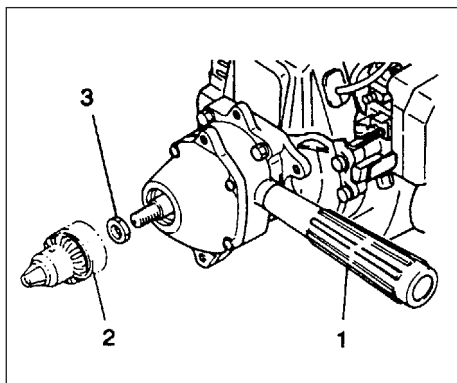
Υποδεικνύει μια υψηλή πιθανότητα σοβαρού προσωπικού τραυματισμού ή θανάτου, αν δεν ακολουθηθούν οι οδηγίες.

ΠΡΟΣΟΧΗ!

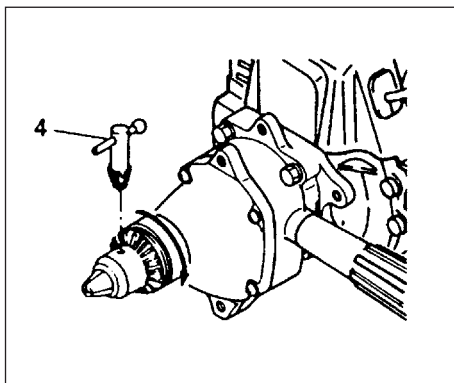
Υποδεικνύει μια πιθανότητα προσωπικού τραυματισμού ή βλάβης του εξοπλισμού, αν δεν ακολουθηθούν οι οδηγίες.

ΣΗΜΕΙΩΣΗ!

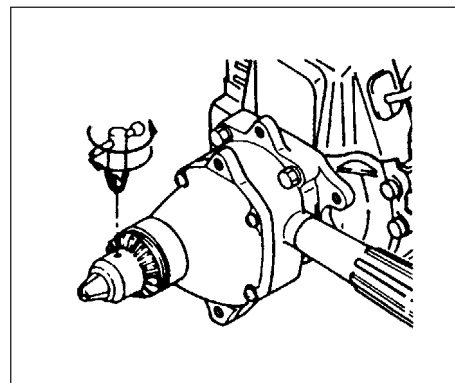
Βοηθητική πληροφορία για σωστή λειτουργία και χρήση.



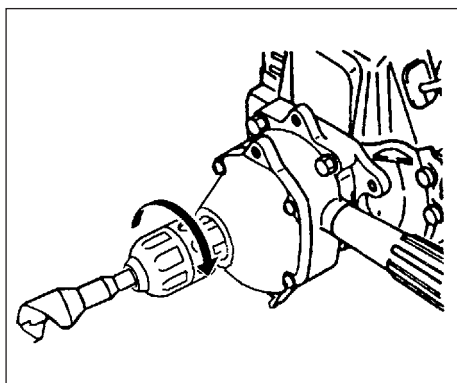
Εικ.1-1



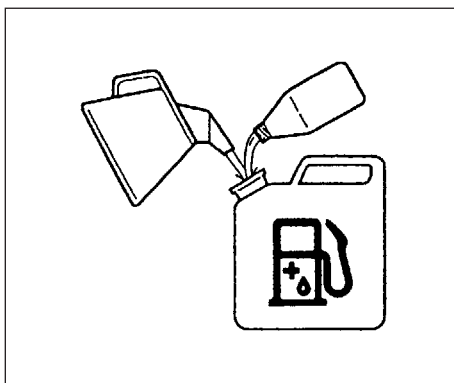
Εικ.1-1B



Εικ.1-1C



Εικ.1-1D



Εικ.2-1

3. Διαδικασίες συναρμολόγησης

Συναρμολόγηση (Εικ. 1-1,1 Β,1 C)

1. Συναρμολογήστε τη λαβή (1) που παρέχεται με την συσκευή πάνω στο κιβώτιο ταχυτήτων.
2. Βιδώστε τη μονάδα του σφικτήρα (2) πάνω στον άξονα μετάδοσης κίνησης (δεξιόστροφα) αφού τοποθετήσετε το κολάρο Β (3). (εάν παρέχεται)
3. Εισάγετε την λεπίδα τρυπανιού που πρόκειται να χρησιμοποιηθεί, αφού ανοίξετε το ν σφικτήρα με το κλειδί του σφικτήρα (4) και ξανασφίξετε τον με το ίδιο κλειδί.

ΣΗΜΕΙΩΣΗ!

Αν υπάρχει στη συσκευή σφικτήρας χωρίς κλειδί, ξεσφίξετε τον σφικτήρα και εισάγετε την λεπίδα τρυπανιού. Μετά σφίξετε καλά το σφικτήρα περιστρέφοντάς τον δεξιόστροφα μέχρι που να ακουστεί ένας ήχος “κλικ” (Εικ. 1-1 D).

Επιλογή της κατάλληλης λεπίδας

Επιλέξτε μια λεπίδα τρυπανιού σύμφωνα με το υλικό που πρόκειται να τρυπηθεί.

4. Διαδικασίες λειτουργίας

Καύσιμο (Εικ. 2-1)

⚠ ΠΡΟΕΙΔΟΠΟΙΗΣΗ!

Το μηχανοκίνητο τρυπάνι είναι εφοδιασμένο με ένα δίχρονο κινητήρα. Πάντοτε να λειτουργείτε το κινητήρα με καύσιμο που είναι αναμειγμένο με λάδι. Να παρέχετε επαρκή αερισμό, κατά την παροχή καυσίμου ή το χειρισμό καυσίμου.

Καύσιμο

- Πάντοτε να χρησιμοποιείτε επάνυμη αμόλυβδη βενζίνη 89 οκτανίων.
- Χρησιμοποιείτε αυθεντικό δίχρονο λάδι ή ένα μείγμα μεταξύ 25:1 και 50:1, παρακαλώ συμβουλευτείτε το μπουκάλι του λαδιού ή τον εμπορικό αντιπρόσωπο της Tanaka για την αναλογία.
- μόνο για την πολιτεία της Καλιφόρνιας σε αναλογία 50:1.
- Εάν δεν είναι διαθέσιμο το αυθεντικό λάδι, χρησιμοποιήστε ένα λάδι ποιότητας αντι-οξειδωτικού προσθέτου με την αποκλειστική επισήμανση χρήσης για αερόψυκτους δίχρονους κινητήρες (JASO FC GRADE OIL ή ISO EGC GRADE). Μη χρησιμοποιήσετε ανάμικτο λάδι BIA ή TCW (που είναι για υδροψυκτες δίχρονες μηχανές).
- Ποτέ να μην χρησιμοποιήσετε λάδι μεταβλητής ρευστότητας (10 W130) ή μεταχειρισμένο λάδι.
- Πάντοτε να αναμειγνύεται το καύσιμο και το λάδι σε ένα ξεχωριστό καθαρό δοχείο.

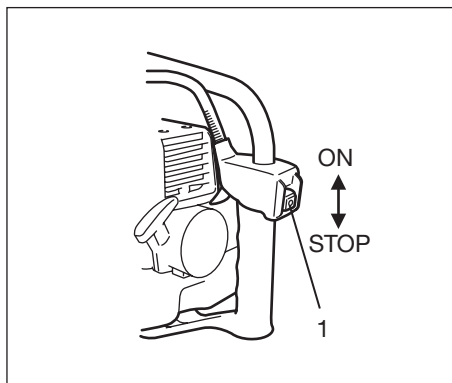
Πάντοτε να ξεκινάτε γεμίζοντας τη μισή ποσότητα του καυσίμου που πρόκειται να χρησιμοποιηθεί. Μετά προσθέστε όλη την ποσότητα του λαδιού. Ανακατέψτε (κουνήσετε) το μείγμα του καυσίμου. Προσθέστε την υπόλοιπη ποσότητα του καυσίμου. Ανακατέψτε (κουνήσετε) το μείγμα του καυσίμου καλά πριν γεμίσετε το ρεζερβουάρ καυσίμου.

Παροχή καυσίμου

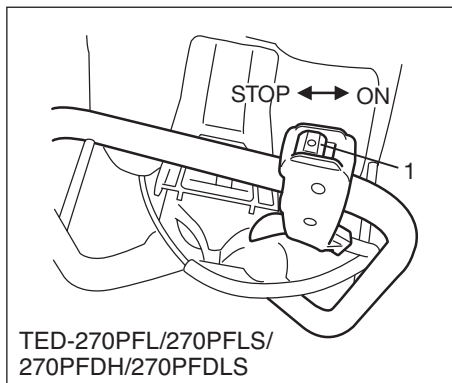
⚠ ΠΡΟΕΙΔΟΠΟΙΗΣΗ!

- Πάντοτε να σβήνετε το κινητήρα πριν από τον ανεφοδιασμό καυσίμου.
- Ανοίξτε αργά το ρεζερβουάρ καυσίμου, κατά το γέμισμα με καύσιμο, έτσι ώστε να εξαλειφθεί η πιθανότητα υπερπίεσης.
- Σφίξτε προσεκτικά την τάπα του καυσίμου, μετά τον ανεφοδιασμό.
- Πάντοτε να μετακινείτε την συσκευή τουλάχιστο 3 μέτρα (10 πόδια) από τη περιοχή παροχής καυσίμου πριν τη θέσετε σε λειτουργία.

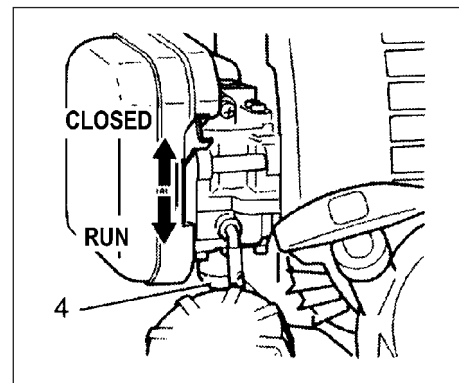
Πριν τον ανεφοδιασμό, καθαρίστε καλά την τάπα του ρεζερβουάρ, για να εξασφαλίσετε ότι δεν θα πέσουν βρωμιές στο ρεζερβουάρ. Εξασφαλίστε ότι το καύσιμο είναι καλά αναμειγμένο κουνώντας το δοχείο, πριν την παροχή καυσίμου.



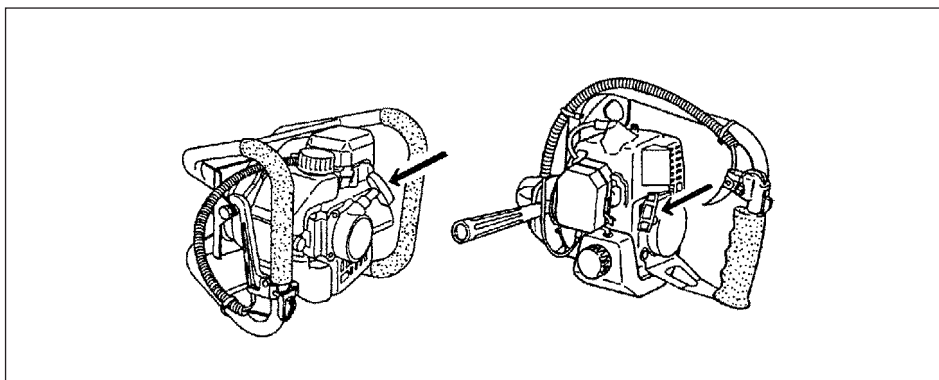
Εικ. 2-2



Εικ. 2-2B



Εικ. 2-3



Εικ. 2-4

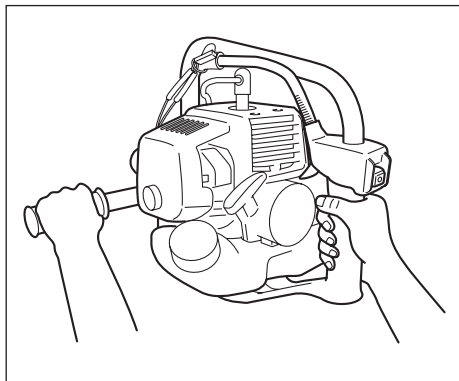
Εκκίνηση

1. Βάλτε το διακόπτη ανάφλεξης (1) στη θέση ON. (Εικ. 2-2, 2B)
 - * Σπρώξτε το βολβό αρχικής πλήρωσης καυσίμου (4) μερικές φορές έτσι ώστε το καύσιμο να εισρεύσει μέσα στο βολβό ή στον αγωγό επιστροφής. (Εάν παρέχεται) (Εικ. 2-3)
2. Ρυθμίστε τον μοχλό του τσοκ στη θέση CLOSED. (Εικ. 2-3)
3. Τραβήξτε απότομα τον εκκινητήρα ανατύλιξης, προσέχοντας να κρατήσετε το χερούλι και να μην το αφήσετε να γυρίσει πίσω. (Εικ. 2-4)
4. Όταν ακούσετε το κινητήρα να προσπαθεί να ξεκινήσει, επιστρέψτε το μοχλό του τσοκ στη θέση RUN (ανοικτό). Μετά τραβήξτε τον εκκινητήρα ανατύλιξης ξανά απότομα. (Fig. 2-3)

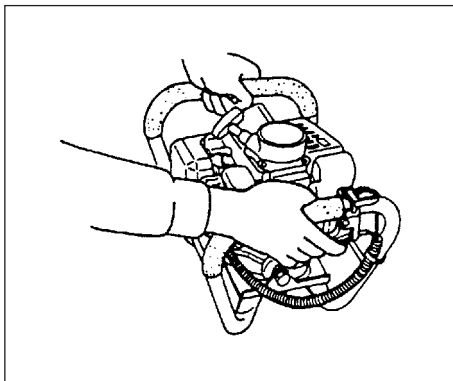
ΣΗΜΕΙΩΣΗ!

Αν ο κινητήρας δεν ξεκινά, επαναλάβετε τις διαδικασίες από το 2 έως το 4.

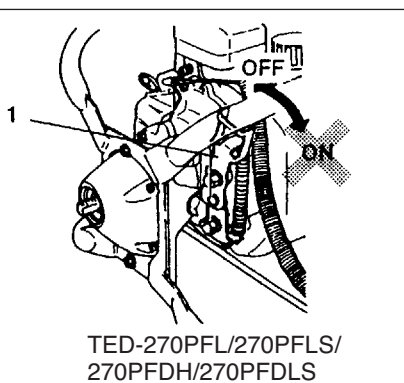
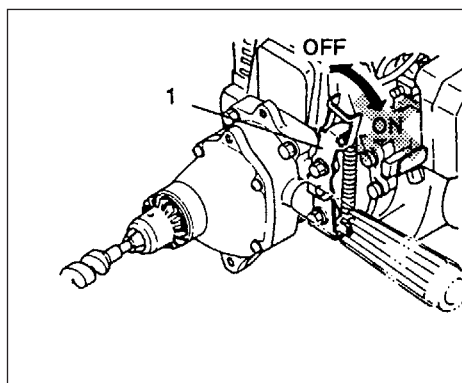
5. Μετά την εκκίνηση του κινητήρα, αφήστε τον κινητήρα να ζεσταθεί για 2-3 λεπτά πριν τον υποβάλλετε στο οποιοδήποτε φορτίο.



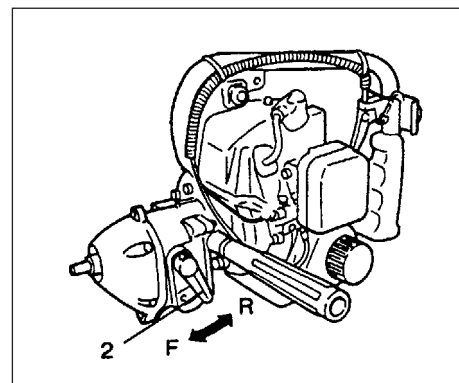
Εικ. 2-5



Εικ. 2-5B



Εικ. 2-5C



Εικ. 2-5D

Διάτρηση (Εικ. 2-5, 5B)

- Πάντοτε να κρατάτε την συσκευή με τα δυο σας χέρια από τις λαβές και να διατηρείτε το σώμα σας σε ισορροπία.
- Να λειτουργείτε τη συσκευή σε υψηλή ταχύτητα κινητήρα και αφήνετε την λεπίδα τρυπανιού να εκτελέσει την εργασία. Μην πιέζετε την λεπίδα μέσα στην τρύπα.
- Αν κάποιο υλικό μπλεχτεί γύρω από την λεπίδα του τρυπανιού, σταματήστε τον κινητήρα, αφήστε τη συσκευή να κρυώσει και αφαιρέστε το καλώδιο από το μπουζί πριν προσπαθήσετε να καθαρίσετε τη λεπίδα.
- Σταματήστε τον κινητήρα και ελέγξτε την συσκευή αν δημιουργηθεί μια ασυνήθιστη δόνηση ή θόρυβος.

Πώς να εκτελέσετε τον Χειρισμό ακινητοποίησης (στο TED-270PFL/270PFLS/270PFDH/270PFDLS) (Εικ. 2-5C)

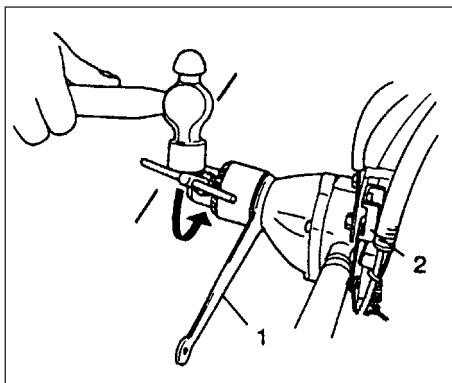
ΣΗΜΕΙΩΣΗ!

Πάντοτε να σταματάτε τον κινητήρα πριν εκτελέσετε τον χειρισμό ακινητοποίησης.

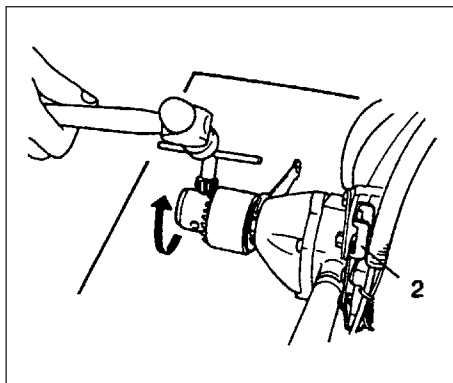
- Όταν η λεπίδα κολλήσει πάνω σε ένα αντικείμενο, σταματήστε τον κινητήρα και ενεργοποιήστε το μοχλό ασφάλισης (1).
- Περιστρέψτε ολόκληρη την συσκευή αριστερόστροφα έτσι ώστε η λεπίδα να τραβιέται προς τα έξω με ευκολία.
- Αν η συσκευή δεν μπορεί να μετακινηθεί, περιστρέψτε την λίγο δεξιόστροφα και μετά ξανά αριστερόστροφα.

Πώς να εκτελέσετε τον Χειρισμό αναστροφής (στο TED-270PFR/270PFRS) (Εικ. 2-5D)

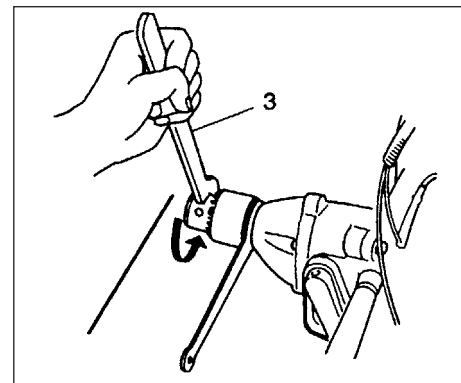
- Ελαττώστε την ταχύτητα του κινητήρα στο ρελαντί και μετακινήστε το μοχλό αλλαγής (2) στη θέση R (Αναστροφή), μετά επιταχύνετε για να το αποσπάσετε.
 - Ο μοχλός αλλαγής μπορεί να μην κινείται εκτός και αν λειτουργεί ο κινητήρας. Αν συμβαίνει αυτό, περιστρέψτε λίγο το σφικτήριο του τρυπανιού με το χέρι.
- * Ο Χειρισμός ακινητοποίησης και ο Χειρισμός αναστροφής έχουν κυρίως ως σκοπό την εύκολη απόσπαση της λεπίδας.



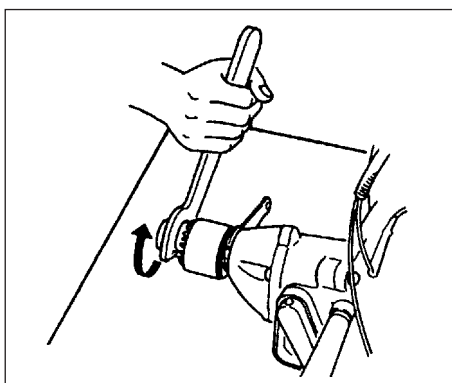
Εικ. 2-6



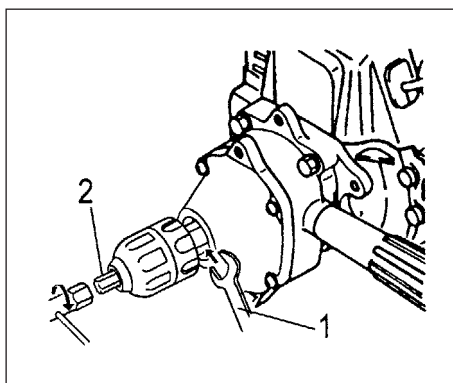
Εικ. 2-6B



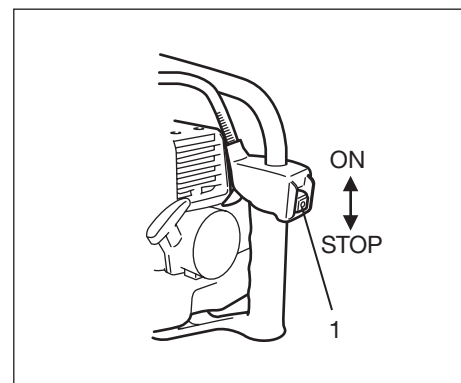
Εικ. 2-7



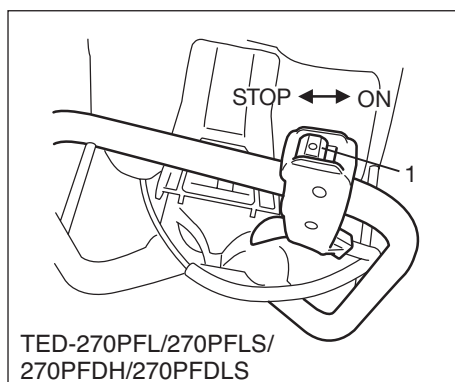
Εικ. 2-7B



Εικ. 2-7C



Εικ. 2-8



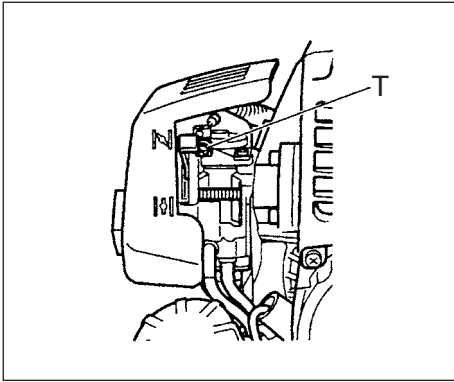
Εικ. 2-8B

- Για να σφίξετε το σφικτήρα περισσότερο σταθερά, βάλτε ένα μηχανικό κλειδί 19mm (1) ανάμεσα στο κιβώτιο ταχυτήτων και το σφικτήρα τρυπανιού για να κλειδώσετε τον άξονα μετάδοσης κίνησης. Ενεργοποιήστε το μοχλό ασφάλισης (2) μετά τοποθετήστε το κλειδί του σφικτήρα και κτυπήστε το με ένα σφυρί για να βιδώσετε (δεξιόστροφα) το σφικτήρα. (TED-270PFL/270PFSL/270PFDH/270PFDLS/270PFHS) (Εικ. 2-6)
- Για να ξεσφίξετε το σφικτήρα, τοποθετήστε το μηχανικό κλειδί στην άλλη πλευρά και κτυπήστε το κλειδί του σφικτήρα από αυτή την πλευρά για να ξεβιδώσετε (αριστερόστροφα) το σφικτήρα με τον μοχλό ασφάλισης ενεργοποιημένο. (TED-270PFL/270PFSL/270PFDH/270PFDLS/270PFHS) (Εικ. 2-6B)

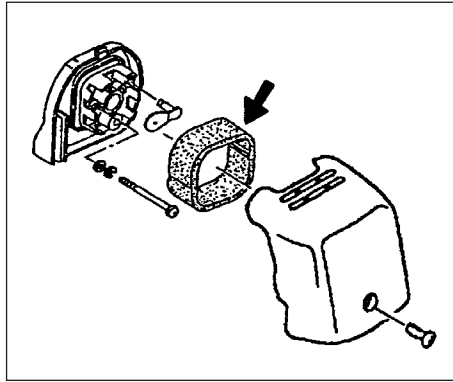
- Σημείωση! χρησιμοποιήστε ένα κλειδί μονταρίσματος σφικτήρα (3) αντί για το κλειδί του σφικτήρα και σφίξετε ή ξεσφίξετε με το χέρι αντί να το κτυπήσετε. Μην χτυπήσετε το κλειδί μονταρίσματος του σφικτήρα. (Εικ. 2-7, 7B)
- Για να σφίξετε ή να ξεσφίξετε το σφικτήρα που δεν απαιτεί κλειδί, βάλτε ένα μηχανικό κλειδί 19mm (1) ανάμεσα στο κιβώτιο ταχυτήτων και το σφικτήρα για να κλειδώσετε τον άξονα μετάδοσης κίνησης. Τοποθετήστε μια ράβδο ασφάλισης (2) στην υποδοχή του σφικτήρα, και μετά σφίξετε (δεξιόστροφα) την ράβδο (2) με ένα κλειδί για μπουλόνια ή ξεσφίξετε την (αριστερόστροφα). (Εικ. 2-7C)

Σταμάτημα (Εικ. 2-8, 8B, 8C)

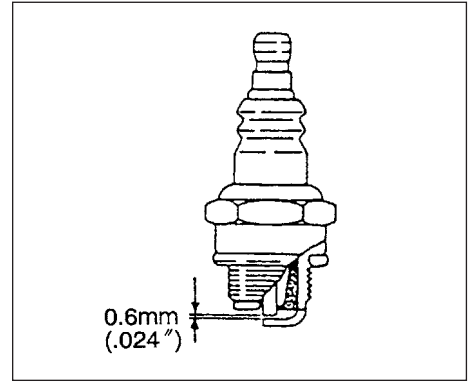
- Ελαττώστε την ταχύτητα του κινητήρα, και στρώξτε το διακόπτη ανάφλεξης στη θέση του στοπ.



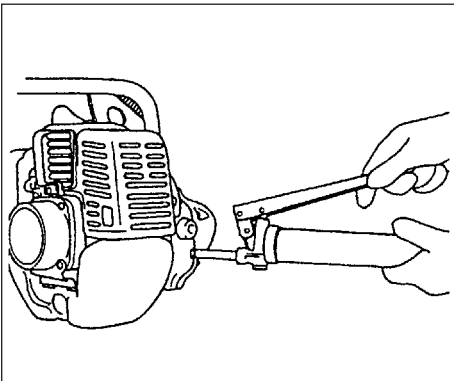
Εικ. 3-1



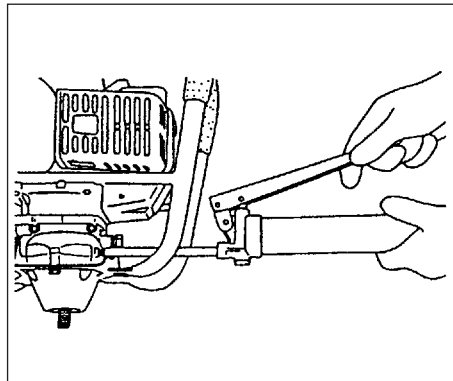
Εικ. 3-2



Εικ. 3-3



Εικ. 3-4



Εικ. 3-4B

5. Συντήρηση

Η ΣΥΝΤΗΡΗΣΗ, Η ΑΝΤΙΚΑΤΑΣΤΑΣΗ, Ή Η ΕΠΙΣΚΕΥΗ ΤΩΝ ΣΥΣΚΕΥΩΝ ΕΛΕΓΧΟΥ ΤΩΝ ΚΑΥΣΑΕΡΙΩΝ ΚΑΙ ΤΟΥ ΣΥΣΤΗΜΑΤΟΣ ΜΠΟΡΟΥΝ ΝΑ ΓΙΝΟΥΝ ΑΠΟ ΕΝΑ ΣΥΝΕΡΓΕΙΟ ΕΙΔΙΚΟ ΓΙΑ ΕΚΤΟΣ ΔΡΟΜΟΥ ΚΙΝΗΤΗΡΕΣ Ή ΤΕΧΝΙΚΟ.

Ρύθμιση του καρμπρατέρ (Εικ. 3-1)

⚠ ΠΡΟΕΙΔΟΠΟΙΗΣΗ!

Το τρυπάνι μπορεί να περιστρέφεται κατά τη διάρκεια των ρυθμίσεων του καρμπρατέρ.

⚠ ΠΡΟΕΙΔΟΠΟΙΗΣΗ!

Ποτέ μην ξεκινήσετε τον κινητήρα χωρίς να έχετε ολοκληρώσει την συναρμολόγηση του καλύμματος του συμπλέκτη και του κιβωτίου των ταχυτήτων! Διαφορετικά ο συμπλέκτης μπορεί να λασκάρει και να προκαλέσει προσωπικό τραυματισμό.

Στο καρμπρατέρ, το καύσιμο ανακατεύεται με αέρα. Κατά τον δοκιμαστικό έλεγχο του κινητήρα στο εργοστάσιο, το καρμπρατέρ είναι ρυθμισμένο. Μια επιπρόσθετη ρύθμιση μπορεί να απαιτηθεί, σύμφωνα με το κλίμα και το υψόμετρο. Το καρμπρατέρ έχει μια δυνατότητα ρύθμισης:

T = Βίδα ρύθμισης ταχύτητας ρελαντί.

Ρύθμιση ταχύτητας ρελαντί (T)

Ελέγξτε ότι το φίλτρο του αέρα είναι καθαρό. Όταν η ταχύτητα του ρελαντί είναι σωστή, το τρυπάνι δεν θα περιστρέφεται. Αν απαιτείται ρύθμιση, σφίξτε (δεξιόστροφα) την

T-βίδα, με τον κινητήρα σε λειτουργία, μέχρι το τρυπάνι να αρχίζει να περιστρέφεται. Ξεσφίξτε (αριστερόστροφα) την βίδα μέχρι το τρυπάνι να σταματήσει. Η σωστή ταχύτητα του ρελαντί έχει επιτευχθεί όταν ο κινητήρας δουλεύει ομαλά σε όλες τις

θέσεις με στροφές ανά λεπτό πολύ πιο κάτω από αυτές που έχει όταν το τρυπάνι αρχίσει να περιστρέφεται.

Αν το τρυπάνι περιστρέφεται ακόμα μετά από την ρύθμιση της ταχύτητας του ρελαντί, επικοινωνήστε με τον εμπορικό αντιπρόσωπο της Tanaka.

⚠ ΠΡΟΕΙΔΟΠΟΙΗΣΗ!

Όταν ο κινητήρας βρίσκεται στο ρελαντί, το τρυπάνι δεν πρέπει να περιστρέφεται κάτω από οποιαδήποτε κατάσταση.

Φίλτρο αέρα (Εικ. 3-2)

Το φίλτρο αέρα (1) πρέπει να είναι καθαρό από σκόνη και βρωμιά για την αποφυγή:

- Της δυσλειτουργίας του καρμπρατέρ.
- Της έναρξης προβλημάτων.
- Της μείωσης της δύναμης του κινητήρα.
- Της περιττής φθοράς των μερών του κινητήρα.

• Της μη κανονικής κατανάλωσης καυσίμου. Καθαρίστε το φίλτρο αέρα καθημερινά ή συχνότερα αν εργάζεστε σε περιοχές με υπερβολική σκόνη.

Καθαρισμός του φίλτρου αέρα.

Αφαιρέστε το κάλυμμα του φίλτρου αέρα και το φίλτρο. Ξεπλύντε το με ζεστό σαπουνόνερο. Ελέγξτε ότι το φίλτρο είναι καθαρό πριν την επανασυναρμολόγηση. Ένα φίλτρο αέρα που έχει χρησιμοποιηθεί για κάποιο χρονικό διάστημα δεν μπορεί να καθαριστεί εντελώς. Επομένως, πρέπει να αντικαθίσταται τακτικά με ένα καινούργιο. Ένα καταστραμμένο φίλτρο πρέπει πάντοτε να αντικαθίσταται.

ΣΗΜΕΙΩΣΗ!

Εμπιστείτε το στοιχείο σε δίχρονο λάδι ή κάτι παρόμοιο. Συμπιέστε το στοιχείο για να διανεμηθεί εντελώς το λάδι και για αφαιρεθεί το παραπάνω λάδι.

Μπουζί (Εικ. 3-3)

Η κατάσταση του μπουζί επηρεάζεται από:

- Τη λανθασμένη ρύθμιση του καρμπρατέρ.
- Το λανθασμένο μείγμα καυσίμου (παραπάνω από την κανονική ποσότητα λαδιού στη βενζίνη)
- Το βρώμικο φίλτρο αέρα.
- Τις σκληρές συνθήκες λειτουργίας (όπως ο ψυχρός καιρός).

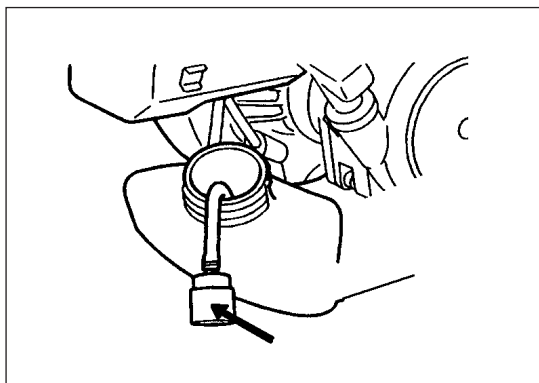
Αυτοί οι παράγοντες δημιουργούν επικαθίσεις στα ηλεκτρόδια του μπουζί, οι οποίες μπορεί να προκαλέσουν την δυσλειτουργία και το ξεκίνημα δυσκολιών. Αν ο κινητήρας έχει μικρή ισχύ, δυσκολεύεται να ξεκινήσει ή δεν δουλεύει σωστά στην ταχύτητα του ρελαντί, πάντοτε να ελέγχετε το μπουζί πρώτα. Αν το μπουζί είναι βρώμικο, καθαρίστε το και ελέγξτε το κενό των ηλεκτροδίων. Ρυθμίστε ξανά αν είναι απαραίτητο. Το σωστό κενό είναι 0,6 χιλ (.024"). Το μπουζί πρέπει να αντικατασταθεί μετά από περίπου 100 ώρες λειτουργίας ή νωρίτερα αν τα ηλεκτρόδια έχουν αρκετά φθαρεί.

ΣΗΜΕΙΩΣΗ!

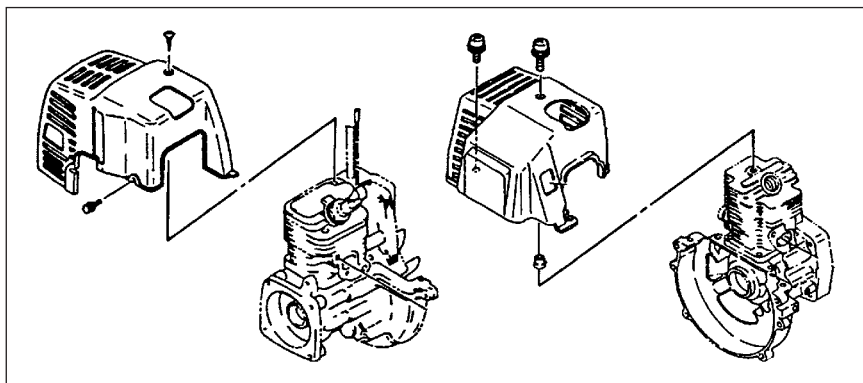
Σε ορισμένες περιοχές, ο τοπικός νόμος απαιτεί τη χρήση ενός μπουζί αντίστασης για την καταστολή των σημάτων ανάφλεξης. Αν αυτό το μηχανήμα ήταν αρχικά εφοδιασμένο με μπουζί αντίστασης, χρησιμοποιήστε τον ίδιο τύπο μπουζί κατά την αντικατάσταση.

Κιβώτιο ταχυτήτων (Εικ. 3-4, 4B)

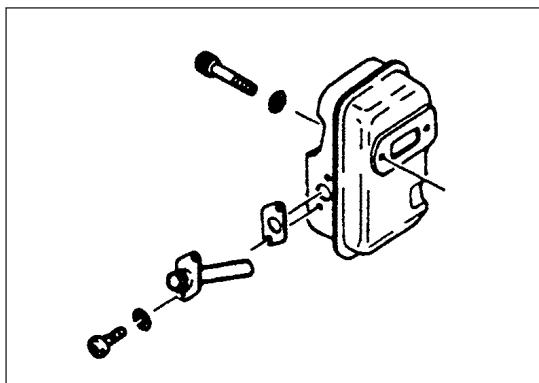
Βάλτε ένα καλής ποιότητας γράσο βασισμένο στο λίθιο μέσα στην υποδοχή για γράσο. Η λίπανση πρέπει να γίνεται κατά διαστήματα 50 ωρών και συχνότερα στην περίπτωση συχνής χρήσης.



Εικ. 3-5



Εικ. 3-6



Εικ. 3-7

Φίλτρο καυσίμου (Εικ. 3-5)

Αφαιρέστε το φίλτρο καυσίμου από το ρεζερβουάρ καυσίμου και πλύνετε το καλά με διαλύτη. Μετά από αυτό, σπρώξτε εντελώς το φίλτρο πίσω στο ρεζερβουάρ.

ΣΗΜΕΙΩΣΗ!

Αν το φίλτρο είναι σκληρό εξαιτίας της σκόνης και της βρωμιάς, αντικαταστήστε το.

Καθαρισμός των πτερυγίων του κυλίνδρου (Εικ. 3-6)

Όταν πιαστούν ρινίσματα ανάμεσα στα πτερύγια του κυλίνδρου, ο κινητήρας μπορεί να υπερθερμανθεί, προκαλώντας την μείωση της ισχύος. Για να αποφύγετε αυτό, πάντοτε διατηρείτε τα πτερύγια του κυλίνδρου και τη θήκη του ανεμιστήρα καθαρά.

Κάθε 100 ώρες λειτουργίας, ή μια φορά το χρόνο (συχνότερα αν οι συνθήκες το απαιτούν), καθαρίζετε τα πτερύγια και τις εξωτερικές επιφάνειες του κινητήρα από τη σκόνη, βρωμιά και τα κατακάθια από λάδι τα οποία συνεισφέρουν στην ατελή ψύξη.

Καθαρισμός του σιγαστήρα (Εικ. 3-7)

Αφαιρέστε το σιγαστήρα (1) και το παγιδευτή σπινθήρων (αν είναι εφοδιασμένος), και καθαρίστε την οποιαδήποτε μολυβούρα από την εξάτμιση ή την είσοδο του σιγαστήρα κάθε 100 ώρες λειτουργίας.

Για μακρόχρονη αποθήκευση

Βγάλτε όλο το καύσιμο από το ρεζερβουάρ καυσίμου. Ξεκινήστε και αφήστε τον κινητήρα να λειτουργήσει μέχρις ότου να σταματήσει. Επισκευάστε την οποιαδήποτε ζημιά που προκλήθηκε από τη χρήση. Καθαρίστε τη συσκευή με ένα καθαρό πανί, ή χρησιμοποιήστε αέρα με υψηλή πίεση. Βάλτε μερικές σταγόνες δίχρονο λάδι κινητήρα μέσα στο κύλινδρο από την τρύπα του μπουζί και περιστρέψτε το κινητήρα μερικές φορές για να κατανεμηθεί το λάδι. Καλύψτε την συσκευή και αποθηκεύστε την σε ένα ξηρό χώρο.

Πρόγραμμα συντήρησης

Παρακάτω θα βρείτε ορισμένες γενικές οδηγίες συντήρησης. Για περισσότερες πληροφορίες παρακαλώ επικοινωνήστε με τον εμπορικό αντιπρόσωπο της Tanaka.

Ημερήσια συντήρηση

- Καθαρίστε το εξωτερικό του φρακτοκόπτη.
- Ελέγξτε ότι το εξάρτημα διάτρησης είναι κατάλληλα κεντροθετημένο, αιχμηρό, και χωρίς ρωγμές. Ένα τρυπάνι που δεν είναι τοποθετημένο στο κέντρο προκαλεί ισχυρές δονήσεις που μπορούν να βλάψουν τη συσκευή.
- Ελέγξτε ότι το εξάρτημα διάτρησης είναι επαρκώς σφιγμένο.
- Ελέγξτε ότι τα παξιμάδια και οι βίδες είναι επαρκώς σφιγμένα.





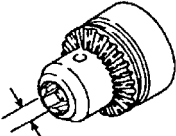

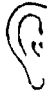

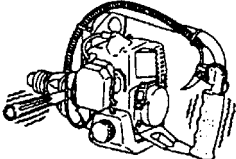
Εβδομαδιαία συντήρηση

- Ελέγξτε τον εκκινητήρα, ειδικά το καλώδιο και το ελατήριο επιστροφής.
- Καθαρίστε το εξωτερικό μπουζί.
- Αφαιρέστε το μπουζί και ελέγξτε το κενό του ηλεκτροδίου. Ρυθμίστε το στα 0,6 χιλιοστά (.024") ή αλλάξτε το μπουζί.
- Καθαρίστε τα πτερύγια ψύξης πάνω στον κύλινδρο και ελέγξτε ότι η είσοδος αέρα στον εκκινητήρα δεν είναι κλεισμένη.
- Ελέγξτε ότι το γωνιακό γρανάζι είναι γεμάτο με γράσο μέχρι τα 3/4.
- Καθαρίστε το φίλτρο αέρα.





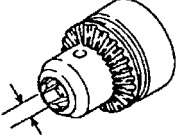

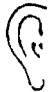

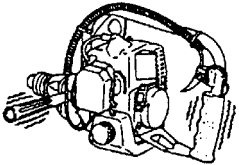
Μηνιαία συντήρηση

- Ξεπλύνετε το ρεζερβουάρ καυσίμου με βενζίνη και καθαρίστε το φίλτρο καυσίμου.
- Καθαρίστε τον ανεμιστήρα και το χώρο γύρω από αυτό.
- Καθαρίστε το εξωτερικό του καρμπρατέρ και το χώρο γύρω από αυτό.

6. Τεχνικά χαρακτηριστικά

ΜΟΝΤΕΛΟ	TED-270PFL/ TED-270PFLS	TED-270PFR/ TED-270PFRS	TED-270PFHS
			
Μέγεθος Κινητήρα (ml)	26.9 (1.64 cu. in.)	←	←
			
Μπουζί	Champion CJ-8 ή παρόμοιο	←	←
			
Χωρητικότητα Ρεζερβουάρ Καυσίμου (l)	0.67 (22.8 fl. oz)	←	←
			
Καθαρό Βάρος (kg).....	5.1 (11.2 lbs)	5.6 (12.3 lbs)	5.0 (11.0 lbs)
			
Άνοιγμα Σφικτήρα (mm).....	12.7 (1/2 in)	←	←
Διάμετρος Άξονα Μετάδοσης Κίνησης	1/2"-20 UNF	←	←
			
Μεγ. Μέγεθος Τρυπανιού (mm)	25.4 (1 in) (Ξύλο)	←	←
Χειρισμός Αναστροφής.....			
Χειρισμός Ακινητοποίησης			
			
Επίπεδο ηχητικής πίεσης (dB(A))LpA (EN 27917)	95.1	95.1	95.1
			
Επίπεδο ηχητικής πίεσης (dB(A))LwA	116	116	116
			
Ισχύς δόνησης (m/s ²) (ISO 7916)			
Μπροστινή λαβή	7.1	7.1	7.1
Οπίσθια λαβή	7.2	7.2	7.2

ΣΗΜΕΙΩΣΗ! : Τα ισοδύναμα επίπεδα ύψους θορύβου/δόνησης είναι υπολογισμένα ως η σταθμισμένη στο χρόνο συνολική ενέργεια για τα επίπεδα θορύβου/δόνησης κάτω από διαφορετικές συνθήκες εργασίας με την ακόλουθη κατανομή του χρόνου: 1/2 ρελαντί, 1/2 υπερεπιτάχυνση.

ΜΟΝΤΕΛΟ	TED-270PFDH	TED-270PFDLS
		
Μέγεθος Κινητήρα (ml)	26.9 (1.64 cu. in.)	←
		
Μπουζί	Champion CJ-8 ή παρόμοιο	←
		
Χωρητικότητα Ρεζερβουάρ Καυσίμου (l)	0.67 (22.8 fl. oz)	←
		
Καθαρό Βάρος (kg).....	6.6	6.6
		
Άνοιγμα Σφικτήρα (mm).....	12.7(1/2 in)	←
Διάμετρος Άξονα Μετάδοσης Κίνησης	1/2"-20 UNF	←
		
Μεγ. Μέγεθος Τρυπανιού (mm)	25.4 (1 in)	←
(Ξύλο)		
Χειρισμός Αναστροφής.....		
Χειρισμός Ακινητοποίησης		
		
Επίπεδο ηχητικής πίεσης (dB(A))	LpA 94.0	94.1
(EN 27917)		
		
Επίπεδο ηχητικής πίεσης (dB(A))	LwA 104	104
		
Ισχύς δόνησης (m/s ²) (ISO 7916)		
Μπροστινή λαβή	7.81	Right 6.50
Οπίσθια λαβή	5.66	Left 6.76

ΣΗΜΕΙΩΣΗ! : Τα ισοδύναμα επίπεδα ύψους θορύβου/δόνησης είναι υπολογισμένα ως η σταθμισμένη στο χρόνο συνολική ενέργεια για τα επίπεδα θορύβου/δόνησης κάτω από διαφορετικές συνθήκες εργασίας με την ακόλουθη κατανομή του χρόνου: 1/2 ρελαντί, 1/2 υπερεπιτάχυνση.

*Δηλώνεται με απόλυτη ευθύνη ότι το προϊόν, χορτοκοπτικό μοντέλο

Nikko Tanaka Engineering Co., Ltd.