

Tanaka Illustrated Parts Manual

Model Number:

TCP-210

PORTABLE WATER PUMP

P/N 31629

Rev 000

Date 9-23-05



Supplier To The Outdoor Power Equipment Industry

ISM, Inc. • 1028 4th Street SW, Ste "B" • Auburn, WA 98001 • Phone: (253) 333-1200 • Fax: (253) 333-1212

Tanaka **PRODUCT INFORMATION**

TCP-210

Centrifugal Pump



Features / Benefits:

- **24cc, 1.2 hp engine** features two piston rings and a stress relieved, chrome plated cylinder for long engine life.
- **Sound Reduction System®** reduces engine noise up to 44 percent.
- **1 inch suction/discharge ports & couplings** come with a 10' suction hose and stainless steel basket strainer, and includes a garden hose adapter.
- **Carrying handle** is conveniently located to provide for easy transportation.
- **Metal impeller and chamber** increases pumping volume and decreases operation time.
- **1 / 2 / 5 Warranty Coverage** provides **One-Year** coverage for professionals, **Two-Year** Coverage for Homeowners, and **Five Years** on the Electronic Ignition Module.

TCP-210 Specifications

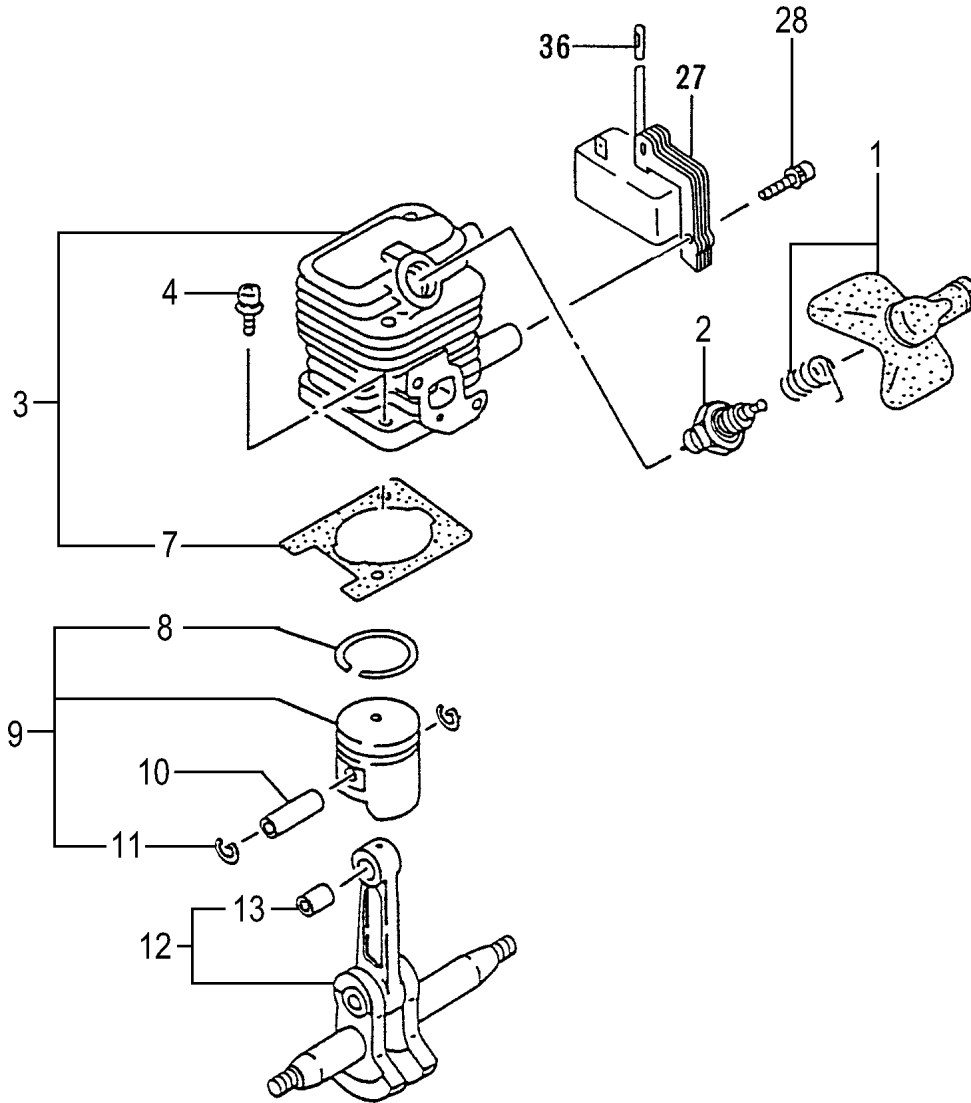
Engine Displacement cc (cu. in.)	21 (1.3)
Power (h.p.)	1.0 @ 8000 RPM
Carburetion	Walbro Diaphragm
Ignition System	Transistorized Electronic
Fuel Tank Capacity / fl. oz. (cc)	25.3 (750)
Suction / Discharge	1" Port Diameter
Suction Head Ft. (meters)	23 (7) Maximum
Delivery Head Ft. (meters)	114 (35) Maximum
Discharge	1900 GPH Maximum
Couplings	2 x 1", 1 x 5/8" Garden Hose
Suction Hose	1" x 10 Ft.
Strainer	Heavy Duty Steel (Standard)
Dry Weight / lbs. (kg)	11.2 (5.1)

Optional Accessories:

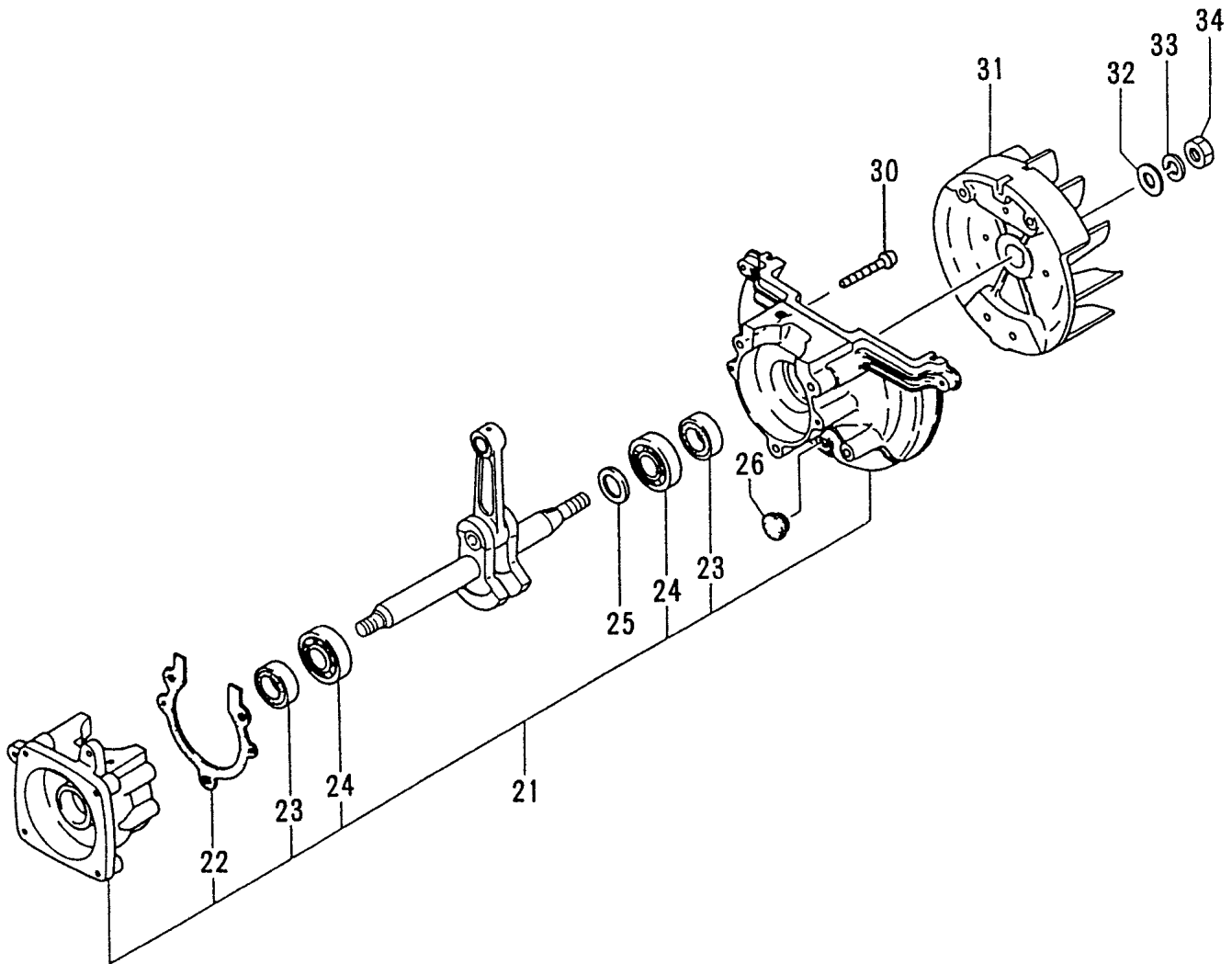
ORDER #	DESCRIPTION
Sizes Vary	Perfect Mix™ 2-Cycle Engine Oil

All data and specifications are subject to change without notice
 For more information, contact:

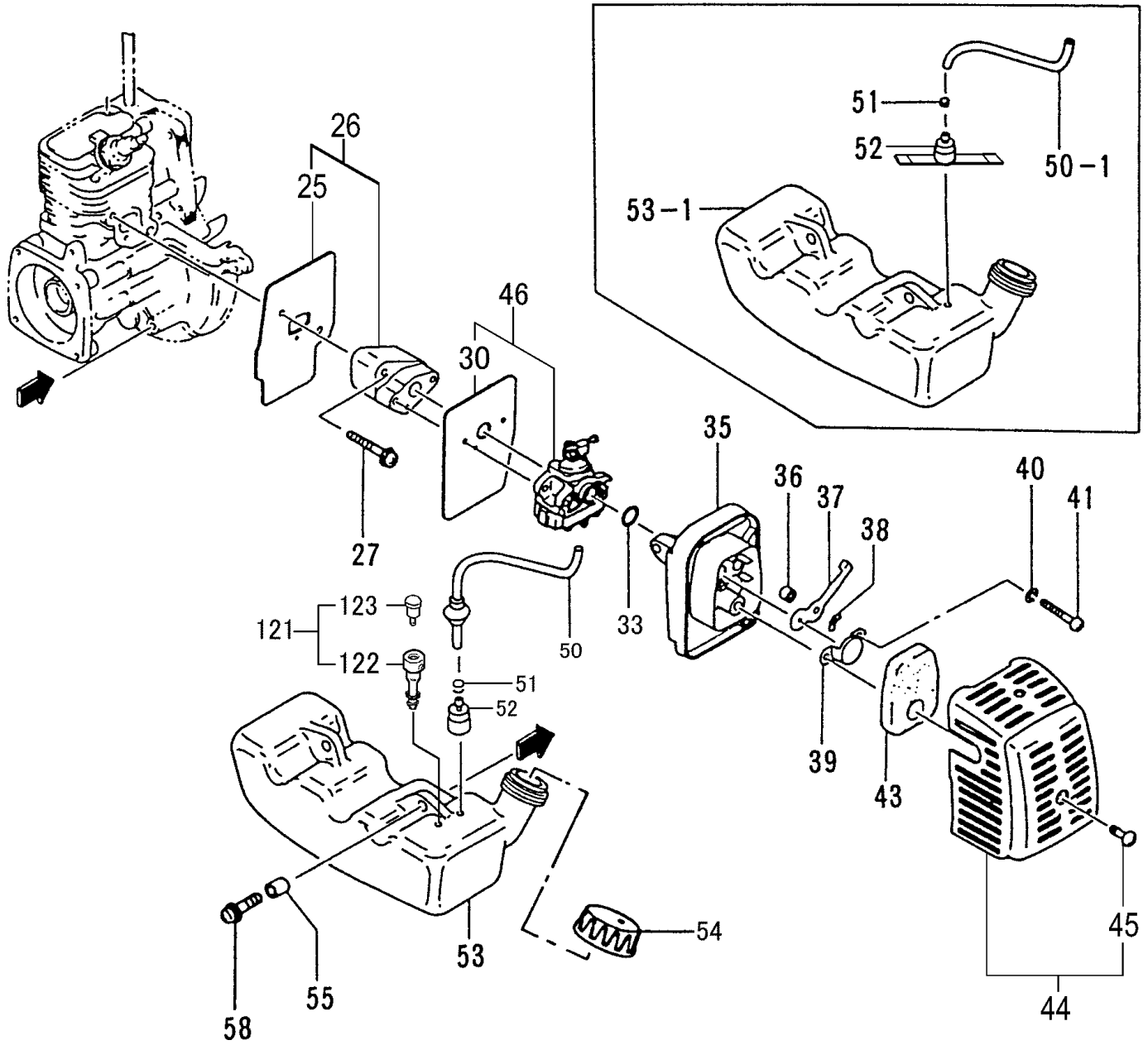
ENGINE / CYLINDER, PISTON, CRANKSHAFT • FIGURE 1



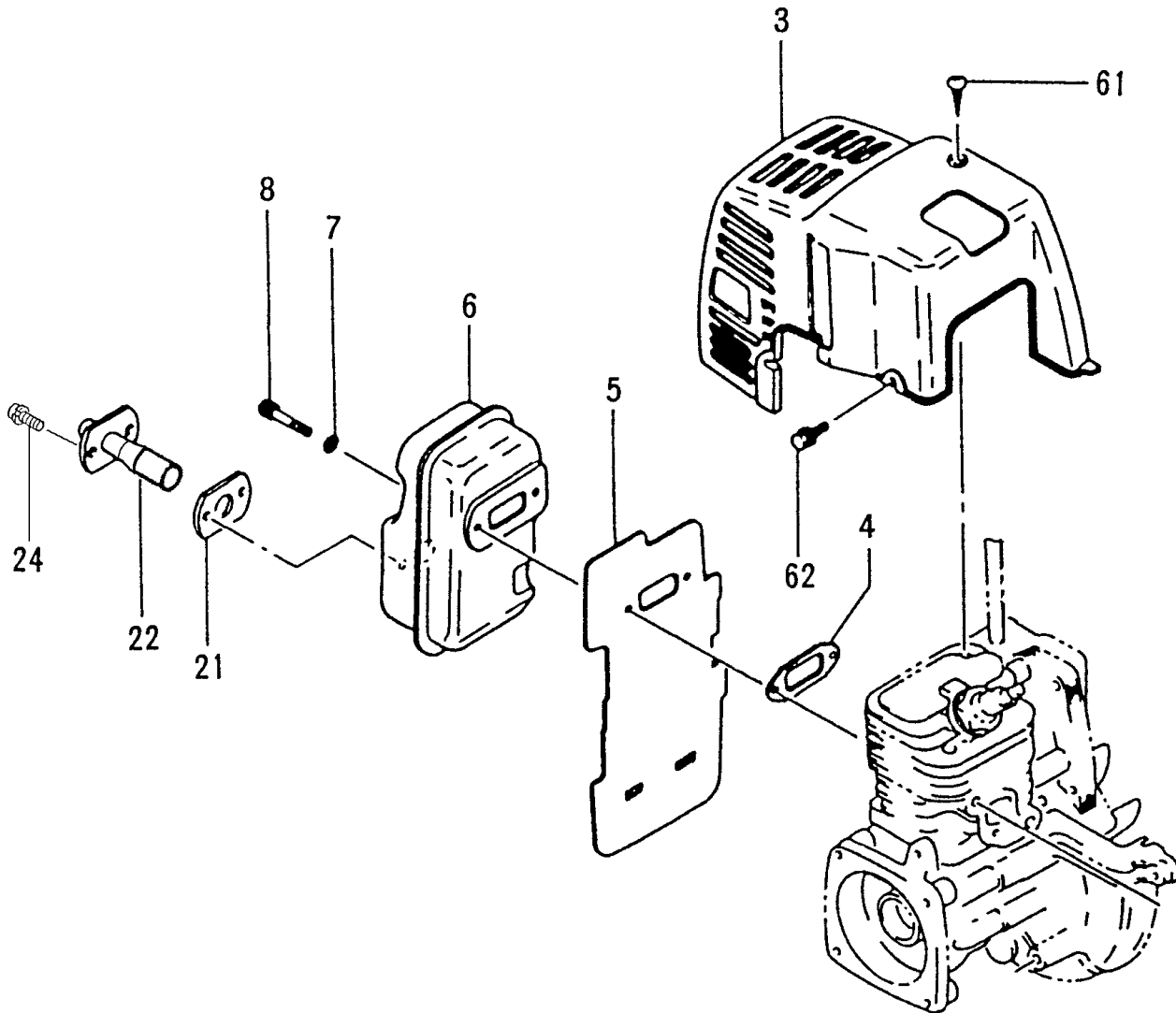
ITEM	PART NUMBER	DESCRIPTION	QTY	COMMENTS
1-1	1570650091	CAP, SPARK PLUG ASS'Y	1	
1-2	0181161021	PLUG, SPARK	1	
1-3	0010650090	SET, CYLINDER	1	~S256170
1-3	0010650A90	CYLINDER SET	1	S256171~
1-4	99416050201	SCREW, 5X20/WS	2	
1-7	0170650020	GASKET, CYLINDER	1	
1-8	04100601210	RING, PISTON	1	
1-9	0300650090	SET, PISTON	1	~S256170 (piston pin not included)
1-9	0300650A90	PISTON SET	1	S256171~ (piston pin not included)
1-10	03706500200	PIN, PISTON	1	
1-11	03901620200	CIRCLIP, PISTON PIN	2	
1-12	0460650A800	CRANKSHAFT	1	
1-13	99962081225	BEARING, NEEDLE, F-810	1	
1-27	1672153280	COIL, IGNITION	1	
1-28	99416040186	SCREW, WS, 4X18	2	
1-36	25006500200	TUBE, INSULATOR	1	



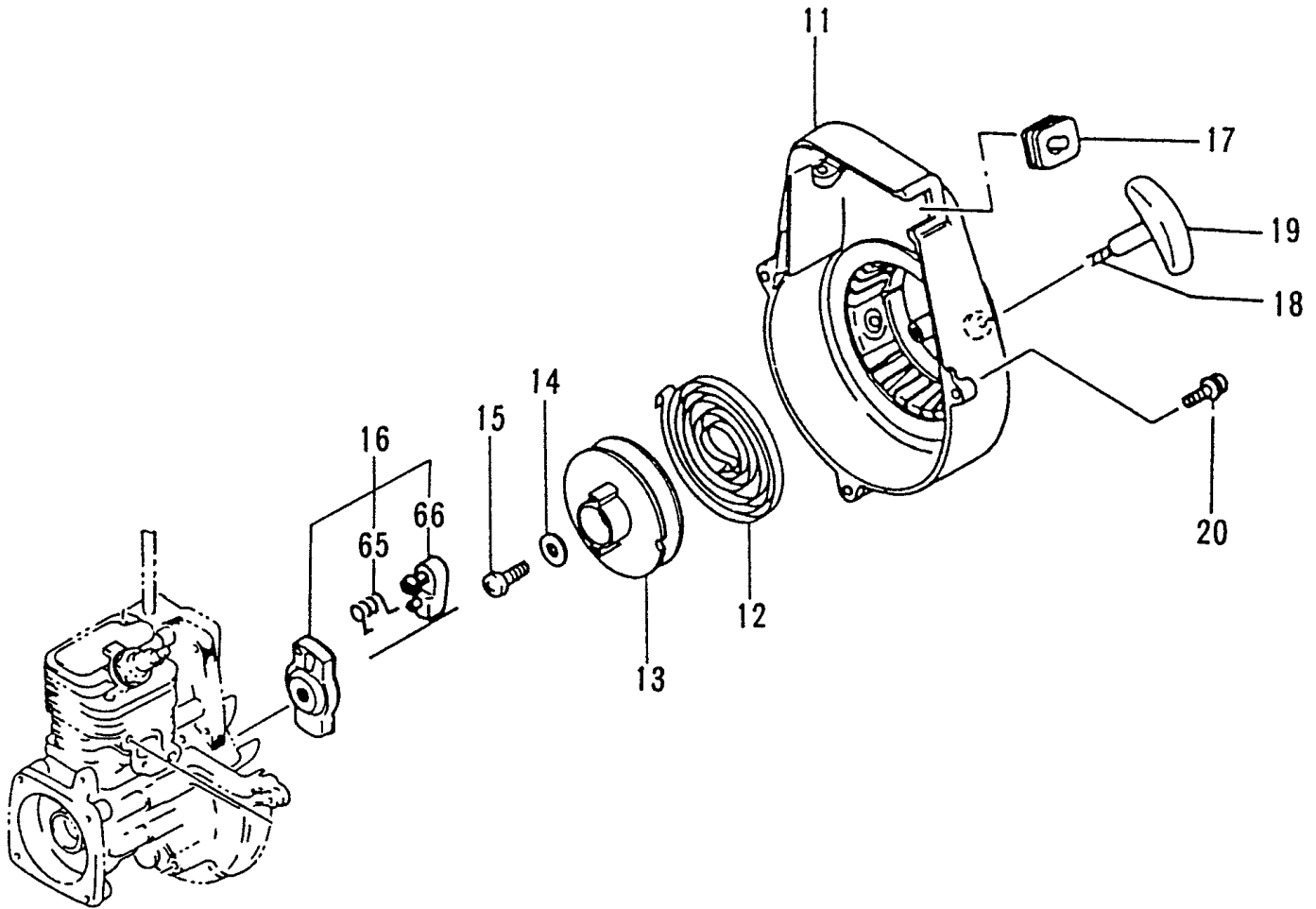
ITEM	PART NUMBER	DESCRIPTION	QTY	COMMENTS
2-21	0720650A900	CRANKCASE,ASS'Y	1	
2-22	09006500200	GASKET,CRANKCASE	1	
2-23	99966122206	OIL SEAL	2	
2-24	99961600100	BEARING,BALL,#6001	2	
2-25	33000200210	SHIM,12.2X19X.10	1	
2-25	33000200220	SHIM,12.2X19X.15	1	
2-25	33000200230	SHIM,12.2X19X.20	1	
2-25	33000200240	SHIM,12.2X19X.30	1	
2-26	59900601200	CUSHION	1	
2-30	99414050301	SCREW,5X30/S	3	
2-31	1552152380	ROTOR,MAGNETO	1	
2-32	99201080011	WASHER,8	1	
2-33	99210080012	WASHER,S,8	1	
2-34	99101080011	NUT,8	1	



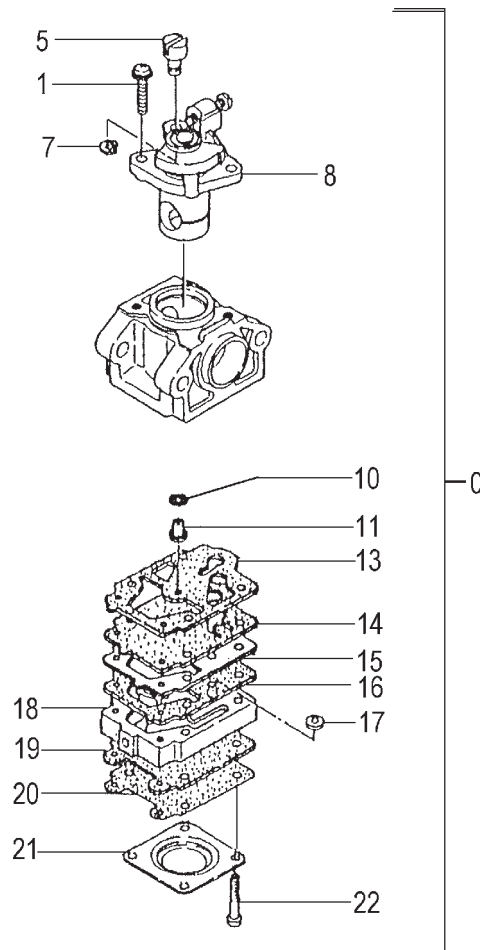
ITEM	PART NUMBER	DESCRIPTION	QTY	COMMENTS
3-25	40306500200	GASKET,INTAKE	1	
3-26	4040650090	SET,CARB INSULATOR	1	
3-27	99416050252	SCREW,5X25WS	2	
3-30	40206500200	GASKET,CARBURETOR	1	
3-33	99967015000	O-RING,P15	1	
3-35	4230650081	BODY,CLEANER	1	
3-36	47006500200	COLLAR	2	
3-37	52806500200	LEVER,CHOKE	1	
3-38	99204080030	WASHER	1	
3-39	47601700200	BOARD,BLOW OVER CHECK	1	
3-40	99210050012	WASHER,S,5	2	
3-41	99011050602	SCREW,5X60	2	
3-43	4460650020	ELEMENT,CLEANER	1	
3-44	4520650091	COVER,CLEANER,W/BOLT	1	
3-45	3800637C200	BOLT,CLEANER COVER	1	
3-46	45525146900	CARBURETOR SET	1	~T008950
3-46	4550650A90	CARBURETOR SET	1	T008951~
3-50-1	70053005130	PIPE,FUEL	1	~R078200
3-50	2230650090	PIPE,FUEL,ASS'Y	1	R078201~
3-51	68000731201	CLIP 6.3	1	
3-52	6750608A900	FILTER,FUEL	1	~P003585
3-52	6750404280	FILTER,FUEL	1	P003586~
3-53-1	5910650A00	TANK SET	1	~V169300
3-53	5910650C21	TANK,FUEL	1	V169301~
3-54	5950650A90	CAP,TANK	1	~V169300
3-54	5950656B90	CAP,FUEL BLACK,NON VENT	1	V169301~
3-55	65900801200	COLLAR	2	
3-58	99463050185	BOLT,HEX 5X18PS	2	
3-121	5640661190	VENT,AIR ASS'Y	1	V169301~
3-122	5650441020	PIPE,AIR VENT	1	V169301~
3-123	6460661290	VALVE	1	V169301~



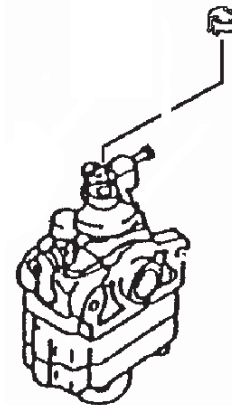
ITEM	PART NUMBER	DESCRIPTION	QTY	COMMENTS
4-3	7380650A201	PROTECTOR,MUFFLER	1	
4-4	73706500200	GASKET,MUFFLER	1	
4-5	13306500200	SHIELD,HEAT	1	
4-6	7060650B800	MUFFLER	1	
4-7	99201050011	WASHER,5	2	
4-8	99051050503	BOLT,HEX,5X50	2	
4-21	75104200201	GASKET,MUFFLER	1	
4-22	7210650A800	PIPE, TAIL	1	
4-24	99434040081	SCREW,4X8/S	2	
4-61	99072045164	SCREW,TAPPING,4.5X16	1	
4-62	99425040128	BOLT,PS,4X12	2	



ITEM	PART NUMBER	DESCRIPTION	QTY	COMMENTS
5-11	1120650A80	CASE,FAN	1	
5-12	78006097200	SPRING,RECOIL	1	
5-13	77406097200	PULLEY,STARTER	1	
5-14	80106091200	WASHER,ROPE REEL	1	~Q014231
5-15	8390201020	SCREW,SET	1	
5-16	79806500900	PULLEY,STARTER,ASS'Y	1	
5-17	2030604A202	GROMMET	1	
5-18	78306097200	ROPE,STARTER	1	
5-19	78506410200	HANDLE,STARTER	1	
5-20	99415040162	SCREW,PS,4X16	3	
5-65	79006097200	SPRING,STARTER PAWL	1	
5-66	7880650020	PAWL,STARTER	1	

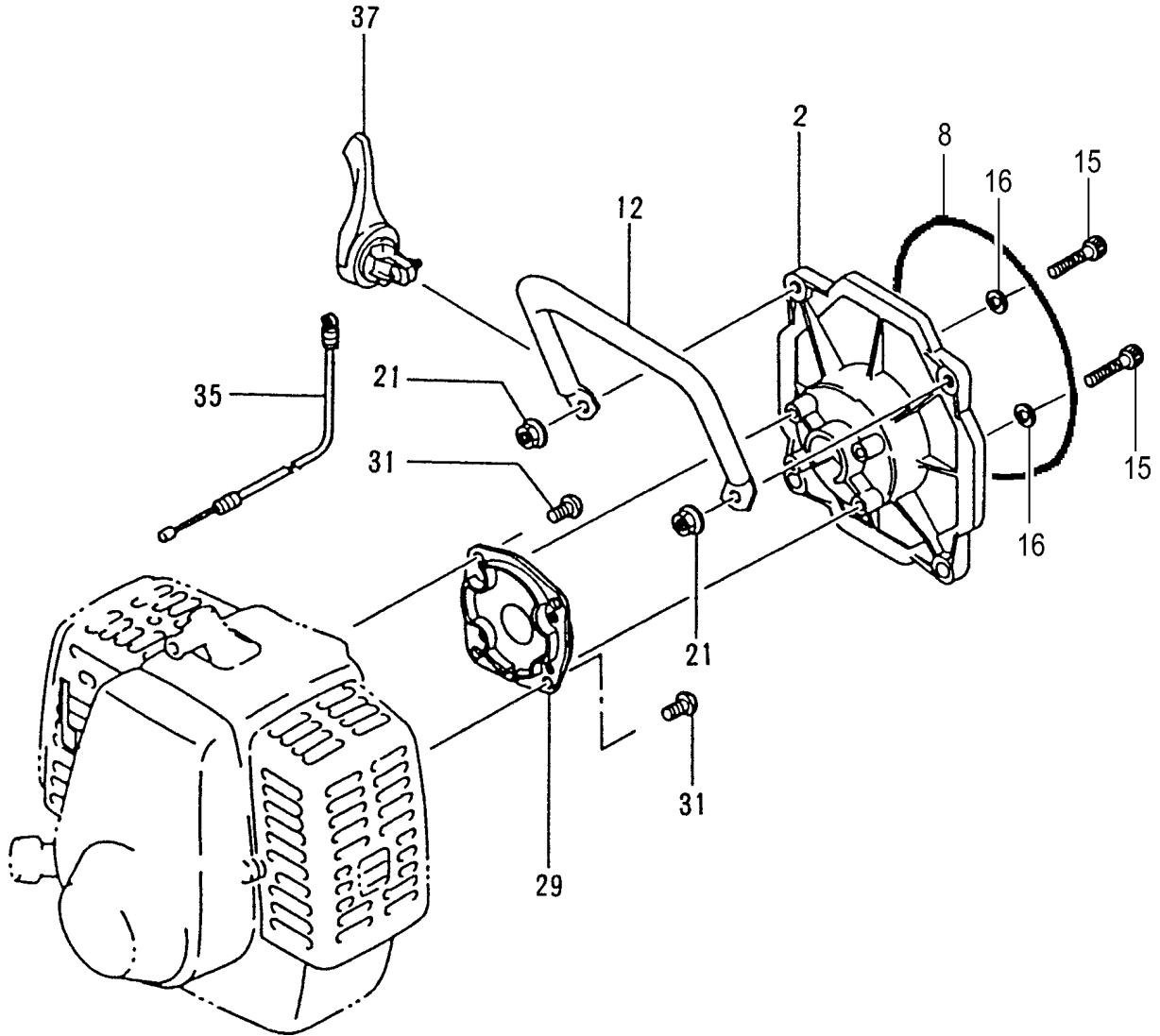


A small retainer (560-07120-20), has been added to this model after serial # A099801 to prevent the barrel end of the throttle wire from coming detached from the carburetor.



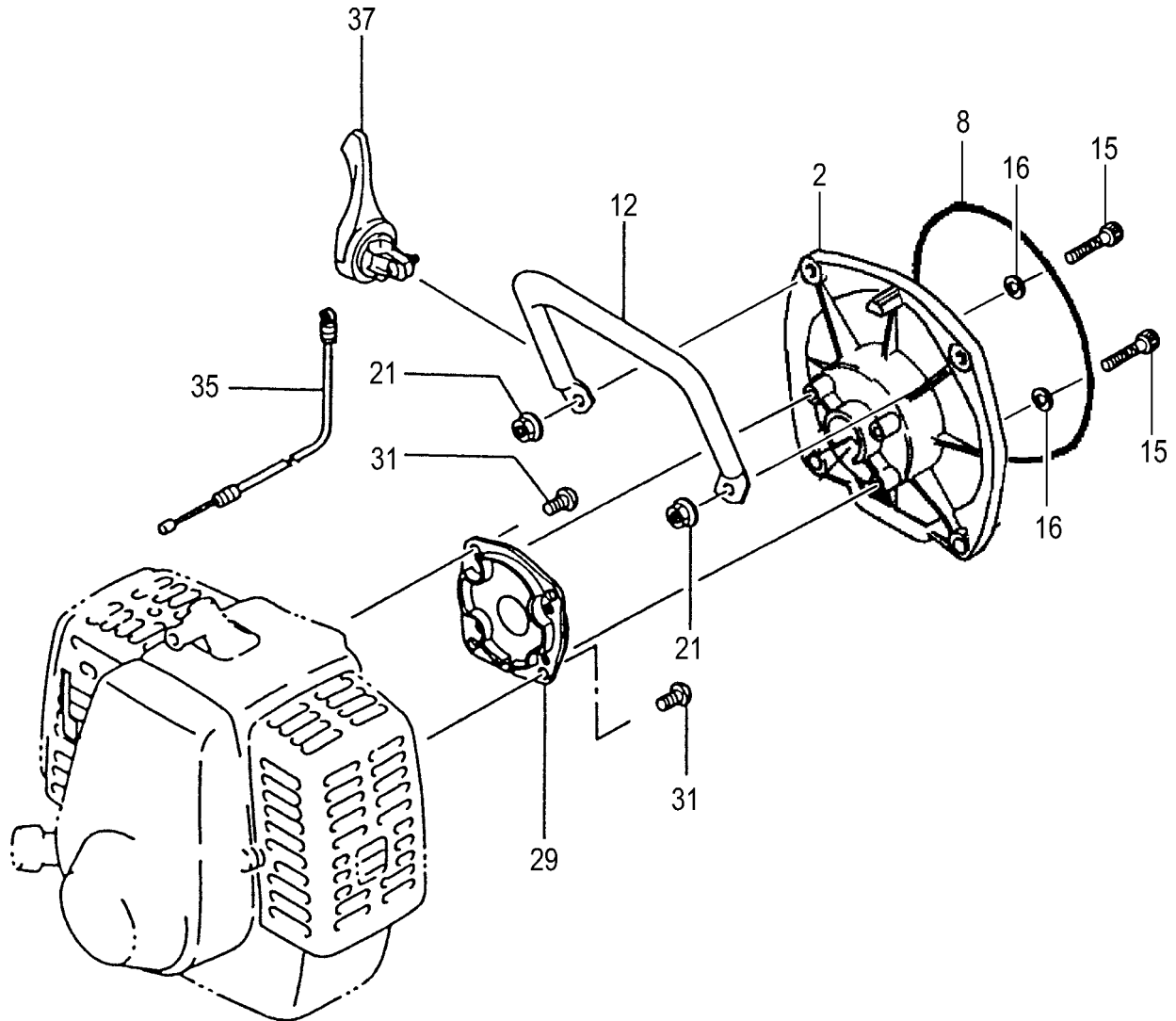
ITEM	PART NUMBER	DESCRIPTION	QTY	COMMENTS
6-0	45525146900	CARBURETOR, ASS'Y	1	~T008950
6-0	4550650A90	CARBURETOR, ASS'Y	1	T008951~
6-1	54825140200	SCREW, THROTTLE SET	2	
6-5	53925120200	SWIVEL	1	
6-7	48925100200	RING, STOP	1	
6-8	48825146800	VALVE, THROTTLE	1	~T008950
6-10	55025100200	O-RING	1	
6-11	5992000W410	JET, MAIN, #41	1	~T008950
6-11	5992000W440	JET, MAIN, #44	1	T008951~
6-13	~ ~ ~	GASKET, PUMP	1	
6-14	~ ~ ~	DIAPHRAGM, PUMP	1	
6-15	52325100201	PLATE, PUMP	1	~T008950
6-16	52225100200	PLATE, CIRCUIT	1	~T008950
6-17	57825007200	SCREEN, INLET	1	
6-18	57525140800	BODY, PUMP	1	
6-19	~ ~ ~	GASKET, DIAPHRAGM	1	~ Included in 650-25140-900 Carb Kit
6-20	~ ~ ~	DIAPHRAGM, METERING	1	(not available individually)
6-21	47625004200	COVER, DIAPHRAGM	1	
6-22	54825101200	SCREW, SET	4	
	65025140900	KIT, CARB REPAIR	1	

Units Prior to Serial Number Y081575



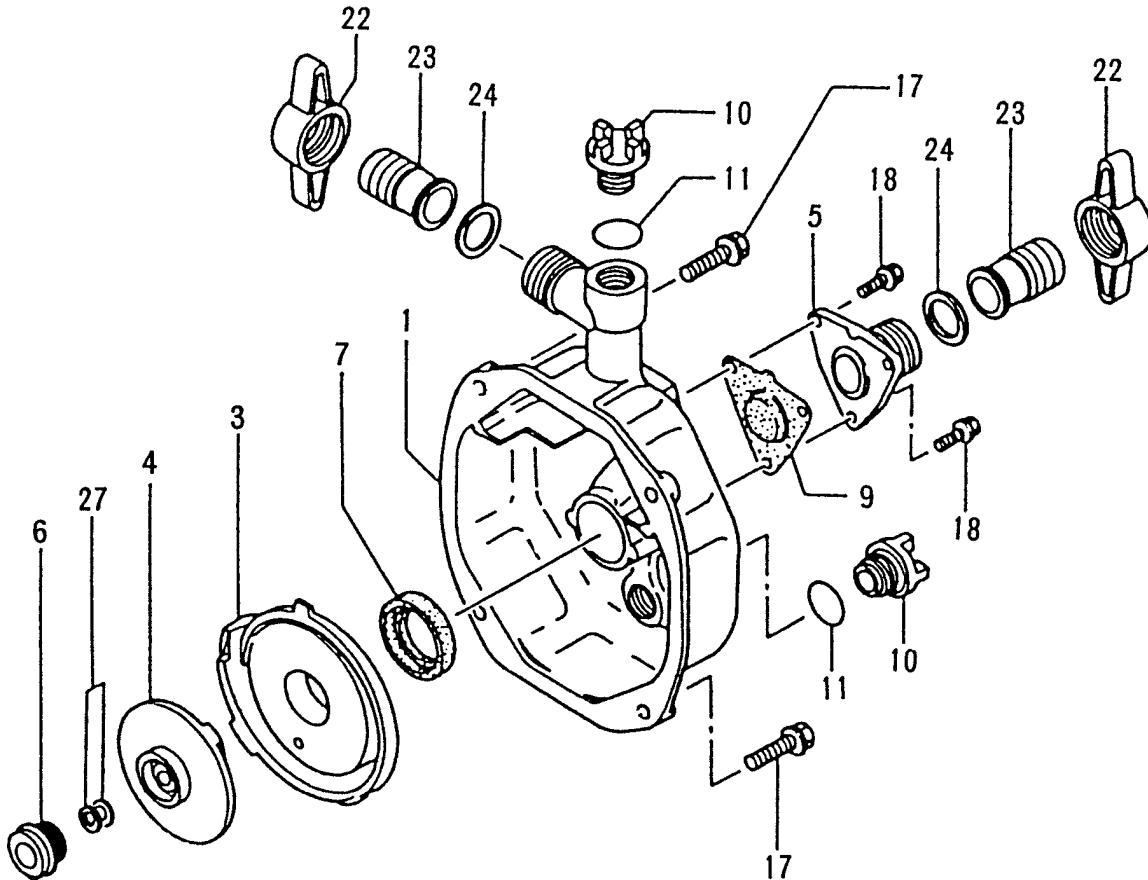
ITEM	PART NUMBER	DESCRIPTION	QTY	COMMENTS
7-2	30031240200	PLATE,END	1	~Y018575
7-8	99967151735	O-RING,1517-35	1	~Y018575
7-12	09031240200	HANDLE	1	~Y018575
7-15	99051050253	BOLT,HEX,5X25	4	~Y018575
7-16	37031240200	WASHER	4	~Y018575
7-21	99183080001	NUT,FLANGE 8	2	~Y018575
7-29	3330650A200	FLANGE,COUPLING	1	~Y018575
7-31	99414060161	SCREW,S,6X16	4	~Y018575
7-35	8850650A800	WIRE,THROTTLE	1	~Y018575
7-37	87002201910	LEVER,THROTTLE	1	~Y018575

Units After Serial Number Y081575



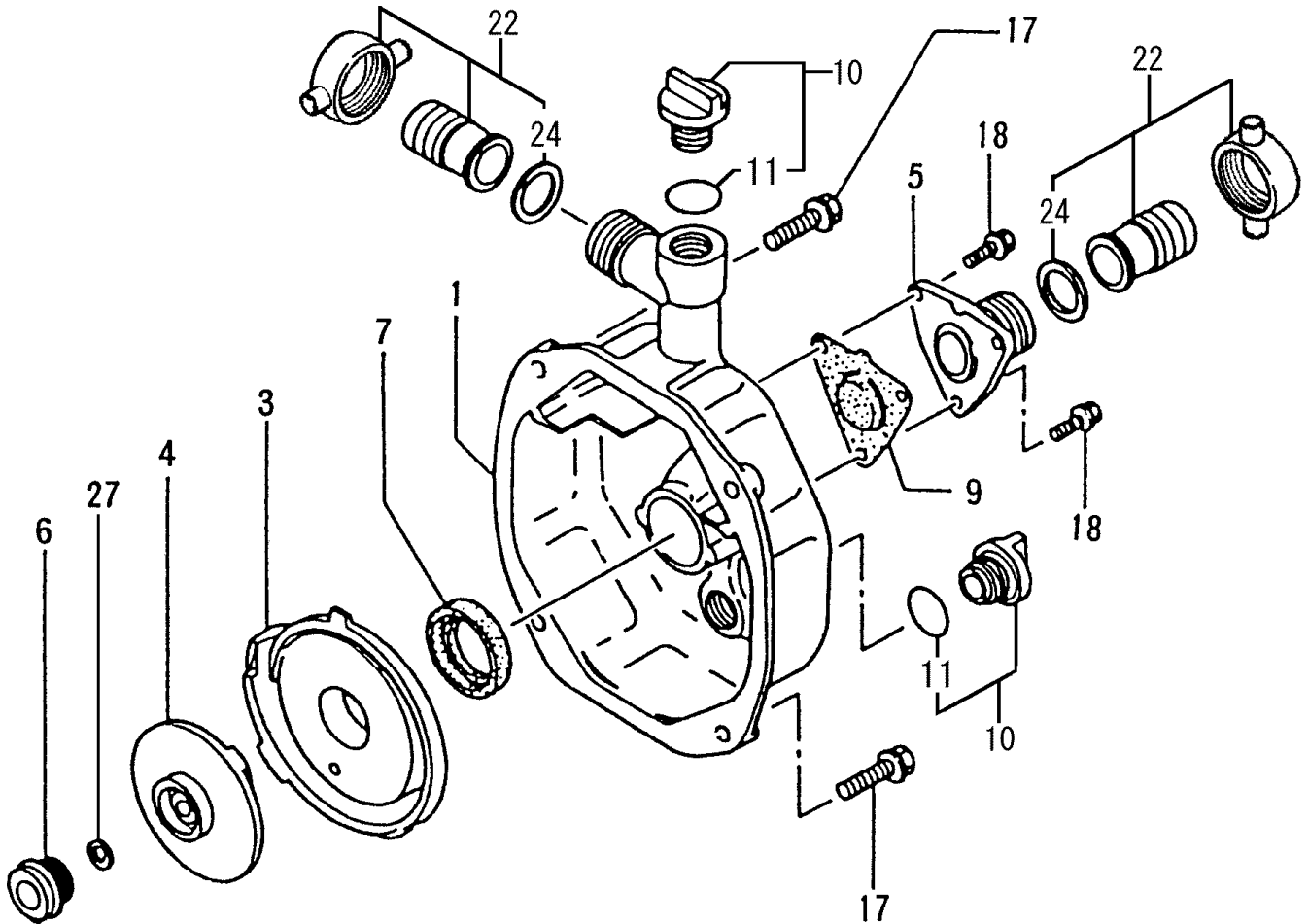
ITEM	PART NUMBER	DESCRIPTION	QTY	COMMENTS
7-2	3003124920	PLATE,END	1	Y081576~
7-8	99967140010	O-RING,G140	1	Y081576~
7-12	0903124920	HANDLE	1	Y081576~
7-15	99021050250	BOLT,5x25	4	Y081576~
7-16	3703124020	WASHER	4	Y081576~
7-21	99183080001	NUT,FLANGE 8	2	Y081576~
7-29	3330650A200	FLANGE,COUPLING	1	Y081576~
7-31	99414050161	SCREW,5X16/S	4	Y081576~
7-35	8850650A800	WIRE,THROTTLE	1	Y081576~
7-37	87002201910	LEVER,THROTTLE	1	Y081576~

Units Prior to Serial Number Y081575

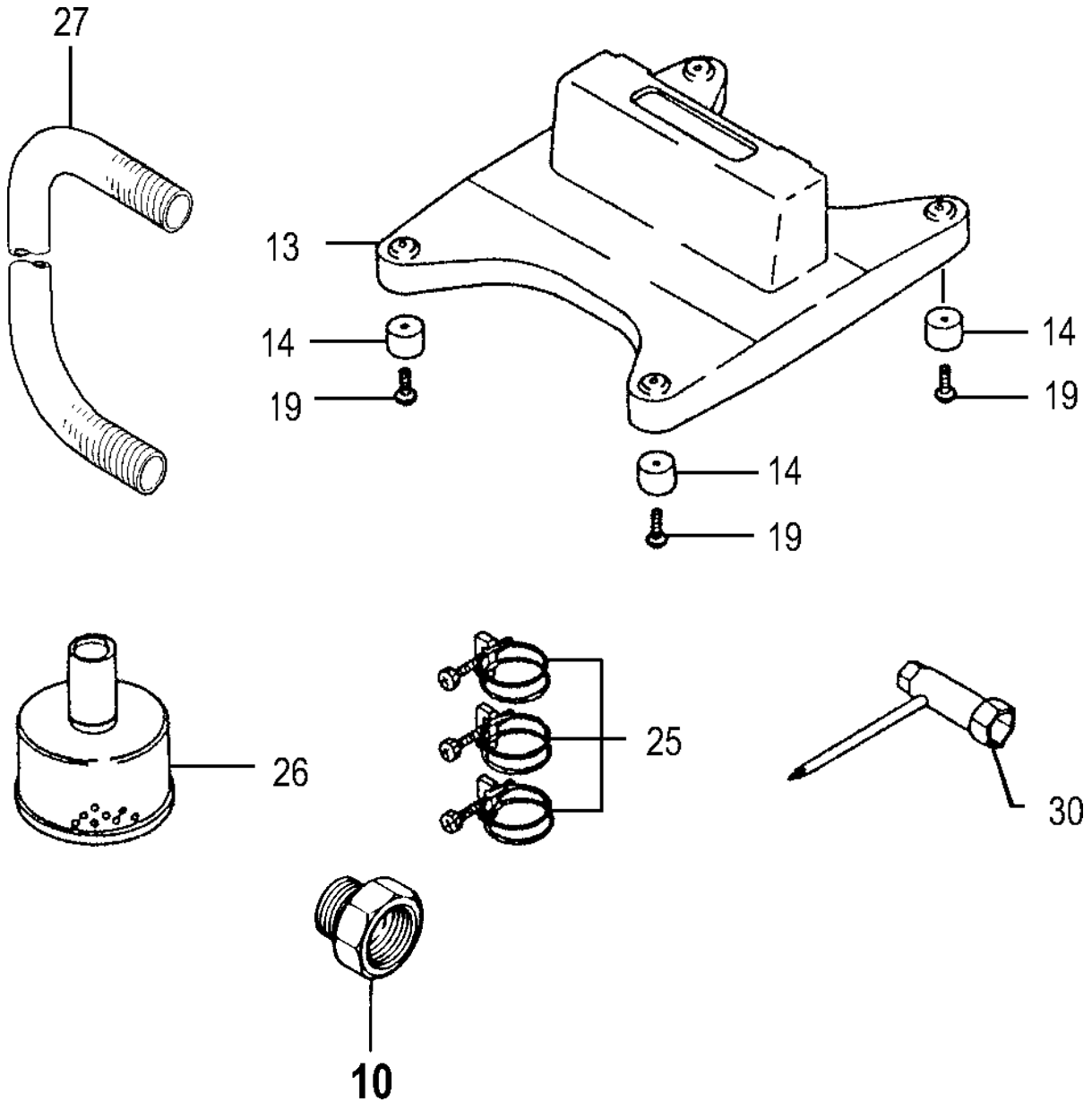


ITEM	PART NUMBER	DESCRIPTION	QTY	COMMENTS
8-1	33031240200	CASING	1	~Y081575
8-3	31031240200	CHAMBER,VOLUTE	1	~Y081575
8-4	03131240200	IMPELLER	1	~Y081575
8-5	32031240200	PLATE,SUCTION	1	~Y081575
8-6	16031240900	SEAL,MECHANICAL,ASS'Y	1	~Y081575
8-7	31131240200	GASKET,VOLUTE CHAMBER	1	~Y081575
8-9	35031240800	PACKING,SUCTION PLATE	1	~Y081575
8-10	36031240200	PLUG,PRIMING	2	~Y081575
8-11	99967024000	O-RING,P-24	2	~Y081575
8-17	99473084013	BOLT,TAPPING 8X40P	4	~Y081575
8-18	99424060201	BOLT,6X20S	3	~Y081575
8-22	05331240200	NUT,WATER COUPLING	2	~Y081575
8-23	05231240200	COUPLING,WATER,B	2	~Y081575
8-24	05431240200	GASKET,COUPLING	2	~Y081575
8-27	03431240200	SHIM,IMPELLER,0.30	1	~Y081575
8-27	03431240210	SHIM,IMPELLER,0.60	1	~Y081575

Units After Serial Number Y081575



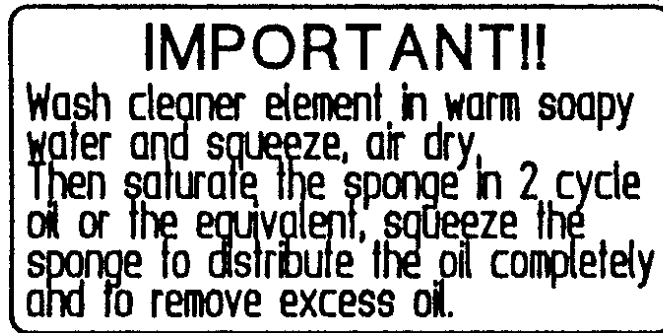
ITEM	PART NUMBER	DESCRIPTION	QTY	COMMENTS
8-1	3303124920	CASING	1	Y081576~
8-3	3103124920	CHAMBER,VOLUTE	1	Y081576~
8-4	0313124920	IMPELLER	1	Y081576~
8-5	3203124920	PLATE,SUCTION	1	Y081576~
8-6	1603124990	SEAL,MECHANICAL	1	Y081576~
8-7	31131240200	GASKET,VOLUTE CHAMBER	1	Y081576~
8-9	3503124980	PACKING,SUCTION PLATE	1	Y081576~
8-10	3603124990	PLUG,PRIMING	2	Y081576~
8-11	99967024000	O-RING,P-24	2	Y081576~
8-17	99451080350	BOLT,FLANGE,8x35	4	Y081576~
8-18	99451060160	BOLT,FLANGE,6x16	3	Y081576~
8-22	0503124990	COUPLING ASSY	2	Y081576~
8-24	0543124920	GASKET,COUPLING	2	Y081576~
8-27	03431240200	SHIM,IMPELLER,0.30	1	Y081576~
8-27	03431240210	SHIM,IMPELLER,0.60	1	Y081576~



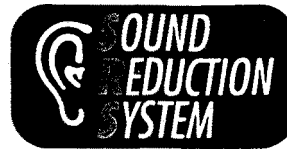
ITEM	PART NUMBER	DESCRIPTION	QTY	COMMENTS
9-10	02231221210	COUPLING	1	
9-13	08031240210	BED	1	~Y081575
9-13	0803124920	BED,A	1	Y081576~
9-14	31231240200	CUSHION,RUBBER	4	~Y081575
9-14	3123124920	CUSHION,A	4	Y081576~
9-19	99314051412	SCREW,5X14 TAPPING	4	~Y081575
9-19	99311051402	SCREW,TAPPING,5X14	4	Y081576~
9-25	13231223200	CLAMP,HOSE,33MM	4	~Y081575
9-25	13231223200	CLAMP,HOSE,33MM	3	Y081576~
9-26	10031240800	STRAINER	1	
9-27	18031200200	HOSE	1	
9-30	8292000080	SPANNER,COMBI,13X19	1	



1



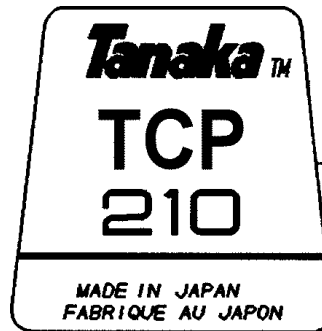
6



8



1-1



2

ITEM	PART NUMBER	DESCRIPTION	QTY	COMMENTS
10-1-1	9293210A200	DECAL,INDUSTRIAL	1	~R061252
10-1	95037900200	DECAL,PRO-FORCE A	1	R061253~
10-2	9060650A200	DECAL	1	
10-6	9083316021	DECAL,CAUTION	1	N211761~
10-8	91106500200	DECAL,SRS	1	