

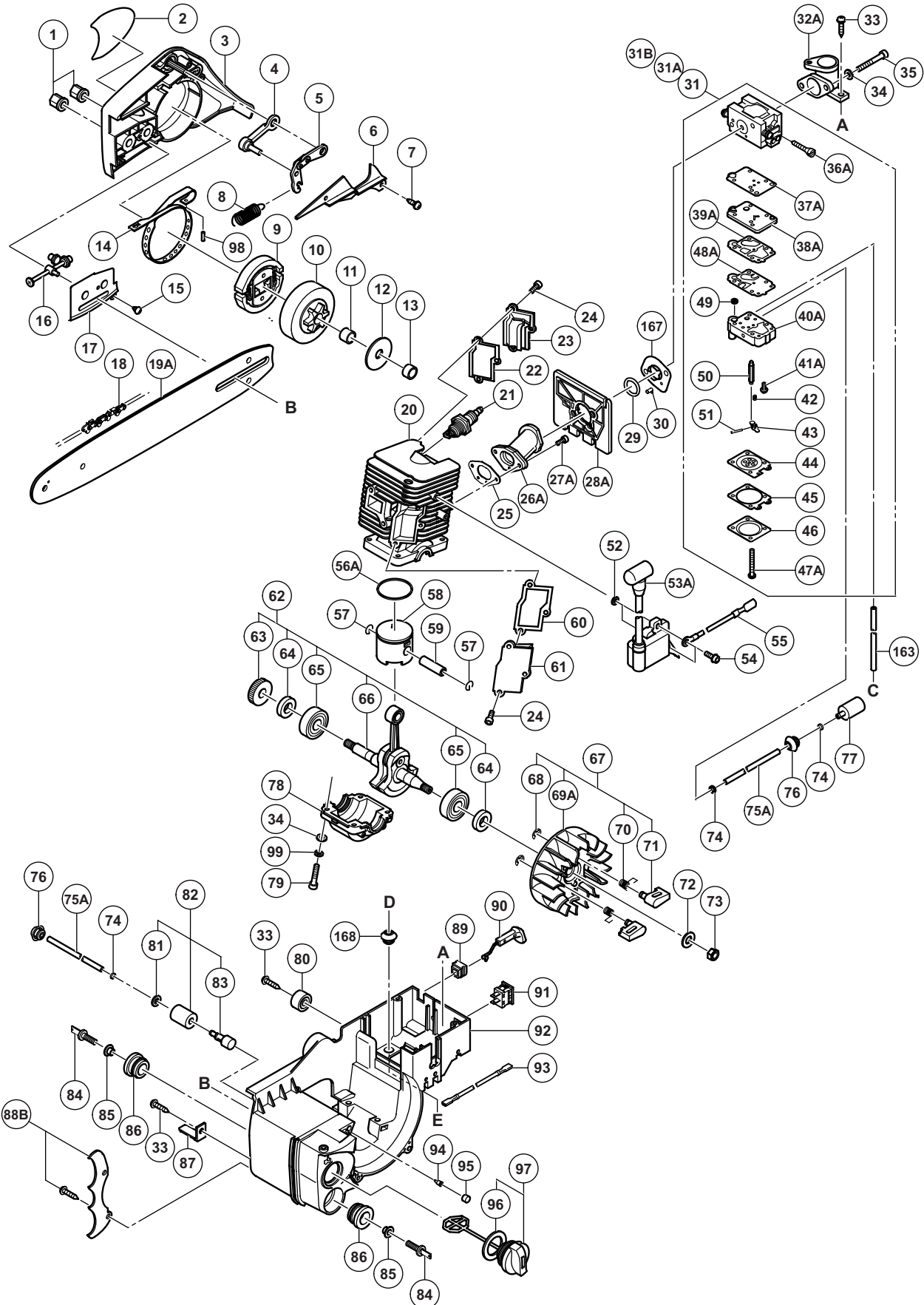
## ENGINE TOOL PARTS LIST

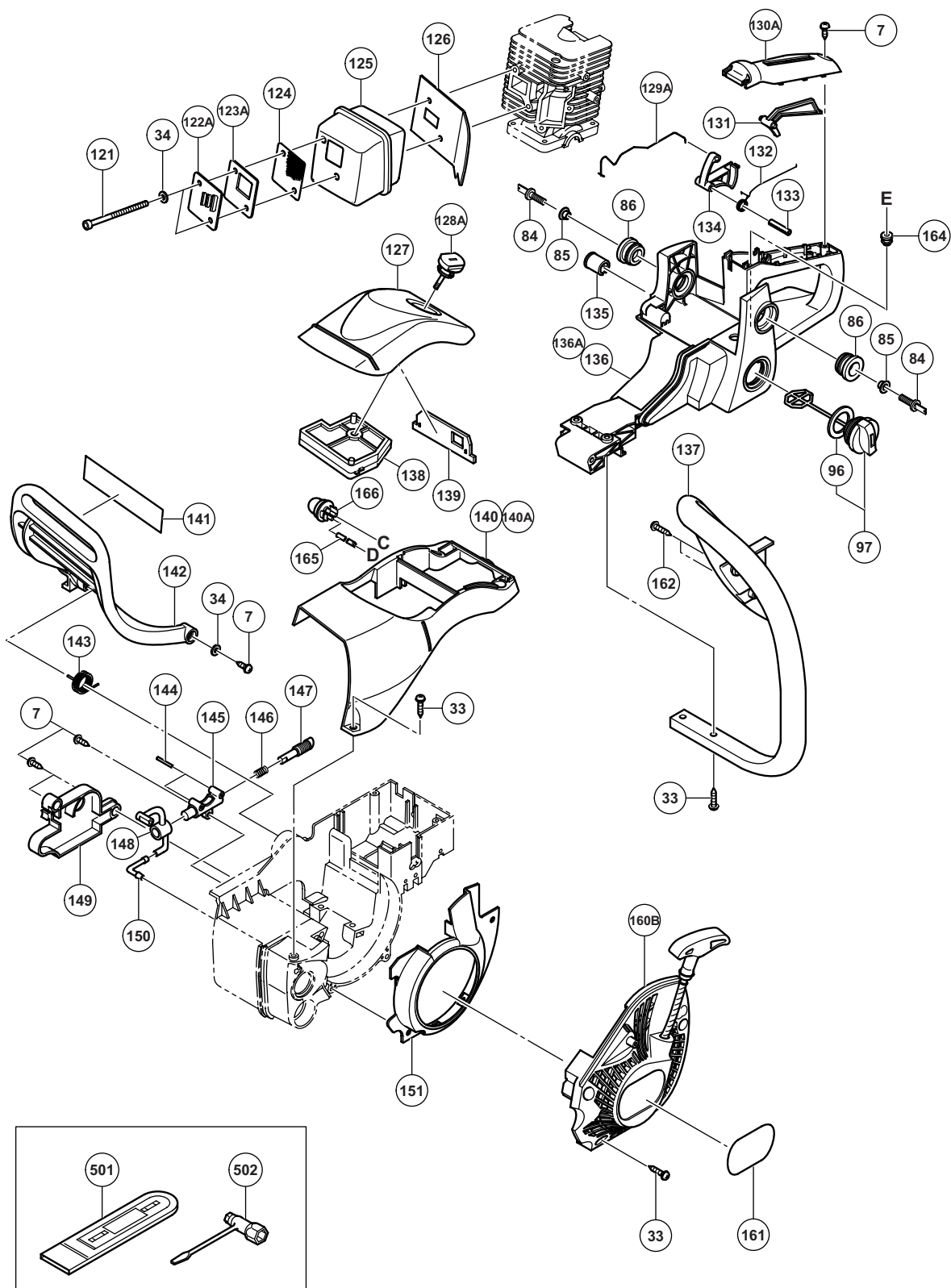
### ENGINE CHAIN SAW

2011-12-23

Model TCS 33EB (TANAKA BRAND)

(E2)





**PARTS**

TCS 33EB

ITEM NO.	CODE NO.	DESCRIPTION	NO. USED	REMARKS
	1	668-5416 CHAIN BAR CLAMP NUT	2	
*	2	669-6331 NAME PLATE	1	
*	2	669-6332 NAME PLATE	1	FOR USA, CAN, KOR
	3	668-5406 SIDE COVER SUB	1	
	4	668-5387 BRAKE SUPPORT	1	
	5	668-5388 BRAKE LINK	1	
	6	668-5392 BRAKE LINK COVER	1	
	7	305-812 TAPPING SCREW (W/FLANGE) D4 X 16 (BLACK)	7	
	8	668-5389 BRAKE SPRING	1	
	9	668-5362 CLUTCH	1	
	10	668-5403 CLUTCH HOUSING	1	
	11	668-5361 NEEDLE BEARING (D)	1	
	12	668-5414 CLUTCH WASHER	1	
	13	668-5360 CRANK SHAFT COLLAR	1	
	14	668-5390 BRAKE BAND	1	
	15	668-5415 TAPPING SCREW D3 X 8	2	
	16	668-5393 CHAIN PULLER	1	
	17	668-5394 GUIDE PLATE	1	
*	18	668-5170 SAW CHAIN (3/8 X 12") 91VG-45E	1	
*	18	668-5171 SAW CHAIN (3/8 X 14") 91VG-52E	1	
*	18	669-6330 SAW CHAIN (3/8 X 16") 91VG-57E	1	
*	19	668-5259 BAR 12 INCH	1	
*	19	668-5261 BAR 14 INCH	1	
*	19	668-5395 BAR 16 INCH	1	
*	19A	669-6993 CHAIN BAR 12 INCH 3/8 SPROCKET PRC	1	
*	19A	669-6994 CHAIN BAR 14 INCH 3/8 SPROCKET PRC	1	
*	20	668-5405 CYLINDER (B)	1	
*	20	668-5404 CYLINDER (A)	1	FOR EUROPE, USA, CAN
*	21	668-5086 SPARK PLUG BPMR6A	1	
*	21	668-5085 SPARK PLUG BPM6A	1	EXCEPT FOR EUROPE, AUS
*	22	668-5317 COVER PACKING (B)	1	FOR EUROPE, USA, CAN
*	23	668-5315 SCAVENGING COVER (B)	1	FOR EUROPE, USA, CAN
*	24	669-6315 SEAL LOCK HEX. SOCKET HD. BOLT M4 X 8	6	FOR EUROPE, USA, CAN
	25	668-5318 INTAKE PACKING	1	
	26A	669-8897 INTAKE (A)	1	
	27A	669-6860 SEAL LOCK HEX. SOCKET HD. BOLT M4 X 10	2	
	28A	669-8898 CARBURETOR INSULATOR (A)	1	
	29	669-6316 O-RING	1	
	30	668-5321 PULSE GUIDE	1	
*	31	668-5435 CARBURETOR ASS'Y (B) WLB-1A	1	INCLUD. 36-51
*	31A	668-5437 CARBURETOR (C) WLB-3	1	INCLUD. 36-51 FOR EUROPE, USA, CAN, AUS
*	31B	669-8683 CARBURETOR ASS'Y (E) WLB-5	1	INCLUD. 37-39, 41-81 SINCE 5. 2011 FOR EUROPE, USA, CAN
	32A	669-6843 CLEANER SUPPORT	1	
	33	302-089 TAPPING SCREW (W/FLANGE) D5 X 20 (BLACK)	12	
	34	668-5408 WASHER 5	9	
	35	669-6317 HEX. SOCKET HD. BOLT M5 X 45	2	
	36A	669-6318 IDLE ADJUSTING SCREW	1	
	37A	669-6319 PASSAGE GASKET	1	
	38A	669-6320 PASSAGE PLATE	1	
	39A	668-4692 PUMP GASKET	1	

**PARTS**

TCS 33EB

ITEM NO.	CODE NO.	DESCRIPTION	NO. USED	REMARKS
40A	669-6322	PUMP BODY	1	
41A	669-1305	HINGE PIN SET SCREW	1	
42	669-6323	METERING LEVER SPRING	1	
43	668-5217	CONTROL LEVER	1	
44	668-4690	METERING DIAPHRAGM	1	
45	668-5220	DIAPHRAGM PACKING-METERING	1	
46	668-5222	DIAPHRAGM COVER-METERING	1	
47A	668-4699	SET SCREW	4	
48A	668-4693	PUMP DIAPHRAGM	1	
49	668-4700	INLET SCREEN	1	
50	668-5215	NEEDLE VALVE	1	
51	668-5219	HINGE PIN	1	
52	668-4600	WASHER T1.6	2	
53A	668-5333	IGNITION COIL (FL33F)	1	
54	669-6326	HEX. SOCKET HD. BOLT (W/FLANGE) M4 X 18	2	
55	668-5338	CORD (B)	1	
56A	668-5331	PISTON RING (XR1-1856)	1	
57	668-5326	CIRCLIP	2	
* 58	668-5325	PISTON	1	
* 58	669-6313	PISTON	1	FOR EUROPE, USA, CAN
59	668-5327	PISTON PIN	1	
* 60	668-5316	COVER PACKING (A)	1	FOR EUROPE, USA, CAN
* 61	668-5314	SCAVENGING COVER (A)	1	FOR EUROPE, USA, CAN
62	668-5396	CRANK WORM ASS'Y	1	INCLUD. 63-66
63	668-5330	WORM	1	
64	668-5329	OIL SEAL	2	
65	668-5328	BALL BEARING	2	
66	668-5324	CRANK SHAFT	1	
67	668-5418	MAGNETO SUB ASS'Y	1	INCLUD. 68-71
68	668-5336	RETAINING RING D4	2	
69A	668-5332	MAGNETO ROTOR (FLZ33C)	1	
70	668-5335	STARTER PAWL SPRING	2	
71	668-5334	STARTER PAWL	2	
72	668-5410	BOLT WASHER D8	1	
73	668-5337	FLYWHEEL NUT	1	
74	668-5311	CLIP	3	
75A	669-8715	FUEL PIPE	2	
76	668-5308	FUEL GROMMET (A)	2	
77	668-5199	PUMP FILTER BODY	1	
78	668-5339	CRANK CASE	1	
79	668-5412	SEAL LOCK HEX. SOCKET HD. BOLT M5	4	
80	668-5313	DAMPER (B)	1	
81	668-5407	BOLT WASHER D5	1	
82	668-5249	OIL FILTER BODY ASS'Y	1	INCLUD. 81, 83
83	668-5310	OIL FILTER BODY	1	
84	668-5413	DAMPER SET BOLT	4	
85	696-314	DISTANCE PIECE (B)	4	
86	669-6327	DAMPER (A)	4	
87	668-5363	CHAIN CATCHER	1	
* 88B	669-6329	SPIKE SET	1	FOR EUROPE, AUS

## PARTS

TCS 33EB

ITEM NO.	CODE NO.	DESCRIPTION	NO. USED	REMARKS
89	668-5369	CHOKE ROD RUBBER	1	
90	668-5368	CHOKE BUTTON	1	
91	668-5364	STOP SWITCH	1	
92	668-5307	ENGINE CASE	1	
93	668-5365	CORD (A)	1	
94	668-5370	AIR VENT VALVE (B)	1	
95	668-5371	AIR VENT SPONGE	1	
96	668-5386	TANK CAP PACKING	2	
97	668-5384	FUEL TANK CAP ASS'Y	2	INCLUD. 96
98	668-5391	NEEDLE ROLLER D3	1	
99	949-454	SPRING WASHER M5 (10 PCS.)	4	
121	669-6328	SEAL LOCK HEX. SOCKET HD. BOLT M5 X 75	2	
* 122A	669-6861	EXHAUST PIPE	1	FOR EUROPE, USA, CAN, AUS
* 123A	669-6862	GAUZE FIXING PLATE	1	FOR USA, CAN, AUS
* 124	668-5344	MUFFLER GAUZE	1	FOR USA, CAN, AUS
* 125	668-5341	MUFFLER	1	
* 125	668-5340	MUFFLER	1	FOR EUROPE, USA, CAN
* 125	668-5342	MUFFLER	1	FOR AUS
126	668-5346	MUFFLER PACKING	1	
127	668-5382	CLEANER COVER	1	
128A	669-6849	CLEANER KNOB	1	
129A	669-6846	THROTTLE ROD	1	
130A	669-8805	REAR HANDLE GRIP	1	
131	668-5350	TRIGGER LOCKOUT (VERMILION)	1	
132	668-5349	THROTTLE LEVER SPRING	1	
133	668-5282	SPRING PIN 5 X 25	1	
134	668-5348	THROTTLE LEVER	1	
135	668-5351	INNER CAP	1	
* 136	668-5347	REAR HANDLE	1	
* 136A	669-8685	REAR HANDLE	1	SINCE 5. 2011 FOR EUROPE, USA, CAN
137	668-5375	FRONT HANDLE	1	
138	668-5378	CLEANER ELEMENT	1	
139	668-5381	SHUTTER PLATE	1	
* 140	668-5376	CYLINDER COVER	1	
* 140	668-5377	CYLINDER COVER	1	FOR EUROPE, USA, CAN
* 140A	669-8687	CYLINDER COVER	1	SINCE 5. 2011 FOR EUROPE, USA, CAN
* 141	669-6333	CAUTION LABEL (A)	1	
* 141	669-6334	CAUTION LABEL (C)	1	FOR USA, CAN
* 141	669-6335	CAUTION LABEL (D)	1	FOR AUS
* 141	669-6336	CAUTION LABEL (E)	1	FOR ASIA
142	668-5373	BRAKE HANDLE	1	
143	668-5374	BRAKE LEVER SPRING	1	
144	668-5356	NEEDLE ROLLER 2.5 X 19.8	2	
145	668-5353	PUMP CASE	1	
146	668-5355	PUMP GEAR SPRING	1	
147	668-5354	PUMP GEAR	1	
148	668-5357	OIL PIPE	1	
149	668-5359	PUMP COVER	1	
150	668-5358	PIPE JOINT	1	
151	668-5372	AIR DEFLECTOR	1	

