

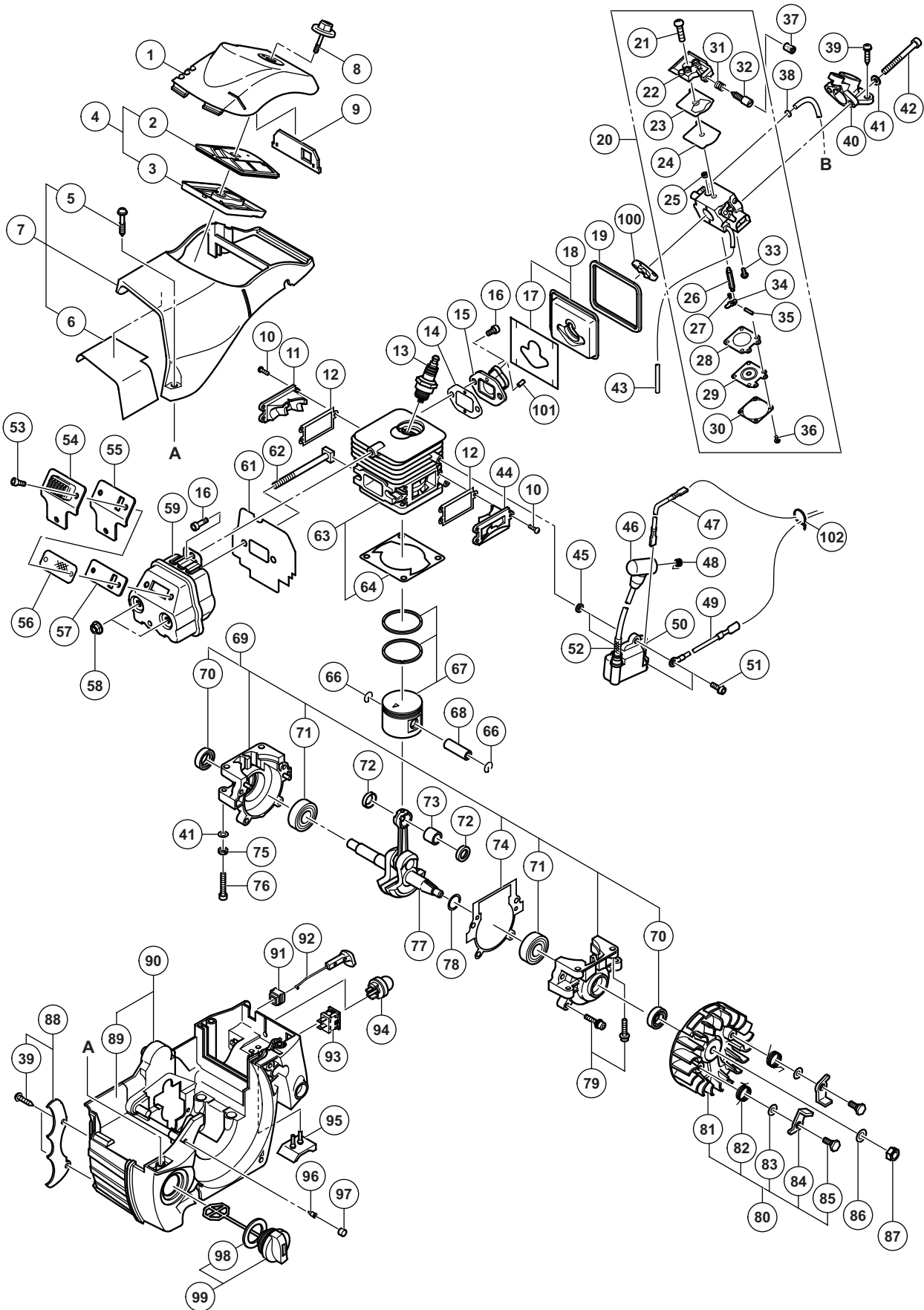
ENGINE TOOL PARTS LIST

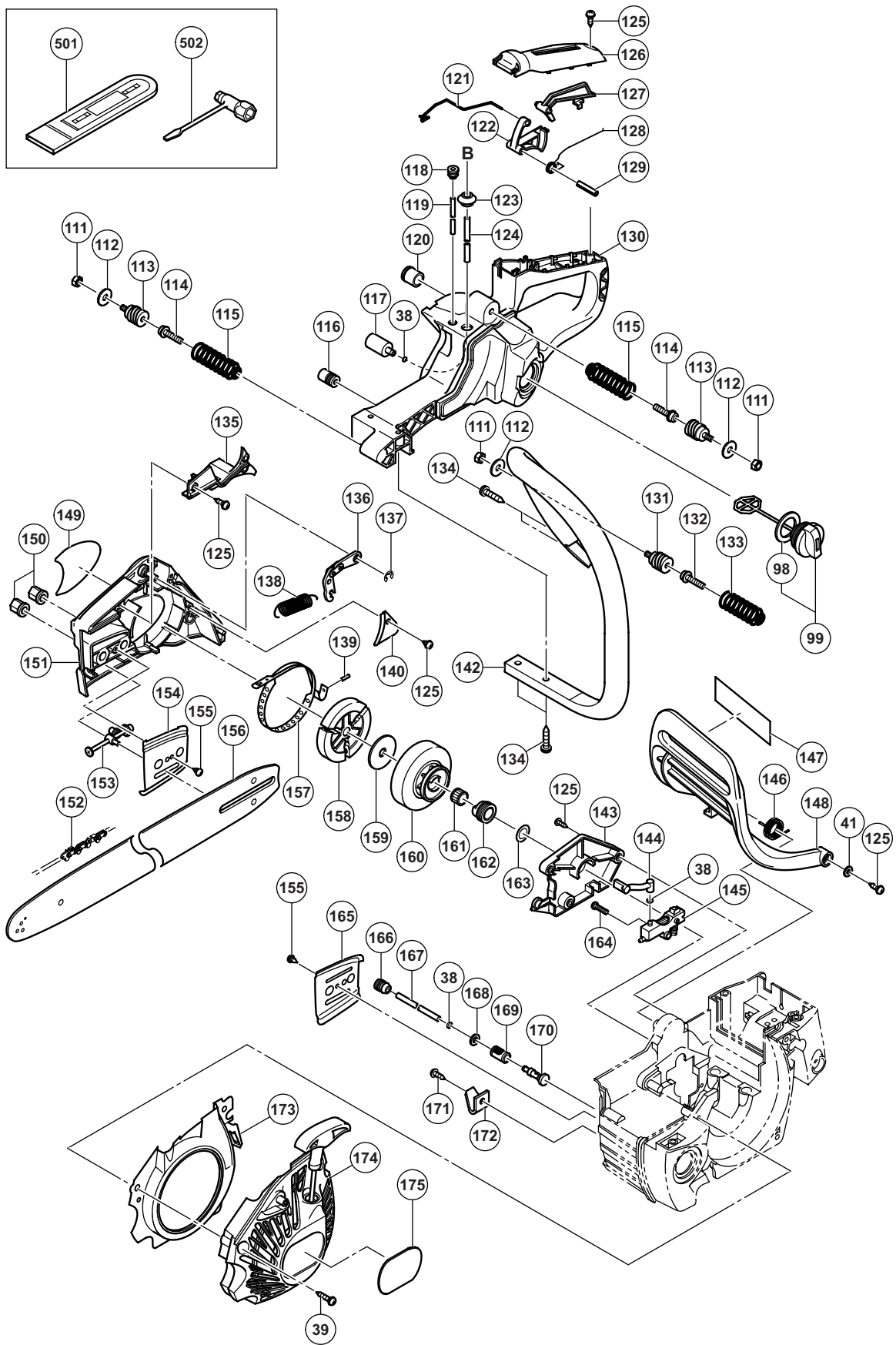
ENGINE CHAIN SAW

2010-12-2

Model TCS 40EA (TANAKA BRAND)

(E1)





PARTS

TCS 40EA

| ITEM NO. | CODE NO. | DESCRIPTION | NO. USED | REMARKS |
|----------|----------|--|----------|-----------------------------------|
| 1 | 669-8424 | CLEANER COVER | 1 | |
| 2 | 669-6908 | CLEANER ELEMENT (B) | 1 | |
| 3 | 669-6907 | CLEANER ELEMENT (A) | 1 | |
| 4 | 669-6891 | CLEANER ELEMENT ASS'Y | 1 | INCLUD. 2, 3 |
| 5 | 669-6903 | COVER SET BOLT | 3 | |
| 6 | 669-8520 | ALUMINUM TAPE (A) | 1 | |
| * 7 | 669-8462 | CYLINDER COVER ASS'Y | 1 | INCLUD. 5, 6 |
| * 7 | 669-8519 | CYLINDER COVER ASS'Y | 1 | INCLUD. 5, 6 FOR EUROPE, USA, CAN |
| 8 | 669-8425 | CLEANER KNOB (VERMILION) | 1 | |
| 9 | 669-6904 | SHUTTER PLATE | 1 | |
| 10 | 669-6835 | SEAL LOCK SCREW M4 X 10 | 6 | |
| 11 | 669-8407 | SCAVENGING COVER(B) | 1 | |
| 12 | 669-6852 | COVER PACKING | 2 | |
| 13 | 668-5782 | SPARK PLUG BPMR7A | 1 | |
| 14 | 669-6895 | INTAKE PACKING | 1 | |
| 15 | 669-8419 | INTAKE | 1 | |
| 16 | 669-6836 | HEX. SOCKET HD. BOLT M5 X 12 (PRECOTE) | 3 | |
| 17 | 669-8524 | ALUMINUM TAPE (B) | 1 | |
| 18 | 669-8461 | CARBURETOR INSULATOR ASS'Y | 1 | INCLUD. 17 |
| 19 | 669-6896 | CARB. INSULATOR RUBBER | 1 | |
| 20 | 669-8433 | CARBURETOR ASS'Y | 1 | INCLUD. 21-36 |
| 21 | 668-5210 | SCREW | 1 | |
| 22 | | PUMP BODY | 1 | |
| 23 | 668-5212 | PUMP GASKET | 1 | |
| 24 | 668-5213 | PUMP DIAPHRAGM | 1 | |
| 25 | 668-4700 | INLET SCREEN | 1 | |
| 26 | 668-5215 | NEEDLE VALVE | 1 | |
| 27 | 669-0873 | VALVE SPRING | 1 | |
| 28 | 668-5220 | DIAPHRAGM PACKING | 1 | |
| 29 | 668-4690 | METERING DIAPHRAGM COMP. | 1 | |
| 30 | 668-5222 | DIAPHRAGM COVER | 1 | |
| 31 | 669-0766 | IDLE ADJUST SPRING | 1 | |
| 32 | 668-5298 | IDLE ADJUST SCREW | 1 | |
| 33 | 668-5218 | HINGE PIN SET SCREW | 1 | |
| 34 | 668-5217 | CONTROL LEVER | 1 | |
| 35 | 668-5219 | HINGE PIN | 1 | |
| 36 | 668-5223 | SET SCREW | 4 | |
| 37 | 668-5224 | IDLE SPONGE | 1 | |
| 38 | 668-5311 | CLIP | 4 | |
| 39 | 302-089 | TAPPING SCREW (W/FLANGE) D5 X 20 (BLACK) | 6 | |
| 40 | 669-8427 | CLEANER SUPPORT | 1 | |
| 41 | 668-5408 | WASHER 5 | 7 | |
| 42 | 669-6317 | HEX. SOCKET HD. BOLT M5 X 45 | 2 | |
| 43 | 669-8434 | FUEL PIPE | 1 | |
| 44 | 669-8406 | SCAVENGING COVER (A) | 1 | |
| 45 | 668-4600 | WASHER | 2 | |
| 46 | 669-8435 | PLUG CAP | 1 | |
| 47 | 669-6840 | CORD (C) | 1 | |
| 48 | 669-8436 | METAL FITTING OF PLUG CAP | 1 | |
| 49 | 669-6837 | CORD (B) | 1 | |

PARTS

TCS 40EA

| ITEM NO. | CODE NO. | DESCRIPTION | NO. USED | REMARKS |
|----------|----------|--|----------|----------------------|
| 50 | 669-6841 | IGNITION COIL ASS'Y | 1 | INCLUD. 47, 49, 102 |
| 51 | 669-6326 | HEX. SOCKET HD. BOLT (W/FLANGE) M4 X 18 | 2 | |
| 52 | 669-8457 | CORD INSULATION TUBE | 1 | |
| 53 | 949-812 | HEX. SOCKET HD. BOLT M4 X 10 (10 PCS.) | 3 | |
| 54 | 669-8458 | MUFFLER PROTECTOR | 1 | |
| 55 | 669-8459 | MUFFLER PROTECTOR PACKING | 1 | |
| 56 | 669-6874 | MUFFLER GAUZE | 1 | |
| 57 | 669-8460 | EXHAUST PLATE | 1 | |
| 58 | 329-934 | FLANGE NUT M6 | 2 | |
| * 59 | 669-8411 | MUFFLER | 1 | |
| * 59 | 669-8410 | MUFFLER | 1 | FOR EUROPE, USA, CAN |
| 61 | 669-8412 | MUFFLER PACKING | 1 | |
| 62 | 669-8437 | SQUARE HEAD BOLT M6 | 2 | |
| 63 | 669-8430 | CYLINDER ASS'Y | 1 | INCLUD. 64 |
| 64 | 669-6864 | CYLINDER PACKING | 1 | |
| 66 | 669-6854 | CIR CLIP | 2 | |
| 67 | 669-8526 | PISTON | 1 | |
| 68 | 669-6855 | PISTON PIN | 1 | |
| 69 | 669-8441 | CRANK CASE SET | 1 | INCLUD. 70, 71, 74 |
| 70 | 668-4607 | OIL SEAL TB 12227 | 2 | |
| 71 | 668-5328 | BALL BEARING | 2 | |
| 72 | 669-6856 | PISTON PIN COLLAR | 2 | |
| 73 | 669-8445 | NEEDLE BEARING (A) | 1 | |
| 74 | 669-6863 | CRANK CASE PACKING | 1 | |
| 75 | 949-454 | SPRING WASHER M5 (10 PCS.) | 4 | |
| 76 | 668-5412 | SEAL LOCK HEX. SOCKET HD. BOLT M5 | 4 | |
| 77 | 669-6853 | CRANK SHAFT | 1 | |
| * 78 | 669-6865 | SHIM | 1 | T0.2 |
| * 78 | 669-6866 | SHIM | 1 | T0.3 |
| * 78 | 669-6867 | SHIM | 1 | T0.4 |
| 79 | 305-583 | HEX. SOCKET HD. BOLT (W/SP.WASHER) M5 X 20 | 8 | |
| 80 | 669-8414 | MAGNETO SUB ASS'Y | 1 | INCLUD. 81-85 |
| 81 | 669-8415 | MAGNETO ROTOR | 1 | |
| 82 | 669-8417 | STARTER PAWL SPRING | 2 | |
| 83 | 669-6857 | WASHER 0.8 | 2 | |
| 84 | 669-6877 | STARTER PAWL | 2 | |
| 85 | 669-6878 | STEP BOLT | 2 | |
| 86 | 669-6880 | BOLT WASHER D7 | 1 | |
| 87 | 669-6879 | FLYWHEEL NUT | 1 | |
| 88 | 669-6329 | SPIKE SET | 1 | INCLUD. 39 |
| 89 | 669-8523 | ALUMINUM TAPE | 1 | |
| 90 | 669-8448 | ENGINE CASE SUB ASS'Y | 1 | INCLUD. 89 |
| 91 | 668-5369 | CHOKE ROD RUBBER | 1 | |
| 92 | 669-8463 | CHOKE BUTTON | 1 | |
| 93 | 668-5364 | STOP SWITCH | 1 | |
| 94 | 668-5139 | PRIMING PUMP COMP. | 1 | |
| 95 | 669-6870 | REAR DAMPER | 1 | |
| 96 | 668-5370 | AIR VENT VALVE (B) | 1 | |
| 97 | 668-5371 | AIR VENT SPONGE | 1 | |
| 98 | 668-5386 | TANK CAP PACKING | 2 | |

PARTS

TCS 40EA

| ITEM NO. | CODE NO. | DESCRIPTION | NO. USED | REMARKS |
|----------|----------|--|----------|------------|
| 99 | 668-5384 | FUEL TANK CAP ASS'Y | 2 | INCLUD. 98 |
| 100 | 668-5202 | INLET MANIFOLD SPACER | 1 | |
| 101 | 669-6842 | PULSE GUIDE | 1 | |
| 102 | 669-6839 | WIRE BAND | 1 | |
| 111 | 669-8449 | NUT M6 | 3 | |
| 112 | 949-432 | BOLT WASHER M6 (10 PCS.) | 3 | |
| 113 | 669-8409 | SPRING HOLDER | 2 | |
| 114 | 669-6872 | FLANGED TAPPING SCREW D6 | 2 | |
| 115 | 669-8408 | ANTIVIBRATION SPRING | 2 | |
| 116 | 669-6873 | FRONT DAMPER | 1 | |
| 117 | 668-5199 | PUMP FILTER BODY | 1 | |
| 118 | 669-6970 | RETURN GROMMET | 1 | |
| 119 | 669-8401 | FUEL PIPE (PINK) | 1 | |
| 120 | 668-5351 | INNER CAP | 1 | |
| 121 | 669-8420 | THROTTLE ROD | 1 | |
| 122 | 669-8451 | THROTTLE LEVER (VERMILION) | 1 | |
| 123 | 668-5308 | FUEL GROMMET(A) | 1 | |
| 124 | 669-8522 | FUEL PIPE | 1 | |
| 125 | 305-812 | TAPPING SCREW (W/FLANGE) D4 X 16 (BLACK) | 9 | |
| 126 | 668-5367 | REAR HANDLE GRIP | 1 | |
| 127 | 668-5350 | TRIGGER LOCKOUT (VERMILION) | 1 | |
| 128 | 669-6838 | THROTTLE LEVER SPRING | 1 | |
| 129 | 668-5282 | SPRING PIN 5 X 25 | 1 | |
| 130 | 669-6871 | REAR HANDLE | 1 | |
| 131 | 669-8429 | SPRING HOLDER | 1 | |
| 132 | 881-722 | HEX. SOCKET HD. BOLT (W/FLANGE) M6 X 20 | 1 | |
| 133 | 669-8428 | ANTIVIBRATION SPRING | 1 | |
| 134 | 305-558 | TAPPING SCREW (W/FLANGE) D5 X 25 (BLACK) | 4 | |
| 135 | 669-8527 | BRAKE LINK COVER | 1 | |
| 136 | 668-5388 | BRAKE LINK | 1 | |
| 137 | 955-479 | RETAINING RING (E-TYPE) FOR D6 SHAFT | 1 | |
| 138 | 669-6900 | BRAKE SPRING | 1 | |
| 139 | 668-5391 | NEEDLE ROLLER D3 | 1 | |
| 140 | 669-8528 | BRAKE BAND PLATE | 1 | |
| 142 | 669-8426 | FRONT HANDLE | 1 | |
| 143 | 669-6893 | OIL PUMP COVER | 1 | |
| 144 | 669-6892 | OIL PIPE | 1 | |
| 145 | 669-6887 | OIL PUMP | 1 | |
| 146 | 668-5374 | BRAKE LEVER SPRING | 1 | |
| 147 | | CAUTION LABEL | 1 | |
| 148 | 668-5373 | BRAKE HANDLE | 1 | |
| 149 | | NAME PLATE | 1 | |
| 150 | 668-5416 | CHAIN BAR CLAMP NUT | 2 | |
| 151 | 669-8422 | SIDE CASE SUB (VERMILION) | 1 | |
| * 152 | 668-7270 | SAW CHAIN 13 INCH | 1 | |
| * 152 | 668-7335 | SAW CHAIN 15 INCH | 1 | |
| * 152 | 668-7296 | SAW CHAIN 16 INCH | 1 | |
| * 152 | 668-7284 | SAW CHAIN 18 INCH | 1 | |
| 153 | 668-5393 | CHAIN PULLER | 1 | |
| 154 | 669-6902 | GUIDE PLATE (B) | 1 | |

PARTS

TCS 40EA

| ITEM NO. | CODE NO. | DESCRIPTION | NO. USED | REMARKS |
|----------|----------|---------------------------------|----------|---------|
| 155 | 668-5415 | TAPPING SCREW D3 X 8 | 2 | |
| * 156 | 669-6913 | CHAIN BAR 13 INCH MICRO-LITE | 1 | |
| * 156 | 669-6914 | CHAIN BAR 15 INCH | 1 | |
| * 156 | 669-6915 | CHAIN BAR 16 INCH | 1 | |
| * 156 | 669-6916 | CHAIN BAR 18 INCH MICRO-LITE | 1 | |
| 157 | 669-8423 | BRAKE BAND | 1 | |
| 158 | 669-6883 | CLUTCH | 1 | |
| 159 | 669-6882 | CLUTCH WASHER (B) | 1 | |
| 160 | 669-6881 | CLUTCH HOUSING | 1 | |
| 161 | 669-6884 | NEEDLE BEARING | 1 | |
| 162 | 669-6886 | WORM | 1 | |
| 163 | 669-6885 | WASHER | 1 | |
| 164 | 949-219 | MACHINE SCREW M4 X 16 (10 PCS.) | 1 | |
| 165 | 669-6898 | GUIDE PLATE (A) | 1 | |
| 166 | 669-6868 | OIL GROMMET (A) | 1 | |
| 167 | 669-8453 | FUEL PIPE | 1 | |
| 168 | 668-5407 | BOLT WASHER D5 | 1 | |
| 169 | 669-8455 | OIL FILTER | 1 | |
| 170 | 669-8536 | OIL FILTER BODY | 1 | |
| 171 | 669-8456 | FLANGED TAPPING SCREW D5 X 15 | 1 | |
| 172 | 669-6894 | CHAIN CATCHER | 1 | |
| 173 | 669-6906 | AIR DEFLECTOR | 1 | |
| 174 | 669-8421 | RECOIL STARTER (VERMILION) | 1 | |
| 175 | | TANAKA LABEL | 1 | |
| | | | | |
| | | | | |
| | | | | |
| | | | | |
| | | | | |
| | | | | |
| | | | | |
| | | | | |
| | | | | |
| | | | | |

STANDARD ACCESSORIES

| ITEM NO. | CODE NO. | DESCRIPTION | NO. USED | REMARKS |
|----------|----------|---------------------------|----------|-----------------|
| * 501 | 668-5439 | CHAIN COVER 14' | 1 | FOR 13 INCH |
| * 501 | 669-6909 | CHAIN COVER '16 | 1 | FOR 15, 16 INCH |
| * 501 | 669-6910 | CHAIN COVER '18 | 1 | FOR 18 INCH |
| 502 | 668-5402 | COMBI BOX SPANNER 10/19MM | 1 | |
| | | | | |
| | | | | |
| | | | | |
| | | | | |
| | | | | |