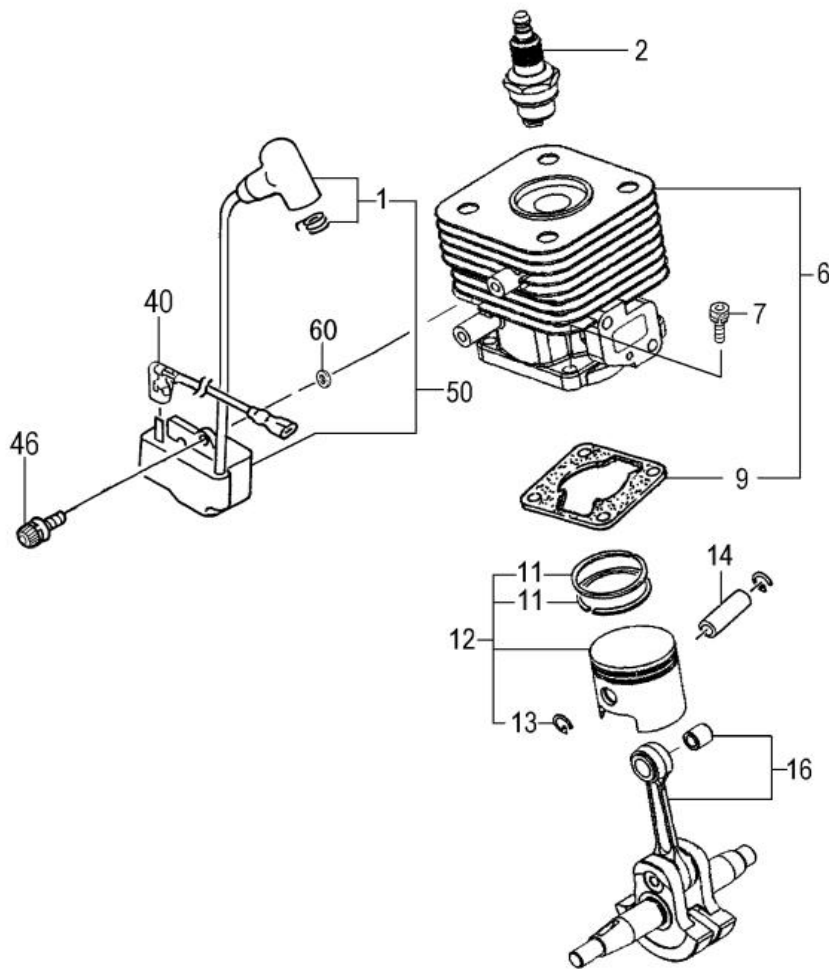


S49
(For US)

Tanaka

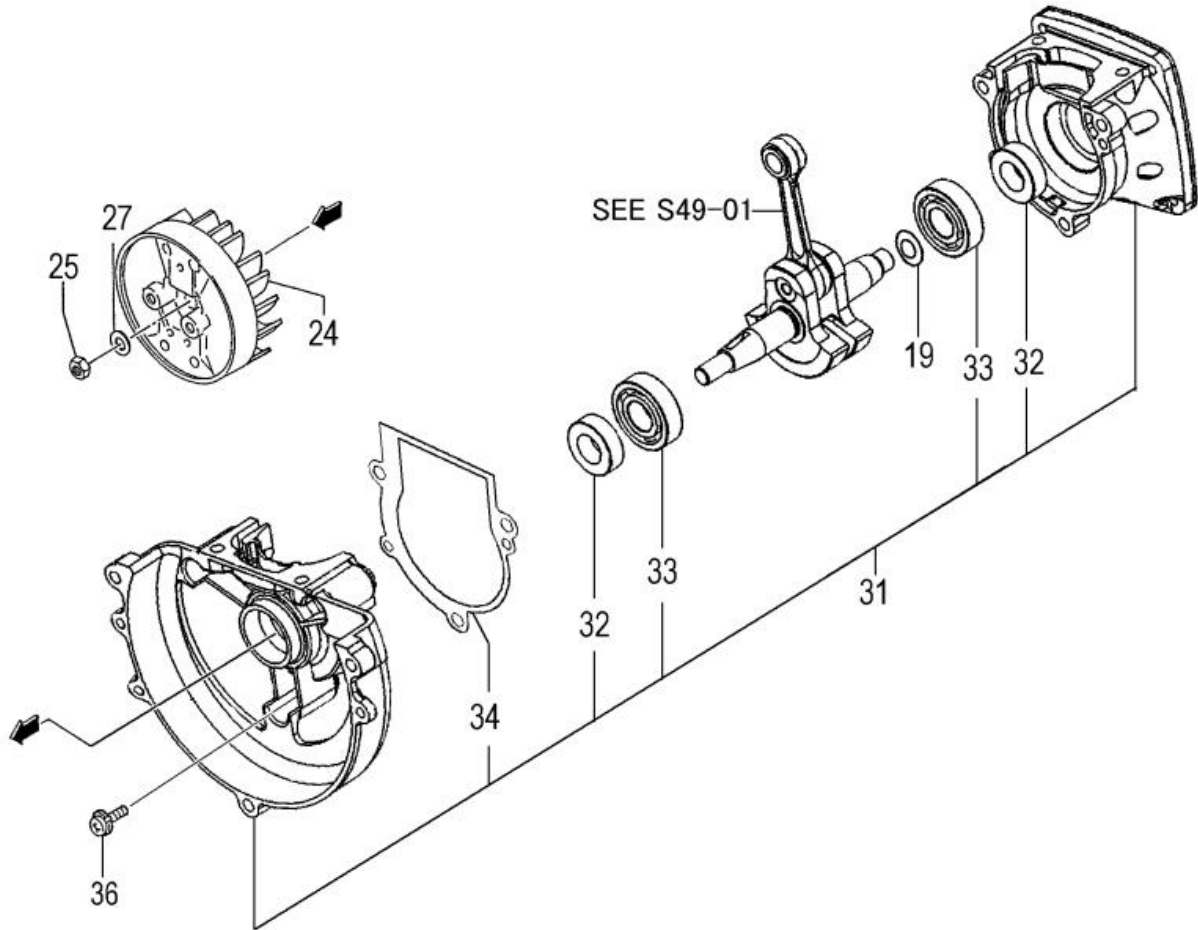
TED-270PFDH
November,2013

S49-01 CYLINDER/PISTON/CRANK SHAFT



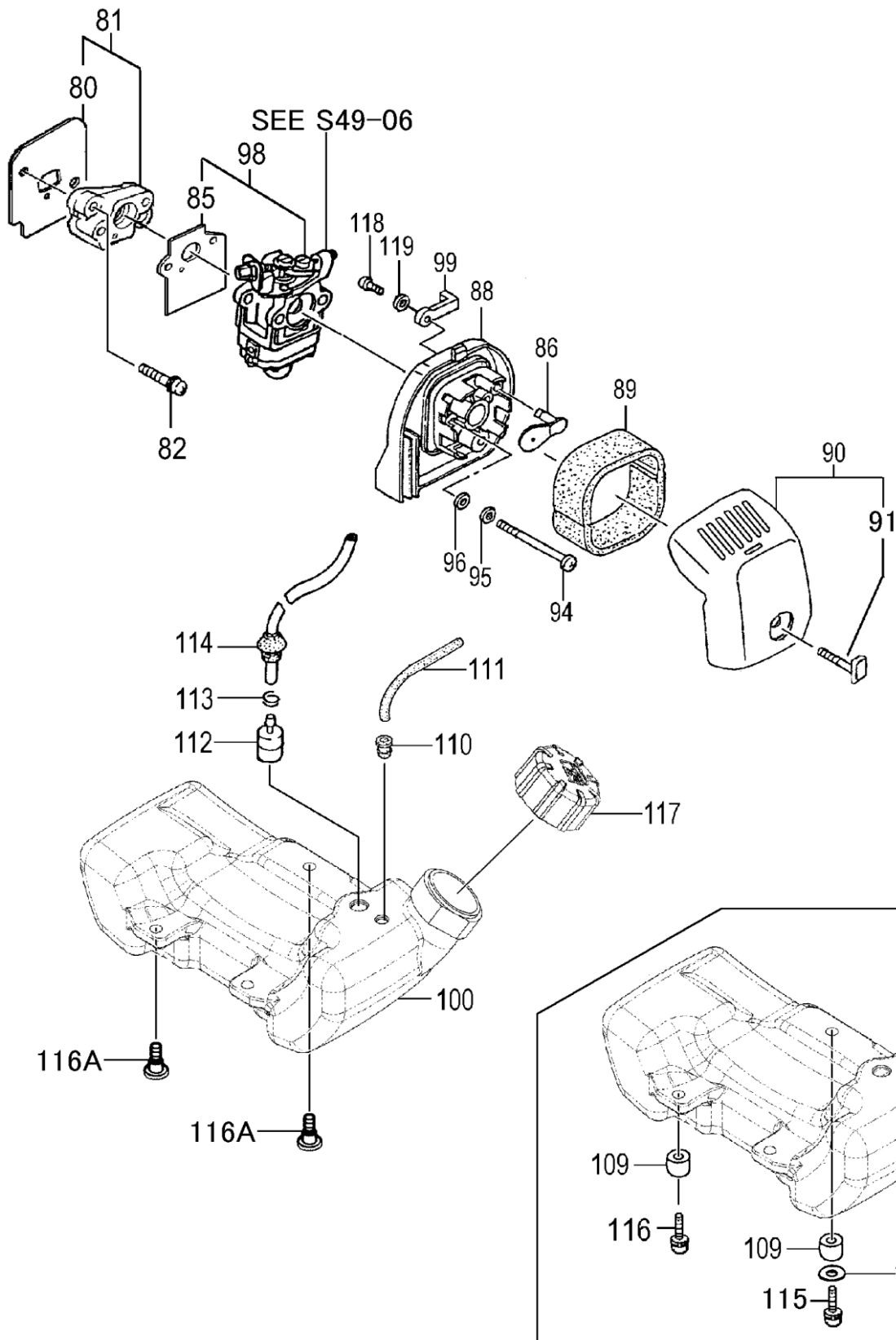
REF. NUMBER	SERVICE CODE No.	DESCRIPTION	Q'TY	REMARKS /SERIAL NO.
S49-01		CYLINDER/PISTON/CRANK SHAFT		
001	668-4894	PLUG CAP	1	
002	669-9324	SPARK PLUG ASS'Y CJ8	1	
006	668-5495	CYLINDER SET	1	
007	668-4586	HEX.HOLE BOLT M5X18/S	4	
009	668-4896	CYLINDER GASKET	1	
011	668-6121	PISTON RING	2	
012	668-5902	PISTON SET	1	
013	668-4590	CIR CLIP	2	
014	668-4591	PISTON PIN	1	
016	668-6219	CRANK SHAFT COMP.	1	
040	668-7836	STOP CORD B 190M	1	
046	668-4599	HEX.HOLE BOLT M4X18/WS	2	- J088990
046	669-5407	HIGH TENSION SCREW 4X18WS	2	J088991 -
050	668-7689	IGNITION COIL ASS'Y	1	
060	668-4600	WASHER T1.6	2	

S49-02 CRANK CASE



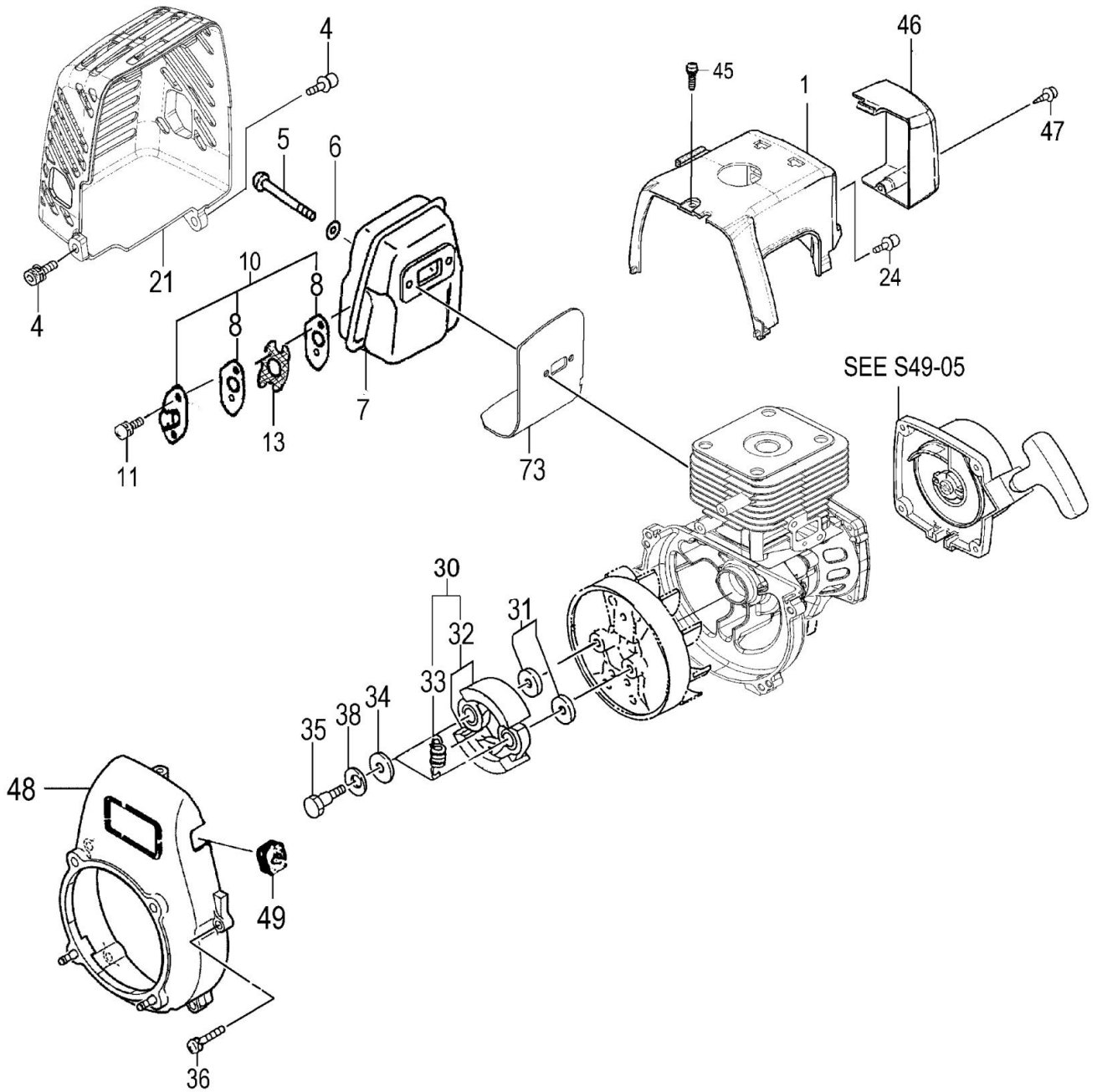
REF. NUMBER	SERVICE CODE No.	DESCRIPTION	Q'TY	REMARKS /SERIAL NO.
S49-02 CRANK CASE				
019	668-4604	GEAR SHAFT SHIM 0.20	V	
019	668-4605	GEAR SHAFT SHIM 0.30	V	
024	668-7385	MAGNETO ROTOR COMP.	1	
025	668-4612	HEX.NUT M8	1	
027	668-4611	BOLT WASHER M8	1	
031	668-4905	CRANK CASE ASS'Y	1	
032	668-4607	OIL SEAL TB 12227	2	
033	668-4608	BALL BEARING 6001 C3	2	
034	668-4904	CRANK CASE GASKET	1	
036	668-4903	HEX.HOLE BOLT M5X16/S	4	

S49-03 ENGINE-1



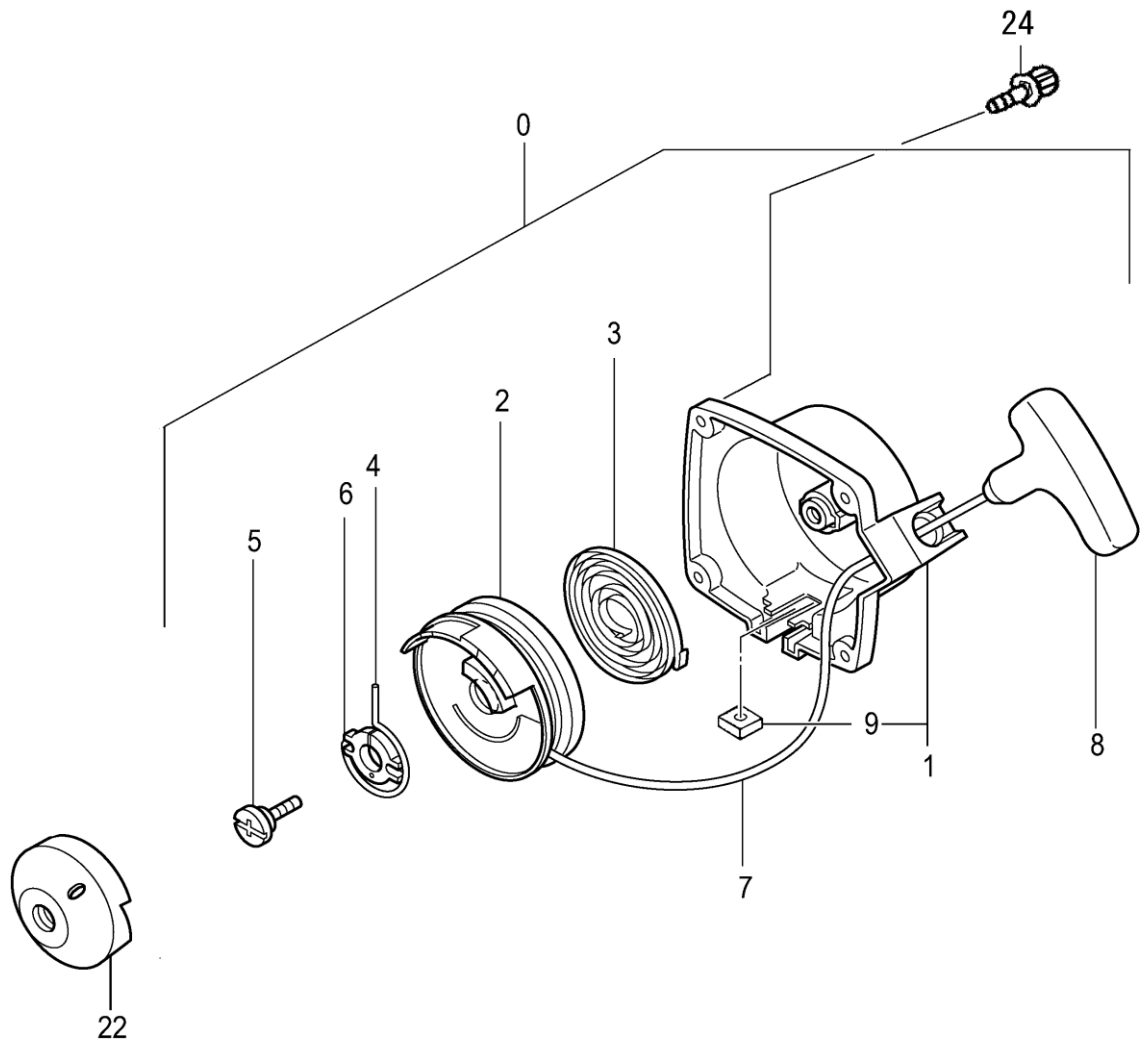
REF. NUMBER	SERVICE CODE No.	DESCRIPTION	Q'TY	REMARKS /SERIAL NO.
S49-03	ENGINE-1			
080	668-9895	INLET MANIFOLD GASKET	1	
081	668-9972	INSULATOR SET	1	
082	668-4617	HEX. HOLE BOLT 5X25/WS	2	
085	668-4616	CARBURETOR PACKING	1	
086	669-1276	CHOKE PLATE 2.0	1	
088	669-0120	CLEANER BODY COMP.	1	
089	669-0365	CLEANER SPONGE	1	
090	669-0402	CLEANER COVER ASS'Y	1	
091	669-0384	COVER FIXING BOLT	1	
094	669-4914	SCREW 5X55	2	
095	668-4662	S.WASHER 5	2	
096	668-4864	SMALL WASHER 5	2	
098	669-0522	CABURETOR SET WYJ-463	1	
099	669-1239	CHOKE CONTROL LEVER	1	
100	669-1602	TANK WHT	1	- G006550
100	669-7951	TANK	1	G006551 -
108	668-9681	BRAKE SHAFT WASHER	1	- J088990
109	669-2244	COLLAR 5.8	3	- J088990
110	669-7846	RETURN GROMMET	1	
111	668-4626	FUEL PIPE 3X5X65	1	
112	668-4620	PUMP FILTER BODY COMP.	1	
113	668-5198	CLIP D6	1	
114	669-8970	SHIELD TUBE SET	1	
115	669-5506	HEX HOLE BOLT 5X20PS	1	- J088990
116	669-5504	HEX.HOLE BOLT 5X16/PS	2	- J088990
116A	669-6574	BOLT (W/FLANGE) L17.8	3	J088991 -
117	669-1748	TANK CAP D ASS'Y	1	
118	669-5280	TAP SCREW 4X14 P	1	
119	668-5070	BOLT WASHER M4	1	

S49-04 ENGINE-2



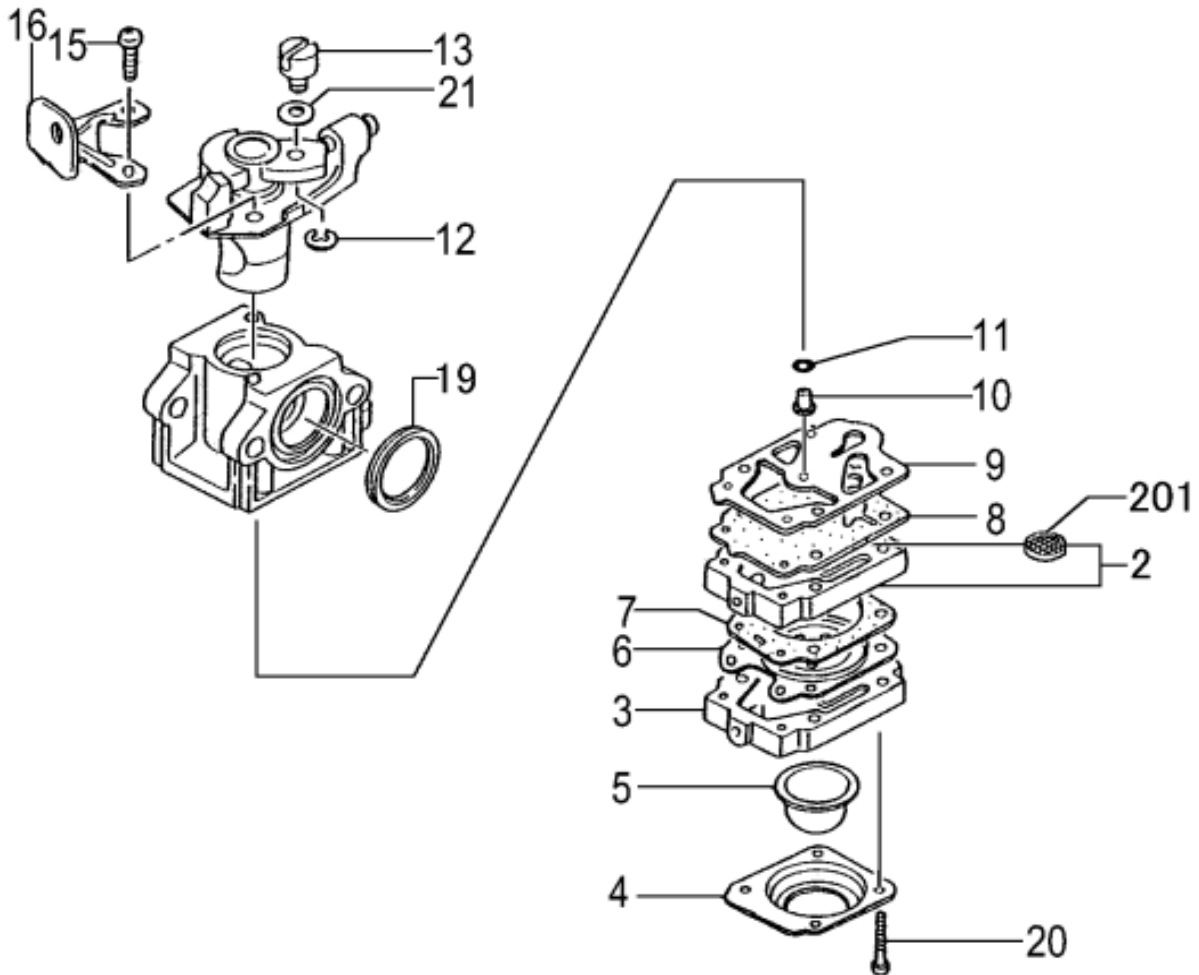
REF. NUMBER	SERVICE CODE No.	DESCRIPTION	Q'TY	REMARKS /SERIAL NO.
S49-04	ENGINE-2			
001	668-5693	CYLINDER COVER (BLK)	1	
004	669-5504	HEX.HOLE BOLT 5X16/PS	2	
005	669-5067	HEX.HOLE BOLT 6X65	2	
006	668-4639	BOLT WASHER 6	2	
007	669-2575	MUFFLER COMP.	1	
008	669-2886	MUFFLER SPECIAL GASKET	2	
010	669-2716	TAIL PIPE SET	1	
011	668-4651	SCREW M4X8/WS	2	
013	669-2702	SPARK ARRESTER	1	
021	669-2817	MUFFLER PROTECTOR	1	
024	669-5508	HEX. HOLE BOLT 4X18WS	2	
030	669-7655	CLUTCH SET	1	J088991 -
031	668-4642	CLUTCH WASHER B	2	- J088990
031	669-7619	CLUTCH WASHER B	2	J088991 -
032	668-4643	CLUTCH SHOE COMP.	2	- J088990
032	669-7656	CLUTCH SHOE	2	J088991 -
033	668-4644	CLUTCH SPRING	1	- J088990
033	669-7657	CLUTCH SPRING	1	J088991 -
034	668-4645	CLUTCH PLATE A 0.5	2	- J088990
034	668-9528	CLUTCH PLATE (A)	2	J088991 -
035	668-4646	STEP BOLT	2	- J088990
035	668-9627	STEP BOLT	2	J088991 -
036	668-4647	HEX.HOLE BOLT M5X18/WS	3	
038	668-4648	BENT WASHER 8	2	
045	668-4682	HEX.HOLE BOLT 4X15/PS	1	
046	668-7217	DEFLECTOR BLACK	1	
047	668-4751	TAPPING SCREW 4X14	1	
048	668-7039	FAN CASE COMP. OR	1	
049	668-8057	PRIMARY CORD GROMMET	1	
073	668-7265	HEAT SHIELD	1	

S49-05 RECOIL STARTER



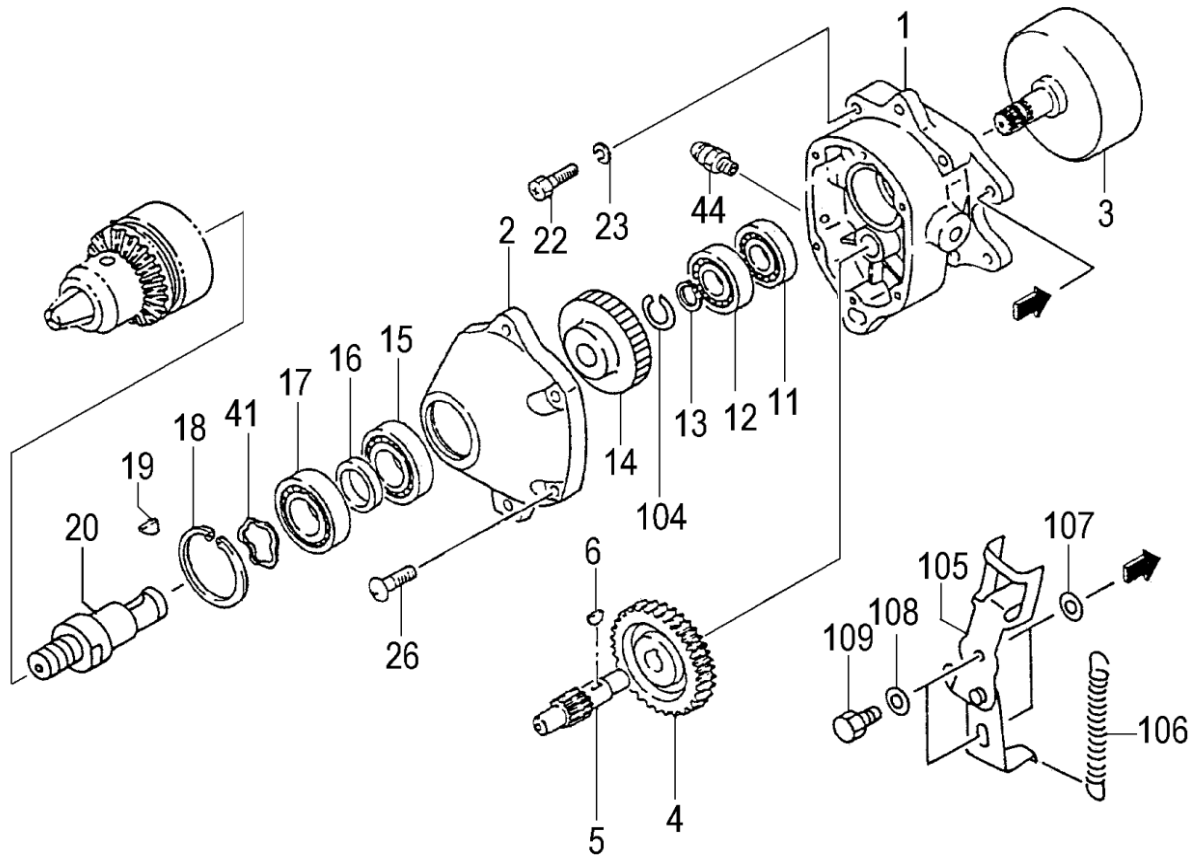
REF. NUMBER	SERVICE CODE No.	DESCRIPTION	Q'TY	REMARKS /SERIAL NO.
S49-05 RECOIL STARTER				
000	668-4938	RECOIL STARTER BODY ASS'Y	1	
001	668-4944	RECOIL STARTER BODY COMP.	1	
002	668-4941	STARTER ROPE REEL	1	
003	668-4942	RECOIL SPRING	1	
004	668-4940	SWING ARM	1	
005	668-4679	SET SCREW	1	
006	668-4939	PULLEY STAY	1	
007	668-4943	ROPE 3.0X800	1	
008	668-4680	STARTER HANDLE	1	
009	668-5000	SPECIAL NUT M5	1	
022	668-4937	STARTER PULLEY	1	
024	669-5508	HEX. HOLE BOLT 4X18WS	2	

S49-06 CARBURETOR



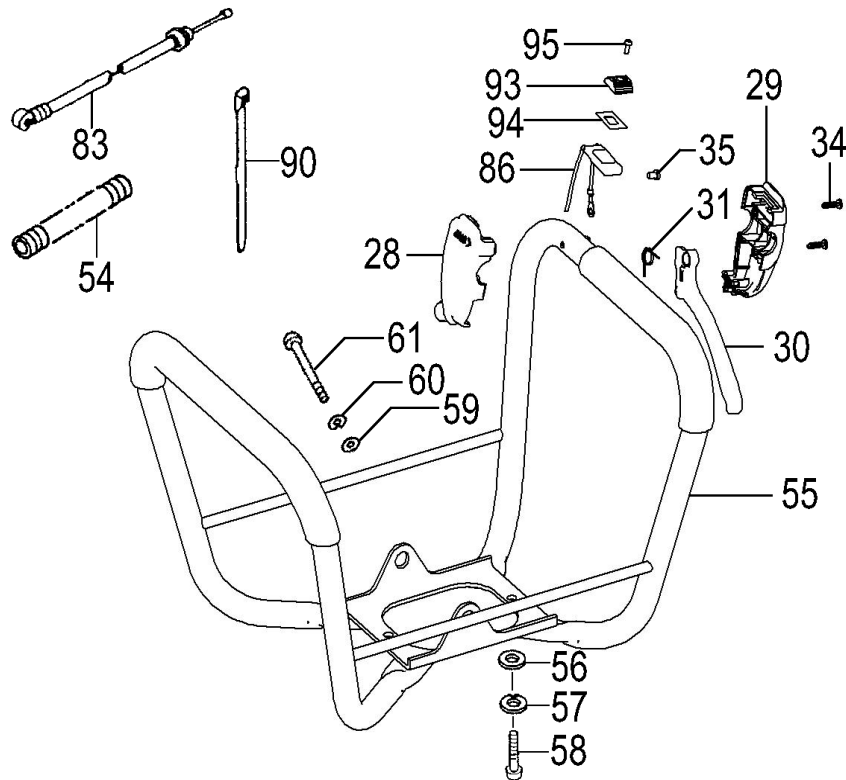
REF. NUMBER	SERVICE CODE No.	DESCRIPTION	Q'TY	REMARKS /SERIAL NO.
S49-06 CARBURETOR				
002	668-4879	PUMP BODY COMP.	1	
003	668-4687	PRIMING PUMP COMP.	1	
004	668-4688	DIAPHRAGM COVER	1	
005	668-4689	PRIMING BODY	1	
006	668-4690	METERING DIAPHRAGM	1	
007	668-4691	DIAPHRAGM GASKET	1	
008	668-4693	PUMP DIAPHRAGM	1	
009	668-4692	PUMP GASKET	1	
010	669-6130	MAIN JET #38.5	1	
011	668-4695	O-RING	1	
012	668-4696	STOP RING	1	
013	668-4697	SWIVEL	1	
015	668-4870	THROTTLE SET SCREW	2	
016	668-4873	CABLE ADJUSTER STAY	1	
019	668-4875	CLEANER PACKING	1	
020	668-4699	SET SCREW	4	
021	668-4874	THRUST WASHER	1	
201	668-4700	INLET SCREEN	1	

S49-07 GEAR CASE



REF. NUMBER	SERVICE CODE No.	DESCRIPTION	Q'TY	REMARKS /SERIAL NO.
S49-07 GEAR CASE				
001	668-5578	GEAR CASE A COMP.	1	
002	668-5593	GEAR CASE B COMP.	1	
003	668-8210	CLUTCH HOUSING COMP.	1	
004	668-5656	GEAR 2	1	
005	668-5702	GEAR 3	1	
006	668-6454	WOOD-RUFF KEY 3X10X3.7	1	
011	669-5532	BALL BEARING #6001Z, 28MM/OD	1	
012	669-5534	BALL BEARING #16001	1	
013	669-5282	STOP RING C 11, OUTER	1	
014	668-5788	GEAR 4	1	
015	669-5587	BALL BEARING #7202B, 35MM/OD	1	
016	668-6065	WASHAER C 5.0	1	
017	669-5559	BALL BEARING #6202Z, 35MM/OD	1	
018	669-5296	STOP RING C-35, INNER	1	
019	668-6455	WOOD-RUFF KEY 3X13X5	1	
020	668-5824	DRIVE SHAFT	1	
022	668-4792	NUT M6	4	
023	669-5219	S.WASHER 6	4	
026	669-5339	SCREW 5X18/S	4	
041	669-5206	WAVE WASHER B.B 35	1	
044	668-8643	GREASE NIPPLE COMP.	1	
104	669-5283	STOP RING C-13, OUTER	1	
105	668-9992	LOCK LEVER COMP.	1	
106	668-9998	LOCK LEVER SPRING	1	
107	668-7942	SPECIAL WASHER	2	
108	668-5103	BOLT WASHER M7	2	
109	669-3366	STEP BOLT	2	

S49-08 HANDLE/LEVER



REF. NUMBER	SERVICE CODE No.	DESCRIPTION	Q'TY	REMARKS /SERIAL NO.
S49-08 HANDLE/LEVER				
028	669-3795	THROTTLE BODY A	1	
029	669-3818	THROTTLE BODY B	1	
030	668-6402	THROTTLE LEVER DH	1	
031	668-6421	THROTTLE LEVER SPRING	1	
034	669-5280	TAP SCREW 4X14 P	2	
035	669-4860	SCREW 4X6	1	
054	668-7537	PROTECTION TUBE 7X530L	1	
055	669-7263	HANDLE ASS'Y	1	
056	668-4639	BOLT WASHER 6	2	
057	669-5219	S.WASHER 6	2	
058	669-5015	PLUS BOLT 6X12	2	
059	669-5198	WASHER 10	2	
060	669-5225	S.WASHER 10	2	
061	669-5005	BOLT 10X20	2	
083	669-3989	THROTTLE WIRE 585+32	1	
086	668-7777	STOP SWITCH COMP.	1	
090	668-8015	CORD CLAMP	1	
093	668-8366	BUTTON STOP	1	
094	669-4588	STOP BUTTON MARK	1	
095	668-4913	SCREW 3X10	1	

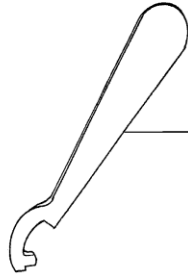
S49-09 TOOLS/LABELS



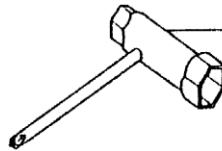
1



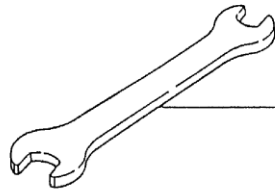
3



10



21



25

REF. NUMBER	SERVICE CODE No.	DESCRIPTION	Q'TY	REMARKS /SERIAL NO.
S49-09 TOOLS/LABELS				
001	669-4240	NAME PLATE TED-280PFDH	1	
003	669-4574	CAUTION MARK	1	
010	669-3647	SPECIAL WRENCH 31	1	
021	668-5999	COMBI BOX SPANNER 10X19	1	
025	668-6251	SPANNER 17X19	1	