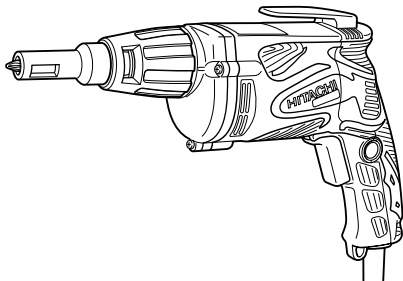


HITACHI

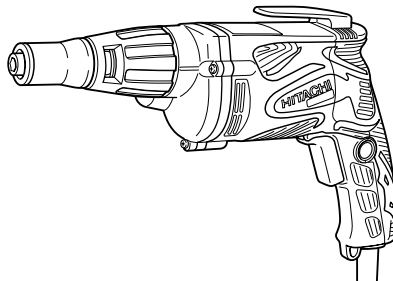
Model
Modèle
Modelo

W 6VM • W 6V4 • W 6VA4
W 6VB3 • W 8VB2

Screw Driver
Visseuse
Atornillador



W6VM • W6V4 • W6VA4



W6VB3 • W8VB2

INSTRUCTION MANUAL AND SAFETY INSTRUCTIONS

⚠ WARNING

Improper and unsafe use of this power tool can result in death or serious bodily injury!

This manual contains important information about product safety. Please read and understand this manual before operating the power tool. Please keep this manual available for others before they use the power tool.

MODE D'EMPLOI ET INSTRUCTIONS DE SECURITE

⚠ AVERTISSEMENT

Une utilisation incorrecte et dangereuse de cet outil motorisé peut entraîner la mort ou de sérieuses blessures corporelles!

Ce mode d'emploi contient d'importantes informations à propos de la sécurité de ce produit. Veuillez lire et comprendre ce mode d'emploi avant d'utiliser l'outil motorisé. Gardez ce mode d'emploi à la disponibilité des autres utilisateurs avant qu'ils utilisent l'outil motorisé.

MANUAL DE INSTRUCCIONES E INSTRUCCIONES DE SEGURIDAD

⚠ ADVERTENCIA

¡La utilización inapropiada e insegura de esta herramienta eléctrica puede resultar en lesiones serias o en la muerte!

Este manual contiene información importante sobre la seguridad del producto. Lea y comprenda este manual antes de utilizar la herramienta eléctrica. Guarde este manual para que puedan leerlo otras personas antes de que utilicen la herramienta eléctrica.



DOUBLE INSULATION
DOUBLE ISOLATION
AISLAMIENTO DOBLE

Hitachi Koki

CONTENTS

English

	Page		Page
IMPORTANT SAFETY INFORMATION	3	ASSEMBLY AND OPERATION	10
MEANINGS OF SIGNAL WORDS	3	APPLICATIONS	10
SAFETY	4	PRIOR TO OPERATION	10
GENERAL SAFETY RULES	4	HOW TO USE THE SCREW DRIVER ...	12
SPECIFIC SAFETY RULES AND SYMBOLS	6	MOUNTING AND DISMOUNTING	
DOUBLE INSULATION FOR SAFER		THE HEX-SOCKET OR BIT	13
OPERATION	8	MAINTENANCE AND INSPECTION	14
FUNCTIONAL DESCRIPTION	9	ACCESSORIES	15
NAME OF PARTS	9	STANDARD ACCESSORIES	15
SPECIFICATIONS	9	OPTIONAL ACCESSORIES	16
		PART LIST	48

TABLE DES MATIERES

Français

	Page		Page
INFORMATIONS IMPORTANTES DE SÉCURITÉ ...	17	ASSEMBLAGE ET FONCTIONNEMENT	25
SIGNIFICATION DES MOTS		APPLICATIONS	25
D'AVERTISSEMENT	17	AVANT L'UTILISATION	25
SECURITE	18	COMMENT UTILISER LA VISSIEUSE ..	27
REGLES GENERALES DE SECURITE	18	MONTAGE ET DEMONTAGE DU MANCHON	
REGLES DE SECURITE SPECIFIQUES ET SYMBOLES ...	20	SIX PANS OU DE LA MECHE	28
DOUBLE ISOLATION POUR UN		ENTRETIEN ET INSPECTION	29
FONCTIONNEMENT PLUS SUR	23	ACCESSOIRES	30
DESCRIPTION FONCTIONNELLE	24	ACCESSOIRES STANDARD	30
NOM DES PARTIES	24	ACCESSOIRES SUR OPTION	31
SPECIFICATIONS	24	LISTE DES PIECES	48

ÍNDICE

Español

	Página		Página
INFORMACIÓN IMPORTANTE SOBRE SEGURIDAD ...	32	MONTAJE Y OPERACIÓN	40
SIGNIFICADO DE LAS PALABRAS DE		APLICACIONES	40
SEÑALIZACIÓN	32	ANTES DE LA OPERACIÓN	40
SEGURIDAD	33	COMO USAR EL DESTORNILLADOR ...	42
NORMAS GENERALES DE SEGURIDAD ...	33	MONTAJE Y DESMONTAJE DEL PORTATORNILLOS	
NORMAS Y SÍMBOLOS ESPECÍFICOS DE SEGURIDAD	35	HEXAGONAL O DE LA BROCA	44
AISLAMIENTO DOBLE PARA OFRECER UNA		MANTENIMIENTO E INSPECCIÓN	45
OPERACIÓN MÁS SEGURA	38	ACCESORIOS	46
DESCRIPCIÓN FUNCIONAL	39	ACCESORIOS ESTÁNDAR	46
NOMENCLATURA	39	ACCESORIOS OPCIONALES	47
ESPECIFICACIONES	39	LISTA DE PIEZAS	48

IMPORTANT SAFETY INFORMATION

Read and understand all of the safety precautions, warnings and operating instructions in the Instruction Manual before operating or maintaining this power tool.

Most accidents that result from power tool operation and maintenance are caused by the failure to observe basic safety rules or precautions. An accident can often be avoided by recognizing a potentially hazardous situation before it occurs, and by observing appropriate safety procedures.

Basic safety precautions are outlined in the "SAFETY" section of this Instruction Manual and in the sections which contain the operation and maintenance instructions.

Hazards that must be avoided to prevent bodily injury or machine damage are identified by WARNINGS on the power tool and in this Instruction Manual.

NEVER use this power tool in a manner that has not been specifically recommended by HITACHI.

MEANINGS OF SIGNAL WORDS

WARNING indicates a potentially hazardous situations which, if ignored, could result in death or serious injury.

CAUTION indicates a potentially hazardous situations which, if not avoided, may result in minor or moderate injury, or may cause machine damage.

NOTE emphasizes essential information.

SAFETY

GENERAL SAFETY RULES

⚠ WARNING: Read and understand all instructions.


Failure to follow all instructions listed below, may result in electric shock, fire and/or serious personal injury.

SAVE THESE INSTRUCTIONS

1. Work Area

- (1) **Keep your work area clean and well lit.** Cluttered benches and dark areas invite accidents.
- (2) **Do not operate power tools in explosive atmospheres, such as in the presence of flammable liquids, gases, or dust.** Power tools create sparks which may ignite the dust or fumes.
- (3) **Keep bystanders children, and visitors away while operating a power tool.** Distractions can cause you to lose control.

2. Electrical Safety

- (1) **Double Insulated tools are equipped with a polarized plug (one blade is wider than the other.) This plug will fit in a polarized outlet only one way. If the plug does not fit fully in the outlet, reverse the plug. If it still does not fit, contact a qualified electrician to install a polarized outlet. Do not change the plug in any way.** Double Insulation  eliminates the need for the three wire grounded power cord and grounded power supply system.
- (2) **Avoid body contact with grounded surfaces such as pipes, radiators, ranges and refrigerators.** There is an increased risk of electric shock if your body is grounded.
- (3) **Do not expose power tools to rain or wet conditions.** Water entering a power tool will increase the risk of electric shock.
- (4) **Do not abuse the cord. Never use the cord to carry the tools or pull the plug from a receptacle. Keep cord away from heat, oil, sharp edges or moving parts. Replace damaged cords immediately.** Damaged cords increase the risk of electric shock.
- (5) **When operating a power tool outside, use an outdoor extension cord marked "W-A" or "W".** These cords are rated for outdoor use and reduce the risk of electric shock.

3. Personal Safety

- (1) **Stay alert, watch what you are doing and use common sense when operating a power tool. Do not use tool while tired or under the influence of drugs, alcohol, or medication.** A moment of inattention while operating power tools may result in serious personal injury.
- (2) **Dress properly. Do not wear loose clothing or jewelry. Contain long hair. Keep your hair, clothing and gloves away from moving parts.** Loose clothes, jewelry, or long hair can be caught in moving parts.

- (3) **Avoid accidental starting. Be sure switch is off before plugging in.** Carrying tools with your finger on the switch or plugging in tools that have the switch on invites accidents.
- (4) **Remove adjusting keys or wrenches before turning the tool on.** A wrench or a key that is left attached to a rotating part of the tool may result in personal injury.
- (5) **Do not overreach. Keep proper footing and balance at all times.** Proper footing and balance enables better control of the tool in unexpected situations.
- (6) **Use safety equipment. Always wear eye protection.** Dust mask, non-skid safety shoes, hard hat, or hearing protection must be used for appropriate conditions.

4. Tool Use and Care

- (1) **Use clamps or other practical way to secure and support the workpiece to a stable platform.** Holding the work by hand or against your body is unstable and may lead to loss of control.
- (2) **Do not force tool. Use the correct tool for your application.** The correct tool will do the job better and safer at the rate for which it is designed.
- (3) **Do not use tool if switch does not turn it on or off.** Any tool that cannot be controlled with the switch is dangerous and must be repaired.
- (4) **Disconnect the plug from the power source before making any adjustments, changing accessories, or storing the tool.** Such preventive safety measures reduce the risk of starting the tool accidentally.
- (5) **Store idle tools out of reach of children and other untrained persons.** Tools are dangerous in the hands of untrained users.
- (6) **Maintain tools with care. Keep cutting tools sharp and clean.** Properly maintained tools, with sharp cutting edges are less likely to bind and are easier to control.
- (7) **Check for misalignment or binding of moving parts, breakage of parts, and any other condition that may affect the tool's operation. If damaged, have the tool serviced before using.** Many accidents are caused by poorly maintained tools.
- (8) **Use only accessories that are recommended by the manufacturer for your model.** Accessories that may be suitable for one tool, may become hazardous when used with another tool.

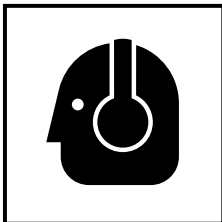
5. Service

- (1) **Tool service must be performed only by qualified repair personnel.** Service or maintenance performed by unqualified personnel could result in a risk of injury.
- (2) **When servicing a tool, use only identical replacement parts. Follow instructions in the Maintenance section of this manual.** Use of unauthorized parts or failure to follow Maintenance Instruction may create a risk of electric shock or injury.

SPECIFIC SAFETY RULES AND SYMBOLS

1. **Hold tools by insulated gripping surfaces when performing an operation where the cutting tool may contact hidden wiring or its own cord.** Contact with a “live” wire will make exposed metal parts of the tool “live” and shock the operator.

2. **ALWAYS wear ear protectors when using the tool for extended periods.**



Prolonged exposure to high intensity noise can cause hearing loss.

3. **Employ a driver bit appropriate for the screw diameter.**
4. **Apply the screw driver body perpendicularly to a screw head when driving a screw.**
5. **NEVER touch moving parts.**
NEVER place your hands, fingers or other body parts near the tool’s moving parts.
6. **NEVER operate without all guards in place.**
NEVER operate this tool without all guards or safety features in place and in proper working order. If maintenance or servicing requires the removal of a guard or safety feature, be sure to replace the guard or safety feature before resuming operation of the tool.
7. **Use right tool.**
Don’t force small tool or attachment to do the job of a heavy-duty tool. Don’t use tool for purpose not intended—for example— don’t use circular saw for cutting tree limbs or logs.
8. **NEVER use a power tool for applications other than those specified.**
NEVER use a power tool for applications other than those specified in the Instruction Manual.
9. **Handle tool correctly.**
Operate the tool according to the instructions provided herein. Do not drop or throw the tool. NEVER allow the tool to be operated by children, individuals unfamiliar with its operation or unauthorized personnel.
10. **Keep all screws, bolts and covers tightly in place.**
Keep all screws, bolts, and plates tightly mounted. Check their condition periodically.
11. **Do not use power tools if the plastic housing or handle is cracked.**
Cracks in the tool’s housing or handle can lead to electric shock. Such tools should not be used until repaired.
12. **Blades and accessories must be securely mounted to the tool.**
Prevent potential injuries to yourself or others. Blades, cutting implements and accessories which have been mounted to the tool should be secure and tight.

13. Keep motor air vent clean.

The tool's motor air vent must be kept clean so that air can freely flow at all times. Check for dust build-up frequently. 17. Never leave tool running unattended. Turn power off.

14. Operate power tools at the rated voltage.

Operate the power tool at voltages specified on its nameplate.

If using the power tool at a higher voltage than the rated voltage, it will result in abnormally fast motor revolution and may damage the unit and the motor may burn out.

15. NEVER use a tool which is defective or operating abnormally.

If the tool appears to be operating unusually, making strange noises, or otherwise appears defective, stop using it immediately and arrange for repairs by a Hitachi authorized service center.

16. NEVER leave tool running unattended. Turn power off.

Don't leave tool until it comes to a complete stop.

17. Carefully handle power tools.

Should a power tool be dropped or struck against hard materials inadvertently, it may be deformed, cracked, or damaged.

18. Do not wipe plastic parts with solvent.

Solvents such as gasoline, thinner benzine, carbon tetrachloride, and alcohol may damage and crack plastic parts. Do not wipe them with such solvents.

Wipe plastic parts with a soft cloth lightly dampened with soapy water and dry thoroughly.

19. Definitions for symbols used on this tool.


V ... volts

Hz ... hertz

A ... amperes

no ... no load speed

W ... watt

 ... Class II Construction

-- /min ... revolutions per minute

DOUBLE INSULATION FOR SAFER OPERATION

To ensure safer operation of this power tool, HITACHI has adopted a double insulation design. "Double insulation" means that two physically separated insulation systems have been used to insulate the electrically conductive materials connected to the power supply from the outer frame handled by the operator. Therefore, either the symbol "Ⓜ" or the words "Double insulation" appear on the power tool or on the nameplate.

Although this system has no external grounding, you must still follow the normal electrical safety precautions given in this Instruction Manual, including not using the power tool in wet environments.

To keep the double insulation system effective, follow these precautions:

- Only Hitachi Authorized Service Center should disassemble or assemble this power tool, and only genuine HITACHI replacement parts should be installed.
- Clean the exterior of the power tool only with a soft cloth moistened with soapy water, and dry thoroughly.
Never use solvents, gasoline or thinners on plastic components; otherwise the plastic may dissolve.

**SAVE THESE INSTRUCTIONS
AND
MAKE THEM AVAILABLE TO
OTHER USERS
AND
OWNERS OF THIS TOOL!**

FUNCTIONAL DESCRIPTION

NOTE:

The information contained in this Instruction Manual is designed to assist you in the safe operation and maintenance of the power tool.

NEVER operate, or attempt any maintenance on the tool unless you have first read and understood all safety instructions contained in this manual.

Some illustrations in this Instruction Manual may show details or attachments that differ from those on your own power tool.

NAME OF PARTS

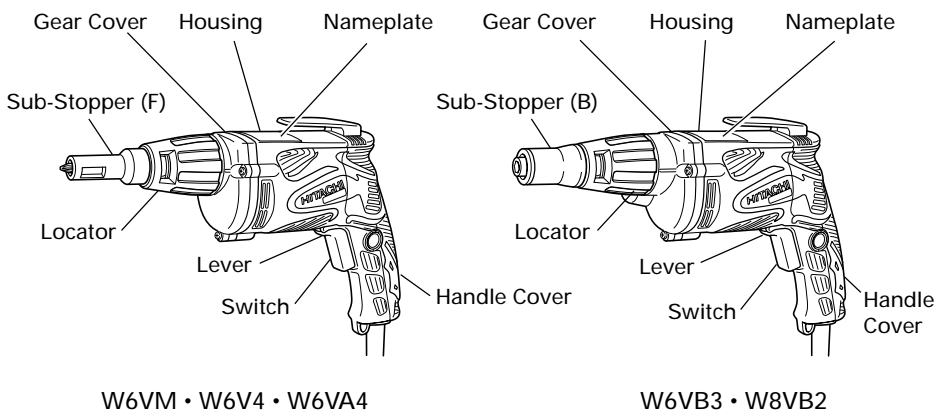


Fig. 1

SPECIFICATIONS

Model	W6VM	W6V4	W6VA4	W6VB3	W8VB2
Motor	Single-Phase, Series Commutator Motor				
Power Source	Single-Phase, 120 V 60 Hz				
Current	6.5 A				
No-Load Speed	0-6000/min.	0-4500/min.	0-3000/min.	0-2600/min.	0-1700/min.
Capacity	Drywall screw	3/16" (5 mm)	1/4" (6 mm)		
	Self-drilling screw	1/4" (6 mm)			5/16" (8 mm)
Weight	3.1 lbs (1.4 kg)			3.3 lbs (1.5 kg)	

ASSEMBLY AND OPERATION

APPLICATIONS

- Tightening hex. head screws
- Tightening Drywall screws, wood screws and self-drilling screws

NOTE:

For tightening the Self-drilling screws, sub-stopper (B) and non-magnetic bit holder (sold separately) are recommended.

PRIOR TO OPERATION

1. Power source

Ensure that the power source to be utilized conforms to the power source requirements specified on the product nameplate.

2. Power switch

Ensure that the switch is in the OFF position. If the plug is connected to a receptacle while the switch is in the ON position, the power tool will start operating immediately and can cause serious injury.

3. Extension cord

When the work area is far away from the power source, use an extension cord of sufficient thickness and rated capacity. The extension cord should be kept as short as practicable.



⚠ WARNING:
Damaged cord must be replaced or repaired.

4. Check the receptacle

If the receptacle only loosely accepts the plug, the receptacle must be repaired. Contact a licensed electrician to make appropriate repairs.

If such a faulty receptacle is used, it may cause overheating, resulting in a serious hazard.

5. Confirming condition of the environment

Confirm that the work site is placed under appropriate conditions conforming to prescribed precautions.

6. Confirm the direction of bit rotation (Fig. 2)

The bit rotates clockwise (viewed from the rear side) when the reversing switch lever is set to the "R" side position. When the lever is set to the "L" side position, the bit rotates counter-clockwise and can be used to loosen and remove screws.

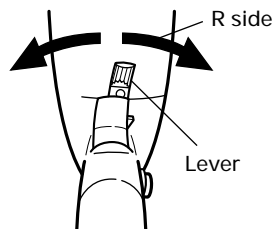


Fig. 2

⚠ CAUTION:

Never change the bit rotating direction while operating the Screw Driver. Turn the main switch off before changing the rotating direction, otherwise, burning of the motor will result.

7. Adjusting the tightening depth (Fig. 3)

The tightening depth can be adjusted by turning locator right and left with click feeling.

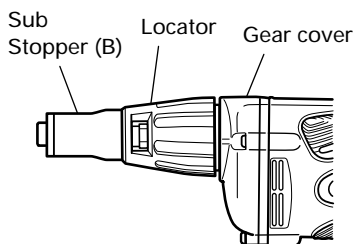


Fig. 3

(1) For hex-head screws (Fig. 4)

Mount a hex-head screw on the hex-socket and set the distance between the sub-stopper end and the screw head neck to 0.04" – 0.06" (1 – 1.5 mm).

(2) For drywall screws (Fig. 5)

Mount a drywall screw on the bit, and set the distance between the sub-stopper end and the screw head to 0.06" – 0.07" (1.5 – 2 mm).

(3) For cross-recessed self-drilling screws (Fig. 6)

Mount a self-drilling screw on the bit, and set the distance between the sub-stopper end and the screw head bottom to 0.04" – 0.06" (1 – 1.5 mm).

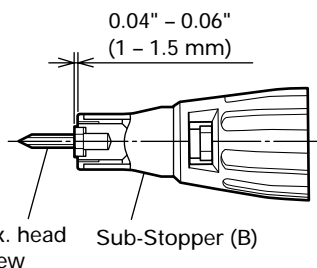


Fig. 4

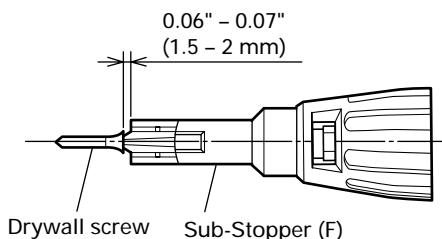


Fig. 5

8. Mounting the bit

For details, refer to the item "Mounting and dismounting the hex-socket or the bit".

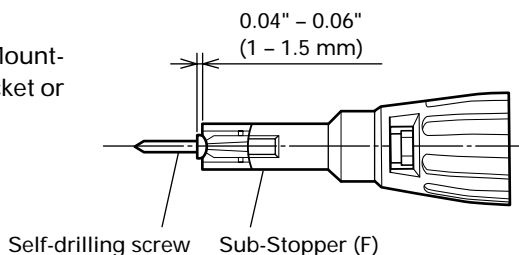


Fig. 6

HOW TO USE THE SCREW DRIVER

1. Switch operation and rotational speed adjustment

Bit rotational speed can be adjusted between 0–6000/min (W6VM) or 0–4500/min (W6V4) or 0–3000/min (W6VA4) or 0–2600/min (W6VB3) or 0–1700/min (W8VB2) varying the degree by which the trigger switch is pulled. Rotational speed increases as the trigger switch is pulled, and reaches a maximum speed of 6000/min (W6VM) or 4500/min (W6V4) or 3000/min (W6VA4) or 2600/min (W6VB3) or 1700/min (W8VB2) when the trigger switch is pulled fully.

To facilitate continuous operation, pull the trigger switch and depress the switch stopper. The switch will then remain ON even when the finger is released. By pulling the trigger switch again, the switch stopper disengages and the switch is turned OFF when the trigger switch is released.

2. Screw Driver operation

When the switch is turned ON, the motor starts to run but the hex-socket (or the bit) does not rotate. Attach the hex-socket to the screw head groove, and push the Screw Driver against the screw. The hex-socket then rotates and tightens the screw.

⚠ CAUTION

Ensure that the Screw Driver is held truly perpendicular to the head of the screw. If held at an angle, the driving force will not be fully transferred to the screw, and the screw head and/or hex-socket will be damaged. Hex-socket rotation stops when pushing force is released.

3. Direction of hex-socket rotation

The hex-socket rotates clockwise (viewed from the rear side) when the reversing switch lever is set to the "R" side position. When the lever is set to the "L" side position, the hex-socket rotates counterclockwise, and can be used to loosen and remove screws.

⚠ CAUTION

Never change the direction of hex-socket (or bit holder) rotation while the motor is running. To do so would seriously damage the motor. Turn the power switch OFF before changing the direction of hex-socket (or bit holder) rotation.

4. Tightening Self-drilling screw

When the supplied magnet bit holder is used to tighten the Self-drilling screw into a steel plate, cut material stuck in the magnet bit will degrade the work efficiency.

To prevent this, the non-magnetic bit holder (optional accessory) is recommended. The stainless locator with bushing (optional accessory) will prevent the bushing from being worn.

MOUNTING AND DISMOUNTING THE HEX-SOCKET OR THE BIT

⚠ CAUTION

Be sure to switch power OFF and disconnect the plug from receptacle to avoid serious trouble.

1. Dismounting the hex-socket (Fig. 7)

- (1) While rotating the Sub-Stopper pull it out from the locator.
- (2) Remove the hex-socket, hold it with the opposite side of bit by hand or vise and pull out the bit with pliers.

2. Dismounting the bit (Fig. 8)

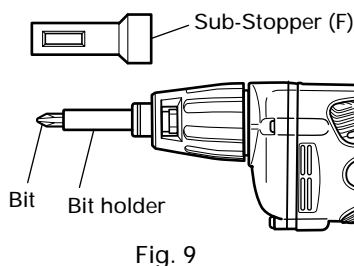
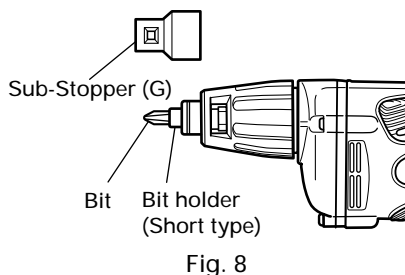
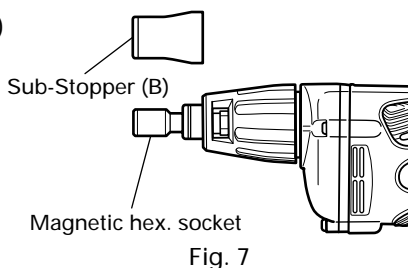
Remove sub-stopper (G) as the same manner of hex-head socket and remove the bit holder, then pull out the bit with pliers.

3. Dismounting the bit (Fig. 9)

Remove the sub-stopper (F) as the same manner of hex-head socket and remove the bit holder, then pull out the bit with pliers.

4. Mounting the hex-socket or the bit

Install the bit in the reverse order to removal.



MAINTENANCE AND INSPECTION

⚠ WARNING: Be sure to switch power OFF and disconnect the plug from the receptacle during maintenance and inspection.

1. Inspecting the hex. socket (or bit)

Since continued use of a worn hex. socket (bit) will damage screw heads, replace the hex. socket (bit) with a new one as soon as excessive wear is noticed.

2. Inspecting the screws

Regularly inspect all screws and ensure that they are properly tightened. Should any of the screws be loosened, retighten them immediately.

⚠ WARNING: Using this screw driver with loosened screws is extremely dangerous.

3. Maintenance of the motor

The motor unit winding is the very “heart” of the power tool. Exercise due care to ensure the winding does not become damaged and/or wet with oil or water.

4. Cleaning the unit exterior

Wipe off oil and stain on the unit exterior with a dried rag or a rag moistened with soapy water.

5. Inspecting the carbon brushes

For your continued safety and electrical shock protection, carbon brush inspection and replacement on this tool should ONLY be performed by a Hitachi Authorized Service Center.

6. Service and repairs

All quality power tools will eventually require servicing or replacement of parts because of wear from normal use. To assure that only authorized replacement parts will be used, all service and repairs must be performed by a Hitachi Authorized Service Center, ONLY.

7. Service parts list

- A: Item No.
- B: Code No.
- C: No. Used
- D: Remarks

⚠ CAUTION: Repair, modification and inspection of Hitachi Power Tools must be carried out by a Hitachi Authorized Service Center. This Parts List will be helpful if presented with the tool to the Hitachi Authorized Service Center when requesting repair or other maintenance. In the operation and maintenance of power tools, the safety regulations and standards prescribed in each country must be observed.

MODIFICATIONS:

Hitachi Power Tools are constantly being improved and modified to incorporate the latest technological advancements.

Accordingly, some parts (i.e. code numbers and/or design) may be changed without prior notice.

ACCESSORIES

⚠ WARNING: ALWAYS use Only authorized HITACHI replacement parts and accessories. NEVER use replacement parts or accessories which are not intended for use with this tool. Contact HITACHI if you are not sure whether it is safe to use a particular replacement part or accessory with your tool.

The use of any other attachment or accessory can be dangerous and could cause injury or mechanical damage.

NOTE:

Accessories are subject to change without any obligation on the part of the HITACHI.

STANDARD ACCESSORIES

<W6VM • W6V4 • W6VA4>

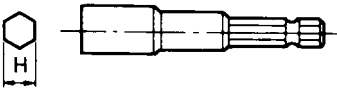
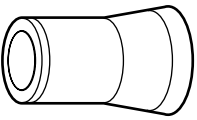
- | | |
|--|---|
| (1) No. 2 Phillips driver bit (Code No. 971511Z) | 1 |
| (2) Magnetic bit holder (Code No. 982554Z) | 1 |
| (3) Sub-stopper (F) (Code No. 323351) | 1 |

<W6VB3 • W8VB2>


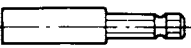
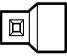

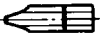
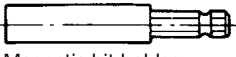
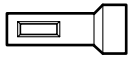

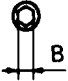

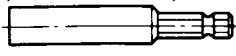
- | | |
|--|---|
| (1) Magnetic hex. socket (H=5/16" (7.94 mm)) (Code No. 985322) | 1 |
| (2) Sub-stopper (B) (H=5/16" (7.94 mm)) (Code No. 317671) | 1 |

OPTIONAL ACCESSORIES sold separately

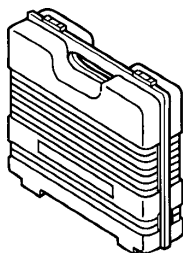
1. For hex-head screws

Hex-socket				Sub-Stopper (B)	
					
Magnetic type		Non magnetic type		Size	Code No.
Size	Code No.	Size	Code No.		
H 1/4	985332	H 1/4	985328	H 1/4	317827
H 5/16	985322	H 5/16	985327	H 5/16	317671
H 3/8	985330	H 3/8	985326	H 3/8	317670

2. For other screws

Screw head	Bit			Bit holder	Sub-Stopper
	Type	Size	Code No.		
⊕		No.1 No.2 No.3	985333 971511Z 971512Z	 Magnetic bit holder (Short type)	 Sub-Stopper (G) (Code No. 323352)
		No.1 No.2	985334 985335		
⊖		No.1 No.2 No.3	985336 985337 985338	 Magnetic bit holder (Code No. 982554Z)	 Sub-Stopper (F) (Code No. 323351)
		No.1 No.2	985340 985341		
		B Size 5/32" (4 mm) 13/64" (5 mm)	985342 985343	 Non-magnetic bit holder (Code No. 982563Z)	

3. Plastic case (Code No. 310504)



NOTE:

Specifications are subject to change without any obligation on the part of the HITACHI.

INFORMATIONS IMPORTANTES DE SÉCURITÉ

Lire et comprendre toutes les précautions de sécurité, les avertissements et les instructions de fonctionnement dans ce mode d'emploi avant d'utiliser ou d'entretenir cet outil motorisé.

La plupart des accidents causés lors de l'utilisation ou de l'entretien de l'outil motorisé proviennent d'un non respect des règles ou précautions de base de sécurité. Un accident peut la plupart du temps être évité si l'on reconnaît une situation de danger potentiel avant qu'elle ne se produise, et en observant les procédures de sécurité appropriées.

Les précautions de base de sécurité sont mises en évidence dans la section "SECURITE" de ce mode d'emploi et dans les sections qui contiennent les instructions de fonctionnement et d'entretien.

Les dangers qui doivent être évités pour prévenir des blessures corporelles ou un endommagement de la machine sont identifiés par AVERTISSEMENTS sur l'outil motorisé et dans ce mode d'emploi.

NE JAMAIS utiliser cet outil motorisé d'une manière qui n'est pas spécifiquement recommandée par HITACHI.

SIGNIFICATION DES MOTS D'AVERTISSEMENT

AVERTISSEMENT indique des situations potentiellement dangereuses qui, si elles sont ignorées, pourraient entraîner la mort ou de sérieuses blessures.

PRECAUTION indique des situations dangereuses potentielles qui, si elles ne sont pas évitées, peuvent entraîner de mineures et légères blessures ou endommager la machine.

REMARQUE met en relief des informations essentielles.

SECURITE

REGLES GENERALE DE SECURITE


⚠ AVERTISSEMENT: Lire et comprendre toutes les instructions. Un non respect de toutes les instructions ci-dessous peut entraîner une électrocution, un incendie et/ou de sérieuses blessures personnelles.

CONSERVER CES INSTRUCTIONS

1. Zone de travail

- (1) **Garder la zone de travail propre et bien éclairée.** Les établis mal rangés et les zones sombres invitent aux accidents.
- (2) **Ne pas utiliser les outils motorisés dans une atmosphère explosive, telle qu'en présence de liquides inflammables, de gaz ou de poussières.** Les outils motorisés créent des étincelles qui risquent d'enflammer la poussière ou les vapeurs.
- (3) **Tenir les spectateurs, les enfants et les visiteurs éloignés, lors de l'utilisation de l'outil motorisé.** Une distraction peut faire perdre le contrôle de la machine.

2. Sécurité électrique

- (1) **Les outils à double isolation sont équipés d'une fiche polarisée (une lame est plus large que l'autre).** Cette fiche ne pénétrera dans une prise secteur polarisée que dans un sens. Si la fiche ne rentre pas complètement dans la prise, la retourner. Si elle ne rentre toujours pas, contacter un électricien qualifié pour installer une prise polarisée. **Ne pas modifier la fiche d'aucune façon.** La double isolation  élimine le besoin d'un cordon d'alimentation à trois fils et d'un système d'alimentation avec mises à la terre.
- (2) **Eviter tout contact corporel avec les surfaces mises à la terre telles que les canalisations, les radiateurs, les réchauds et les réfrigérateurs.** Il y a un risque accru d'électrocution si son corps est mis à la terre.
- (3) **Ne pas exposer les outils motorisés à la pluie ou à l'humidité.** De l'eau pénétrant à l'intérieur de l'outil motorisé augmente le risque d'électrocution.
- (4) **Ne pas maltraiter le cordon d'alimentation. Ne jamais utiliser le cordon pour porter les outils ou tirer sur la fiche du réceptacle. Garder le cordon à l'écart de la chaleur, de l'huile, des arêtes coupantes ou des pièces en mouvement. Remplacer les cordons endommagés immédiatement.** Des cordons endommagés augmentent le risque d'électrocution.
- (5) **Lors de l'utilisation d'un outil motorisé, utiliser un cordon de rallonge extérieur marqué "W-A" ou "W".** Ces cordons sont prévus pour une utilisation extérieure et réduisent les risques d'électrocution.

3. Sécurité personnelle

- (1) **Rester sur ses gardes, regarder ce que l'on fait et utiliser son sens commun lors de l'utilisation d'un outil motorisé. Ne pas utiliser un outil en état de fatigue ou sous l'influence de drogues, d'alcool ou de médicaments.** Un moment d'inattention lors de l'utilisation de l'outil motorisé peut entraîner de sérieuses blessures personnelles.
- (2) **S'habiller correctement. Ne pas porter des vêtements larges ou des bijoux. Attacher les cheveux longs. Tenir ses cheveux, vêtements et ses gants éloignés des parties mobiles.** Les vêtements larges, les bijoux et les cheveux longs peuvent se prendre dans les parties mobiles.
- (3) **Eviter tout démarrage accidentel. S'assurer que le l'interrupteur d'alimentation est sur la position d'arrêt avant de brancher la machine.** Transporter l'appareil avec les doigts sur l'interrupteur d'alimentation ou brancher un outil avec l'interrupteur sur la position marche invite aux accidents.
- (4) **Retirer les clefs d'ajustement ou les commutateurs avant de mettre l'outil sous tension.** Une clef qui est laissée attachée à une partie tournante de l'outil peut provoquer une blessure personnelle.
- (5) **Ne pas trop présumer de ses forces. Garder en permanence une position et un équilibre correct.** Une position et un équilibre correct permettent un meilleur contrôle de l'outil dans des situations inattendues.
- (6) **Utiliser un équipement de sécurité. Toujours porter une protection pour les yeux.** Utiliser un masque à poussière, des chaussures de sécurité antidérapantes, un casque dur et une protection pour les oreilles dans les conditions appropriées.

4. Utilisation de l'outil et entretien

- (1) **Utiliser un étau ou toutes autres façons de fixer et maintenir la pièce à usiner sur une plate-forme stable.** Tenir la pièce avec la main ou contre son corps est instable et peut conduire à une perte de contrôle de l'outil.
- (2) **Ne pas forcer sur l'outil. Utiliser l'outil correct pour l'application souhaitée.** L'outil correct réalisera un meilleur et plus sûr travail dans le domaine pour lequel il a été conçu.
- (3) **Ne pas utiliser un outil s'il ne se met pas sous ou hors tension avec un interrupteur.** Un outil qui ne peut pas être commandé avec un interrupteur est dangereux et doit être réparé.
- (4) **Déconnecter la fiche de la source d'alimentation avant de réaliser tout ajustement, changement d'accessoires ou pour ranger l'outil.** De telles mesures de sécurité réduisent le risque que l'outil ne démarre accidentellement.
- (5) **Ranger les outils inutilisés hors de la portée des enfants et des autres personnes inexpérimentées.** Les outils sont dangereux dans les mains de personnes inexpérimentées.
- (6) **Utiliser un équipement de sécurité.** Toujours porter des lunettes de protection. Utiliser un masque à poussière, des chaussures de sécurité

antidérapantes, un couvre-chef dur ou des protections de l'ouïe dans les conditions appropriées.

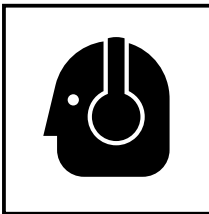
- (7) **Vérifier les défauts d'alignement ou grippage des parties mobiles, les ruptures des pièces et toutes les autres conditions qui peuvent affecter le fonctionnement des outils. En cas de dommage, faire réparer l'outil avant de l'utiliser.** Beaucoup d'accidents sont causés par des outils mal entretenus.
- (8) **Utiliser uniquement les accessoires recommandés par le fabricant pur le modèle utilisé.** Des accessoires qui peuvent convenir à un outil, peuvent devenir dangereux lorsqu'ils sont utilisés avec un autre outil.

5. Réparation

- (1) **La réparation de l'outil ne doit être réalisée uniquement par un réparateur qualifié.** Une réparation ou un entretien réalisé par un personnel non qualifié peut entraîner des risques de blessures.
- (2) **Lors de la réparation d'un outil, utiliser uniquement des pièces de rechange identiques. Suivre les instructions de la section d'entretien de ce mode d'emploi.** L'utilisation de pièces non autorisées ou un non respect des instructions d'entretien peut créer un risque d'électrocution ou de blessures.

REGLES DE SECURITE SPECIFIQUES ET SYMBOLES

- 1. **Tenir les outils par les surfaces de grippage lors de la réalisation d'opération où l'outil de coupe risque d'entrer en contact avec des câbles cachés ou son propre cordon.** Un contact avec un fil "sous tension" mettra les parties métalliques de l'outil "sous tension" et électrocutera l'utilisateur.
- 2. **TOUJOURS porter des protections d'oreille lors de l'utilisation de l'outil pendant de longues périodes.**



Une exposition prolongée à un son de forte intensité peut endommager l'ouïe de l'utilisateur.

- 3. **Utiliser un foret adapté au diamètre de la vis.**
- 4. **Pour visser, appliquer le corps de la visseuse perpendiculairement à la tête de vis.**
- 5. **NE JAMAIS toucher les parties mobiles.**
NE JAMAIS placer ses mains, ses doigts ou toute autre partie de son corps près des parties mobiles de l'outil.
- 6. **NE JAMAIS utiliser l'outil sans que tous les dispositifs de sécurité ne soient en place.**
NE JAMAIS faire fonctionner cet outil sans que tous les dispositifs et caractéristiques de sécurité ne soient en place et en état de fonctionnement. Si

un entretien ou une réparation nécessite le retrait d'un dispositif ou d'une caractéristique de sécurité, s'assurer de bien remettre en place le dispositif ou la caractéristique de sécurité avant de recommencer à utiliser l'outil.

7. Utiliser l'outil correct

Ne pas forcer sur un petit outil ou accessoire pour faire le travail d'un outil de grande puissance. Ne pas utiliser un outil pour un usage pour lequel il n'a pas été prévu: par exemple, ne pas utiliser une scie circulaire pour couper des branches d'arbre ou des bûches.

8. NE JAMAIS utiliser un outil motorisé pour des applications autres que celles spécifiées.

NE JAMAIS utiliser un outil motorisé pour des applications autres que celles spécifiées dans le mode d'emploi.

9. Manipuler l'outil correctement.

Utiliser l'outil de la façon indiquée dans ce mode d'emploi. Ne pas laisser tomber ou lancer l'outil. **NE JAMAIS** permettre que l'outil soit utilisé par des enfants, des personnes non familiarisées avec son fonctionnement ou un personnel non autorisé.

10. Maintenir toutes les vis, tous les boulons et les couvercles fermement en place.

Maintenir toutes les vis, tous les boulons et les couvercles fermement montés. Vérifier leurs conditions périodiquement.

11. Ne pas utiliser les outils motorisés si le revêtement de plastique ou la poignée est fendu.

Des fentes dans le revêtement ou la poignée peuvent entraîner une électrocution. De tels outils ne doivent pas être utilisés avant d'être réparé.

12. Les lames et les accessoires doivent être fermement montés sur l'outil.

Éviter les blessures potentielles personnelles et aux autres. Les lames, les instruments de coupe et les accessoires qui ont été montés sur l'outil doivent être fixés et serrés fermement.

13. Garder propres les événements d'air du moteur.

Les événements d'air du moteur doivent être maintenus propres de façon que l'air puisse circuler librement tout le temps. Vérifier les accumulations de poussière fréquemment.

14. Utiliser l'outil motorisé à la tension nominale.

Utiliser l'outil motorisé à la tension spécifiée sur sa plaque signalétique.

Si l'on utilise l'outil motorisé avec une tension supérieure à la tension nominale, il en résultera une rotation anormalement trop rapide du moteur et cela risque d'endommager l'outil et le moteur risque de griller.

15. NE JAMAIS utiliser un outil défectueux ou qui fonctionne anormalement.

Si l'outil n'a pas l'air de fonctionner normalement, fait des bruits étranges ou sans cela paraît défectueux, arrêter de l'utiliser immédiatement et le faire réparer par un centre de service Hitachi autorisé.

16. NE JAMAIS laisser fonctionner l'outil sans surveillance. Le mettre hors tension.

Ne pas abandonner l'outil avant qu'il ne soit complètement arrêté.

17. Manipuler l'outil motorisé avec précaution.

Si un outil motorisé tombe ou frappe un matériau dur accidentellement, il risque d'être déformé, fendu ou endommagé.

18. Ne pas essuyer les parties en plastique avec du solvant.

Les solvants comme l'essence, les diluants, la benzine, le tétrachlorure de carbone et l'alcool peuvent endommager et fissurer les parties en plastique. Ne pas les essuyer avec de tels solvants.

Essuyer les parties en plastique avec un chiffon doux légèrement imbibé d'une solution d'eau savonneuse et sécher minutieusement.

19. Définitions pour les symboles utilisés sur cet outil.

V ... volts

Hz ... hertz

A ... ampères

n_o ... vitesse sans charge

W ... watt

 ... Construction de classe II

---/min ... tours par minutez

DOUBLE ISOLATION POUR UN FONCTIONNEMENT PLUS SUR

Pour assurer un fonctionnement plus sûr de cet outil motorisé, HITACHI a adopté une conception à double isolation. "Double isolation" signifie que deux systèmes d'isolation physiquement séparés ont été utilisés pour isoler les matériaux conducteurs d'électricité connectés à l'outil motorisé à partir du cadre extérieur manipulé par l'utilisateur. C'est pourquoi, le symbole "☐" ou les mots "Double insulation" (double isolation) apparaissent sur l'outil motorisé ou sur la plaque signalétique. Bien que ce système n'ait pas de mise à terre extérieure, il est quand même nécessaire de suivre les précautions de sécurité électrique données dans ce mode d'emploi, y-compris de ne pas utiliser l'outil motorisé dans un environnement humide.

Pour garder le système de double isolation effectif, suivre ces précautions:

- Seuls le centre de service après-vente Hitachi agréé peuvent démonter et remonter cet outil motorisé et uniquement des pièces de rechange HITACHI garanties d'origine doivent être utilisées.
- Nettoyer l'extérieur de l'outil motorisé uniquement avec un chiffon doux légèrement imbibé d'une solution savonneuse et essuyer minutieusement. Ne jamais utiliser des solvants, de l'essence ou des diluants sur les parties en plastique; sinon le plastique risquerait de se dissoudre.

**CONSERVER CES INSTRUCTIONS
ET
LES METTRE A LA DISPOSITION
DES AUTRES UTILISATEURS
ET
PROPRIETAIRES DE CET OUTIL!**

DESCRIPTION FONCTIONNELLE

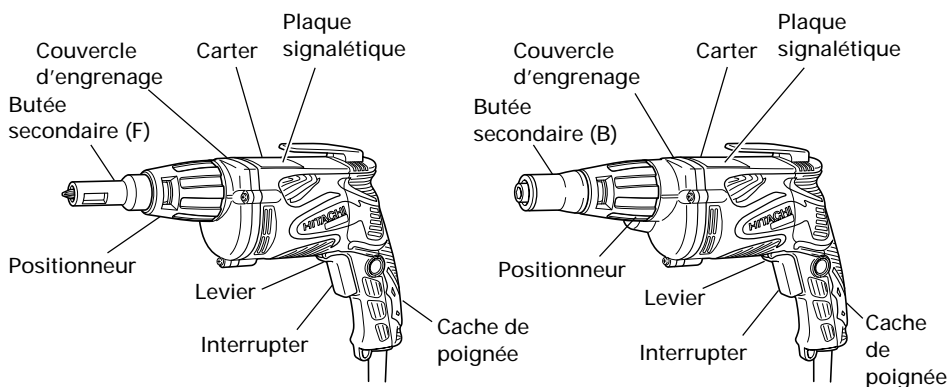
REMARQUE:

Les informations contenues dans ce mode d'emploi sont conçues pour assister l'utilisateur dans une utilisation sans danger et un entretien de l'outil motorisé.

NE JAMAIS utiliser ni entreprendre une révision de l'outil sans avoir d'abord lu et compris toutes les instructions de sécurité contenues dans ce manuel.

Certaines illustrations dans ce mode d'emploi peuvent montrer des détails ou des accessoires différents de ceux de l'outil motorisé utilisé.

NOM DES PARTIES



W6VM • W6V4 • W6VA4

W6VB3 • W8VB2

Fig. 1

SPECIFICATIONS

Modèle	W6VM	W6V4	W6VA4	W6VB3	W8VB2
Moteur	Moteur série monophasé à collecteur				
Source d'alimentation	Secteur, 120V 60 Hz, monophasé				
Courant	6,5 A				
Vitesse sans charge	0-6000/min.	0-4500/min.	0-3000/min.	0-2600/min.	0-1700/min.
Capacité	Vis Drywall	3/16" (5 mm)	1/4" (6 mm)		
	Vis autoperçuse	1/4" (6 mm)			5/16" (8 mm)
Poids	3,1 lbs (1,4 kg)			3,3 lbs (1,5 kg)	

ASSEMBLAGE ET FONCTIONNEMENT

APPLICATIONS

- Serrage de vis à tête six pans.
- Serrage de vis Drywall, de vis à bois et de vis autoperçantes.

REMARQUE :

Pour visser des vis auto-foreuses, il est recommandé d'utiliser une butée secondaire (B) et un porte-vis non magnétique (vendu séparément).

AVANT L'UTILISATION

1. Source d'alimentation

S'assurer que la source d'alimentation qui doit être utilisée est conforme à la source d'alimentation requise spécifiée sur la plaque signalétique du produit.

2. Interrupteur d'alimentation

S'assurer que l'interrupteur est sur la position OFF (arrêt). Si la fiche est connectée sur une prise alors que l'interrupteur est sur la position ON (marche), l'outil motorisé démarrera immédiatement risquant de causer de sérieuses blessures.

3. Cordon prolongateur

Quand la zone de travail est éloignée de la source d'alimentation, utiliser un cordon prolongateur d'épaisseur et de capacité nominale suffisante. Le cordon prolongateur doit être aussi court que possible.



⚠ AVERTISSEMENT:

Tout cordon endommagé devra être remplacé ou réparé.

4. Vérifier la prise

Si la prise reçoit la fiche avec beaucoup de jeu, elle doit être réparée. Contacter un électricien licencié pour réaliser les réparations nécessaires.

Si une telle prise défectueuse est utilisée, elle peut causer une surchauffe entraînant des dangers sérieux.

5. Vérification des conditions d'environnement

Vérifier que l'état de l'aire de travail est conforme aux précautions.

6. Vérifier la direction de la tête de vissage (Fig.2)

La tête de vissage tourne dans le sens des aiguilles d'une montre (vue depuis l'arrière) lorsque le levier inverseur est réglé sur la position latérale "R". Lorsque le levier est réglé sur la position latérale "L", la tête de serrage tourne dans le sens contraire des aiguilles d'une montre et peut être utilisée pour desserrer et retirer les vis.

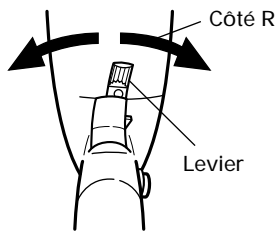


Fig. 2

⚠ PRECAUTION :

Ne jamais intervertir le sens de rotation du foret pendant le fonctionnement de la visseuse. Couper l'interrupteur principal avant de changer le sens de rotation, sinon l'on risque de brûler le moteur.

7. Réglage de la profondeur de serrage (Fig. 3)

La profondeur de serrage peut être réglée en tournant le localisateur vers la droite et la gauche jusqu'à émission d'un clic.

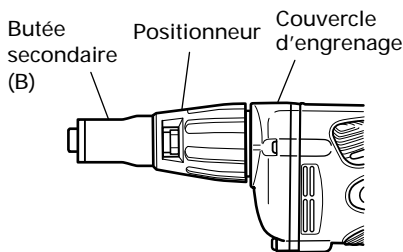


Fig. 3

(1) Pour vis à tête à six pans (Fig. 4)

Monter une vis à tête à six pans sur le manchon à six pans et régler la distance entre l'extrémité de la butée secondaire et la tête de la vis à 0,04" - 0,06" (1-1,5 mm).

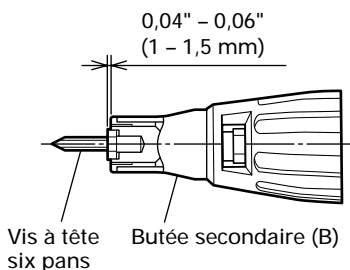


Fig. 4

(2) Pour vis Drywall (Fig. 5)

Monter une vis Drywall sur la tête de vissage et régler la distance entre l'extrémité de la butée secondaire et la tête de la vis à 0,06" - 0,07" (1,5-2 mm).

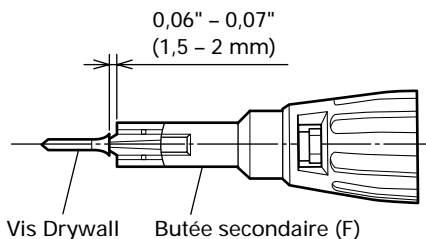


Fig. 5

(3) Pour vis autoperceuses à tête ronde (Fig. 6)

Monter les vis autoperceuses sur la tête de vissage et régler la distance entre l'extrémité de la butée secondaire et la base de la tête des vis à 0,04" - 0,06" (1-1,5 mm).

8. Montage de la mèche
 Pour les détails, voyez l'article sur le "Montage et démontage du manchon six pans ou de la mèche".

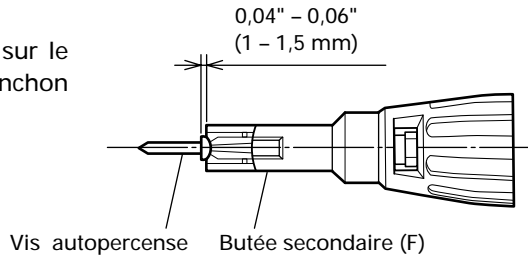


Fig. 6

COMMENT UTILISER LA VISSEUSE

1. Fonctionnement de l'interrupteur et réglage de la vitesse de rotation

La vitesse de rotation de la mèche peut être réglée entre 0–6000/min (W6VM) ou 0–4500/min (W6V4) ou 0–3000/min (W6VA4) ou 0–2600/min (W6VB3) ou 0–1700/min (W8VB2), selon la force avec laquelle on appuie sur l'interrupteur à détente. La vitesse de rotation augmente lorsqu'on appuie sur l'interrupteur à détente, et elle atteint une vitesse maximale de 6000/min (W6VM) ou 4500/min (W6V4) ou 3000/min (W6VA4) ou 2600/min (W6VB3) ou 1700/min (W8VB2) lorsqu'on appuie complètement sur l'interrupteur à détente.

Pour faciliter le fonctionnement continu, presser l'interrupteur à détente et appuyez sur le cliquet d'arrêt. L'interrupteur reste sur MARCHE même si on retire le doigt. En pressant de nouveau la détente, le cliquet se relâche et l'interrupteur passe sur ARRÊT lorsqu'on lâche la détente.

2. Fonctionnement de la visseuse

Quand l'interrupteur est amené sur ON, le moteur commence à tourner mais le manchon six pans (ou la mèche) ne tourne pas. Guider le manchon six pans sur la gorge de la tête de la vis et appuyer la visseuse contre la vis. Le manchon six pans se met à tourner et la vis est serrée.

PRECAUTION

Toujours tenir la visseuse bien perpendiculairement à la tête de la vis. Si elle est biaisée, la force motrice ne sera pas transmise intégralement à la vis et la tête de vis et/ou le manchon six pans sera endommagé. La rotation du manchon six pans s'arrête quand la force de poussée est relâchée.

3. Sens de rotation du manchon six pans

Le manchon six pans tourne dans le sens des aiguilles d'une montre (vu de l'arrière) quand le sélecteur de marche arrière est amené sur la position "R". Quand le sélecteur est réglé sur la position "L", le manchon six pans tourne dans le sens contraire des aiguilles d'une montre et peut être utilisé pour desserrer et retirer les vis.

⚠ PRECAUTION

Ne jamais changer le sens de rotation du manchon six pans quand le moteur tourne. Le cas échéant il y a de fortes chances d'endommager le moteur. Amener l'interrupteur d'alimentation sur OFF avant de changer le sens de rotation du manchon six pans.

4. Serrage d'une vis auto-foreuse

Lorsqu'on utilise le porte-vis magnétique fourni pour visser une vis auto-foreuse dans une tôle d'acier, le matériau découpé qui restera coincé dans le foret magnétique risque d'amoindrir le rendement.

Pour y remédier, il est recommandé d'utiliser le porte-vis non magnétique (accessoire en option. Le cône de centrage en acier inoxydable avec manchon (accessoire en option) empêchera le manchon de s'user.

MONTAGE ET DEMONTAGE DU MANCHON SIX PANS OU DE LA MECHE

⚠ PRECAUTION

Bien éteindre l'outil et débrancher la fiche de la prise secteur pour éviter tout ennui grave.

1. Démontage du manchon six pans (Fig. 7)

- (1) Sortir la butée secondaire du positionneur en la tournant.
- (2) Démonter le manchon six pans en le maintenant par le côté opposé à la mèche ou en le serrant dans un étau pour sortir la mèche à l'aide de pinces.

2. Démontage de la mèche (Fig. 8)

Démonter la butée secondaire (G) en procédant comme pour le manchon à six pans ; puis, extraire la mèche à l'aide de pinces.

3. Démontage de la mèche (Fig. 9)

Démonter la butée secondaire (F) en procédant comme pour le manchon à six pans et déposer le porte-mèche ; puis, extraire la mèche à l'aide de pinces.

4. Montage du manchon six pans ou de la mèche

Monter la mèche en procédant dans l'ordre inverse de la dépose.

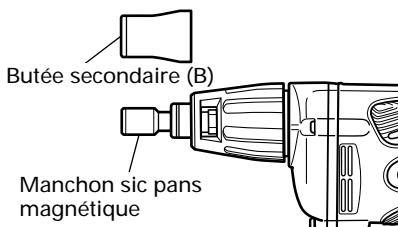


Fig. 7

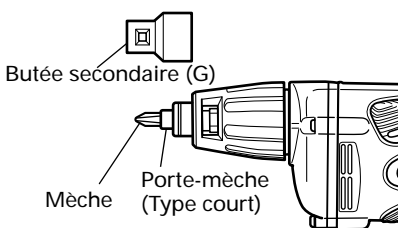


Fig. 8

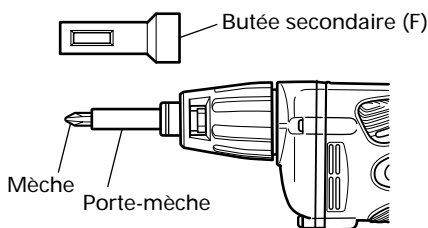


Fig. 9

ENTRETIEN ET INSPECTION

⚠ AVERTISSEMENT: S'assurer de mettre l'interrupteur d'alimentation sur la position OFF et de déconnecter la fiche de la prise secteur avant l'entretien et l'inspection de la meuleuse.

1. Inspection du manchon six pans (ou de la mèche)
Etant donné que l'utilisation continue d'un manchon six pans usé (ou mèche) endommagera les têtes de vis, il convient de remplacer le manchon six pans (mèche) par un neuf dès que l'on constate toute usure excessive.
2. Inspection des vis
Inspecter régulièrement toutes les vis et s'assurer qu'elles sont correctement serrées. Si l'une des vis était desserrée, la resserrer immédiatement.

⚠ AVERTISSEMENT: Utiliser la visseuse avec des vis desserrées est extrêmement dangereux.

3. Entretien du moteur
Le bobinage de l'ensemble moteur est le "coeur" même de l'outil électro-portatif. Veiller soigneusement à ce que ce bobinage ne soit pas endommagé et/ou mouillé par de l'huile ou de l'eau.
4. Nettoyage de la surface de l'outil
Essuyer l'huile et la saleté de la surface de l'outil avec un chiffon sec ou un chiffon humecté d'eau savonneuse.
5. Inspection des balais au charbon
Pour une sécurité continue et une protection contre les chocs électriques, l'inspection des balais au charbon et leur remplacement sur cet outil doivent être réalisés UNIQUEMENT par un centre de service après-vente Hitachi agréé.
6. Entretien et réparation
Tous les outils motorisés de qualité auront éventuellement besoin d'une réparation ou du remplacement d'une pièce à cause de l'usure normale de l'outil. Pour assurer que seules des pièces de rechange autorisées seront utilisées, tous les entretiens et les réparations doivent être effectués UNIQUEMENT par un centre de service après-vente Hitachi agréé.
7. Liste des pièces de rechange
 - A: No. élément
 - B: No. code
 - C: No. utilisé
 - D: Remarques

⚠ PRECAUCIÓN : Les réparations, modifications et inspections des outils électriques Hitachi doivent être confiées à un service après-vente Hitachi agréé.

Il sera utile de présenter cette liste de pièces au service après-vente Hitachi agréé lorsqu'on apporte un outil nécessitant des réparations ou tout autre entretien.

Lors de l'utilisation et de l'entretien d'un outil électrique, respecter les règlements et les normes de sécurité en vigueur dans le pays en question.

MODIFICATIONS :

Les outils électriques Hitachi sont constamment améliorés et modifiés afin d'incorporer les tous derniers progrès technologiques.

En conséquence, il est possible que certaines pièces (c.-à-d. no. de code et/ou dessin) soient modifiées sans avis préalable.

ACCESSOIRES

⚠ AVERTISSEMENT: TOUJOURS utiliser UNIQUEMENT des pièces de rechange et des accessoires HITACHI. Ne jamais utiliser de pièce de rechange ou d'accessoires qui ne sont pas prévus pour être utilisé avec cet outil. En cas de doute, contacter HITACHI pour savoir si une pièce de rechange ou un accessoire particulier peuvent être utilisés en toute sécurité avec votre outil.

L'utilisation de tout autre attachement ou accessoire peut être dangereux et peut causer des blessures ou des dommages mécaniques.

REMARQUE:

Les accessoires sont sujets à changement sans obligation de la part de HITACHI.

ACCESSOIRES STANDARD

<W6VM • W6V4 • W6VA4>

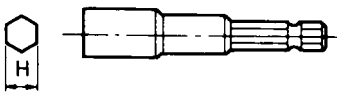
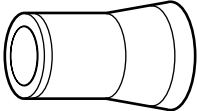
- (1) Embout vissage Phillips (No. de code 971511Z) 1
- (2) Porte-mèche magnétique (No. de code 982554Z) 1
- (3) Butée secondaire (F) (No. de code 323351) 1

<W6VB3 • W8VB2>


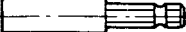
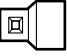


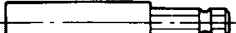
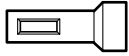

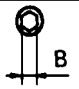

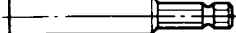
- (1) Manchon sic pans magnétique (H=5/16" (7,94 mm)) (No. de code 985322) 1
- (2) Butée secondaire (B) (H=5/16" (7,94 mm)) (No. de code 317671) 1

ACCESSOIRES SUR OPTION vendus séparément

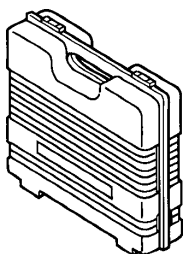
1. Pour vis à tête six pans

Manchon six pans				Butée secondaire (B)	
					
Type magnétique		Type non magnétique			
Dimension	No. de code	Dimension	No. de code	Dimension	No. de code
H 1/4	985332	H 1/4	985328	H 1/4	317827
H 5/16	985322	H 5/16	985327	H 5/16	317671
H 3/8	985330	H 3/8	985326	H 3/8	317670

2. Pour les autres vis

Tête visseuse	Mèche			Porte-mèche	Butée secondaire
	Type	Dimension	No. de code		
⊕		No.1 No.2 No.3	985333 971511Z 971512Z	 Porte-mèche magnétique (Type court)	 Butée secondaire (G) (No. de code 323352)
		No.1 No.2	985334 985335		
⊖		No.1 No.2 No.3	985336 985337 985338	 Porte-mèche magnétique (No. de code 982554Z)	 Butée secondaire (F) (No. de code 323351)
		No.1 No.2	985340 985341		
		Taille B 5/32" (4 mm) 13/64" (5 mm)	985342 985343	 Porte-mèche non-magnétique (No. de code 982563Z)	

3. Boîtier en plastique (No. de code 310504)



REMARQUE:

Les spécifications sont sujettes à modification sans aucune obligation de la part de HITACHI.

INFORMACIÓN IMPORTANTE SOBRE SEGURIDAD

Antes de utilizar o de realizar cualquier trabajo de mantenimiento de esta herramienta eléctrica, lea y comprenda todas las precauciones de seguridad, advertencias e instrucciones de funcionamiento de este Manual de instrucciones.

La mayoría de los accidentes producidos en la operación y el mantenimiento de una herramienta eléctrica se deben a la falta de observación de las normas o precauciones de seguridad. Los accidentes normalmente podrán evitarse reconociendo una situación potencialmente peligrosa a tiempo y siguiendo los procedimientos de seguridad apropiados.

Las precauciones básicas de seguridad se describen en la sección "SEGURIDAD" de este Manual de instrucciones y en las secciones que contienen las instrucciones de operación y mantenimiento.

Para evitar lesiones o el daño de la herramienta eléctrica, los riesgos están identificados con ADVERTENCIAS en dicha herramienta y en este Manual de instrucciones.

No utilice **NUNCA** esta herramienta eléctrica de ninguna forma que no esté específicamente recomendada por HITACHI.

SIGNIFICADO DE LAS PALABRAS DE SEÑALIZACIÓN

ADVERTENCIA indica situaciones potencialmente peligrosas que, si se ignoran, pueden resultar en la muerte o en lesiones de gravedad.

PRECAUCIÓN indica situaciones potencialmente peligrosas que, de no evitarse, pueden resultar en lesiones menores o moderadas, o causar daños en la herramienta eléctrica.

NOTA acentúa información esencial.

SEGURIDAD

NORMAS GENERALES DE SEGURIDAD


⚠ ADVERTENCIA: Lea y entienda todas las instrucciones. Si no sigue las instrucciones indicadas a continuación, pueden producirse descargas eléctricas, incendios, y/o lesiones serias.

GUARDE ESTAS INSTRUCCIONES

1. Área de trabajo

- (1) **Mantenga el área de trabajo limpia y bien iluminada.** Los bancos de trabajo desordenados y las áreas oscuras pueden conducir a accidentes.
- (2) **No utilice la herramienta en atmósferas explosivas, como en presencia de líquidos inflamables, gases, o polvo.** La herramienta eléctrica crea chispas que pueden incendiar polvo o gases.
- (3) **Mantenga alejadas a otras personas, niños o visitantes, cuando utilice la herramienta eléctrica.** Las distracciones pueden hacer que pierda el control de la herramienta.

2. Seguridad eléctrica

- (1) **Las herramientas eléctricas con aislamiento doble poseen un enchufe polarizado (una cuchilla es más ancha que la otra.) Este enchufe encajará en un tomacorriente polarizado de una sola forma. Si el enchufe no entra completamente en el tomacorriente, invierta su sentido de inserción. Si sigue sin entrar, póngase en contacto con un electricista cualificado para que le instale un tomacorriente polarizado. No cambie nunca el enchufe.** El aislamiento doble  elimina la necesidad de un cable de alimentación de tres conductores, uno para puesta a tierra, y del sistema de alimentación con puesta a tierra.
- (2) **Evite el contacto con superficies con puesta a tierra, tales como tubos, radiadores, hornos, y refrigeradores.** Si toca tierra, existe el peligro de que reciba una descarga eléctrica.
- (3) **No exponga la herramienta eléctrica a la lluvia ni a la humedad.** La entrada de agua en la herramienta eléctrica aumentará el riesgos de descargas eléctricas.
- (4) **No maltrate el cable de alimentación. No utilice nunca el cable de alimentación para transportar la herramienta ni para desconectarla del tomacorriente. Mantenga el cable alejado del calor, aceite, bordes cortantes, o partes móviles. Reemplace inmediatamente cualquier cable dañado. Un cable dañado puede ser la causa de descargas eléctricas.**

- (5) Cuando utilice la herramienta eléctrica en exteriores, utilice un cable prolongador marcado con "W-A" o "W". Estos cables han sido diseñados para utilizarse en exteriores y reducir el riesgo de descargas eléctricas.

3. Seguridad personal

- (1) **Esté siempre alerta y utilice el sentido común cuando utilice la herramienta eléctrica. No utilice la herramienta cuando esté cansado o bajo la influencia de medicamentos ni de alcohol.** Un descuido al utilizar la herramienta eléctrica puede resultar en una lesión seria.
- (2) **Vístase adecuadamente. No utilice ropa floja ni joyas. Si tiene pelo largo, recójase.** Mantenga su pelo, ropa, y guantes alejados de las partes móviles. La ropa floja, las joyas, o el pelo largo pueden engancharse en las partes móviles.
- (3) **Evite la puesta en marcha accidental. Cerciórese de que la alimentación de la herramienta eléctrica esté desconectada antes de enchufarla en una toma de la red.** Si lleva la herramienta eléctrica con el dedo colocado en el interruptor, o si la enchufa con dicho interruptor cerrado, es posible que se produzcan accidentes.
- (4) **Quite las llaves de ajuste y abra los interruptores antes de poner en funcionamiento la herramienta.** Una llave dejada en una parte móvil de la herramienta podría resultar en lesiones.
- (5) **No sobrepase su alcance. Mantenga en todo momento un buen equilibrio.** El conservar en todo momento el equilibrio le permitirá controlar mejor la herramienta en situaciones inesperadas.
- (6) **Utilice equipos de seguridad. Utilice siempre protección ocular.** Para conseguir las condiciones apropiadas, utilice una mascarilla contra el polvo, zapatos no resbaladizos o protección auditiva.

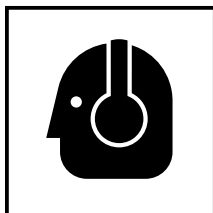
4. Utilización y cuidados de la herramienta

- (1) **Utilice abrazaderas u otra forma práctica de asegurar y sujetar la pieza de trabajo sobre una plataforma estable.** La sujeción de la pieza de trabajo con la mano o contra su cuerpo puede ser inestable y conducir a la pérdida del control.
- (2) **No fuerce la herramienta. Utilice la herramienta correcta para su aplicación.** Con la herramienta correcta realizará mejor el trabajo y ésta será más segura para la velocidad para la que ha sido diseñada.
- (3) **No utilice la herramienta si el interruptor de alimentación de la misma no funciona.** Cualquier herramienta que no pueda controlarse con el interruptor de alimentación puede resultar peligrosa, y deberá repararse.
- (4) **Desconecte el enchufe del cable de alimentación antes de realizar cualquier ajuste, cambiar accesorios, o guardar la herramienta.** Tales medidas preventivas de seguridad reducirán el riesgo de que la herramienta se ponga en funcionamiento accidentalmente.
- (5) **Guarde las herramientas que no vaya a utilizar fuera del alcance de niños y de otras personas no entrenadas.** Las herramientas son peligrosas en manos de personas inexpertas.

- (6) **Realice el mantenimiento cuidadoso de las herramientas. Mantenga las herramientas afiladas y limpias.** Las herramientas adecuadamente mantenidas, con los bordes cortantes afilados, serán más fáciles de utilizar y controlar.
 - (7) **Compruebe que las piezas móviles no estén desalineadas ni atascadas, que no hayan piezas rotas, y demás condiciones que puedan afectar la operación de las herramientas. En caso de que una herramienta esté averiada, repárela antes de utilizarla.** Muchos de los accidentes se deben a herramientas mal cuidadas.
 - (8) **Utilice solamente los accesorios recomendados por el fabricante para su modelo.** Los accesorios adecuados para usar con una herramienta pueden ser peligrosos cuando se utilicen con otra.
5. **Servicio de reparación**
- (1) **El servicio de reparación deberá realizarlo solamente personal cualificado.** El servicio de mantenimiento o reparación realizado por persona no cualificado podría resultar en el riesgo de lesiones.
 - (2) **Para el servicio de mantenimiento o reparación de una herramienta, utilice solamente piezas de repuesto idénticas. Siga las instrucciones de la sección de mantenimiento de este manual.** La utilización de piezas no autorizadas, o el no seguir las indicaciones del Manual de instrucciones puede crear el riesgo de descargas eléctricas u otras lesiones.

NORMAS Y SÍMBOLOS ESPECÍFICOS DE SEGURIDAD


- 1. **Sujete las herramientas por las superficies de empuñadura aisladas cuando realice una operación en la que la herramienta de corte pueda entrar en contacto con cables ocultos o con su propio cable de alimentación.** El contacto con un conductor "activo" "activará" las partes metálicas de la herramienta y el operador recibirá una descarga eléctrica.
- 2. **SIEMPRE utilice protectores auditivos cuando tenga que utilizar la herramienta durante mucho tiempo.**



La exposición prolongada a ruido de gran intensidad puede causar la sordera.

- 3. **Utilice una broca de atornillador apropiada al diámetro del tornillo.**
- 4. **Para atornillar un tornillo, aplique el cuerpo del atornillador perpendicularmente a la cabeza del tornillo.**

5. **NO toque NUNCA las piezas móviles.**
NO coloque **NUNCA** sus manos, dedos, ni demás partes del cuerpo cerca de las piezas móviles de la herramienta.
6. **NO utilice NUNCA la herramienta sin los protectores colocados en su lugar.**
NO utilice **NUNCA** esta herramienta sin los protectores de seguridad correctamente instalados. Si el trabajo de mantenimiento o de reparación requiere el desmontaje de un protector de seguridad, cerciórese de volver a instalarlo antes de utilizar la herramienta.
7. **Utilice la herramienta correcta.**
No fuerce herramientas ni accesorios pequeños para realizar un trabajo pesado. No utilice las herramientas para fines no proyectados, por ejemplo, no utilice esta amoladora angular para cortar madera.
8. **NO utilice NUNCA una herramienta eléctrica para aplicaciones que no sean las especificadas.**
NO utilice **NUNCA** una herramienta eléctrica para aplicaciones no especificadas en este Manual de instrucciones.
9. **Maneje correctamente la herramienta.**
Maneje la herramienta de acuerdo con las instrucciones ofrecidas aquí. No deje caer ni tire la herramienta. **NO** permita **NUNCA** que los niños ni otras personas no autorizadas ni familiarizadas con la operación de la herramienta utilicen ésta.
10. **Mantenga todos los tornillos, pernos, y cubiertas firmemente fijados en su lugar.**
Mantenga todos los tornillos, pernos, y cubiertas firmemente montados. Compruebe periódicamente su condición.
11. **No utilice herramientas eléctricas si la carcasa o la empuñadura de plástico está rajada.**
Las rajaduras en la carcasa o en la empuñadura de plástico pueden conducir a descargas eléctricas. Tales herramientas no deberán utilizarse mientras no se hayan reparado.
12. **Las cuchillas y los accesorios deberán montarse con seguridad en la herramienta.**
Evite lesiones personales y de otras personas. Las cuchillas, los accesorios de corte, y demás accesorios montados en la herramienta deberán fijarse con seguridad.
13. **Mantenga limpio el conducto de ventilación del motor.**
El conducto de ventilación del motor limpio para que el aire pueda circular libremente en todo momento. Compruebe frecuentemente y limpie el polvo acumulado.
14. **Utilice las herramientas eléctricas con la tensión de alimentación nominal.**
Utilice las herramientas eléctricas con las tensiones indicadas en sus placas de características.
La utilización de una herramienta eléctrica con una tensión superior a la nominal podría resultar en revoluciones anormalmente altas del motor, en el daño de la herramienta, y en la quemadura del motor.

- 15. NO utilice NUNCA una herramienta defectuosa o que funcione anormalmente.**
Si la herramienta parece que funciona anormalmente, produciendo ruidos extraños, etc., deje inmediatamente de utilizarla y solicite su arreglo a un centro de reparaciones autorizado por Hitachi.
- 16. NO deje NUNCA la herramienta en funcionamiento desatendida. Desconecte su alimentación.**
No deje sola la herramientas hasta mientras no se haya parado completamente.
- 17. Maneje con cuidado las herramientas eléctricas.**
Si una herramienta eléctrica se ha caído o ha chocado inadvertidamente contra materiales duros, es posible que se haya deformado, rajado, o dañado.
- 18. No limpie las partes de plástico con disolvente.**
Los disolventes, como gasolina, diluidor de pintura, bencina, tetracloruro de carbono, y alcohol pueden dañar o rajar las partes de plástico. No las limpie con tales disolventes.
Limpie las partes de plástico con un paño suave ligeramente humedecido en agua jabonosa y después séquelas bien.
- 19. Definiciones para los símbolos utilizados en esta herramienta.**
V ... voltios
Hz ... hertzios
A ... amperios
n_o ... velocidad sin carga
W ... vatios
 ... Construcción de clase II
---/min ... revoluciones por minuto

ASLAMIENTO DOBLE PARA OFRECER UNA OPERACIÓN MÁS SEGURA

Para garantizar una operación más segura de esta herramienta eléctrica, HITACHI ha adoptado un diseño de aislamiento doble. "Aislamiento doble" significa que se han utilizado dos sistemas de aislamiento físicamente separados para aislar los materiales eléctricamente conductores conectados a la fuente de alimentación del bastidor exterior manejado por el operador. Por lo tanto, en la herramienta eléctrica o en su placa de características aparecen el símbolo "☐" o las palabras "Double insulation" (aislamiento doble).

Aunque este sistema no posee puesta a tierra externa, usted deberá seguir las precauciones sobre seguridad eléctrica ofrecidas en este Manual de instrucciones, incluyendo la no utilización de la herramienta eléctrica en ambientes húmedos.

Para mantener efectivo el sistema de aislamiento doble, tenga en cuenta las precauciones siguientes:

- Esta herramienta eléctrica solamente deberá desensamblar y ensamblarla por un Centro de Servicio Autorizado de Hitachi, y solamente deberán utilizarse con ella piezas de reemplazo genuinas de HITACHI.
- Limpie el exterior de la herramienta eléctrica solamente con un paño suave humedecido en agua jabonosa, y después séquela bien.
No utilice disolventes, gasolina, ni diluidor de pintura para limpiar las partes de plástico, ya que podría disolverlas.

**¡GUARDE ESTAS
INSTRUCCIONES
Y
PÓNGALAS A DISPOSICIÓN DE
OTROS USUARIOS
Y
PROPIETARIOS DE ESTA
HERRAMIENTA!**

DESCRIPCIÓN FUNCIONAL

NOTA:

La información contenida en este Manual de instrucciones ha sido diseñada para ayudarle a utilizar con seguridad y mantener esta herramienta eléctrica.

NUNCA haga funcionar ni efectúe el mantenimiento de la herramienta antes de leer y comprender todas las instrucciones de seguridad contenidas en este manual.

Algunas ilustraciones de este Manual de Instrucciones pueden mostrar detalles o accesorios diferentes a los de la propia herramienta eléctrica.

NOMENCLATURA

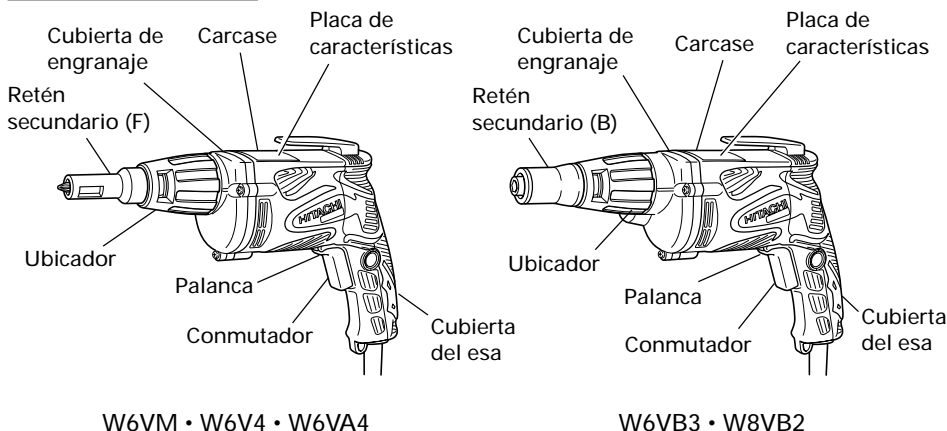


Fig. 1

ESPECIFICACIONES

Modelo	W6VM	W6V4	W6VA4	W6VB3	W8VB2
Motor	Motor conmutador en serie monofásico				
Fuente de alimentación	120 V CA, 60 Hz, monofásica				
Corriente	6,5 A				
Velocidad sin carga	0-6000/min.	0-4500/min.	0-3000/min.	0-2600/min.	0-1700/min.
Capacidad	Tornillo-Drywall	3/16" (5 mm)	1/4" (6 mm)		
	Tornillo autorroscante	1/4" (6 mm)			5/16" (8 mm)
Peso	3,1 lbs (1,4 kg)			3,3 lbs (1,5 kg)	

MONTAJE Y OPERACIÓN

APLICACIONES

- Para apretar tornillos de cabeza hexagonal
- Para apretar tornillos Drywall, tornillos para madera y tornillos autorroscante.

NOTA:

Para apretar tornillos autotaladradores, se recomienda utilizar un retén secundario (B) y un portabrocas no magnético (vendidos aparte).

ANTES DE LA OPERACIÓN

1. Fuente de alimentación

Cerciórese de que la fuente de alimentación que vaya a utilizar cumpla los requisitos indicados en la placa de características del producto.

2. Interruptor de alimentación

Cerciórese de que el interruptor de alimentación esté en la posición OFF. Si enchufase el cable de alimentación en un tomacorriente de la red con el interruptor en ON, la herramienta eléctrica comenzaría a funcionar inmediatamente, lo que podría provocar lesiones serias.

3. Cable prolongador

Cuando el área de trabajo esté alejada de la fuente de alimentación, utilice un cable prolongador de suficiente grosor y con la capacidad nominal. El cable prolongador deberá mantenerse lo más corto posible.



⚠ ADVERTENCIA:
Si un cable está dañado deberá reemplazarse o repararse.

4. Comprobación del tomacorriente

Si el enchufe del cable de alimentación queda flojo en el tomacorriente, habrá que reparar éste. Póngase en contacto con un electricista cualificado para que realice las reparaciones adecuadas.

Si utilizase un tomacorriente en este estado, podría producirse recalentamiento, lo que supondría un riesgo serio.

5. Confirme las condiciones del medio ambiente

Confirme que el lugar de trabajo esté en las condiciones apropiadas de acuerdo con las precauciones descritas.

6. Confirmar la dirección de rotación de la broca (Fig. 2)

La broca rota en sentido de las manillas de un reloj (visto desde atrás), cuando la palanca de marcha inversa está puesta en la posición del lado "R". Cuando se pone la palanca en la posición del lado "L" la broca rota en el sentido contrario a las manillas de un reloj y puede ser usada para aflojar y quitar tornillos.

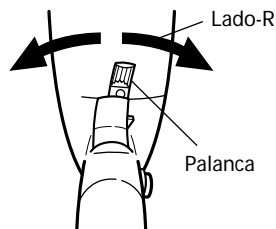


Fig. 2

⚠ PRECAUCIÓN:

No cambie nunca el sentido de giro de la broca con el atornillador en funcionamiento. Antes de cambiar el sentido de giro, ponga en OFF el interruptor principal, ya que de lo contrario el motor podría quemarse.

7. Ajustar la profundidad de apretado (Fig. 3)

La profundidad de apriete se puede ajustar girando el localizador a derecha e izquierda hasta que haga clic.

(1) Para tornillos de cabeza hexagonal (Fig. 4)
Monte un tornillo de cabeza hexagonal en el portatornillos y fije la distancia de 0,04" – 0,06" (1 – 1,5 mm) entre el extremo del retén secundario y el extremo de la cabeza del tornillo.

(2) Para tornillos-Drywall (Fig. 5)
Montar el tornillo-Drywall en la broca y graduar la distancia entre el extremo del retén secundario y la cabeza del tornillo a 0,06" – 0,07" (1,5 – 2 mm).

(3) Para tornillos autorroscante de grandes (Fig. 6)

Montar el tornillo autorroscante en la broca y graduar la distancia entre el extremo del retén secundario y la base del tornillo autorroscante a 0,04" – 0,06" (1 – 1,5 mm).

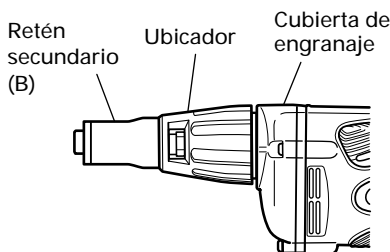


Fig. 3

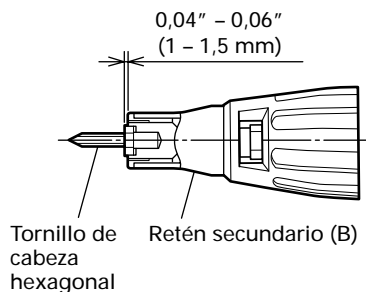


Fig. 4

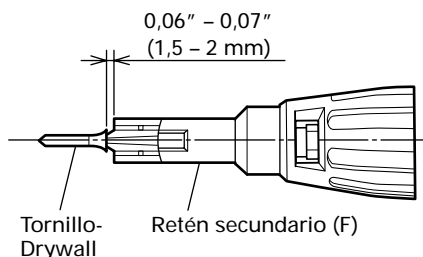


Fig. 5

8. Colocación de broca

Para los detalles correspondientes, referirse al punto "Montaje y desmontaje del portatornillos hexagonal o de la broca".

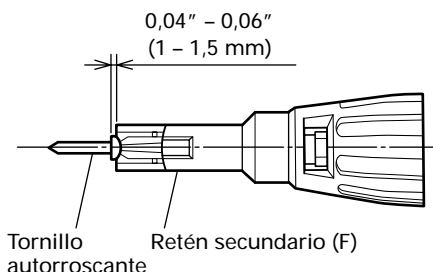


Fig. 6

COMO USAR EL DESTORNILLADOR

1. Operación del conmutador y ajustamiento de la velocidad de rotación

La velocidad de rotación de la broca se puede ajustar entre 0–6000/min (W6VM) o 0–4500/min (W6V4) o 0–3000/min (W6VA4) o 0–2600/min (W6VB3) o 0–1700/min (W8VB2), variando el grado en el que se tira del interruptor de gatillo. La velocidad de rotación aumenta al tirar del interruptor de gatillo, y alcanza una velocidad máxima de 6000/min (W6VM) o 4500/min (W6V4) o 3000/min (W6VA4) o 2600/min (W6VB3) o 1700/min (W8VB2) cuando se tira por completo del interruptor de gatillo.

Para facilitar una operación continua, apriete el pulsador y presione el dispositivo de ajuste. El interruptor permanecerá en ON aunque retire su dedo. Apretando el pulsador otra vez el dispositivo de ajuste se desengancha y el interruptor se pone en OFF (desconectado) al soltar el pulsador.

2. Funcionamiento del destornillador

Cuando se coloca el interruptor en ON comienza a funcionar el motor pero el portatornillos (o la boca) no giran. Ajuste el portatornillos hexagonal en la ranura de la cabeza del tornillo y presione el atornillador contra el tornillo. Luego, gira el portatornillos hexagonal apretando el tornillo.

PRECAUCIÓN

Asegúrese de que el atornillador se mantenga perpendicularmente a la cabeza del tornillo. Si se mantiene en ángulo no se efectuará completamente la fuerza de transmisión al tornillo dañándose la cabeza del mismo y/o el portatornillos hexagonal. El giro del portatornillos se detiene cuando se libera la fuerza de empuje.

3. Dirección de giro del portatornillos

El portatornillos hexagonal gira hacia la derecha (visto desde atrás) cuando la palanca del interruptor de marcha atrás se coloca en la posición "R". Cuando se coloca en la posición "L" el portatornillos gira hacia la izquierda y se puede usar para soltar y retirar el tornillo.

 PRECAUCIÓN

Nunca cambie el sentido de giro del portatornillos hexagonal mientras esté en funcionamiento el motor ya que dañaría gravemente el motor.

Coloque el interruptor en la posición OFF antes de cambiar la dirección de giro del portatornillos hexagonal.

4. Inserción de tornillos autotaladradores

Cuando utilice el portabrocas magnético suministrado para insertar tornillos autotaladradores en una plancha de acero, el material cortado pegado a la broca magnética degradará la eficacia del trabajo.

Para evitar esto, se recomienda utilizar un portabrocas no magnético (accesorio opcional). El centrador inoxidable con buje (accesorio opcional) evitará que el buje se desgaste.

MONTAJE Y DESMONTAJE DEL PORTATORNILLOS HEXAGONAL O DE LA BROCA

⚠ PRECAUCIÓN

Cerciórese de desconectar la alimentación y de desenchufar el cable del tomacorriente para evitar problemas serios.

1. Desmontaje del portatornillo hexagonal (Fig.7)

- (1) Girando el retén secundario, extrágalo del centrador.
- (2) Retire el portatornillo hexagonal manteniéndolo por el lado opuesto de la broca con la mano o con un tornillo y extraiga la broca con unos alicates.

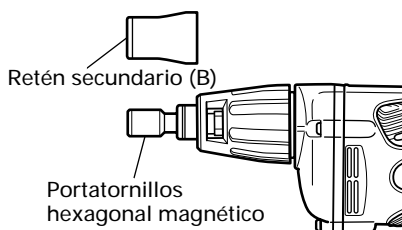


Fig. 7

2. Desmontaje de la broca (Fig.8)

Retire el retén secundario (G) del mismo modo que en el caso del portatornillo y quite el portaboca. Luego, extraiga la broca con unos alicates.

3. Desmontaje de la broca (Fig.9)

Retire el retén secundario (F) del mismo modo que en el caso del portatornillo y quite el portaboca. Luego, extraiga la broca con unos alicates.

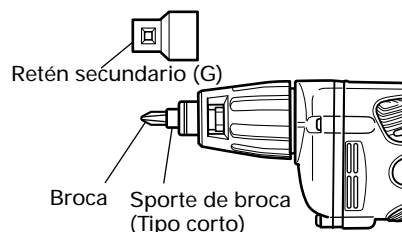


Fig. 8

4. Cuando monte el portatornillo hexagonal o la broca

Coloque la broca siguiendo el orden inverso al del desmontaje.

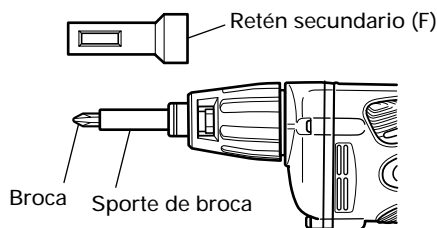


Fig. 9

MANTENIMIENTO E INSPECCIÓN

⚠ ADVERTENCIA: Antes de realizar el mantenimiento o la inspección de la amoladora, cerciőrese de desconectar la alimentaci3n y de desenchufar el cable de alimentaci3n del tomacorriente.

1. Inspecci3n del portatornillos hexagonal (o broca)
Ya que el uso continuado del portatornillos hexagonal (broca) desgastado daña las cabezas de los tornillos, cambie el portatornillos hexagonal (broca) por uno nuevo en cuanto aprecie el desgaste.
2. Inspecci3n de los tornillos
Inspeccione regularmente todos los tornillos y asegőrese de que est3n apretados adecuadamente. Si hay algőn tornillo flojo, apri3telo inmediatamente.

⚠ ADVERTENCIA: La utilizaci3n de esta atornillador con tornillos flojos es extremadamente peligroso.

3. Mantenimiento de motor
La unidad de bobinado del motor es el verdadero "coraz3n" de las herramientas el3ctricas. Prestar el mayor cuidado y asegurarse de que el bobinado no se dañe y/o se humedezca con aceite o agua.
4. Limpieza del exterior de la unidad
Limpie el aceite y las manchas del exterior de la unidad con un paño seco o ligeramente humedecido en agua jabonosa.
5. Inspecci3n de las escobillas
Por motivos de seguridad, como protecci3n contra descargas el3ctricas, la inspecci3n y el reemplazo de las escobillas de esta herramienta deber3n realizarse SOLAMENTE en un Centro de Servicio Autorizado de Hitachi.
6. Mantenimiento y reparaci3n
Todas las herramientas el3ctricas de calidad requieren de vez en cuando el servicio de mantenimiento o el reemplazo de piezas debido al desgaste producido durante la utilizaci3n normal. Para asegurarse de que solamente se utilicen piezas de reemplazo autorizadas, todos los servicios de mantenimiento y reparaci3n deber3n realizarse SOLAMENTE en un Centro de Servicio Autorizado de Hitachi.
7. Lista de repuestos
 - A: N.º. ítem
 - B: N.º. código
 - C: N.º. usado
 - D: Observaciones

⚠ PRECAUTION: La reparación, modificación e inspección de las herramientas eléctricas Hitachi deben ser realizadas por un Centro de Servicio Autorizado de Hitachi.

Esta lista de repuestos será de utilidad si es presentada junto con la herramienta al Centro de Servicio Autorizado de Hitachi para solicitar la reparación o cualquier otro tipo de mantenimiento.

En el manejo y el mantenimiento de las herramientas eléctricas, se deberán observar las normas y reglamentos vigentes en cada país.

MODIFICACIONES:

Hitachi Power Tools introduce constantemente mejoras y modificaciones para incorporar los últimos avances tecnológicos.

Por consiguiente, algunas partes (por ejemplo, números de códigos y/o diseño) pueden ser modificadas sin previo aviso.

ACCESORIOS

⚠ ADVERTENCIA: UTILICE únicamente repuestos y accesorios autorizados por HITACHI. No utilice nunca repuestos o accesorios no previstos para usar con esta herramienta. Si tiene dudas en cuanto a la seguridad de usar determinado repuesto o accesorio junto con su herramienta, póngase en contacto con HITACHI.

La utilización de otros accesorios puede resultar peligrosa y causar lesiones o daños mecánicos.

NOTA:

Los accesorios están sujetos a cambio sin ninguna obligación por parte de HITACHI.

ACCESORIOS ESTÁNDAR

<W6VM • W6V4 • W6VA4>

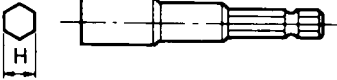
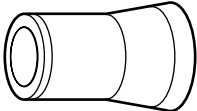
- | | |
|---|---|
| (1) Broca para tornillos Phillips (Num. de código 971511Z) | 1 |
| (2) Sujetado magnético de la broca (Num. de código 982554Z) | 1 |
| (3) Retén secundario (F) (Num. de código 323351) | 1 |

<W6VB3 • W8VB2>


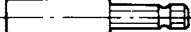
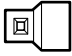

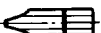
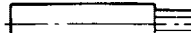
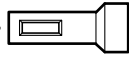

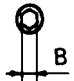

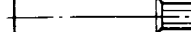
- | | |
|--|---|
| (1) Portatornillos hexagonal magnético (H=5/16" (7,94 mm)) (Num. de código 985322) | 1 |
| (2) Retén secundario (B) (H=5/16" (7,94 mm)) (Num. de código 317671) | 1 |

ACCESORIOS OPCIONALES De venta por separado

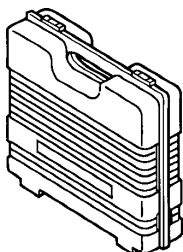
1. Para tornillos cabeza hexagonal

Portatornillos hexagonal				Retén secundario (B)	
					
Tipo magnético		Tipo no magnético		Tamaño	Num. de código
Tamaño	Num. de código	Tamaño	Num. de código		
H 1/4	985332	H 1/4	985328	H 1/4	317827
H 5/16	985322	H 5/16	985327	H 5/16	317671
H 3/8	985330	H 3/8	985326	H 3/8	317670

2. Para otros tornillos

Cabeza de tornillos	Broca			Tipo de broca	Retén secundario
	Sujetador	Tamaño	Num. de código		
⊕		No.1 No.2 No.3	985333 971511Z 971512Z	 Sujetador magnético de la broca (Tipo corto)	 Retén secundario (G) (Num. de código 323352)
		No.1 No.2	985334 985335		
⊖		No.1 No.2 No.3	985336 985337 985338	 Sujetador magnético de la broca (Num. de código 982554Z)	 Retén secundario (F) (Num. de código 323351)
		No.1 No.2	985340 985341		
		Tamaño B 5/32" (4 mm) 13/64" (5 mm)	985342 985343	 Sujetador no der magnético de la broca (Num. de código 982563Z)	

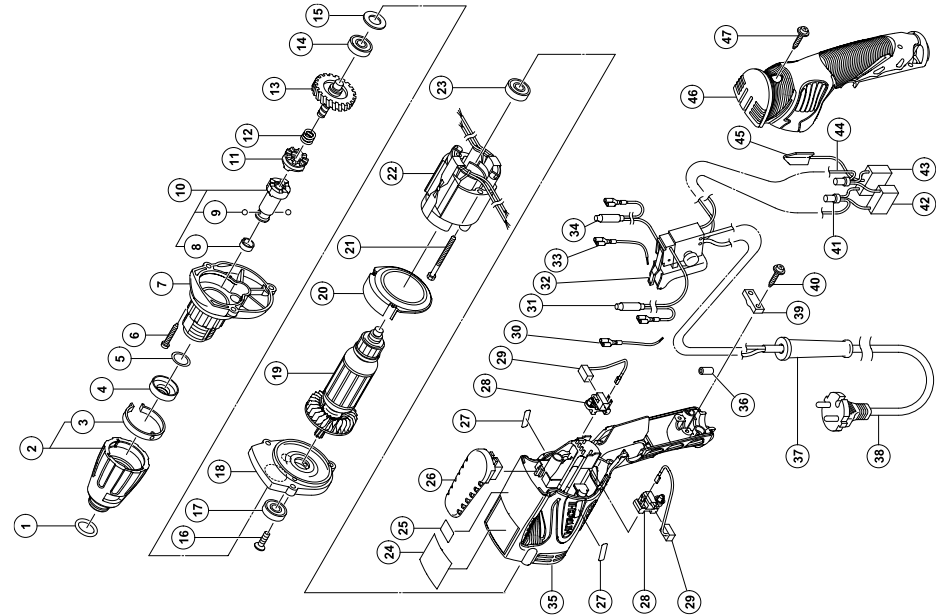
3. Caja de plástico (Num. de código 310504)



NOTA:

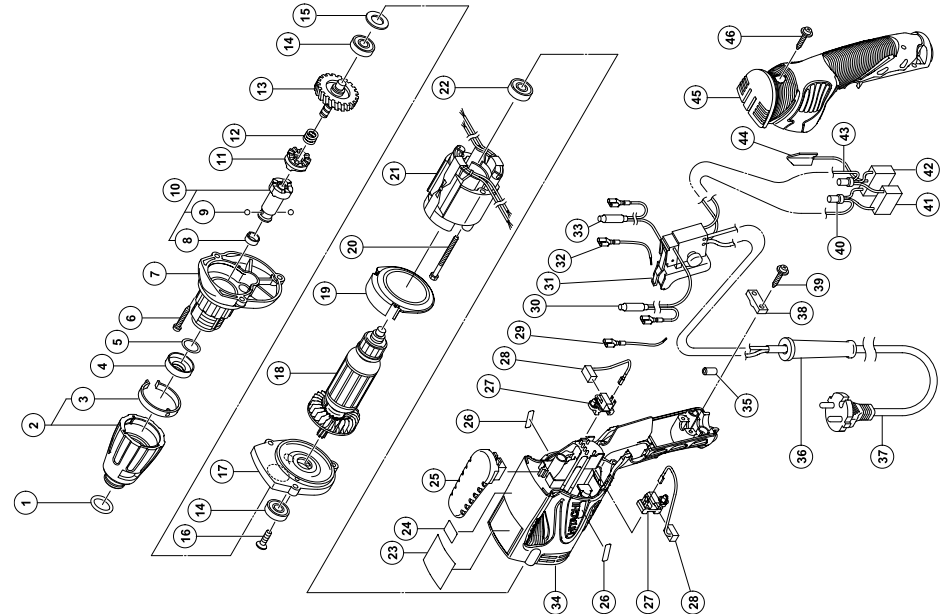
Las especificaciones están sujetas a cambio sin ninguna obligación por parte de HITACHI.

W6VM



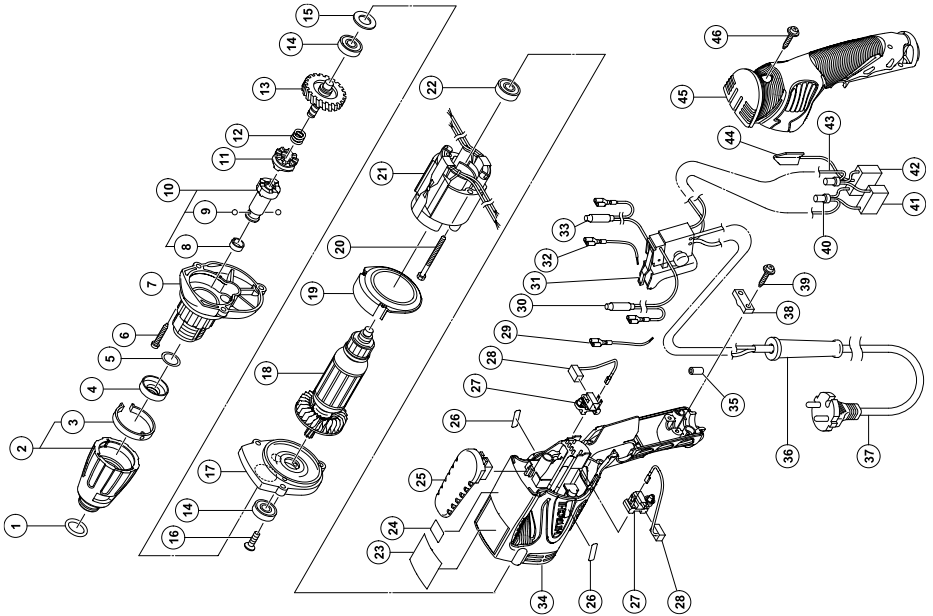
A	B	C	D	A	B	C	D
1	876-031	1	S-16	36	981-373	2	
2	323-487	1	"3"	37	953-327	1	D8.8
3	323-488	1		38			
4	971-468	1		39	937-631	1	
5	317-662	1		40	984-750	2	D4x16
6	321-057	3	D4x25	41	959-140	2	
7	323-486	1	"5"	42	930-039	1	
8	872-573	1		43	994-273	1	
9	959-148	2	D3,175	44	343-478	2	
10	323-491	1	"8, 9"	45	992-635	1	
10.2	323-492	1	"8, 9" "HKG, THA, TPE, KOR"	46	323-484	1	
11	323-476	1		47	301-653	3	D4x20
12	306-024	1					
13	323-504	1					
14	608-VVM	1	608VVMC2PS2L				
15	933-545	2					
16	301-936	2	M4x10				
17	690-0VV	1	6900VVMCPS2L				
18	323-503	1	"14-17"				
19.1	360-676	1	110V-120V				
19.2	360-677U	1	120V "14, 23"				
19.3	360-677E	1	220V-230V				
19.4	360-677F	1	240V				
20	323-472	1					
21	961-672	2	D4x50				
22.1	340-599C	1	110V-120V				
22.2	340-599E	1	220V-230V				
22.3	340-599F	1	240V				
23	608-VVM	1	608VVMC2PS2L				
24		1					
25		1					
26	323-471	1					
27		1					
28	323-512	2					
29	999-091	2					
30	323-489	1					
31	323-480	1					
32	323-479	1					
33	323-490	1					
34	323-481	1					
35	323-483	1					

W6V4



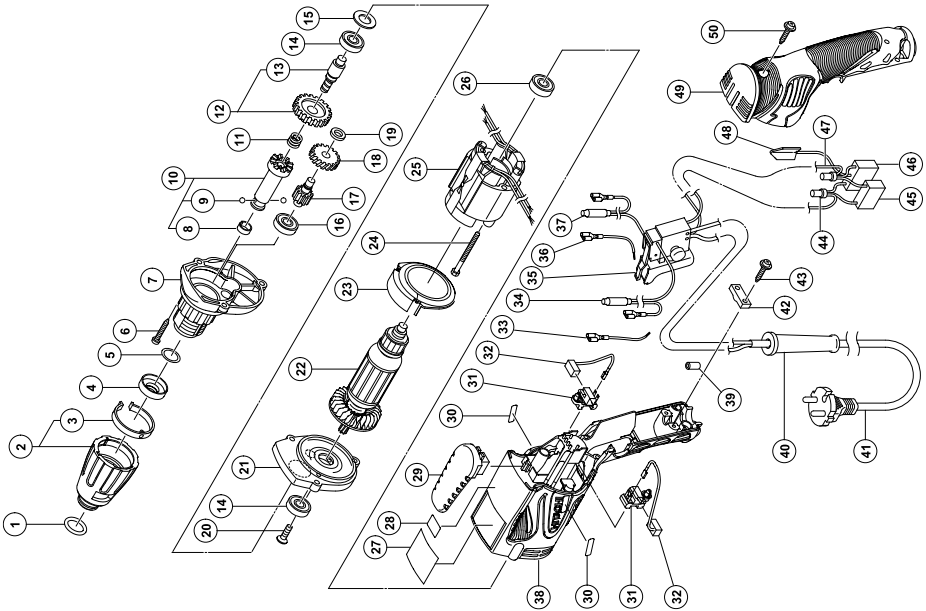
A	B	C	D	A	B	C	D
1	876-031	1	S-16	36	953-327	1	D8.8
2	323-487	1	"3"	37			
3	323-488	1		38	937-631	1	
4	971-468	1		39	984-750	2	D4x16
5	317-662	1		40	959-140	2	
6	321-057	3	D4x25	41	930-039	1	
7	323-486	1	"5"	42	994-273	1	
8	872-573	1		43	323-478	2	
9	959-148	2		44	992-635	1	
10.1	323-491	1	"8, 9"	45	323-484	1	
10.2	323-482	1	"8, 9", "TPE", THA, HKG, KOR"	46	301-653	3	D4x20
11	323-476	1					
12	306-024	1					
13	323-485	1					
14	608-VVM	2	608VVC2PS2L				
15	933-545	1					
16	301-936	2	M4x10				
17	323-473	1					
18.1	360-672	1	110V				
18.2	360-673U	1	120V				
18.3	360-673E	1	220V-230V				
18.4	360-673F	1	240V				
19	323-472	1					
20	961-672	2	D4x50				
21.1	340-599C	1	110V-120V				
21.2	340-599E	1	220V-230V				
21.3	340-599F	1	240V				
22	608-VVM	1	608VVC2P2L				
23		1					
24		1					
25		1					
26		1					
27	323-512	2					
28	999-091	2					
29	323-489	1					
30	323-480	1					
31	323-479	1					
32	323-490	1					
33	323-481	1					
34	323-483	1					
35	981-373	2					

W6VA4



A	B	C	D
1	876-031	1	S-16
2	323-487	1	"3"
3	323-488	1	
4	971-468	1	
5	317-662	1	
6	321-057	3	D4x25
7	323-486	1	"5"
8	872-573	1	
9	959-148	2	D3,175
10,1	323-491	1	"8, 9"
10,2	323-482	1	"8, 9" "TPE, SIN, HKG"
11	323-476	1	
12	306-024	1	
13	323-474	1	
14	608-VVM	2	608VVC2PS2L
15	933-545	1	
16	301-936	2	M4x10
17	323-473	1	
18,1	360-670	1	100V-110V
18,2	360-671U	1	120V "14, 22"
18,3	360-671	1	220V-230V
18,4	360-671F	1	240V
19	323-472	1	
20	961-672	2	D4x50
21,1	340-599C	1	110V-120V
21,2	340-599E	1	220V-230V
21,3	340-599F	1	240V
22	608-VVM	1	608VVC2PS2L
23		1	
24		1	
25	323-471	1	
26		1	
27	323-512	2	
28	999-091	2	
29	323-489	1	
30	323-480	1	
31	323-479	1	
32	323-490	1	
33	323-481	1	
34	323-483	1	
35	981-373	2	
36	953-327	1	D8,8
A	B	C	D
37		1	
38	937-631	1	
39	984-750	2	D4x16
40	959-140	2	
41	930-039	1	
42	994-273	1	
43	323-478	2	
44	992-635	1	
45	323-484	1	
46	301-653	3	D4x20

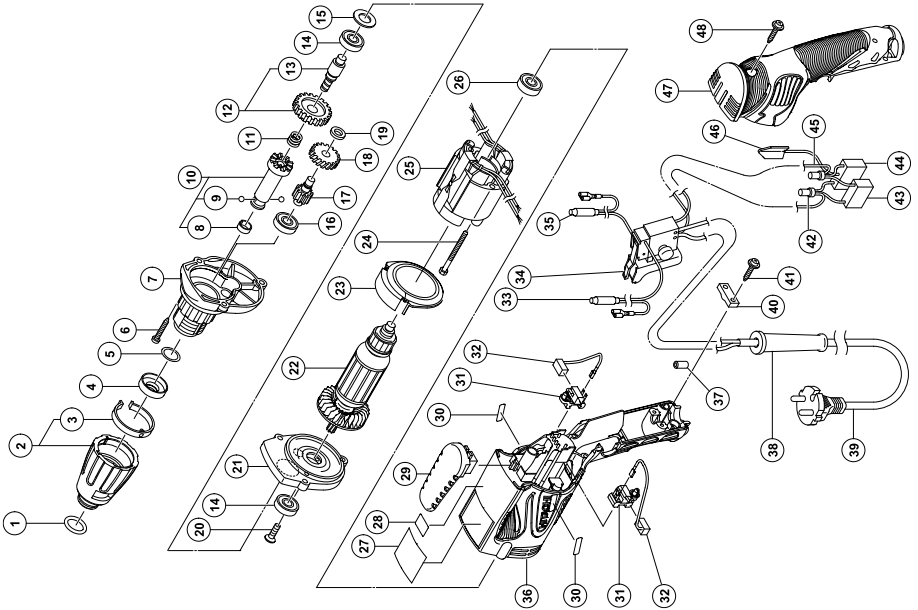
W6VB3

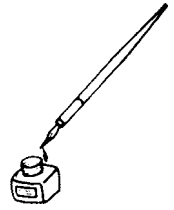


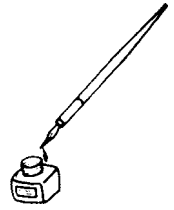
A	B	C	D
1	876-031	1	S-16
2	323-487	1	"3"
3	323-488	1	
4	971-468	1	
5	317-662	1	
6	321-057	3	D4x25
7	323-498	1	"5, 16"
8	872-573	1	
9	959-148	2	D3.175
10	317-664	1	
10.2	323-507	1	"USA, CAN"
11	306-024	1	
12	323-494	1	"13"
13	323-495	1	
14	608-VVM	2	608VVMC2PS2L
15	933-545	1	
16	608-VVM	1	608VVC2PS2L
17	323-496	1	"18"
18	307-337	1	
19	323-497	1	
20	301-936	2	M4x10
21	323-493	1	"14, 15, 20"
22.1	360-674	1	110V
22.2	360-675U	1	120V "14, 26"
22.3	360-675E	1	220V-230V
22.4	360-675F	1	240V
23	323-472	1	
24	961-672	2	D4x50
25.1	340-599C	1	110V-120V
25.2	340-599U	1	220V-230V
25.3	340-599F	1	240V
26	608-VVM	1	608VVMC2PS2L
27		1	
28		1	
29	323-471	1	
30		1	
31	323-512	2	
32	999-091	2	
33	323-489	1	
34	323-480	1	
35	323-479	1	
36	323-490	1	
37	323-481	1	
38	323-483	1	
39	981-373	2	
40	953-327	1	D8.8
41		1	
42	937-631	1	
43	984-750	2	D4x16
44	959-140	2	
45	930-039	1	
46	994-273	1	
47	323-478	2	
48	992-635	1	
49	323-484	1	
50	301-653	3	D4x20

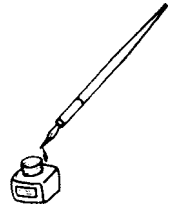
W8VB2

A	B	C	D
39	876-031	1	
40	323-487	1	"3"
41	323-488	1	
42	971-468	1	
43	317-662	1	
44	321-057	3	D4×25
45	323-498	1	"5, 16"
46	872-573	1	
47	959-148	2	"8, 9"
48	317-664	1	
	306-024	1	"13"
	323-505	1	
	323-495	1	
	608-VVM	2	608VVC2PS2L
	933-545	1	
	608-VVM	1	608VVC2PS2L
	307-338	1	"18"
	307-337	1	
	323-497	1	
	301-936	2	M4×10
	323-473	1	"14, 15, 20"
	360-674	1	110V
	360-675E	1	220V-230V
	360-675F	1	240V
	323-472	1	
	961-672	2	D4×50
	340-599C	1	110V-120V
	340-599E	1	220V-230V
	340-599F	1	240V
	608-VVM	1	608VVC2PS2L
		1	
		1	
	323-471	1	
	323-512	2	
	999-091	2	
	323-480	1	
	323-479	1	
	323-481	1	
	323-483	1	
	981-373	2	
	953-327	1	D8.8









WARNING:

Some dust created by power sanding, sawing, grinding, drilling, and other construction activities contains chemicals known to the State of California to cause cancer, birth defects or other reproductive harm. Some examples of these chemicals are:

- Lead from lead-based paints,
- Crystalline silica from bricks and cement and other masonry products, and
- Arsenic and chromium from chemically-treated lumber.

Your risk from these exposures varies, depending on how often you do this type of work. To reduce your exposure to these chemicals: work in a well ventilated area, and work with approved safety equipment, such as those dust masks that are specially designed to filter out microscopic particles.

AVERTISSEMENT:

La poussière résultant d'un ponçage, d'un sciage, d'un meulage, d'un perçage ou de toute autre activité de construction renferme des produits chimiques qui sont connus par l'Etat de Californie pour causer des cancers, des défauts de naissance et autres anomalies de reproduction. Nous énumérons ci-dessus certains de ces produits chimiques:

- Plomb des peintres à base de plomb,
- Silice cristalline des briques et du ciment et autres matériaux de maçonnerie, et
- Arsenic et chrome du bois d'oeuvre traité chimiquement.

Le risque d'exposition à ces substances varie en fonction de la fréquence d'exécution de ce genre de travail. Pour réduire l'exposition à ces produits chimiques, travailler dans un lieu bien ventilé, et porter un équipement de protection agréé, par exemple un masque anti-poussière spécialement conçu pour filter les particules microscopiques.

ADVERTENCIA:

Algunos polvos creados por el lijado mecánico, el aserrado, el esmerilado, el taladrado y otras actividades de construcción contienen sustancias químicas conocidas por le Estado de California como agentes cancerígenos, defectos congénitos y otros daños reproductores. Algunos ejemplos de estas sustancias químicas son:

- El plomo de las pinturas a base de plomo,
- El sílice cristalino de los ladrillos y cemento y otros productos de mampostería, y
- El arsénico y el cromo de la madera tratada químicamente.

El riesgo resultante de la exposición varía según la frecuencia con que se realiza este tipo de trabajo. Para reducir la exposición a esta sustancias químicas: trabaje en un lugar bien ventilado y realice el trabajo utilizando el equipamiento apropiado, tal como las máscaras para el polvo especialmente diseñados para eliminar las partículas minúsculas.

Issued by



Hitachi Koki Co., Ltd.

Shinagawa Intercity Tower A, 15-1, Konan 2-chome,
Minato-ku, Tokyo 108-6020, Japan

Distributed by



Hitachi Koki U.S.A., Ltd.

3950 Steve Reynolds Blvd.
Norcross, GA 30093



Hitachi Koki Canada Co.

6395 Kestrel Road
Mississauga ON L5T 1Z5

407

Code No. C99129961
Printed in Malaysia