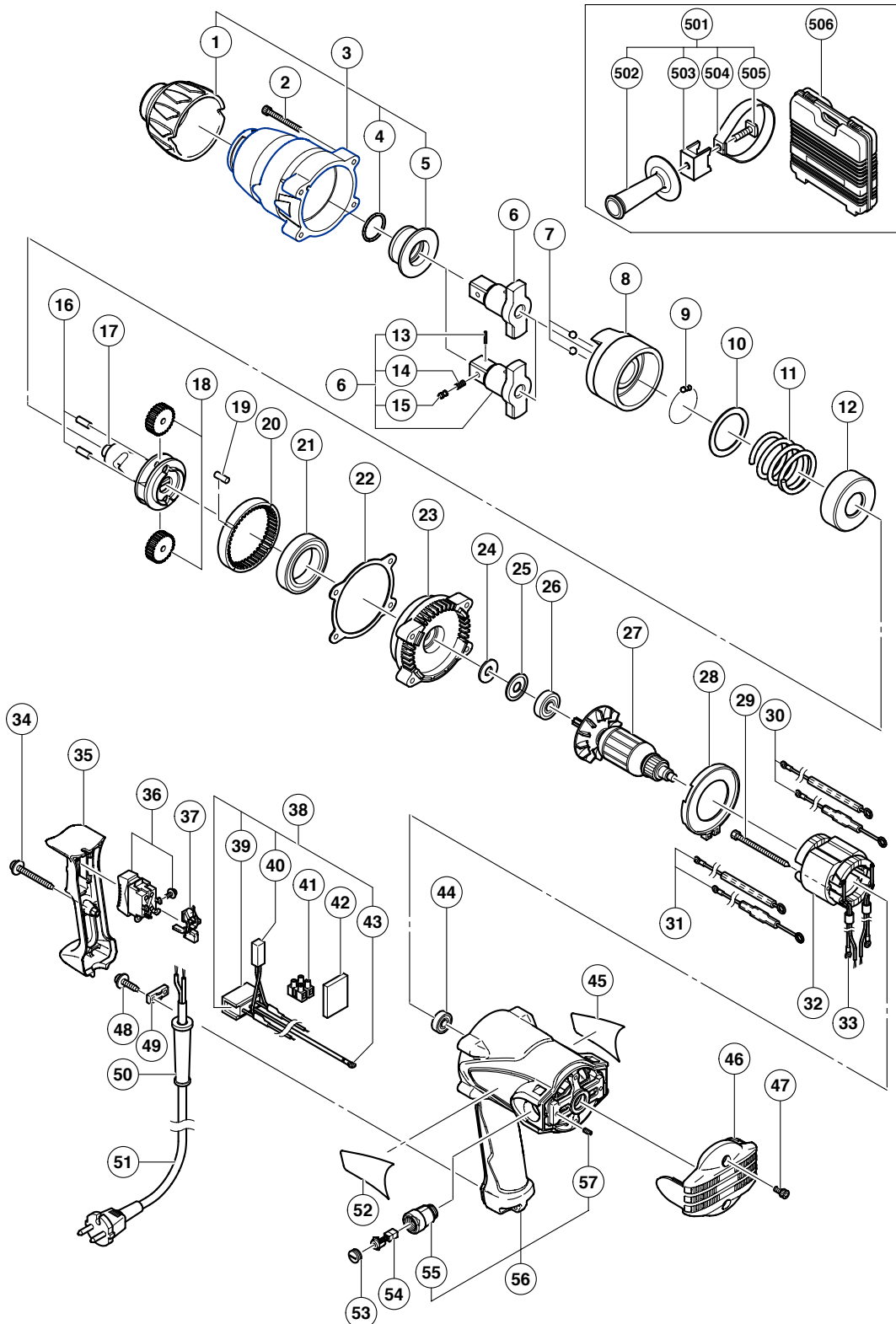


## ELECTRIC TOOL PARTS LIST

### ■ IMPACT WRENCH Model WR 22SA

2005 · 3 · 30

(E1)



**PARTS**

WR 22SA

ITEM NO.	CODE NO.	DESCRIPTION	NO. USED	REMARKS
1	324-008	BUMPER	1	
2	323-994	SEAL LOCK HEX. SOCKET HD. BOLT M5X45	4	
3	324-006	HAMMER CASE ASS'Y	1	INCLUD. 1, 4, 5
4	971-028	O-RING (P-28)	1	
5	324-007	METAL	1	
* 6	324-013	ANVIL (A)	1	
* 6	324-021	ANVIL (B) ASS'Y	1	INCLUD. 13-15 FOR USA, CAN, AUS
7	959-151	STEEL BALL D7.14 (10 PCS.)	2	
8	324-005	HAMMER	1	
9	959-155	STEEL BALL D3.97 (10 PCS.)	38	
10	324-004	HAMMER WASHER	1	
11	324-002	SPRING	1	
12	324-001	SPRING SEAT	1	
* 13	949-507	ROLL PIN D2X14 (10 PCS.)	1	FOR USA, CAN, AUS
* 14	992-571	SPRING	1	FOR USA, CAN, AUS
* 15	992-572	PLUNGER	1	FOR USA, CAN, AUS
16	971-016	GEAR SHAFT	2	
17	324-003	SPINDLE	1	
18	318-448	IDLE GEAR SET (2 PCS.)	2	
19	991-449	NEEDLE ROLLER	1	
20	985-303	RING GEAR	1	
21	690-8ZN	BALL BEARING 6908ZZ-N	1	
22	323-995	PACKING (B)	1	
23	323-999	INNER COVER	1	
24	323-996	FELT PACKING	1	
25	971-012	PACKING WASHER	1	
26	620-0DD	BALL BEARING 6200DDCMPS2L	1	
* 27	360-700U	ARMATURE ASS'Y 110V-120V	1	INCLUD. 26, 44
* 27	360-700E	ARMATURE 220V-230V	1	
* 27	360-700F	ARMATURE 240V	1	
28	323-998	FAN GUIDE	1	
29	961-400	HEX. HD. TAPPING SCREW D5X70	2	
* 30	324-017	INTERNAL WIRE (WHITE)	1	
* 30	324-009	INTERNAL WIRE (WHITE)	1	FOR USA, CAN, VEN, INA, SYR, KUW, HKG, SIN
* 31	324-018	INTERNAL WIRE (BLACK)	1	
* 31	324-010	INTERNAL WIRE (BLACK)	1	FOR USA, CAN, VEN, INA, SYR, KUW, HKG, SIN
* 32	340-620C	STATOR 110V-120V	1	
* 32	340-620E	STATOR 220V-230V	1	
* 32	340-620F	STATOR 240V	1	
33	960-356	TERMINAL (A) M3.5 (10 PCS.)	2	
34	303-694	TAPPING SCREW (W/FLANGE) D4X35 (BLACK)	1	
35	324-020	HANDLE COVER	1	
* 36	985-103	SWITCH (2P SCREW TYPE)	1	
* 36	320-528	SWITCH (2P SCREW TYPE)	1	FOR AUT ,GBR, FRA, FRG, ITA, HOL, BEL, ESP, FIN
37	323-768	SWITCH ADAPTER	1	
* 38	324-319	NOISE SUPPRESSOR ASS'Y (W/RESISTOR)	1	INCLUD. 39, 40, 43 EXCEPT FOR USA, CAN, VEN, INA, SYR, KUW, HKG, SIN
* 39	930-153	SUPPORT (B)	1	EXCEPT FOR USA, CAN, VEN, INA, SYR, KUW, HKG, SIN
* 40	316-186	SUPPORT (B)	1	EXCEPT FOR USA, CAN, VEN, INA, SYR, KUW, HKG, SIN

**PARTS**

WR 22SA

ITEM NO.	CODE NO.	DESCRIPTION	NO. USED	REMARKS		
41	958-308Z	PILLAR TERMINAL (A)	1			
42	324-023	SUPPORT (B)	1			
*	43	961-419Z	TERMINAL	1	EXCEPT FOR USA, CAN, VEN, INA, SYR, KUW, HKG, SIN	
	44	608-VVM	BALL BEARING 608VVC2PS2L	1		
	45		NAME PLATE	1		
	46	323-997	TAIL COVER	1		
	47	877-839	SEAL LOCK HEX. SOCKET HD. BOLT M5X10	2		
	48	984-750	TAPPING SCREW (W/FLANGE) D4X16	2		
	49	937-631	CORD CLIP	1		
*	50	953-327	CORD ARMOR D8.8	1		
*	50	938-051	CORD ARMOR D10.1	1		
*	51	500-247Z	CORD	1	(CORD ARMOR D8.8)	
*	51	500-234Z	CORD	1	(CORD ARMOR D8.8) FOR INA, KOR	
*	51	500-450Z	CORD	1	(CORD ARMOR D8.8) FOR GBR (230V)	
*	51	500-461Z	CORD	1	(CORD ARMOR D8.8) FOR GBR (110V)	
*	51	500-245Z	CORD	1	(CORD ARMOR D10.1) FOR SYR	
*	51	323-974	CORD	1	(CORD ARMOR D10.1) FOR VEN, TPE	
*	51	500-240Z	CORD	1	(CORD ARMOR D8.8) FOR USA, CAN	
*	51	500-439Z	CORD	1	(CORD ARMOR D8.8) FOR AUS, NZL	
*	51	500-423Z	CORD	1	(CORD ARMOR D8.8) FOR KUW, SIN	
*	51	500-435Z	CORD	1	(CORD ARMOR D8.8) FOR HKG	
*	51	500-456Z	CORD	1	(CORD ARMOR D8.8) FOR CHN	
	52		HITACHI LABEL	1		
	53	935-829	BRUSH CAP	2		
	54	999-043	CARBON BRUSH (1 PAIR)	2		
	55	957-774	BRUSH HOLDER	2		
	56	324-019	HOUSING ASS'Y	1	INCLUD. 55, 57	
	57	938-477	HEX. SOCKET SET SCREW M5X8	2		

## STANDARD ACCESSORIES

WR 22SA

ITEM NO.	CODE NO.	DESCRIPTION	NO. USED	REMARKS
501	324-015	SIDE HANDLE ASS'Y	1	INCLUD. 502-505
502	980-901	SIDE HANDLE	1	
503	323-775	HANDLE HOLDER	1	
504	324-016	HANDLE RING	1	
505	980-903	SQUARE BOLT M8	1	
506	324-014	CASE (B)	1	

## OPTIONAL ACCESSORIES

ITEM NO.	CODE NO.	DESCRIPTION	NO. USED	REMARKS
601	874-535	EXTENSION BAR ASS'Y (SQUARE) 19.0MMX150L	1	INCLUD. 602, 603
602	874-524	SOCKET RING	1	
603	874-525	SOCKET PIN	1	
604	955-088	UNIVERSAL JOINT ASS'Y	1	INCLUD. 602, 603
605	955-091	UNIVERSAL JOINT PIN	1	
606	986-004	ADAPTER ASS'Y 12.7MM	1	INCLUD. 602, 603
607	874-527	HEX. SOCKET ASS'Y 23MMX55L	1	INCLUD. 602, 603
608	874-528	HEX. SOCKET ASS'Y 24MMX55L	1	INCLUD. 602, 603
609	874-529	HEX. SOCKET ASS'Y 26MMX55L	1	INCLUD. 602, 603
610	874-530	HEX. SOCKET ASS'Y 27MMX55L	1	INCLUD. 602, 603
611	874-532	HEX. SOCKET ASS'Y 30MMX55L	1	INCLUD. 602, 603
612	874-523	HEX. SOCKET ASS'Y 32MMX55L	1	INCLUD. 602, 603
613	874-533	HEX. SOCKET ASS'Y 35MMX55L	1	INCLUD. 602, 603
614	874-534	HEX. SOCKET ASS'Y 36MMX55L	1	INCLUD. 602, 603
615	955-028	HEX. SOCKET ASS'Y (LONG) 17MMX60L	1	INCLUD. 602, 603
616	955-029	HEX. SOCKET ASS'Y (LONG) 19MMX60L	1	INCLUD. 602, 603
617	955-030	HEX. SOCKET ASS'Y (LONG) 21MMX60L	1	INCLUD. 602, 603
618	955-031	HEX. SOCKET ASS'Y (LONG) 22MMX60L	1	INCLUD. 602, 603
619	955-033	HEX. SOCKET ASS'Y (LONG) 24MMX60L	1	INCLUD. 602, 603
620	955-034	HEX. SOCKET ASS'Y (LONG) 26MMX85L	1	INCLUD. 602, 603
621	955-035	HEX. SOCKET ASS'Y (LONG) 27MMX85L	1	INCLUD. 602, 603
622	955-037	HEX. SOCKET ASS'Y (LONG) 30MMX85L	1	INCLUD. 602, 603
623	955-038	HEX. SOCKET ASS'Y (LONG) 32MMX100L	1	INCLUD. 602, 603
624	955-092	HEX. SOCKET ASS'Y (LONG) 36MMX100L	1	INCLUD. 602, 603