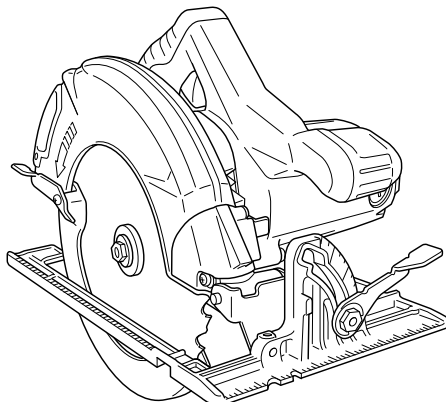


HITACHI

Model
Modèle
Modelo

C 7SB3

Circular saw
Scie circulaire
Sierra circular



SAFETY INSTRUCTIONS AND INSTRUCTION MANUAL

⚠ WARNING

IMPROPER OR UNSAFE use of this power tool can result in death or serious bodily injury! This manual contains important information about product safety. Please read and understand this manual **BEFORE** operating the power tool. Please keep this manual available for other users and owners before they use the power tool. This manual should be stored in safe place.

INSTRUCTIONS DE SECURITE ET MODE D'EMPLOI

⚠ AVERTISSEMENT

Une utilisation **INCORRECTE OU DANGEREUSE** de cet outil motorisé peut entraîner la mort ou de sérieuses blessures corporelles!
Ce mode d'emploi contient d'importantes informations à propos de la sécurité de ce produit. Prière de lire et de comprendre ce mode d'emploi **AVANT** d'utiliser l'outil motorisé. Garder ce mode d'emploi à la disponibilité des autres utilisateurs et propriétaires avant qu'ils utilisent l'outil motorisé. Ce mode d'emploi doit être conservé dans un endroit sûr.

INSTRUCCIONES DE SEGURIDAD Y MANUAL DE INSTRUCCIONES

⚠ ADVERTENCIA

¡La utilización **INAPROPIADA O PELIGROSA** de esta herramienta eléctrica puede resultar en lesiones de gravedad o la muerte!
Este manual contiene información importante sobre la seguridad del producto. Lea y comprenda este manual **ANTES** de utilizar la herramienta eléctrica. Guarde este manual para que puedan leerlo otras personas antes de utilizar la herramienta eléctrica. Este manual debe ser guardado en un lugar seguro.



DOUBLE INSULATION
DOUBLE ISOLATION
AISLAMIENTO DOBLE

Hitachi Koki

CONTENTS

English	Page		Page
IMPORTANT SAFETY INFORMATION	3	ASSEMBLY AND OPERATION	10
MEANINGS OF SIGNAL WORDS	3	APPLICATIONS	10
MEANINGS OF SYMBOLS	3	PRIOR TO OPERATION	10
SAFETY	3	ADJUSTING THE SAW PRIOR TO USE	11
GENERAL POWER TOOL SAFETY		CUTTING PROCEDURES	13
WARNINGS	3	USING THE CORD HOLDER	14
CIRCULAR SAW SAFETY WARNINGS	5	MOUNTING AND DISMOUNTING THE	
SPECIFIC SAFETY RULES AND SYMBOLS	6	SAW BLADE	14
DOUBLE INSULATION FOR SAFER		MAINTENANCE AND INSPECTION	15
OPERATION	7	ACCESSORIES	18
FUNCTIONAL DESCRIPTION	9	STANDARD ACCESSORIES	18
NAME OF PARTS	9	OPTIONAL ACCESSORIES	18
SPECIFICATIONS	9	PARTS LIST	53

TABLE DES MATIERES

Français	Page		Page
INFORMATIONS IMPORTANTES		ASSEMBLAGE ET FONCTIONNEMENT	27
DE SÉCURITÉ	19	APPLICATIONS	27
SIGNIFICATION DES MOTS		AVANT L'UTILISATION	27
D'AVERTISSEMENT	19	RÉGLAGE DE LA SCIE AVANT	
SIGNIFICATION DES SYMBOLES	19	L'UTILISATION	28
SECURITE	19	PROCEDURES DE COUPE	30
AVERTISSEMENTS DE SÉCURITÉ GÉNÉRAUX		UTILISATION DU PORTE-CORDON	31
CONCERNANT LES OUTILS ÉLECTRIQUES ...	19	MONTAGE ET DÉMONTAGE DE LA LAME	
AVERTISSEMENTS DE SÉCURITÉ RELATIFS		DE SCIE	31
À LA SCIE CIRCULAIRE	21	ENTRETIEN ET INSPECTION	32
RÈGLES DE SÉCURITÉ SPÉCIFIQUES ET		ACCESOIRES	35
SYMBOLES	22	ACCESSOIRES STANDARD	35
DOUBLE ISOLATION POUR UN		ACCESSOIRES EN OPTION	35
FONCTIONNEMENT PLUS SUR	24	LISTE DES PIÈCES	53
DESCRIPTION FONCTIONNELLE	26		
NOM DES PARTIES	26		
SPECIFICATIONS	26		

ÍNDICE

Español	Página		Página
INFORMACIÓN IMPORTANTE SOBRE		MONTAJE Y OPERACIÓN	44
SEGURIDAD	36	APLICACIONES	44
SIGNIFICADO DE LAS PALABRAS DE		ANTES DE LA OPERACIÓN	44
SEÑALIZACIÓN	36	AJUSTE DE LA SIERRA ANTES DE	
SIGNIFICADO DE SÍMBOLOS	36	UTILIZARLA	45
SEGURIDAD	36	PROCEDIMIENTOS DE CORTE	47
ADVERTENCIAS DE SEGURIDAD GENERAL		UTILIZACIÓN DEL SOPORTE DE CABLE	48
DE LA HERRAMIENTA ELÉCTRICA	36	MONTAJE Y DESMONTAJE DE LA	
ADVERTENCIAS DE SEGURIDAD DE LA		CUCHILLA DE LA SIERRA	48
SIERRA CIRCULAR	38	MANTENIMIENTO E INSPECCIÓN	49
NORMAS Y SÍMBOLOS ESPECÍFICOS DE		ACCESORIOS	52
SEGURIDAD	39	ACCESORIOS ESTÁNDAR	52
AISLAMIENTO DOBLE PARA OFRECER UNA		ACCESORIOS OPCIONALES	52
OPERACIÓN MÁS SEGURA	41	LISTA DE PIEZAS	53
DESCRIPCIÓN FUNCIONAL	43		
NOMENCLATURA	43		
ESPECIFICACIONES	43		

IMPORTANT SAFETY INFORMATION

Read and understand all of the safety precautions, warnings and operating instructions in the Instruction Manual before operating or maintaining this power tool.

Most accidents that result from power tool operation and maintenance are caused by the failure to observe basic safety rules or precautions. An accident can often be avoided by recognizing a potentially hazardous situation before it occurs, and by observing appropriate safety procedures.

Basic safety precautions are outlined in the "SAFETY" section of this Instruction Manual and in the sections which contain the operation and maintenance instructions.

Hazards that must be avoided to prevent bodily injury or machine damage are identified by WARNINGS on the power tool and in this Instruction Manual.

NEVER use this power tool in a manner that has not been specifically recommended by HITACHI.





MEANINGS OF SIGNAL WORDS

WARNING indicates a potentially hazardous situations which, if ignored, could result in death or serious injury.

CAUTION indicates a potentially hazardous situations which, if not avoided, may result in minor or moderate injury, or may cause machine damage.

NOTE emphasizes essential information.

MEANINGS OF SYMBOLS

Symbols	
 WARNING The following show symbols used for the machine. Be sure that you understand their meaning before use.	
	Read all safety warnings and all instructions. Failure to follow the warnings and instructions may result in electric shock, fire and/or serious injury.
	Always wear eye protection.
	Always wear hearing protection.

SAFETY

GENERAL POWER TOOL SAFETY WARNINGS

WARNING:

Read all safety warnings and all instructions.

Failure to follow the warnings and instructions may result in electric shock, fire and/or serious injury.

Save all warnings and instructions for future reference.

The term "power tool" in the warnings refers to your mains-operated (corded) power tool or battery-operated (cordless) power tool.

1) Work area safety

a) **Keep work area clean and well lit.**

Cluttered or dark areas invite accidents.

b) **Do not operate power tools in explosive atmospheres, such as in the presence of flammable liquids, gases or dust.**

Power tools create sparks which may ignite the dust or fumes.

c) **Keep children and bystanders away while operating a power tool.**

Distractions can cause you to lose control.

- 2) **Electrical safety**
- a) **Power tool plugs must match the outlet. Never modify the plug in any way. Do not use any adapter plugs with earthed (grounded) power tools.**
Unmodified plugs and matching outlets will reduce risk of electric shock.
 - b) **Avoid body contact with earthed or grounded surfaces such as pipes, radiators, ranges and refrigerators.**
There is an increased risk of electric shock if your body is earthed or grounded.
 - c) **Do not expose power tools to rain or wet conditions.**
Water entering a power tool will increase the risk of electric shock.
 - d) **Do not abuse the cord. Never use the cord for carrying, pulling or unplugging the power tool. Keep cord away from heat, oil, sharp edges or moving parts.**
Damaged or entangled cords increase the risk of electric shock.
 - e) **When operating a power tool outdoors, use an extension cord suitable for outdoor use.**
Use of a cord suitable for outdoor use reduces the risk of electric shock.
 - f) **If operating a power tool in a damp location is unavoidable, use a residual current device (RCD) protected supply.**
Use of an RCD reduces the risk of electric shock.
- 3) **Personal safety**
- a) **Stay alert, watch what you are doing and use common sense when operating a power tool. Do not use a power tool while you are tired or under the influence of drugs, alcohol or medication.**
A moment of inattention while operating power tools may result in serious personal injury.
 - b) **Use personal protective equipment. Always wear eye protection.**
Protective equipment such as dust mask, non-skid safety shoes, hard hat, or hearing protection used for appropriate conditions will reduce personal injuries.
 - c) **Prevent unintentional starting. Ensure the switch is in the off-position before connecting to power source and/or battery pack, picking up or carrying the tool.**
Carrying power tools with your finger on the switch or energising power tools that have the switch on invites accidents.
 - d) **Remove any adjusting key or wrench before turning the power tool on.**
A wrench or a key left attached to a rotating part of the power tool may result in personal injury.
 - e) **Do not overreach. Keep proper footing and balance at all times.**
This enables better control of the power tool in unexpected situations.
 - f) **Dress properly. Do not wear loose clothing or jewellery. Keep your hair, clothing and gloves away from moving parts.**
Loose clothes, jewellery or long hair can be caught in moving parts.
 - g) **If devices are provided for the connection of dust extraction and collection facilities, ensure these are connected and properly used.**
Use of dust collection can reduce dust-related hazards.
- 4) **Power tool use and care**
- a) **Do not force the power tool. Use the correct power tool for your application.**
The correct power tool will do the job better and safer at the rate for which it was designed.
 - b) **Do not use the power tool if the switch does not turn it on and off.**
Any power tool that cannot be controlled with the switch is dangerous and must be repaired.
 - c) **Disconnect the plug from the power source and/or the battery pack from the power tool before making any adjustments, changing accessories, or storing power tools.**
Such preventive safety measures reduce the risk of starting the power tool accidentally.
 - d) **Store idle power tools out of the reach of children and do not allow persons unfamiliar with the power tool or these instructions to operate the power tool.**
Power tools are dangerous in the hands of untrained users.
 - e) **Maintain power tools. Check for misalignment or binding of moving parts, breakage of parts and any other condition that may affect the power tool's operation. If damaged, have the power tool repaired before use.**
Many accidents are caused by poorly maintained power tools.
 - f) **Keep cutting tools sharp and clean.**
Properly maintained cutting tools with sharp cutting edges are less likely to bind and are easier to control.
 - g) **Use the power tool, accessories and tool bits etc. in accordance with these instructions, taking into account the working conditions and the work to be performed.**
Use of the power tool for operations different from those intended could result in a hazardous situation.

- 5) **Service**
- a) **Have your power tool serviced by a qualified repair person using only identical replacement parts.**
This will ensure that the safety of the power tool is maintained.

CIRCULAR SAW SAFETY WARNINGS

Cutting procedures

- a) **⚠ DANGER: Keep hands away from cutting area and the blade. Keep your second hand on auxiliary handle, or motor housing.**
If both hands are holding the saw, they cannot be cut by the blade.
- b) **Do not reach underneath the workpiece.**
The guard cannot protect you from the blade below the workpiece.
- c) **Adjust the cutting depth to the thickness of the workpiece.**
Less than a full tooth of the blade teeth should be visible below the workpiece.
- d) **Never hold piece being cut in your hands or across your leg. Secure the workpiece to a stable platform.**
It is important to support the work properly to minimize body exposure, blade binding, or loss of control.
- e) **Hold the power tool by insulated gripping surfaces only, when performing an operation where the cutting tool may contact hidden wiring or its own cord.**
Contact with a "live" wire will also make exposed metal parts of the power tool "live" and could give the operator an electric shock.
- f) **When ripping always use a rip fence or straight edge guide.**
This improves the accuracy of cut and reduces the chance of blade binding.
- g) **Always use blades with correct size and shape (diamond versus round) of arbour holes.**
Blades that do not match the mounting hardware of the saw will run eccentrically, causing loss of control.
- h) **Never use damaged or incorrect blade washers or bolt.**
The blade washers and bolt were specially designed for your saw, for optimum performance and safety of operation.

Kickback causes and related warnings

- kickback is a sudden reaction to a pinched, bound or misaligned saw blade, causing an uncontrolled saw to lift up and out of the workpiece toward the operator;
- when the blade is pinched or bound tightly by the kerf closing down, the blade stalls and the motor reaction drives the unit rapidly back toward the operator;

- if the blade becomes twisted or misaligned in the cut, the teeth at the back edge of the blade can dig into the top surface of the wood causing the blade to climb out of the kerf and jump back toward the operator.

Kickback is the result of saw misuse and/or incorrect operating procedures or conditions and can be avoided by taking proper precautions as given below.

- a) **Maintain a firm grip with both hands on the saw and position your arms to resist kickback forces. Position your body to either side of the blade, but not in line with the blade.**
Kickback could cause the saw to jump backwards, but kickback forces can be controlled by the operator, if proper precautions are taken.
- b) **When blade is binding, or when interrupting a cut for any reason, release the trigger and hold the saw motionless in the material until the blade comes to a complete stop. Never attempt to remove the saw from the work or pull the saw backward while the blade is in motion or kickback may occur.**
Investigate and take corrective actions to eliminate the cause of blade binding.
- c) **When restarting a saw in the workpiece, centre the saw blade in the kerf and check that saw teeth are not engaged into the material.**
If saw blade is binding, it may walk up or kickback from the workpiece as the saw is restarted.
- d) **Support large panels to minimise the risk of blade pinching and kickback.**
Large panels tend to sag under their own weight. Supports must be placed under the panel on both sides, near the line of cut and near the edge of the panel.
- e) **Do not use dull or damaged blades.**
Unsharpened or improperly set blades produce narrow kerf causing excessive friction, blade binding and kickback.
- f) **Blade depth and bevel adjusting locking levers must be tight and secure before making cut.**
If blade adjustment shifts while cutting, it may cause binding and kickback.
- g) **Use extra caution when sawing into existing walls or other blind areas.**
The protruding blade may cut objects that can cause kickback.

Lower guard function

- a) **Check lower guard for proper closing before each use. Do not operate the saw if lower guard does not move freely and close instantly. Never clamp or tie the lower guard into the open position.**
If saw is accidentally dropped, lower guard may be bent. Raise the lower guard with the retracting handle and make sure it moves freely and does not touch the blade or any other part, in all angles and depths of cut.

- b) Check the operation of the lower guard spring. If the guard and the spring are not operating properly, they must be serviced before use.

Lower guard may operate sluggishly due to damaged parts, gummy deposits, or a build-up of debris.

- c) Lower guard should be retracted manually only for special cuts such as “plunge cuts” and “compound cuts”.

Raise lower guard by retracting handle and as soon as blade enters the material, the lower guard must be released.

For all other sawing, the lower guard should operate automatically.

- d) Always observe that the lower guard is covering the blade before placing saw down on bench or floor.

An unprotected, coasting blade will cause the saw to walk backwards, cutting whatever is in its path.

Be aware of the time it takes for the blade to stop after switch is released.

- 4. Place the wider portion of the saw base on that part of the work piece which is solidly supported, not on the section that will fall off when the cut is made.

As examples, Fig. 2 illustrates the RIGHT way to cut off the end of board, and Fig. 3 the WRONG way. If the work piece is short or small, clamp it down.

DON'T TRY TO HOLD SHORT PLACES BY HAND!

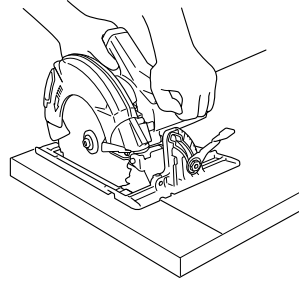


Fig. 2

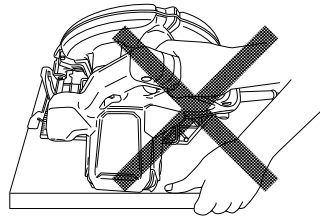


Fig. 3

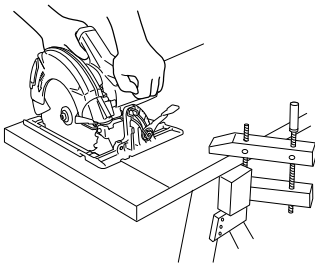
SPECIFIC SAFETY RULES AND SYMBOLS

- 1. Adjustments. Before cutting be sure depth and bevel adjustments are tight.
- 2. Avoid cutting nails. Inspect for and remove all nails from work piece before cutting.
- 3. When operating the saw, keep the cord away from the cutting area and position it so that it will not be caught on the workpiece during the cutting operation.

Operate with proper hand support, proper workpiece support, and supply cord routing away from the work area.

WARNING:

It is important to support the work piece properly and to hold the saw firmly to prevent loss of control which could cause personal injury. Fig. 1 illustrates typical hand support of the saw.



A TYPICAL ILLUSTRATION OF PROPER HAND SUPPORT WORKPIECE SUPPORT, AND SUPPLY CORD ROUTING.

Fig. 1

- 5. Never attempt to saw with the circular saw held upside down in a vise.

This is extremely dangerous and can lead to serious accidents. (Fig. 4)

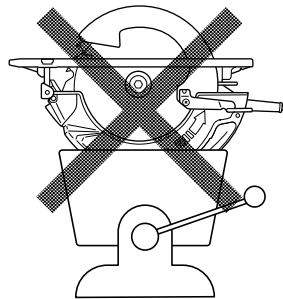




Fig. 4

- 6. Before setting the tool down after completing a cut, be sure that the lower (telescoping) guard has closed and the blade has come to a complete stop.

- 7. Never touch moving parts.**
Never place your hands, fingers or other body parts near the tool's moving parts.
- 8. Never operate without all guards in place.**
Never operate this tool without all guards or safety features in place and in proper working order. If maintenance or servicing requires the removal of a guard or safety feature, be sure to replace the guard or safety feature before resuming operation of the tool.
- 9. Use right tool.**
*Don't force small tool or attachment to do the job of a heavy-duty tool.
Don't use tool for purpose not intended—for example— don't use circular saw for cutting tree limbs or logs.*
- 10. Never use a power tool for applications other than those specified.**
Never use a power tool for applications other than those specified in the Instruction Manual.
- 11. Handle tool correctly.**
Operate the tool according to the instructions provided herein. Do not drop or throw the tool. Never allow the tool to be operated by children, individuals unfamiliar with its operation or unauthorized personnel.
- 12. Keep motor air vent clean.**
The tool's motor air vent must be kept clean so that air can freely flow at all times. Check for dust build-up frequently.
- 13. Operate power tools at the rated voltage.**
*Operate the power tool at voltages specified on their nameplates.
If using the power tool at a higher voltage than the rated voltage, it will result in abnormally fast motor revolution and may damage the unit and burn out the motor.*
- 14. Do not run the saw while carrying it at your side.**
- 15. Keep all screws, bolts and covers tightly in place.**
Keep all screws, bolts, and plates tightly mounted. Check their condition periodically.
- 16. Do not use power tools if the plastic housing or handle is cracked.**
Cracks in the tool's housing or handle can lead to electric shock. Such tools should not be used until repaired.
- 17. Blades and accessories must be securely mounted to the tool.**
Prevent potential injuries to yourself or others. Blades, cutting implements and accessories which have been mounted to the tool should be secure and tight.
- 18. Never use a tool which is defective or operating abnormally.**
If the tool appears to be operating unusually, making strange noises, or otherwise appears defective, stop using it immediately and arrange for repairs by a Hitachi authorized service center.
- 19. Carefully handle power tools.**
Should a power tool be dropped or struck against hard materials inadvertently, it may be deformed, cracked, or damaged.
- 20. Do not wipe plastic parts with solvent.**
Solvents such as gasoline, thinner benzine, carbon tetrachloride, and alcohol may damage and crack plastic parts. Do not wipe them with such solvents. Wipe plastic parts with a soft cloth lightly dampened with soapy water and dried thoroughly.
- 21. Never wear gloves made of material liable to roll up such as cotton, wool, cloth or string, etc.**
- 22. Definitions for symbols.**
V volts
Hz hertz
A amperes
No no load speed
 Class II Construction
---/min revolutions per minute
~ alternating or direct current

DOUBLE INSULATION FOR SAFER OPERATION

To ensure safer operation of this power tool, HITACHI has adopted a double insulation design. "Double insulation" means that two physically separated insulation systems have been used to insulate the electrically conductive materials connected to the power supply from the outer frame handled by the operator. Therefore, either the symbol "" or the words "Double insulation" appear on the power tool or on the nameplate.

Although this system has no external grounding, you must still follow the normal electrical safety precautions given in this Instruction Manual, including not using the power tool in wet environments.

To keep the double insulation system effective, follow these precautions:

- Only HITACHI AUTHORIZED SERVICE CENTER should disassemble or assemble this power tool, and only genuine HITACHI replacement parts should be installed.
- Clean the exterior of the power tool only with a soft cloth moistened with soapy water, and dry thoroughly. Never use solvents, gasoline or thinners on plastic components; otherwise the plastic may dissolve.

**SAVE THESE INSTRUCTIONS
AND
MAKE THEM AVAILABLE TO OTHER USERS
AND
OWNERS OF THIS TOOL!**

FUNCTIONAL DESCRIPTION

NOTE:

The information contained in this Instruction Manual is designed to assist you in the safe operation and maintenance of the power tool.

NEVER operate, or attempt any maintenance on the tool unless you have first read and understood all safety instructions contained in this manual.

Some illustrations in this Instruction Manual may show details or attachments that differ from those on your own power tool.

NAME OF PARTS

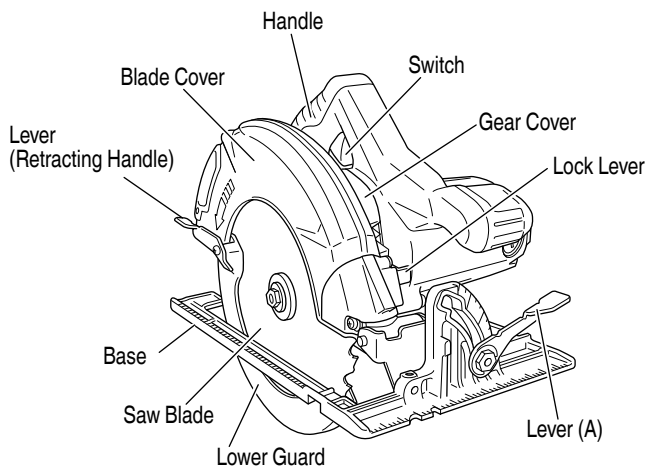


Fig. 5

SPECIFICATIONS

Motor	Single-Phase, Series Commutator Motor
Power Source	Single-Phase 120 V AC 60 Hz, 120 V DC
Max. Cutting Depth	2-7/16" (62 mm)
Current	15 A
No-Load Speed	6000/min.
Weight (without cord)	9.5 lbs (4.3 kg)

ASSEMBLY AND OPERATION

APPLICATIONS

- The tool is designed for wood cutting applications.

⚠ WARNING:

Use extra caution when cutting freshly cut green lumber, hardwood, wet wood, composite wood, pressure treated wood, wood containing knots or having other characteristics which may put a heavy load on the saw or blade. If this occurs, do not force the tool. Push the tool more slowly, but with enough force to keep working without much decrease in speed.

PRIOR TO OPERATION

1. Power source
Ensure that the power source to be utilized conforms to the power source requirements specified on the product nameplate.
2. Power switch
Ensure that the switch is in the OFF position. If the plug is connected to a receptacle while the switch is in the ON position, the power tool will start operating immediately and can cause serious injury.
3. Extension cord
When the work area is far away from the power source, use an extension cord of sufficient thickness and rated capacity. The extension cord should be kept as short as practicable.

⚠ WARNING:

Damaged cord must be replaced or repaired.

4. Check the receptacle
If the receptacle only loosely accepts the plug, the receptacle must be repaired. Contact a licensed electrician to make appropriate repairs.
If such a faulty receptacle is used, it may cause overheating, resulting in a serious hazard.
5. Confirming condition of the environment:
Confirm that the work site is placed under appropriate conditions conforming to prescribed precautions.
6. Prepare a wooden workbench (Fig. 6)
Since the saw blade will extend beyond the lower surface of the work piece, place the work piece on a workbench when cutting. If a square block is utilized as a workbench, select level ground to ensure it is properly stabilized. An unstable workbench will result in hazardous operation.

⚠ CAUTION:

To avoid possible accident, always ensure that the portion of work piece remaining after cutting is securely anchored or held in position.

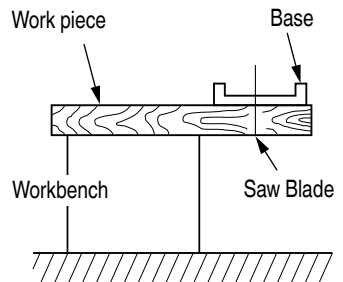


Fig. 6

7. Check if lever (A)s are tightened.
If the lever (A) to adjust cutting depth (Fig. 7) and lever (A) to adjust angle of inclination (Fig. 8) are loose, injury can result. Make sure that they are tightened securely.
8. Check performance of lower guard.

⚠ WARNING:

Make absolutely sure that the safety cover is not fixed. Also, check and see if it can move smoothly. If the saw blade is kept exposed injury can result.

The lower guard (refer to Fig. 5) serves to protect your body from coming into contact with the saw blade. Make absolutely certain that the cover smoothly performs to cover the saw blade. If the lower guard should not move smoothly, never use it without repairing it.

In such a case, get in touch with the store where you bought the circular saw or the HITACHI Authorized Service Center for necessary repair.

9. Eye protection
Always wear eye protection with side shields that meets the requirements of ANSI Standard Z87.1. Ordinary eyeglasses do not provide adequate protection.

⚠ WARNING:

Operating the tool without wearing proper eye protection may result in serious injury.

10. Check if saw blade is tightened
Refer to [mounting and dismantling the saw blade] in Page 14, and make sure that the flange bolt is tightened securely.

ADJUSTING THE SAW PRIOR TO USE

⚠ WARNING:

To avoid serious accidents, ensure the switch is in OFF position, and disconnect the plug from the receptacle.

1. Adjusting the cutting depth (Fig. 7)

⚠ WARNING:

If the lever (A) is loose, injury can result. Tighten it securely after adjustment.

To adjust cutting depth, loosen the lever (A) and, while holding the base with one hand, move the main body up and down to obtain the prescribed cutting depth. After adjusting to the prescribed cutting depth, tighten the lever (A) securely.

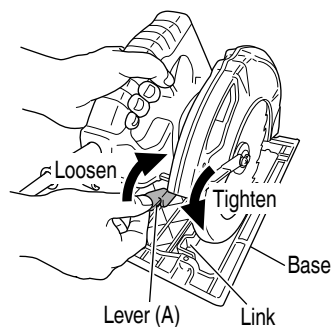


Fig. 7

2. Adjusting the angle of inclination

⚠ WARNING:

If the lever (A) is loose, injury can result. Tighten it securely after adjustment.

You can incline saw blade from 0° to a maximum angle of 55° in relation to the base.

As shown in Fig. 8 by loosening the lever (A) on the bevel scale, the saw blade may be inclined to an angle of 45° in relation to the base.

If you use inclination angle of over 45°, as shown in Fig. 9 move the lever (A) to outside, the saw blade may be inclined to a maximum angle of 55° in relation to the base.

Always ensure that the lever (A) is thoroughly tightened after making the desired adjustment.

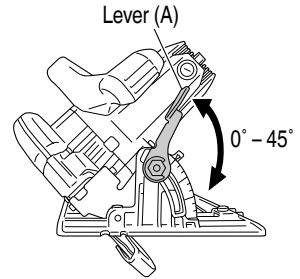


Fig. 8

3. Regulating the guide (Rip fence) (Fig. 10, 11)

..... Optional Accessory

Install the wing bolt (B) and lock spring on the base. Insert the guide into the base, move it left and right and adjust the cutting position. Tighten the wing bolt (B) and fix the guide. The guide can be installed either from the left or the right side of the main body.

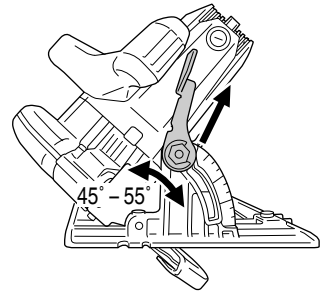


Fig. 9

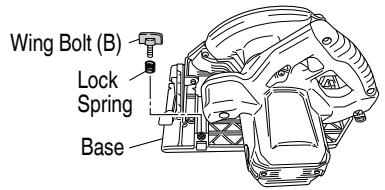


Fig. 10

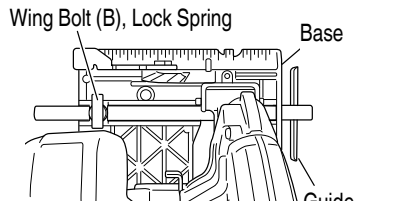


Fig. 11

CUTTING PROCEDURES

⚠ WARNING:

- Never touch the moving parts.
- Should the saw blade be stopped or make an abnormal noise during operation, turn off the switch immediately.
- Don't remove circular saw from work piece during a cut while the saw blade is moving.
- Always wear eye protection with side shields that meets the requirements of ANSI Standard Z87.1. Ordinary eyeglasses do not provide adequate protection.
- Avoid cutting any material like metal, etc., that give off sparks.
- Do not use any abrasive wheels.
- Use only blade diameter specified on the product nameplate.

⚠ CAUTION:

- Always take care in preventing the power cord from coming near the revolving saw blade.
- Before starting to saw, ensure that the saw blade has reached full speed revolution.

1. Place the saw body (base) on the work piece, and as in Fig. 12 align the intended line of cut with the saw blade, using the notch. This relationship of base to work pieces should remain unchanged regardless of the inclination of the base.
2. The switch should be turned to the ON position before the saw blade comes into contact with the work piece. The switch is turned ON when the trigger is pulled by one's finger, and is turned OFF when the trigger is released.
3. Moving the saw straight at a constant speed will produce optimum cutting.

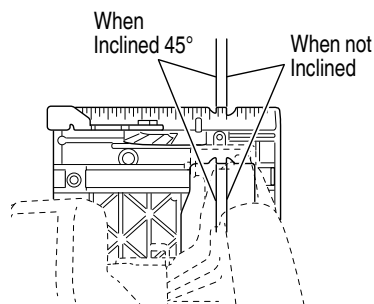


Fig. 12

[POCKET CUTTING]

⚠ WARNING:

- To avoid serious accident, ensure the switch is OFF position, and disconnect the plug from the receptacle before any adjustment.
- Never tie or wedge the lower guard in a raised position.

1. Mark the desired cutting area clearly with lines all side. (See Fig. 13)
2. Set depth adjustment according to material to be cut.
3. Push the lever all the way back so the blade is exposed as shown in Fig. 13.
4. Tilt saw forward and align the notch (Fig. 12) with the pre-marked guide line.
5. Release the lever. When the lower guard contacts the work piece surface, it will be in proper position to open freely when cutting is commenced.
6. Holding the saw in position, with the blade not contacting the work piece surface, pull the trigger.
7. After the saw has reached full speed, gradually lower rear end of the saw until its base rests on the work surface.

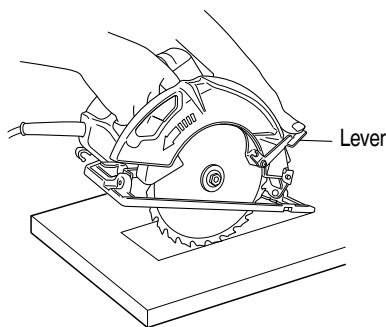


Fig. 13

8. Advance saw along the cutting line up to the corner.
9. Release trigger and allow blade to stop completely before withdrawing the blade from the work piece.
- Never under any circumstances pull the saw backwards while the blade is in motion, as kickback may result.
10. Use a jig saw or hand saw to cut the corners out clean.
11. When starting each new cut, repeat as above.

USING THE CORD HOLDER

By threading the cord through the cord holder, the cord can be set to be drawn in a side direction. (See Fig. 14)

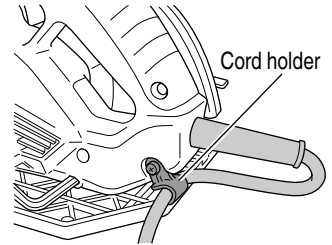


Fig. 14

MOUNTING AND DISMOUNTING THE SAW BLADE

⚠ WARNING:

To avoid serious accident ensure the switch is in the OFF position, and disconnect the plug from the receptacle.

1. Dismounting the saw blade
 - (1) Set the cutting volume at maximum, and place the Circular Saw as shown in Fig. 15.
 - (2) Depress the lock lever, lock the spindle, and remove the hexagonal-flange bolt and washer (B) with the Hex. Bar wrench.
 - (3) While holding the lever to keep the lower guard fully retracted into the blade cover, remove the saw blade. (Fig. 16)
2. Mounting the saw blade
 - (1) Thoroughly remove any sawdust which has accumulated on the spindle, bolt and washers.
 - (2) For mounting saw blade, the concave sides of both washers (A) and (B) must be fitted to the saw blade sides. Mount the saw blade on the spindle, and finally affix washer (B) (See Fig. 17)
 - (3) To assure proper rotation direction of the saw blade, the arrow direction on the saw blade must coincide with the arrow direction on the blade cover.
 - (4) Using the fingers, tighten the hexagonal bolt retaining the saw blade as much as possible. Then depress the lock lever, lock the spindle, and thoroughly tighten the bolt.
 - (5) Confirm that the lock lever is in the original position.

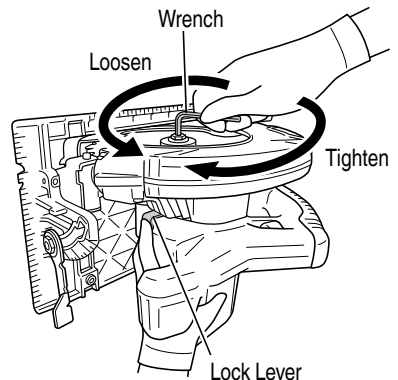


Fig. 15

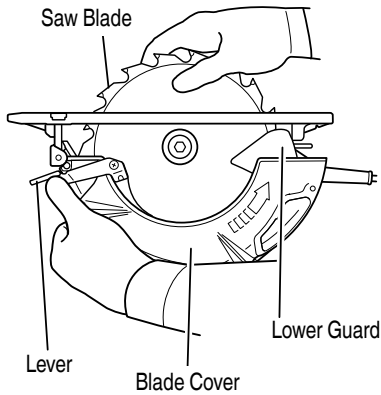


Fig. 16

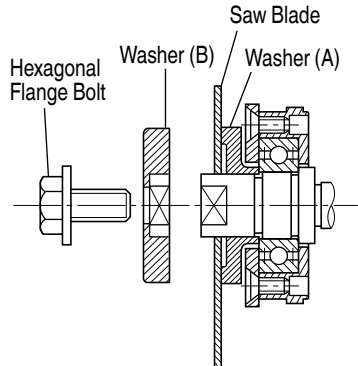


Fig. 17

MAINTENANCE AND INSPECTION

⚠ WARNING:

To avoid serious accident, ensure the switch is in the OFF position and disconnect the plug from the receptacle during maintenance and inspection.

1. Inspecting the saw blade:

Since use of a dull saw blade will degrade efficiency and cause possible motor malfunction, sharpen or replace the saw blade as soon as abrasion is noted.

⚠ CAUTION:

If a dull saw blade is used, reactive force is increased during cutting operation. Avoid the use of the dull saw blade without repair.

2. Check the screws

Loose screws are dangerous. Regularly inspect them and make sure they are tight.

⚠ CAUTION:

Using this power tool with loosened screws is extremely dangerous.

3. Inspecting the carbon brushes (Fig. 18)

The motor employs carbon brushes which are consumable parts. Replace the carbon brush with a new one when it becomes worn to its wear limit. Always keep carbon brushes clean and ensure that they slide freely within the brush holders.

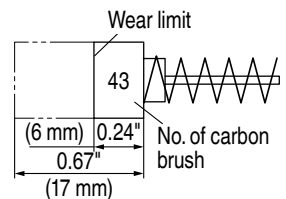


Fig. 18

⚠ CAUTION:

Using this circular saw with a carbon brush which is worn in excess of the wear limit will damage the motor.

NOTE:

Use HITACHI carbon brush No. 43 indicated in Fig. 18.

4. Replacing carbon brushes:
Remove the brush caps with a slotted-head screwdriver. The carbon brushes can then be easily removed. (Fig. 19)
5. Performance checkup and maintenance of lower guard
Keep the lower guard in good shape for smooth performance at all times. Be sure to make prompt repair in case of any malfunction.

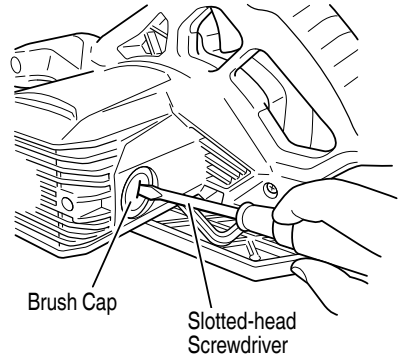


Fig. 19

6. Adjusting the base and saw blade to maintain perpendicularity
The angle between the base and the saw blade has been adjusted to 90°, however should this perpendicularity be lost for some reason, adjust in the following manner.

- (1) Turn the base face up (Fig. 20) and loosen the lever (A).
- (2) Apply a square to the base and the saw blade and, turning the Hex. socket screw with a Hex. bar wrench, shift the position of the base to produce the desired right angle.

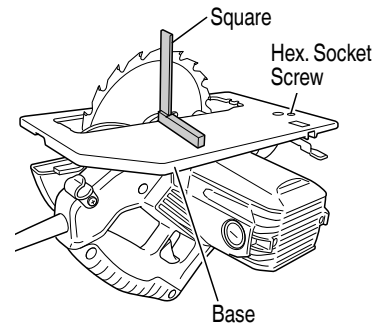


Fig. 20

7. Inspecting and maintaining the lower guard
Always make sure that the lower guard moves smoothly.
In the event of any malfunction, immediately repair the lower guard.
For cleaning and maintenance, use an air gun or other tool to blow clean the space between the lower guard and gear cover as well as the rotation part of the lower guard with dry air (Fig. 21).
Doing so is effective for the emission of chips or other particles.
Accumulation of chips or other particles around the lower guard may result in malfunction or damage.

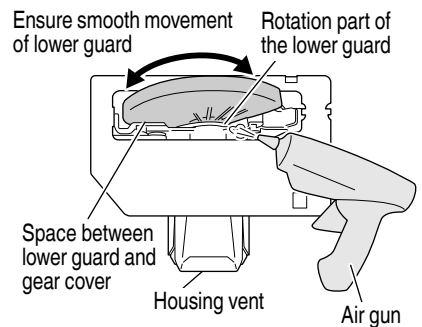


Fig. 21

⚠ WARNING:

To prevent dust inhalation or eye irritation, wear protective safety goggles and a dust mask when using an air gun or other tool to clean the lower guard, ventilation holes or other parts of the product.

8. Service parts list

CAUTION:

Repair, modification and inspection of Hitachi Power Tools must be carried out by a Hitachi Authorized Service Center.

This Parts List will be helpful if presented with the tool to the Hitachi Authorized Service Center when requesting repair or other maintenance. In the operation and maintenance of power tools, the safety regulations and standards prescribed in each country must be observed.

MODIFICATIONS:

Hitachi Power Tools are constantly being improved and modified to incorporate the latest technological advancements. Accordingly, some parts may be changed without prior notice.

ACCESSORIES

⚠ WARNING:

Accessories for this power tool are mentioned in this Instruction Manual.

The use of any other attachment or accessory can be dangerous and could cause injury or mechanical damage.

NOTE:

Accessories are subject to change without any obligation on the part of the HITACHI.

STANDARD ACCESSORIES

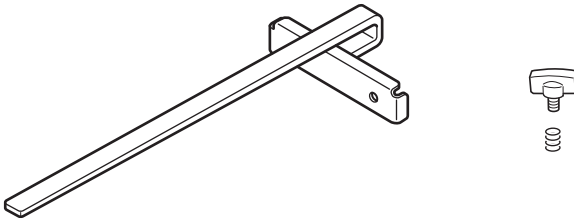
- (1) Saw Blade 1

External Diam.	Hole Diam.	Code No.
7-1/4" (184 mm)	5/8" (15.9 mm)	115429

- (2) Hex. Bar Wrench 6 mm (Code No. 872422) 1

OPTIONAL ACCESSORIES.....sold separately

- (1) Guide (Code No. 302691) (Includes (2) and (3).)
 (2) Wing Bolt (B) (Code No. 302697)
 (3) Lock Spring (Code No. 947859)



NOTE:

Specifications are subject to change without any obligation on the part of the HITACHI.

INFORMATIONS IMPORTANTES DE SÉCURITÉ

Lire et comprendre toutes les précautions de sécurité, les avertissements et les instructions de fonctionnement dans ce mode d'emploi avant d'utiliser ou d'entretenir cet outil motorisé.

La plupart des accidents causés lors de l'utilisation ou de l'entretien de l'outil motorisé proviennent d'un non respect des règles ou précautions de base de sécurité. Un accident peut la plupart du temps être évité si l'on reconnaît une situation de danger potentiel avant qu'elle ne se produise, et en observant les procédures de sécurité appropriées.

Les précautions de base de sécurité sont mises en évidence dans la section "SECURITE" de ce mode d'emploi et dans les sections qui contiennent les instructions de fonctionnement et d'entretien.

Les dangers qui doivent être évités pour prévenir des blessures corporelles ou un endommagement de la machine sont identifiés par AVERTISSEMENTS sur l'outil motorisé et dans ce mode d'emploi.

NE JAMAIS utiliser cet outil motorisé d'une manière qui n'est pas spécifiquement recommandée par HITACHI.





SIGNIFICATION DES MOTS D'AVERTISSEMENT

AVERTISSEMENT indique des situations potentiellement dangereuses qui, si elles sont ignorées, pourraient entraîner la mort ou de sérieuses blessures.

PRECAUTION indique des situations dangereuses potentielles qui, si elles ne sont pas évitées, peuvent entraîner de mineures et légères blessures ou endommager la machine.

REMARQUE met en relief des informations essentielles.

SIGNIFICATION DES SYMBOLES

Symboles	
 AVERTISSEMENT Les symboles suivants sont utilisés pour l'outil. Bien se familiariser avec leur signification avant d'utiliser l'outil.	
	Lire tous les avertissements de sécurité et toutes les instructions. Tout manquement à observer ces avertissements et instructions peut engendrer des chocs électriques, des incendies et/ou des blessures graves.
	 Toujours porter des verres de protection.
	 Porter des protections anti-bruit en permanence.

SECURITE

AVERTISSEMENTS DE SÉCURITÉ GÉNÉRAUX CONCERNANT LES OUTILS ÉLECTRIQUES

AVERTISSEMENT:

Lire tous les avertissements de sécurité et toutes les instructions

Tout manquement à observer ces avertissements et instructions peut engendrer des chocs électriques, des incendies et/ou des blessures graves.

Conservez tous les avertissements et toutes les instructions pour vous y référer ultérieurement.

Le terme "outil électrique", utilisé dans les avertissements, se réfère aux outils électriques (câblé) ou aux outils à piles (sans fil).

- 1) **Sécurité de l'aire de travail**
 - a) **Maintenir l'aire de travail propre et bien éclairée.**
Les endroits encombrés ou sombres sont propices aux accidents.
 - b) **Ne pas utiliser d'outils électriques en présence de liquides, gaz ou poussière inflammables, au risque de provoquer une explosion.**

Les outils électriques créent des étincelles susceptibles d'enflammer la poussière.

- c) **Ne pas laisser les enfants et les visiteurs s'approcher de vous lorsque vous utiliser un outil électrique.**
Les distractions peuvent faire perdre le contrôle.
- 2) **Sécurité électrique**
- a) **Les prises de l'outil électrique doivent correspondre à la prise secteur. Ne jamais modifier la prise. Ne pas utiliser d'adaptateurs avec les outils électriques mis à la masse.**
Les prises non modifiées et les prises secteurs correspondantes réduisent les risques de choc électrique.
- b) **Éviter tout contact avec les surfaces mises à la masse telles que les tuyaux, radiateurs, bandes et réfrigérateurs.**
Le risque de choc électrique est accru en cas de mise à la masse du corps.
- c) **Ne pas exposer les outils électriques à la pluie ou à des conditions humides.**
Si l'eau pénètre dans l'outil, cela augmente les risques de choc électrique.
- d) **Ne pas utiliser le cordon à tort. Ne jamais utiliser le cordon pour transporter ou débrancher l'outil électrique. Maintenir le cordon loin de la chaleur, de l'huile, des bords pointus ou des pièces mobiles.**
Les cordons endommagés ou usés augmentent les risques de choc électrique.
- e) **En cas d'utilisation d'un outil électrique à l'extérieur, utiliser un cordon de rallonge adapté à un usage extérieur.**
L'utilisation d'un cordon adapté à l'usage extérieur réduit les risques de choc électrique.
- f) **Si vous devez utiliser un outil électrique dans un endroit humide, utilisez une alimentation protégée contre les courants résiduels.**
L'utilisation d'un dispositif de protection contre les courants résiduels réduit le risque de choc électrique.
- 3) **Sécurité personnelle**
- a) **Restez alerte, regarder ce que vous faites et usez de votre bon sens en utilisant un outil électrique. Ne pas utiliser d'outil électrique si vous êtes sous l'influence de drogues, d'alcool ou de médicaments.**
Pendant l'utilisation d'outils électrique, un instant d'inattention peut entraîner des blessures graves.
- b) **Utiliser un équipement de protection individuelle. Toujours porter des verres de protection.**
- L'utilisation d'équipements de protection tels que les masques anti-poussière, les chaussures de sécurité anti-dérapantes, les casques ou les protections auditives dans des conditions appropriées réduisent les risques de blessures.
- c) **Empêcher les démarrages intempestifs. Veiller à ce que l'interrupteur soit en position d'arrêt avant de brancher à une source d'alimentation et/ou une batterie, de ramasser l'outil au sol ou de le transporter.**
Transporter les outils électriques avec le doigt sur l'interrupteur ou brancher les outils électriques avec l'interrupteur en position de marche peut entraîner des accidents.
- d) **Retirer toute clé de sécurité ou clé avant de mettre l'outil électrique en marche.**
Laisser une clé ou une clé de sécurité sur une partie mobile de l'outil électrique peut engendrer des blessures.
- e) **Ne pas trop se pencher. Toujours garder une bonne assise et un bon équilibre pendant le travail.**
Cela permet un meilleur contrôle de l'outil électrique dans des situations imprévisibles.
- f) **Porter des vêtements adéquats. Ne pas porter de vêtements amples ni de bijoux. Maintenir les cheveux, les vêtements et les gants loin des pièces mobiles.**
Les vêtements amples ou les cheveux longs peuvent se prendre dans les pièces mobiles.
- g) **En cas de dispositifs destinés au raccordement d'installations d'extraction et de recueil de la poussière, veiller à ce qu'ils soient correctement raccordés et utilisés.**
L'utilisation d'un dispositif de collecte de la poussière peut réduire les dangers associés à la poussière.
- 4) **Utilisation et entretien d'un outil électrique**
- a) **Ne pas forcer sur l'outil électrique. Utiliser l'outil électrique adapté à vos travaux.**
Le bon outil électrique fera le travail mieux et en toute sécurité au régime pour lequel il a été conçu.
- b) **Ne pas utiliser l'outil électrique si l'interrupteur ne le met pas en position de marche et d'arrêt.**
Tout outil ne pouvant être contrôlé par l'interrupteur est dangereux et doit être réparé.
- c) **Débrancher la prise ou retirer la batterie avant de procéder à des réglages, au remplacement des accessoires ou au stockage des outils électriques.**
Ces mesures préventives de sécurité réduisent les risques de démarrage accidentel de l'outil électrique.

- d) **Stockez les outils électriques inutilisés hors de la portée des enfants et ne pas laisser des personnes non familiarisées avec l'outil ou ces instructions utiliser l'outil électrique.**
Les outils électriques sont dangereux entre les mains d'utilisateurs non habilités.
- e) **Entretien des outils électriques. Vérifier l'absence de mauvais alignement ou d'arrêt, d'endommagement de pièces ou toute autre condition susceptible d'affecter l'opération de l'outil.**
Si l'outil est endommagé, le faire réparer avant utilisation.
De nombreux accidents sont dus à des outils mal entretenus.
- f) **Maintenir les outils coupants aiguisés et propres.**
Des outils coupants bien entretenus avec des bords aiguisés sont moins susceptibles de se coincer et plus simples à contrôler.
- g) **Utiliser l'outil électrique, les accessoires et les mâches de l'outil, etc. conformément à ces instructions en tenant compte des conditions d'utilisation et du travail à réaliser.**
L'utilisation de l'outil électrique pour des opérations différentes de celles pour lesquelles il a été conçu est dangereuse.
- 5) **Service**
- a) **Faire entretenir l'outil électrique par un technicien habilité à l'aide de pièces de rechange identiques exclusivement.**
Cela garantira le maintien de la sécurité de l'outil électrique.
- d) **Ne tenez jamais la pièce à débiter dans vos mains ou sur vos jambes. Assurez-vous que la pièce à travailler se trouve sur une plate-forme stable.**
Il est important que la pièce à travailler soit soutenue convenablement, afin de minimiser l'exposition du corps, le grippage de la lame, ou la perte de contrôle.
- e) **Maintenez l'outil uniquement par les surfaces de prise isolantes, si l'outil coupant, en marche, peut être en contact avec des conducteurs cachés ou avec son propre cordon d'alimentation.**
Le contact avec un fil "sous tension" mettra également "sous tension" les parties métalliques exposées de l'outil et pourra provoquer un choc électrique sur l'opérateur.
- f) **Lors d'une coupe, utilisez toujours un guide parallèle ou un guide à bords droits.**
Cela améliore la précision de la coupe et réduit les risques de grippage de la lame.
- g) **Utilisez toujours des lames dont la taille et la forme (diamètre et rond) des alésages centraux sont convenables.**
Les lames qui ne correspondent pas aux éléments de montage de la scie ne fonctionneront pas bien, provoquant une perte de contrôle.
- h) **N'utilisez jamais de rondelles ou de boulons de lames endommagés ou inadaptés.**
Les rondelles et les boulons de lames ont été spécialement conçus pour votre scie, afin de garantir une performance optimale et une sécurité de fonctionnement.

AVERTISSEMENTS DE SÉCURITÉ RELATIFS À LA SCIE CIRCULAIRE

Procédures de coupe

- a) **⚠ DANGER: N'approchez pas les mains de la zone de coupe et de la lame. Gardez la deuxième main sur la poignée auxiliaire ou sur le boîtier du moteur.**
Si les deux mains tiennent la scie, elles ne peuvent pas être coupées par la lame.
- b) **N'exposez aucune partie de votre corps sous la pièce à travailler.**
Le protecteur ne peut pas vous protéger de la lame sous la pièce à travailler.
- c) **Ajustez la profondeur de coupe à l'épaisseur de la pièce à travailler.**
Il convient que moins de la totalité d'une dent parmi toutes les dents de la lame soit visible sous la pièce à travailler.

Causes du recul et mises en garde correspondantes

- le recul est une réaction soudaine observée sur une lame de scie pincée, bloquée ou mal alignée, faisant sortir la scie de la pièce à travailler de manière incontrôlée dans la direction de l'opérateur;
- lorsque la lame est pincée ou bloquée fermement par le fond du trait de scie, la lame se bloque et le moteur fait retourner brutalement le bloc à l'opérateur;
- si la lame se tord ou est mal alignée lors de la coupe, les dents sur le bord arrière de la lame peuvent creuser la face supérieure du bois, ce qui fait que la lame sort du trait de scie et est projetée sur l'opérateur.

Le recul est le résultat d'un mauvais usage de la scie et/ou de procédures ou de conditions de fonctionnement incorrectes et peut être évité en prenant les précautions adéquates spécifiées ci-dessous.

- a) **Maintenez fermement la scie avec les deux mains et positionnez vos bras afin de résister aux forces de recul. Positionnez votre corps d'un des côtés de la lame, mais pas dans l'alignement de la lame.**
Le recul peut faire revenir la scie en arrière, mais les forces de recul peuvent être maîtrisées par l'opérateur, si les précautions adéquates sont prises.

- b) Lorsque la lame est grippée ou lorsqu'une coupe est interrompue pour quelque raison que ce soit, relâchez le bouton de commande et maintenez la scie immobile dans le matériau, jusqu'à ce que la lame arrête complètement de fonctionner. N'essayez jamais de retirer la scie de la pièce à travailler ou tirez la scie en arrière pendant que la lame est en mouvement ou que le recul peut se produire.
Recherchez et prenez des mesures correctives afin d'empêcher que la lame ne se grippe.
- c) Lorsque vous remettez en marche une scie dans la pièce à travailler, centrez la lame de scie dans le trait de scie et vérifiez que les dents de la scie ne soient pas rentrées dans le matériau.
Si la lame de scie est grippée, elle peut venir chevaucher la pièce à travailler ou en sortir lorsque la scie est remise en fonctionnement.
- d) Placez des panneaux de grande taille sur un support afin de minimiser les risques de pincement de la lame et de recul.
Les grands panneaux ont tendance à fléchir sous leur propre poids. Les supports doivent être placés sous le panneau des deux côtés, près de la ligne de coupe et près du bord du panneau.
- e) N'utilisez pas de lames émoussées ou endommagées.
Des lames non aiguisées ou mal fixées entraînent un trait de scie rétréci, provoquant trop de frottements, un grippage de la lame et un recul.
- f) La profondeur de la lame et les leviers de verrouillage et de réglage du biseau doivent être solides et stables avant de réaliser la coupe.
Si l'ajustement de la lame dérive pendant la coupe, cela peut provoquer un grippage et un recul.
- g) Soyez d'autant plus prudent lorsque vous découpez des parois existantes ou d'autres zones sans visibilité.
La lame saillante peut couper des objets qui peuvent entraîner un recul.

Fonctionnement du protecteur inférieur

- a) Vérifiez que le protecteur inférieur soit bien fermé avant chaque utilisation.
Ne mettez pas la scie en marche si le protecteur inférieur ne se déplace pas librement et ne se ferme pas instantanément. Ne serrez jamais ou n'attachez jamais le protecteur inférieur en position ouverte.
Si la scie tombe accidentellement, le protecteur inférieur peut se tordre. Soulevez le protecteur inférieur avec la poignée rétractive et assurez-vous qu'il bouge librement et n'est pas en contact avec la lame ou toute autre partie, à tous les angles et profondeurs de coupe.

- b) Vérifiez le fonctionnement du ressort du protecteur inférieur. Si le protecteur et le ressort ne fonctionnent pas correctement, ils doivent être révisés avant utilisation.

Le protecteur inférieur peut fonctionner lentement en raison d'éléments endommagés, de dépôts collants ou de l'accumulation de débris.

- c) Le protecteur inférieur peut revenir se loger manuellement uniquement pour les coupes particulières telles que les "coupes plongeantes" et les "coupes complexes". Soulevez le protecteur inférieur par la poignée rétractive et dès que la lame entre dans le matériau, le protecteur inférieur doit être relâché.

Pour toutes les autres découpes, il convient que le protecteur inférieur fonctionne automatiquement.

- d) Vérifiez toujours que le protecteur inférieur recouvre la lame avant de poser la scie sur un établi ou sur le sol.

Une lame non protégée et continuant à fonctionner par inertie entraînera la scie en arrière, et coupera alors tout ce qui se trouve sur sa trajectoire. Soyez conscient du temps nécessaire à la lame pour s'arrêter après que l'interrupteur est relâché.

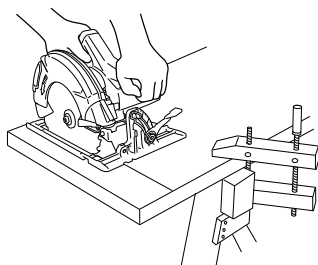
RÈGLES DE SÉCURITÉ SPÉCIFIQUES ET SYMBOLES

1. Réglages. Avant de couper, bien vérifier que les réglages de profondeur et de biseau sont solides.
2. Éviter de couper des clous. Avant de couper, vérifier s'il y a des clous dans le matériau et les retirer le cas échéant.
3. Lors du fonctionnement de la scie, tenir le cordon éloigné de la zone de coupe et le placer de façon qu'il ne soit pas pris dans la pièce pendant l'opération de coupe.

Utiliser un support de main approprié, un support de pièce approprié, et acheminer le cordon loin de la zone de travail.

AVERTISSEMENT:

Il est important de soutenir la pièce correctement et de tenir solidement la scie pour éviter toute perte de contrôle pouvant entraîner des blessures physiques. La Fig. 1 donne un exemple type de soutien manuel de la scie.



EXEMPLE TYPE DE SOUTIEN MANUEL DE LA SCIE ET, SOUTIEN LA PIÈCE ET D'ACHEMINEMENT DU CORDON.

Fig. 1

4. Placer la section large de l'embase de la scie sur la section de la pièce qui est fermement soutenue, et non sur la section qui va tomber après la coupe.

A titre d'exemples, la Fig. 2 montre la façon CORRECTE de couper l'extrémité de la planche, et la Fig. 3 montre la façon INCORRECTE. Si la pièce est trop courte ou trop petite, la fixer.

NE PAS ESSAYER DE TENIR LES SECTIONS COURTES À LA MAIN!

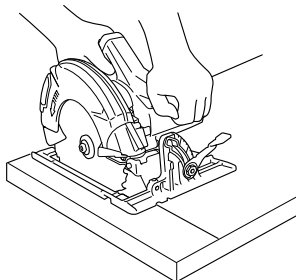


Fig. 2

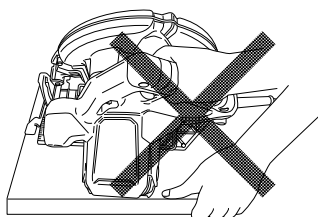


Fig. 3

5. Ne jamais tenter de scier avec la scie circulaire dirigée vers le bas dans un étau.

Ceci serait extrêmement dangereux et pourrait entraîner de graves accidents. (Fig. 4)

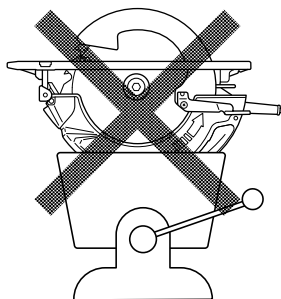





Fig. 4

6. Avant de poser l'outil par terre une fois la coupe terminée, bien s'assurer que la garde inférieure (télescopique) s'est refermée et que la lame est complètement arrêtée.
7. Ne jamais toucher les parties mobiles.
Ne jamais placer ses mains, ses doigts ou toute autre partie de son corps près des parties mobiles de l'outil.
8. Ne jamais utiliser l'outil sans que tous les dispositifs de sécurité ne soient en place.
Ne jamais faire fonctionner cet outil sans que tous les dispositifs et caractéristiques de sécurité ne soient en place et en état de fonctionnement. Si un entretien ou une réparation nécessite le retrait d'un dispositif ou d'une caractéristique de sécurité, s'assurer de bien remettre en place le dispositif ou la caractéristique de sécurité avant de recommencer à utiliser l'outil.
9. Utiliser l'outil correct
Ne pas forcer sur un petit outil ou accessoire pour faire le travail d'un outil de grande puissance. Ne pas utiliser un outil pour un usage pour lequel il n'a pas été prévu: par exemple, ne pas utiliser une scie circulaire pour couper des branches d'arbre ou des bûches.
10. Ne jamais utiliser un outil motorisé pour des applications autres que celles spécifiées.
Ne jamais utiliser un outil motorisé pour des applications autres que celles spécifiées dans le mode d'emploi.
11. Manipuler l'outil correctement
Utiliser l'outil de la façon indiquée dans ce mode d'emploi. Ne pas laisser tomber ou lancer l'outil. Ne jamais permettre que l'outil soit utilisé par des enfants, des personnes non familiarisées avec son fonctionnement ou un personnel non autorisé.
12. Garder propres les Events d'air du moteur
Les événements d'air du moteur doivent être maintenus propres de façon que l'air puisse circuler librement tout le temps. Vérifier les accumulations de poussière fréquemment.

- 13. Utiliser l'outil motorisé à la tension nominale.**
*Utiliser l'outil motorisé à la tension spécifiée sur sa plaque signalétique.
 Si l'on utilise l'outil motorisé avec une tension supérieure à la tension nominale, il en résultera une rotation anormalement trop rapide du moteur et cela risque d'endommager l'outil et le moteur risque de griller.*
- 14. Ne pas transporter la scie à la main avec la lame qui tourne.**
- 15. Maintenir toutes les vis, tous les boulons et les couvercles fermement en place.**
Maintenir toutes les vis, tous les boulons et les couvercles fermement montés. Vérifier leurs conditions périodiquement.
- 16. Ne pas utiliser les outils motorisés si le revêtement de plastique ou la poignée est fendu.**
Des fentes dans le revêtement ou la poignée peuvent entraîner une électrocution. De tels outils ne doivent pas être utilisés avant d'être réparés.
- 17. Les lames et les accessoires doivent être fermement montés sur l'outil.**
Éviter les blessures potentielles personnelles et aux autres. Les lames, les instruments de coupe et les accessoires qui ont été montés sur l'outil doivent être fixés et serrés fermement.
- 18. Ne jamais utiliser un outil défectueux ou qui fonctionne anormalement.**
Si l'outil n'a pas l'air de fonctionner normalement, fait des bruits étranges ou sans cela paraît défectueux, arrêter de l'utiliser immédiatement et le faire réparer par un centre de service Hitachi autorisé.
- 19. Manipuler l'outil motorisé avec précaution.**
Si un outil motorisé tombe ou frappe un matériau dur accidentellement, il risque d'être déformé, fendu ou endommagé.
- 20. Ne pas essuyer les parties en plastique avec du solvant.**
*Les solvants comme l'essence, les diluants, la benzine, le tétrachlorure de carbone et l'alcool peuvent endommager et fissurer les parties en plastique. Ne pas les essuyer avec de tels solvants.
 Essuyer les parties en plastique avec un chiffon doux légèrement imbibé d'une solution d'eau savonneuse et sécher minutieusement.*
- 21. Ne jamais porter de gants faits d'un matériau susceptible de se rouler, comme du coton, de la laine, du drap ou de la ficelle, etc.**
- 22. Définition des symboles.**
 V volts
 Hz hertz
 A ampères
 No vitesse sans charge
 Construction de classe II
 ---/min tours par minute
 courant continu ou direct

DOUBLE ISOLATION POUR UN FONCTIONNEMENT PLUS SÛR

Pour assurer un fonctionnement plus sûr de cet outil motorisé, HITACHI a adopté une conception à double isolation. "Double isolation" signifie que deux systèmes d'isolation physiquement séparés ont été utilisés pour isoler les matériaux conducteurs d'électricité connectés à l'outil motorisé à partir du cadre extérieur manipulé par l'utilisateur. C'est pourquoi, le symbole " " ou les mots "Double insulation" (double isolation) apparaissent sur l'outil motorisé ou sur la plaque signalétique.

Bien que ce système n'ait pas de mise à terre extérieure, il est quand même nécessaire de suivre les précautions de sécurité électrique données dans ce mode d'emploi, y-compris de ne pas utiliser l'outil motorisé dans un environnement humide.

Pour garder le système de double isolation effectif, suivre ces précautions:

- Seuls les CENTRES DE SERVICE AUTORISÉS HITACHI peuvent démonter et remonter cet outil motorisé et uniquement des pièces de rechange HITACHI garanties d'origine doivent être utilisées.
- Nettoyer l'extérieur de l'outil motorisé uniquement avec un chiffon doux légèrement imbibé d'une solution savonneuse et essuyer minutieusement. Ne jamais utiliser des solvants, de l'essence ou des diluants sur les parties en plastique; sinon le plastique risquerait de se dissoudre.

**CONSERVER CES INSTRUCTIONS
ET
LES METTRE A LA DISPOSITION DES AUTRES
UTILISATEURS
ET
PROPRIETAIRES DE CET OUTIL!**

DESCRIPTION FONCTIONNELLE

REMARQUE:

Les informations contenues dans ce mode d'emploi sont conçues pour assister l'utilisateur dans une utilisation sans danger et un entretien de l'outil motorisé.

NE JAMAIS utiliser ni entreprendre une révision de l'outil sans avoir d'abord lu et compris toutes les instructions de sécurité contenues dans ce manuel.

Certaines illustrations dans ce mode d'emploi peuvent montrer des détails ou des accessoires différents de ceux de l'outil motorisé utilisé.

NOM DES PARTIES

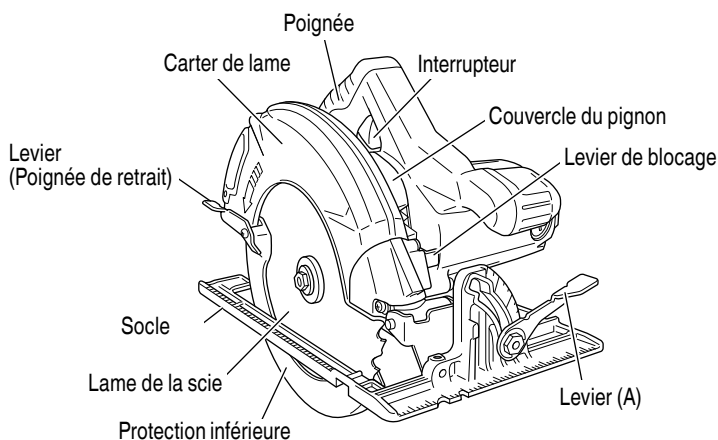


Fig. 5

SPECIFICATIONS

Moteur	Moteur série monophasé à collecteur
Source d'alimentation	Secteur, 120 V 60 Hz, monophasé, 120 V DC
Profondeur max. de coupe	2-7/16" (62 mm)
Curant	15 A
Vitesse sans charge	6000/min.
Poids	9.5 lbs (4.3 kg)

ASSEMBLAGE ET FONCTIONNEMENT

APPLICATIONS

- L'outil est conçu pour les applications de coupe de bois.

⚠ AVERTISSEMENT:

Redoublez de prudence lors de la coupe de bois vert, dur, humide, composite, traité, ayants des nœuds ou ayant d'autres caractéristiques qui peuvent surcharger la scie ou lame. Dans ce cas, ne forcez pas l'outil. Poussez l'outil plus lentement, mais avec assez de force pour continuer à travailler sans trop réduire la vitesse.

AVANT L'UTILISATION

1. Source d'alimentation
S'assurer que la source d'alimentation qui doit être utilisée est conforme à la source d'alimentation requise spécifiée sur la plaque signalétique du produit.
2. Interrupteur d'alimentation
S'assurer que l'interrupteur est sur la position OFF (arrêt). Si la fiche est connectée sur une prise alors que l'interrupteur est sur la position ON (marche), l'outil motorisé démarrera immédiatement risquant de causer de sérieuses blessures.
3. Cordon prolongateur
Quand la zone de travail est éloignée de la source d'alimentation, utiliser un cordon prolongateur d'épaisseur et de capacité nominale suffisante. Le cordon prolongateur doit être aussi court que possible.

⚠ AVERTISSEMENT:

Tout cordon endommagé devra être remplacé ou réparé.

4. Vérifier la prise
Si la prise reçoit la fiche avec beaucoup de jeu, elle doit être réparée. Contacter un électricien licencié pour réaliser les réparations nécessaires.
Si une telle prise défectueuse est utilisée, elle peut causer une surchauffe entraînant des dangers sérieux.
5. Vérification des conditions d'environnement
Vérifier que l'état de l'aire de travail est conforme aux précautions.
6. Préparer un établi de travail en bois (Fig. 6).
La lame de scie se déplaçant au-delà de la surface inférieure du matériau, placer le matériau sur un établi en bois pour effectuer la coupe. Si l'on utilise un bloc carré comme établi de travail, sélectionner un sol de niveau pour bien stabiliser le travail. Un établi de travail instable risque de rendre le travail dangereux.

⚠ PRECAUTION:

Pour éviter tout risque d'accident, toujours s'assurer que la section du matériau qui reste après la coupe est solidement ancrée ou maintenue en place.

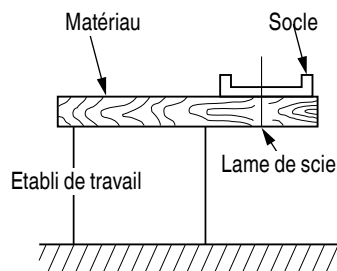


Fig. 6

- Vérifier si les leviers (A) sont bien serrés.
Si le levier (A) de réglage de la profondeur de coupe (Fig. 7) et le levier (A) de réglage de l'angle de biseau (Fig. 8) sont desserrés, cela risque d'entraîner des blessures. Bien s'assurer qu'ils sont serrés à fond.
- Vérifier la performance de la protection inférieure.

⚠ AVERTISSEMENT:

Il faudra impérativement vérifier que le carter de sécurité n'est pas fixé. Par ailleurs, vérifier également qu'il se déplace en douceur. Si la lame de scie reste exposée, il y a risque de blessure.

La protection inférieure (voir Fig. 5) sert à protéger le corps de l'opérateur de tout contact avec la lame de scie. Vérifier impérativement que le carter de sécurité fonctionne de façon que la lame de scie soit toujours couverte. Si la protection inférieure ne bouge pas en douceur, ne pas l'utiliser sans le réparer.

Dans ce cas, contacter le magasin où l'on a acheté la scie circulaire ou un service après-vente HITACHI agréé pour le faire réparer.

- Protection des yeux
Toujours porter des lunettes de protection avec écrans latéraux qui répond aux exigences de la norme ANSI Z87.1. Les lunettes ordinaires ne fournissent pas une protection adéquate.

⚠ AVERTISSEMENT:

Utiliser l'outil sans porter une protection oculaire appropriée peut causer des blessures graves.

- Vérifier si la lame est serrée
Voir [Montage et démontage de la lame de scie] à la page 31, et vérifier si le boulon à bride est bien serré à fond.

RÉGLAGE DE LA SCIE AVANT L'UTILISATION

⚠ AVERTISSEMENT:

Pour éviter tout risque d'accident grave, s'assurer que l'interrupteur est à la position OFF et débrancher la fiche de la prise secteur.

- Réglage de la profondeur de coupe (Fig. 7)

⚠ AVERTISSEMENT:

Si le levier (A) est lâche, il y a risque de blessure. Le serrer à fond après le réglage.

Pour régler la profondeur de coupe, desserrer le levier (A) et, tout en tenant le socle d'une main, déplacer l'outil principal vers le haut ou vers le bas de façon à obtenir la profondeur de coupe spécifiée. Après avoir réglé la profondeur de coupe spécifiée, resserrer le levier (A) à fond.

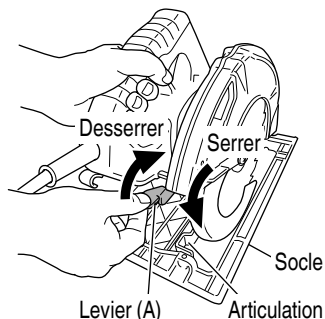


Fig. 7

2. Réglage de l'angle d'inclinaison

⚠ AVERTISSEMENT:

Si le levier (A) est lâche, il y a risque de blessure. Le serrer à fond après le réglage.

Il est possible d'incliner la lame de 0° à un angle maximum de 55° par rapport au socle.

Comme indiqué sur la Fig. 8, en desserrant le levier (A) de l'échelle d'angle de biseau, il est possible d'incliner la lame de scie à un angle de 45° par rapport au socle.

Si un angle d'inclinaison de plus de 45° est utilisé, comme illustré à la Fig. 9, déplacer le levier (A) vers l'extérieur. La lame de scie peut être inclinée à un angle maximal de 55° par rapport au socle. Toujours veiller à bien resserrer le levier (A) après avoir réglé l'angle.

3. Réglage du guide (garde de refente) (Fig. 10, 11)

.....Accessoire en option

Installer le boulon à ailettes (B) et verrouiller le ressort sur le socle. Insérer le guide dans le socle, le déplacer vers la gauche et vers la droite et régler la position de coupe. Serrer le boulon à ailettes (B) et fixer le guide. Il est possible d'installer le guide sur le côté gauche ou sur le côté droit du corps de l'outil.

Levier (A)

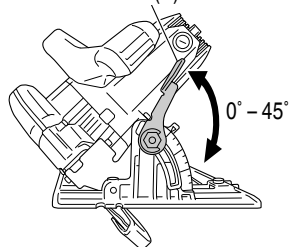


Fig. 8

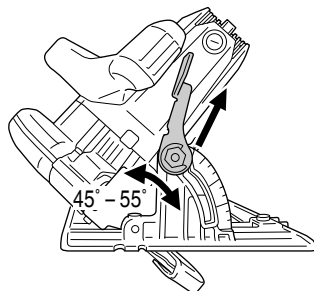


Fig. 9

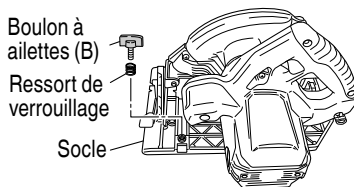


Fig. 10

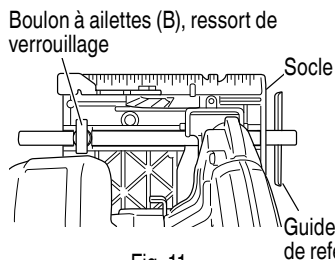


Fig. 11

PROCEDURES DE COUPE

⚠ AVERTISSEMENT:

- Ne jamais toucher les pièces mobiles.
- Si la lame s'arrête ou qu'elle fait un bruit anormal pendant le fonctionnement, couper immédiatement l'interrupteur.
- Ne pas enlever la lame de la pièce pendant la coupe alors que la lame tourne.
- Toujours porter des lunettes de protection avec écrans latéraux qui répond aux exigences de la norme ANSI Z87.1. Les lunettes ordinaires ne fournissent pas une protection adéquate.
- Ne pas scier de matériaux, comme du métal, etc. susceptibles de projeter des étincelles.
- Ne pas utiliser de roues abrasives.
- Utiliser exclusivement des lames de diamètre spécifié sur la plaque signalétique du produit.

⚠ PRECAUTION:

- Toujours veiller à ce que le cordon d'alimentation n'approche pas de la lame de scie en rotation.
- Avant de commencer à scier, s'assurer que la lame de scie a bien atteint sa vitesse de régime.

1. Placer le corps de la scie (socle) sur la pièce à travailler et comme à la Fig. 12, aligner le trait de coupe prévu avec la lame de scie au moyen de l'encoche. Ce rapport entre le socle et le matériau ne devra pas changer quelle que soit l'inclinaison du socle.
2. Mettre l'interrupteur sur la position ON avant que la lame de scie n'entre en contact avec le matériau. L'interrupteur s'allume lorsqu'on tire la gâchette avec le doigt, et il s'éteint lorsqu'on relâche la gâchette.
3. Pour obtenir un rendement de coupe maximal, déplacer la scie en droite ligne et à vitesse constante.

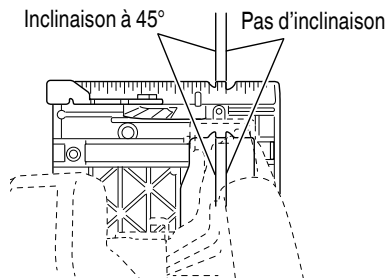


Fig. 12

[COUPE DE Poches]

⚠ AVERTISSEMENT:

- Pour éviter tout risque d'accident grave, s'assurer que l'interrupteur est à la position OFF et débrancher la fiche de la prise secteur avant tout réglage.
- Ne jamais attacher ni caler la protection inférieure en position relevée.

1. Marquer bien lisiblement la section à couper avec des lignes sur tous les côtés. (Voir Fig. 13)
2. Régler la profondeur de coupe en fonction du matériau à couper.
3. Pousser le levier à fond vers l'arrière jusqu'à ce que la lame soit exposée, comme indiqué à la Fig. 13.
4. Incliner la scie vers l'avant et aligner l'encoche (Fig. 12) sur la ligne de guidage pré-marquée.
5. Relâcher le levier. Lorsque la protection inférieure entre en contact avec la surface de la pièce, elle sera dans la bonne position pour s'ouvrir librement lorsqu'on commencera à couper.
6. Tout en tenant la scie dans cette position, et alors que la lame n'est pas en contact avec la surface de la pièce, tirer sur la gâchette.
7. Lorsque la scie a atteint sa vitesse de régime, abaisser progressivement l'extrémité arrière de la scie jusqu'à ce que le socle repose sur la surface de la pièce.

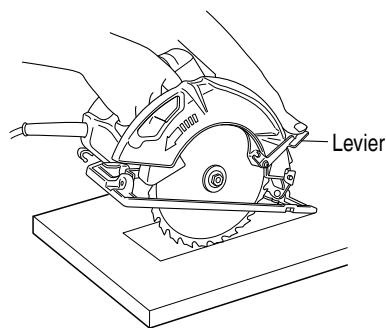


Fig. 13

8. Avancer la scie le long de la ligne de coupe jusqu'au coin.
9. Relâcher la gâchette et attendre que la lame se soit complètement arrêtée avant de retirer la lame de la pièce.
 - En aucun cas on ne tirera la lame vers l'arrière pendant qu'elle tourne, car cela pourrait provoquer un retour de lame.
10. Utiliser une scie sauteuse ou une scie à main pour parfaire la coupe des coins.
11. Chaque fois qu'on commence une nouvelle coupe, recommencer les opérations ci-dessus.

UTILISATION DU PORTE-CORDON

En faisant passer le cordon par le porte-cordon, il peut être réglé pour être tiré latéralement. (Voir Fig. 14)

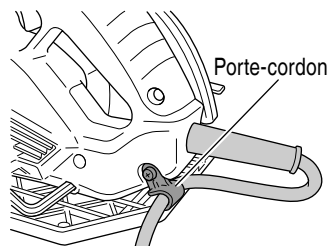


Fig. 14

MONTAGE ET DEMONTAGE DE LA LAME DE SCIE

⚠ AVERTISSEMENT:

Pour éviter tout risque d'accident grave, s'assurer que l'interrupteur est à la position OFF et débrancher la fiche de la prise secteur avant tout réglage.

1. Démontage de la lame
 - (1) Régler le volume de coupe au maximum, et placer la scie circulaire comme indiqué à la Fig. 15.
 - (2) Appuyer sur le levier de verrouillage, verrouiller l'arbre, et retirer le boulon à bride hexagonale et la rondelle (B) à l'aide de la clé hexagonale.
 - (3) Tout en tenant le levier pour maintenir la protection inférieure complètement rentrée dans le carter de lame, retirer la lame de scie. (Fig. 16)

2. Montage de la lame

- (1) Bien retirer toute la sciure qui s'est accumulée sur l'axe, le boulon et les rondelles.
- (2) Pour monter la lame, les côtés concaves des deux rondelles (A) et (B) doivent rentrer dans les côtés de la lame. Monter la lame sur l'axe, puis fixer la rondelle (B). (Voir Fig. 17)
- (3) Pour s'assurer que la lame tourne dans le bon sens, il faut que la flèche de la lame soit dirigée dans le même sens que celle du carter de lame.
- (4) Avec les doigts, serrer le boulon hexagonal qui fixe la lame de scie au maximum. Puis, appuyer sur le levier de verrouillage, verrouiller l'axe et serrer le boulon à fond.
- (5) Vérifier que le levier de verrouillage se trouve sur sa position d'origine.

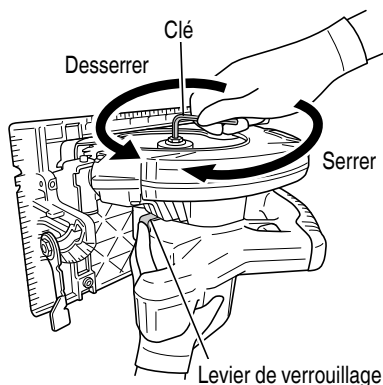


Fig. 15

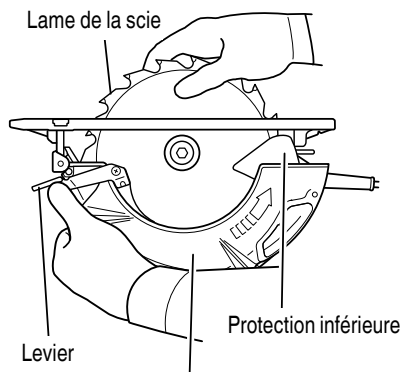


Fig. 16

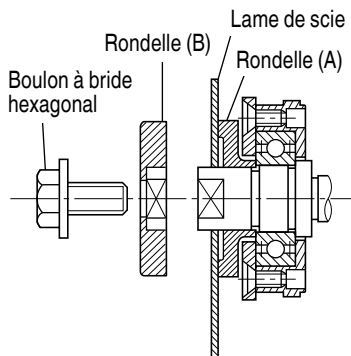


Fig. 17

ENTRETIEN ET INSPECTION

⚠ AVERTISSEMENT:

Pour éviter tout risque d'accident grave, s'assurer que l'interrupteur est à la position OFF et débrancher la fiche de la prise secteur.

1. Inspection de la lame de scie

L'utilisation d'une lame émoussée affectant le rendement et risquant de provoquer un mauvais fonctionnement du moteur, affûter ou remplacer la lame dès que l'on constate une abrasion.

⚠ PRECAUTION:

Avec une lame émoussée, la force de réaction augmente pendant la coupe. Eviter d'utiliser une lame émoussée sans la réparer.

2. Vérifier les vis.

Des vis mal serrées sont dangereuses. Les inspecter régulièrement et vérifier qu'elles sont serrées à fond.

⚠ PRECAUTION:

Il serait extrêmement dangereux d'utiliser cet outil électrique avec des vis mal serrées.

3. Inspection des balais en carbone (Fig. 18)

Le moteur utilise des balais en carbone qui sont des pièces qui s'usent. Remplacer un balai en carbone par un nouveau quand il est usé jusqu'à sa limite d'usure. Toujours garder propres les balais en carbone et s'assurer qu'ils glissent librement à l'intérieur des porte-balais.

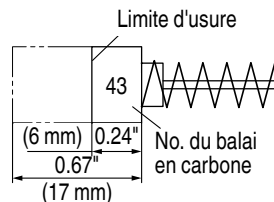


Fig. 18

⚠ PRECAUTION:

Utiliser la scie circulaire avec un balai en carbone qui est usé au-delà de la limite d'usure endommagera le moteur.

REMARQUE:

Utiliser le balai en carbone HITACHI No. 43 indiqué sur la Fig. 18.

4. Remplacement d'un balai en carbone:
Retirer le couvercle du balai avec un tournevis à tête plate. Le balai en carbone peut être alors facilement retiré. (Fig. 19)

5. Vérification de la performance et entretien de la protection inférieure
Conserver la protection inférieure en bon état pour une performance égale en tout temps. Faire immédiatement réparer l'outil en cas de mauvais fonctionnement.

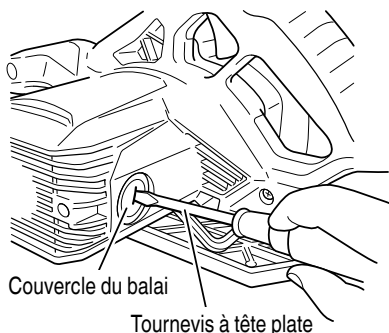


Fig. 19

6. Réglage du socle et de la lame de scie en vue de la perpendicularité
L'angle formé par le socle et la lame de scie a été réglé en usine sur 90°; si cette perpendicularité se trouve perturbée pour une raison ou pour une autre, la régler en procédant comme suit.

- (1) Retourner le socle (Fig. 20) et desserrer le levier (A).
- (2) Placer une équerre entre le socle et la lame de scie et déplacer la position du socle en tournant la vis à six pans creux avec une clé hexagonale de façon à obtenir un angle droit.

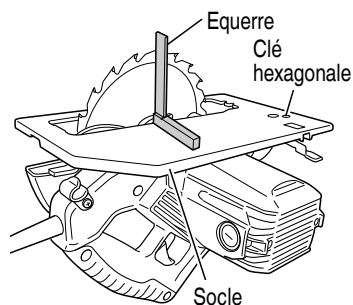


Fig. 20

7. Inspection et entretien de la protection inférieure
Toujours s'assurer que la protection inférieure se déplace en douceur.
En cas de dysfonctionnement, réparer immédiatement la protection inférieure.

Pour le nettoyage et l'entretien, utiliser un pistolet pneumatique ou un autre outil pour souffler de l'air sec sur l'espace entre la protection inférieure et le carter de l'engrenage ainsi que sur la partie tournante de la protection inférieure (Fig. 21).

Ceci se révèle efficace en cas d'émissions de copeaux ou autres particules.

L'accumulation de copeaux ou autres particules autour de la protection inférieure peut provoquer un dysfonctionnement ou des dégâts.

Assurer le déplacement en douceur de la protection inférieure

Partie tournante de la protection inférieure

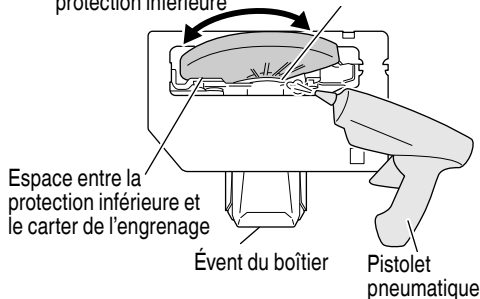


Fig. 21

⚠ AVERTISSEMENT:

Pour éviter une inhalation de poussière ou une irritation oculaire, porter des lunettes de protection et un masque anti-poussière lors de l'utilisation d'un pistolet pneumatique ou d'un autre outil pour nettoyer la protection inférieure, les orifices de ventilation ou d'autres pièces du produit.

8. Liste des pièces de rechange

⚠ PRECAUTION:

Les réparations, modifications et inspections des outils électriques Hitachi doivent être confiées à un service après-vente Hitachi agréé.

Il sera utile de présenter cette liste de pièces au service après-vente Hitachi agréé lorsqu'on apporte un outil nécessitant des réparations ou tout autre entretien.

Lors de l'utilisation et de l'entretien d'un outil électrique, respecter les règlements et les normes de sécurité en vigueur dans le pays en question.

MODIFICATIONS:

Les outils électriques Hitachi sont constamment améliorés et modifiés afin d'incorporer les tous derniers progrès technologiques.

En conséquence, il est possible que certaines pièces soient modifiées sans avis préalable.

ACCESSOIRES

⚠ AVERTISSEMENT:

Les accessoires pour cet outil motorisé sont mentionnés dans ce mode d'emploi.

L'utilisation de toute autre fixation ou accessoire peut être dangereux et causer des blessures ou des dommages mécaniques.

REMARQUE:

Les accessoires sont sujets à changement sans obligation de la part de HITACHI.

ACCESSOIRES STANDARD

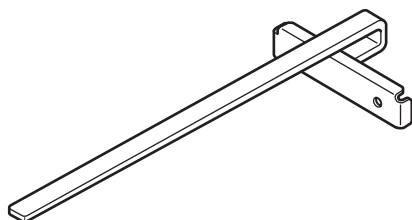
- (1) Lame de la scie 1

Dia. Externe	Dia. d'orifice	No. de code
7-1/4" (184 mm)	5/8" (15.9 mm)	115429

- (2) Clé Hexagonale 6 mm (No. de code 872422) 1

ACCESSOIRES EN OPTION.....vendus séparément

- (1) Guide (No. de code 302691) (Incluye (2) y (3).)
 (2) Boulon-papillon (B) (No. de code 302697)
 (3) Ressort de verrouillage (No. de code 947859)



REMARQUE:

Les spécifications sont sujettes à modification sans aucune obligation de la part de HITACHI.

INFORMACIÓN IMPORTANTE SOBRE SEGURIDAD

Antes de utilizar o de realizar cualquier trabajo de mantenimiento de esta herramienta eléctrica, lea y comprenda todas las precauciones de seguridad, advertencias e instrucciones de funcionamiento de este Manual de instrucciones.

La mayoría de los accidentes producidos en la operación y el mantenimiento de una herramienta eléctrica se deben a la falta de observación de las normas o precauciones de seguridad. Los accidentes normalmente podrán evitarse reconociendo una situación potencialmente peligrosa a tiempo y siguiendo los procedimientos de seguridad apropiados.

Las precauciones básicas de seguridad se describen en la sección "SEGURIDAD" de este Manual de instrucciones y en las secciones que contienen las instrucciones de operación y mantenimiento.

Para evitar lesiones o el daño de la herramienta eléctrica, los riesgos están identificados con ADVERTENCIAS en dicha herramienta y en este Manual de instrucciones.

No utilice **NUNCA** esta herramienta eléctrica de ninguna forma que no esté específicamente recomendada por HITACHI.




SIGNIFICADO DE LAS PALABRAS DE SEÑALIZACIÓN

ADVERTENCIA indica situaciones potencialmente peligrosas que, si se ignoran, pueden resultar en la muerte o en lesiones de gravedad.

PRECAUCIÓN indica situaciones potencialmente peligrosas que, de no evitarse, pueden resultar en lesiones menores o moderadas, o causar daños en la herramienta eléctrica.

NOTA acentúa información esencial.

SIGNIFICADO DE SÍMBOLOS

Símbolos	
⚠ ADVERTENCIA	
A continuación se muestran los símbolos usados para la máquina. Asegúrese de comprender su significado antes del uso.	
	Lea todas las instrucciones y advertencias de seguridad. Si no se siguen las advertencias e instrucciones, podría producirse una descarga eléctrica, un incendio y/o daños graves.
	Utilice siempre una protección ocular.
	Utilice siempre una protección ocular.

SEGURIDAD

ADVERTENCIAS DE SEGURIDAD GENERAL DE LA HERRAMIENTA ELÉCTRICA

⚠ ADVERTENCIA:

Lea todas las instrucciones y todas las advertencias de seguridad.

Si no se siguen las advertencias e instrucciones, podría producirse una descarga eléctrica, un incendio y/o daños graves.

Guarde todas las advertencias e instrucciones para futura referencia.

El término "herramienta eléctrica" en las advertencias hace referencia a la herramienta eléctrica que funciona con la red de suministro (con cable) o a la herramienta eléctrica que funciona con pilas (sin cable).

- 1) **Seguridad en el área de trabajo**
 - a) **Mantenga la zona de trabajo limpia y bien iluminada.**

Las zonas desordenadas o oscuras pueden provocar accidentes.

- b) **No utilice las herramientas eléctricas en entornos explosivos como, por ejemplo, en presencia de líquidos inflamables, gases o polvo.**
Las herramientas eléctricas crean chispas que pueden hacer que el polvo desprenda humo.
- c) **Mantenga a los niños y transeúntes alejados cuando utilice una herramienta eléctrica.**
Las distracciones pueden hacer que pierda el control.
- 2) **Seguridad eléctrica**
- a) **Los enchufes de las herramientas eléctricas tienen que ser adecuados a la toma de corriente.**
No modifique el enchufe.
No utilice enchufes adaptadores con herramientas eléctricas conectadas a tierra.
Si no se modifican los enchufes y se utilizan tomas de corriente adecuadas se reducirá el riesgo de descarga eléctrica.
- b) **Evite el contacto corporal con superficies conectadas a tierra como tuberías, radiadores y frigoríficos.**
Hay mayor riesgo de descarga eléctrica si su cuerpo está en contacto con el suelo.
- c) **No exponga las herramientas eléctricas a la lluvia o a la humedad.**
La entrada de agua en una herramienta eléctrica aumentará el riesgo de descarga eléctrica.
- d) **No utilice el cable incorrectamente. No utilice el cable para transportar, tirar de la herramienta eléctrica o desenchufarla.**
Mantenga el cable alejado del calor, del aceite, de bordes afilados o piezas móviles.
Los cables dañados o enredados aumentan el riesgo de descarga eléctrica.
- e) **Cuando utilice una herramienta eléctrica al aire libre, utilice un cable prolongador adecuado para utilizarse al aire libre.**
La utilización de un cable adecuado para usarse al aire libre reduce el riesgo de descarga eléctrica.
- f) **Si no se puede evitar el uso de una herramienta eléctrica en un lugar húmedo, utilice un suministro protegido mediante un dispositivo de corriente residual (RCD).**
El uso de un RCD reduce el riesgo de descarga eléctrica.
- 3) **Seguridad personal**
- a) **Esté atento, preste atención a lo que hace y utilice el sentido común cuando utilice una herramienta eléctrica.**
No utilice una herramienta eléctrica cuando esté cansado o esté bajo la influencia de drogas, alcohol o medicación.
- La distracción momentánea cuando utiliza herramientas eléctricas puede dar lugar a importantes daños personales.
- b) **Utilice un equipo de protección. Utilice siempre una protección ocular.**
El equipo de protección como máscara para el polvo, zapatos de seguridad antideslizantes, casco o protección para oídos utilizado para condiciones adecuadas reducirá los daños personales.
- c) **Evite un inicio involuntario. Asegúrese de que el interruptor está en "off" antes de conectar la herramienta a una fuente de alimentación y/o batería, cogerla o transportarla.**
El transporte de herramientas eléctricas con el dedo en el interruptor o el encendido de herramientas eléctricas con el interruptor encendido puede provocar accidentes.
- d) **Retire las llaves de ajuste antes de encender la herramienta eléctrica.**
Si se deja una llave en una pieza giratoria de la herramienta eléctrica podrían producirse daños personales.
- e) **No se extralimite. Mantenga un equilibrio adecuado en todo momento.**
Esto permite un mayor control de la herramienta eléctrica en situaciones inesperadas.
- f) **Vístase adecuadamente. No lleve prendas sueltas o joyas. Mantenga el pelo, la ropa y los guantes alejados de las piezas móviles.**
La ropa suelta, las joyas y el pelo largo pueden pillarse en las piezas móviles.
- g) **Si se proporcionan dispositivos para la conexión de extracción de polvo e instalaciones de recogida, asegúrese de que están conectados y se utilizan adecuadamente.**
La utilización de un sistema de recogida de polvo puede reducir los riesgos relacionados con el polvo.
- 4) **Utilización y mantenimiento de las herramientas eléctricas**
- a) **No fuerce la herramienta eléctrica. Utilice la herramienta eléctrica correcta para su aplicación.**
La herramienta eléctrica correcta trabajará mejor y de forma más segura si se utiliza a la velocidad para la que fue diseñada.
- b) **No utilice la herramienta eléctrica si el interruptor no la enciende y apaga.**
Las herramientas eléctricas que no pueden controlarse con el interruptor son peligrosas y deben repararse.

- c) **Antes de hacer ajustes, cambiar accesorios o almacenar las herramientas eléctricas, desconecte el enchufe de la fuente eléctrica y/o las baterías de la herramienta.**
Estas medidas de seguridad preventivas reducen el riesgo de que la herramienta eléctrica se ponga en marcha accidentalmente.
- d) **Guarde las herramientas eléctricas que no se utilicen para que no las cojan los niños y no permita que utilicen las herramientas eléctricas personas no familiarizadas con las mismas o con estas instrucciones.**
Las herramientas eléctricas son peligrosas si son utilizadas por usuarios sin formación.
- e) **Mantenimiento de las herramientas eléctricas. Compruebe si las piezas móviles están mal alineadas o unidas, si hay alguna pieza rota u otra condición que pudiera afectar al funcionamiento de las herramientas eléctricas.**
Si la herramienta eléctrica está dañada, llévela a reparar antes de utilizarla.
Se producen muchos accidentes por no realizar un mantenimiento correcto de las herramientas eléctricas.
- f) **Mantenga las herramientas de corte afiladas y limpias.**
Las herramientas de corte correctamente mantenidas con los bordes de corte afilados son más fáciles de controlar.
- g) **Utilice la herramienta eléctrica, los accesorios y las brocas de la herramienta, etc. de acuerdo con estas instrucciones, teniendo en cuenta las condiciones laborales y el trabajo que se va a realizar.**
La utilización de la herramienta eléctrica para operaciones diferentes a pretendidas podría dar lugar a una situación peligrosa.
- 5) **Revisión**
- a) **Lleve su herramienta a que la revise un experto cualificado que utilice sólo piezas de repuesto idénticas.**
Esto garantizará el mantenimiento de la seguridad de la herramienta eléctrica.

ADVERTENCIAS DE SEGURIDAD DE LA SIERRA CIRCULAR

Procedimientos de corte

- a) **⚠ PELIGRO: Mantenga las manos alejadas del área de corte y de la hoja. Mantenga la otra mano en el mango auxiliar o en la cubierta del motor.**
Si sujeta la sierra con las dos manos, no se cortará con la hoja.
- b) **No se coloque debajo de la pieza de trabajo.**

El protector no puede protegerle de la hoja debajo de la pieza de trabajo.

- c) **Ajuste la profundidad de corte al grosor de la pieza de trabajo.**
Debajo de la pieza de trabajo sólo debe quedar visible menos de un diente completo de la hoja.
- d) **No sujete nunca la pieza que está cortando con las manos o sobre una pierna. Fije la pieza de trabajo a una plataforma estable.**
Es importante que apoye la pieza de trabajo de forma adecuada para evitar que su cuerpo quede expuesto a la sierra, que la hoja se quede atascada o que se pierda el control.
- e) **Sostenga la herramienta eléctrica únicamente por las superficies de agarre aisladas cuando realice una operación en la que la herramienta eléctrica pueda entrar en contacto con el cableado oculto o su propio cable de alimentación.**
Entrar en contacto con un cable "vivo" también provocará que las partes metálicas expuestas de la herramienta eléctrica estén "vivas" y podría originar una descarga eléctrica al operario.
- f) **Cuando realice un corte al hilo, utilice siempre un tope-guía o una guía de borde recto.**
Esto mejorará la precisión del corte y reducirá las posibilidades de que se atasque la hoja.
- g) **Utilice siempre hojas con orificios de árbol con el tamaño y la forma correctos (rombo frente a círculo).**
Las hojas que no coincidan con los componentes de montaje de la sierra no funcionarán correctamente y pueden provocar una pérdida de control.
- h) **No utilice nunca arandelas o pernos de hoja dañados o inadecuados.**
Las arandelas y los pernos de la hoja han sido diseñados especialmente para dicha hoja, con el fin de garantizar un rendimiento y seguridad óptimos.

Causas de rebote y advertencias afines

- el retroceso es una reacción repentina de la sierra cuando la hoja se engancha, se atasca o está mal alineada, lo cual provoca la pérdida de control de la sierra, que se elevará y se saldrá de la pieza de trabajo hacia el operador;
- cuando la hoja se engancha o se atasca por el cierre de la vía, la hoja se detiene y la reacción del motor hace que la unidad retroceda rápidamente hacia el operador;
- si la hoja se tuerce o pierde la alineación durante el corte, los dientes del borde posterior de la hoja pueden clavarse en la superficie superior de la madera y hacer que la hoja se salga de la vía y vuelva hacia el operador.

El retroceso es el resultado de un mal uso de la sierra y/o unos procedimientos o condiciones de funcionamiento incorrectos y se puede evitar tomando las precauciones adecuadas que se indican a continuación.

- a) **Sujete la sierra firmemente con las dos manos y coloque los brazos de tal forma que resistan las fuerzas de retroceso. Coloque el cuerpo a uno de los lados de la hoja, no en línea con ésta.**

El retroceso podría hacer que la sierra salte hacia atrás, pero las fuerzas de retroceso pueden ser controladas por el operador, si se toman las precauciones adecuadas.

- b) **Cuando se atasca la hoja o se interrumpe el corte por cualquier razón, libere el interruptor de activación y mantenga la sierra sin moverla en el material hasta que ésta se detenga por completo.**

No intente extraer la sierra de la pieza de trabajo ni tire de ella hacia atrás mientras la hoja está en movimiento, ya que puede producirse un retroceso.

Investigue y tome las medidas adecuadas para eliminar la causa del atascamiento de la hoja.

- c) **Cuando vuelva a poner en marcha la sierra en la pieza de trabajo, centre la hoja de la sierra en la vía y compruebe que los dientes no están enganchados en el material.**

Si la hoja de la sierra está atascada, ésta puede saltar o retroceder de la pieza de trabajo al poner en marcha la sierra.

- d) **Utilice soportes adecuados para apoyar los paneles grandes, con el fin de minimizar el riesgo de que la hoja se enganche o se produzca un retroceso.**

Los paneles grandes tienden a combarse por su propio peso. Se deben colocar soportes bajo el panel en ambos lados, cerca de la línea de corte y cerca del borde del panel.

- e) **No utilice hojas melladas o dañadas.**

Las hojas no afiladas o mal ajustadas hacen que una vía estrecha provoque una fricción excesiva, que se atasque la hoja y que se produzca un retroceso.

- f) **La profundidad de la hoja y las palancas de bloqueo del ajuste del bisel deben estar bien fijadas antes de realizar el corte.**

Si el ajuste de la hoja cambia durante el corte, se puede producir un atasco de la hoja o un retroceso.

- g) **Emplee una precaución extrema al serrar en muros existentes u otros puntos ciegos.**

La hoja que sobresale puede cortar objetos y provocar un retroceso.

Función de la protección inferior

- a) **Compruebe que el protector inferior se cierra correctamente antes de cada uso. No utilice la sierra si el protector inferior no se mueve libremente o se cierra de forma instantánea. No sujete ni ate el protector inferior en la posición de apertura.**

Si la sierra se cae de forma accidental, el protector inferior se puede doblar.

Levante el protector inferior con el mango retráctil y asegúrese de que se mueve libremente y no toca la hoja ni ninguna otra pieza, en todos los ángulos y profundidades de corte.

- b) **Compruebe el funcionamiento del resorte del protector inferior. Si el protector y el resorte no funcionan correctamente, deben ser reparados antes de usar la sierra.**

El protector inferior puede funcionar lentamente porque hay alguna pieza dañada, hay restos de pegamento o existe una acumulación de residuos.

- c) **La protección inferior puede replegarse manualmente sólo para cortes especiales tales como “cortes por penetración” y “cortes compuestos”.**

Levante el protector inferior retrayendo el mango y libere el protector inferior en cuanto la hoja entre en contacto con el material.

Para el resto de cortes, el protector debería funcionar automáticamente.

- d) **Compruebe siempre que el protector inferior cubre la hoja antes de colocar la sierra sobre un banco o sobre el suelo.**

El deslizamiento de la hoja sin protección puede hacer que la sierra se desplace hacia atrás y corte lo que encuentre a su paso.

Tenga en cuenta el tiempo que tarda la hoja en detenerse después de accionar el interruptor.

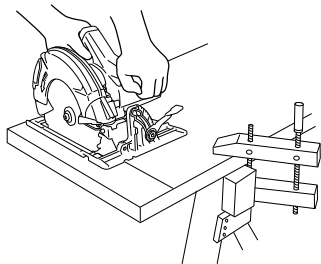
NORMAS Y SÍMBOLOS ESPECÍFICOS DE SEGURIDAD

- Ajustes.** Antes de ajustar, asegúrese de que los ajustes de profundidad y biselado estén bien hechos.
- Evite cortar clavos.** Antes de cortar, inspeccione la pieza de trabajo y quite todos los clavos que ésta pueda tener.
- Cuando opere la sierra, mantenga el cordón alejado del área de corte, y posicione de manera que no quede atrapado en la pieza de trabajo durante la operación de corte.**

Trabaje con un soporte de mano apropiado, un soporte de pieza de trabajo apropiado, y procure encaminar el cordón de manera que quede alejado del área de trabajo.

ADVERTENCIA:

Es importante apoyar correctamente la pieza que vaya a ser cortada y sujetar firmemente la sierra para impedir perder su control y evitar lesiones graves. La Figura 1 muestra la sujeción típica de la sierra.



UNA ILUSTRACIÓN TÍPICA DE LA SUJECIÓN DE LA SIERRA, APOYO DE LA PIEZA DE TRABAJO Y COLOCACIÓN DEL CABLE DE ALIMENTACIÓN.

Fig. 1

- Coloque la parte más ancha de la base de la sierra sobre la parte de la pieza de trabajo que está firmemente soportada, y no sobre la sección que cae al finalizar el corte.

Como ejemplos, en la Figura 2 se muestra la manera CORRECTA de cortar el extremo de una tabla, y en la Fig. 3, la manera INCORRECTA. Si la pieza de trabajo es demasiado corta o pequeña, fíjela.

¡NO INTENTE SUJETAR PARTES CORTAS CON LA MANO!

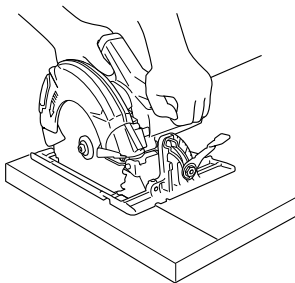


Fig. 2

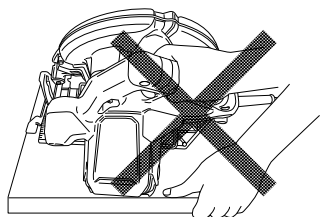


Fig. 3

- No intente nunca cortar colocando la sierra circular de manera invertida sobre un banco de trabajo.

Esto es sumamente peligroso y puede producir accidentes de gravedad. (Fig.4)

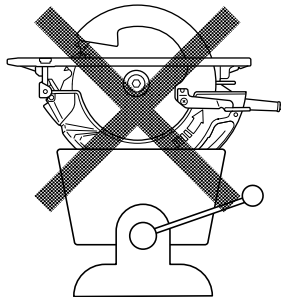


Fig. 4

- Antes de bajar la herramienta después de finalizar un corte, asegúrese de que el protector inferior (telescopizante) se haya cerrado y que la hoja esté completamente detenida.

- No toque nunca las piezas móviles.

No coloque nunca sus manos, dedos, ni demás partes del cuerpo cerca de las piezas móviles de la herramienta.

- No utilice nunca la herramienta sin los protectores colocados en su lugar.

No utilice nunca esta herramienta sin los protectores de seguridad correctamente instalados. Si el trabajo de mantenimiento o de reparación requiere el desmontaje de un protector de seguridad, cerciórese de volver a instalarlo antes de utilizar la herramienta.

- Utilice la herramienta correcta.

No fuerce herramientas ni accesorios pequeños para realizar un trabajo pesado.

No utilice las herramientas para fines no proyectados, por ejemplo, no utilice una sierra circular para cortar ramas o lenos.

- No utilice nunca una herramienta eléctrica para aplicaciones que no sean las especificadas.

No utilice nunca una herramienta eléctrica para aplicaciones no especificadas en este Manual de instrucciones.

- Maneje correctamente la herramienta.

Maneje la herramienta de acuerdo con las instrucciones ofrecidas aquí. No deje caer ni tire la herramienta. No permita nunca que los niños ni otras personas no autorizadas ni familiarizadas con la operación de la herramienta utilicen ésta.

12. Mantenga limpio el conducto de ventilación del motor.

El conducto de ventilación del motor limpio para que el aire pueda circular libremente en todo momento. Compruebe frecuentemente y limpie el polvo acumulado.

13. Utilice las herramientas eléctricas con la tensión de alimentación nominal.

Utilice las herramientas eléctricas con las tensiones indicadas en sus placas de características.

La utilización e una herramienta eléctrica con una tensión superior a la nominal podría resultar en revoluciones anormalmente altas del motor, en el daño de la herramienta, y en la quemadura del motor.

14. No haga funcionar la sierra mientras la lleve hacia su lado.**15. Mantenga todos los tornillos, pernos, y cubiertas firmemente fijados en su lugar.**

Mantenga todos los tornillos, pernos, y cubiertas firmemente montados. Compruebe periódicamente su condición.

16. No utilice herramientas eléctricas si la carcasa o la empuñadura de plástico está rajada.

Las rajaduras en la carcasa o en la empuñadura de plástico pueden conducir a descargas eléctricas. Tales herramientas no deberán utilizarse mientras no se hayan reparado.

17. Las cuchillas y los accesorios deberán montarse con seguridad en la herramienta.

Evite lesiones personales y de otras personas. Las cuchillas, los accesorios de corte, y demás accesorios montados en la herramienta deberán fijarse con seguridad.

18. No utilice nunca una herramienta defectuosa o que funcione anormalmente.

Si la herramienta parece que funciona anormalmente, produciendo ruidos extraños, etc., deje inmediatamente de utilizarla y solicite su arreglo a un centro de servicio autorizado por Hitachi.

19. Maneje con cuidado las herramientas eléctricas.

Si una herramienta eléctrica se ha caído o ha chocado inadvertidamente contra materiales duros, es posible que se haya deformado, rajado, o dañado.

20. No limpie las partes de plástico con disolvente.

Los disolventes, como gasolina, diluidor de pintura, bencina, tetracloruro de carbono, y alcohol pueden dañar o rajar las partes de plástico. No las limpie con tales disolventes.

Limpie las partes de plástico con un paño suave ligeramente humedecido en agua jabonosa y después séquelas bien.


21. No utilice NUNCA guantes de un material que pueda enrollarse, como algodón, lana, tela o cordel, etc.**22. Definiciones para las magnitudes utilizadas en esta herramienta**

V tensión eléctrica

Hz hertzios

A amperios

No velocidad sin carga

 Construcción de clase II

--/min revoluciones por minuto

 corriente alterna o directa

 AISLAMIENTO DOBLE PARA OFRECER UNA OPERACIÓN MÁS SEGURA

Para garantizar una operación más segura de esta herramienta eléctrica, HITACHI ha adoptado un diseño de aislamiento doble. "Aislamiento doble" significa que se han utilizado dos sistemas de aislamiento físicamente separados para aislar los materiales eléctricamente conductores conectados a la fuente de alimentación del bastidor exterior manejado por el operador. Por lo tanto, en la herramienta eléctrica o en su placa de características aparecen el símbolo "" o las palabras "Double insulation" (aislamiento doble).

Aunque este sistema no posee puesta a tierra externa, usted deberá seguir las precauciones sobre seguridad eléctrica ofrecidas en este Manual de instrucciones, incluyendo la no utilización de la herramienta eléctrica en ambientes húmedos.

Para mantener efectivo el sistema de aislamiento doble, tenga en cuenta las precauciones siguientes:

- Esta herramienta eléctrica solamente deberá desensamblar y ensamblarla un CENTRO DE REPARACIONES AUTORIZADO POR HITACHI, y solamente deberán utilizarse con ella piezas de reemplazo genuinas de HITACHI.
- Limpie el exterior de la herramienta eléctrica solamente con un paño suave humedecido en agua jabonosa, y después séquela bien. No utilice disolventes, gasolina, ni diluidor de pintura para limpiar las partes de plástico, ya que podría disolverlas.

**¡GUARDE ESTAS INSTRUCCIONES
Y
PÓNGALAS A DISPOSICIÓN DE OTROS
USUARIOS
Y
PROPIETARIOS DE ESTA HERRAMIENTA!**

DESCRIPCIÓN FUNCIONAL

NOTA:

La información contenida en este Manual de instrucciones ha sido diseñada para ayudarle a utilizar con seguridad y mantener esta herramienta eléctrica.

NUNCA haga funcionar ni efectúe el mantenimiento de la herramienta antes de leer y comprender todas las instrucciones de seguridad contenidas en este manual.

Algunas ilustraciones de este Manual de Instrucciones pueden mostrar detalles o accesorios diferentes a los de la propia herramienta eléctrica.

NOMENCLATURA

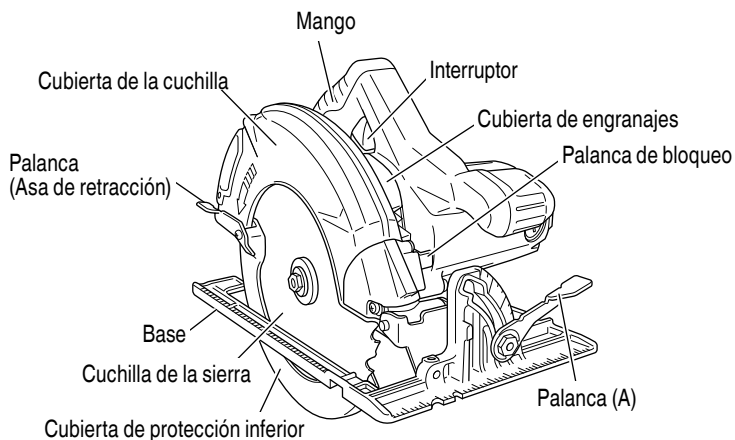


Fig. 5

ESPECIFICACIONES

Motor	Motor conmutador en serie monofásico
Fuente de alimentación	120 V c.a., 60 Hz, monofásica, 120 V c.d.
Profundidad máx. de corte	2-7/16" (62 mm)
Corriente	15 A
Velocidad de marcha en vacío	6000/min.
Peso	9.5 lbs (4.3 kg)

MONTAJE Y OPERACIÓN

APLICACIONES

- La herramienta está diseñada para aplicaciones de corte de madera.

⚠ ADVERTENCIA:

Tenga especial precaución cuando corte madera verde recién cortada, madera dura, madera húmeda, madera compuesta, madera tratada a presión, madera que contenga nudos y toda otra madera que pueda someter la sierra o la hoja a una carga elevada. Si esto ocurre, no fuerce la herramienta. Empuje la herramienta más lentamente pero con fuerza suficiente para seguir trabajando sin que la velocidad disminuya demasiado.

ANTES DE LA OPERACIÓN

1. Fuente de alimentación
Cerciórese de que la fuente de alimentación que vaya a utilizar cumpla los requisitos indicados en la placa de características del producto.
2. Interruptor de alimentación
Cerciórese de que el interruptor de alimentación esté en la posición OFF. Si enchufase el cable de alimentación en un tomacorriente de la red con el interruptor en ON, la herramienta eléctrica comenzaría a funcionar inmediatamente, lo que podría provocar lesiones serias.
3. Cable prolongador
Cuando el área de trabajo esté alejada de la fuente de alimentación, utilice un cable prolongador de suficiente grosor y con la capacidad nominal. El cable prolongador deberá mantenerse lo más corto posible.

⚠ ADVERTENCIA:

Si un cable esta dañado deberá reemplazar o repararse.

4. Comprobación del tomacorriente
Si el enchufe del cable de alimentación queda flojo en el tomacorriente, habrá que reparar éste. Póngase en contacto con un electricista cualificado para que realice las reparaciones adecuadas.
Si utilizase un tomacorriente en este estado, podría producirse recalentamiento, lo que supondría un riesgo serio.
5. Confirme las condiciones del medio ambiente.
Condirme que el lugar de trabajo esté en las condiciones apropiadas de acuerdo con las precauciones descritas.
6. Prepare un banco de trabajo de madera (Fig. 6).
Como la cuchilla de la sierra sobresaldrá de la superficie inferior de la madera de trabajo, coloque ésta sobre un banco de trabajo para cortarla. Si, como banco de trabajo, utiliza un madero cuadrangular, tenga en cuenta el nivel del suelo para asegurar que quede adecuadamente estabilizado.
Un banco de trabajo inestable resultaría en una operación peligrosa.

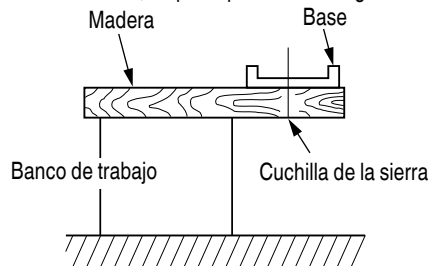


Fig. 6

⚠ PRECAUCIÓN:

Para evitar accidentes, asegúrese siempre de que la parte de la pieza de trabajo que queda después del corte esté firmemente fijada.

7. Verifique que la palanca (A) se encuentre apretada.
La flojedad de la palanca (A) para ajustar la profundidad de corte (Fig. 7) y de la palanca (A) para ajustar el ángulo de inclinación (Fig. 8) puede producir lesiones. Asegúrese de que se encuentren firmemente apretadas.
8. Compruebe el rendimiento del protector inferior.

⚠ ADVERTENCIA:

Cerciérese de que la cubierta protectora no esté trabada. Además, compruebe si se mueve suavemente. Si la cuchilla de la sierra estuviese expuesta, podrían producirse lesiones.

La cubierta de protección inferior (consulte la Fig. 5) sirve para evitar que su cuerpo entre en contacto con la cuchilla de la sierra. Ceriéndose de que la cubierta protectora funcione correctamente para cubrir la cuchilla de la sierra. Si el protector inferior no se mueve con facilidad, no lo utilice sin repararlo.

Cuando necesite repararla, póngase en contacto con el establecimiento en el que haya adquirido la sierra circular o con un centro de servicio autorizado por HITACHI.

9. Protección ocular
Utilice siempre protección ocular con protectores laterales que cumpla los requerimientos del estándar ANSI Z87.1. Las gafas ordinarias no brindan la protección adecuada.

⚠ ADVERTENCIA:

Operar la herramienta sin la protección ocular adecuada puede resultar en lesiones graves.

10. Verifique que la cuchilla de la sierra esté apretada
Consulte [Montaje y desmontaje de la cuchilla de la sierra] en la página 48, y asegúrese de que el perno de brida esté firmemente apretado.

AJUSTE DE LA SIERRA ANTES DE UTILIZARLA

⚠ ADVERTENCIA:

Para evitar accidentes de gravedad, asegúrese de que el interruptor esté en la posición OFF, y desconecte el enchufe del tomacorriente.

1. Ajuste de la profundidad de corte (Fig. 7)

⚠ ADVERTENCIA:

Si la palanca (A) estuviese floja, se podrían producir lesiones. Apriétela firmemente después del ajuste.

Para ajustar la profundidad de corte, afloje la palanca (A) y, mientras sujeta la base con una mano, mueva el cuerpo principal hacia arriba y abajo para obtener la profundidad de corte prescrita. Después de ajustar a la profundidad de corte prescrita, apriete firmemente la palanca (A).

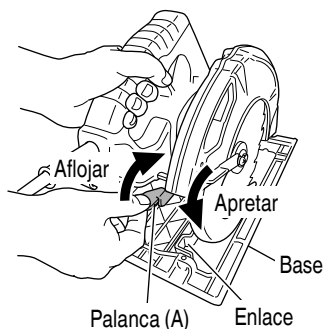


Fig. 7

2. Ajuste del ángulo de inclinación

⚠ ADVERTENCIA:

Si la palanca (A) estuviese floja, se podrían producir lesiones. Apriétela firmemente después del ajuste.

La cuchilla de la sierra se puede inclinar desde 0° hasta un ángulo máximo de 55° con respecto a la base.

Tal como se muestra en la Fig. 8, aflojando la palanca (A) de la escala de bisel, es posible inclinar la cuchilla de la sierra hasta un ángulo de 45° con respecto a la base.

Si utiliza un ángulo de inclinación superior a 45°, como se muestra en la Fig. 9, mueva la palanca (A) hacia la parte exterior, la cuchilla de la sierra puede inclinarse para formar un ángulo máximo de 55° con relación a la base.

Después de realizar el ajuste deseado, siempre asegúrese de comprobar que la palanca (A) se encuentre completamente apretada.

3. Regulación de la guía (Guía de corte) (Fig. 10, 11)

.....Accesorio opcional

Instale el perno de aletas (B) y el resorte de seguridad sobre la base. Inserte la guía en la base, muévela hacia la izquierda y la derecha y ajuste la posición de corte. Apriete el perno de aletas (B) y fije la guía. La guía puede ser instalada desde ambos lados, izquierdo y derecho del cuerpo principal.

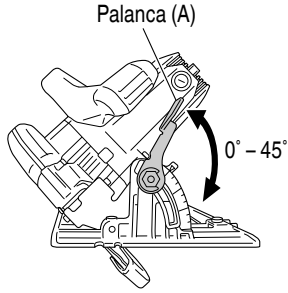


Fig. 8

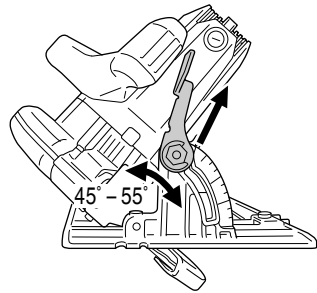


Fig. 9

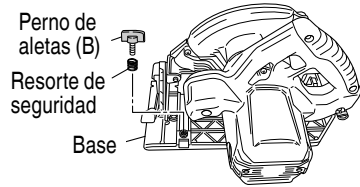


Fig. 10

Perno de aletas (B), Resorte de seguridad

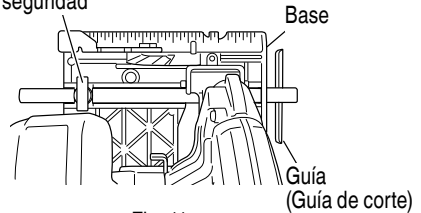


Fig. 11

PROCEDIMIENTOS DE CORTE

⚠️ ADVERTENCIA:

- No toque nunca las partes móviles.
- Si la cuchilla de la sierra se para o produce un ruido anormal durante la operación, ponga inmediatamente el interruptor en OFF.
- No extraiga la sierra de la pieza de trabajo durante la operación de corte mientras la cuchilla de la sierra esté girando.
- Utilice siempre protección ocular con protectores laterales que cumpla los requerimientos del estándar ANSI Z87.1. Las gafas ordinarias no brindan la protección adecuada.
- Evite cortar materiales como metal, etc., que puedan producir chispas.
- No utilice ninguna rueda abrasiva.
- Utilice únicamente diámetro de cuchillas especificado en la placa de identificación del producto.

⚠️ PRECAUCIÓN:

- Tenga siempre cuidado para impedir que el cable de alimentación se acerque a la cuchilla de la sierra mientras ésta está girando.
 - Antes de poner en funcionamiento la sierra, asegúrese de que su cuchilla haya alcanzado la velocidad de giro máxima.
1. Coloque el cuerpo de la sierra (la base) en la pieza de trabajo y, como se muestra en la Fig. 12, alinee la línea de corte prevista con la cuchilla de la sierra utilizando la ranura. Esta relación entre base y madera deberá permanecer inalterada independientemente de la inclinación de la base.
 2. El interruptor deberá ponerse en la posición ON antes de que la cuchilla de la sierra entre en contacto con la madera. El interruptor se pone en ON cuando se aprieta el gatillo con un dedo, y se pone en OFF cuando se suelta el gatillo.
 3. El mejor corte se logrará moviendo la sierra en línea recta y a una velocidad constante.

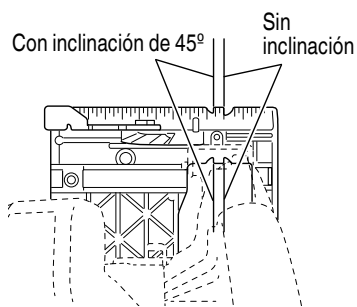


Fig. 12

[CORTE DE INTERIORES]

⚠️ ADVERTENCIA:

- Para evitar accidentes de gravedad, asegúrese de que el interruptor esté en la posición OFF, y extraiga el enchufe del tomacorriente antes de realizar cualquier ajuste.
- Nunca ate ni acuñe la cubierta de protección inferior en posición elevada.

1. Marque claramente el área de corte deseada con líneas en todos los lados. (Consulte la Fig. 13.)
2. Ajuste la profundidad según el material que vaya a cortar.
3. Empuje la palanca completamente hacia atrás para que la cuchilla quede expuesta como se muestra en la Fig. 13.
4. Inclíne la sierra hacia adelante y alinee la ranura (Fig. 12) con la línea guía premarcada.

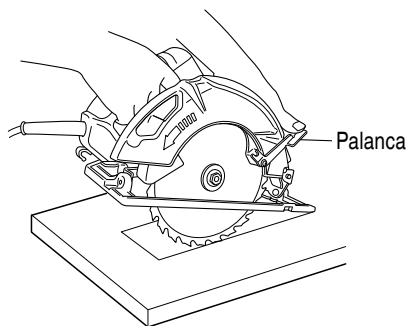


Fig. 13

- Suelte la palanca. Cuando la cubierta de protección inferior entre en contacto con la superficie de la pieza de trabajo, ésta estará en la posición apropiada para abrirse libremente cuando comience el corte.
- Sujetando la sierra en posición, con la cuchilla sin contactar la superficie de la pieza de trabajo, apriete el gatillo.
- Tras alcanzar la sierra la máxima velocidad, baje poco a poco la parte trasera de la sierra hasta que su base se apoye en la superficie de trabajo.
- Avance la sierra a lo largo de la línea de corte hasta llegar a la esquina.
- Suelte el gatillo y deje que la cuchilla se pare completamente antes de retirar la cuchilla de la pieza de trabajo.
- Nunca, bajo ninguna circunstancia, tire de la sierra hacia atrás mientras se mueva la cuchilla, porque podrá producirse contragolpe.
- Utilice una sierra de vaivén o una sierra manual para cortar las esquinas.
- Cuando empiece cada corte nuevo, repita el procedimiento de arriba.

UTILIZACIÓN DEL SOPORTE DE CABLE

Al pasar el cable por el soporte de cable, el cable puede ser establecido en dirección lateral. (Refiérase a la Fig. 14)

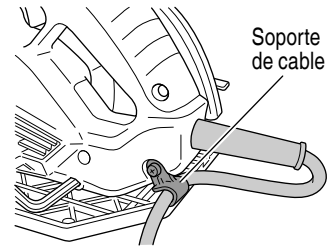


Fig. 14

MONTAJE Y DESMONTAJE DE LA CUCHILLA DE LA SIERRA

⚠ ADVERTENCIA:

Para evitar accidentes de gravedad, asegúrese de que el interruptor esté en la posición OFF, y extraiga el enchufe del tomacorriente antes de realizar cualquier ajuste.

- Desmontaje de la cuchilla de la sierra
 - Ajuste el volumen de corte al máximo, y coloque la sierra circular como se muestra en la Fig.15.
 - Presione la palanca de bloqueo, bloquee el husillo y quite el perno de brida hexagonal y la arandela (B) con la llave de barra hexagonal.
 - Mientras sujeta la palanca para mantener la cubierta de protección inferior completamente retractada dentro de la cubierta de la cuchilla, retire la cuchilla de la sierra. (Fig.16)
- Montaje de la cuchilla de la sierra
 - Quite completamente las virutas que se hayan acumulado en el husillo, perno y arandela.
 - Para montar la cuchilla de la sierra, los lados cóncavos de ambas arandelas, (A) y (B), deberán colocarse en los lados de la cuchilla de la sierra. Monte la cuchilla de la sierra en el husillo y fije finalmente la arandela (B) (consulte la Fig. 17).
 - Para asegurar una dirección de giro apropiada de la cuchilla de sierra, la dirección de la flecha de la cuchilla de la sierra deberá coincidir con la dirección de la flecha de la cubierta de la cuchilla.

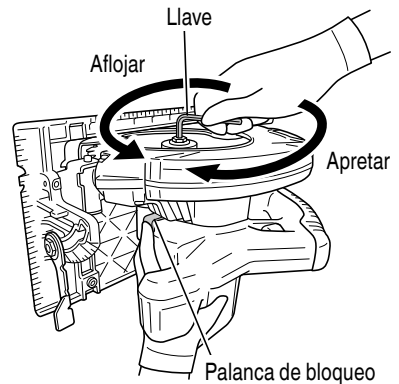


Fig. 15

- (4) Utilizando los dedos, apriete todo lo posible el perno hexagonal que retiene la cuchilla de la sierra. Y luego presione la palanca de bloqueo, bloquee el husillo y apriete a fondo el perno.
- (5) Confirme que la palanca de bloqueo esté en la posición original.

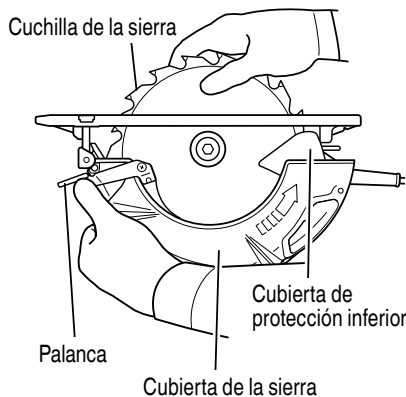


Fig. 16

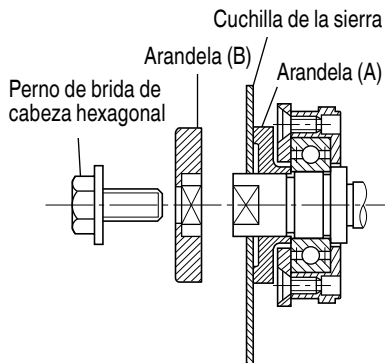


Fig. 17

MANTENIMIENTO E INSPECCIÓN

⚠ ADVERTENCIA:

Para evitar accidentes de gravedad, asegúrese de que el interruptor esté en la posición OFF, y extraiga el enchufe del tomacorriente.

1. Inspección de la cuchilla de la sierra
Como la utilización de una cuchilla de la sierra mellada degradaría la eficacia y podría causar el mal funcionamiento del motor, afile o reemplácela en cuanto note su abrasión.

⚠ PRECAUCIÓN:

Si utiliza una cuchilla de la sierra mellada, la fuerza reactiva aumentará durante la operación de corte. Evite utilizar hojas de sierra melladas, sin reparar.

2. Comprobación de los tornillos
Los tornillos son peligrosos. Inspecciónelos regularmente y cerciúrese de que estén bien apretados.

⚠ PRECAUCIÓN:

La utilización de una herramienta eléctrica con tornillos flojos es extremadamente peligrosa.

3. Inspección de la escobillas (Fig. 18)
El motor utiliza escobillas de carbón, que son piezas fungibles. Reemplace las escobillas por otras nuevas cuando se hayan desgastado hasta su límite. Mantenga siempre limpias las escobillas para asegurar que se deslicen libremente dentro de los portaescobillas.

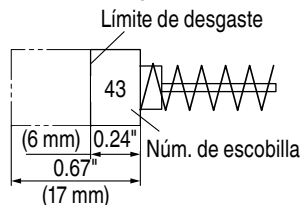


Fig. 18

⚠ PRECAUCIÓN:

La utilización de esa sierra circular con escobillas desgastadas más allá del límite dañará el motor.

NOTA:

Utilice las escobillas HITACHI Núm. 43 indicadas en la Fig. 18.

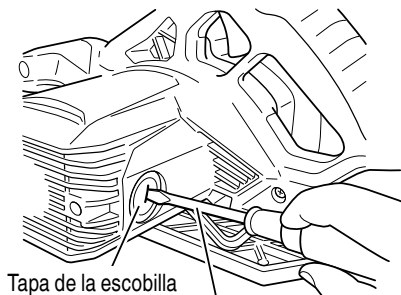
4. Reemplazo de las escobillas

Quite la tapa de la escobilla con un destornillador para cabeza ranurada. La escobilla podrá extraerse fácilmente. (Fig. 19)

5. Comprobación del rendimiento y mantenimiento del protector inferior

Mantenga el protector inferior en buen estado para que funcione correctamente en todo momento.

En caso de mal funcionamiento, repárela inmediatamente.



Tapa de la escobilla
Destornillador para cabeza ranurada

Fig. 19

6. Ajuste de la base y la cuchilla de la sierra para mantener la perpendicularidad

El ángulo entre la base y la cuchilla de la sierra ha sido ajustado a 90°. Sin embargo, si esta perpendicularidad se pierde por cualquier razón, ajústela de la forma siguiente.

(1) Gire la cara de la base hacia arriba (Fig.20), y afloje la palanca (A).

(2) Aplique una escuadra a la base y la cuchilla de la sierra y, girando el tornillo con cabeza hueca hexagonal con una llave de barra hexagonal, desplace la posición de la base hasta conseguir el ángulo recto deseado.

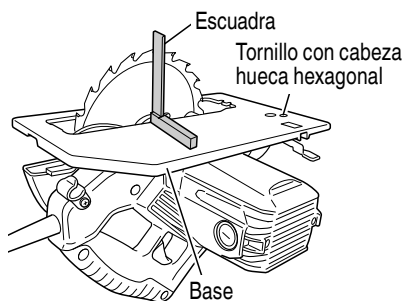


Fig. 20

7. Inspección y mantenimiento del protector inferior

Siempre asegúrese de que el protector inferior se mueve suavemente.

En caso de fallos de funcionamiento, repare el protector inferior inmediatamente.

Para la limpieza y el mantenimiento, utilice una pistola de aire u otra herramienta para limpiar el espacio situado entre el protector inferior y la cubierta del engranaje, así como la parte giratoria del protector inferior, mediante la aplicación de aire seco (Fig. 21).

Esta medida es eficaz contra la emisión de virutas u otras partículas.

La acumulación de virutas u otras partículas alrededor del protector inferior puede resultar en fallos de funcionamiento o daños.

Asegure un movimiento suave del protector inferior Parte giratoria del protector inferior

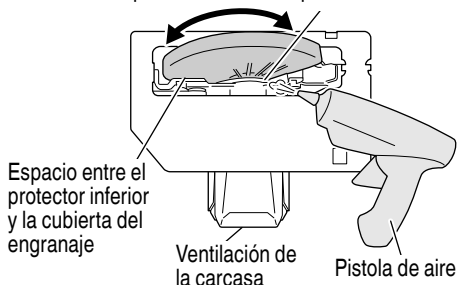


Fig. 21

⚠ ADVERTENCIA:

Para evitar la inhalación de polvo o la irritación de los ojos, utilice gafas de seguridad de protección y una máscara para el polvo al usar una pistola de aire u otra herramienta para limpiar el protector inferior, los orificios de ventilación u otras partes del producto.

8. Lista de repuestos

⚠ PRECAUCIÓN:

La reparación, modificación e inspección de las herramientas eléctricas Hitachi deben ser realizadas por un Centro de Servicio Autorizado de Hitachi.

Esta lista de repuestos será de utilidad si es presentada junto con la herramienta al Centro de Servicio Autorizado de Hitachi para solicitar la reparación o cualquier otro tipo de mantenimiento.

En el manejo y el mantenimiento de las herramientas eléctricas, se deberán observar las normas y reglamentos vigentes en cada país.

MODIFICACIONES:

Hitachi Power Tools introduce constantemente mejoras y modificaciones para incorporar los últimos avances tecnológicos.

Por consiguiente, algunas partes pueden ser modificadas sin previo aviso

ACCESSOIRES

⚠ ADVERTENCIA:

Los accesorios para esta herramienta eléctrica se mencionan en este Manual de instrucciones.
La utilización de otros accesorios puede resultar peligrosa y causar lesiones o daños mecánicos.

NOTA:

Las especificaciones están sujetas a cambio sin ninguna obligación por parte de HITACHI.

ACCESORIOS ESTÁNDAR

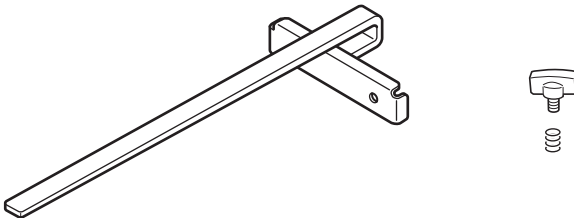
- (1) Cuchilla de la sierra 1

Díá externo	Díá del orificio	Núm. de código
7-1/4" (184 mm)	5/8" (15.9 mm)	115429

- (2) Llave de barra hexagonal 6 mm (Núm de código 872422)..... 1

ACCESORIOS OPCIONALES.....de venta por separado

- (1) Guía (Núm de código 302691) (Comprend (2) et (3).)
 (2) Perno de ajetas (B) (Núm de código 302697)
 (3) Resorte de seguridad (Núm de código 947859)

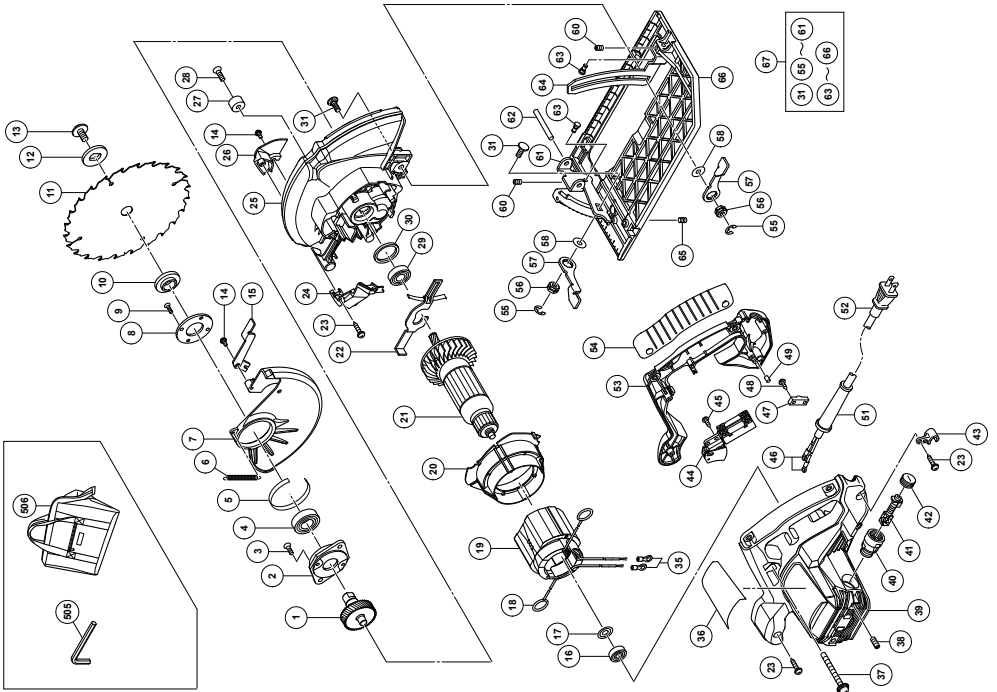


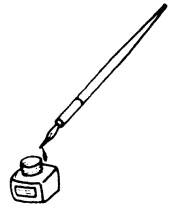
NOTA:

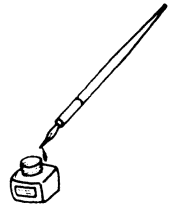
Las especificaciones están sujetas a cambio sin ninguna obligación por parte de HITACHI.

Item No.	Part Name	QTY
37	MACHINE SCREW (W/WASHERS)	3
38	HEX SOCKET SET SCREW M5X12	2
39	HOUSING ASSY	1
40	BRUSH HOLDER	2
41	CARBON BRUSH	2
42	BRUSH CAP	2
43	CORD HOLDER	1
44	SWITCH	1
45	TAPPING SCREW (W/FLANGE) D4X12	1
46	TERMINAL	2
47	CORD CLIP	1
48	TAPPING SCREW (W/FLANGE) D4X16	2
49	BEARING LOCK	1
51	CORD ARMOR	1
52	CORD	1
53	HANDLE COVER	1
54	GRIP COVER	1
55	D10 RETAINING RING	2
56	LOCK NUT	2
57	LEVER	2
58	WASHER M6	2
60	SEAL LOCK HEX. SOCKET SET SCREW M5X6	2
61	BEVEL PLATE	1
62	ROLL PIN D6X50	1
63	STEP PIN D6X13	2
64	LINK	1
65	SLOTTED HD. SET SCREW (SEAL LOCK) M6X8	1
66	BASE	1
67	BASE ASSY	1
505	HEX. BAR WRENCH 6MM	1
506	TOOL BAG	1

Item No.	Part Name	QTY
1	SPINDLE AND GEAR SET	1
2	BEARING HOLDER	1
3	SEAL LOCK FLAT HD. SCREW M5x14	2
4	BALL BEARING 6003VCMPS2L	1
5	BUSHING	1
6	RETURN SPRING	1
7	LOWER GUARD	1
8	BEARING COVER	1
9	SEAL LOCK FLAT HD. SCREW M4x10	2
10	WASHER (A)	1
11	TCT SAW BLADE 185MM	1
12	WASHER (B)	1
13	HEX. SOCKET HD. BOLT M8X15.5	1
14	MACHINE SCREW (W/WASHERS) M4X12	1
15	LEVER	1
16	BALL BEARING 608VVC2PS2L	1
17	WASHER (A)	1
18	BRUSH TERMINAL	1
19	STATOR ASSY	1
20	FAN GUIDE	1
21	ARMATURE ASSY	1
22	LOCK LEVER	1
23	TAPPING SCREW (W/FLANGE) D4X20	7
24	FLOW GUIDE (B)	1
25	GEAR COVER ASSY	1
26	FLOW GUIDE (A)	1
27	CUSHION	1
28	FLAT HD SCREW M6x20	1
29	BALL BEARING 6001VCMPS2L	1
30	RUBBER RING	1
31	BOLT (SQUARE) M6	2
35	TERMINAL M4.0	2
36	NAME PLATE	1







WARNING:

Some dust created by power sanding, sawing, grinding, drilling, and other construction activities contains chemicals known to the State of California to cause cancer, birth defects or other reproductive harm. Some examples of these chemicals are:

- Lead from lead-based paints,
- Crystalline silica from bricks and cement and other masonry products, and
- Arsenic and chromium from chemically-treated lumber.

Your risk from these exposures varies, depending on how often you do this type of work. To reduce your exposure to these chemicals: work in a well ventilated area, and work with approved safety equipment, such as those dust masks that are specially designed to filter out microscopic particles.

AVERTISSEMENT:

La poussière résultant d'un ponçage, d'un sciage, d'un meulage, d'un perçage ou de toute autre activité de construction renferme des produits chimiques qui sont connus par l'Etat de Californie pour causer des cancers, des défauts de naissance et autres anomalies de reproduction. Nous énumérons ci-dessus certains de ces produits chimiques:

- Plomb des peintres à base de plomb,
- Silice cristalline des briques et du ciment et autres matériaux de maçonnerie, et
- Arsenic et chrome du bois d'oeuvre traité chimiquement.

Le risque d'exposition à ces substances varie en fonction de la fréquence d'exécution de ce genre de travail. Pour réduire l'exposition à ces produits chimiques, travailler dans un lieu bien ventilé, et porter un équipement de protection agréé, par exemple un masque anti-poussière spécialement conçu pour filter les particules microscopiques.

ADVERTENCIA:

Algunos polvos creados por el lijado mecánico, el aserrado, el esmerilado, el taladrado y otras actividades de construcción contienen sustancias químicas conocidas por le Estado de California como agentes cancerígenos, defectos congénitos y otros daños reproductores. Algunos ejemplos de estas sustancias químicas son:

- El plomo de las pinturas a base de plomo,
- El sílice cristalino de los ladrillos y cemento y otros productos de mampostería, y
- El arsénico y el cromo de la madera tratada químicamente.

El riesgo resultante de la exposición varía según la frecuencia con que se realiza este tipo de trabajo. Para reducir la exposición a esta sustancias químicas: trabaje en un lugar bien ventilado y realice el trabajo utilizando el equipamiento apropiado, tal como las máscaras para el polvo especialmente diseñados para eliminar las partículas minúsculas.

Issued by

 **Hitachi Koki Co., Ltd.**

Shinagawa Intercity Tower A, 15-1, Konan 2-chome,
Minato-ku, Tokyo 108-6020, Japan

Distributed by

 **Hitachi Koki U.S.A., Ltd.**

1111 Broadway Ave,
Braselton, Georgia, 30517

 **Hitachi Koki Canada Corp.**

450 Export Blvd. Unit B,
Mississauga ON L5S 2A4

707

Code No. C99722362 F
Printed in China