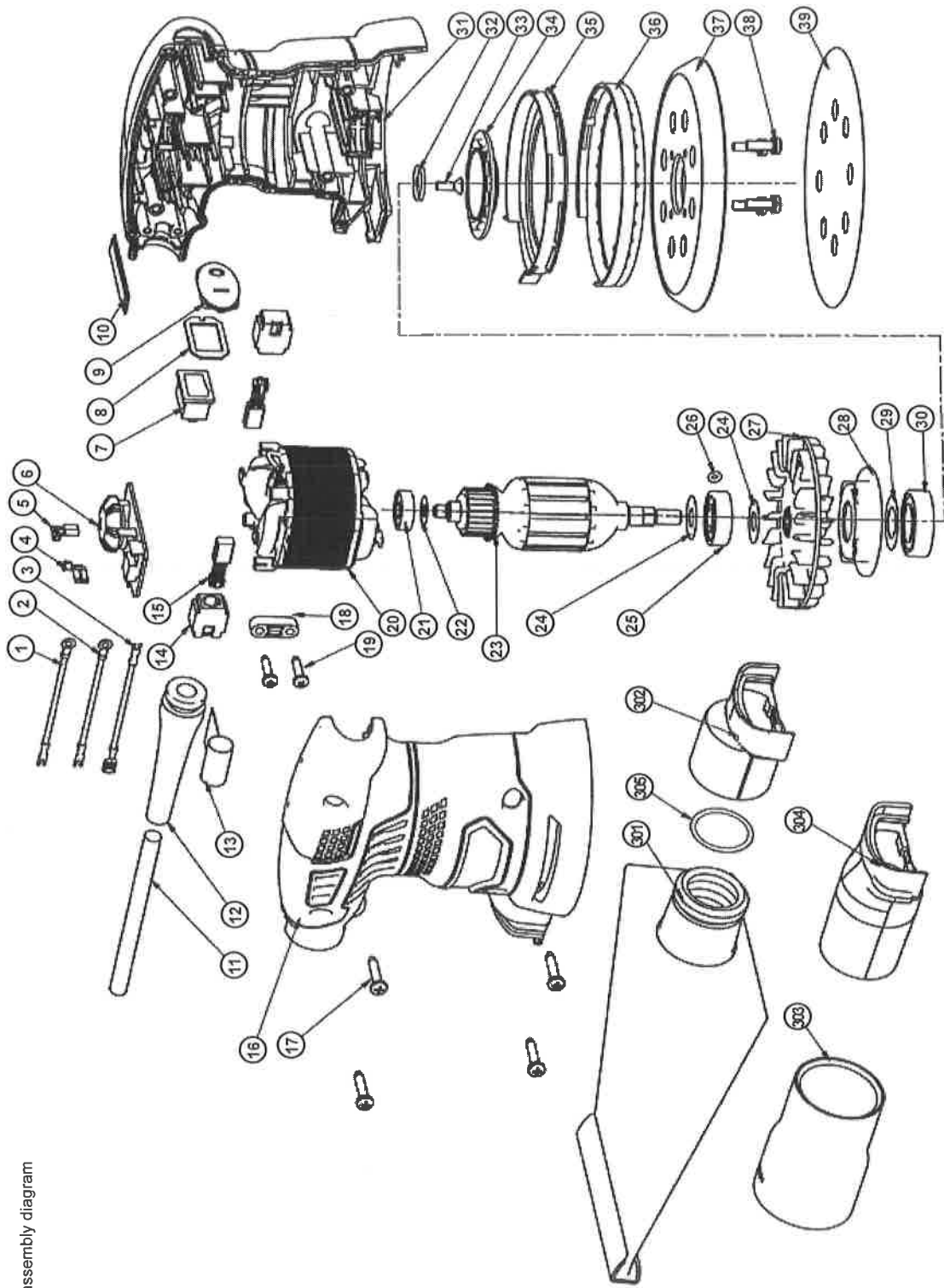


• Exploded assembly diagram



ITEM NO.	CODE NO.	DESCRIPTION	NO. USED	REMARKS
1	371951	INTERNAL WIRE (A)	1	BLUE
2	371952	INTERNAL WIRE (B)	1	BROWN
3	371953	INTERNAL WIRE (C)	1	BROWN
4	371954	TERMINAL (A)	1	
5	371956	TERMINAL (B)	1	
6	371955	CONTROL CIRCUIT ASS'Y	1	120 V
7	371957	SWITCH	1	
8	371958	FIXING BOARD	1	
9	371959	SWITCH COVER	1	
10		MONITORING LABEL	1	
11	371961	CORD	1	FOR USA
12	371962	CORD ARMOR	1	
13		CORD BAND	1	
14	371963	BRUSH HOLDER	2	
15	371964	CARBON BRUSH	2	
16	371968	RIGHT HOUSING ASS'Y	1	
17	371960	TAPPING SCREW 4 X 20	4	
18	371965	CORD CLIP	1	
19	371966	TAPPING SCREW 3.5 X 16	2	
20	371967	STATOR ASS'Y	1	120 V
21	371971	BALL BEARING (626RS)	1	COMMUTATOR SIDE
22	371972	PLAIN WASHER (A)	1	COMMUTATOR SIDE
23	371970	ARMATURE ASS'Y	1	120 V
24	371974	PLAIN WASHER (B)	2	DUST FAN SIDE
25	371973	BALL BEARING (629RS)	1	DUST FAN SIDE
26	371969	O-RING	1	
27	371976	DUST FAN	1	
28	371977	BEARING HOLDER	1	
29	371978	PLAIN WASHER (C)	1	
30	371979	BALL BEARING (6002DDW)	1	6002DDW
31	371983	LEFT HOUSING ASS'Y	1	
32	371980	WASHER	1	
33	371981	SCREW M4 X 12	1	
34	371982	BEARING COVER	1	
35	371984	FAN GUIDE	1	
36	371985	BRAKE RING	1	
37	371986	BASE PAD	1	
38	371987	M4 SCREW	1	
39		SANDING PAPER #120	2	
301	371871	DUST BAG ASS'Y	1	
302	371873	DUST BAG ADAPTER	1	
303	371874	ADAPTER	1	
304	371875	VACUUM ADAPTER	1	
305	372804	O-RING	1	NBR